



## Electronic Service Manuals

This electronic document is provided as a service to our customers. We do not create the contents of the information contained in this document. Should you have detailed questions pertaining to the information contained in this document, you may contact Michco, or the manufacturer which provided the original information in this electronic deliverable. Michco's only part in this electronic deliverable was the electronic assembly process. By providing this manual on line we are not guaranteeing parts availability.

You may contact Michco through the following methods:

Phone (517) 484-9312 or (800) 331-3339

2011 N. High St. -- Lansing, Michigan -- 48906

Fax: (517) 484-9836

Email: [CustServe@Michco.com](mailto:CustServe@Michco.com)

Web site: [www.Michco.Com](http://www.Michco.Com)

Parts Web site: [www.FloorMachineParts.Com](http://www.FloorMachineParts.Com)

Order Parts on Line at:

**[www.FloorMachineParts.Com](http://www.FloorMachineParts.Com)**

Directly to Parts & Service:

By Email: **[Shop@Michco.com](mailto:Shop@Michco.com)**

By Fax: (517) 702-2041

By Voice: Use numbers above.

**Serving the Cleaning Industry Since 1922**

Notice: All copyrighted material remains property of original owners, all trademarks are property of respective owners. Manuals are subject to Manufacturer's reproduction limitations. Originals or reproductions were provided by manufacturers through a request. We make no warranty as to the correctness of information provided in this document and you assume all risk. By placing these manuals on line we are not declaring our corporation to be an manufacturer authorized dealer or provider, please check our web site for authorized manufacturers we represent.



645 E. 7th ST., ST. PAUL, MINN. 55106  
 TELEPHONE (612) 771-5581 TELEX NO. 29-7403

CARPET-VAC  
 AMERICAN MODEL CV-14  
 EUROPEAN MODEL ECV-14

(NOTE: FOR CARPET-VAC'S WITH SERIAL #1370 AND UP)

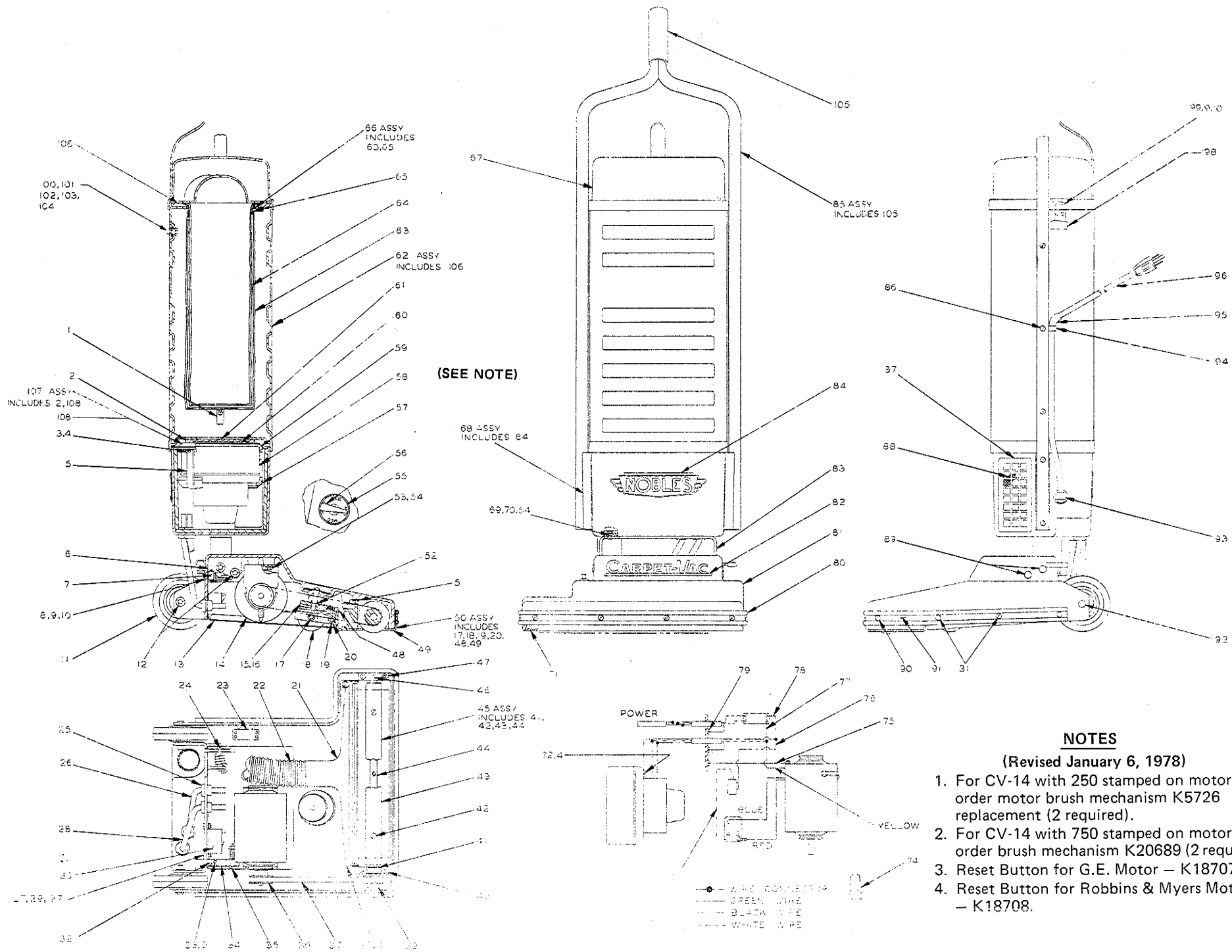
FORM 118-4751M  
 PARTS BREAKDOWN  
 EFFECTIVE DECEMBER 8, 1975  
 REVISED SEPTEMBER 24, 1976  
 (See Form No. 200 For Prices)  
 E.E.O. EMPLOYER M/F

No.	To Order Use Part No.	Qty	Description
1	B12514	2	Case Holder Strip
2	A12492	1	Case Gasket
3	K2789-6	4	Fill. Hd. Machine Screw
4	K2964-10	7	Shakeproof Lockwashers
5	A3981	4	Brackets
6	A12699	1	Switch Insulator
7	K12463	1	Brush Switch
8	K3067-14	2	Pan Hd. Machine Screw
9	K2964-04	12	Shakeproof Lockwashers
10	K12563	10	Hex Nuts
11	K4109	2	Wheels
12	K12482	5	Push on Nuts
13	C12522	1	Pan
14	K12468	1	Brush Motor - American Model
	K12946	1	Brush Motor - European Model
15	A12455	1	Cam
16	K12565-8	1	Cam Set Screw
17	K12798-19	4	Pin
18	K12450	4	Wheel
19	K12481	4	Push on Nuts
20	C12499	1	Wheel Adjustment Bracket
21	C12517	1	Vacuum Tool
22	B12469	1	Vacuum Hose
23	K12462	1	Vacuum Motor Switch
24	A12478	1	Yoke Spring
25	K6388	4	Heyco Strain Reliever
26	A12714	1	Power Lead
27	K12716-8	2	Pan Hd. Machine Screw
28	A12715	1	Motor Lead
29	K3069	2	Hex Nut
30	K12576	1	Relay - American Model
	K13330	1	Relay - European Model
31	K4770-8	4	Pan Hd. Machine Screw
32	A12472	1	Switch Lever
33	K3067-4	2	Pan Hd. Machine Screw
34	A12500	1	Foot Lever
35	A12476	1	Foot Lever Spring
36	A12690	1	Motor Pulley
37	K12570	1	Timing Belt
38	K723-10	2	Rd. Hd. Machine Screw
39	A12691	1	Brush Pulley
40	B12446	1	Inside Bearing Block
41	K12461	2	Bearings
42	K4770-8	6	Pan Hd. Machine Screw
43	C12427	1	Brush
44	B12448	1	Brush Shaft
45	C12567	1	Assy. Brush (Includes 41, 42, 43, 44)
46	K12583	2	Bearing Plugs
47	B12447	1	Outside Bearing Block
48	A12479	1	Wheel Adjustment Spring
49	D12442	1	Shoe
50	D12521	1	Assy. Shoe & Wheels (Includes 17, 18, 19, 20, 48, 49)
51	A12677	1	Gasket Material
52	K12467	2	"O" Ring
53	K2998-4	4	Hex Hd. Cap Screw

PRICE ON REQUEST

No.	To Order Use Part No.	Qty	Description
54	K2964-14	8	Shakeproof Lockwashers
55	A12453	1	Indicator Decal
56	A12519	1	Indicator and Pin
57	B3980	1	Motor Support
58	K5714	1	Motor
	K12947	1	Motor- European Model
59	VM-10	2	Motor Seats
60	B12484	1	Filter Support
61	A12486	1	Secondary Filter
62	D12511	1	Assy Vacuum Case (Includes 106)
63	C12414	1	Cloth Filter Bag
64	C12413	6	Paper Filter Bags (6 Per Package)
65	C12489	1	Cloth Filter Bag Retainer
66	C12671	1	Assy. Cloth Bag (Includes 63, 65)
67	C12528	1	Dome
68	D12524	1	Assy Motor Housing (Includes 84)
69	K12908-10	4	Oval Hd. Machine Screw
70	K12909	4	Hex Nuts
71	K12512-32	4	Flat Hd. Machine Screws
72	K5114-6	1	Pan Hd. Thd. Cutting Screw
73	A12574	1	Relay Switch Wire (White)
74	K3088	7	Wire Connectors
75	A5064	1	Ground Wire (Green)
76	A12573	1	Brush Switch Wire (Black)
77	A12572	1	Switch Wire (White)
78	A12571	1	Switch Wire (Black)
79	K2820-4	3	Rd. Hd. Machine Screws
80	C12566	1	Bumper
81	E12438	1	Base Casting
82	B12428	1	Decal
83	C12475	1	Yoke
84	B6742	1	Nobles Decal
85	D12488	1	Assy Handle (Includes 105)
86	K5090-20	10	Oval Hd. Machine Screw
87	B12523	2	Filter Frames
88	A12487	2	Final Filters
89	K12452-16	3	Pins
90	K4770-6	10	Pan Hd. Machine Screw
91	D12540	1	Bumper Retainer
92	K12452-15	2	Pins
93	K12713	1	Heyco
94	A12493	1	Cord Clamp
95	A12712	1	Vinyl Tubing Cord Protector
96	B12703	1	50 Ft. Power Cord
97	K2964-06	2	Shakeproof Lockwasher
98	K12465	2	Case and Cover Latch
99	K12580-8	8	Flat Hd. Socket Cap Screws
100	K5154	2	Cap Nut
101	A12627	1	Vacuum Slide
102	A12628	2	Spacers
103	K6306-4	2	Washers
104	K2998-5	2	Hex Hd. Cap Screw
105	K18244	1	Handle Grip
106	C12477	1	Cover Gasket
107	C12516	1	Assy Motor Mount (Includes 2, 108)
108	C12595	1	Motor Mount

PRICE ON REQUEST



**NOTES**

(Revised January 6, 1978)

1. For CV-14 with 250 stamped on motor, order motor brush mechanism K5726 replacement (2 required).
2. For CV-14 with 750 stamped on motor, order brush mechanism K20689 (2 required).
3. Reset Button for G.E. Motor - K18707.
4. Reset Button for Robbins & Myers Motor - K18708.