



Electronic Service Manuals

This electronic document is provided as a service to our customers. We do not create the contents of the information contained in this document. Should you have detailed questions pertaining to the information contained in this document, you may contact Michco, or the manufacturer which provided the original information in this electronic deliverable. Michco's only part in this electronic deliverable was the electronic assembly process. By providing this manual on line we are not guaranteeing parts availability.

You may contact Michco through the following methods:

Phone (517) 484-9312 or (800) 331-3339

2011 N. High St. -- Lansing, Michigan -- 48906

Fax: (517) 484-9836

Email: CustServe@Michco.com

Web site: www.Michco.Com

Parts Web site: www.FloorMachineParts.Com

Order Parts on Line at:

www.FloorMachineParts.Com

Directly to Parts & Service:

By Email: **Shop@Michco.com**

By Fax: (517) 702-2041

By Voice: Use numbers above.

Serving the Cleaning Industry Since 1922

Notice: All copyrighted material remains property of original owners, all trademarks are property of respective owners. Manuals are subject to Manufacturer's reproduction limitations. Originals or reproductions were provided by manufacturers through a request. We make no warranty as to the correctness of information provided in this document and you assume all risk. By placing these manuals on line we are not declaring our corporation to be an manufacturer authorized dealer or provider, please check our web site for authorized manufacturers we represent.

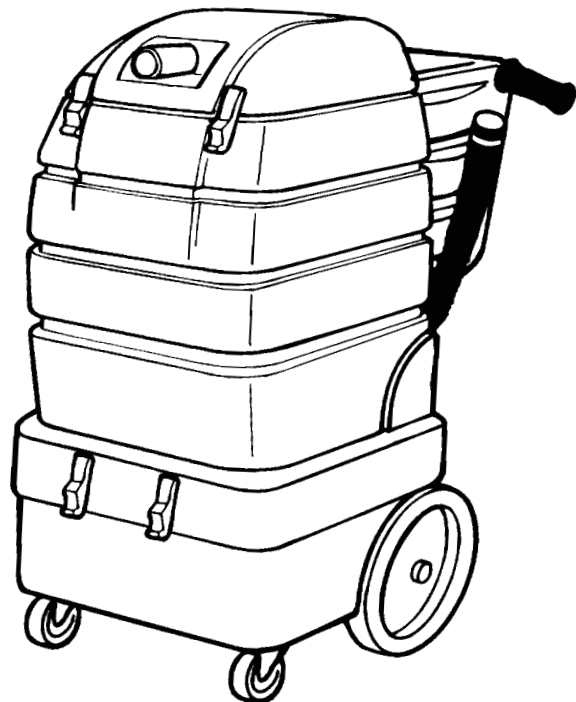


Typhoon™ 16B

Wet/Dry Battery Vacuum
Batería en aspiración húmeda/seca

Model No.:
608817
608818 – PAC

Operator and Parts Manual
Manual del Operador y Piezas



TENNANT COMPANY
701 NORTH LILAC DRIVE
MINNEAPOLIS, MN 55422

MAILING ADDRESS:
TENNANT COMPANY
P.O. BOX 1452
MINNEAPOLIS, MN 55440-1452

NOBLES CUSTOMER SERVICE:
1-800-365-6625

FAX: 1-800-678-4240

TECHNICAL SUPPORT:
1-800-522-7839 EXT. 5356

608819
Rev. 01 (10-03)

OPERATION

This manual is furnished with each new machine. It provides necessary operation and maintenance instructions and an illustrated parts list.

Read this manual completely and understand the machine before operating or servicing it.

Use the illustrated Parts List to order replacement parts. Before ordering parts or supplies, be sure to have your machine model number and serial number available. Parts and supplies may be ordered by phone or mail from any authorized parts and service center, distributor or from any of the manufacturer's subsidiaries.

This machine will provide excellent service. However, the best results will be obtained at minimum costs if:

- The machine is operated with reasonable care.
- The machine is maintained regularly - per the machine maintenance instructions provided.
- The machine is maintained with manufacturer supplied or equivalent parts.

MACHINE DATA

Please fill out at time of installation for future reference.

Model No.- _____

Install. Date - _____

Serial No.- _____

©1999, 2003 Tennant Company

Printed in the U.S.A.

Nobles is a registered United States trademark of Tennant Company.

Typhoon is a United States trademark of Tennant Company.

TABLE OF CONTENTS


SAFETY PRECAUTIONS	3	TRANSPORTING MACHINE	12
WARNING LABELS	4	STORING MACHINE	13
MACHINE COMPONENTS	5	RECOMMENDED STOCK ITEMS	13
MACHINE INSTALLATION	6	TROUBLE SHOOTING	13
UNCRATING MACHINE	6	MACHINE SPECIFICATIONS	14
INSTALLING BATTERIES	6	MACHINE DIMENSIONS	14
ATTACHING OPTIONAL SQUEEGEE KIT ..	6	ELECTRICAL DIAGRAM	29
MACHINE SETUP	8	PARTS LIST	30
WET VACUUMING	8	TANK GROUP	30
DRY VACUUMING	8	BASE GROUP	32
MACHINE OPERATION	8	OPTIONS	34
VACUUM MOTOR THERMAL PROTECTOR	8	SQUEEGEE KIT ASSEMBLY	34
OPERATING ACCESSORY TOOLS	9	WET/DRY TOOL KIT	36
OPERATING SQUEEGEE KIT OPTION	9	DRY TOOL KIT	37
DRAINING RECOVERY TANK	9	FLOOR & CARPET TOOL KIT	38
CHARGING BATTERIES	10	WET PICK-UP TOOL KIT	39
MACHINE MAINTENANCE	11		
DAILY MAINTENANCE	11		
WEEKLY MAINTENANCE	11		
MONTHLY MAINTENANCE	11		
QUARTERLY MAINTENANCE	11		
BATTERY MAINTENANCE	12		

SAFETY PRECAUTIONS

This machine is intended for commercial use. It is designed for wet/dry vacuuming in an indoor environment and is not constructed for any other use. Use only recommended accessory tools.

All operators must read, understand and practice the following safety precautions.

The following warning alert symbol and the "FOR SAFETY" heading are used throughout this manual as indicated in their description:

 **WARNING:** To warn of hazards or unsafe practices which could result in severe personal injury or death.

FOR SAFETY: To identify actions which must be followed for safe operation of equipment.

Failure to follow these warnings may result in: personal injury, electrocution, electrical shock, fire or explosion.

 **WARNING:** Do Not Operate Machine In Or Near Flammable Liquids, Vapors Or Combustible Dusts.

This machine is not equipped with an explosion proof motor. The electric motor will spark upon start up and during operation which could cause a flash fire or explosion if machine is used in an area where flammable vapors/liquids or combustible dusts are present.

 **WARNING:** Do Not Pick Up Flammable Or Toxic Materials, Burning Or Smoking Debris.

 **WARNING:** Keep Sparks And Open Flame Away. Keep Battery Hood Open When Charging.

 **WARNING:** Disconnect Battery Cables Before Servicing Machine.

The following information signals potentially dangerous conditions to the operator or equipment:

FOR SAFETY:

1. Do not operate machine:
 - With flammable liquids or near flammable vapors as an explosion or flash fire may occur.
 - Unless trained and authorized.
 - Unless operator manual is read and understood.
 - In standing water.
 - If not in proper operating condition.
 - Without bag and/or filters in place.
2. Before operating machine:
 - Make sure all safety devices are in place and operate properly.
3. When using machine:
 - Do not pick up burning or smoking debris, such as cigarettes, matches or hot ashes.
 - Never allow children to play on or around.
 - Report machine damage or faulty operation immediately.
4. Before leaving or servicing machine:
 - Stop on level surface.
 - Turn machine off.
5. When servicing machine:
 - Disconnect battery connections before working on machine.
 - Wear protective gloves and safety glasses when handling batteries or battery cables.
 - Avoid contact with battery acid.
 - Use manufacturer supplied or approved replacement parts.
 - All repairs must be performed by a qualified service person.
 - Do not modify the machine from its original design.
6. When transporting machine:
 - Turn machine off.
 - Do not lift machine when batteries are installed.
 - Get assistance when lifting machine.
 - Use a recommended ramp when loading/unloading into/off truck or trailer.
 - Use tie-down straps to secure machine to truck or trailer.

OPERATION

WARNING LABELS

The warning labels appear on the machine in the locations indicated. Replace labels if they become damaged or illegible.



WARNING LABEL –
LOCATED ON TOP OF MACHINE.

⚠ WARNING

FAILURE TO FOLLOW THESE WARNINGS MAY RESULT IN: PERSONAL INJURY, ELECTROCUTION, ELECTRICAL SHOCK, FIRE OR EXPLOSION.

-   Do Not Operate Machine In Or Near Flammable Liquids, Vapors Or Combustible Dusts.
-   Do Not Pick Up Flammable Or Toxic Materials, Burning Or Smoking Debris.
-   Keep Sparks And Open Flame Away. Keep Battery Hood Open When Charging.
-   Disconnect Battery Cables Before Servicing Machine.

613290

 **FOR SAFETY: READ THE OWNER'S MANUAL BEFORE USING MACHINE.**

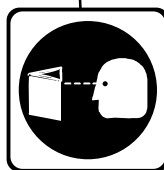
WARNING LABEL –
LOCATED ON BACK SIDE OF MACHINE.



⚠ WARNING: FAILURE TO FOLLOW THESE WARNINGS MAY RESULT IN: PERSONAL INJURY, ELECTROCUTION, ELECTRICAL SHOCK, FIRE OR EXPLOSION.

Do Not Operate Machine In Or Near Flammable Liquids, Vapors Or Combustible Dusts.

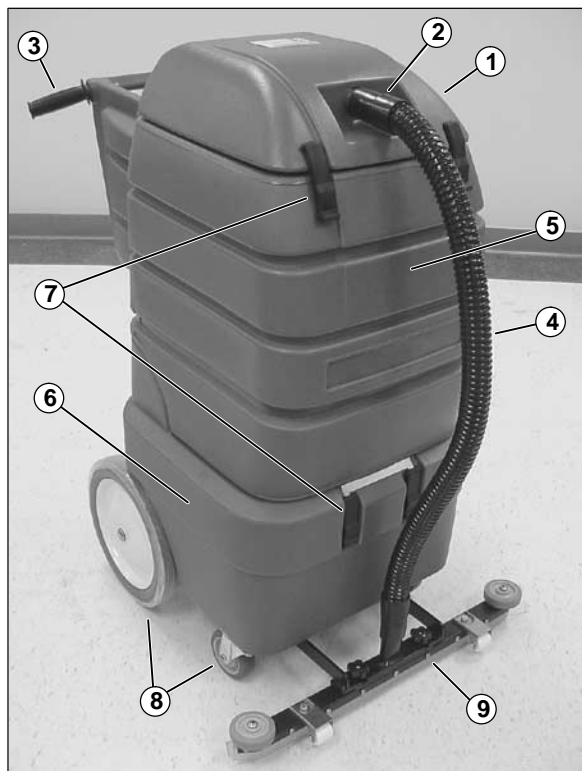
Do Not Pick Up Flammable Or Toxic Materials, Burning Or Smoking Debris.



FOR SAFETY LABEL –
LOCATED ON BACK
SIDE OF MACHINE.

FOR SAFETY:
Read the owner's manual
before using machine.

MACHINE COMPONENTS



- 1. Bag Compartment Cover
- 2. Vacuum Hose Snout
- 3. Control Grips
- 4. 109 cm (43 in) Vacuum Hose
- 5. Vacuum Bag Compartment / Recovery Tank
- 6. Battery Compartment
- 7. Compartment Latches
- 8. Swivel Casters & 300 mm (12 in) Rear Wheels
- 9. Squeegee Kit (Optional)



- 10. Machine ON/OFF Switch
- 11. Drain Hose
- 12. Squeegee Kit Lift Pedal (Optional)
- 13. Charger Plug
- 14. 3 m (10 ft) Vacuum Hose

OPERATION

MACHINE INSTALLATION

UNCRATING MACHINE

Carefully check carton for signs of damage. Report damages at once to carrier.

Check Machine Contents to ensure package is complete. Contact distributor for missing items.

Machine Contents:

- 1 – Battery Cable #130364
- 4 – Battery Post Caps #45962
- 2 – Red Battery Boots #611222
- 2 – Black Battery Boots #611221
- 1 – 3m (10 ft) Vacuum Hose #160481
- 1 – 109 cm (43 in) Vacuum Hose #160630
- 1 – Paper Bag #611785
- 1 – Cloth Bag #900105
- 2 – 12VDC 105AH Batteries #578426 (included with machine PAC #607623)
- 1 – Battery Charger, 24DC/12A 120V #603553 (included with machine PAC #607623)

NOTE: Squeegee and Accessory Tools Kits are optional, they must be ordered separately (See **OPTIONS** section).

INSTALLING BATTERIES

NOTE: If planning to install Optional Squeegee Kit, wait to install the batteries until kit is installed (See **ATTACHING OPTIONAL SQUEEGEE KIT**).

⚠ WARNING: Keep Sparks And Open Flame Away. Keep Battery Hood Open When Charging.

FOR SAFETY: When servicing machine, wear protective gloves and safety glasses when handling batteries or battery cables. Avoid contact with battery acid.

Recommended Battery Specifications:

Two 12 volt 105/130 amp hour deep cycle batteries. Maximum battery dimensions are 340 mm (13.5 in) L x 180 mm (7 in) W x 250 mm (10 in) H.

1. Turn ON/OFF switch to off.

ATTENTION: Make sure tanks are empty before opening.

2. Open battery compartment, unlatch lower latches and carefully tilt upper housing backwards to floor. Remove loose battery cables at bottom of compartment (Figure 1).



FIG. 1

3. Carefully install batteries into compartment and arrange battery posts as shown. Connect the battery cables to the battery posts as shown, RED TO POSITIVE & BLACK TO NEGATIVE. Use the battery post covers and rubber boots supplied (Figure 2).

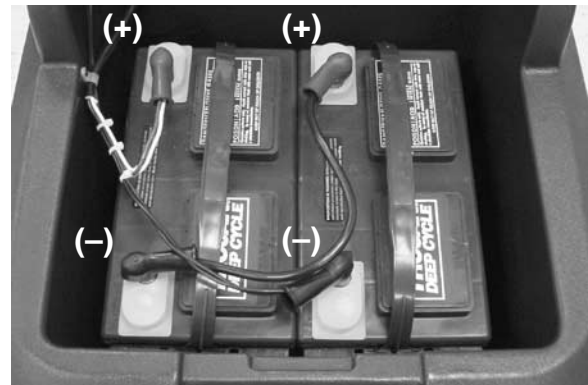


FIG. 2

ATTENTION: Do not drop batteries into compartment. Battery and machine housing damage may result.

4. Apply a light coating of non-metallic grease or protective spray on the cable connections to prevent battery corrosion.

ATTACHING OPTIONAL SQUEEGEE KIT

NOTE: Kit installation is made easy if batteries are not installed. However, kit can be installed with batteries in place.

1. Remove vacuum bags and/or empty recovery tank.
2. Tip machine on backside – **only if batteries are removed from machine.**

3. Remove two unused squeegee mounting screws from bottom of machine.
4. Install squeegee mounting bracket as shown. Secure with screw and washers that you removed (Figure 3).

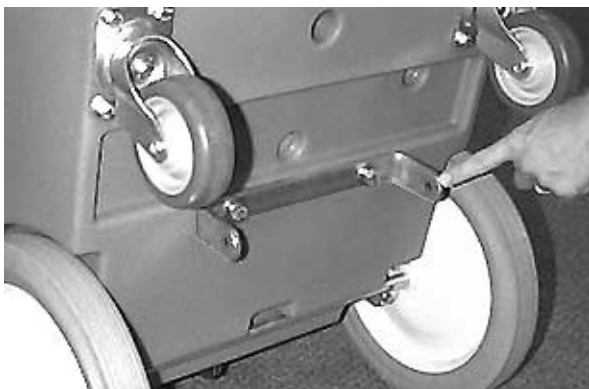


FIG. 3

5. Fasten squeegee bracket to mounting bracket. Use two (2) clevis and cotter pins provided (Figure 4).



FIG. 4

6. Stand machine upright.
7. Insert spacer through hole in pedal then position pedal between two holes in squeegee bracket. Secure with hardware provided (Figure 5).

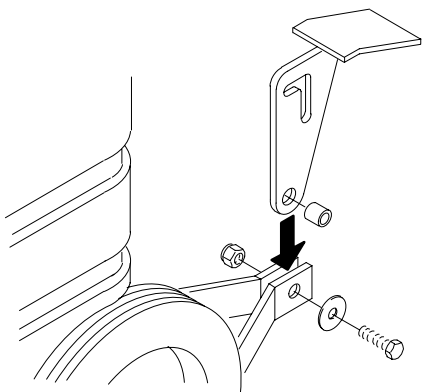


FIG. 5

8. Slide pedal between the two mounting arms on back of machine. Align and insert clevis pin through arms and slot in pedal, secure with cotter pin (Figure 6).



FIG. 6

9. Attach squeegee assembly to bracket as shown and secure with two thumb screws (Figure 7).

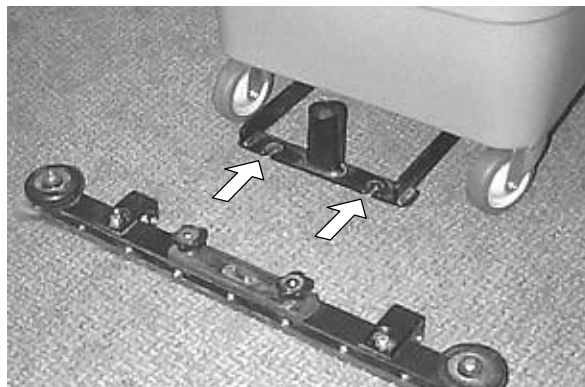


FIG. 7

10. Connect the 1090 mm (43 in) vacuum hose to the squeegee assembly and to cover snout (Figure 8).

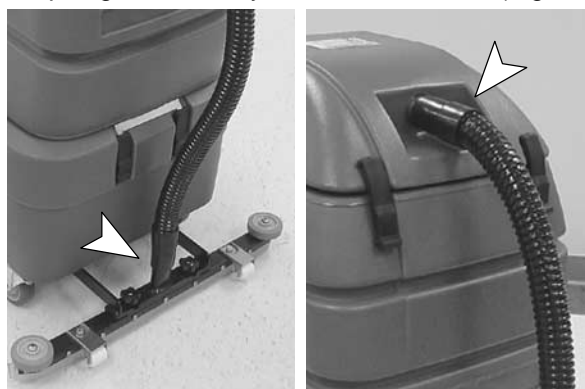


FIG. 8

OPERATION

MACHINE SETUP

WET VACUUMING

1. Open machine cover and remove vacuum bag from recovery tank (Figure 9).



FIG. 9

2. Make sure automatic float shut-off screen is in place (Figure 10).



FIG. 10

ATTENTION: To prevent vacuum motor damage, automatic float shut-off screen must be in place.

DRY VACUUMING

1. Open machine cover and install cloth filter bag, make sure that the bag edge is properly seated on compartment rim (Figure 11).

For easy debris disposal and to increase the life of cloth filter bag, use a paper vacuum bag with the cloth bag. Place the paper bag inside of cloth bag and tuck the top of paper bag around outside rim of cloth bag. Never use paper bag without cloth filter bag in place. Do not reuse paper bags – always dispose.

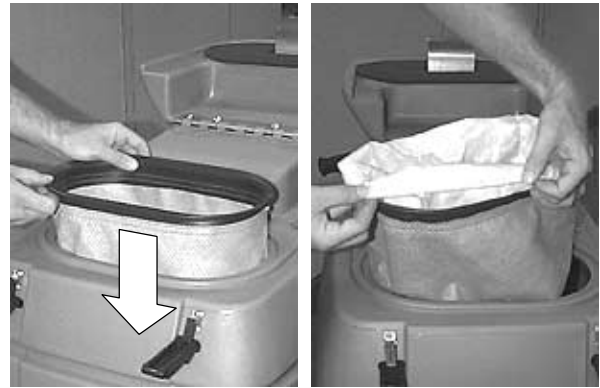


FIG. 11

ATTENTION: Always make sure that a bag is in place before dry vacuuming. Operating machine without bag in place will damage vacuum motor. This damage is NOT covered by warranty.

2. Close cover and fasten latches.
3. Leave automatic float shut-off screen in place when dry vacuuming. It can provide limited vacuum motor protection for a faulty bag.

MACHINE OPERATION

FOR SAFETY: Do not operate machine unless operator manual is read and understood.

⚠ WARNING: Do Not Operate Machine In Or Near Flammable Liquids, Vapors Or Combustible Dusts.

⚠ WARNING: Do Not Pick Up Flammable Or Toxic Materials, Burning Or Smoking Debris.

VACUUM MOTOR THERMAL PROTECTOR

The vacuum motor is thermally protected by a temperature sensor device. It will trip if motor has an overload. If motor should quit, wait 20 minutes for motor to cool and remove obstruction before continuing.

OPERATING ACCESSORY TOOLS

1. Connect 3m (10 ft) vacuum hose to machine cover snout.
2. Select desired accessory tool and connect to vacuum hose (Figure 12).



FIG. 12

3. Activate ON/OFF switch and operate accessory tool as normal.
4. During DRY vacuuming, check bag periodically for fullness. For best suction performance, empty bag at 3/4 full.

During WET vacuuming, the float shut-off screen will automatically stop water intake when recovery tank becomes full (See DRAINING RECOVERY TANK).

ATTENTION: If you are vacuuming up liquids that may cause foaming inside recovery tank, use a quality defoamer chemical to eliminate the foam. Foam will NOT shut off automatic float and will damage vacuum motor. Damage due to foam is NOT covered by warranty.

OPERATING SQUEEGEE KIT OPTION

1. Lower squeegee to floor, lightly kick the pedal forward to release from transport position (Figure13).



FIG. 13

2. Activate the ON/OFF switch.
3. Begin operating by pushing and pulling machine in either direction.
4. During operation, the float shut-off screen will automatically stop water intake when recovery tank becomes full (See DRAINING RECOVERY TANK).

ATTENTION: If you are vacuuming up liquids that may cause foaming inside recovery tank, use a quality defoamer chemical to eliminate the foam. Foam will NOT shut off automatic float and will damage vacuum motor. Damage due to foam is NOT covered by warranty.

5. To raise squeegee, step downward on pedal until pedal engages in the transport position (Figure 14).



FIG. 14

NOTE: Squeegee Kit can be used to pick up fine particles (dust, sand, sawdust, etc...). The squeegee is not recommended for ordinary dry pick up.

DRAINING RECOVERY TANK

1. Push machine to nearest floor drain, if not available use a bucket to drain machine.
2. Remove drain hose from holder and twist off drain hose cap and drain. Raise hose to stop flow of water (Figure15).



FIG. 15

OPERATION

3. After draining recovery tank, open cover and thoroughly rinse out tank with clean water.
4. Replace drain hose knob securely and return to holder.

ATTENTION: Be certain drain hose knob is secure to prevent suction loss.

CHARGING BATTERIES

To prolong battery life, **ONLY** recharge batteries after a total of 30 minutes or more of use.

The following charging instructions are intended for supplied 24V chargers only. Use a charger with the following specifications to prevent battery damage.

CHARGER SPECIFICATIONS:

- OUTPUT VOLTAGE - 24 VOLTS
- OUTPUT CURRENT - 15 AMPS
- AUTOMATIC SHUTOFF CIRCUIT
- FOR DEEP CYCLE BATTERY CHARGING

ATTENTION: Do not continue to run machine when pick-up performance begins to decrease, battery damage may result.

⚠ WARNING: Keep Sparks And Open Flame Away. Keep Battery Hood Open When Charging.

FOR SAFETY: When servicing machine, wear protective gloves and safety glasses when handling batteries or battery cables. Avoid contact with battery acid.

1. Turn On/Off switch to off.
2. Push the machine to a flat, dry surface in a well-ventilated area for charging.
3. Open battery compartment. Unlatch lower latches at front of machine and carefully tilt upper housing backwards to floor (Figure 16).

NOTE: Make sure to drain the tank prior to accessing the batteries.



FIG. 16

4. Before charging, check the fluid level (A) in each battery cell. If the battery plates (B) are exposed, add just enough distilled water to cover plates. **DO NOT OVERFILL.** Overfilled batteries can overflow during charging due to fluid expansion. Replace cell caps before charging (Figure 17).

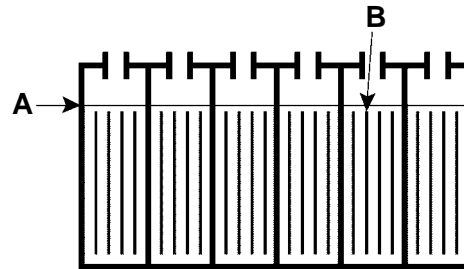


FIG. 17

5. With the charger's power supply cord unplugged, connect the battery charger into the machine's charging receptacle as shown (Figure 18).



FIG. 18

6. Plug the charger's power supply cord into a grounded wall outlet (Figure 19).

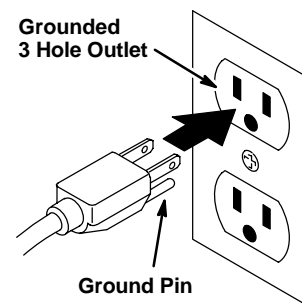


FIG. 19

FOR SAFETY: Do not operate charger unless cord is properly grounded.

⚠ WARNING: Keep Sparks And Open Flame Away. Keep Battery Hood Open When Charging.

NOTE: Once the charger is connected, the machine will become inoperable.

7. The charger will automatically begin charging and shut off when fully charged.
8. When disconnecting charger, always unplug charger from wall outlet first.
9. After charging, recheck the battery fluid level (A) in each battery cell. The level should be 1 cm (3/8 in) from the bottom of sight tubes (B) (Figure 20). Add distilled water if needed. **DO NOT OVERFILL.**

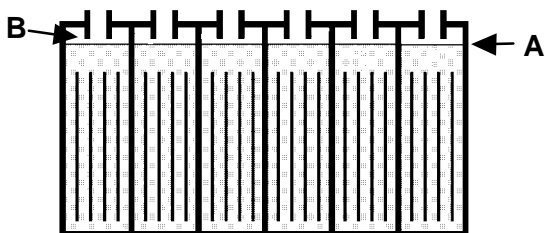


FIG. 20

MACHINE MAINTENANCE

To keep machine in good working condition, simply follow machine's daily, weekly and monthly maintenance procedures.

FOR SAFETY: When servicing machine, disconnect battery connections before working on machine.

DAILY MAINTENANCE (Every 4 Hours of Use)

1. Drain and rinse out recovery tank after wet vacuuming.
2. Remove and rinse off the float shut-off screen located in recovery tank (Figure 21).



FIG. 21

ATTENTION: Always have float shut-off screen in place before operating. During wet operation, the float shut-off screen protects the vacuum motor from water. During dry vacuuming, the float shut-off screen can provide limited protection for a faulty filter bag.

3. Clean squeegee blades with a cloth. Replace blades when they become worn.
4. Check bag for fullness, empty bag at 3/4 full.
5. Clean machine with a non-abrasive, non-solvent cleaner.
6. Recharge batteries if needed (See CHARGING BATTERIES).
7. Inspect vacuum hose regularly for holes, loose cuff or clogged debris.

WEEKLY MAINTENANCE (Every 20 Hours of Operation)

1. Check the fluid level in each battery cell (See BATTERY MAINTENANCE).
2. Clean battery tops to prevent corrosion (See BATTERY MAINTENANCE).
3. Check for loose or corroded battery cables.

MONTHLY MAINTENANCE (Every 80 Hours of Operation)

1. To maintain maximum performance, wash cloth filter bag by hand with a mild detergent. Let bag dry thoroughly before replacing.
2. Lubricate wheels and front swivel casters with a water resistant oil.
3. Check machine for loose nuts and bolts.

QUARTERLY MAINTENANCE (Every 250 Hours of Operation)

Check motor for carbon brush wear. Replace brushes when worn to a length of 10 mm (0.38 in) or less.

Contact an Authorized Service Center for carbon brush inspection.

FOR SAFETY: When servicing machine all repairs must be performed by a qualified service person.

OPERATION

BATTERY MAINTENANCE

⚠ WARNING: Keep Sparks And Open Flame Away. Keep Battery Hood Open When Charging.

FOR SAFETY: When servicing machine, wear protective gloves and safety glasses when handling batteries or battery cables. Avoid contact with battery acid.

1. Always follow proper charging instructions (See CHARGING BATTERIES).
2. Check fluid level (A) in each battery cell. The fluid level should be 1 cm (3/8 in.) from the bottom of sight tubes after charging. Add distilled water if needed. **DO NOT OVERFILL.** Overfilled batteries can overflow during charging due to fluid expansion (Figure 22).

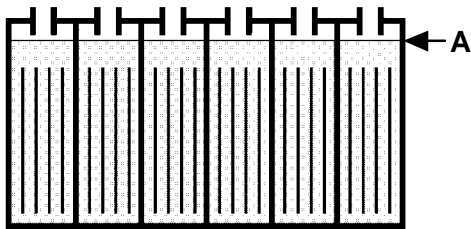


FIG. 22

3. After charging batteries, measure the specific gravity in each battery cell using a hydrometer (Figure 23). This will determine the charge level and condition of the batteries. If one or more of the battery cells test lower than the other battery cell (0.050 or more), the cell is damaged, shortened, or is about to fail.

NOTE: Do not take reading immediately after adding distilled water. The water and acid must be thoroughly mixed in order for accurate reading.



FIG. 23

SPECIFIC GRAVITY at 27°C (80°F)	BATTERY CHARGE
1.265	100% CHARGED
1.223	75% CHARGED
1.185	50% CHARGED
1.148	25% CHARGED
1.110	DISCHARGED

NOTE: Add or subtract 0.004 gravity reading for each 6° C (10° F) above or below 27° C (80° F).

4. Keep battery tops and terminals clean and dry.
 - a. Mix a strong solution of baking soda and water.
 - b. Brush solution sparingly over battery tops, terminal and cable connectors.

NOTE: Do not allow baking soda solution to enter battery cells.

 - c. Use wire brush to clean terminal post and cable connections.
 - d. After cleaning, apply a coating of clear battery post protectant to terminals and cable connections.
5. Check for loose or worn cables. Replace if worn.

TRANSPORTING MACHINE

When transporting machine by use of trailer or truck, be certain to follow tie-down procedures below:

FOR SAFETY: When using machine, go slow on inclines and slippery surfaces.

1. Load the machine using a recommended loading ramp.
2. Position the front of machine up against the front of the trailer or truck.
3. Place a block behind each rear wheel to prevent machine from rolling.
4. Place tie-down straps over top of machine to prevent it from tipping. It may be necessary to install tie-down brackets to the floor of your trailer or truck.

FOR SAFETY: When transporting machine, use a recommended ramp when loading/unloading into/off truck or trailer, use tie-down straps to secure machine to truck or trailer.

STORING MACHINE

Before storing the machine perform the following instructions below:

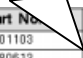
1. Empty and rinse out recovery tank and accessory tools.
2. Empty or replace vacuum bag.
3. Raise or remove squeegee assembly.
4. Store machine in a dry area in the upright position.
5. Disconnect battery cables if storing for a lengthy period.

ATTENTION: Do not store outdoors and avoid getting wet. Do not allow machine to freeze.

ATTENTION: If storing machine in freezing temperatures, be certain to drain machine of all water. Damage due to freezing is not covered by warranty.

RECOMMENDED STOCK ITEMS

Refer to the Parts List section in this manual for recommended stock items. Stock Items are clearly identified with a bullet preceding the parts description. See example below:



Ref.	Part No.	Description	Qty.
1	701103	ASM., STANDPIPE	1
2	180613	●FLOAT, SHUTOFF	1
3	230187	NIPPLE	1
4	101714	●GASKET	1
5	210240	NUT, FLANGED	1

TROUBLE SHOOTING

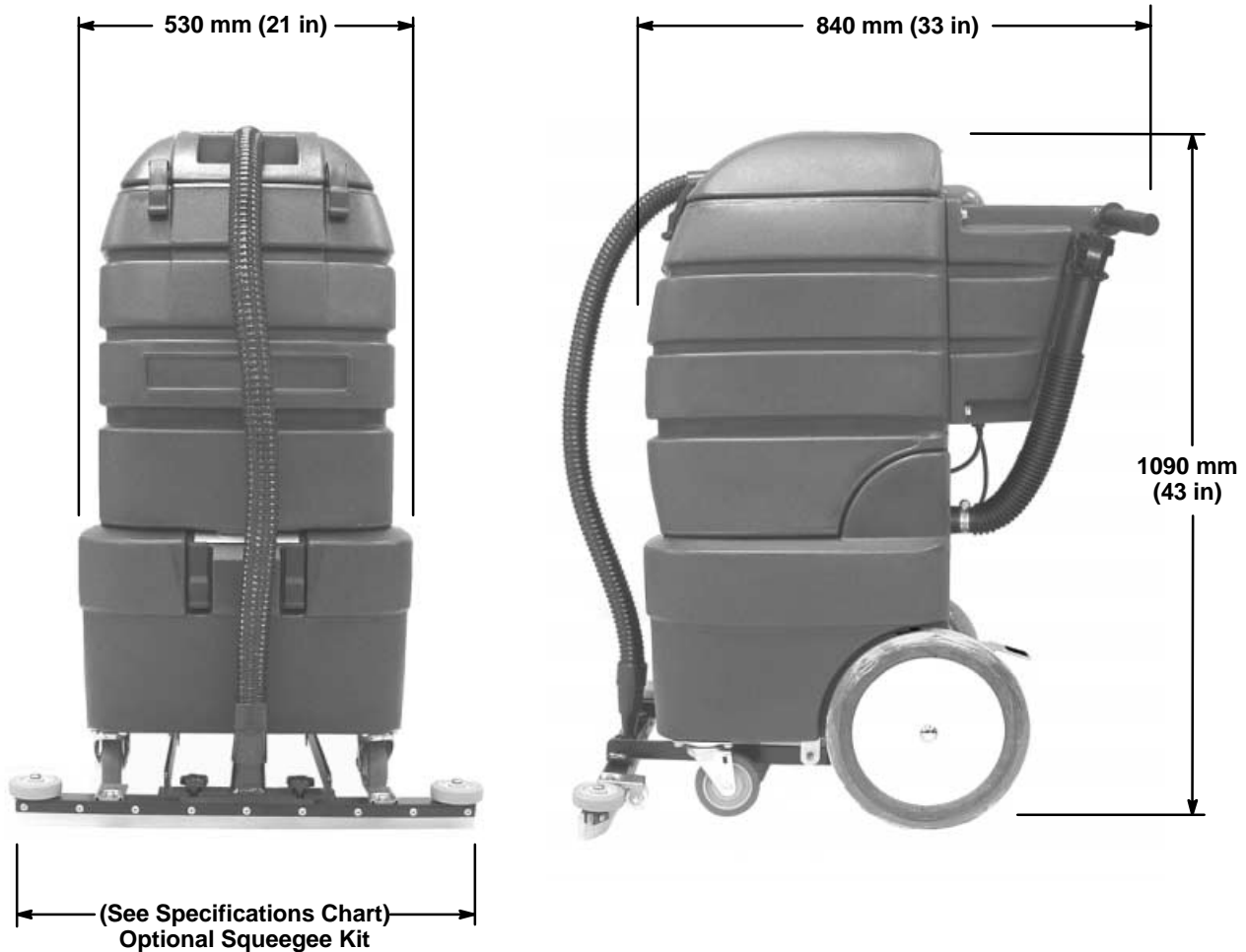
PROBLEM	CAUSE	SOLUTION
No power.	Faulty ON/OFF switch.	Contact Service Center.
	Batteries need charging.	See CHARGING BATTERIES.
	Faulty battery(s).	Replace battery(s).
	Loose battery cable.	Tighten loose cables.
	Improper battery cable connection.	See INSTALLING BATTERIES.
	Vacuum motor thermal overload tripped.	Check air flow for obstruction, wait 20 minutes for motor to cool.
	Faulty vacuum motor wiring.	Contact Service Center.
Poor pick-up.	Air flow obstruction.	Remove obstruction from float shut-off screen, vacuum hose, accessory tool or squeegee.
	Vacuum bag is full.	Empty or replace bag.
	Float shut-off screen is activated.	Drain recovery tank.
	Drain hose plug is loose or off.	Secure drain hose plug.
	Cover latches are not engaged.	Engage cover latches.
	Batteries need charging.	Charge batteries.
	Worn cover gasket.	Replace gasket.
	Vacuum motor carbon brushes worn.	Contact Service Center.
Short run time.	Batteries not fully charged.	Charge batteries.
	Faulty battery(s).	Replace battery(s).
	Batteries need maintenance.	See BATTERY MAINTENANCE.
	Faulty charger.	Replace charger.

OPERATION

MACHINE SPECIFICATIONS

Model	TYPHOON™ 16B
LENGTH	840 mm (33 in)
WIDTH	530 mm (21 in)
HEIGHT	1090 mm (43 in)
WEIGHT / WEIGHT WITH BATTERIES	41 Kg (90 lbs) / 107 Kg (235 lbs)
RECOVERY TANK CAPACITY	60.75 L (16 Gal)
VACUUM BAG CAPACITY	Cloth 15.5 cubic liters (0.44 bushels) Paper 22.7 cubic liters (0.65 bushels)
VACUUM MOTOR	24V, 3-stage, .75hp, 23A, 566W
OPTIONAL SQUEEGEE PATH WIDTH	685 mm (27 in) 864 mm (34 in) 1016 mm (40 in)
AIRFLOW / SEALED WATER LIFT	70 cfm (1.98 m ³ /h) / 1780 mm (70 in)
BATTERIES	2-12V deep cycle lead acid, 105AH or 130AH
RUN TIME, CONTINUOUS	up to 4 hours
DECIBEL RATING AT OPERATOR'S EAR, INDOORS ON TILE	>70dB(A)

MACHINE DIMENSIONS



Este manual se entrega con cada nueva máquina. Incluye instrucciones necesarias de operación y mantenimiento y una lista ilustrada de piezas.

Lea completamente este manual para entender la máquina, antes de intentar operar o prestar servicio a la misma.

Use la Lista Ilustrada de Piezas para ordenar piezas de repuesto. Antes de ordenar piezas o suministros, asegúrese de tener listos el número de modelo y el número de serie de la máquina. Las piezas y suministros pueden ordenarse por teléfono o correo de cualquier centro autorizado de distribución de piezas y servicio, o de cualquiera de las subsidiarias del fabricante.

Esta máquina proporciona un servicio excelente. Sin embargo, los mejores resultados se obtienen a un costo mínimo si:

- La máquina se opera con un cuidado razonable.
- La máquina se mantiene regularmente – según las instrucciones de mantenimiento de la máquina provistas.
- La máquina se mantiene con piezas provistas por el fabricante o equivalentes.

DATOS DE LA MAQUINA

Por favor complete al momento de la instalación para referencia futura.

No. de Modelo- _____

Fecha de instalación - _____

No. de Serie- _____

INDICE DE MATERIAS


MEDIDAS DE SEGURIDAD	16	MANTENIMIENTO DE LA MÁQUINA	24
ETIQUETAS DE ADVERTENCIA	17	MANTENIMIENTO DIARIO	24
COMPONENTES DE LA MÁQUINA	18	MANTENIMIENTO SEMANAL	25
INSTALACIÓN DE LA MÁQUINA	19	MANTENIMIENTO MENSUAL	25
DESEMPAQUE DE LA MÁQUINA	19	MANTENIMIENTO TRIMESTRAL	25
INSTALACIÓN DE LAS BATERÍAS	19	MANTENIMIENTO DE LA BATERÍA	25
ADICION DE EQUIPO ESCURRIDOR		TRANSPORTE DE LA MÁQUINA	26
OPCIONAL	20	ALMACENAMIENTO DE LA MÁQUINA	26
PREPARACIÓN DE LA MÁQUINA	21	ARTICULOS RECOMENDADOS PARA	
ASPIRACIÓN DE LÍQUIDOS	21	MANTENER EN STOCK	26
ASPIRACIÓN EN SECO	21	LOCALIZACIÓN DE FALLAS	27
OPERACIÓN DE LA MÁQUINA	22	ESPECIFICACIONES DE LA MÁQUINA	28
PROTECTOR TÉRMICO DEL MOTOR DE		DIMENSIONES DE LA MÁQUINA	28
ASPIRACIÓN	22	DIAGRAMAS ELECTRICAS	29
HERRAMIENTAS ADICIONALES DE		LISTA DE PIEZAS	30
OPERACIÓN	22	CONJUNTO DEL TANQUE	30
OPERACIÓN DE LA OPCION DEL JUEGO		GRUPO BASE	32
ESCURRIDOR	22	OPCIONES	34
VACIADO DEL DEPÓSITO DE		PIEZAS DE LA RASQUETA DE CAUCHO ..	34
RECUPERACIÓN	23	KIT DE HERRAMIENTA SECO MOJADO ...	36
CAMBIO DE BATERIAS	23	KIT DE HERRAMIENTA SECO	37
		KIT DE HERRAMIENTA PARA LOS PISOS	
		Y LA ALFOMBRA	38
		KIT DE HERRAMIENTA MOJADO	39

MEDIDAS DE SEGURIDAD

Esta máquina es para el uso comercial. Se ha diseñado para aspiración húmeda/seca en un ambiente interior y no se construye para ningún otro uso. Use sólo las herramientas adicionales recomendadas.


Todos los operadores deben leer, entender y practicar las precauciones siguientes de seguridad.

El siguiente símbolo de alerta de advertencia y el encabezamiento de "PARA SEGURIDAD" se usan en este manual como se indica en su descripción:


 **ADVERTENCIA:** Para advertir de riesgos o prácticas inseguras que podrían resultar en lesiones personales graves o la muerte.


PARA SEGURIDAD: Para identificar acciones que deben seguirse para el funcionamiento seguro del equipo.

El no seguir estas advertencias puede resultar en: lesiones personales, electrocución, choque eléctrico, fuego o explosión.

 **ADVERTENCIA:** No opere la máquina en o cerca de líquidos, vapores inflamables o polvos combustibles.

Esta máquina no está equipada con motores a prueba de explosión. Los motores eléctricos emiten chispas al arrancar y durante el funcionamiento lo que podría causar un fuego explosivo o explosión si la máquina se usa en una área donde están presentes vapores/líquidos inflamables o polvos combustibles.

 **ADVERTENCIA:** No recoja materiales tóxicos o inflamables ni residuos humeantes o ardiendo.

 **ADVERTENCIA:** Mantenga alejada de chispas y llamas expuestas. Al cargar mantenga abierta la cubierta de la batería.

 **ADVERTENCIA:** Desconecte los cables de la batería antes de prestar servicio a la máquina.

La información siguiente señala condiciones potencialmente peligrosas para el operador o el equipo:

PARA SEGURIDAD:

1. No opere la máquina:
 - Con líquidos inflamables o cerca de los vapores inflamables ya que puede ocurrir una explosión o fuego explosivo.
 - A menos que está capacitado y autorizado.
 - A menos que se haya leído y entendido el manual del funcionamiento.
 - En agua estancada.
 - Si no está en condición de ejecutar una operación apropiada.
 - Sin haber colocado los filtros y/o la bolsa.
2. Antes de arrancar la máquina:
 - Asegúrese que todos los dispositivos de seguridad están en su lugar y operando apropiadamente.
3. Al usar máquina:
 - No recoja restos ardiendo o humeantes como cigarrillos, cerillas o cenizas calientes.
 - Nunca permita que los niños jueguen en o alrededor de la máquina.
 - Informe inmediatamente acerca de daños o una operación defectuosa de la máquina.
4. Antes de salir de o reparar la máquina::
 - Deténgala en una superficie nivelada.
 - Apague la máquina.
5. Al prestar servicio a la máquina:
 - Desconecte las conexiones de la batería antes de trabajar en la máquina.
 - Use guantes protectores y lentes de seguridad al manejar baterías o cables de la batería.
 - Evite el contacto con el ácido de la batería.
 - Use piezas de repuesto provistas o aprobadas por el fabricante.
 - Todas las reparaciones deben ser realizadas por una persona de servicio calificada.
 - No modifique la máquina de su diseño original.
6. Al transportar máquina:
 - Apague la máquina.
 - No levante la máquina con las baterías instaladas.
 - Obtenga ayuda al alzar la máquina.
 - Use una rampa recomendada al cargar/descargar al/ fuera del camión o remolque.
 - Use correas de amarre para asegurar la máquina al camión o remolque.

ETIQUETAS DE ADVERTENCIA

Las etiquetas de advertencia aparecen en la máquina en las ubicaciones indicadas. Reemplace las etiquetas si se dañan o son ilegibles.



ETIQUETA DE ADVERTENCIA –
Situado en la parte trasera de la máquina.

⚠ WARNING

FAILURE TO FOLLOW THESE WARNINGS MAY RESULT IN: PERSONAL INJURY, ELECTROCUTION, ELECTRICAL SHOCK, FIRE OR EXPLOSION.

		Do Not Operate Machine In Or Near Flammable Liquids, Vapors Or Combustible Dusts.
		Do Not Pick Up Flammable Or Toxic Materials, Burning Or Smoking Debris.
		Keep Sparks And Open Flame Away. Keep Battery Hood Open When Charging.
		Disconnect Battery Cables Before Servicing Machine.

613290

 **FOR SAFETY: READ THE OWNER'S MANUAL BEFORE USING MACHINE.**

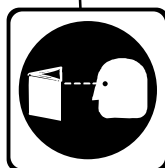
ETIQUETA DE ADVERTENCIA –
Situado en la parte trasera de la máquina.



⚠ ADVERTENCIA: El no seguir estas advertencias puede resultar en: lesiones personales, electrocución, choque eléctrico, fuego o explosión.

No opere la máquina en o cerca de líquidos, vapores inflamables o polvos combustibles.

No recoja materiales tóxicos o inflamables ni residuos humeantes o ardiendo.

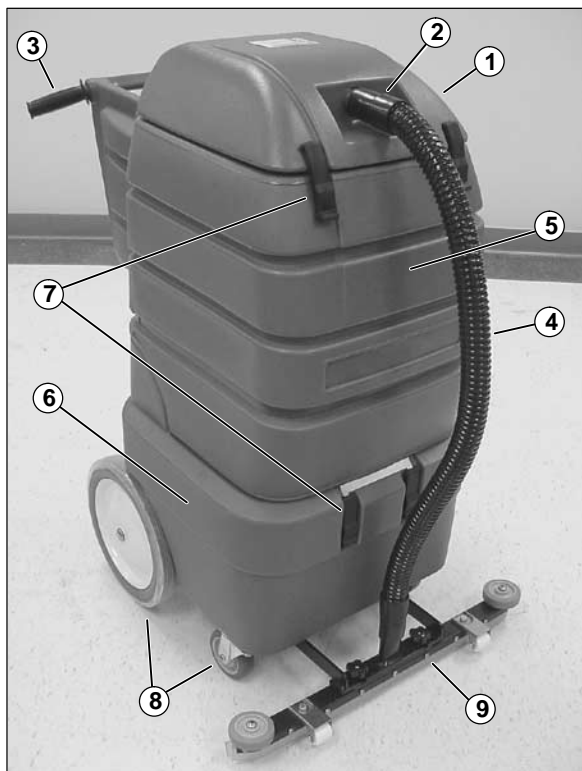


ETIQUETA DE PARA SEGURIDAD –
Situado en la parte trasera de la máquina.

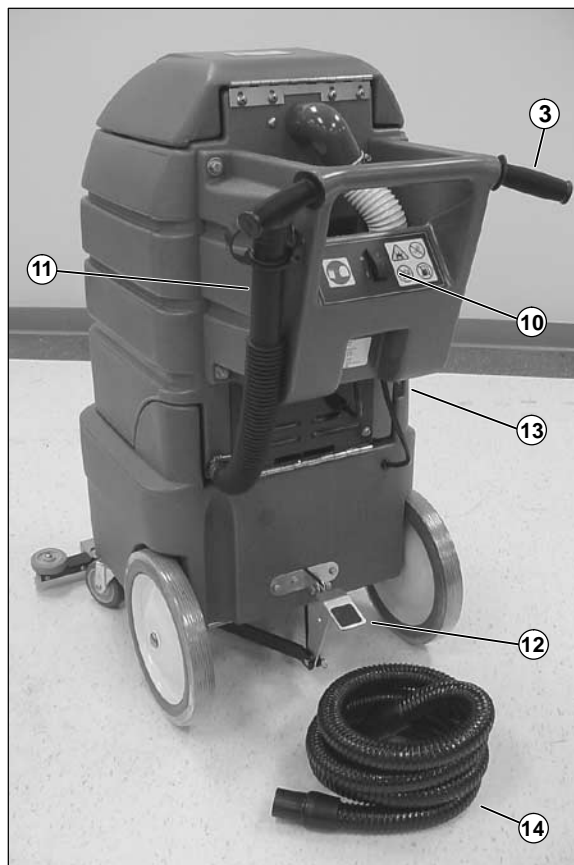
PARA SEGURIDAD:
Lea el manual antes de utilizar la máquina.

OPERACIÓN

COMPONENTES DE LA MÁQUINA



1. Tapa del compartimento de la bolsa
2. Tubo de la manguera de aspiración
3. Mandos de control
4. Manguera de aspiración de 109 cm (43 in)
5. Compartimento de la bolsa de aspiración / Depósito de recuperación
6. Compartimento de la batería
7. Pestillos de los compartimentos
8. Ruedecillas pivotantes y ruedas posteriores de 30 cm
9. Conjunto de la escobilla de goma (opcional)



10. Interruptor de ENCENDIDO/APAGADO de la máquina.
11. Manguera de vaciado
12. Pedal de elevación del conjunto de la escobilla de goma (opcional)
13. Enchufe del cargador
14. Manguera de vacío

INSTALACIÓN DE LA MÁQUINA

DESEMPAQUE DE LA MÁQUINA

Inspeccione cuidadosamente la caja por señales de daño. Informe inmediatamente al transportista en caso de daños.

Inspeccione el contenido de la máquina para asegurarse que el envío está completo. Consultar con el distribuidor por artículos faltantes.

Contenidos de la máquina:

- 1 – Cable para las baterías #130364
- 4 – Tapas para los bornes de la batería #45962
- 2 – Protector rojo de la batería #611222
- 2 – Protector negro de la batería #611221
- 1 – Manguera de aspiración de 3 m (10 ft) #160481
- 1 – Manguera de aspiración de 109 cm (43 in) #160630
- 1 – Bolsa recolectora de papel #611785
- 1 – Bolsa recolectora de tela #900105
- 2 – 12VDC 105AH Baterías #578426 (incluido con el paquete de la máquina #607623)
- 1 – Cargador De Batería, 24DC/12A 120V #603553 (incluido con el paquete de la máquina #607623)

NOTA: El juego de rasqueta de caucho y los accesorios no son piezas estándar y deben ser ordenados por separado.

INSTALACIÓN DE LAS BATERÍAS

NOTA: Si está planeando instalar el juego escurridor opcional, espere para instalar las baterías hasta que se instale el juego (vea ADICION DEL JUEGO ESCURRIDOR OPCIONAL).

⚠ ADVERTENCIA: Mantenga las chispas y llamas expuestas alejadas. Mantenga abierta la campana de la batería al cargar.

PARA SEGURIDAD: Al prestar servicio a la máquina, use guantes protectores y lentes de seguridad al manejar las baterías o los cables de la batería. Evite el contacto con el ácido de la batería.

Especificaciones recomendadas de la batería:

Dos baterías de carga profunda de 12 voltios, 105/130 amp/hora. Las dimensiones máximas de la batería son 340 mm (longitud) x180 mm (anchura) x 250 mm (altura).

1. Coloque el interruptor de ENCENDIDO/APAGADO en la posición de apagado (OFF).

ATENCIÓN: Asegúrese de que los depósitos estén vacíos antes de abrirlos.

2. Abra el compartimento de la batería, quite los pestillos inferiores y incline hacia atrás el soporte superior hasta el suelo cuidadosamente. Extraiga los cables sueltos de la batería del fondo del compartimento (Figura 1).



FIG. 1

3. Instale cuidadosamente las baterías en el compartimento y coloque los bornes de la batería como se indica. Conecte los cables de la batería a los postes de la batería según se muestra, ROJO A POSITIVO y NEGRO A NEGATIVO. Use las cubiertas de los bornes de la batería y las botas de goma provistos (Figura 2).

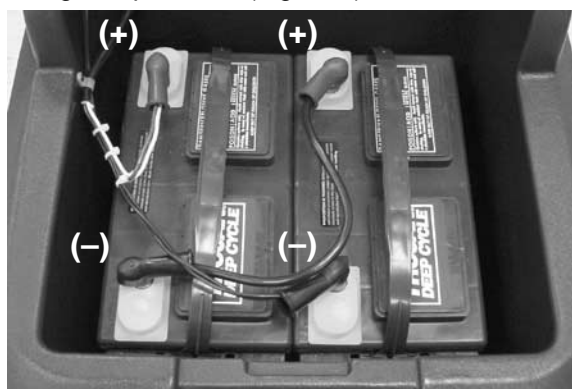


FIG. 2

ATENCIÓN: No deje caer las baterías dentro del compartimento. Esto puede resultar en daños a la batería y al cerramiento de la máquina.

4. Aplique un recubrimiento ligero de grasa no metálica o rociado protector a las conexiones del cable para evitar la corrosión de la batería.

OPERACIÓN

ADICION DE EQUIPO ESCURRIDOR OPCIONAL

NOTA: La instalación del conjunto es más sencilla si las baterías no están instaladas. Sin embargo, el conjunto también puede instalarse con las baterías instaladas.

1. Retire las bolsas de aspiración y/o vacíe el depósito de recuperación.
2. Tumbela máquina sobre la parte posterior. Sólo si ha extraído las baterías de la máquina.
3. Retire de la parte inferior de la máquina los dos tornillos de fijación de la escobilla de goma no utilizados.
4. Instale la abrazadera de montaje de la escobilla de goma como se indica. Fíjelo con el tornillo y las arandelas que retiró antes (Figura 3).

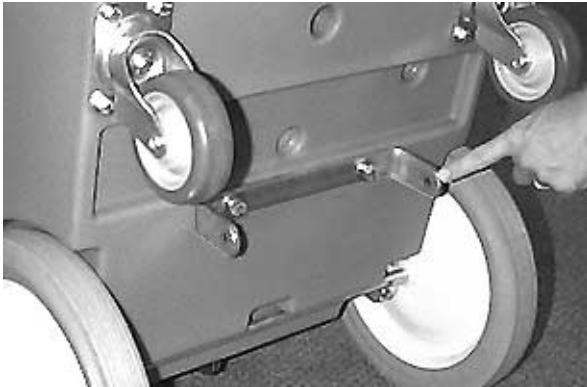


FIG. 3

5. Fije la rasqueta de caucho en la ménsula de montaje. Use (2) pasadores (Figura 4).



FIG. 4

6. Coloque la aspiradora en posición vertical.
7. Introduzca el espaciador a través del orificio en el pedal y a continuación coloque el pedal entre los dos orificios de la abrazadera de la escobilla de goma (Figura 5).

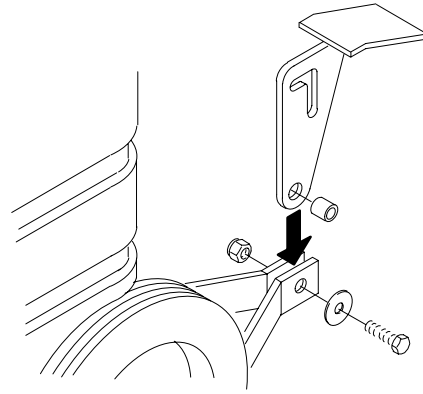


FIG. 5

8. Introduzca el pedal entre los dos brazos de montaje en la parte posterior de la máquina. Alinee e introduzca el pasador a través de los brazos y la ranura del pedal (Figura 6).



FIG. 6

9. Monte el conjunto de la escobilla de goma como se muestra y fíjelo con los dos tornillos de orejas (Figura 7).

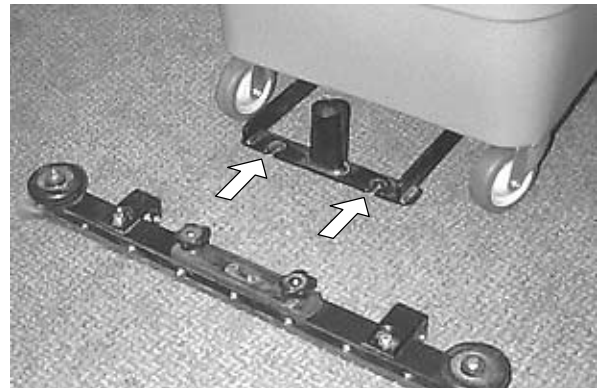


FIG. 7

10. Conecte la manguera de aspiración de 109 cm al conjunto de la escobilla de goma y al tubo de la tapa (Figura 8).

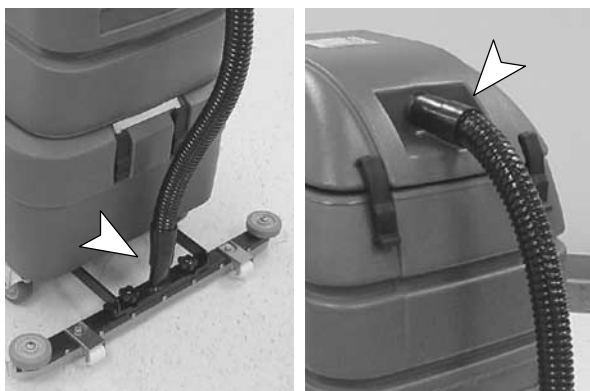


FIG. 8

PREPARACION DE LA MÁQUINA

ASPIRACIÓN DE LÍQUIDOS

1. Abra la tapa de la máquina y retire la bolsa de aspiración del depósito de recuperación (Figura 9).



FIG. 9

2. Asegúrese de que el filtro del flotador de cierre automático se encuentra en su sitio (Figura 10).



FIG. 10

ATENCIÓN: Para prevenir daños al motor de vacío, el tamiz de apagado automático del flotador debe estar en su lugar.

ASPIRACIÓN EN SECO

1. Abra la tapa de la máquina e instale la bolsa de tela del filtro, asegúrese de que el borde de la bolsa están adecuadamente instalado en la corona del compartimento (Figura 11).

Para una fácil eliminación de los desperdicios y para aumentar la vida útil de la bolsa del filtro de tela, utilice una bolsa de papel con la bolsa de tela. Coloque la bolsa de papel en el interior de la bolsa de tela e introduzca la parte de arriba de la bolsa de papel alrededor de la corona exterior de la bolsa de tela. No utilice nunca bolsas de papel sin que la bolsa de tela del filtro esté instalada. No reutilice las bolsas de papel. Tírelas siempre.

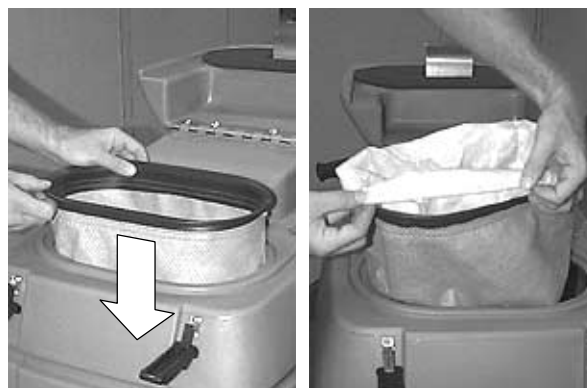


FIG. 11

ATENCIÓN: Asegúrese de que haya una bolsa en su lugar antes de aspirar en seco. Al aspirar en seco sin una bolsa en su lugar se daña el motor de la aspiradora. Estos daños NO están cubiertos por la garantía.

2. Cierre la tapa y ponga los pestillos.
3. Deje el filtro del flotador de cierre automático en su sitio al aspirar en seco. Puede proporcionar algo de protección al motor en caso de que la bolsa esté deteriorada.

OPERACIÓN

OPERACIÓN DE LA MÁQUINA

PARA SEGURIDAD: No opere la máquina a menos que haya leído y entendido el manual del operador.

⚠ ADVERTENCIA: No opere la máquina en o cerca de líquidos, vapores inflamables o polvos combustibles.

⚠ ADVERTENCIA: No aspire materiales inflamables o tóxicos o desechos ardientes o humeantes.

PROTECTOR TÉRMICO DEL MOTOR DE ASPIRACIÓN

El motor de aspiración está térmicamente protegido por un sensor de temperatura. Se activará cuando el motor esté sobrecargado. Si el motor se detiene, espere 20 minutos a que el motor se enfríe y retire la obstrucción antes de continuar.

HERRAMIENTAS ADICIONALES DE OPERACIÓN

1. Conecte la manguera de aspiración de 3 m al tubo de la tapa de la máquina.
2. Seleccione el accesorio deseado y conéctelo a la manguera de aspiración (Figura 12).

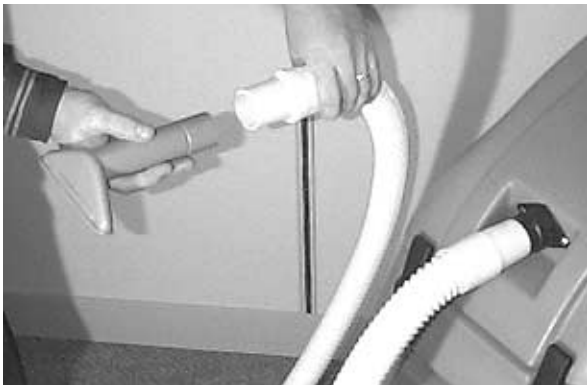


FIG. 12

3. Encienda el interruptor de ENCENDIDO/APAGADO y utilice el accesorio normalmente.
4. Durante la aspiración en seco, compruebe periódicamente si la bolsa está llena. Para una aspiración óptima, vacíe la bolsa cuando 3/4 de la misma estén llenos.

Durante la aspiración de líquidos, el filtro del flotador de cierre automático detendrá automáticamente la entrada de agua cuando el depósito de la disolución esté lleno (consulte el apartado de VACIADO DEL DEPÓSITO DE RECUPERACIÓN).

ATENCIÓN: Si está aspirando líquidos que pudieran causar espuma dentro del tanque de recuperación, utilice un producto químico que evita la formación de espuma para eliminarla. La espuma **NO** cierra el flotador automático, y ocasiona daños al motor del sistema de aspiración. Los daños causados por espuma **NO** están cubiertos por la garantía.

OPERACIÓN DE LA OPCION DEL JUEGO ESCURRIDOR

1. Baje la escobilla de goma hasta el suelo, golpee ligeramente con el pie y desplace hacia delante el pedal para liberarlo de su posición de transporte (Figura 13).



FIG. 13

2. Encienda el interruptor de ENCENDIDO/APAGADO.
3. Comience la operación empujando y tirando de la máquina en cualquier dirección.
4. Durante la operación, el filtro del flotador de cierre automático detendrá automáticamente la entrada de agua cuando el depósito de la disolución esté lleno (consulte el apartado de VACIADO DEL DEPÓSITO DE RECUPERACIÓN).

ATENCIÓN: Si está aspirando líquidos que pudieran causar espuma dentro del tanque de recuperación, utilice un producto químico que evita la formación de espuma para eliminarla. La espuma **NO** cierra el flotador automático, y ocasiona daños al motor del sistema de aspiración. Los daños causados por espuma **NO** están cubiertos por la garantía.

- Para elevar la escobilla de goma, pise el pedal hasta que se inmovilice en la posición de transporte (Figura 14).



FIG. 14

NOTA: El conjunto de la escobilla de goma puede utilizarse para recoger partículas finas (polvo, arena, serrín, etc...) No se recomienda la utilización de la escobilla de goma para la aspiración en seco normal.

VACIADO DEL DEPÓSITO DE RECUPERACIÓN

- Dirija la máquina al desagüe del suelo más cercano. Si no hay desagües, utilice un cubo para vaciar la máquina.
- Extraiga la manguera de vaciado de su soporte, quite el tapa de la manguera de vaciado y vacíe la máquina. Levante la manguera de vaciado para detener el flujo de agua (Figura 15).



FIG. 15

- Después de vaciar el depósito de la disolución, abra la pata y aclare bien el depósito con agua limpia.
- Coloque de nuevo el tapón de la manguera de vaciado y devuélvala a su soporte.

ATENCIÓN: Asegúrese de que el tapón de la manguera de vaciado está bien cerrado para evitar pérdidas de aspiración.

CAMBIO DE BATERIAS

Para prolongar vida de la batería, recargue SOLAMENTE las baterías después de un total de 30 minutos o más de uso.

Las instrucciones siguientes de carga son para los cargadores provistos de 24V solamente. Use un cargador con las especificaciones siguientes para prevenir daños a la batería.

ESPECIFICACIONES DEL CARGADOR:

- VOLTAJE DE SALIDA – 24 VOLTIOS
- CORRIENTE DE SALIDA – 15 AMP
- CIRCUITO DE CIERRE AUTOMÁTICO
- CARGA PARA BATERÍAS DE CARGA PROFUNDA

ATENCIÓN: No continúe el funcionamiento de la máquina cuando comienza a disminuir el rendimiento de aspiración ya que puede resultar en daños a la batería.

⚠ ADVERTENCIA: Mantenga las chispas y llamas expuestas alejadas. mantenga abierta la campana de la batería al cargar.

PARA SEGURIDAD: Al prestar servicio a la máquina, use los guantes protectores y lentes de seguridad al manejar las baterías o los cables de la batería. Evite el contacto con el ácido de la batería.

1. Apague el interruptor de ENCENDIDO/APAGADO.
2. Empuje la máquina a una superficie plana, seca, en un área bien ventilada para cargar.
3. Abra el compartimento de la batería. Quite los pestillos inferiores de la parte delantera de la máquina e incline hacia atrás y con cuidado el soporte superior hasta el suelo (Figura 16).

NOTA: Asegúrese de drenar el tanque previo a obtener acceso a las baterías.



FIG. 16

OPERACIÓN

4. Antes de cargar, inspeccione el nivel de fluido (A) en cada celda de la batería. Si las placas de la batería (B) están expuestas, agregue justo lo suficiente de agua destilada para cubrir las. **NO LLENE EN EXCESO.** Las baterías llenadas en exceso puede derramarse durante la carga debido a la expansión del líquido. Vuelva a colocar las tapas de la celda antes de cargar (Figura 17).

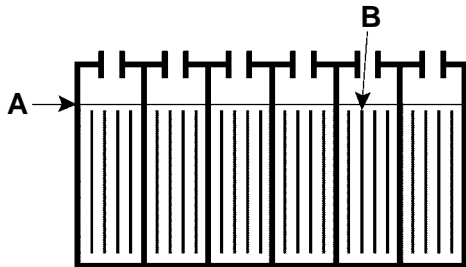


FIG. 17

5. Con el cordón de suministro de energía del cargador desenchufado, conecte el cargador de la batería al receptáculo de carga de la máquina según se muestra (Figura 18).



FIG. 18

6. Enchufe el cordón de suministro de energía del cargador a un tomacorrientes de pared conectado a tierra (Figura 19).

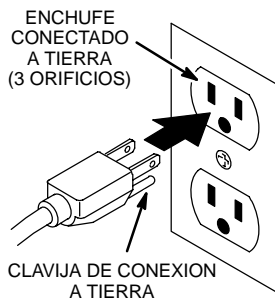


FIG. 19

PARA SEGURIDAD: No opere el cargador a menos que el cordón esté bien conectado tierra.

⚠ ADVERTENCIA: Mantenga las chispas y llamas expuestas alejadas. mantenga abierta la campana de la batería al cargar.

NOTA: Una vez que el cargador está conectado, la máquina es inoperable.

7. El cargador comienza automáticamente a cargar y se apaga cuando esté plenamente cargado.
8. Al desconectar el cargador, siempre desconecte primero el cargador del tomacorrientes de pared.
9. Después de cargar, vuelva a inspeccionar el nivel de fluido de la batería (A) en cada celda de la batería. El nivel debe ser de 1 cm (3/8 pul.) desde el fondo de los tubos de mirilla (B) (Figura 20). Agregue agua destilada si requerido. **NO LLENE EN EXCESO.**

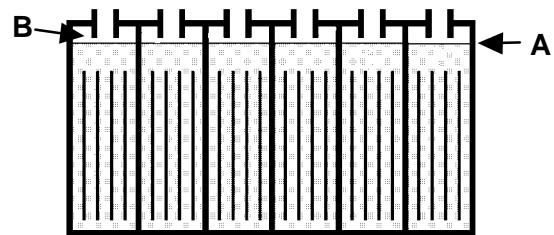


FIG. 20

MANTENIMIENTO DE LA MÁQUINA

Para mantener la máquina en buen estado de funcionamiento, simplemente observe los procedimientos de mantenimiento diarios, semanales y mensuales de la máquina.

PARA SEGURIDAD: Al prestar servicio a la máquina, desconecte las conexiones de la batería antes de trabajar en la máquina.

MANTENIMIENTO DIARIO (Cada 4 horas de uso)

1. Drene y enjuague el tanque de recuperación después de una aspiración húmeda.
2. Extraiga y enjuague el tamiz flotante de corte ubicada en el tanque de recuperación (Figura 21).



FIG. 21

ATENCIÓN: Siempre tenga el tamiz de apagado del flotador en su lugar antes de operar. Durante el funcionamiento húmedo, el tamiz de apagado del flotador protege el motor de vacío del agua. Durante la aspiración en seco, el tamiz de apagado del flotador puede proporcionar protección limitada para una bolsa del filtro defectuosa.

3. Limpie las hojas del escurridor con una tela. Reemplace las hojas cuando estén desgastadas.
4. Inspeccione la bolsa por llenado, vacíe la bolsa cuando esté 3/4 llena.
5. Limpie la máquina con un limpiador no abrasivo que no contenga disolventes.
6. Recargue las baterías si requerido (vea CARGA DE LAS BATERIAS).
7. Revise regularmente si la manguera de aspiración tiene orificios, extremos sueltos o basura atorada.

MANTENIMIENTO SEMANAL (Cada 20 horas de uso)

1. Inspeccione el nivel de fluido en cada célula de la batería (Vea MANTENIMIENTO DE LA BATERIA).
2. Limpie los bornes de la batería para evitar corrosión (Vea MANTENIMIENTO DE LA BATERIA).
3. Inspeccione por cables de batería flojos o corroídos.

MANTENIMIENTO MENSUAL (Cada 80 horas de uso)

1. Para que los resultados sean óptimos, lave la bolsa de tela del filtro a mano con un detergente suave. Deje que la bolsa se seque totalmente antes de volver a instalarla.
2. Lubrique las ruedas y las ruedas giratorias delanteras con un aceite resistente al agua.
3. Inspeccione la máquina por tuercas y pernos flojos.

MANTENIMIENTO TRIMESTRAL (Cada 250 horas de uso)

Inspeccione el motor por desgaste de las escobillas de carbón. Reemplace todas las escobillas si se han desgastado a un largo de 10 mm (0.38 pulg.) o menos.

Para la inspección de las escobillas de carbón consulte con su Centro Autorizado de Servicio.

PARA SEGURIDAD: Al prestar servicio a la máquina, todas las reparaciones deben realizarse por una persona calificada de servicio.

MANTENIMIENTO DE LA BATERÍA

⚠️ ADVERTENCIA: Mantenga alejada de chispas y llamas expuestas. Al cargar mantenga abierta la cubierta de la batería.

PARA SEGURIDAD: Al prestar servicio a la máquina, use guantes protectores y lentes de seguridad al manejar baterías o cables de la batería. Evite el contacto con el ácido de la batería.

1. Siga siempre las instrucciones apropiadas de carga (vea CARGA DE LAS BATERIAS).
2. Inspeccione el nivel del electrolito (A) en cada celda de la batería. El nivel debe estar a 1 cm (3/8 pul.) desde el fondo de los tubos de mirilla después de cargar. Agregue fluido destilada si requerido. NO LLENE EN EXCESO. Baterías llenadas en exceso pueden derramarse durante la carga debido a la expansión del líquido (Figura 22).

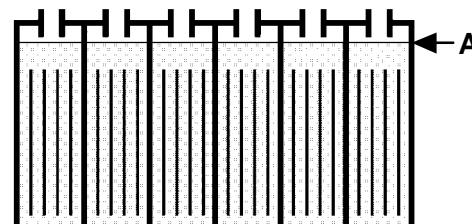


FIG. 22

3. Después de cargar las baterías, mida la gravedad específica en cada celda de la batería usando un hidrómetro (Figura 23). Esto determina el nivel de carga y condición de las baterías. Si resulta que una o más de las celdas de la batería son inferiores que la otra celda de batería (0.050 o más), la celda está dañada, acortada, o está por fallar.

NOTA: No lea inmediatamente después de agregar agua destilada. El agua y el ácido deben mezclarse bien para obtener una lectura exacta.

OPERACIÓN

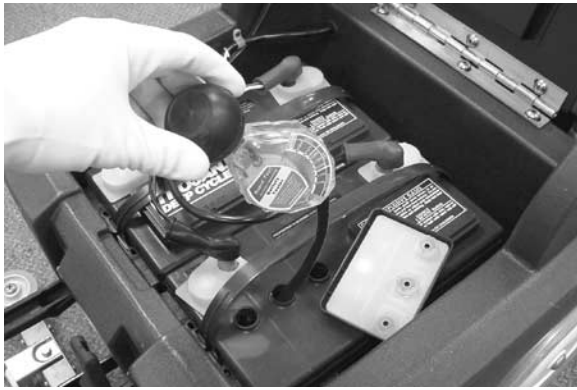


FIG. 23

GRAVEDAD ESPECIFICA a 27° C (80° F)	CARGA DE LA BATERIA
1.265	100% CARGADA
1.223	75% CARGADA
1.185	50% CARGADA
1.148	25% CARGADA
1.110	DESCARGADA

NOTA: Agregue o reste 0.004 de lectura de gravedad por cada 6° C (10° F) sobre o debajo de 27° C (80° F).

4. Mantenga los toques de la batería limpios y secos.
 - a. Mezcle una solución potente de soda cáustica y agua.
 - b. Cepille con un poco de solución los toques, terminales y conectores de cable de la batería.

NOTA: No permita que la solución de soda cáustica penetre a las celdas de la batería.

- c. Use un cepillo de alambre para limpiar los terminales y las conexiones de cable.
 - d. Después de limpiar aplique un recubrimiento de protector translúcido de poste de batería a los terminales y conexiones del cable.
5. Inspeccione por cables flojos o gastados. Reemplace si están gastados.

TRANSPORTE DE LA MÁQUINA

Al transportar la máquina en un acoplado o camión, asegúrese de seguir los procedimientos de amarre de abajo:

PARA SEGURIDAD: Al usar la máquina avance lentamente en pendientes y superficies resbaladizas.

1. Cargue la máquina usando una rampa recomendada de carga.
2. Coloque en posición el frente de la máquina contra el frente del acoplado o camión.

3. Coloque un bloque detrás de cada ruedas traseras para evitar que la máquina ruede.
4. Coloque correas de amarre sobre el tope de la máquina para evitar que vuelque. Puede ser necesario instalar soportes de amarre en el piso de su acoplado o camión.

PARA SEGURIDAD: Al transportar la máquina, use una rampa recomendada cuando cargue al/descargue del camión o acoplado, use correas de amarre para asegurar la máquina al camión o acoplado.

ALMACENAMIENTO DE LA MÁQUINA

Antes de guardar la máquina realice las siguientes operaciones:

1. Vacíe y aclara el depósito de recuperación y los accesorios.
2. Vacíe o sustituya la bolsa de aspiración.
3. Eleve o desmonte el conjunto de la escobilla de goma.
4. Almacene la máquina en un área seca en posición vertical.
5. Desconecte los cables de la batería si va a guardar la máquina durante un periodo de tiempo largo.

⚠ ATENCIÓN: No guarde la máquina en el exterior y evite que se moje. No permita que la máquina se congele.

⚠ ATENCIÓN: Si guarda la máquina con temperaturas iguales o inferiores a 00C, asegúrese de vaciar todo el agua de la misma. La garantía no cubre las averías causadas por heladas.

ARTICULOS RECOMENDADOS PARA MANTENER EN STOCK

Para los artículos recomendados para mantener en existencia, referirse la al Lista de Piezas. Los artículos para mantener en stock están claramente identificados con una bala delante de la descripción de las piezas. Vea el ejemplo de abajo:

Ref.	Part No.	Description	Qty.
1	701103	ASM., STANDPIPE	1
2	180618	●FLOAT, SHUTOFF	1
3	230187	NIPPLE	1
4	101714	●GASKET	1
5	210240	NUT, FLANGED	1

LOCALIZACIÓN DE FALLAS

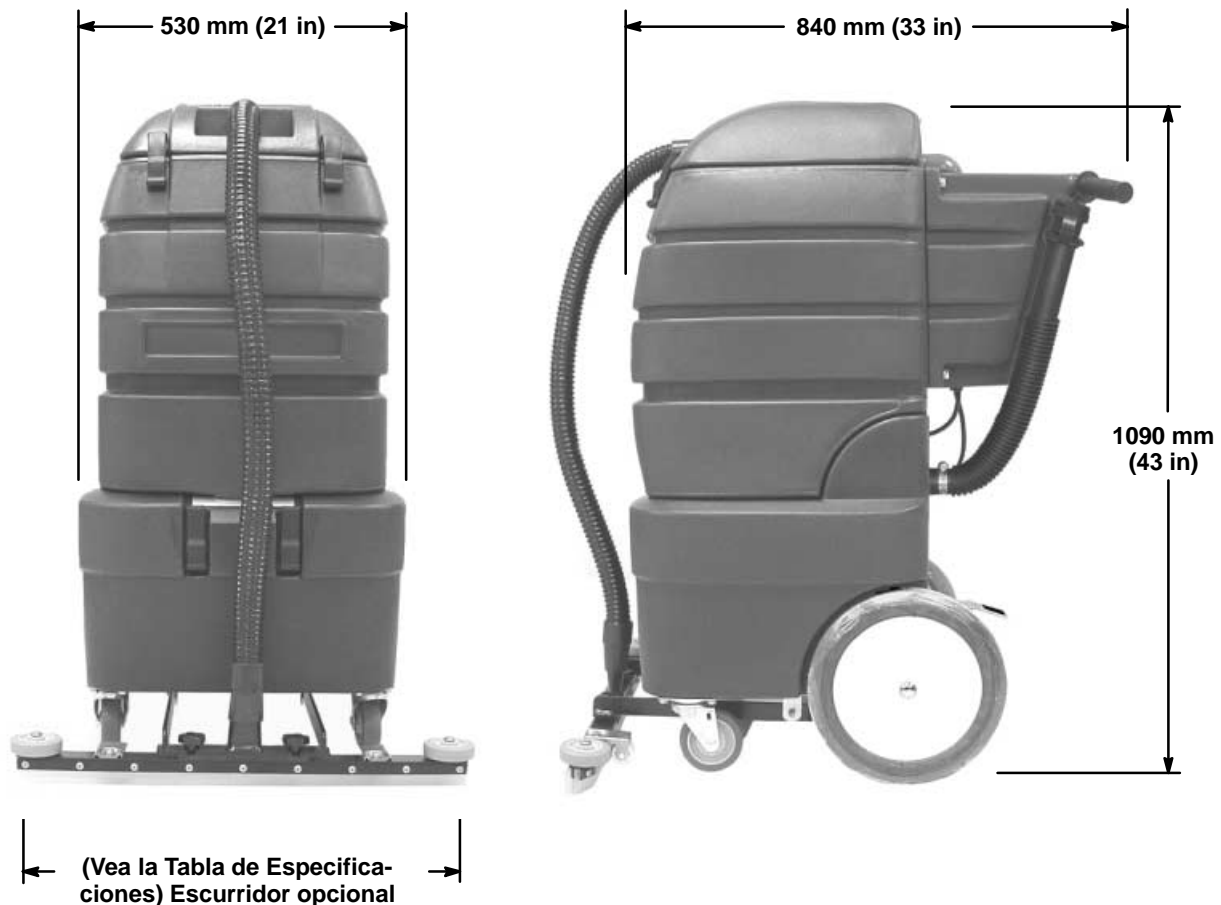
PROBLEMA	CAUSA	SOLUCIÓN
Sin electricidad.	Interruptor de ENCENDIDO/APAGADO defectuoso.	Consulte con el Centro de Servicio.
	Las baterías necesitan ser cargadas.	Consultar el apartado de CARGA DE LAS BATERÍAS.
	Batería(s) defectuosa.	Reemplace la batería(s).
	Cable flojo de la batería.	Ajuste los cables flojos.
	Conexión inapropiada del cable de la batería.	Vea Instalación de las Baterías.
	Protector térmico del motor de aspiración activado por sobrecarga.	Comprobar si el flujo de aire está bloqueado, esperar 20 minutos a que se enfríe el motor.
	Cableado del motor de aspiración defectuoso.	Consulte con el Centro de Servicio.
Recogida pobre.	Flujo de aire bloqueado.	Retirar la obstrucción del filtro del flotador, manguera de aspiración, accesorio o escobilla de goma.
	Bolsa de aspiración llena.	Vaciar o sustituir la bolsa.
	Filtro del flotador activado.	Vaciar el depósito de recuperación.
	El tapón de la manguera de vaciado está flojo o quitado.	Apretar el tapón de la manguera de recuperación.
	Pestillos de las tapas sin poner.	Poner los pestillos de las tapas.
	Las baterías necesitan ser cargadas.	Cargar las baterías.
	Junta de la tapa gastada.	Sustituir la junta de la tapa.
	Cepillos de carbón del motor de aspiración gastados.	Consulte con el Centro de Servicio.
Tiempo limitado de funcionamiento.	Carga baja de la batería.	Cargue las baterías.
	Celda(s) defectuosa de la batería.	Reemplace la batería.
	Las baterías requieren mantenimiento.	Vea mantenimiento de la Batería.
	Cargador de batería defectuoso.	Reemplace el cargador.

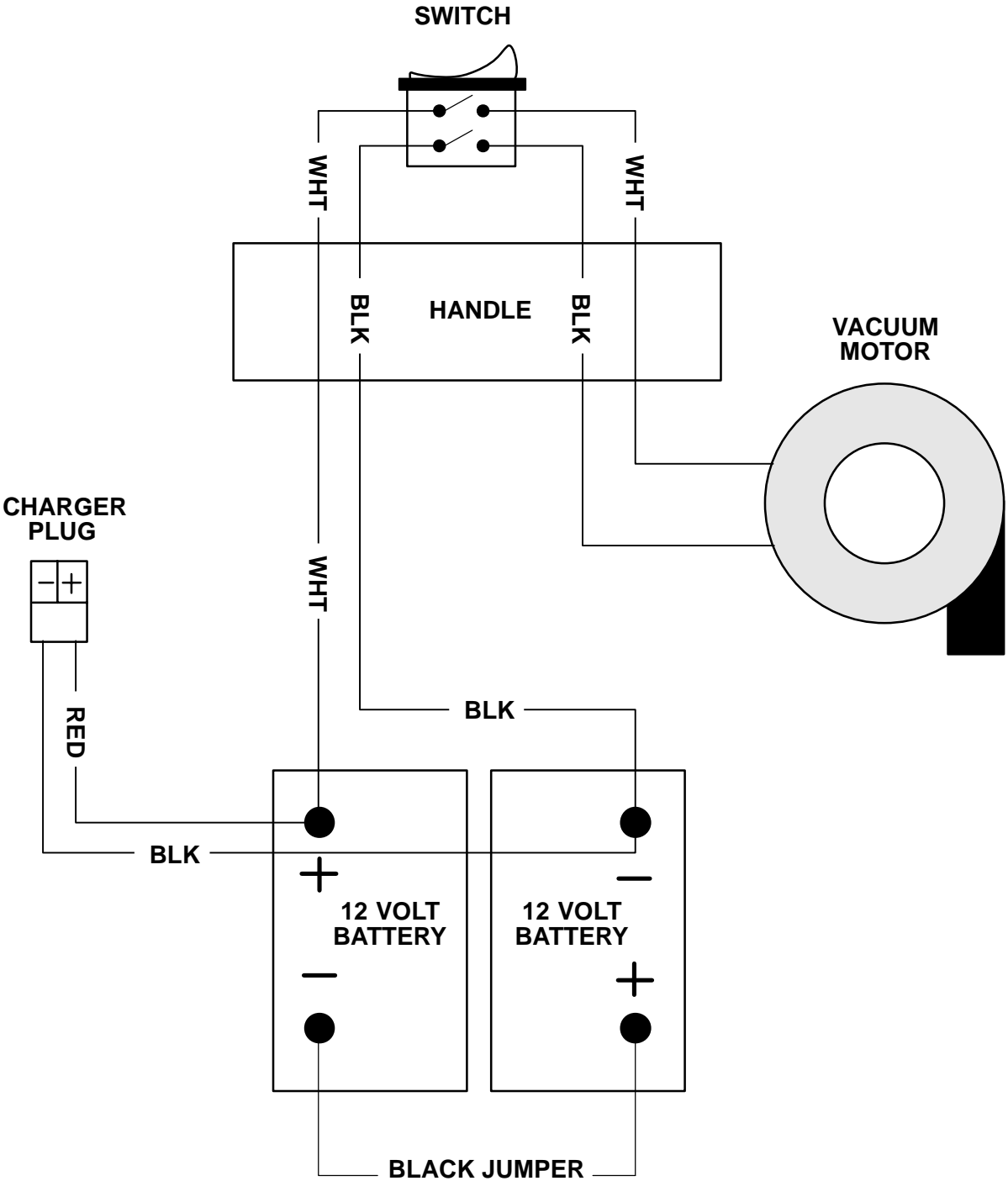
OPERACIÓN

ESPECIFICACIONES DE LA MÁQUINA

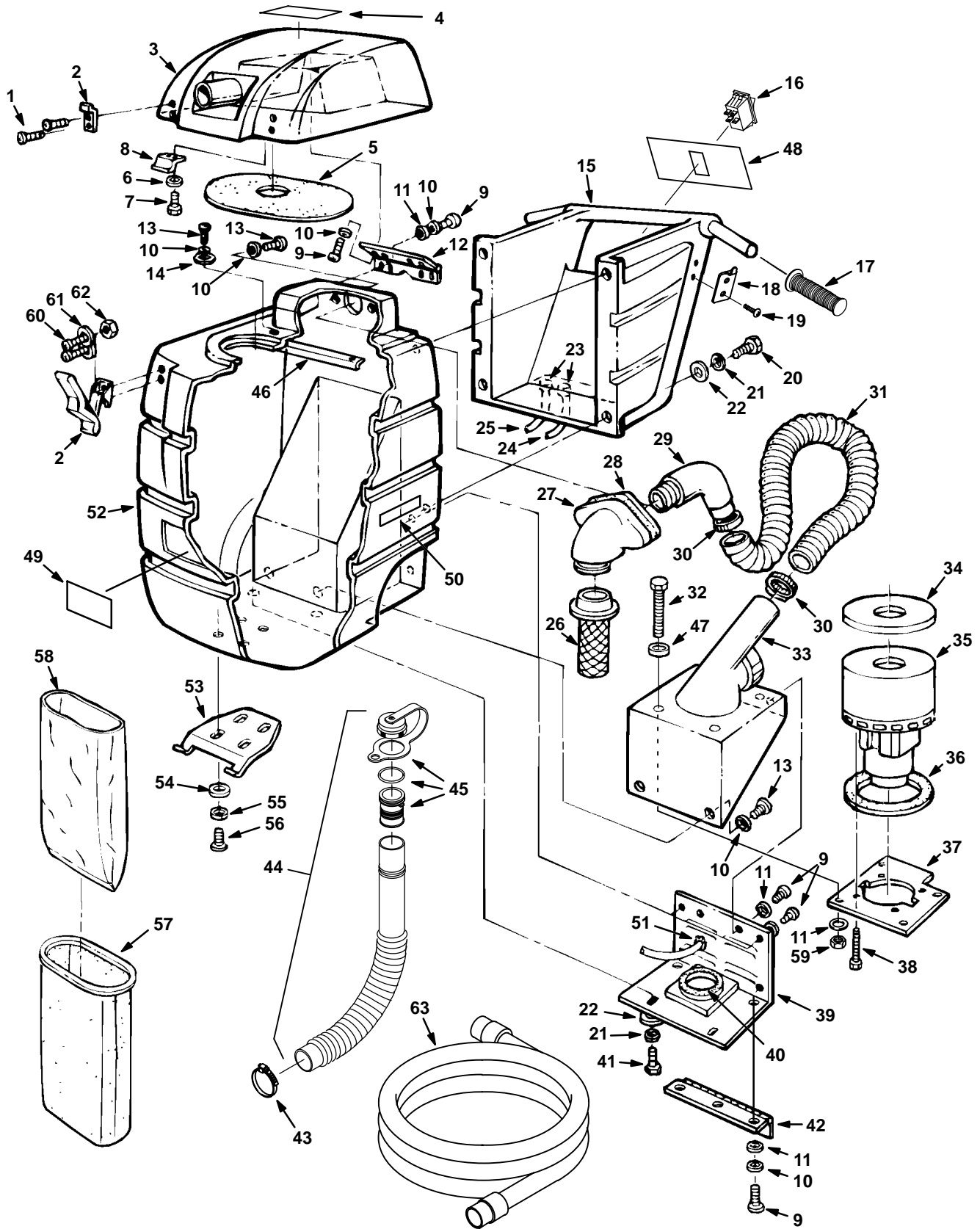
Modelo	TYPHOON™ 16B
LARGO	840 mm (33 in)
ANCHO	530 mm (21 in)
ALTO	1090 mm (43 in)
PESO / PESO CON BATERÍAS	41 Kg (90 lbs) / 107 Kg (235 lbs)
CAPACIDAD DEL DEPÓSITO DE RECUPERACIÓN	60.75 L (16 Gal)
CAPIDAD DE BOLSA DE ASPIRACIÓN	Trapo 15.5 L ³ (0.44 fanegas) Papel 22.7 L ³ (0.65 fanegas)
MOTOR DE ASPIRACIÓN	24V, 3-fases, .75hp, 23A, 566W
ANCHO DE RECORRIDO DEL ESCURRIDOR OPCIONAL	685 mm (27 in) 864 mm (34 in) 1016 mm (40 in)
FLUJO DE AIRE / ELEVACIÓN SELLADA DE AGUA	70 cfm (1.98 m ³ /h) / 1780 mm (70 in)
BATERÍAS	2-12V carga profunda, ácido de plomo, 105AH or 130AH
TIEMPO DE FUNCIONAMIENTO, CONTINUO	Hasta 4 horas
CLASIFICACION NOMINAL DE DECIBELES EN EL OIDO DEL OPERADOR, BAJO TECHO SOBRE BALDOSAS	>70dB(A)

DIMENSIONES DE LA MÁQUINA





TANK GROUP
CONJUNTO DEL TANQUE



TANK GROUP
CONJUNTO DEL TANQUE

REF	PART #	DESCRIPTION	QTY.
1	609980	SCREW, #8-32X3/8 TRSPHL	4
2	140932	●LATCH, RUBBER, W/ KEEPER	2
▽ 3	614126	ASSEMBLY, COVER WITH LABEL, GREEN	1
▲ 4	613290	LABEL, WARNING	1
▲ 5	613233	●GASKET, COVER	1
6	140031	WASHER, #10 LOCK	2
7	140197	SCREW, #10-24X3/8 TRSPHL	2
8	230497	BRACKET, AIR DEFLECTOR	1
9	140195	SCREW, 1/4-20X1/2 TRSPHL	20
10	578244000	WASHER, M6.4 LOCK	20
11	140000	WASHER, 1/4 FLAT	20
12	230318	HINGE, COVER	1
13	140824	SCREW, 1/4-20X5/8 TRSPHL	6
14	140003	WASHER, 1/4x1 FENDER	2
15	608461	HANDLE, GREEN	1
16	608605	●SWITCH, ROCKER	1
17	200823	GRIP, HANDLE	2
18	1006890	BRACKET, DRAIN HOSE HANGER	1
19	140825	SCREW, #6X1/2 PANPHL	2
20	140231	SCREW, 3/8-16X1-1/2 HEXHD	4
21	140017	WASHER, 3/8 LOCK	6
22	140028	WASHER, 3/8 FLAT	6
23	130110	BUSHING, STRAIN RELIEF	2
24	130384	ASSEMBLY, WIRE, 14/2X26" BLACK	1
25	130385	ASSEMBLY, WIRE, 14/2X45" BLACK	1
26	180613	●FLOAT, SHUT-OFF SCREEN	1
27	100381	ELBOW, VAC TUBE	1
28	100096	●GASKET, VAC TUBE ELBOW	1
29	700435	ASSEMBLY, PVC ELBOW	1
30	140308	CLAMP, HOSE	2
31	160482	●HOSE, VACUUM, 2.0X13 IN	1
32	140199	SCREW, 1/4-20X4-1/2 HXHDCP	4

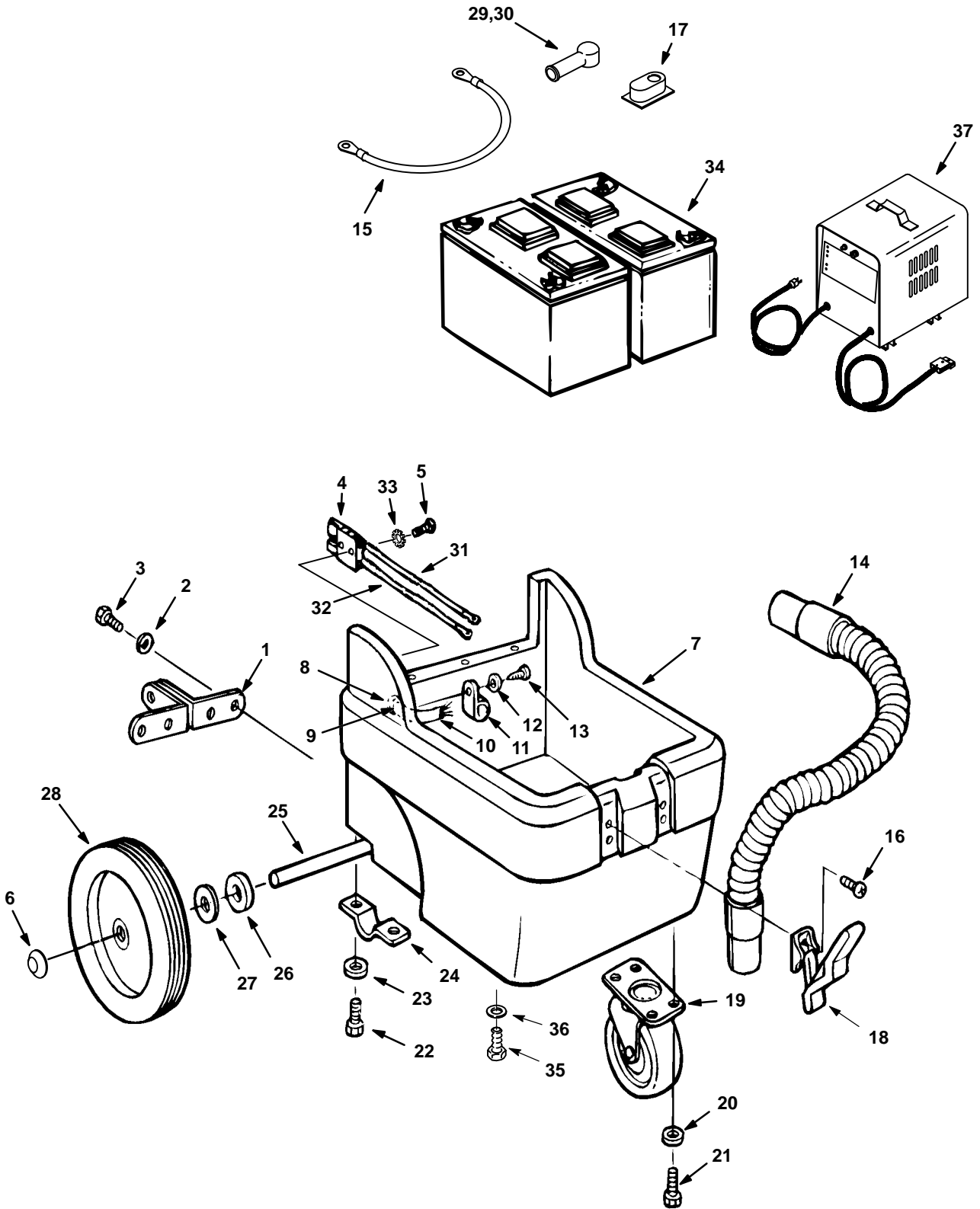
REF	PART #	DESCRIPTION	QTY.
33	100380	MOUNT, VAC MOTOR	1
34	100038	●GASKET, VAC MOTOR	1
▽ 35	130397	●MOTOR, VACUUM, 24VDC	1
▲	190163	●BRUSH, CARBON (2/PK)	1
36	100143	●GASKET, VAC MOTOR	1
37	230522	PLATE, MOTOR MOUNT	1
38	140340	SCREW, #10X5/8 PANPHL	4
39	230980.BK	PLATE, COVER, MOTOR	1
40	100831	●GASKET, VAC MOTOR END	1
41	02994	SCREW, 3/8-16X3/4 HEXHD	2
42	230951	HINGE	1
43	614157	CLAMP, HOSE	1
▽ 44	1007072	ASSEMBLY, DRAIN HOSE	1
▲ 45	1008639	ASSEMBLY, DRAIN CAP	1
46	230482.BK	BRACKET, SUPPORT	1
47	140003	WASHER, 1/4x1 FENDER	4
48	600654	DECAL, DASH	1
49	608185	LABEL, NOBLES LOGO	1
50	608494	DECAL, "TYPHOON 16B"	2
51	140504	NUT, CONDUIT, 1/2 NPT	1
52	608616	TANK, RECOVERY, GREEN	1
53	230949	PLATE, LATCH	1
54	140027	WASHER, 5/16 FLAT	4
55	140015	WASHER, 5/16 LOCK	4
56	140226	SCREW, 5/16-18X5/8 HEXHD	4
57	900105	●FILTER, BAG, CLOTH	1
58	611785	●BAG, FILTER, PAPER (PKG OF 10)	1
59	41169	NUT, 1/4-20 LOCK	4
60	140287	SCREW, M4X.7X16 PANPHL	4
61	140011	WASHER, 3/16 FLAT	4
62	140288	NUT, M4 LOCK	4
63	160481	●HOSE, VACUUM, 1-1/2x10 FT	1

▽ ASSEMBLY / CONJUNTO

▲ INCLUDED IN ASSEMBLY / INCLUIDO EN EL CONJUNTO

● RECOMMENDED STOCK ITEMS / ARTICULOS RECOMENDADOS PARA MANTENER EN EXISTENCIA

BASE GROUP
GRUPO BASE



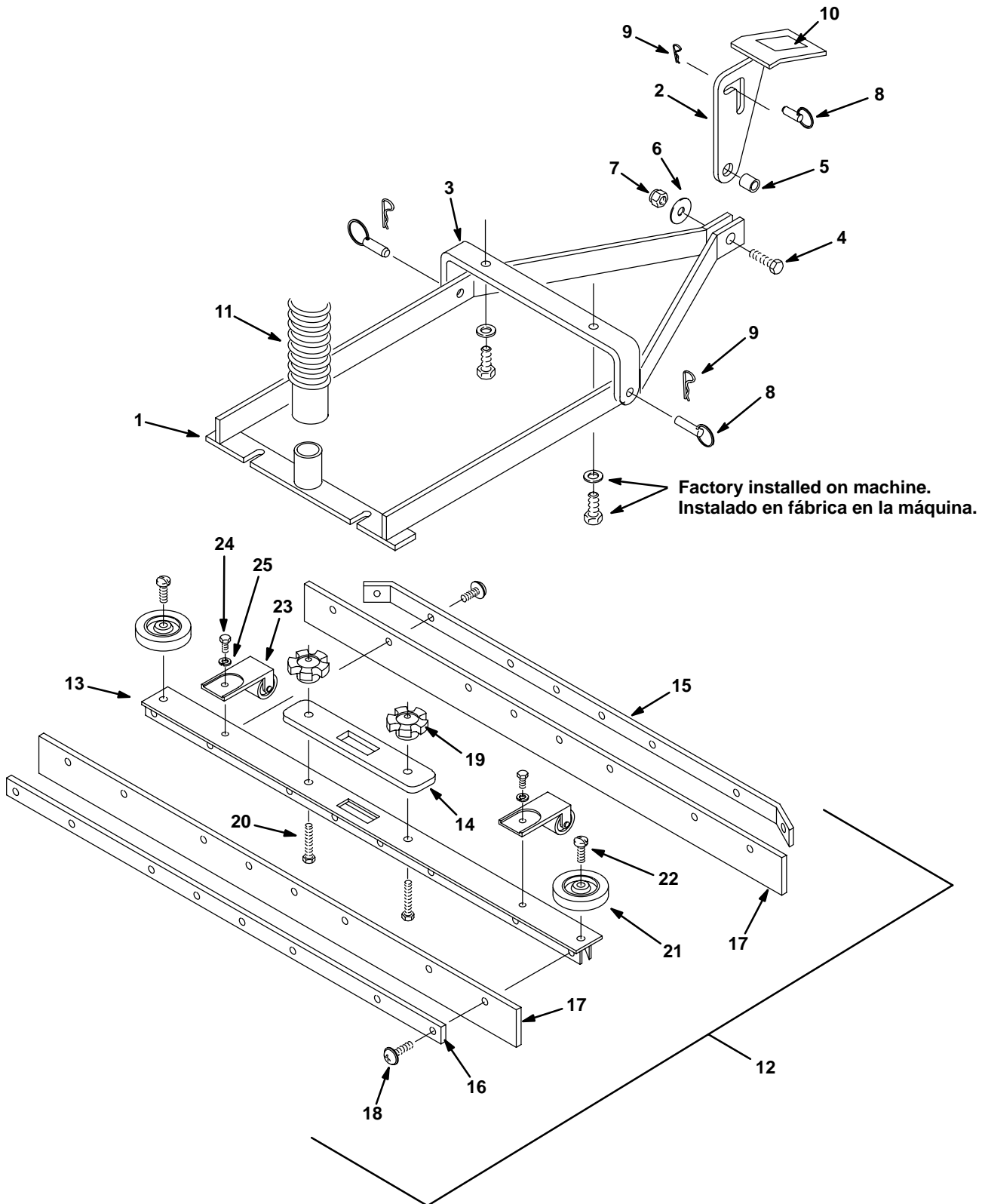
BASE GROUP
GRUPO BASE

REF	PART #	DESCRIPTION	QTY.
1	230950	BRACKET, SQUEEGEE	2
2	140016	WASHER, 1/4 LOCK	4
3	01696	SCREW, 1/4-20X1/2 HEXHD	4
4	605387	CONNECTOR	1
5	2728.12	SCREW, #6-32X3/4 PANPHL	2
6	103019	CAP, HUB, WHEEL	2
7	608820	BATTERY BASE HOUSING, GREEN	1
8	130110	BUSHING, STAIN RELIEF	1
9	240220	GROMMET	1
10	130385	ASM. WIRE 14/2X45"	1
11	140304	CLAMP, HOSE	1
12	140011	WASHER, 3/16 FLAT	1
13	140825	SCREW, #6X1/2 PANPHL	1
14	160630	●HOSE, VACUUM, 1-1/2X43 IN	1
15	130364	CABLE, BATTERY	1
16	609980	SCREW, #8-32X3/8 TRSPHL	4
17	45962	CAP	4
18	140932	LATCH, RUBBER, W/ KEEPER	2
19	103065	●CASTER, 4" SWIVEL	2

REF	PART #	DESCRIPTION	QTY.
20	140015	WASHER, 5/16 LOCK	8
21	140226	SCREW, 5/16-18X5/8 HEXHD	8
22	01696	SCREW, 1/4-20X1/2 HEXHD	4
23	140016	WASHER, 1/4 LOCK	4
24	230746	BRACKET, AXLE	2
25	608907	AXLE	1
26	140063	WASHER, 1/2 FLAT, NYLON	2
27	140045	WASHER, 1/2 FLAT	2
28	103009	●WHEEL, 12"X1.75	2
29	611221	BOOT, CABLE, BATTERY, BLACK	2
30	611222	BOOT, CABLE, BATTERY, RED	2
31	701163	ASSEMBLY, WIRE, #14X17" RED	1
32	701164	ASSEMBLY, WIRE, #14X22" BLACK	1
33	140019	WASHER, #6 LOCK	2
34	578426	BATTERY, 12V, 105AH	2
	130869	BATTERY, 12V, 130AH	2
35	02994	SCREW, 3/8-16X3/4 HEXHD	2
36	140017	WASHER, 3/8 LOCK	2
37	603553	CHARGER, 24VDC, 12 AMP	1

● RECOMMENDED STOCK ITEMS / ARTICULOS RECOMENDADOS PARA MANTENER EN EXISTENCIA

SQUEEGEE KIT ASSEMBLY
PIEZAS DE LA RASQUETA DE CAUCHO



**SQUEEGEE KIT ASSEMBLY
PIEZAS DE LA RASQUETA DE CAUCHO**

REF	PART #	DESCRIPTION	QTY.
▽	190108	KIT, SQUEEGEE, 685 MM (27 IN)	1
	190972	KIT, SQUEEGEE, 864 MM (34 IN)	1
	190958	KIT, SQUEEGEE, 1016 MM (40 IN)	1
▲ 1	230453.BK	WELDMENT, SQUEEGEE LIFT	1
▲ 2	230456	PEDAL, LIFT	1
▲ 3	230454	BRACKET, SQUEEGEE MOUNT	1
▲ 4	611048	SCREW, 3/8-16X1-1/4 HEXHD	1
▲ 5	140925	SPACER, CHASSIS, 3/16	1
▲ 6	140028	WASHER, 3/8 FLAT	1
▲ 7	59156	NUT, 3/8-16 HXLCK	1
▲ 8	630258	PIN, CLEVIS	3
▲ 9	612254000	PIN, HAIR	3
▲ 10	102560	PAD, NON-SLIP	1
▲ 11	*160462	HOSE, VACUUM 1-1/2X33 IN	1
▲▽ 12	602831	ASM., SQUEEGEE, 685 MM (27 IN)	1
	603494	ASM., SQUEEGEE, 864 MM (34 IN)	1
	603496	ASM., SQUEEGEE, 1016 MM (40 IN)	1
▲ 13	230727.BK	CHANNEL, SQUEEGEE, 685 MM (27 IN)	1
	230682.BK	CHANNEL, SQUEEGEE, 864 MM (34 IN)	1
	230692.BK	CHANNEL, SQUEEGEE, 1016 MM (40 IN)	1

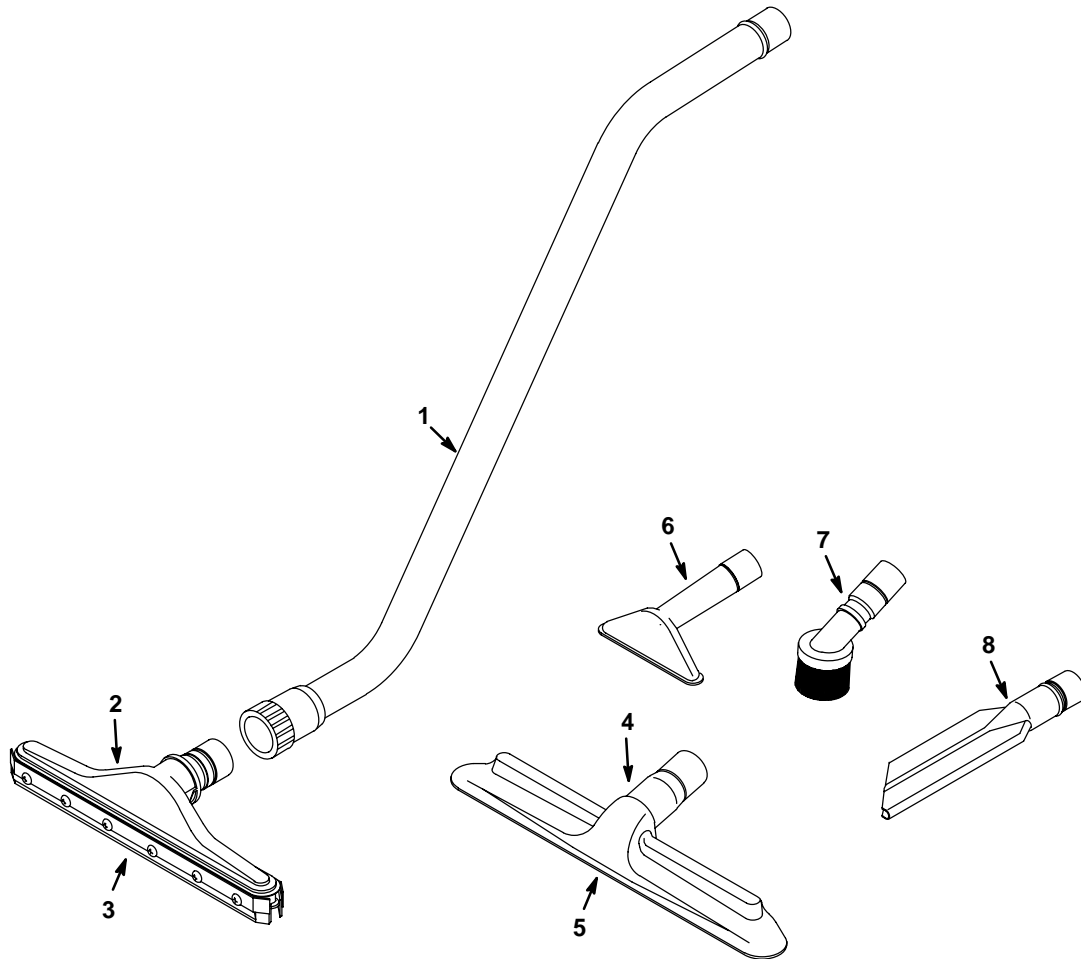
REF	PART #	DESCRIPTION	QTY.
▲ 14	100150	GASKET, SQUEEGEE	1
▲ 15	230725.BK	PLATE, REAR, 685 MM (27 IN)	1
	230669.BK	PLATE, REAR, 864 MM (34 IN)	1
	230685.BK	PLATE, REAR, 1016 MM (40 IN)	1
▲ 16	230723.BK	PLATE, FRONT, 685 MM (27 IN)	1
	230670.BK	PLATE, FRONT, 864 MM (34 IN)	1
	230686.BK	PLATE, FRONT, 1016 MM (40 IN)	1
▲ 17	603659	BLADE, SQUEEGEE, 685 MM (27 IN)	2
	603661	BLADE, SQUEEGEE, 864 MM (34 IN)	2
	603662	BLADE, SQUEEGEE, 1016 MM (40 IN)	2
▲ 18	605975	SCREW, #10-24X1/2 TRSPHL SEMS	18-28
▲ 19	605361	KNOB, ROUND	2
▲ 20	140221	SCREW, 5/16-18X1-1/4 HXHDCP	2
▲ 21	630450	WHEEL, RUBBER	2
▲ 22	140799	SCREW, 5/16-18X1-1/2 TRSPHL	2
▲ 23	700844	ASM., SQUEEGEE ROLLER	2
▲ 24	140226	SCREW, 5/16-18X5/8 HEXHD	2
▲ 25	140015	WASHER, 5/16 LOCK	2

▽ ASSEMBLY / CONJUNTO

▲ INCLUDED IN ASSEMBLY / INCLUIDO EN EL CONJUNTO

* Use 109 cm (43 in) vacuum hose, 160630, supplied with machine / Utilice la manguera 109 cm (43 in) 160630, que se provee de la máquina

**WET/DRY TOOL KIT
KIT DE HERRAMIENTA SECO MOJADO**



REF	PART #	DESCRIPTION	QTY.
▽	605178	●KIT, VACUUM & FLOOR, 406 MM (16 IN)	1
▲▽ 1	6108.1	●WAND, TWO BEND ALUMINUM	1
▲	605257	●RING, LOCK	1
▲	600828	●NUT, WAND COUPLING	1
▲▽ 2	13840	●SQUEEGEE ASSEMBLY, PUSH/PULL, 355 MM (14 IN)	1
▲ 3	605137	●BLADES, REPLACEMENT (SET/4)	1

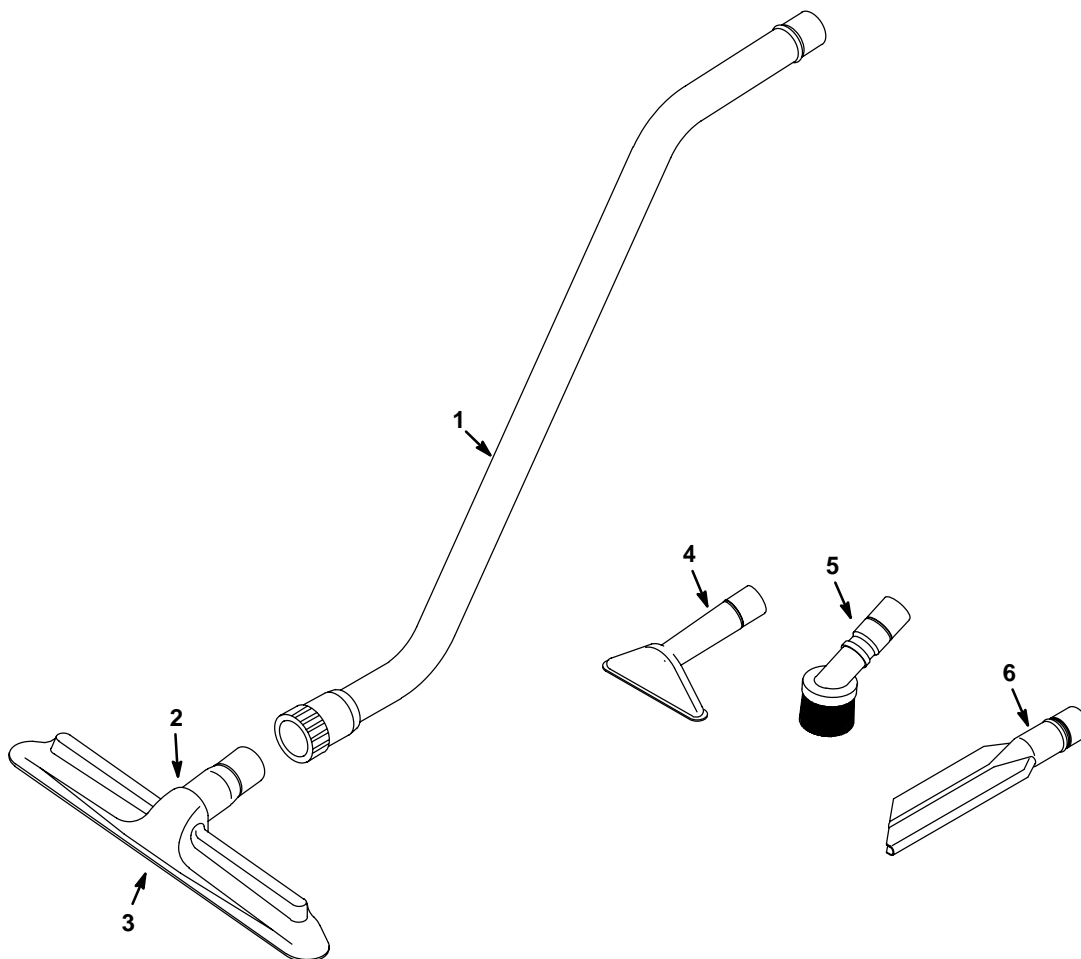
REF	PART #	DESCRIPTION	QTY.
▲▽ 4	14043	●TOOL, FLOOR & RUG, 406 MM (16 IN)	1
▲ 5	605141	●BRUSH, REPLACEMENT	1
▲ 6	6057	●TOOL, UPHOLSTERY, 127 MM (5 IN)	1
▲ 7	6117	●BRUSH, DUSTING, 76 MM (3 IN)	1
▲ 8	6170	●TOOL, CREVICE, 279 MM (11 IN)	1

▽ ASSEMBLY / CONJUNTO

▲ INCLUDED IN ASSEMBLY / INCLUIDO EN EL CONJUNTO

● RECOMMENDED STOCK ITEMS / ARTICULOS RECOMENDADOS PARA MANTENER EN EXISTENCIA

**DRY TOOL KIT
KIT DE HERRAMIENTA SECO**



REF	PART #	DESCRIPTION	QTY.
▽	605177	●KIT, FLOOR & VACUUM, 279 MM (11 IN) DRY	1
▲▽ 1	6108.1	●WAND, TWO BEND ALUMINUM	1
▲	605257	●RING, LOCK	1
▲	600828	●NUT, WAND COUPLING	1

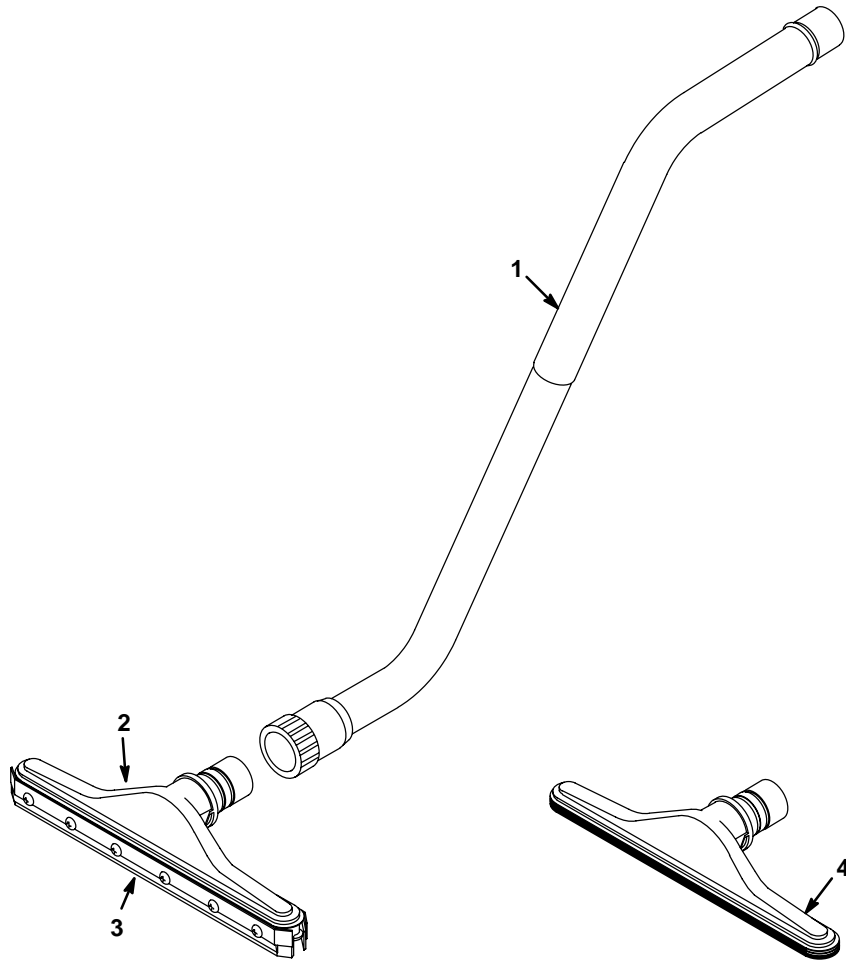
▽ ASSEMBLY / CONJUNTO

▲ INCLUDED IN ASSEMBLY / INCLUIDO EN EL CONJUNTO

● RECOMMENDED STOCK ITEMS / ARTICULOS RECOMENDADOS PARA MANTENER EN EXISTENCIA

REF	PART #	DESCRIPTION	QTY.
▲▽ 2	605136	●TOOL, FLOOR & RUG, 279 MM (11 IN)	1
▲ 3	605138	●BRUSH, REPLACEMENT	1
▲ 4	6057	●TOOL, UPHOLSTERY, 127 MM (5 IN)	1
▲ 5	6117	●BRUSH, DUSTING, 76 MM (3 IN)	1
▲ 6	6170	●TOOL, CREVICE, 279 MM (11 IN)	1

**FLOOR & CARPET TOOL KIT
KIT DE HERRAMIENTA PARA LOS PISOS Y LA ALFOMBRA**



REF	PART #	DESCRIPTION	QTY.
▽	190142	●KIT, FLOOR/CARPET TOOL	1
▲▽ 1	190722	●WAND, TWO BEND, 2PC CHROME	1
▲	605257	●RING, LOCK	1
▲	600828	●NUT, WAND COUPLING	1

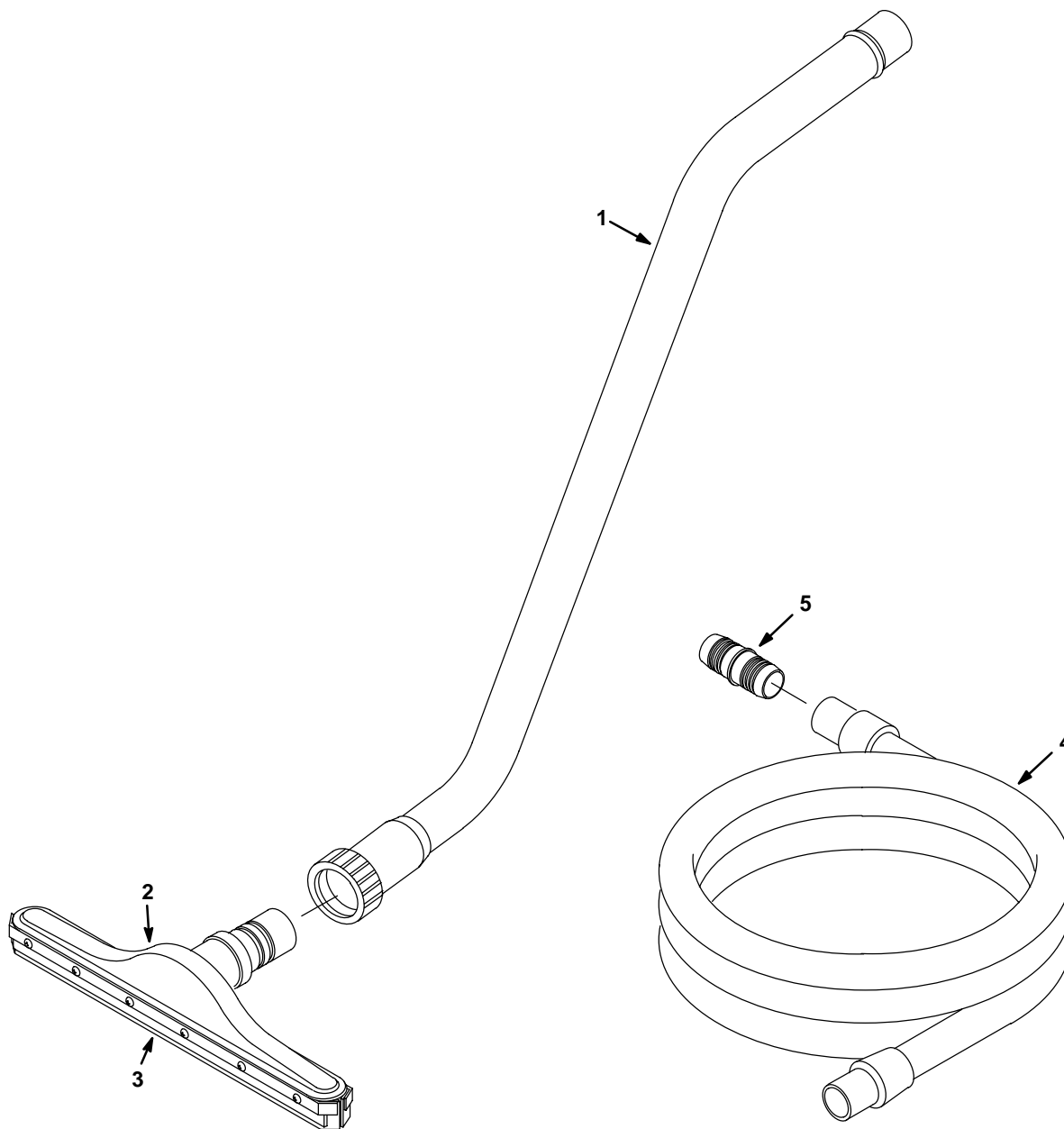
REF	PART #	DESCRIPTION	QTY.
▲▽ 2	13840	●SQUEEGEE ASSEMBLY, PUSH/PULL, 355 MM (14 IN)	1
▲ 3	605137	●BLADES, REPLACEMENT (SET/4)	1
▲ 4	603840	●TOOL, CARPET, SCALLOPED FACE, 355 MM (14 IN)	1

▽ ASSEMBLY / CONJUNTO

▲ INCLUDED IN ASSEMBLY / INCLUIDO EN EL CONJUNTO

● RECOMMENDED STOCK ITEMS / ARTICULOS RECOMENDADOS PARA MANTENER EN EXISTENCIA

WET PICK-UP TOOL KIT
KIT DE HERRAMIENTA MOJADO



REF	PART #	DESCRIPTION	QTY.
▽	190928	●KIT, WET PICK-UP	1
▲▽ 1	6108.1	●WAND, TWO BEND ALUMINUM	1
▲	605257	●RING, LOCK	1
▲	600828	●NUT, WAND COUPLING	1
▲▽ 2	13840	●SQUEEGEE ASSEMBLY, PUSH/PULL, 355 MM (14 IN)	1
▲ 3	605137	●BLADES, REPLACEMENT (SET/4)	1

REF	PART #	DESCRIPTION	QTY.
▲ 4	160481	●HOSE, VAC, 1-1/2X3 M (10 FT)	1
▲ 5	160451	●CONNECTOR, 1-1/2 VAC HOSE	1

▽ ASSEMBLY / CONJUNTO

▲ INCLUDED IN ASSEMBLY / INCLUIDO EN EL CONJUNTO

● RECOMMENDED STOCK ITEMS / ARTICULOS RECOMENDADOS PARA
MANTENER EN EXISTENCIA