



Electronic Service Manuals

This electronic document is provided as a service to our customers. We do not create the contents of the information contained in this document. Should you have detailed questions pertaining to the information contained in this document, you may contact Michco, or the manufacturer which provided the original information in this electronic deliverable. Michco's only part in this electronic deliverable was the electronic assembly process. By providing this manual on line we are not guaranteeing parts availability.

You may contact Michco through the following methods:

Phone (517) 484-9312 or (800) 331-3339

2011 N. High St. -- Lansing, Michigan -- 48906

Fax: (517) 484-9836

Email: CustServe@Michco.com

Web site: www.Michco.Com

Parts Web site: www.FloorMachineParts.Com

Order Parts on Line at:

www.FloorMachineParts.Com

Directly to Parts & Service:

By Email: **Shop@Michco.com**

By Fax: (517) 702-2041

By Voice: Use numbers above.

Serving the Cleaning Industry Since 1922

Notice: All copyrighted material remains property of original owners, all trademarks are property of respective owners. Manuals are subject to Manufacturer's reproduction limitations. Originals or reproductions were provided by manufacturers through a request. We make no warranty as to the correctness of information provided in this document and you assume all risk. By placing these manuals on line we are not declaring our corporation to be an manufacturer authorized dealer or provider, please check our web site for authorized manufacturers we represent.

ENGLISH - ESPAÑOL

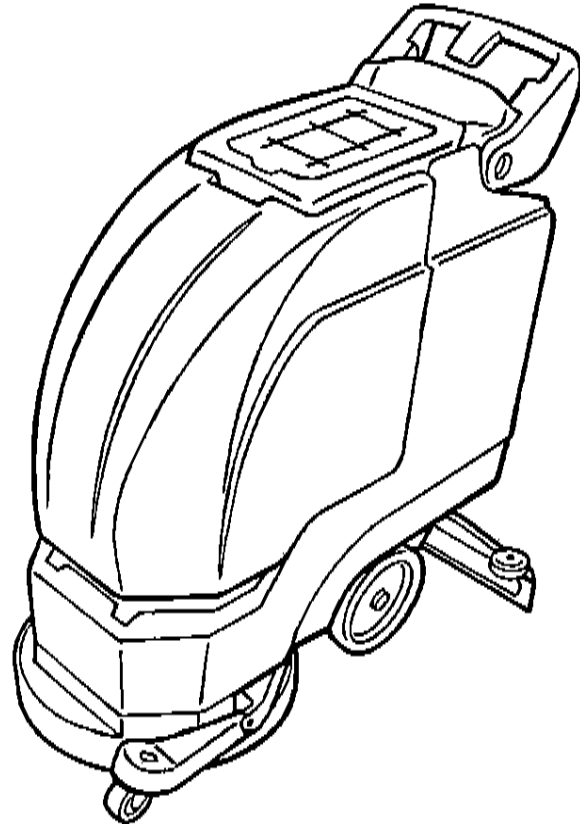


Speed Scrub™ 1701 Plus

Battery Automatic Scrubber
Fregadora Automática Batería

Model No.:
608336
608337 - Pac
609245 - Can. Pac

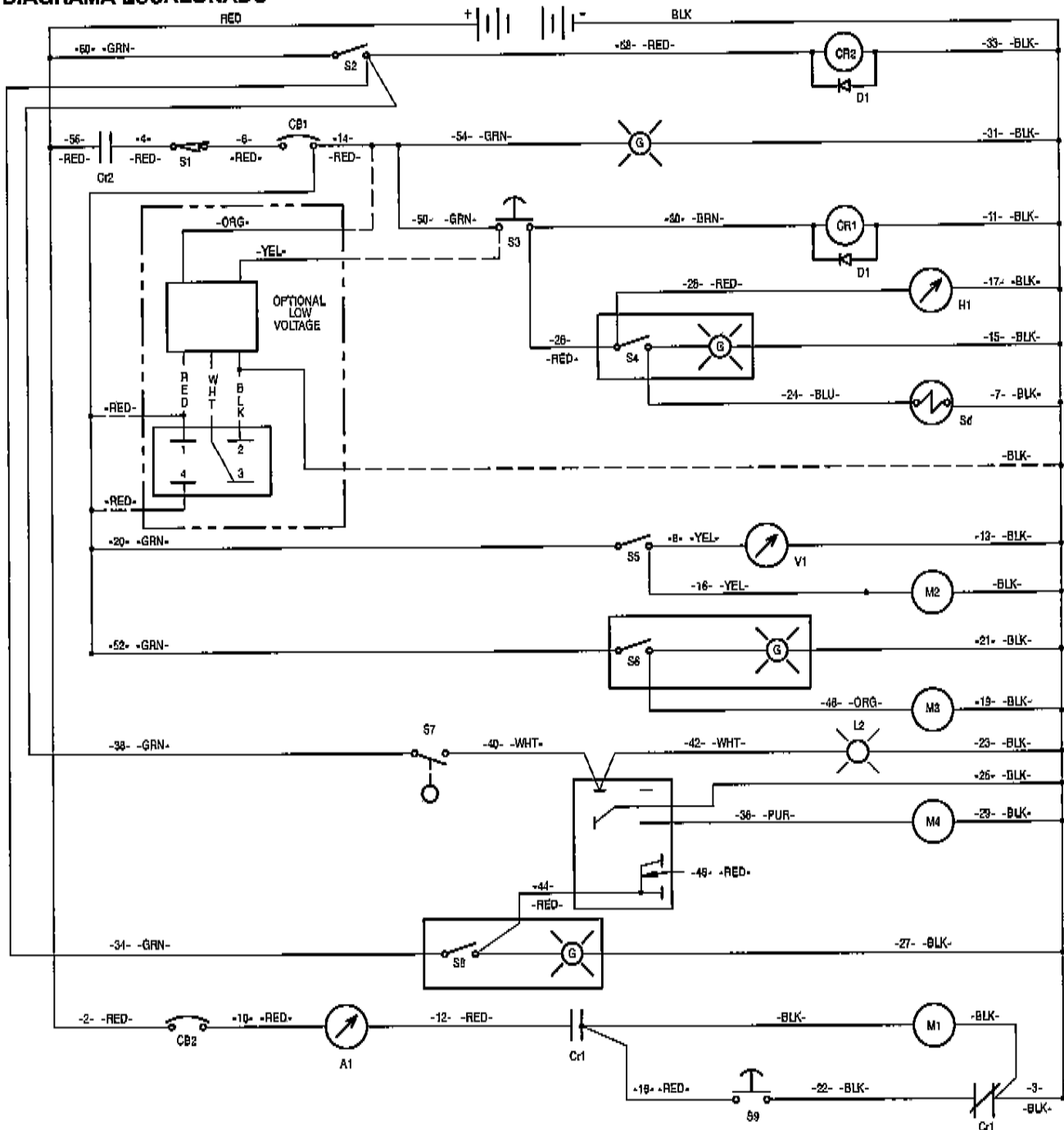
Operator and Parts Manual
Manual de Operación y de Piezas



608362
Rev. 04 (06-05)

**ELECTRICAL DIAGRAMS
DIAGRAMAS ELECTRICAS**

**LADDER DIAGRAM
DIAGRAMA ESCALONADO**



REF LEGEND

- RED= Red
- BLK= Black
- GRN= Green
- WHT= White
- ORG= Orange
- BLU= Blue
- BRN= Brown
- PUR= Purple
- YEL= Yellow
- A1= Ammeter
- CR1 = Contactor Coil
- CR2 = Contactor Coil

REF LEGEND

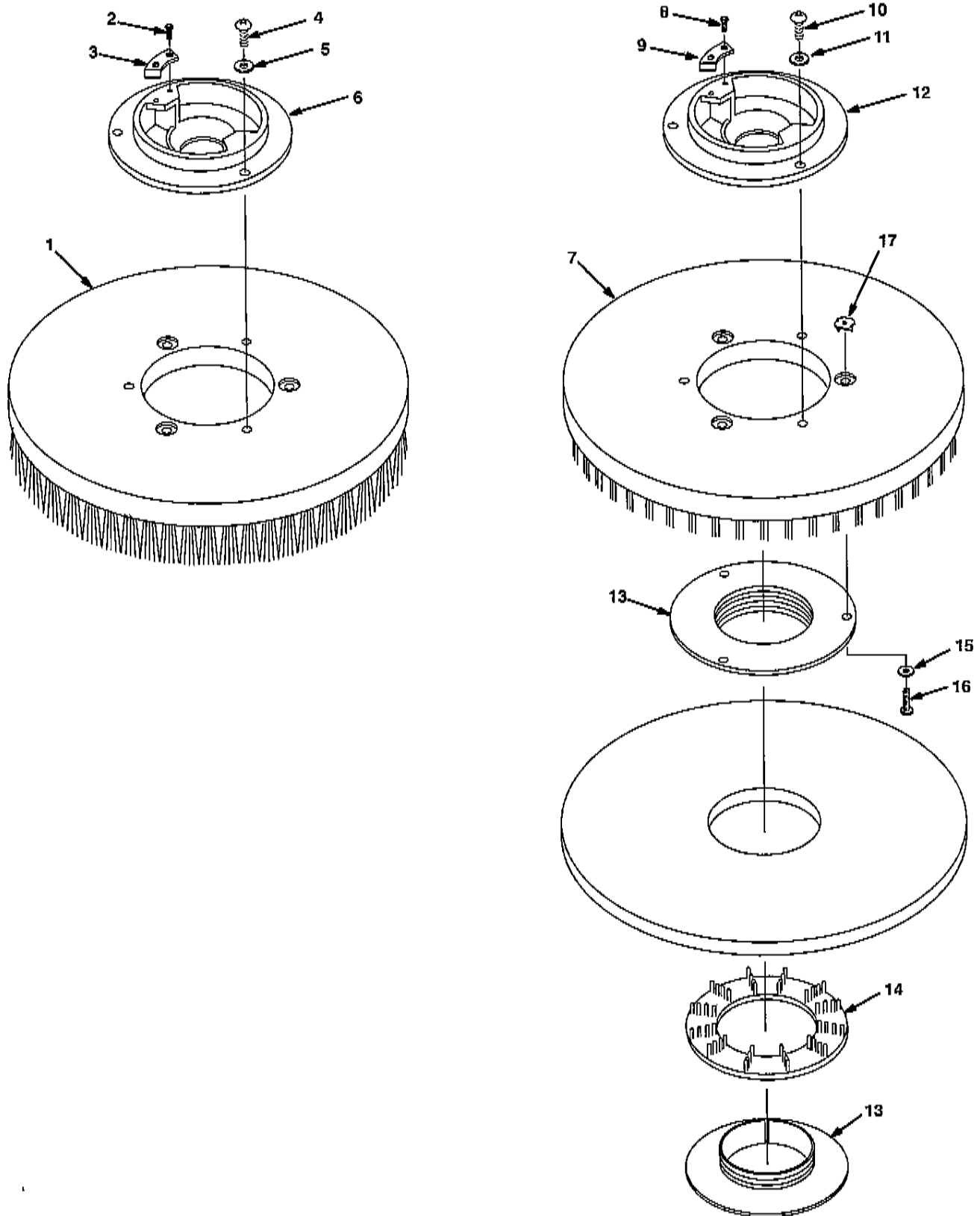
- cr1= Contactor Relay
- CB1 = Circuit Bkr. Main 20A
- CB2 = Breaker, Circuit 35A
- D1= Diode
- H1= Hourmeter
- L1= Light, Indicator
- L2= Light, Full Tank
- M1= Motor, Brush
- M2= Motor, Vacuum
- M3= Motor, Wand
- M4= Motor, Recycle
- S1= Switch, Chg Cut-off

REF LEGEND

- S2= Switch, Key
- S3= Switch, Brush
- S4= Switch, Solution
- S5= Switch, Vacuum
- S6= Switch, Wand
- S7= Switch, Float
- S8= Switch, Recycle
- S9= Switch, Brush Off
- Sd= Valve, Solenoid
- T1= Relay, Timer
- V1= Voltmeter

PARTS LIST
LISTA DE PIEZAS

REPLACEMENT BRUSHES AND PAD DRIVER GROUP
SUSTITUCIÓN DEL CONJUNTO DEL IMPULSOR DE LA ALMOHADILLA Y CEPILLOS



PARTS LIST
LISTA DE PIEZAS

REPLACEMENT BRUSHES AND PAD DRIVER GROUP
SUSTITUCIÓN DEL CONJUNTO DEL IMPULSOR DE LA ALMOHADILLA Y CEPILLOS

REF.	PART #	DESCRIPTION	QTY
▽ 1	370000	●ASM., BRUSH 17" NYLON SCRUB	1
	370002	●ASM., BRUSH 17" GRIT STRIP	1
	370007	●ASM., BRUSH 17" POLY SCRUB	1
▲ 2	370052	SCREW, FLT #06 X 0.31	4
▲ 3	603438	PLATE, WEAR	2
▲ 4	32746	SCREW, PAN M6 X 1.0 X 35	3
▲ 5	01684	WASHER, FLAT 0.25	3
▲ 6	601453	●PLATE, CLUTCH	1

▽ ASSEMBLY / CONJUNTO

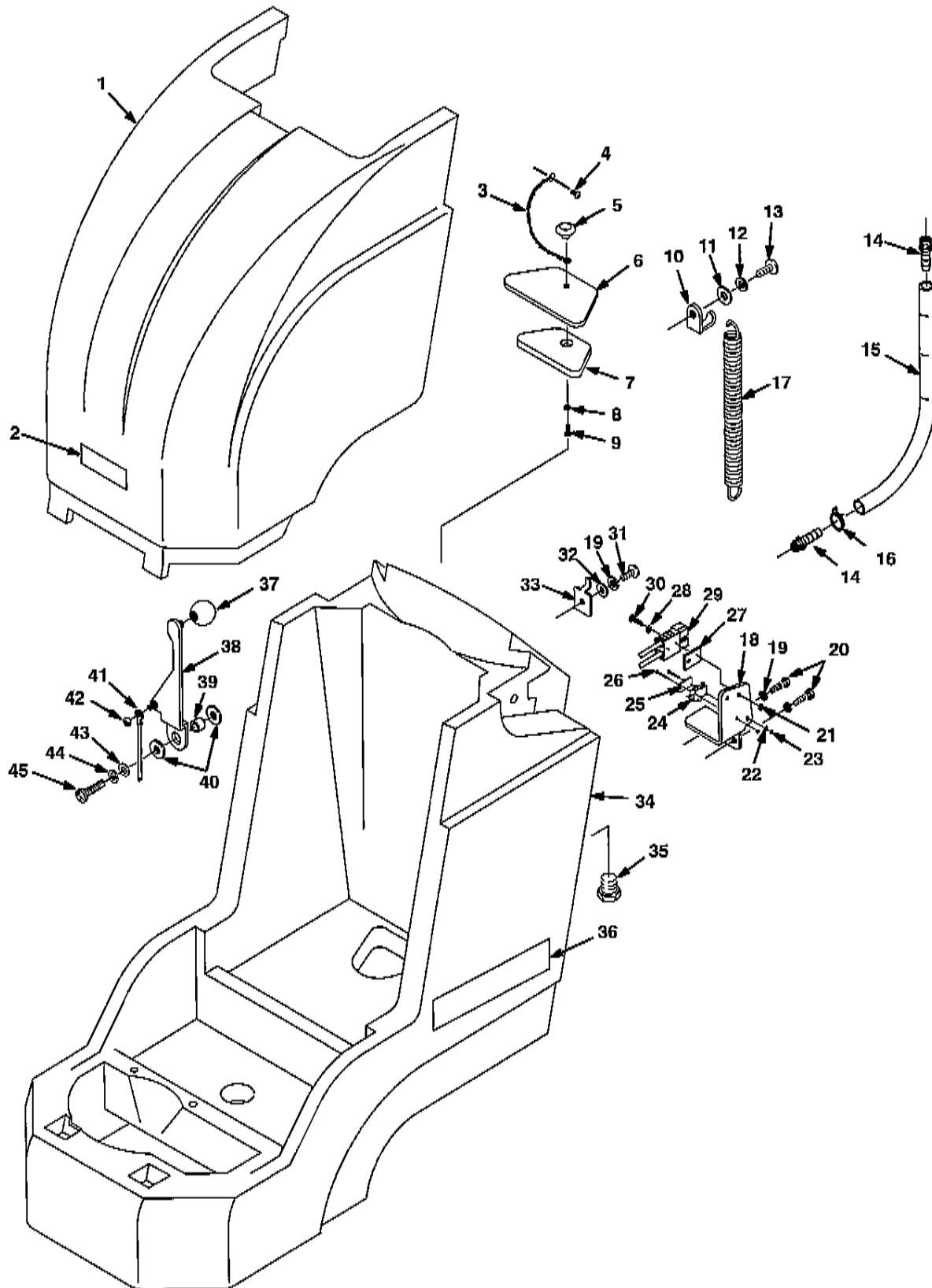
▲ INCLUDED IN ASSEMBLY / INCLUIDO EN EL CONJUNTO

● RECOMMENDED STOCK ITEMS / ARTICULOS RECOMENDADOS PARA
MANTENER EN EXISTENCIA

REF.	PART #	DESCRIPTION	QTY
▽ 7	606227	●ASM., PAD DRIVER 17"	1
▲ 8	370052	SCREW, FLT #06 X 0.31	4
▲ 9	603438	PLATE, WEAR	2
▲ 10	32746	SCREW, PAN M6 X 1.0 X 35	3
▲ 11	01684	WASHER, FLAT 0.25	3
▲ 12	601453	●PLATE, CLUTCH	1
▲ 13	603991	●PAD HOLDER	1
▲ 14	32505	WASHER, BRUSH PAD 5.65D	1
▲ 15	41579	WASHER, FLAT #08	3
▲ 16	04403	SCREW, PAN M4X0.7X25 NY	3
▲ 17	10908	NUT, T M4 X 0.7	3

PARTS LIST
LISTA DE PIEZAS

SOLUTION TANK GROUP
GRUPE DEL DEPÓSITO DE DISOLUCIÓN



**PARTS LIST
LISTA DE PIEZAS**

**SOLUTION TANK GROUP
GRUPE DEL DEPÓSITO DE DISOLUCIÓN**

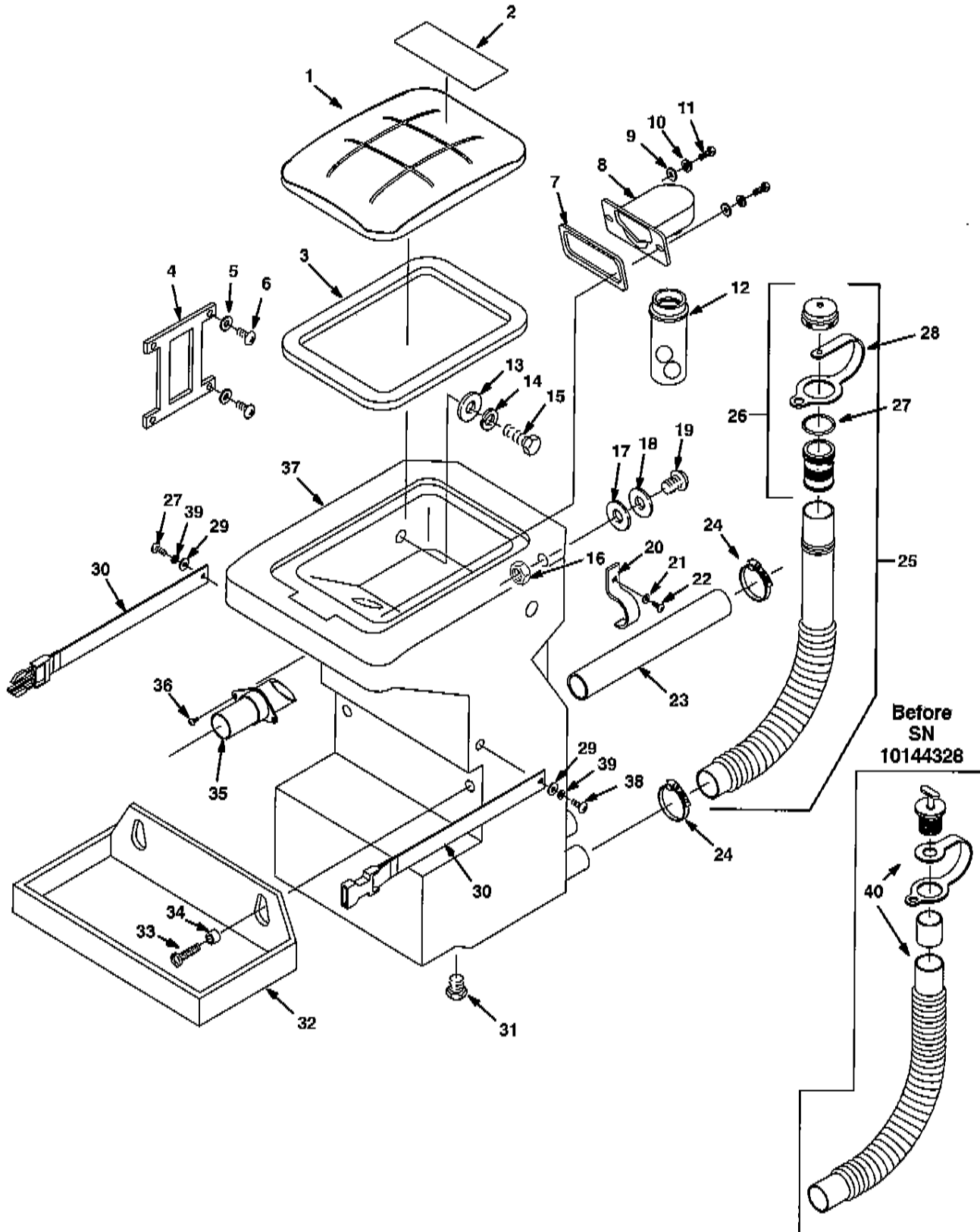
REF	PART #	DESCRIPTION	QTY
1	608358	COVER, BATTERY, GREEN	1
2	608188	DECAL, NOBLES 7.06" OVAL	1
3	230513	CHAIN ASSEMBLY	1
4	140825	SCREW, #6X1/2 PANPHL SHTMTL	1
5	578301	KNOB, FILL COVER	1
6	610108	COVER, REAR FILL BLACK	1
7	610109	GASKET, REAR FILL COVER	1
8	07514	WASHER, LOCK INT #10, SS	1
9	578201000	SCREW 10-32X.5 PAN PHL	1
10	610204	BRACKET, SPRING	1
11	140027	WASHER, FLAT 0.31	1
12	140015	WASHER, LOCK SPLIT 0.31	1
13	15675	SCREW, HEX M8X1.25X16	1
14	14884	FITTING, BR5 STR BM08/PM06	2
15	610256	HOSE, DRAIN W/LEVEL INDICATOR	1
16	607776	CLAMP, HOSE .73-.77 WIRE BLK	1
17	140423	SPRING, BRUSH PRESSURE	1
18	601466	BRACKET, CHARGE PLUG	1
19	140016	WASHER, LOCK 0.25	3
20	608322	SCREW, TRS M6X1.0X16 PHL	2
21	140539	NUT, 6-32 KEP	2
22	200301012	WASHER, M3 FLAT	1
23	579211	NUT, HEX M3 HEXLCK	2
24	600437	•SWITCH, SNAP ACTN 250VAC 16A	1

• RECOMMENDED STOCK ITEMS / ARTICULOS RECOMENDADOS PARA
MANTENER EN EXISTENCIA

REF	PART #	DESCRIPTION	QTY
25	601359	PLATE, SWITCH BACKING	1
26	578403000	SCREW, M3X.5X20 PAN PHL	2
27	603331	SPACER, CHARGER PLUG	1
28	140019	WASHER, LOCK EXT #6	2
29	605387	•CONNECTOR, RED 50A W/O CONTACTS	1
30	140829	SCREW, 6-32X1 PAN PHL	2
31	363503	SCREW, PAN M6X1.0X12	1
32	140000	WASHER, FLAT 1/4	1
33	601460	CLIP, DRAIN HOSE	1
34	613355	TANK, SOLUTION, GREEN	1
	610093	KIT, TANK, SOLUTION, GREEN (BEFORE SN 10072679)	1
35	630146	PLUG, 3/8" NPT NYLON	1
36	608361	DECAL, SPEED SCRUB 1701 PLUS	2
37	601425	KNOB, BALL	1
38	601426	LEVER, SQUEEGEE	1
39	601427	SLEEVE, 0.625D 0.320B 0.33L STL	1
40	601437	WASHER, .621 X 1.25 X .06 NY	2
41	601428	CABLE, SQUEEGEE	1
42	601476	NUT, 1/4-20 LOCK TWO WAY	1
43	140055	WASHER, .343 X 1.25 X 0.31	1
44	140015	WASHER, LOCK SPLIT 0.31	1
45	630425	SCREW, PAN M8X20MM PHL	1

PARTS LIST
LISTA DE PIEZAS

RECOVERY TANK GROUP
CONJUNTO DESPOSITO RECUPERAR



**PARTS LIST
LISTA DE PIEZAS**

**RECOVERY TANK GROUP
CONJUNTO DESPOSITO RECUPERAR**

REF	PART #	DESCRIPTION	QTY
▽ 1	613716	●ASM., LID & LABEL	1
▲ 2	613287	LABEL, WARNING SCRUB 6X2.25	1
▲ 3	630367	●GASKET, REC. TANK	1
4	630056	STRAP, TANK COVER	1
5	1009168	WASHER, FLAT 0.174X0.75X0.04	4
6	3701.6	SCREW, PAN #6X3/8 PHL SHTMTL	4
7	630255	GASKET, FLOAT MOUNT	1
8	630053	MOUNT, FLOAT CAGE	1
9	140000	WASHER, FLAT 1/4	2
10	140016	WASHER, LOCK 0.25	2
11	600385	SCREW, PAN M08X1.0X20 PHL	2
12	630052	●FLOAT, SHUT-OFF (2) BALL	1
13	140027	WASHER, FLAT 0.31	2
14	140015	WASHER, LOCK SPLIT 0.31	2
15	09010	SCREW, M08X1.25X25MM	2
16	603418	NUT, 5/8-11 HEX NYLON	1
17	605147	WASHER, RUBBER 1.50D	1
18	601437	WASHER, NYLON	1
19	609709	SCREW, 5/8-11X1" BTT SOCHD	1

▽ ASSEMBLY / CONJUNTO

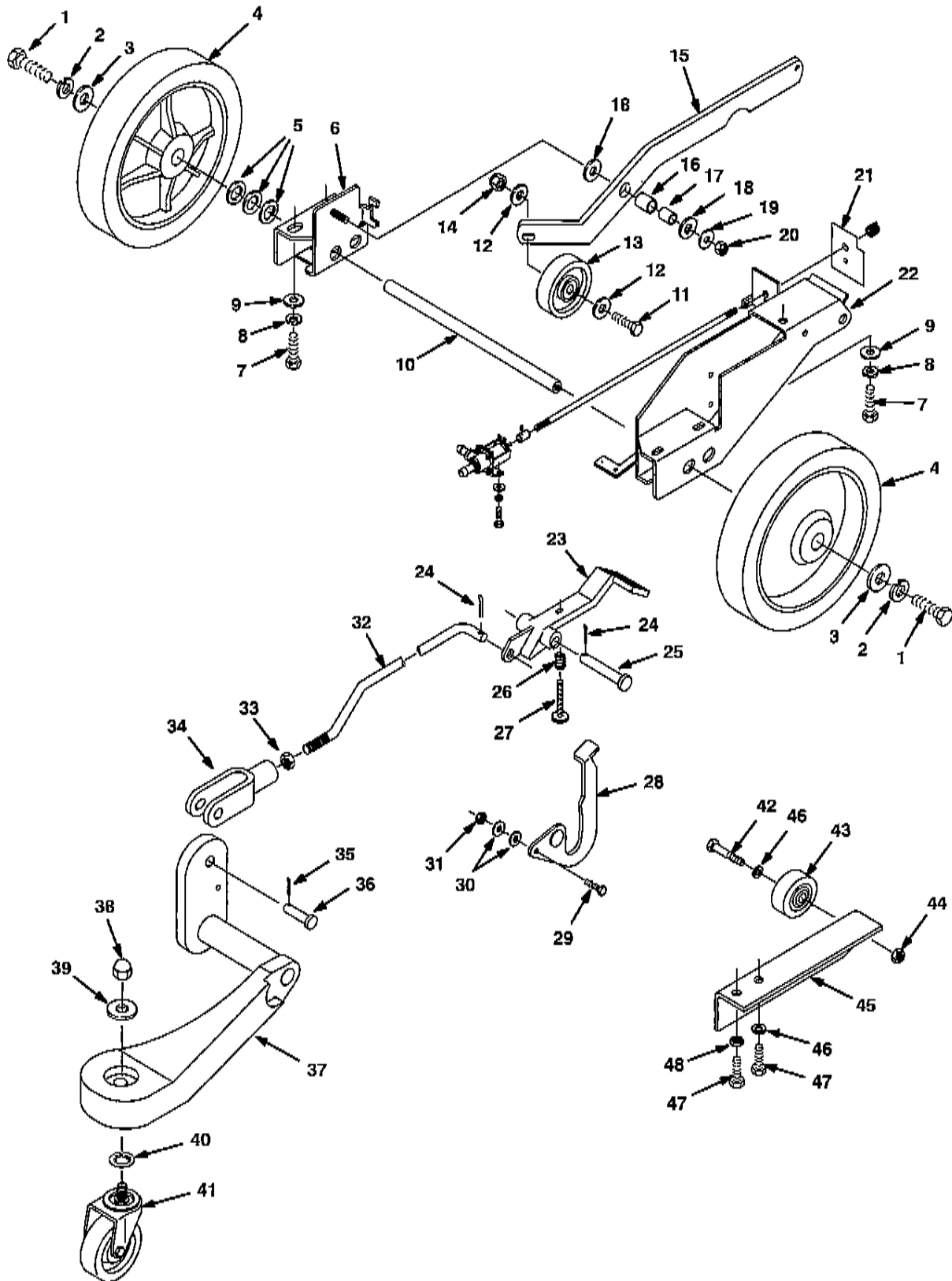
▲ INCLUDED IN ASSEMBLY / INCLUIDO EN EL CONJUNTO

● RECOMMENDED STOCK ITEMS / ARTICULOS RECOMENDADOS PARA
MANTENER EN EXISTENCIA

REF	PART #	DESCRIPTION	QTY
20	601462	CLAMP, 1-1/4 CONDUIT	1
21	140016	WASHER, LOCK 0.25	1
22	363503	SCREW, PAN M6X1.0X12	1
23	240177	TUBE, BASE INLET	1
24	614157	CLAMP, HOSE 27MM TO 51MM	3
▽ 25	1010481	●ASM., DRAIN HOSE	1
▲▽ 26	1008639	●ASM., CAP, DRAIN HOSE	1
▲ 27	1008637	●O-RING, 1.48"ID, 1.76"OD	1
▲ 28	1019568	●STRAP, DRAIN CAP	1
29	140027	WASHER, FLAT 0.31	2
30	601431	STRAP, BATTERY	1
31	630147	FITTING, PLSTC PM12 HEX	1
32	601430	TRAY, BATTERY	1
33	601438	SCREW, TRS .38-16X0.62 PHL	2
34	601439	SPACER, .39X.56X.16	2
35	160485	●ADAPTER, HOSE	1
36	200070382	SCREW, FIL M05X0.8X10 PHL	2
37	608356	TANK, RECOVERY, GREEN	1
38	15675	SCREW, HEX M08X1.25X16	2
39	140015	WASHER, LOCK SPLIT 0.31	2
40	N/A	HOSE/CAP ASSEMBLY, DRAIN - REPLACED BY ASSEM. ITEM #25	1

PARTS LIST
LISTA DE PIEZAS

WHEEL GROUP
CONJUNTO DE LA RUEDA



**PARTS LIST
LISTA DE PIEZAS**

**WHEEL GROUP
CONJUNTO DE LA RUEDA**

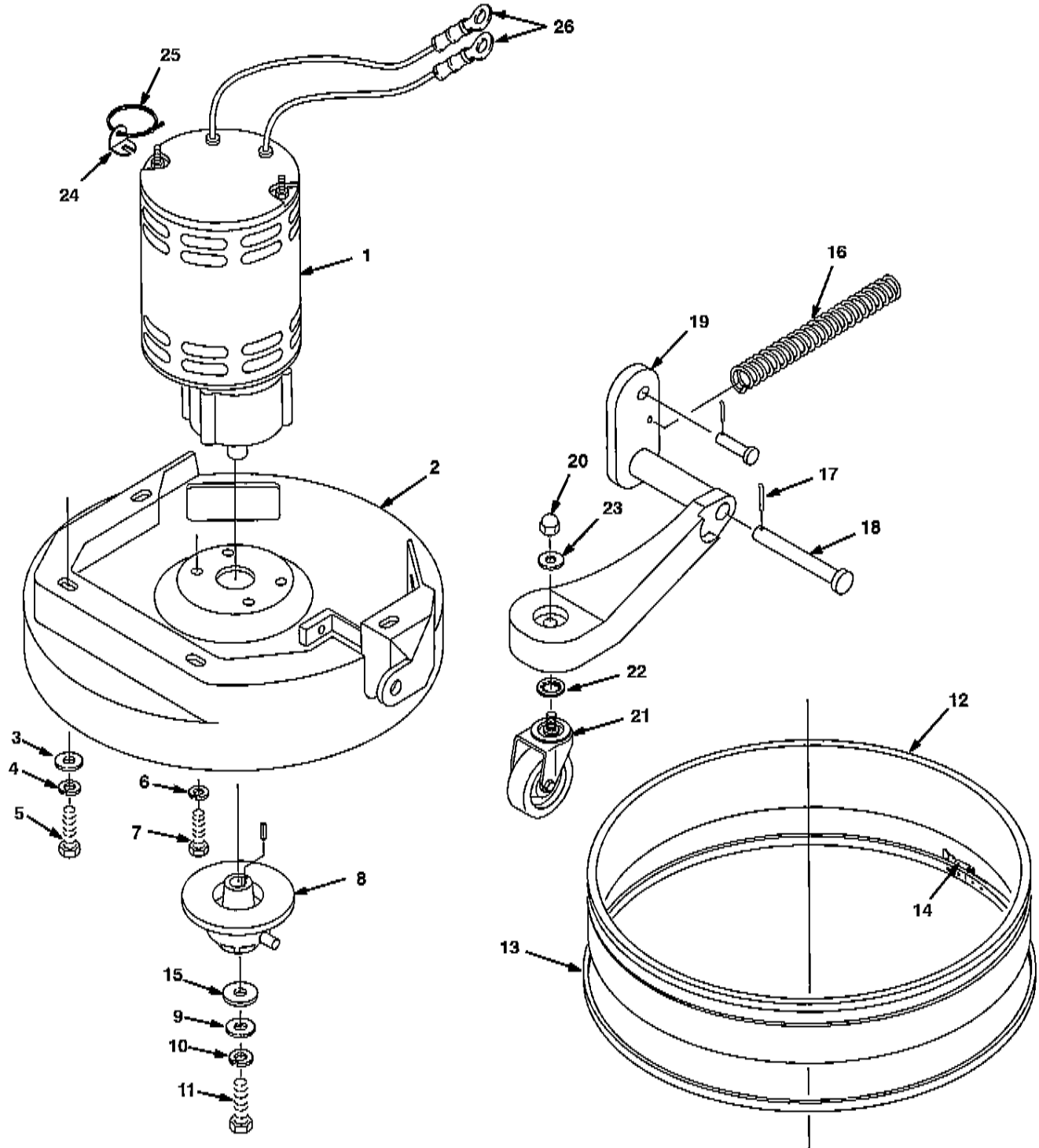
REF	PART#	DESCRIPTION	QTY
1	02994	SCREW, HEX .38-16X0.75	2
2	140017	WASHER, LOCK SPLIT 0.38	2
3	140028	WASHER, FLAT 0.42B 1.00D .05	2
4	1012021	•WHEEL, 8.0D 1.50W POLY	2
5	140047	WASHER, 1.246X.754X.062	3
6	1011518	MOUNT, WELDMENT AXLE	1
7	12333	SCREW, HEX, M6X1.25X25, SS, NL	5
8	140015	WASHER, LOCK SPLIT 0.31	5
9	140028	WASHER, FLAT 0.42B 1.00D .05	5
10	601448	AXLE, .75D X 15.20	1
11	140256	SCREW, .38-16X2.50	1
12	140028	WASHER, FLAT 0.42B 1.00D .05	2
13	613974	•KIT, 4" WHEEL AND BUSHING	1
14	59156	NUT, HEX LOCK .38-16 NL	1
15	601458	MOUNT, WHEEL BRUSH	1
16	630188	BEARING, .50"IDX.25LG JOURNAL	1
17	630189	SLEEVE, 0.496D 0.318B 0.21L STL	1
18	20536-2	WASHER, FLAT, 0.47B 1.19D .03 NL	2
19	140055	WASHER, FLAT	1
20	200160017	NUT, HEX LOCK M8 X 1.25 NL	1
21	601491	DECAL, SOLUTION CONTROL	1
22	1011934	MOUNT, AXLE PEDAL	1
23	601444	PEDAL, HEAD LIFT	1
24	140630	PIN, COTTER .094 X 0.75	2

• RECOMMENDED STOCK ITEMS / ARTICULOS RECOMENDADOS PARA
MANTENER EN EXISTENCIA

REF	PART#	DESCRIPTION	QTY
25	601471	PIN, CLEVIS 0.50D X 2.50L	1
26	578140000	SPRING, COMPR 16.8D 1.2W 25.4L	1
27	603145	KNOB, 5/16-18F 1"DIA	1
28	601445	PEDAL, LATCH RELEASE	1
29	16931	SCREW, M8X1.25X20MM	1
30	32491	WASHER, FLAT 0.31	2
31	08709	NUT, HEX LOCK M8 X 1.25NL	1
32	601442	ROD, CASTER MOUNT	1
33	20171	NUT, HEX JAM .38-24	1
34	578085000	YOKE, ADJUSTMENT	1
35	612254000	PIN, HAIRPIN .38" DIA SHAFT	1
36	140608	PIN, CLEVIS 9/8 DIA X 1-1/4	1
37	606537	MOUNT, CASTER	1
38	614313	NUT, 1/2-13 CPACRN BRS	1
39	3148.816	WASHER, 0.52B 0.88D .06 STL	1
40	140029	WASHER, 9/16 INT. TOOTH	1
41	601443	•CASTER, SWIVEL	1
42	630478	SCREW, SHLD .38D X 1.00 .31-18	2
43	630477	•WHEEL, 2.0D 0.38W POLY GRAY	2
44	601108000	NUT, 5/16-18 HXLCK THIN NY	2
45	604323	BRACKET, STOP	2
46	140015	WASHER, LOCK SPLIT 0.31	4
47	09010	SCREW, HEX, M8X1.25X25	4
48	200101017	NUT, HEX M8X1.25 HXJM	2

PARTS LIST
LISTA DE PIEZAS

SCRUB HEAD GROUP
GRUPO DEL CABEZAL DE FREGADO DE DISCO



PARTS LIST
LISTA DE PIEZAS

SCRUB HEAD GROUP
GRUPO DEL CABEZAL DE FREGADO DE DISCO

REF	PART #	DESCRIPTION	QTY
▽ 1	601499	●MOTOR, ELE .75HP 165RPM 24V	1
▲	603638	●BRUSH, CARBON 1PC	4
▲	630609	GEARBOX ASSY	1
▲	140832	KEY, .25 X .25 X 1.00L	1
2	601440	HEAD CASTING	1
3	140028	WASHER, FLAT 0.42B 1.00D .05	4
4	140015	WASHER, LOCK SPLIT 0.31	4
5	12333	SCREW, HEX, M6X1.25X25, SS, NL	4
6	140017	WASHER, LOCK SPLIT 0.38	4
7	69225	SCREW, HEX .38-16 X 1.00, SS	4
8	611846	HUB, BRUSH DRIVE	1
9	069764631	WASHER, FLAT M8.4 X 25.4 X 4.8	1
10	140015	WASHER, LOCK SPLIT 0.31	1
11	140219	SCREW, HEX .31-18 X 1.00	1
12	601493	●SKIRT, SPLASH GUARD	1

REF	PART #	DESCRIPTION	QTY
▽ 13	614113	KIT, REPLACEMENT BAND 56"	1
▲ 14	602044000AM	FASTENER, ADJUSTING, SKIRT	1
15	140047	WASHER, 1.246 X .754 X .062	1
16	603148	SPRING, EXT .75 X 4.00 X .065WD	1
17	612254000	PIN, HAIRPIN .38" DIA SHAFT	1
18	089764083	PIN, CLEVIS 1/2 DIA X 5-1/4	1
19	606537	MOUNT, CASTER	1
20	614313	NUT, 1/2-13 CPACRN BRS	1
21	601443	CASTER, SWIVEL	1
22	140029	WASHER, 9/16 INT	1
23	3148.816	WASHER, FLAT 0.52B 0.68D .06	1
24	608943	BRACKET, WIRE TIE	1
25	130041	WIRE TIE	1
26	130111	TERMINAL, RING 5/16 12-10 VI YL	2

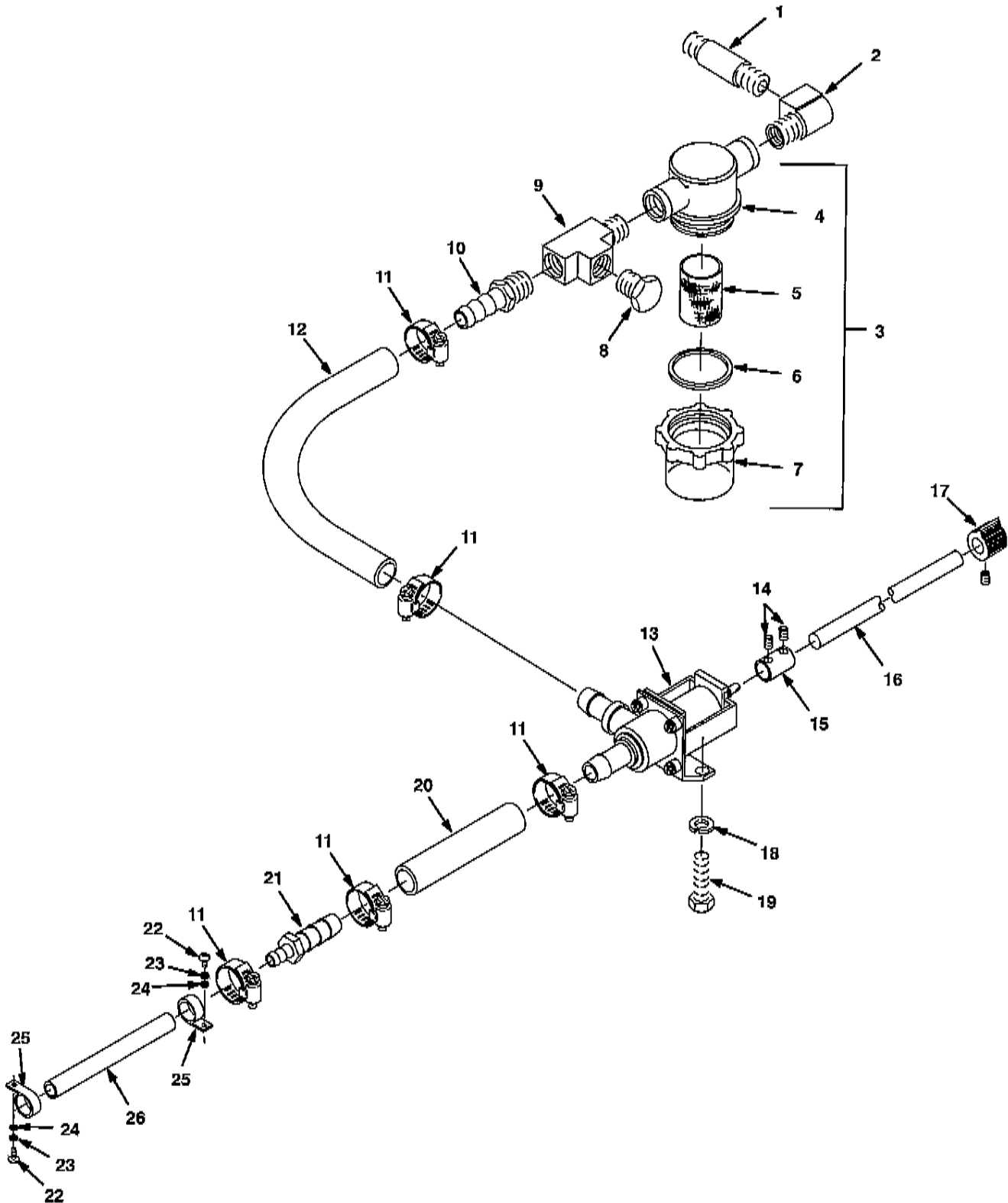
▽ ASSEMBLY / CONJUNTO

▲ INCLUDED IN ASSEMBLY / INCLUIDO EN EL CONJUNTO

● RECOMMENDED STOCK ITEMS / ARTICULOS RECOMENDADOS PARA
MANTENER EN EXISTENCIA

PARTS LIST
LISTA DE PIEZAS

PLUMBING GROUP
GRUPO DE TUBERÍAS



**PARTS LIST
LISTA DE PIEZAS**

**PLUMBING GROUP
GRUPO DE TUBERÍAS**

REF.	PART #	DESCRIPTION	QTY.
1	601489	FITTING, BRS STR PM06X2.0 NIP	1
2	150420	FITTING, 3/8M X 3/8F ELB 90°	1
▽ 3	1005302	●FILTER, INLINE 80 MESH	1
▲ 4	613993	BODY, TOP FILTER	1
▲ 5	1005304	SCREEN, FILTER 80 MESH	1
▲ 6	613992	GASKET, FILTER	1
▲ 7	613991	BOWL, CLEAR FILTER	1
8	630146	PLUG, 3/8 NPT NYLON	1
9	601483	FITTING, 3/8M X 3/8F TEE STR	1
10	14884	FITTING, BRS STR BM08/PM06	1
11	54333	CLAMP, HOSE WORM 0.31-0.88D	5
12	613518	TUBING, 1/2IDX3/4OD VNYL (611259)	0.670 FT.
13	630022	●VALVE, SOLENOID 24VDC	1
	614265	●KIT, WATER, VALVE, REBUILD	1

REF.	PART #	DESCRIPTION	QTY.
14	069762095	SCREW, 10-24X1/4 SKSET	2
15	601472	COUPLING	1
16	601473	ROD, WATER VALVE	1
17	626121	KNOB, WATER VALVE	1
18	140016	WASHER, LOCK 0.25	2
19	15676	SCREW, HEX M6X1.0X16	2
20	069760725	HOSE, SOL 1/2IDX3.25" (611259)	0.250 FT.
21	630164	FITTING, PLSTC STR BM08/BM04	1
22	579259	SCREW, PAN M04X0.7X12	2
23	140023	WASHER, LOCK INT #8	2
24	200301014	WASHER, M4.3X10.1X1 FLT	2
25	140326	CLAMP, CABLE 3/8ID BLACK NY	2
26	578569	HOSE, 1/4IDX4.5" (578095000)	4.000 IN.

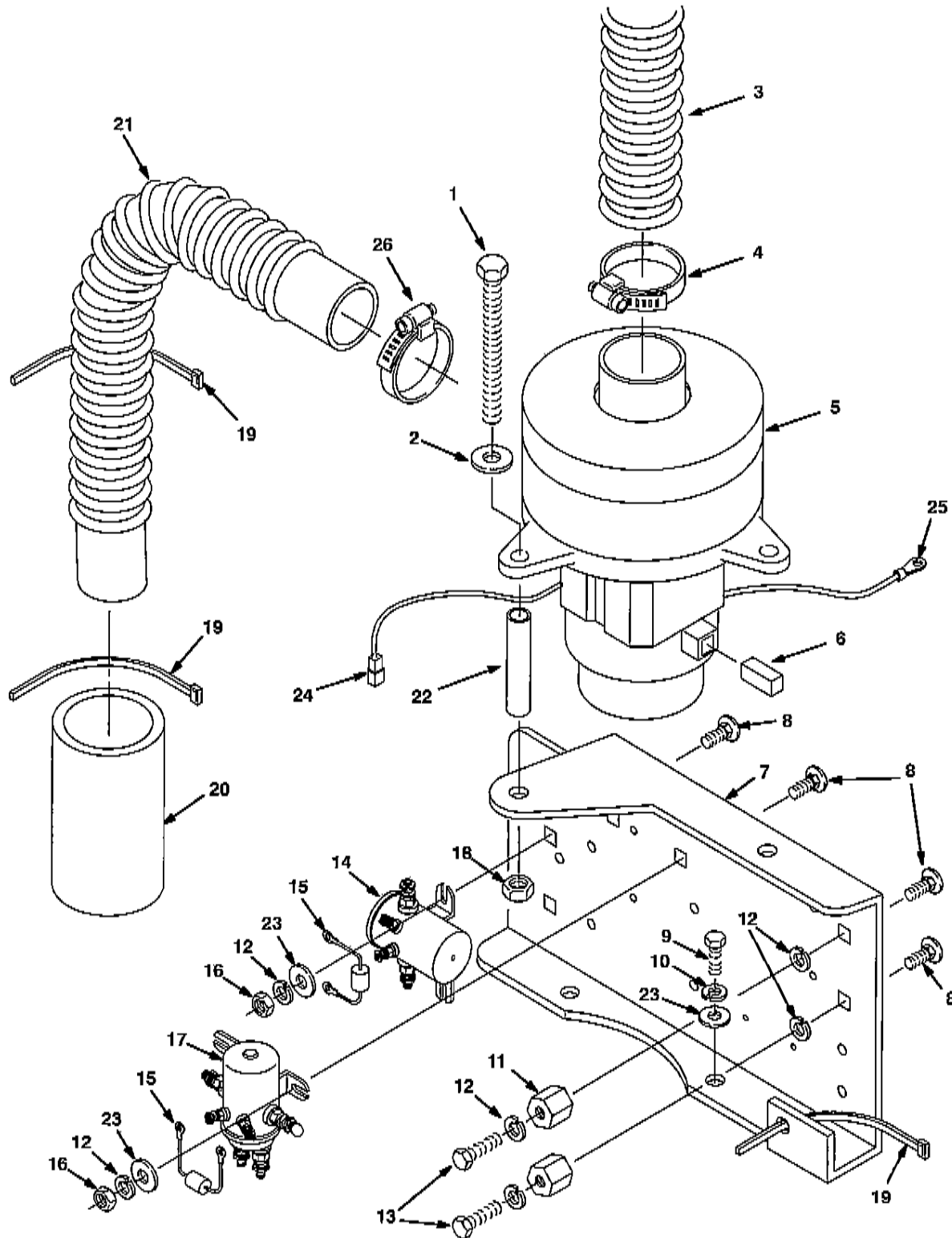
▽ ASSEMBLY / CONJUNTO

▲ INCLUDED IN ASSEMBLY / INCLUIDO EN EL CONJUNTO

● RECOMMENDED STOCK ITEMS / ARTICULOS RECOMENDADOS PARA
MANTENER EN EXISTENCIA

PARTS LIST
LISTA DE PIEZAS

VACUUM MOTOR GROUP
CONJUNTO DEL MOTOR DE ASPIRACIÓN



PARTS LIST
LISTA DE PIEZAS

VACUUM MOTOR GROUP
CONJUNTO DEL MOTOR DE ASPIRACIÓN

REF	PART #	DESCRIPTION	QTY
1	630432	SCREW, HEX M06 X 1.0 X 50	2
2	140000	WASHER, FLAT 1/4	2
3	160426	●HOSE, VAC 1-1/2X15" W/CUFF	1
4	614157	CLAMP, HOSE 27MM TO 51MM	1
▽ 5	601468	●MOTOR, VAC 24V 2-STG	1
▲ 6	190163	●CARBON BRUSH (2/PK)	1
7	601463	BRACKET, VAC MOTOR	1
8	069767164	BOLT, CARRIAGE .25-20X.50	6
9	15678	SCREW, HEX M6X1.0X16	2
10	140016	WASHER, LOCK 0.25	2
11	76062	STANDOFF, WIRE, M6, INSULATOR	2
12	140016	WASHER, LOCK 0.25	8
13	140259	SCREW, HEX 1/4-20X.62	2
14	605905AM	●SOLENOID, 24VDC 125A (MAIN)	1
15	606404	●DIODE, ASM W/RING TERMINALS	2
16	32520	NUT, HEX JAM .25-20	4

REF	PART #	DESCRIPTION	QTY
17	610742AM	●SOLENOID, 24VDC (BRUSH)	1
18	08712	NUT, HEX LOCK M6 X 1.0 NL	2
19	130041	TIE, WIRE 11-1/2 X .19 NY	3
20	600009	MUFFLER, VAC EXHAUST	1
21	160459	●HOSE, VAC 1-1/2X16" BLACK	1
22	019686096	SPACER, 6.4 X 12.7 X 28	2
23	140000	WASHER, FLAT 1/4	6
24	130096	TERMINAL, BLADE MAL .25	1
25	281001014	TERMINAL, RING 1/4 10-12	1
26	140308	CLAMP, HOSE 1-5/16 TO 2-1/4	1

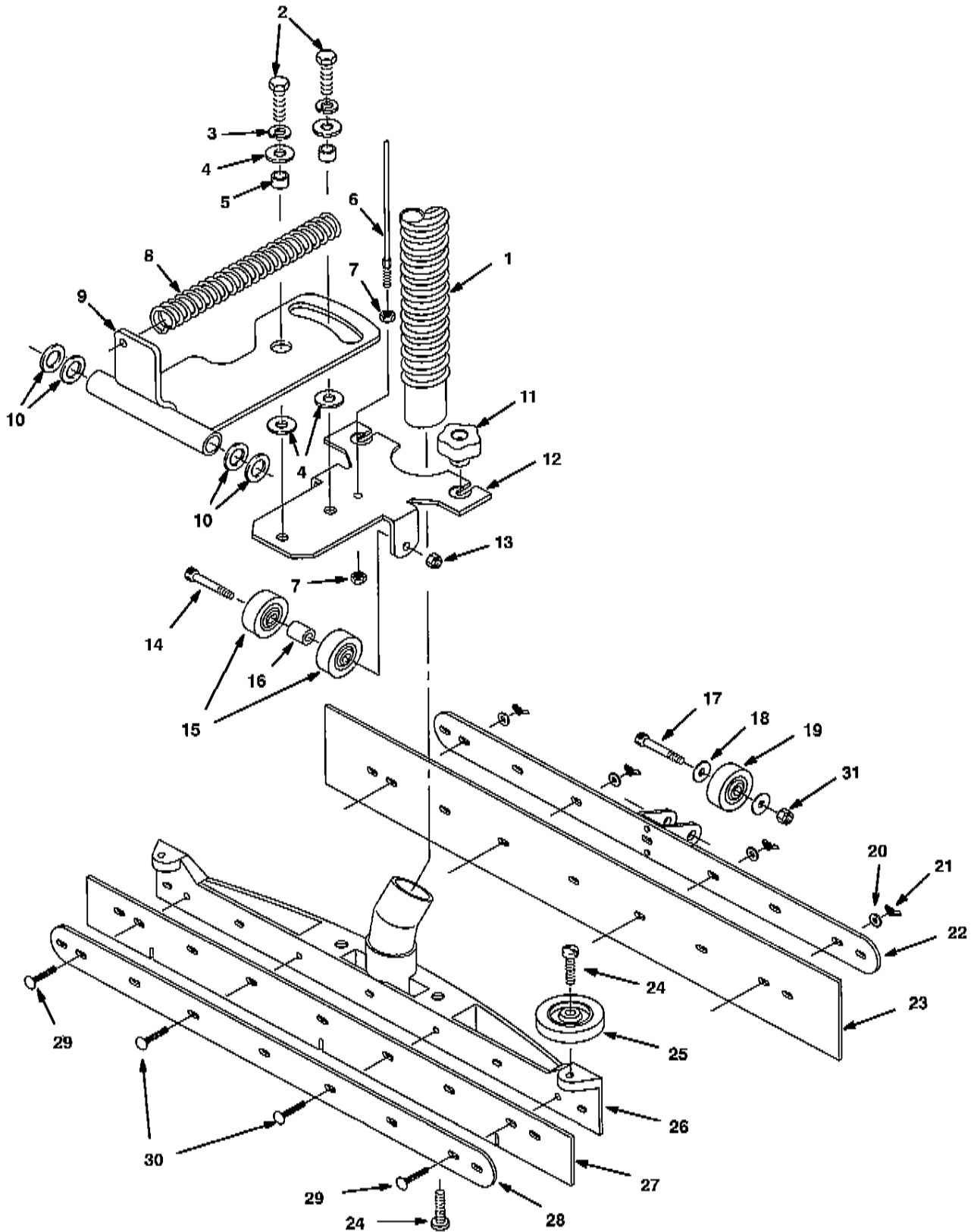
▽ ASSEMBLY / CONJUNTO

▲ INCLUDED IN ASSEMBLY / INCLUIDO EN EL CONJUNTO

● RECOMMENDED STOCK ITEMS / ARTICULOS RECOMENDADOS PARA
MANTENER EN EXISTENCIA

PARTS LIST
LISTA DE PIEZAS

SQUEEGEE GROUP
CONJUNTO PALETA



PARTS LIST
LISTA DE PIEZAS

SQUEEGEE GROUP
CONJUNTO PALETA

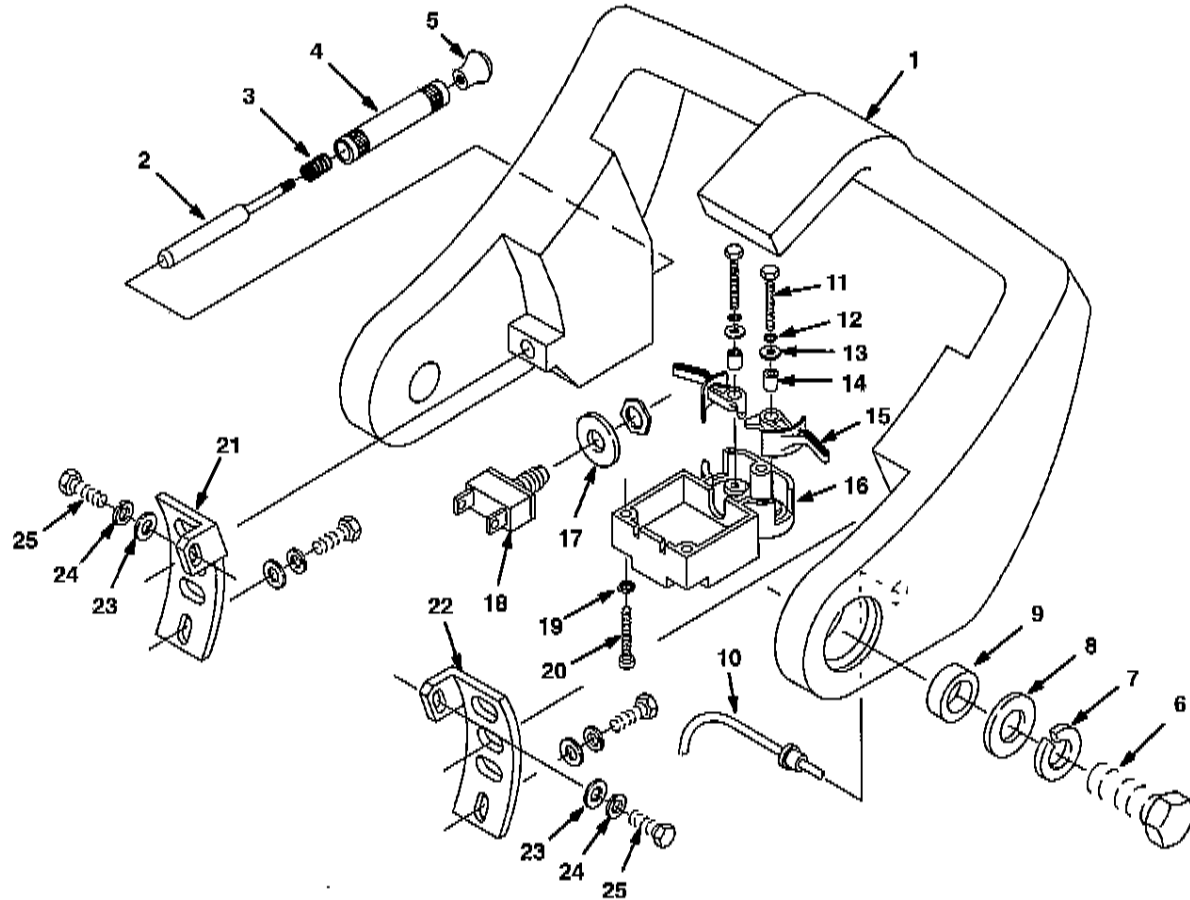
REF	PART#	DESCRIPTION	QTY
1	160617	●HOSE, VAC 1-1/2"X24" W/CUFFS	1
2	140297	SCREW, HEX .50-13X1.00	2
3	140024	WASHER, LOCK 0.50	2
4	140045	WASHER, 0.51B 1.25D .06 FLT	4
5	140139	SLEEVE, 0.625D 0.50B 0.25L	2
6	601428	CABLE, SQUEEGEE	1
7	601476	NUT, 1/4-20 LOCK TWO-WAY	2
8	603149	SPRING, EXT .65 X 5.00 X .069	1
9	601452	BRACKET, SQ. PIVOT	1
10	140047	WASHER, FLAT 1.246 X .754 X .062	4
11	1011094	●KNOB, RND 1.50IN DIA 5 EAR	2
12	601451	BRACKET, SQUEEGEE MOUNT	1
13	601108000	NUT, 5/16-18 HXLCK THIN NY	1
14	603144	BOLT, SHLD .38D X 3.00	1
15	630477	●WHEEL, 2.0D 0.38W POLY GRAY	2
16	603368	SPACER, .39 X .75 X .75 NY	1
▽	605856	ASM., SQUEEGEE GUM RUBBER	1
▲ 17	600187	BOLT, SHLD .38D X 1.25, .31-18	1
▲ 18	140028	WASHER, FLAT .38	2
▲ 19	630477	●WHEEL, 2.0D 0.38W POLY GRAY	1

REF	PART#	DESCRIPTION	QTY
▲ 20	140000	WASHER, FLAT 1/4	4
▲ 21	140536	NUT, WING .25-20	4
▲ 22	601457	STRIP, REAR RETAINER	1
▲ 23	601455	●BLADE, SQ. REAR GUM	1
	601486	●BLADE, SQ. REAR LINATEX (OPTION)	1
	601488	●BLADE, SQ. REAR URETHANE (OPTION)	1
▲ 24	140799	SCREW, TRS 5/16-18X1.50 PHL	4
▲ 25	1014918	●WHEEL, RBR 3"X.88" W/BUSHING	2
▲ 26	601450	CASTING, SQUEEGEE	1
▲ 27	601454	●BLADE, SQ. FRONT GUM	1
	601485	●BLADE, SQ. FRONT LINATEX (OPTION)	1
	601487	●BLADE, SQ. FRONT URETHANE (OPTION)	1
▲ 28	601456	STRIP, FRONT RETAINER	1
▲ 29	612184000	BOLT, CARRIAGE .25-20X1.5	2
▲ 30	612186000	BOLT, CARRIAGE .25-20X2.5	2
▲ 31	601108000	NUT, 5/16-18 HXLCK THIN NY	1

▽ ASSEMBLY / CONJUNTO

▲ INCLUDED IN ASSEMBLY / INCLUIDO EN EL CONJUNTO

● RECOMMENDED STOCK ITEMS / ARTICULOS RECOMENDADOS PARA MANTENER EN EXISTENCIA

PARTS LIST
LISTA DE PIEZAS
CONTROL HANDLE GROUP
MANIJA GRUPO


REF.	PART #	DESCRIPTION	QTY.	
1	613358	HANDLE, GREEN	1	
2	601422	PIN, HANDLE LATCH	2	
3	601470	SPRING, CMPR 12.2D 1.0W 25.4L	2	
4	601421	TUBE, HANDLE LATCH	2	
5	601424	KNOB, LATCH	2	
6	601435	SCREW, HXHD M12X30MM	2	
7	140024	WASHER, LOCK	2	
8	140045	WASHER, FLAT	2	
9	1002725	SPACER, 0.875OD 6.504ID 0.62L	2	
10	607109	CORD, 18/2 SVTX27 3/8 SJT	1	
▽	611469	ASM., TRIGGER CONTROL BOX	1	
▲	11	069764190	SCREW, HEX M03X0.5X16	2
▲	12	200662012	WASHER, LOCK	2

REF.	PART #	DESCRIPTION	QTY.	
▲	13	578186000	WASHER, FLAT	2
▲	14	578082000	SPACER	2
▲	15	578002000	ARM, TRIGGER	2
▲	16	601429	CONSOLE, TRIGGER	1
▲	17	578430	WASHER, FLAT	1
▲	18	130712	●SWITCH, PULSE	1
19	140061	WASHER, #8 EXT	3	
20	33931	SCREW, PAN M4X0.7X30 SS	3	
21	601423	BRACKET, LATCH RIGHT	1	
22	601465	BRACKET, LATCH LEFT	1	
23	140027	WASHER, FLAT	4	
24	140015	WASHER, LOCK	4	
25	630425	SCREW, M8X20MM	4	

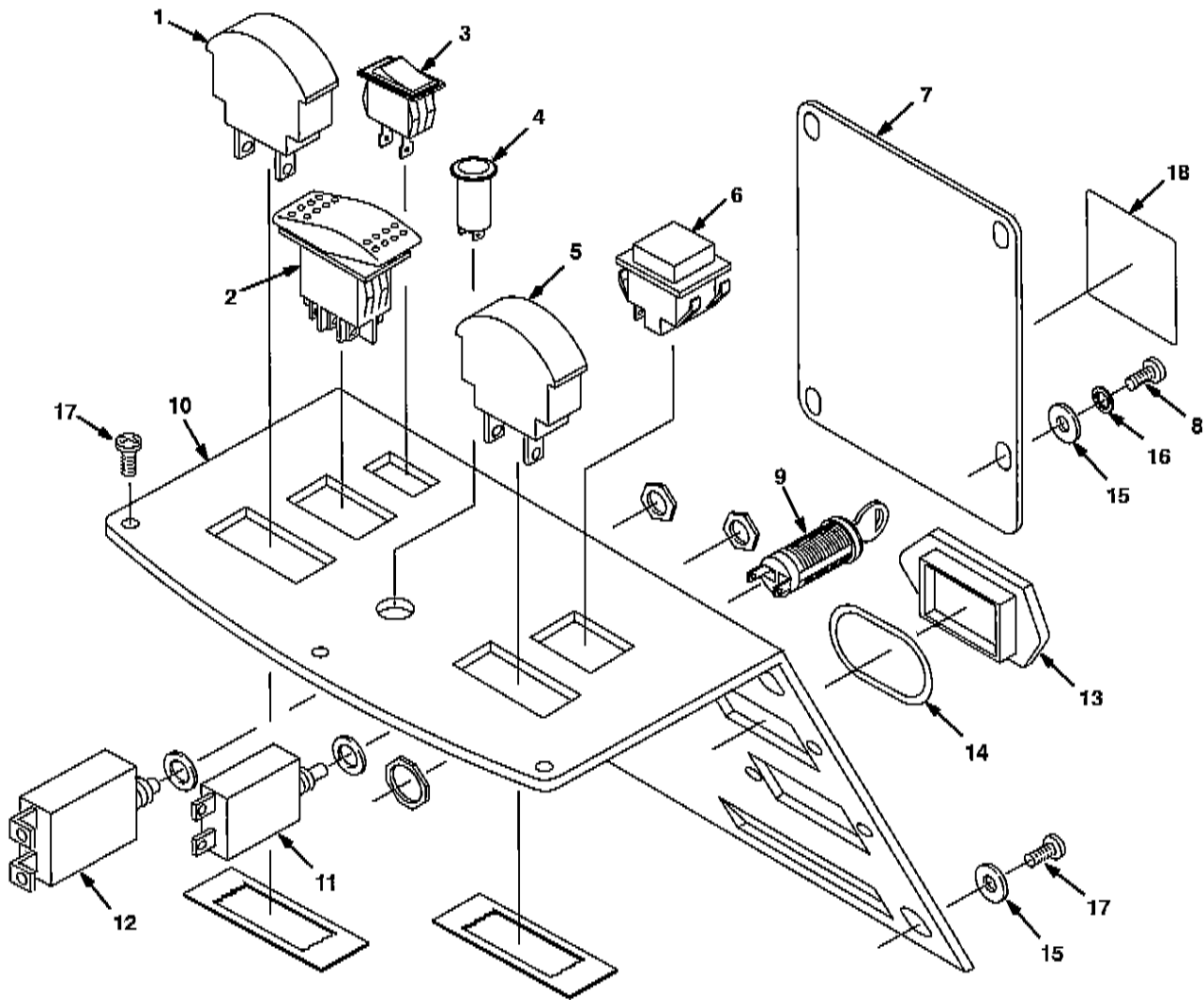
▽ ASSEMBLY / CONJUNTO

▲ INCLUDED IN ASSEMBLY / INCLUIDO EN EL CONJUNTO

● RECOMMENDED STOCK ITEMS / ARTICULOS RECOMENDADOS PARA
MANTENER EN EXISTENCIA

**PARTS LIST
LISTA DE PIEZAS**

**CONTROL CONSOLE GROUP
CONJUNTO CONSOLA DE CONTROLES**



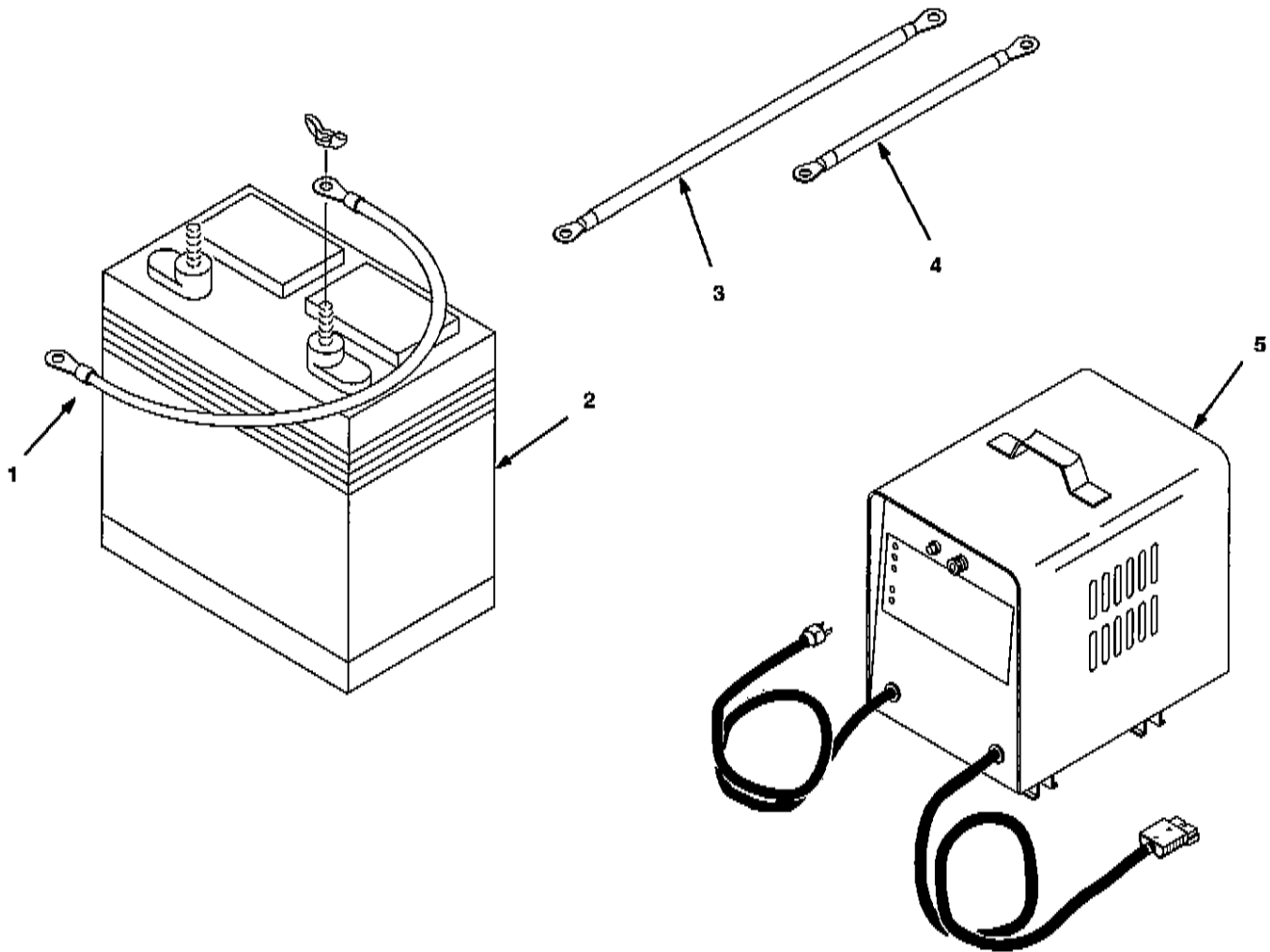
REF	PART #	DESCRIPTION	QTY
1	130015AM	●METER, BATTERY VOLTAGE	1
2	608605	●SWITCH, ROCKER 250VAC 10A	1
3	630419	●SWITCH, ROCKER 28VDC SPST	1
4	130738	●LIGHT, INDICATOR GREEN VDC	1
5	603212AM	●GAUGE, BRUSH PRESSURE	1
6	130441AM	●SWITCH, PUSH MOMENTARY	1
7	601415	PANEL, COVER	1
8	578141000	SCREW, PAN M5X0.8X10 PHL	2
9	607475	●SWITCH, KEYLOCK 12AMP	1
	607821	●KEY, REPLACEMENT STEEL	1

REF	PART #	DESCRIPTION	QTY
10	610723	PANEL, CONSOLE BLACK	1
11	130752AM	●BREAKER, CIRCUIT 20AMP	1
12	602951AM	●BREAKER, CIRCUIT 35AMP	1
13	609969	PLUG, HOUR METER	2
14	605823	O-RING, .926ID X .996	2
15	140011	WASHER, FLAT 0.18	6
16	07514	WASHER, LOCK INT #10, SS	2
17	1009324	SCREW, PAN PHL 10X1/2 BLK	7
18	606105	LABEL, HAZARD DO NOT SPRAY	1
N/S	608942	HARNES, WIRE MAIN	1

● RECOMMENDED STOCK ITEMS / ARTICULOS RECOMENDADOS PARA MANTENER EN EXISTENCIA

PARTS LIST
LISTA DE PIEZAS

BATTERY AND CHARGER GROUP
CONJUNTO DE BATERÍA Y CARGADOR



**PARTS LIST
LISTA DE PIEZAS****BATTERY AND CHARGER GROUP
CONJUNTO DE BATERÍA Y CARGADOR**

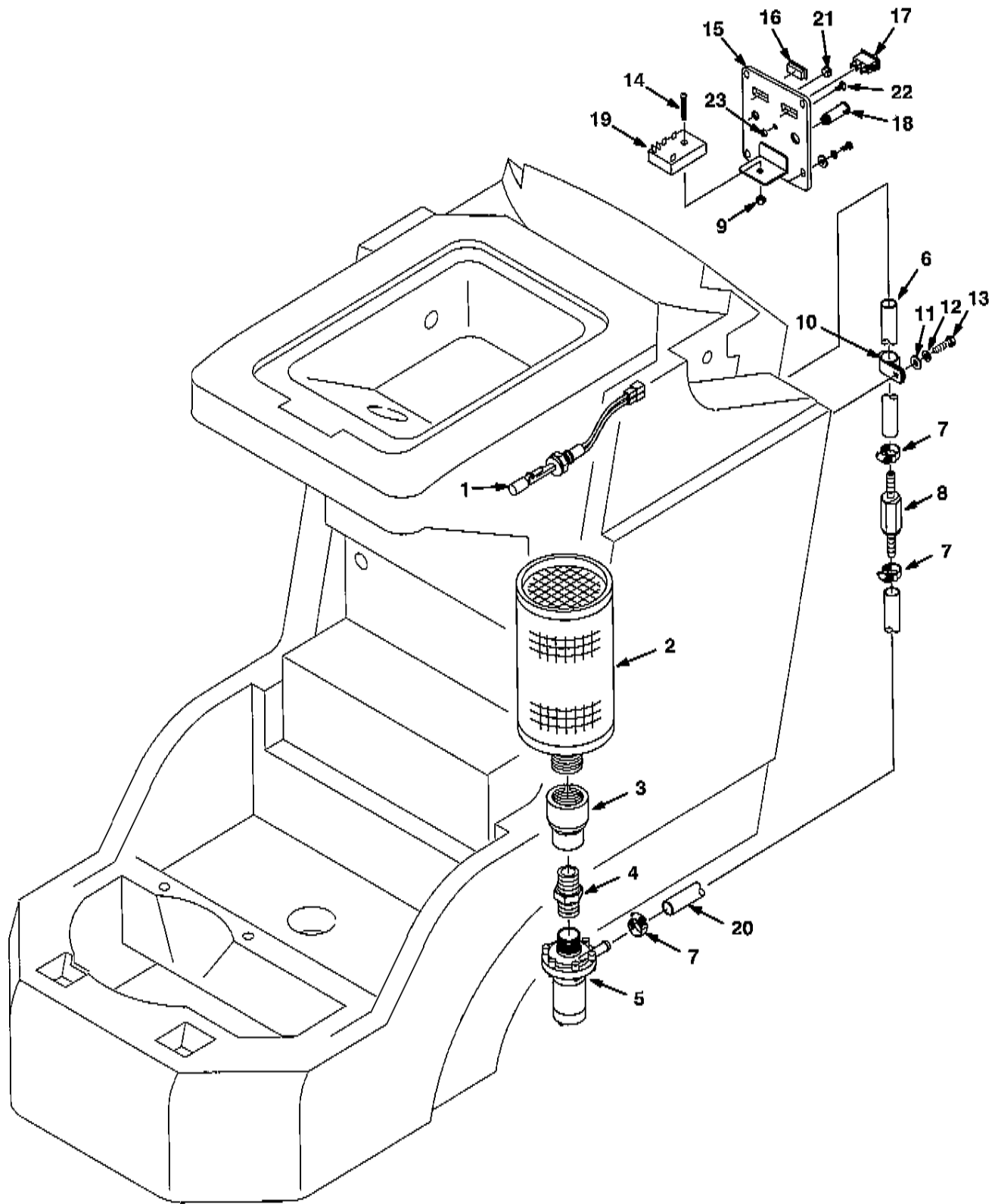
REF	PART #	DESCRIPTION	QTY
1	602871	●CABLE, BATTERY 6 BLK X 24"	1
2	130869	BATTERY, 12VDC 130AH (WET)	2
	600594	BATTERY, 12VDC 130AH (DAMP)	2

REF	PART #	DESCRIPTION	QTY
3	603208	●WIRE ASM., #6 X 24" BLK	1
4	603207	●WIRE ASM., #6 X 12" RED	1
5	603553	CHARGER, BATTERY 24V 15AMP	1

● RECOMMENDED STOCK ITEMS / ARTICULOS RECOMENDADOS PARA
MANTENER EN EXISTENCIA

**OPTIONS
OPCIONES**

**ES (EXTENDED SCRUB) KIT
CONJUNTO DEL SISTEMA ES**



**OPTIONS
OPCIONES**
**ES (EXTENDED SCRUB) KIT
CONJUNTO DEL SISTEMA ES**

REF	PART #	DESCRIPTION	QTY
	603171	●KIT, ES & WAND PUMP	1
▽	603172	●KIT, EXTENDED SCRUB (ES)	1
▲ 1	603166	●SENSOR, LIQUID LEVEL 28VDC	1
▲ 2	578445	●FILTER, SCREEN 100 MESH	1
▲ 3	601484	FITTING, 3/4FX1" F REDUCER PVC	1
▲ 4	630385	FITTING, PLSTC STR PM12/PM12	1
▲ 5	630136	●PUMP, SOL. 24VDC	1
▲ 6	606363	HOSE, 3/8IDX5/8ODX13" (376720)	1.083 FT.
▲ 7	54333	CLAMP, HOSE WORM 0.33-0.88D	3
▲ 8	210044	●VALVE, CHECK	1
▲ 9	09739	NUT, HEX LOCK M5X0.8 NL	1
▲ 10	140316	CLAMP, CABLE INSULATED 1/2ID	1
▲ 11	140000	WASHER, FLAT 0.25B	1

REF	PART #	DESCRIPTION	QTY
12	140016	WASHER, LOCK 0.25	1
13	608322	SCREW, TRS M6X1.0X16 PHL	1
▲ 14	578008000	SCREW, PAN M5X0.8X30 PHL	1
▲ 15	601416	PANEL, ACCESSORY ES/WAND	1
▲ 16	582150	BUTTON, PLUG ACCESSORY	1
▲ 17	630419	●SWITCH, ROCKER 28VDC SPST	1
▲ 18	130738	LIGHT, INDICATOR VDC GREEN	1
▲ 19	630145	●TIMER	1
▲ 20	606317	HOSE, 3/8IDX5/8ODX19.5" (376720)	1.625 FT.
▲ 21	130164	PLUG, DOME 3/8 HOLE BLACK	1
▲ 22	579259	SCREW, PAN M4X0.7X12 PHL	1
▲ 23	02850	NUT, HEX LOCK M4X0.7 NL	1

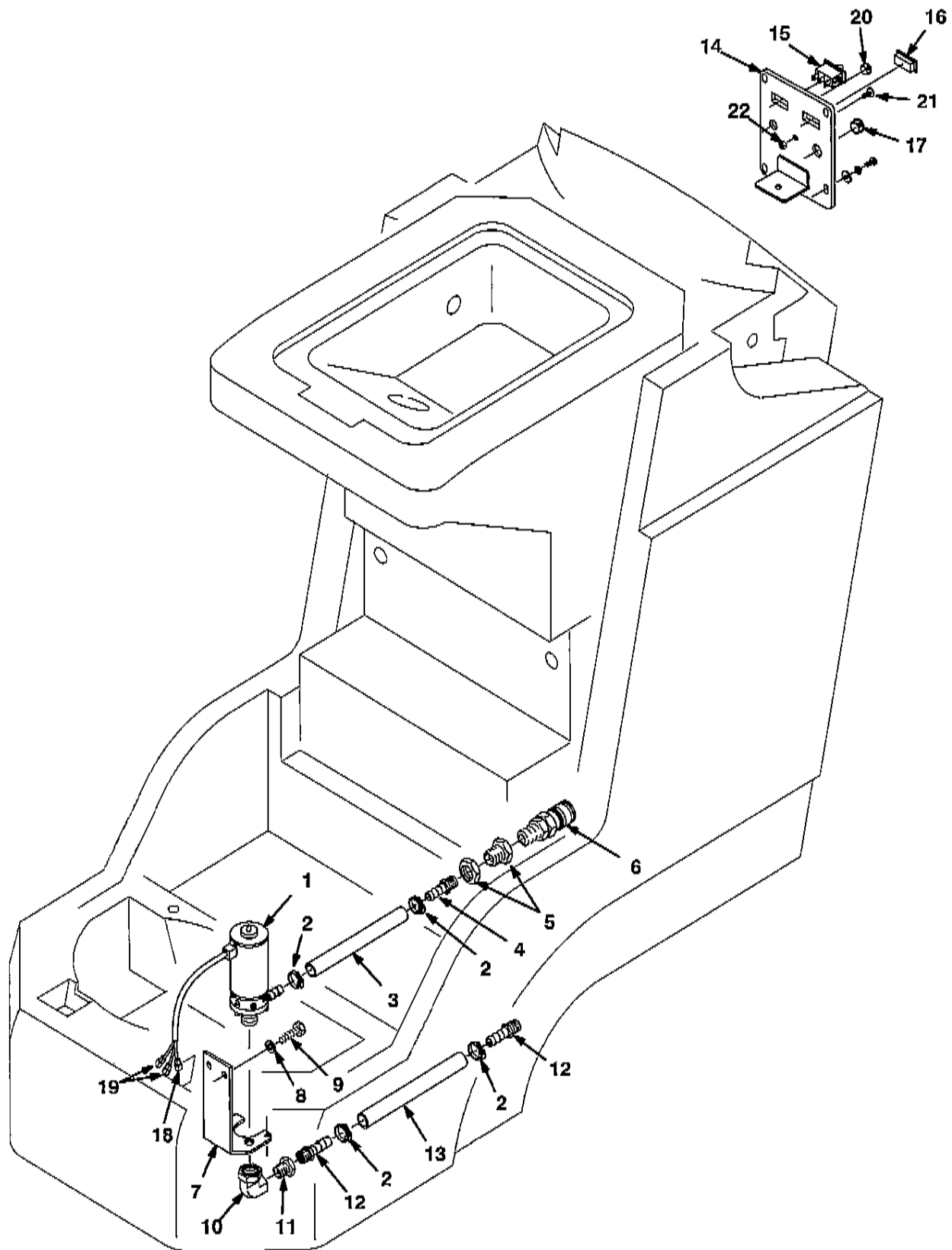
▽ ASSEMBLY / CONJUNTO

▲ INCLUDED IN ASSEMBLY / INCLUIDO EN EL CONJUNTO

● RECOMMENDED STOCK ITEMS / ARTICULOS RECOMENDADOS PARA
MANTENER EN EXISTENCIA

**OPTIONS
OPCIONES**

**WAND PUMP KIT
CONJUNTO DE LA BOMBA DEL TUBO**



**OPTIONS
OPCIONES**
**WAND PUMP KIT
CONJUNTO DE LA BOMBA DEL TUBO**

REF	PART #	DESCRIPTION	QTY
	603171	●KIT, ES & WAND PUMP	1
▽	603173	●KIT, WAND PUMP	1
▲ 1	630136	●PUMP, SOL 24VDC	1
▲ 2	54333	CLAMP, HOSE WORM 0.33-0.88D	4
▲ 3	575501000	HOSE, 3/8IDX5/8ODX8" (376720)	0.666 FT.
▲ 4	150516	FITTING, BRS STR 04PM/06BM	1
▲ 5	150300	FITTING, BRS STR PF04/PM04	1
▲ 6	608292	QUICK CONN., FML 3/8"X1/4"NPT	1
▲ 7	601479	BRACKET, WAND PUMP	1
▲ 8	140016	WASHER, LOCK	2
▲ 9	200031433	SCREW, HEX M6 X 1.0 X 12	2
▲ 10	630251	FITTING, PIPE E90 PF12/PF12	1

REF	PART #	DESCRIPTION	QTY
▲ 11	630252	FITTING, BRS PM12/PF06 BUSHING	1
▲ 12	150538	FITTING, PLSTC STR PM06/BM06	2
▲ 13	606325	HOSE, 3/8IDX5/8ODX24" (376720)	2.000 FT.
▲ 14	601416	PANEL, ACCESSORY ES/WAND	1
▲ 15	630419	●SWITCH, ROCKER 28VDC SPST	1
▲ 16	582150	BUTTON, PLUG, ASSY SWITCH	1
▲ 17	069764626	PLUG, HOLE	1
18	130125	RING, TERMINAL	1
19	130133	TERMINAL, MALE DISCONNECT	2
▲ 20	130164	PLUG, DOME 3/8" HOLE BLACK	1
▲ 21	579259	SCREW, PAN M04 X 0.7 X 12 PHL	1
▲ 22	02850	NUT, HEX LOCK M4 X 0.7 NL	1

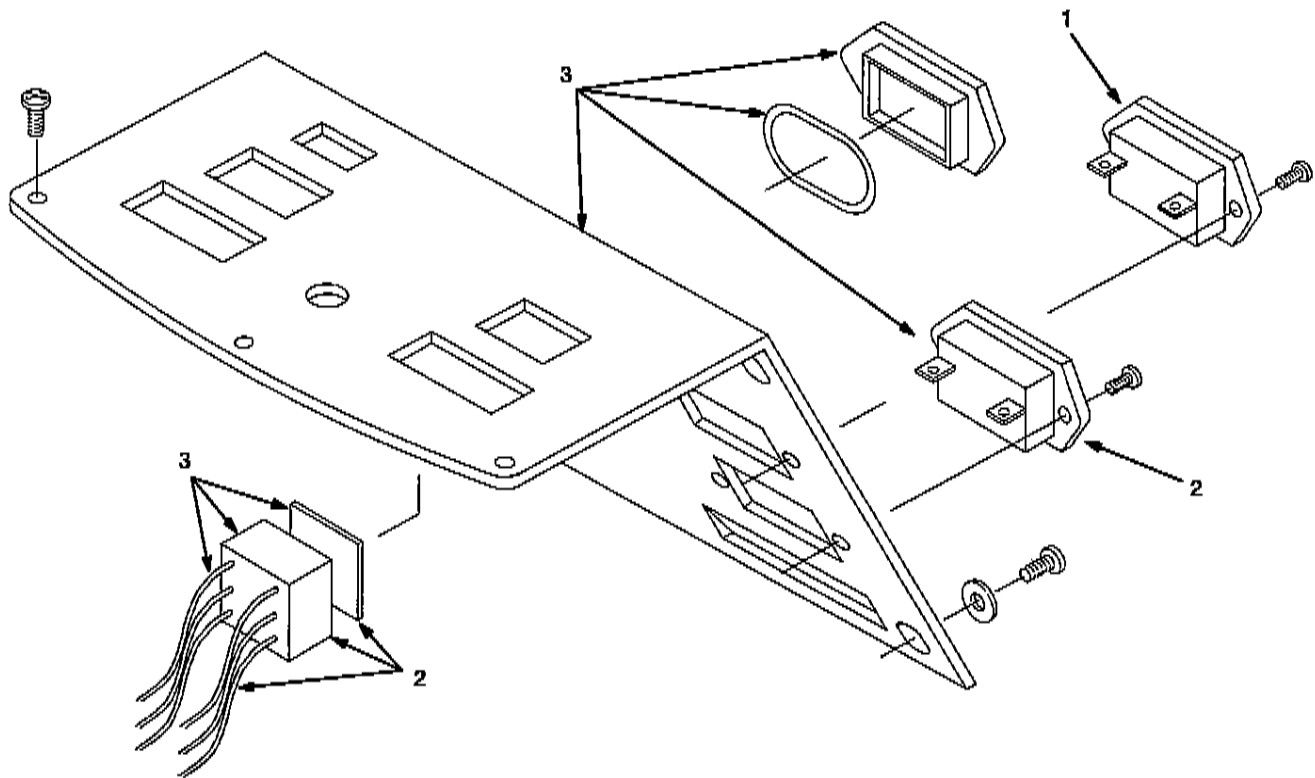
▽ ASSEMBLY / CONJUNTO

▲ INCLUDED IN ASSEMBLY / INCLUIDO EN EL CONJUNTO

● RECOMMENDED STOCK ITEMS / ARTICULOS RECOMENDADOS PARA
MANTENER EN EXISTENCIA

**OPTIONS
OPCIONES**

**HOUR METER AND LOW VOLTAGE INTERRUPTER KITS
CONTADOR DE HORAS Y CONJUNTO DEL INTERRUPTOR DE BAJO VOLTAJE**



REF.	PART #	DESCRIPTION	QTY
1	603174	●KIT, HOUR METER	1
▽ 2	610725	●KIT, LOW VOLTAGE INTERRUPTER	1
▲	603076	●GAUGE, BATTERY 24V	1
▲	603314	●ASM., RELAY 24V	1
▲	610848	ASM., WIRE #18 X 6"	1
▲	610849	ASM., WIRE #18 X 8.5"	1
▲	130040	WIRE TIE NYLON	1

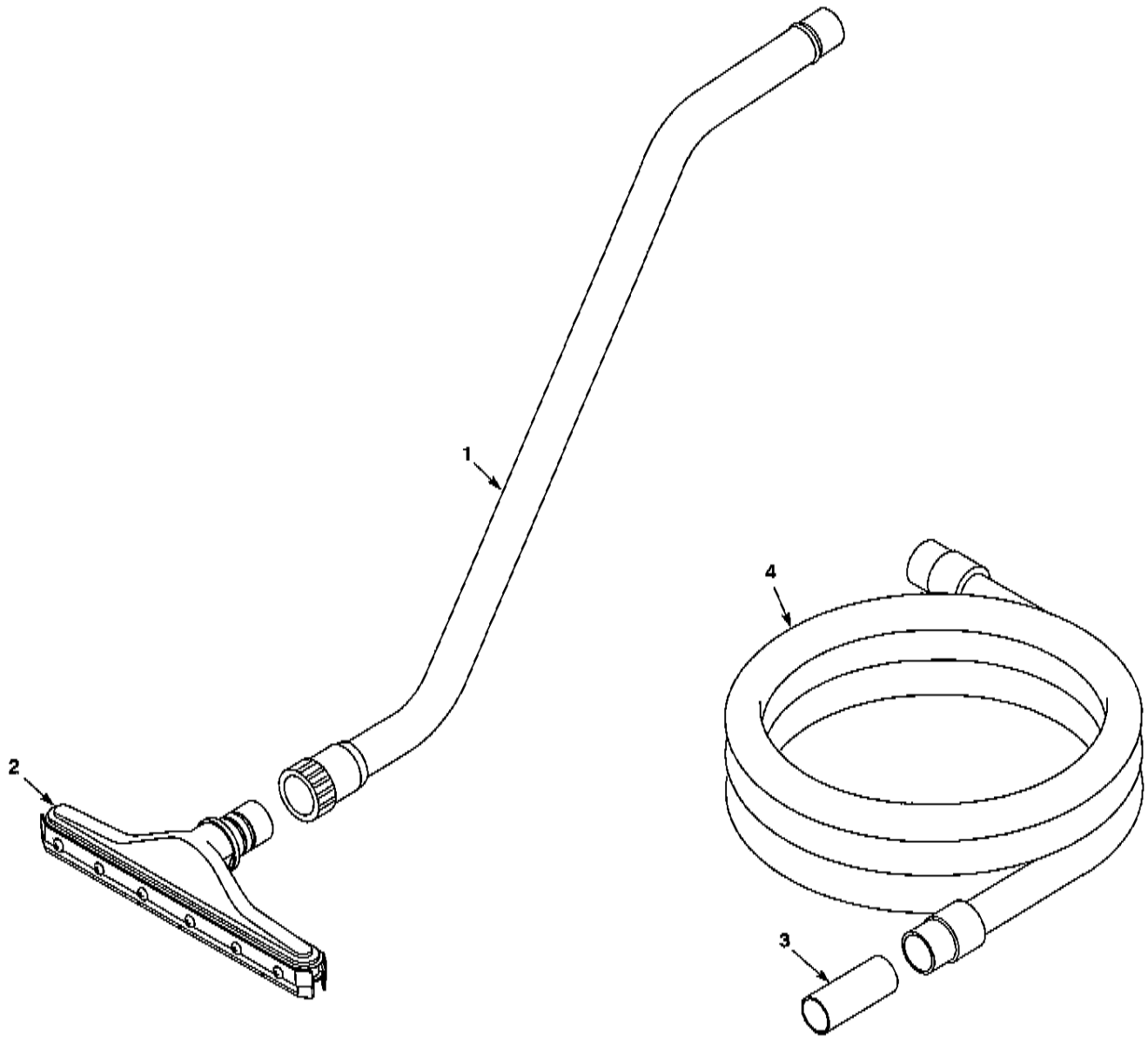
▽ ASSEMBLY / CONJUNTO

▲ INCLUDED IN ASSEMBLY / INCLUIDO EN EL CONJUNTO

● RECOMMENDED STOCK ITEMS / ARTICULOS RECOMENDADOS PARA MANTENER EN EXISTENCIA

REF.	PART #	DESCRIPTION	QTY
▽ 3	610724	●KIT, LOW VOLTAGE INTERRUPTER (FOR MACHINES MANUFACTURED BEFORE AUG. 2000)	1
▲	603076	●GAUGE, BATTERY 24V	1
▲	603314	●ASM., RELAY 24V	1
▲	610848	ASM., WIRE #18 X 6"	1
▲	610849	ASM., WIRE #18 X 8.5"	1
▲	130040	WIRE TIE NYLON	1
▲	609969	PLUG, HOUR METER	1
▲	605823	●O-RING	1
▲	610723	PANEL, CONSOLE BLACK	1

**WET PICK-UP TOOL KIT
KIT DE HERRAMIENTA MOJADO**



REF	PART #	DESCRIPTION	QTY
▽	190928	●KIT, WET PICK-UP TOOL	1
▲▽ 1	6108.1	●WAND, TWO BEND ALUMINUM	1
▲	605257	●RING, LOCK BRASS	1
▲	600828	●NUT, WAND COUPLING	1
▲▽ 2	13640	●TOOL, SQUEEGEE PUSH/PULL 14" (355MM)	1
▲	605137	●BLADES, REPLACEMENT (SET/4)	1

REF	PART #	DESCRIPTION	QTY
▲ 3	160451	●CONNECTOR, 1-1/2 VAC HOSE	1
▲ 4	160461	●HOSE, VAC 1-1/2X10' (3M)	1

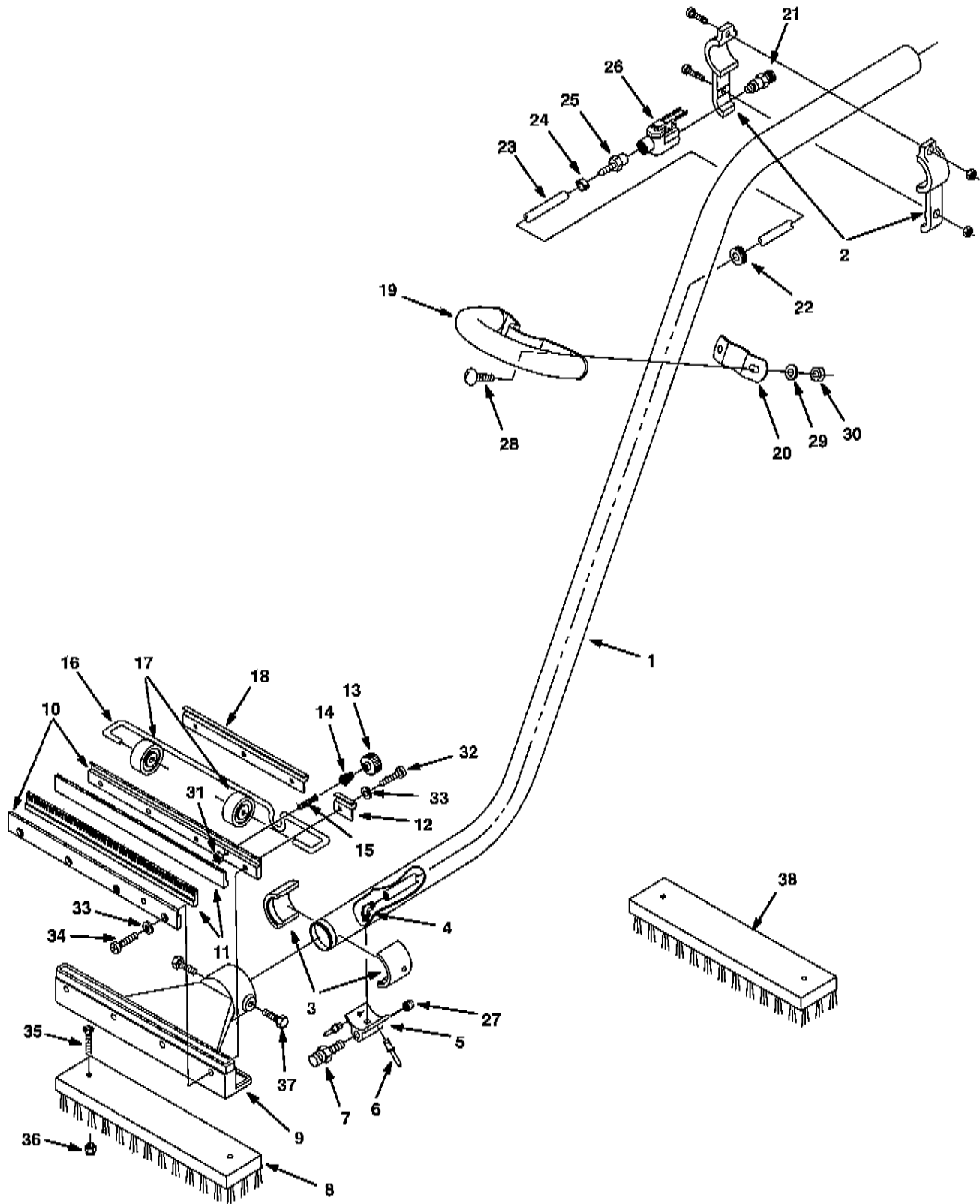
▽ ASSEMBLY / CONJUNTO

▲ INCLUDED IN ASSEMBLY / INCLUIDO EN EL CONJUNTO

● RECOMMENDED STOCK ITEMS / ARTICULOS RECOMENDADOS PARA
MANTENER EN EXISTENCIA

**OPTIONS
OPCIONES**

**DELUXE POWER WAND GROUP
GRUPO DEL TUBO ELÉCTRICO DELUXE**



**OPTIONS
OPCIONES**
**DELUXE POWER WAND GROUP
GRUPO DEL TUBO ELÉCTRICO DELUXE**

REF	PART #	DESCRIPTION	QTY
▽	578905000	●ASM., DELUXE POWER WAND	1
▲ 1	578060000	WAND, DOUBLE BEND	1
▲ 2	578077000	BRACKET, VALVE MOUNTING	1
▲ 3	578061000	ADAPTER, HEAD/WAND	2
▲ 4	578214000	FITTING, 1/8MX1/4H ELBOW 90 NY	1
▲ 5	579112	FITTING, SPRAY NOZZLE ADPTR	1
▲ 6	579198	RIVET, POP	2
▲ 7	578066000	●FITTING, TIP 75° 1/8K-JET BRS	1
▲ 8	578073000	●BRUSH, DECK, POLYPRO BLOCK 4 ROWS NTRL CRIMP POLYSTAR	1
▲ 9	578063000	HEAD, WAND	1
▲ 10	578078000	RETAINER, SQUEEGEE	2
▲ 11	578074000	●BLADE, SQUEEGEE	2
▲ 12	578124000	BRACKET, AXLE 1 HOLE	1
▲ 13	578439	NUT, M6X1.0 THUMB	1
▲ 14	613732	SPRING, CONICAL COMP 15MM	1
▲ 15	578143000	SCREW, SET M6X1.0X40 CUPPT	1
▲ 16	578126000	AXLE, WAND	1
▲ 17	578125000	●WHEEL, RUBBER 41.3D 19.1W	2
▲ 18	578123000	BRACKET, AXLE 3 HOLE	1
▲ 19	578155000	WELDMENT, HANDLE WAND	1

REF	PART #	DESCRIPTION	QTY
▲ 20	578154000	BRACKET, HANDLE	1
▲ 21	578091000	●FITTING, 1/4M QD CPLR PLUG BR	1
▲ 22	578164000	GROMMET, 0.38ID, 0.62GD, .06GW	1
▲ 23	578821000	●HOSE, SOLUTION 1/4"ID	1
▲ 24	578161000	CLAMP, HOSE 8-11MM EAR	1
▲ 25	578094000	FITTING, 1/4HX1/4NPT BARB	1
▲ 26	578064000	●VALVE, WATER CONTROL	1
▲ 27	150208	FITTING, 1/8M PLUG BRS SKHD	1
▲ 28	20399	BOLT, CARRIAGE .25-20 X 0.75	2
▲ 29	200304017	WASHER, FLAT M6.4 X 13 X 1.6	2
▲ 30	41169	NUT, HEX LOCK .25-20 NL	2
▲ 31	07785	NUT, HEX STD M6 X 1.0	1
▲ 32	578141000	SCREW, PAN M5 X 8.0 X 10 PHL	4
▲ 33	07514	WASHER, LOCK, INT, #10, SS	8
▲ 34	578144000	SCREW, PAN M5 X 8.0 X 16 PHL	4
▲ 35	578566	SCREW, 4 X 30 FLTPHL	2
▲ 36	33932	NUT, HEX, LOCK, M4 X 0.7 NL, SS	2
▲ 37	140885	SCREW, TRS .25-20 X 0.50 PHL	2
38	65582	●BRUSH, SCRUB ABRASIVE NTRL NYLON 80GRIT (OPTIONAL)	1

▽ ASSEMBLY / CONJUNTO

▲ INCLUDED IN ASSEMBLY / INCLUIDO EN EL CONJUNTO

● RECOMMENDED STOCK ITEMS / ARTICULOS RECOMENDADOS PARA
MANTENER EN EXISTENCIA

POWER WAND GROUP
GRUPO DEL TUBO ELÉCTRICO

REF	PART #	DESCRIPTION	QTY
▽	579908	●WAND ASM., POWER	1
▲ 1	578091000	●FITTING, BRS, QDC, PM04 PLUG	1
▲ 2	578160000	CLAMP, HOSE, 11-13MM EAR	4
▲ 3	613536	●HOSE, 1/4ID X .400M	1
▲ 4	579107	●VALVE, WATER FLOW CNTRL	1
▲ 5	150525	FITTING, BRS, STR, PM02/BM04	2
▲ 6	613537	●HOSE, 1/4ID X 1.083M	1
▲ 7	579112	FITTING, SPRAY NOZZLE ADPTR	1
▲ 8	579198	RIVET, POP	2
▲ 9	579137	●FITTING, TIP, 9508 1/8V-JET BRS	1
▲ 10	579113	SWIVEL, WAND ATTACHMENT	1
▲ 11	579132	RING, ATTACHMENT	1

REF	PART #	DESCRIPTION	QTY
▲ 12	579135	SCREW, SELF TD UNITED	10
▲ 13	579103	RETAINER, WAND BLADE	2
▲ 14	579239	●BLADE, SQUEEGEE, FRONT	1
▲ 15	579230	●BLADE, SQUEEGEE, REAR	1
▲ 16	579147	SCREW, #6X1-1/2 PANHD SLFTPG	2
▲ 17	579101	HEAD, WAND	1
▲ 18	579102	●BRUSH, WAND TWO ROW	1
▲ 19	579187	CLIP, SPRING	1
▲ 20	150208	FITTING, BRS, STR, PM02 PLUG	1
▲ 21	579109	WAND, SINGLE BEND	1
▲ 22	150510	FITTING, BRS, STR, PF04/BM04	1

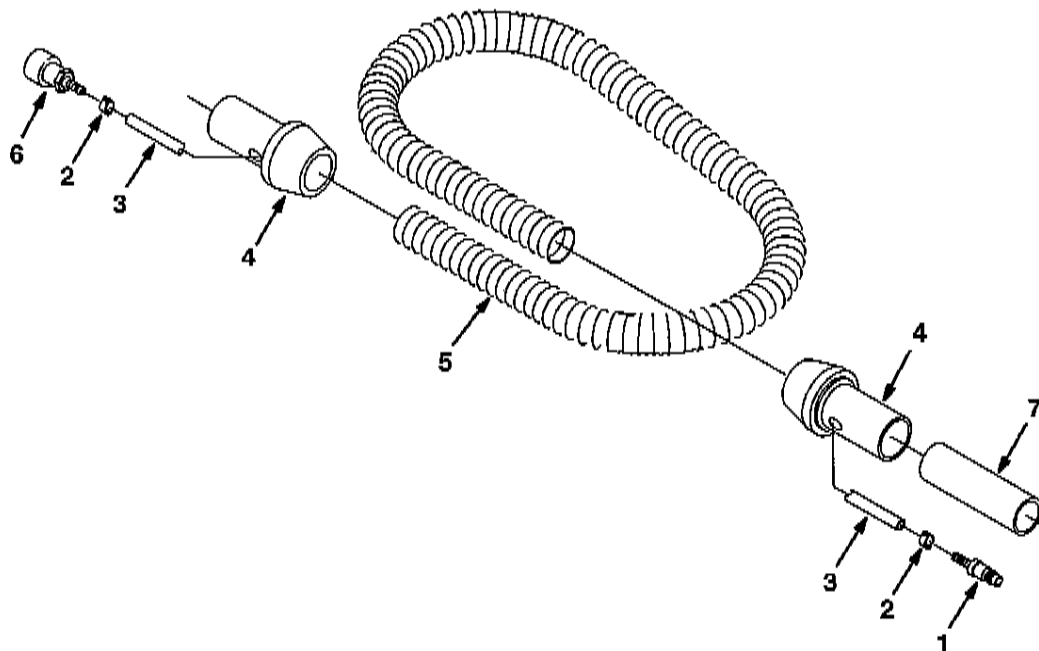
▽ ASSEMBLY / CONJUNTO

▲ INCLUDED IN ASSEMBLY / INCLUIDO EN EL CONJUNTO

● RECOMMENDED STOCK ITEMS / ARTICULOS RECOMENDADOS PARA
MANTENER EN EXISTENCIA

**OPTIONS
OPCIONES**

**POWER WAND HOSE GROUP
CONJUNTO DE LA MANGUERA DEL TUBO ELÉCTRICO**



REF	PART #	DESCRIPTION	QTY
▽	578903000	●HOSE ASM., POWER WAND	1
▲ 1	578318000	●FITTING, 3/8M X 1/4H QC	1
▲ 2	140325	CLAMP, HOSE 1/2 EAF	2
▲ 3	578820000	HOSE, .25ID, .44OD, 4.0M LG	1
▲ 4	578072000	●CUFF, SWIVEL, 1-1/2 BLACK	2

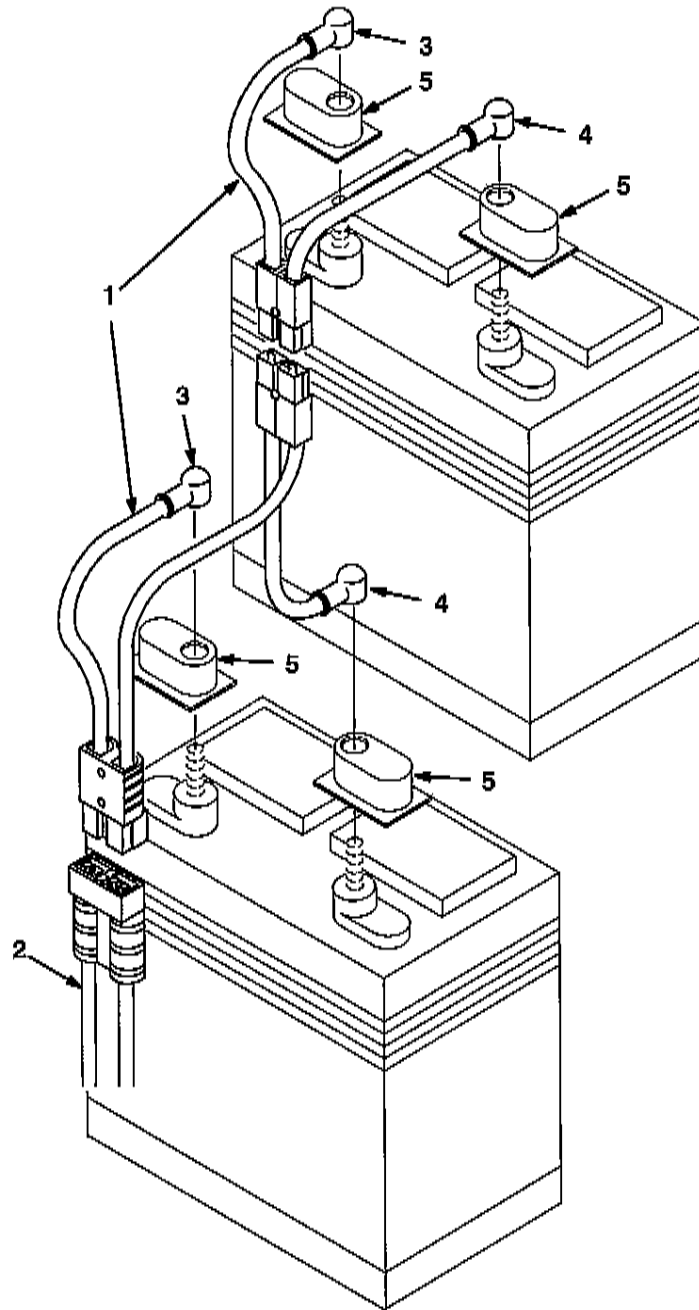
REF	PART #	DESCRIPTION	QTY
▲ 5	578276000	HOSE, VAC 1-1/2 X 10' GRAY	1
▲ 6	578071000	●CONNECTOR, QUICK FEMALE	1
▲ 7	231091	TUBE, 1.50"DIA X 5.0"LG	1

▽ ASSEMBLY / CONJUNTO

▲ INCLUDED IN ASSEMBLY / INCLUIDO EN EL CONJUNTO

● RECOMMENDED STOCK ITEMS / ARTICULOS RECOMENDADOS PARA MANTENER EN EXISTENCIA

**QUICK CHANGE BATTERY KIT
KIT DE CAMBIO INMEDIATO DE BATERÍA**



REF	PART #	DESCRIPTION	QTY
▽	604341	●KIT, QUICK CHANGE BATTERY	1
▲ 1	603210	●ASM., CABLE W/RED CONNECT QUICK CHANGE	2
▲ 2	603209	ASM., CABLE W/RED CONNECT QUICK CHANGE	1

REF	PART #	DESCRIPTION	QTY
▲ 3	611221	●BOOT, BATTERY CABLE BLACK	4
▲ 4	611222	●BOOT, BATTERY CABLE RED	4
▲ 5	45962	●CAP, BATTERY PLSTC	8

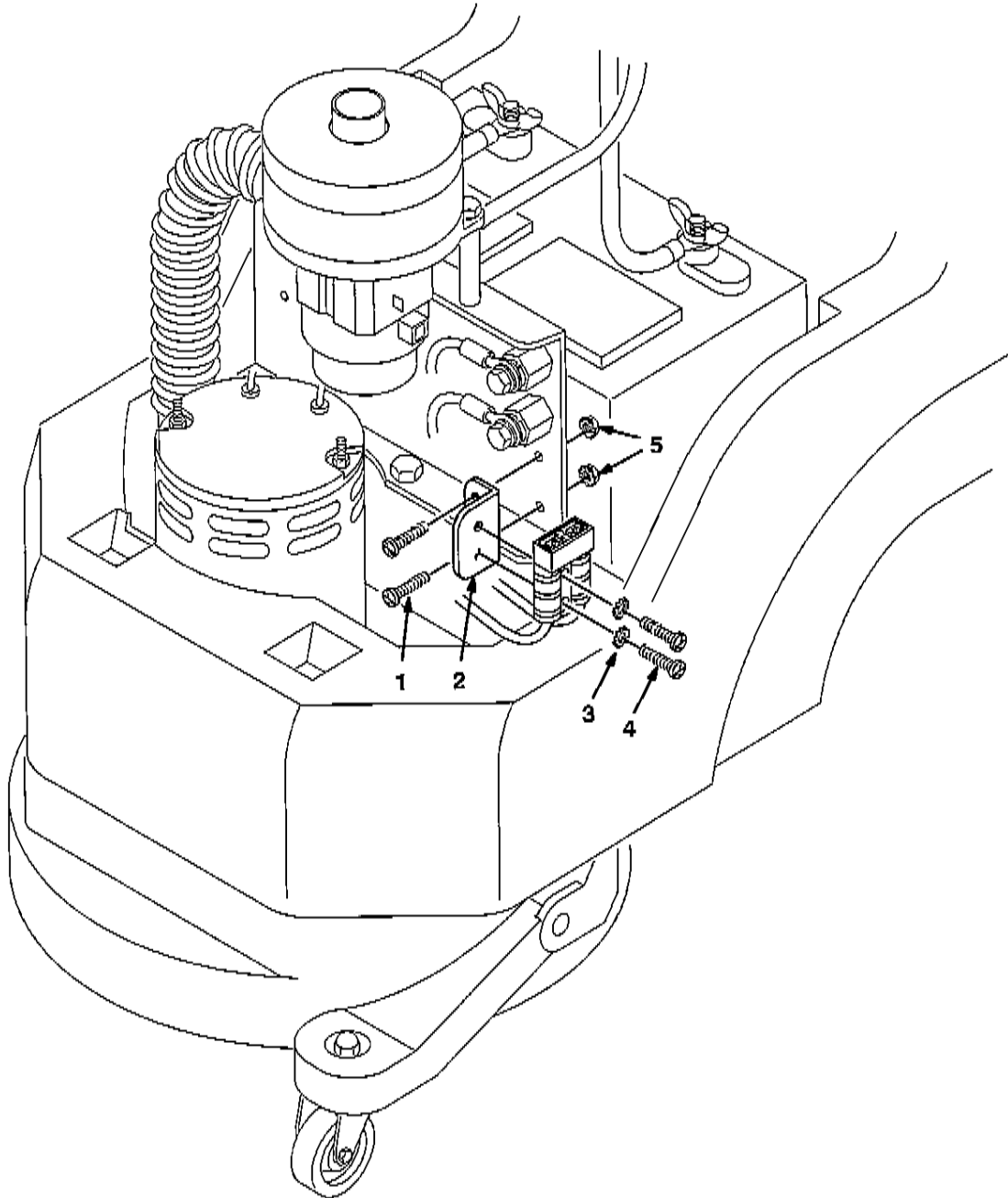
▽ ASSEMBLY / CONJUNTO

▲ INCLUDED IN ASSEMBLY / INCLUIDO EN EL CONJUNTO

● RECOMMENDED STOCK ITEMS / ARTICULOS RECOMENDADOS PARA MANTENER EN EXISTENCIA

**OPTIONS
OPCIONES**

**BATTERY CONNECTOR MOUNT KIT
KIT DE MONTAJE DE LOS CONECTORES DE LA BATERÍA**



REF	PART #	DESCRIPTION	QTY
▽	606689	●KIT, BATTERY CONNECTOR MOUNT	1
▲	140887	SCREW, 10-24X .38 PAN PHL	2
▲	606688	BRACKET, BATTERY CONNECTOR	1

REF	PART #	DESCRIPTION	QTY
▲	140019	WASHER, LOCK EXT #06	2
▲	2728.12	SCREW, 6-32 X .75 PAN PHL	2
▲	140519	NUT, KEP 10-24	2

▽ ASSEMBLY / CONJUNTO

▲ INCLUDED IN ASSEMBLY / INCLUIDO EN EL CONJUNTO

● RECOMMENDED STOCK ITEMS / ARTICULOS RECOMENDADOS PARA MANTENER EN EXISTENCIA