



# Electronic Service Manuals

This electronic document is provided as a service to our customers. We do not create the contents of the information contained in this document. Should you have detailed questions pertaining to the information contained in this document, you may contact Michco, or the manufacturer which provided the original information in this electronic deliverable. Michco's only part in this electronic deliverable was the electronic assembly process.

You may contact Michco through the following methods:  
Phone (517) 484-9312 or (800) 331-3339 MI, OH, IN only  
2011 N. High St. -- Lansing, Michigan -- 48906  
Fax: (517) 484-9836  
Email: [CustServ@Michco.com](mailto:CustServ@Michco.com)  
Web site: [www.Michco.Com](http://www.Michco.Com)  
Parts Web site: [www.FloorMachineParts.Com](http://www.FloorMachineParts.Com)

Order Parts on Line at:  
**[www.FloorMachineParts.Com](http://www.FloorMachineParts.Com)**

Directly to Parts & Service:  
By Email: **[Shop@Michco.com](mailto:Shop@Michco.com)**  
By Fax: (517) 702-2041  
By Voice: Use numbers above.

**Serving the Cleaning Industry Since 1922**

Notice: All copyrighted material remains property of original owners, all trademarks are property of respective owners. Manuals are subject to Manufacturer's reproduction limitations. Originals or reproductions were provided by manufacturers through a request. We make no warranty as to the correctness of information provided in this document and you assume all risk.

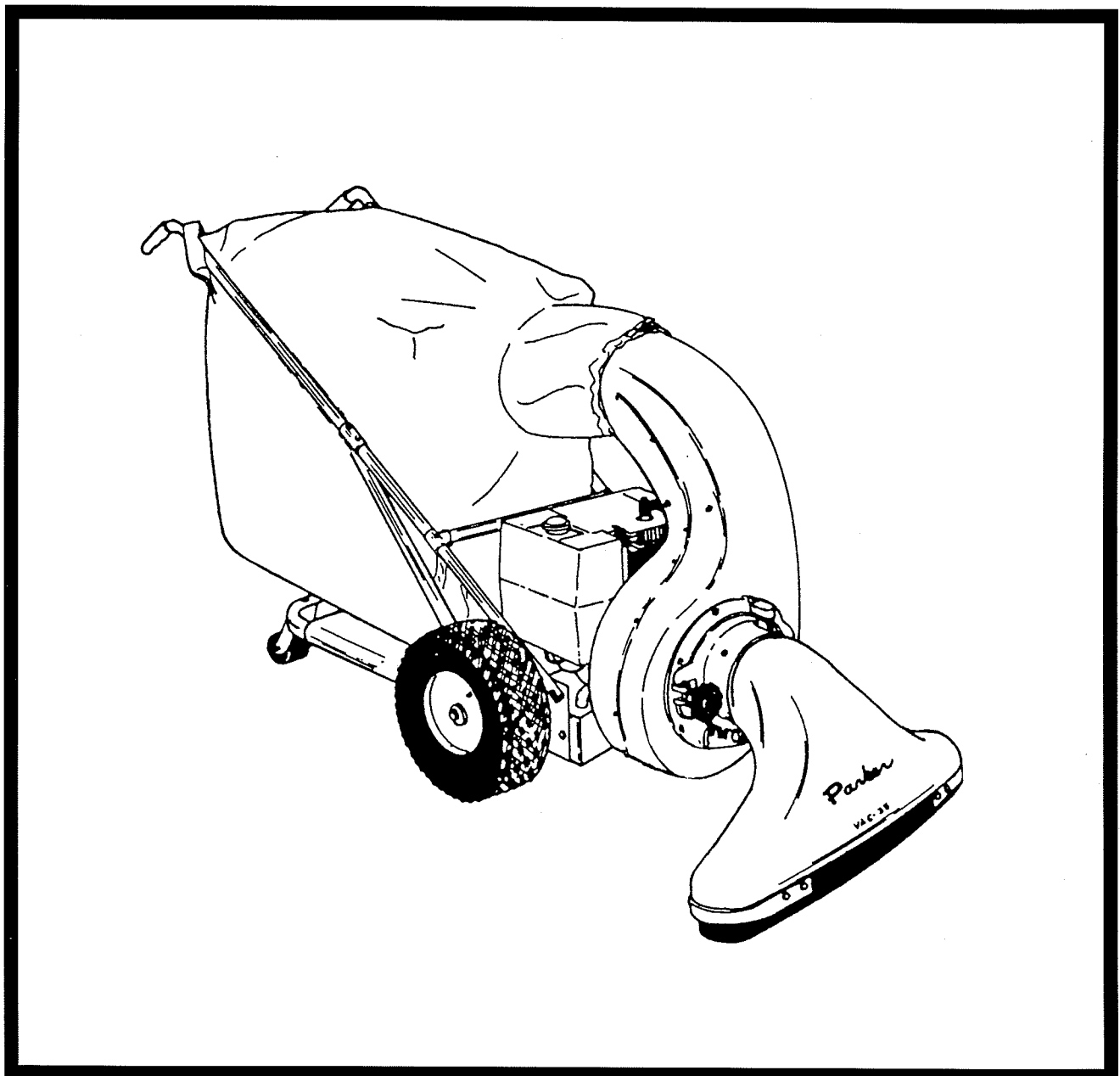
# ***Minuteman***<sup>®</sup>

# ***Parker***<sup>®</sup>

**Vac 35**

**Model: PV-8705  
PV-8708  
PV-9508**

■ OPERATION ■ SERVICE ■ PARTS ■ CARE



Revised 1/95

# TABLE OF CONTENTS

1 & 2	General Safety Instructions
3	Warning Decal Replacement
4 & 5	Assembly Instructions
6	Operating Instructions
7	Repair Parts, Handle
8, 9, 10, 11	Engine Interloc System
12, 13	Repair Parts, Vacuum Assembly

<b>SOUND</b>		<b>VIBRATION</b>
<b>99 dB</b> <b>Operator</b>	<b>89 dB</b> <b>At 3m</b>	<b>.015 m/s</b> <b>At Operators Handles</b>
Tests were conducted on 1/20/95 with calibrated sound and vibration equipment under the conditions noted below:		
General Condition: Cloudy	Wind: 8 km/hr	
Temperature: 5°C	Humidity: 68%	
Barometric Pressure: 29.9" Hg		

Model # \_\_\_\_\_

Serial # \_\_\_\_\_

# IMPORTANT SAFETY INSTRUCTIONS

## READ ALL INSTRUCTIONS BEFORE USING

### WARNING

- To prevent personal injury or property damage, do not attempt to start engine until all assembly steps are complete and you have read and understand the safety and operating instructions in this manual.
- Under California, and under laws of several other states, you are not permitted to operation internal combustion's engine using hydrocarbon fuels on any forest covered, brush covered, or grass covered land, or on land with grain, hay, or other flammable agricultural crop, without an engine spark arrester in continuous effective working order.  
The engine on your power equipment, like most outdoor power equipment, is an internal combustion engine that burns gasoline, a hydrocarbon fuel. Therefore, your power equipment must be equipped with a spark arrester muffler in continuous effective working order. The spark arrester must be attached to the engine exhaust system in such a manner that flames or heat from the system will not ignite flammable material. Failure of the owner/operator of the equipment to comply with this regulation is a misdemeanor under California law, and may also be a violation of other state and/or federal regulations, laws, ordinances, or codes. Contact your local fire marshal or forest service for specific information about what regulations apply in your area.
- Wear approved safety glasses when operating this equipment. The operation of any powered machine can result in foreign objects being thrown by high-speed rotating parts.
- Wear work gloves, sturdy footwear, and hearing protection when operating this equipment.
- Remove hearing protection and watch for traffic when operating near, or when crossing roadways.
- Do not operate this equipment on a paved, gravel, or hard surface unless the collection bag is installed. Discharged material may bounce from a hard surface.
- Before inspecting or servicing any part of equipment, shut off engine, disconnect spark plug wire from spark plug, and make sure that all moving parts have come to a complete stop. Be aware that rotating blades slow down gradually after engine is shut off.
- Exercise extreme caution on slopes and avoid excessively steep slopes.
- Never leave equipment unattended when engine is running. Shut off engine and disconnect spark plug wire from spark plug before leaving equipment.
- Do not vacuum any burning or smoldering materials such as cigars, cigarettes, ashes or cinders.
- Do not vacuum areas that have been recently treated with fertilizers, pesticides or herbicides. Follow chemical manufacturer's safety instructions regarding contact with treated areas.
- Do not vacuum flammable liquids such as gasoline, kerosene, diesel fuel, paint thinner, etc.

- Never allow children or untrained adults to operate this equipment.
- Keep the area of operation clear of all persons, particularly small children, and pets. Keep bystanders at least 25 feet away from the area of operation.
- Do not run engine in an enclosed area. Engine exhaust contains carbon monoxide gas, a deadly poison that is odorless, colorless, and tasteless. Do not operate this equipment near buildings, windows, or air conditioners.
- Do not allow hands or any other part of the body or clothing inside the vacuum inlet.
- Before removing or installing collection bag, shut off engine, disconnect spark plug wire from spark plug, and allow all moving parts to come to a complete stop.
- Empty the collection bag after each use. Decomposing debris could generate enough heat to catch fire. Before emptying the collection bag, shut off engine, disconnect spark plug and allow all moving parts to come to a complete stop.
- If equipment jams or becomes clogged, immediately shut off engine, disconnect spark plug, and allow all moving parts to come to a complete stop. Use only a wooden stick to clear away debris.
- Do not start engine or operate this equipment with any safety guards or housing removed.

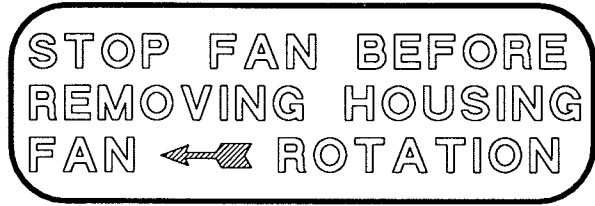
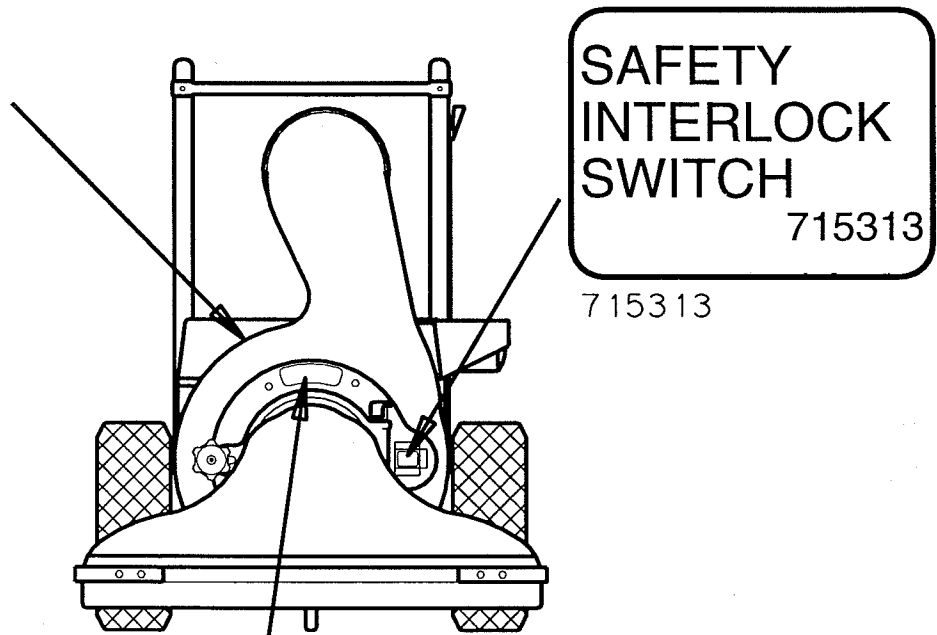
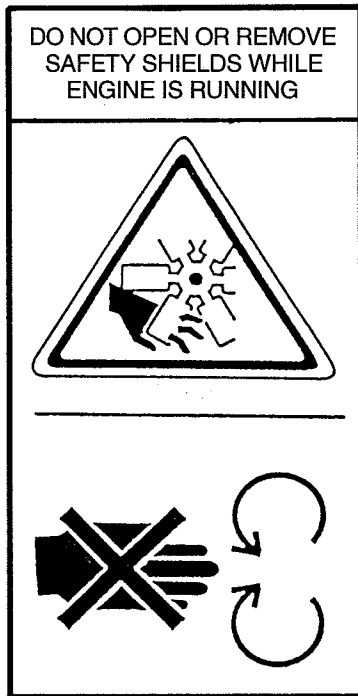
## **DANGER**

Gasoline is highly flammable and its vapors are explosive. To prevent personal injury or property damage:

- Do not add fuel if engine is running or still hot from recent operation. Allow engine to cool for at least three minutes.
- Do not fill fuel tank indoors. After filling, wipe up any spills and move away from gasoline fumes before starting engine.
- Do not allow open flame, matches, or smoking in area.
- Fill fuel tank with fresh, clean unleaded regular automotive gasoline, (leaded regular and unleaded or leaded premium grades of gasoline are acceptable substitutes).
- Do not mix oil with gasoline.
- Clean the area around the fuel fill cap and remove the cap from the fuel tank. Insert a clean funnel into the fuel tank.
- Fill the tank to 1/2 inch below the bottom of the filter neck to provide space for any fuel expansion.
- Reinstall the fuel fill cap securely and wipe up any spilled gasoline.

**SAVE THESE INSTRUCTIONS**

# SAFETY DECALS



85-151-A

# ASSEMBLY INSTRUCTIONS

1. The VAC 35 covered in this owner's guide is shipped complete in one box. Follow all instructions on assembly very carefully.
2. Unpack all items from carton.
3. Tip box over so wheels are toward floor. Pull unit out of box and stand upright.
4. DO NOT discard the carton or any of the inserts until the unit is completely assembled.
5. All hardware is on the unit in its proper location. If something is missing, notify the dealer/distributor where unit was purchased. If unable to purchase parts locally, contact the Parker Sweeper Company.
6. Whenever the terms left or right hand, or "L" and "R" are used, it means from a position standing behind the unit facing forward.

NOTE: Before continuing with instructions in this Owner's Manual, unpack items from small carton. Assemble those items as outlined in Instruction Sheet included in that package.

## HANDLE ASSEMBLY

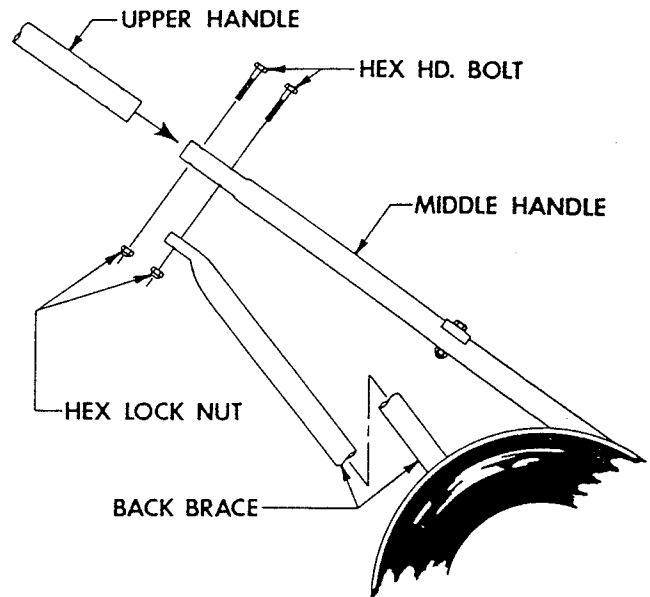
NOTE: See Figure 1 Handle Assembly on Page 7 of this owner's guide for reference to numbers used in the following instructions.

1. Remove hex head bolts (15) and hexagon lock nuts (21) from the bottoms of the upper handles (2) and (3).
2. Place upper handles (2) and (3) over the ends of the lower handles (4).
3. Align the lower holes in both upper and lower handles. Replace hexagon head bolts (15), removed in Step 1, to each of the lower holes.
4. Lift handles until the back braces (5) can be assembled to bolts (15) assembled in Step 3. Assemble hexagon lock nuts (21). DO NOT TIGHTEN.
5. Align the upper holes in both upper and lower handles. Assemble the remaining two hexagon head bolts (15) and hexagon lock nuts (21). DO NOT TIGHTEN.

NOTE: Check alignment of handle. The hexagon lock nuts have been left loose to allow movement between the holes and the bolts. Do not bend tubing to accomplish proper alignment.

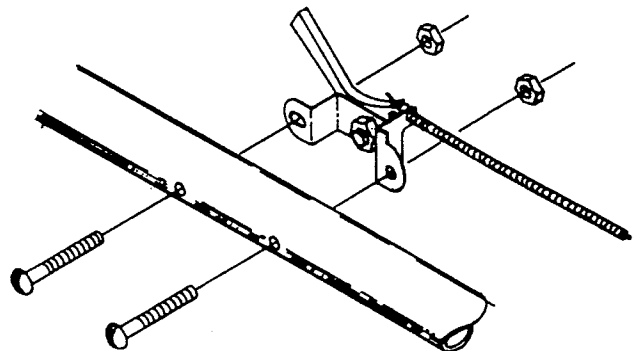
6. Once handles are aligned, tighten all hexagon lock nuts (21).

NOTE: Nuts should be tightened enough that at least two of the bolt threads extend through the nut. It may be necessary to collapse the tubing SLIGHTLY to accomplish this.



## THROTTLE HOOKUP

1. Remove throttle control (13) from the right lower handle (4).
2. Straighten the throttle cable out and run it up the left hand handles (3) and (4).
3. Attach the throttle control (13) to the upper left hand handle (3) with the two oval head screws (14) and hexagon nuts (20) furnished.
4. Attach snap-on clamps (11) to handles to secure throttle cable.
5. Make sure no bends are less than 8" radius.



# ASSEMBLY INSTRUCTIONS (Cont'd)

## TO ASSEMBLE SPIN-PAK®

NOTE: See Item 2 Housing Assembly on Page 12 of this owner's guide for reference to numbers used in the following instructions.

1. Remove hex head bolts (38), flatwashers (31), and lock nuts (29) from the three upper holes used to secure retaining ring (23) to housing assembly (16). DO NOT remove the bottom bolt or retaining ring from housing assembly.
2. Align the holes in Spin-Pak® (24) with three upper holes in retaining ring and housing assembly.
3. Replace hardware removed in Step 1 and tighten.

## ATTACHING INTAKE HOUSING

1. Insert hinge bosses on collar of intake housing (522) behind the hinged extension on front cover assembly (15).
2. Swing intake housing (52) to lay flat against front cover assembly (15).
3. Secure by placing flatwasher (32) and adjusting knob (19), on pivot bolt, over the collar of intake housing and tighten adjusting knob.

## ATTACHING DUST BAG

1. Place large loop in upper bag straps over the upper handles.
2. Place neck of dust bag over Spin-Pak® until tie strap can be pulled tight around neck of housing, just over bead on retaining ring. Bead must be covered.
3. Place bag hooks onto loops in lower bag straps and hook to lower cross bar.

**WARNING:** Failure to attach bag hooks to lower cross bar can cause premature wear of bag and neck at the Spin-Pak®. The Spin-Pak® may also break prematurely due to excessive weight from the bag.

**WARNING:** The engine contains NO OIL. Read the Engine Instruction Manual carefully before operating the VAC 35. Be sure you know how to start and stop the engine before proceeding further. Do not start the engine until all assembly is finished.

**WARNING:** Make a thorough inspection to see that all fastenings are tight and all parts are properly installed. DO NOT start engine without intake housing and dust bag in place.

If engine is started without intake housing attached, serious injury may result by drawing clothing or parts of the body into the fan.

If engine is run without Spin-Pak® or dust bag, small stones or other objects may be picked up and propelled at operator or bystanders through the unprotected opening causing serious injury.

# OPERATING INSTRUCTIONS

## READ SAFETY OPERATING INSTRUCTIONS BEFORE OPERATING EQUIPMENT

1. Heavy concentration of sand and gravel should be avoided. These materials are extremely abrasive, and while the VAC 35 will handle moderate amounts of these materials, it is not designed for heavy applications. Treat your VAC 35 with reasonable care and it will repay you with long, trouble-free service.
2. The VAC 35 will handle most common kinds of debris found around industrial plants, commercial buildings, homes and farms. Acid contaminated materials, magnesium, dust and other DANGEROUS DEBRIS that is considered hazardous should not be handled with the VAC 35.
3. The efficiency of this unit depends on the breathing capacity of the dust bag. Under extremely dusty conditions the bag should be emptied and cleaned frequently. Always empty and clean bag before storing after use. Debris allowed to remain in the bag may cause spontaneous combustion, resulting in an explosion or fire. See instructions supplied with dust bag.

### DUST BAG CARE

1. To clean dust bag, turn the bag inside out and reattach to unit.
2. Start engine and run at full throttle. Lightly tap bag to release dirt trapped in the weave.

3. When clean, turn bag right side out and reattach to unit.
4. Bag can be washed if extremely dirty.

### TO START UNIT

**IMPORTANT:** Read the Engine Manual CAREFULLY before operating the VAC 35. Before starting the engine read and understand the following:

1. Be sure the engine crankcase is filled with the proper type and amount of oil.
2. Spin-Pak® is in place.
3. Dust bag or discharge hose is in place.
4. Intake housing or hose kit is attached to the fan housing.

### TO STOP ENGINE

To stop the engine, Briggs & Stratton equipment, move the Engine Throttle Control to the STOP position. For Honda equipment, reduce engine speed to slow, turn engine STOP control to off, on side of engine. Remove any hearing protection and listen for all moving parts to come to a complete stop.

### LUBRICATION

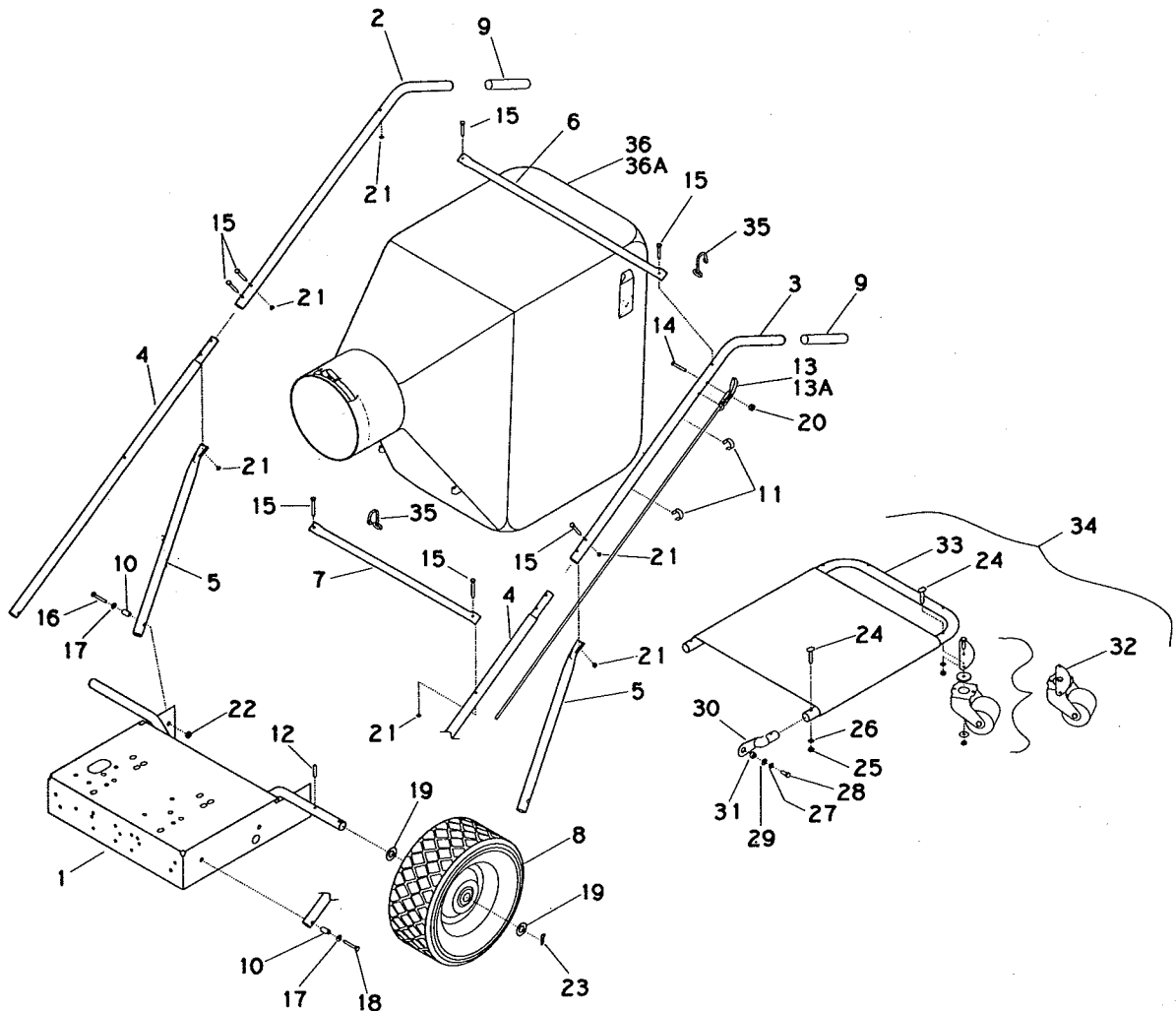
1. Add a few drops of oil to the throttle control cable and wire to help keep it operating smoothly.

## Clearing the Machine of Clogs and Jams

A clog or jam in the machine can cause the vacuuming operation to decrease or even stop completely. If this occurs, take the following steps:

1. STOP THE ENGINE IMMEDIATELY and disconnect the spark plug wire from the spark plug. Wait for all moving parts to come to a complete stop.
2. Check (and clean, if necessary) the following areas in this order:
  - Check that the collection bag is not overfilled. Remove and empty bag.
  - While the bag is removed, check that the discharge deflector is not clogged or jammed. Use a stick to clear away any debris.
  - Check that the vacuuming attachment is not clogged or jammed. Remove the attachment and thoroughly clean the opening. While the attachment is removed, check the inlet opening to the machine. Use a stick to clear away any debris.

# HANDLE ASSEMBLY

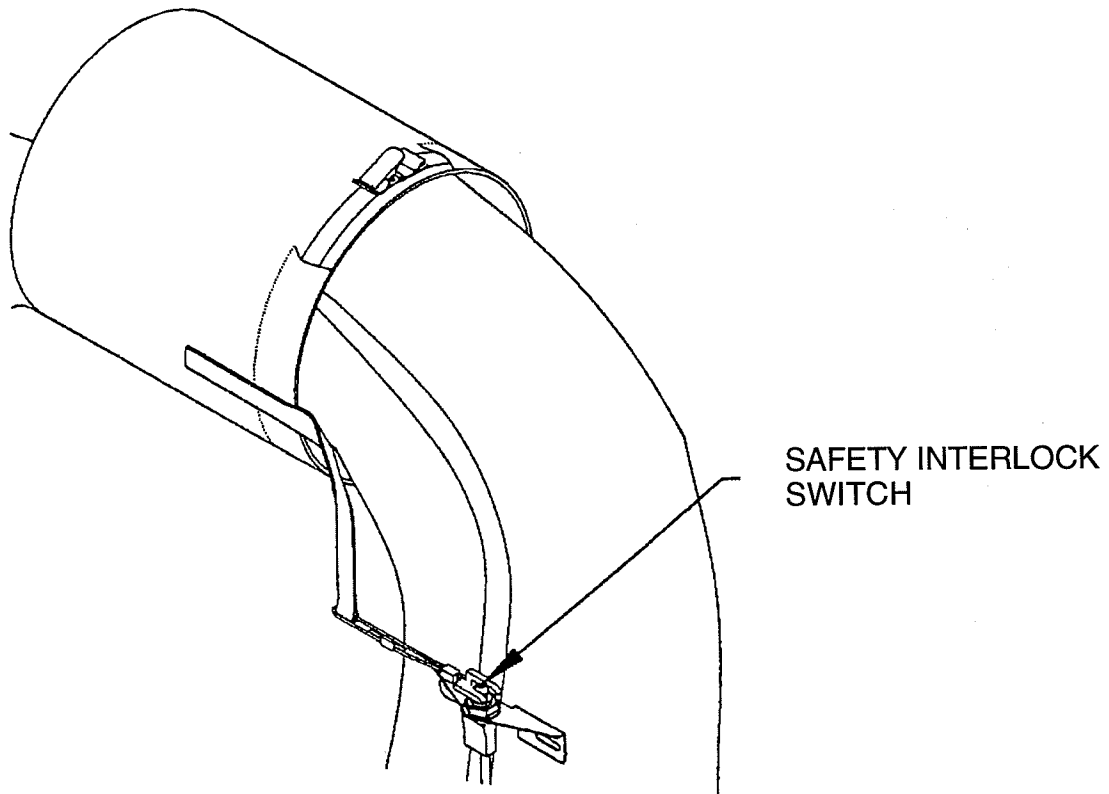
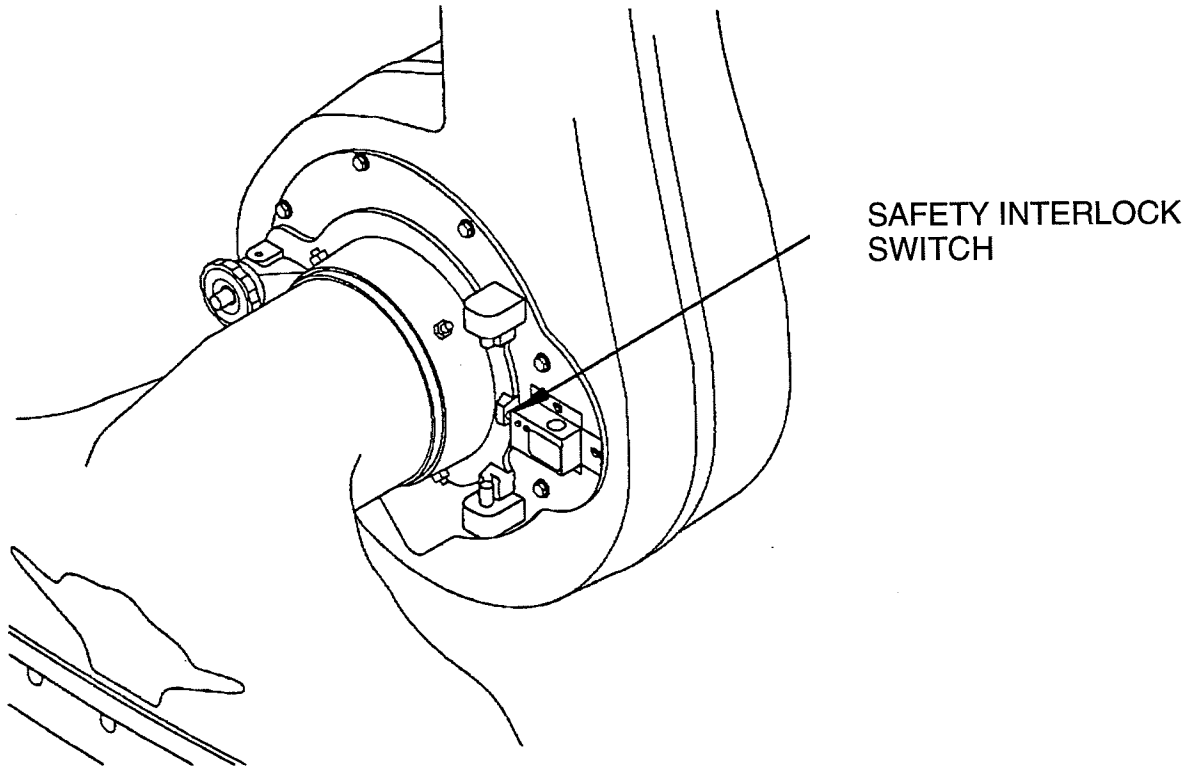


## PARTS LIST

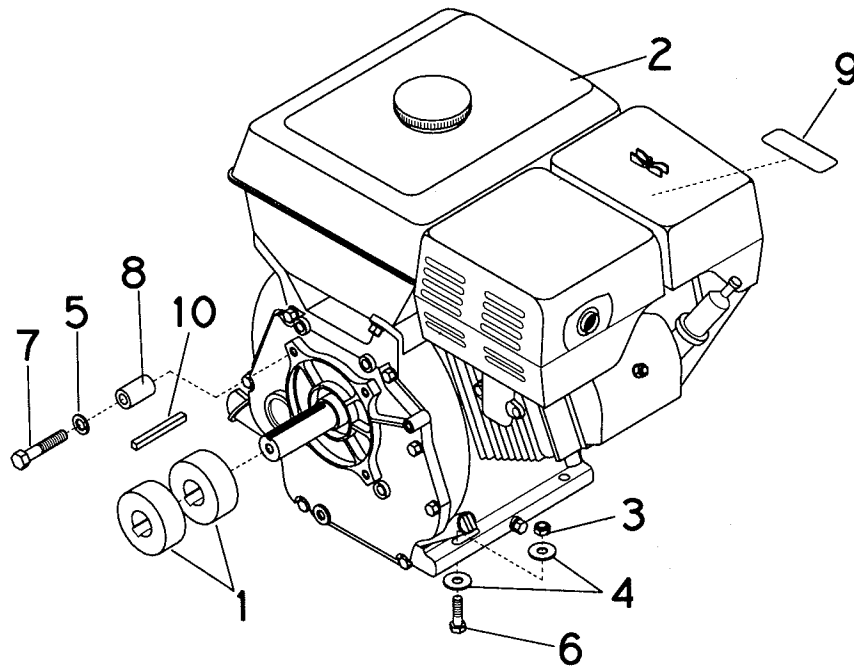
Item	Part No.	Qty.	Description	Item	Part No.	Qty.	Description
1	88-60-C	1	Chassis Weldment	19	945-1216	4	Flatwasher, Plain 3/4
2	80-321-C	1	Upper Handle R.H.	20	712638	2	Nut, Hex Lock 10-24
3	83-18-C	1	Upper Handle L.H.	21	711373	8	Nut, Hex Lock 1/4-20
4	88-47-B	2	Lower Handle	22	711374	2	Nut, Hex Lock 5/16-18
5	88-48-C	2	Handle Back Brace	23	380-432-20	2	Cotter Pin
6	81-04-B	1	Cross Brace, Upper	24	69-416-24	6	1/4-20 x 1.50 Contour Head Bolt
7	81-47-B	1	Cross Brace, Lower	25	711316	6	1/4-20 Hex Nut
8	SA-231-B	2	Wheel Assembly	26	711544	6	1/4 Helical Washer
9	80-232-A	2	Handle Grip	27	711545	2	5/16 Helical Washer
10	80-238-A	4	Insert	28	713027	2	5/16-18 x 1.00 Hex Bolt
11	80-276-A	2	Clamp, Snap-On	29	76-36-A	2	Special Washer
12	84-103-A	2	Roll Pin .199/.194 Dia. x 1 1/2 Lg.	30	81-116-A	2	Tubing End Cap
13	83-25-B-41	1	Throttle Control Assembly, 5 HP	31	81-120-A	2	Spacer
13A	83-25-B-44	1	Throttle Control Assembly, 8 HP	32	SA-1021-B	1	Caster and Plate Assembly
14	515-10-20	2	Screw, Rd. Hd. Mach. 10-24 x 1 1/4	34	SA-1023-C	1	Frame and Bag Platform
15	713005	8	Bolt, Hex Hd. 1/4-20 x 1 1/2	35	MA-471-D	1	Bag Platform
16	713031	2	Bolt, Hex Hd. 5/16-18 x 2	36	63-304-A	4	Bag Hook
17	711506	4	Flatwasher, Plain 5/16	36	350800	1	Standard Vacuum Dust Bag
18	713029	2	Bolt, Hex Hd. 5/16-18 x 1 1/2	36A	350850	1	Optional Vacuum Dust Bag

# SAFETY INTERLOC SYSTEM

This equipment incorporates two safety interloc systems. Figure 1 below is for the front vacuum Housing Assembly. Figure 2 is for the Cloth Bag Assembly. Both interlocks must be engaged for engine to start.

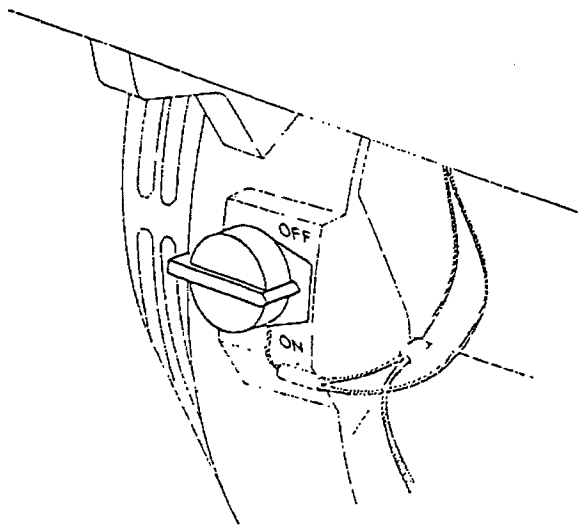


# HONDA

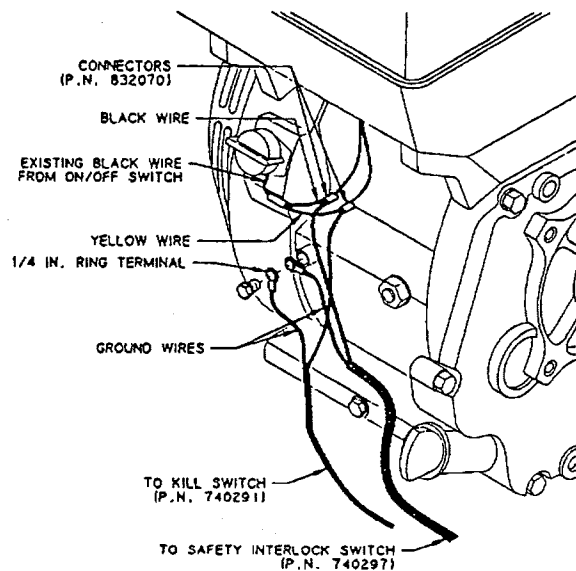


Item	Part No.	Qty.	Description
1	88-153-A	1	Spacer
2	350500	1	8 HP Honda Engine
3	711380	4	3/8-16 Nyloc Nut
4	711508	8	.44 x 1.00 Flatwasher
5	711546	4	3/8 Helical Washer
6	713045	4	3/8-16 x 1.75 Hex Bolt (Grd. 5)
7	713047	4	3/8-16 x 2.25 Hex bolt (Grd. 5)
8	350150	4	.406 x .75 x 1.38 Spacer
9	715314	1	Muffler Decal
10	74-112-A	1	1/4 x 1/4 x 2 1/2 Key

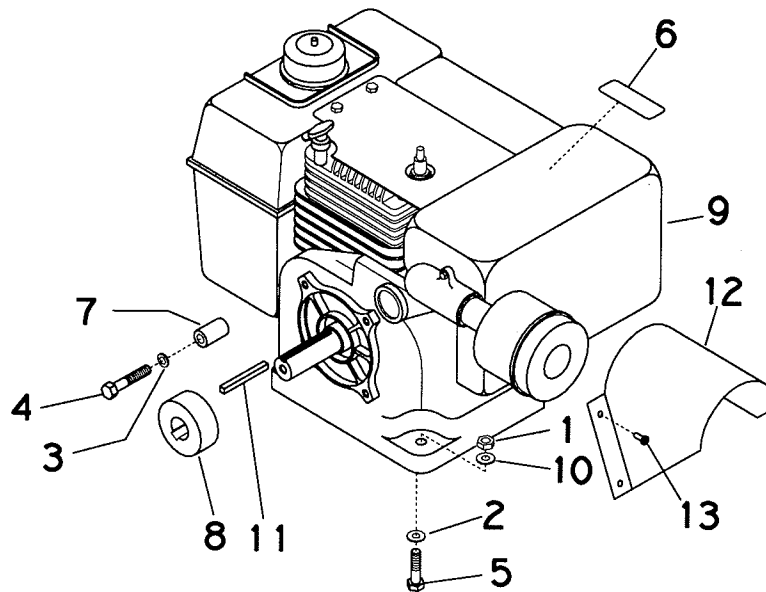
## SAFETY INTERLOC WIRING DIAGRAM



ENGINE ON/OFF SWITCH

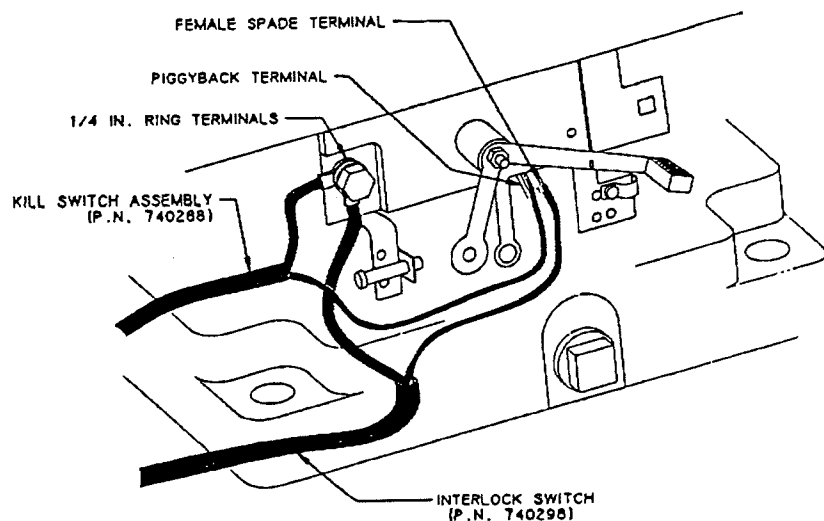


# KOHLER

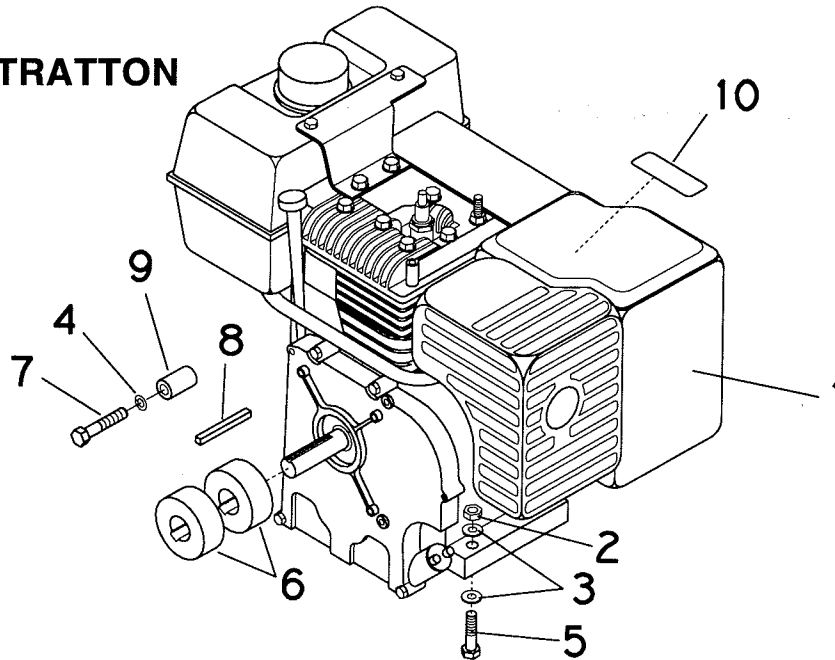


Item	Part No.	Qty.	Description
1	711380	4	3/8-16 Nyloc Nut
2	711508	4	.44 x 1.00 x .06 Flatwasher
3	711546	4	1/4 Helical Washer
4	713044	4	3/8-16 Hex Bolt (Grd. 5)
5	713044	4	3/8-16 Hex Bolt (Grd. 5)
6	715314	1	Muffler Decal
7	79-139-A	4	Spacer
8	72-130-A	1	Spacer
9	86-88-D	1	8 HP Kohler Engine
10	711515	4	WSR-Flat .44 x .87 x .07
11	74-112-A	1	1/4 x 1/4 x 2 1/2 Key
12	93-04	1	Muffler Cover
13	711124	2	#10 Self-Tapping Screws

## SAFETY INTERLOC WIRING DIAGRAM KOHLER

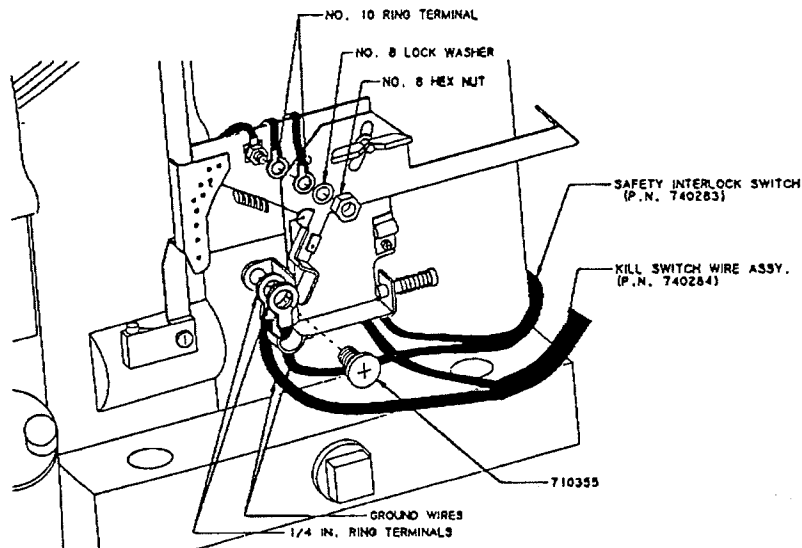


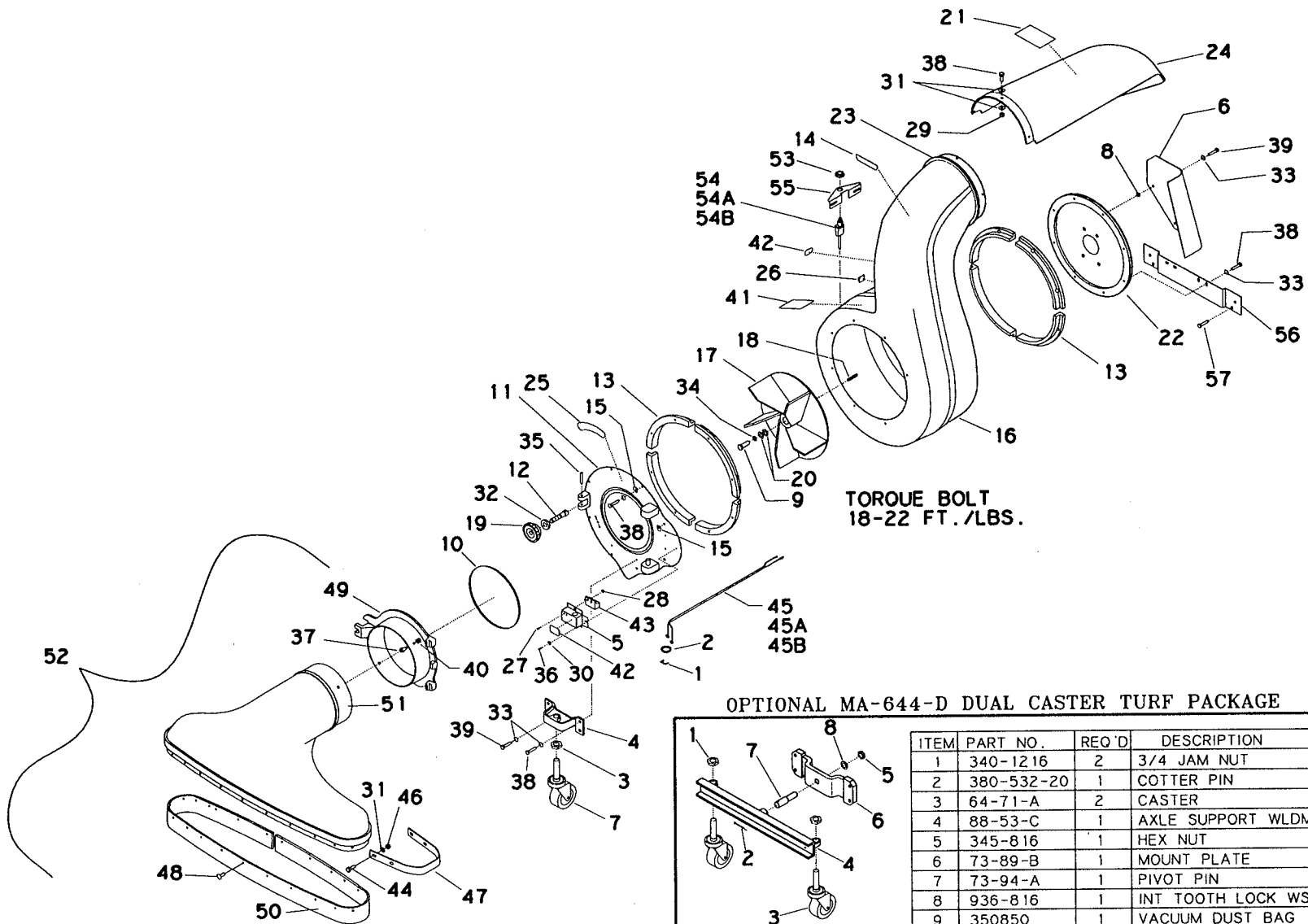
# BRIGGS & STRATTON 5 HP/8 HP



Item	Part No.	Qty.	Description
1	350600	1	Engine 8HP Briggs & Stratton
1A	87-11-D	1	Engine 5HP Briggs & Stratton
2	711374	4	Nut-Nyloc 5/16-18
3	711506	8	WSR-Flat 5/16 STPL
4	711546	4	WSR-Helical 3/8
4A	711545	4	WSR-Helical 5/16
5	713031	4	BLT-HH 5/16-18 x 2 #5
5A	713029	4	BLT-HH 5/16-18 x 1 1/2 #5
6	88-153-A	2	Spacer 8HP
6A	73-20-A	1	Spacer 5HP
7	713047	4	BLT-HH 3/8-16 x 2 1/4 #5
7A	713027	4	BLT-HH 5/16-18 x 1 #5
8	74-112-A	1	Key 1/4 x 1/4 x 2 1/2
8A	61-65-A	1	Key 3/16 x 1 3/4 Long
9	82-151-A	4	Spacer
9A	81-42-A	4	Spacer 5HP
10	715314	1	Decal Warning

## SAFETY INTERLOC WIRING DIAGRAM BRIGGS & STRATTON





OPTIONAL MA-644-D DUAL CASTER TURF PACKAGE

ITEM	PART NO.	REQ'D	DESCRIPTION
1	340-1216	2	3/4 JAM NUT
2	380-532-20	1	COTTER PIN
3	64-71-A	2	CASTER
4	88-53-C	1	AXLE SUPPORT WLDMT
5	345-816	1	HEX NUT
6	73-89-B	1	MOUNT PLATE
7	73-94-A	1	PIVOT PIN
8	936-816	1	INT TOOTH LOCK WSR
9	350850	1	VACUUM DUST BAG

# PARTS LIST

Item	Part No.	Qty.	Description
1	100028	1	Strain Relief
2	101008	1	Rubber Grommet
3	340-1216	1	Hex Jam Nut
4	66-430-C	1	Caster Bracket
5	350130	1	Switch Bracket
6	350132	1	Heat Shield
7	64-71-A	1	Stem Type Caster
8	54-227-A	2	Spacer
9	60-716-20	1	7/16-20 x 1.25 Hex Bolt (Grd. 5)
10	63-190-A	1	O-Ring Gasket
11	63-191-D	1	Front Plate
12	63-192-A	1	Pivot Bolt
13	64-78-C	8	Anti-Wrap Segment
14	67-08-A	1	Spin Pak Decal
15	78-120-A	2	Cable Clip
16	70-103-F	1	Housing Assembly
17	72-175-D	1	Fan Wheel, 8 HP
18	74-112-A	1	1/4 x 2.50 Fan Key
19	80-29-A	1	Adjusting Knob
20	82-138-B-3	2	7/16 Flatwasher
21	715318	1	Caution Decal
22	84-372-C	1	Back Plate and Gasket
23	85-59-C	1	Retaining Ring
24	85-61-D	1	Spin-Pak® Deflector
25	85-151-A	1	Warning Decal
26	809443	1	Cord Clip
27	710130	2	8-32 x .62 MCH Screw
28	711372	2	8-32 Nyloc Nut
29	711373	4	1/4-20 Nyloc Nut
30	711503	3	#10 Washer
31	711505	16	1/4 Flatwasher
32	711509	1	1/2 Flatwasher
33	711544	18	1/4 Lockwasher
34	350242	1	Belleville Washer
35	711661	1	Spring Pin
36	712810	3	10-24 x .62 MCH Screw
37	713001	4	1/4-20 x .63 Hex Bolt
38	713003	14	1/4-20 x 1.00 Hex Bolt
39	713004	4	1/4-20 x 1.25 Hex Bolt
40	369-416	4	1/4-20 Serrated Hex Lock Nut
41	715300	1	Warning Decal
42	715313	2	Safety Interlock Decal
43	740282	1	Gray Safety Switch
44	713002	8	1/4-20 x .75 Hex Bolt
45	740284	1	Wire Lead (Briggs)
45A	740288	1	Wire Lead (Kohler)
45B	740291	1	Wire Lead (Honda)
46	711377	8	1/4-20 Lock Nut
47	62-98-C	2	Guard
48	80-332-A	15	Xmas Tree Fastener
49	63-195-D	1	Collar
50	73-76-C	1	Skirt (24" intake)
50A	73-67-D	1	Skirt (30" intake)
50B	73-74-D	1	Skirt (36" intake)
51	65-567-F	1	24" Intake Housing
51A	77-18-F	1	30" Intake Housing
51B	MA-121	1	36" Intake Housing
52	MA-113-D	1	24" Intake
52A	MA-251-D	1	30" Intake
52B	MA-120-D	1	36" Intake
53	350135	1	Switch Nut
54	740283	1	Safety Switch (Briggs)
54A	740297	1	Safety Switch (Honda)
54B	740298	1	Safety Switch (Kohler)
55	350129	1	Safety Switch Bracket
56	350128	1	Housing Support
57	72-416-10	4	1/4-20 x .50 Threaded Cutting Bolt

## LIMITED WARRANTY

The Parker Sweeper Company warrants to the original purchaser/user that this product is free from defects in workmanship and materials under normal use and service for a period of two years from date of purchase. In addition, Parker Sweeper Company, will, at its option, honor labor warranty claims for the first 12 months from date of sale, provided such claims are submitted through and approved by factory authorized repair stations. Parker Sweeper Company, will, at its option, repair or replace without charge, except for transportation costs, parts that fail under normal use and service when operated and maintained in accordance with the applicable operation and instruction manuals.

This warranty does not apply to normal wear, or to items whose life is dependent on their use and care, such as belts, cords, switches, hoses, rubber parts, electrical motor components or adjustments. Parts not manufactured by Parker Sweeper Company such as engines, batteries, battery chargers, hydraulic pumps, and tires are covered by and subject to the warranties and/or guarantees of their manufacturers. Please contact Parker Sweeper Company for procedures in warranty claims against these manufacturers.

**Special warning to purchaser** -- Use of replacement filters and/or prefilters not manufactured by Parker Sweeper Company or its designated licensees, will void all warranties expressed or implied.

A potential health hazard exists without exact original equipment replacement.

All warranted items become the sole property of Parker Sweeper Company or its original manufacturer, whichever the case may be.

Parker Sweeper Company disclaims any implied warranty, including the warranty of merchantability and the warranty of fitness for a particular purpose. Parker Sweeper Company assumes no responsibility for any special, incidental or consequential damages.

This limited warranty is applicable only in the U.S.A. and Canada, and is extended only to the original user/purchaser of this product. Customers outside the U.S.A. and Canada should contact their local distributor for export warranty policies. Parker Sweeper Company is not responsible for costs or repairs performed by persons other than those specifically authorized by Parker Sweeper Company. This warranty does not apply to damage from transportation, alterations by unauthorized persons, misuse or abuse of the equipment, use of non-compatible chemicals, or damage to property, or loss of income due to malfunctions of the product.

If a difficulty develops with this machine, you should contact the dealer from whom it was purchased.

This warranty gives you specific legal rights, and you may have other rights which vary from state to state. Some states do not allow the exclusion or limitation of special, incidental or consequential damages, or limitations on how long an implied warranty lasts, so the above exclusions and limitations may not apply to you.

# **Minuteman**<sup>®</sup>

# **Parker**<sup>®</sup>

**Parker Sweeper Company**  
*A Division of Minuteman International, Inc.*

111 South Rohlwing Road  
Addison, Illinois 60101  
Phone: (630) 627-6900  
Fax: (630) 627-1130