



Electronic Service Manuals

This electronic document is provided as a service to our customers. We do not create the contents of the information contained in this document. Should you have detailed questions pertaining to the information contained in this document, you may contact Michco, or the manufacturer which provided the original information in this electronic deliverable. Michco's only part in this electronic deliverable was the electronic assembly process.

You may contact Michco through the following methods:
Phone (517) 484-9312 or (800) 331-3339 MI, OH, IN only
2011 N. High St. -- Lansing, Michigan -- 48906
Fax: (517) 484-9836
Email: CustServ@Michco.com
Web site: www.Michco.Com
Parts Web site: www.FloorMachineParts.Com

Order Parts on Line at:
www.FloorMachineParts.Com

Directly to Parts & Service:
By Email: **Shop@Michco.com**
By Fax: (517) 702-2041
By Voice: Use numbers above.

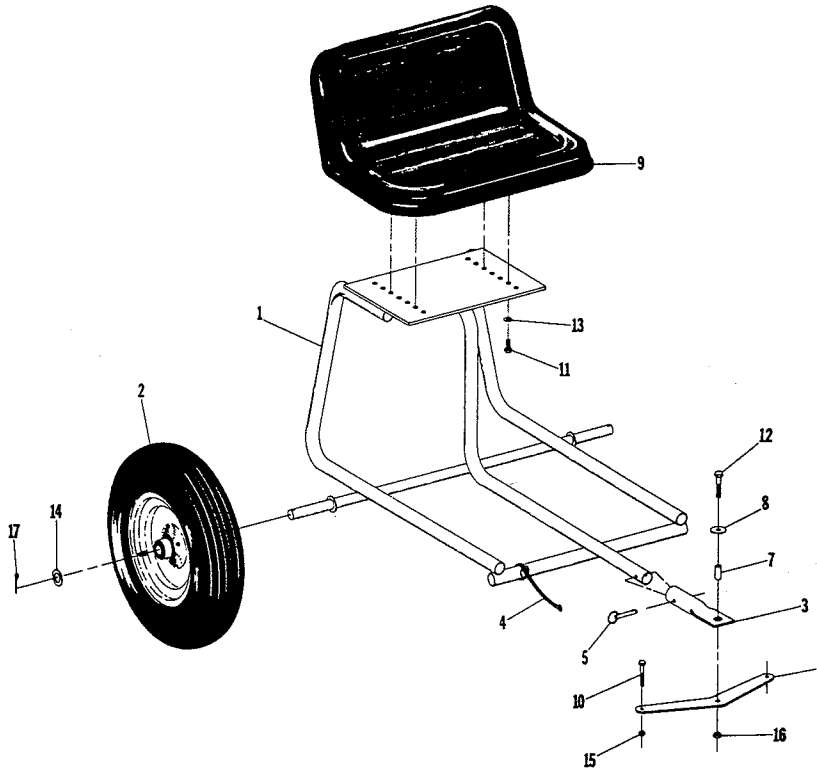
Serving the Cleaning Industry Since 1922

Notice: All copyrighted material remains property of original owners, all trademarks are property of respective owners. Manuals are subject to Manufacturer's reproduction limitations. Originals or reproductions were provided by manufacturers through a request. We make no warranty as to the correctness of information provided in this document and you assume all risk.



SULKY

**Part No.
MA-684-D**



PARTS LIST

Item	Part No.	Qty.	Description
1	90-22	1	Frame Weldment
2	90-24	2	Wheel
3	90-14	1	Clevis Lug
5	90-04	1	Faspin
6	90-19	1	Hitch Adapter
7	80-238-A	1	Insert
8	76-36-A	1	Washer, Special
9	90-20	1	Seat
10	713006	2	Bolt, Hex Hd. 1/4-20 x 1 3/4

Item	Part No.	Qty.	Description
Items listed below are available through a local Hardware, Lumber and Auto supply store. Grade 5 is recommended.			
11	713026	4	Bolt, Hex Hd. 5/16-18 x 3/4
12	713030	1	Bolt, Hex Hd. 5/16-18 x 1 3/4
13	711545	4	Lockwasher, Spring 5/16
14	945-1216	2	Flatwasher, Plain 3/4
15	711373	2	Nut, Hex Lock 1/4-20
16	711374	2	Nut, Hex Lock 5/16-18
17	380-432-20	2	Cotter Pin 1/8 x 1 1/4



Parker Sweeper Company

A Division of Minuteman International, Inc.

111 South Rohlwing Road

Addison, Illinois 60101

Phone: (708) 627-6900

Fax: (708) 627-1130

4/95

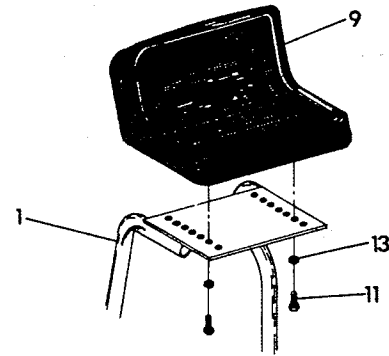
Printed in U.S.A.

000691

ASSEMBLY INSTRUCTIONS

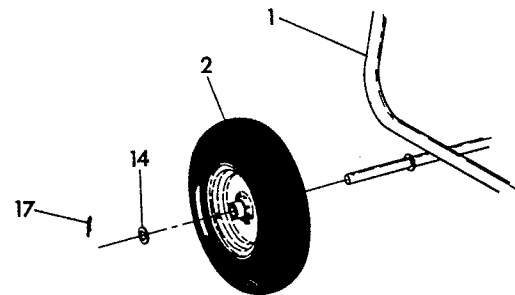
ASSEMBLING SEAT

1. Remove the four Hex Hd. Bolts (11) and Lockwashers (13) from bottom of Seat (9).
2. Align holes in Seat (9) with the first and fourth holes in Seat Plate of Frame Weldment (1).
3. Reassemble Hex Hd. Bolts (11) and Lockwashers (13)



ASSEMBLING WHEELS

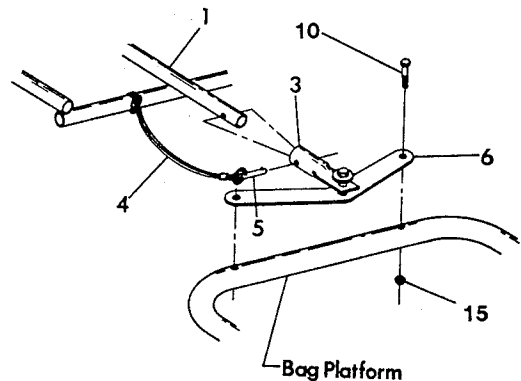
1. Remove Cotter Pin (17) and Flatwasher (14) from either side of axle.
2. Lifting Frame Weldment (1), assemble Wheel (2) onto the axle until resting against stop welded to axle.
3. Reassemble Flatwasher (14) and Cotter Pin (17).
4. Repeat for opposite side.



NOTE: Cotter Pins (17) only need spread enough to keep them from vibrating loose during operation.

ATTACHING HITCH ASSEMBLY TO BAG PLATFORM

1. Remove the two Hex Nuts, Lockwasher and Contour Hd. Bolts from the rear holes in Bag Platform and Caster Plates.
2. Remove two Hex Lock Nuts (15) and Hex Hd. Bolts (10) from ends of Hitch Adapter (6).
3. Place Hitch Adapter (6) to the top of Bag Platform with Middle point, V, toward front of power unit.
4. Align holes in Hitch Adapter with those in Bag Platform and secure with Hex Hd. Bolts (10) and Hex Lock Nuts (15).



Do not dispose of original hardware from Step 1.

ATTACHING SULKY TO HITCH ASSEMBLY

1. Insert end of center tube of Frame Weldment (1) into Clevis Lug (3).
2. Align holes and secure with Faspin (5).

NOTE: Faspin (5) and Tongue Ring Assembly (4) come preassembled to Frame Weldment, and should remain to prevent loss.

OPERATING SAFETY AND MAINTENANCE

The seat is adjustable to four different positions on frame weldment and "V" shaped hitch adapter can be turned toward sulky if additional distance between sulky and power unit is desired.

NOTE: Before operating unit, be sure power unit can be turned with both hands remaining on handles and controls.

CAUTION! To help prevent jackknifing, care should be taken when backing. Align units as straight to position as possible, when backing. Reduce Throttle before re-engaging clutch after shifting to reverse.

DO NOT! Permit children to operate this equipment.

DO NOT! Leave equipment unattended.

DO NOT! Ride with extra weight or another person on sulky.

DO NOT! Make sharp turns without reducing throttle.

DO NOT! Lean too far back in seat, this may cause bag platform to lift, raising sulky and causing loss of control.

DO AVOID! Steep slopes, rough terrain and obstacles that may cause sulky to tip or loss of control.

Fresh grease should periodically be added to fittings in hub of wheels to assure proper lubrication.