



Electronic Service Manuals

This electronic document is provided as a service to our customers. We do not create the contents of the information contained in this document. Should you have detailed questions pertaining to the information contained in this document, you may contact Michco, or the manufacturer which provided the original information in this electronic deliverable. Michco's only part in this electronic deliverable was the electronic assembly process. By providing this manual on line we are not guaranteeing parts availability.

You may contact Michco through the following methods:

Phone (517) 484-9312 or (800) 331-3339

2011 N. High St. -- Lansing, Michigan -- 48906

Fax: (517) 484-9836

Email: CustServe@Michco.com

Web site: www.Michco.Com

Parts Web site: www.FloorMachineParts.Com

Order Parts on Line at:

www.FloorMachineParts.Com

Directly to Parts & Service:

By Email: **Shop@Michco.com**

By Fax: (517) 702-2041

By Voice: Use numbers above.

Serving the Cleaning Industry Since 1922

Notice: All copyrighted material remains property of original owners, all trademarks are property of respective owners. Manuals are subject to Manufacturer's reproduction limitations. Originals or reproductions were provided by manufacturers through a request. We make no warranty as to the correctness of information provided in this document and you assume all risk. By placing these manuals on line we are not declaring our corporation to be an manufacturer authorized dealer or provider, please check our web site for authorized manufacturers we represent.

**Wet/Dry
Pump Out
Vacuum**

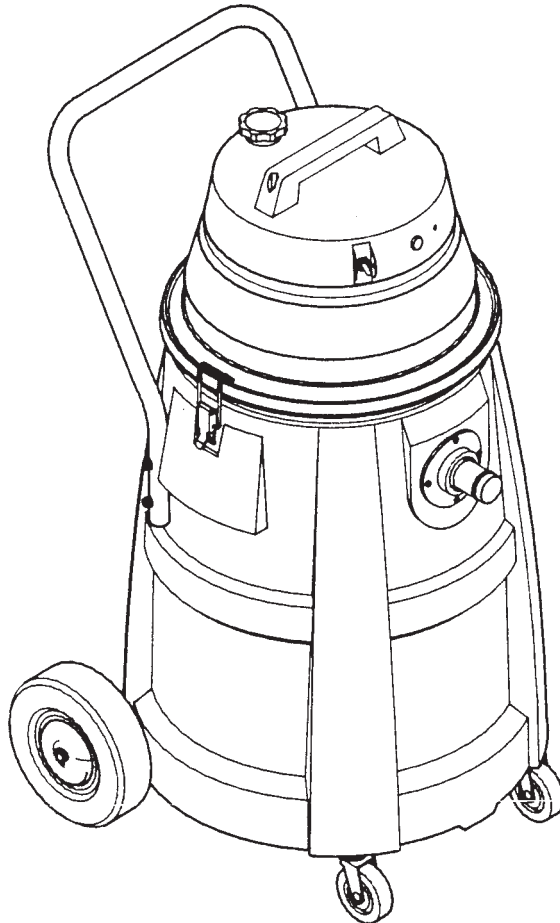
**Model: C39175-05
C39175-06
C39175-15
C39175-20
Optional Squeegee
Assembly: 470400**

OPERATION

SERVICE

PARTS

CARE



FOR COMMERCIAL USE ONLY

IMPORTANT SAFETY INSTRUCTIONS

When using an electrical appliance, basic precautions should always be followed, including the following:

READ ALL INSTRUCTIONS BEFORE USING

WARNING - To reduce the risk of fire, electric shock, or injury:

- Do not leave appliance when plugged in. Unplug from outlet when not in use and before servicing.

WARNING

To reduce the risk of electric shock - Do not expose to rain. Store indoors.

- Do not allow to be used as a toy. Close attention is necessary when used by or near children.
- Use only as described in this manual. Use only manufacturer's recommended attachments.
- Do not use with damaged cord or plug. If appliance is not working as it should, has been dropped, damaged, left outdoors, or dropped into water, return it to a service center.
- Do not pull or carry by cord, use cord as a handle, close a door on cord, or pull cord around sharp edges or corners. Do not run appliance over cord. Keep cord away from heated surfaces.
- Do not unplug by pulling on cord. To unplug, grasp the plug, not the cord.
- Do not handle plug or appliance with wet hands.
- Do not put any object into openings. Do not use with any opening blocked; keep free of dust, lint, hair, and anything that may reduce air flow.
- Keep hair, loose clothing, fingers, and all parts of body away from openings and moving parts.
- Do not pick up anything that is burning or smoking, such as cigarettes, matches, or hot ashes.
- Do not use without dustbag and/or filters in place.
- Turn off all controls before unplugging.
- Use extra care when cleaning on stairs.
- Do not use to pick up flammable or combustible liquids such as gasoline or use in areas where they may be present.
- Connect to a properly grounded outlet only. See grounding instructions.

SAVE THESE INSTRUCTIONS

INSPECTION

Carefully unpack and inspect your machine for shipping damage. Each unit is tested and thoroughly inspected before shipment, and any damage is the responsibility of the delivery carrier who should be notified immediately.

ELECTRICAL - Model C39175-05, 06 115V

This machine is designed to operate on a standard 15 amp. 115 volt, 60 hz, AC circuit. Voltages below 105 volts AC or above 125 volts AC could cause serious damage to the motor.

ELECTRICAL - Model C39175-15, 20 230V

This machine is designed to operate on a standard 16 amp. type L fused 230 volt, 50 hz, AC circuit. Voltages below 200 volts AC or above 250 volts AC could cause serious damage to the motor.

WARNING

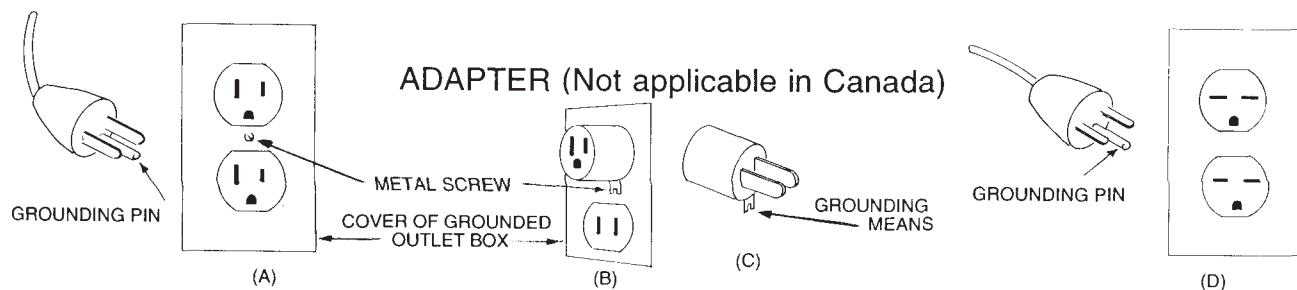
To reduce the risk of electric shock - Do not expose to rain. Store indoors.

GROUNDING INSTRUCTIONS

This appliance must be grounded. If it should malfunction or breakdown, grounding provides a path of least resistance for electric current to reduce the risk of electric shock. This appliance is equipped with a cord having an equipment-grounding conductor and grounding plug. The plug must be plugged into an appropriate outlet that is properly installed and grounded in accordance with all local codes and ordinances.

DANGER - Improper connection of the equipment-grounding conductor can result in a risk of electric shock. Check with a qualified electrician or service person if you are in doubt as to whether the outlet is properly grounded. Do not modify the plug provided with the appliance -- if it will not fit the outlet, have a proper outlet installed by a qualified electrician.

This appliance is for use on a nominal 120-volt circuit and has a grounding plug that looks like the plug illustrated in sketch A below. Make sure that the appliance is connected to an outlet having the same configuration as the plug. No adapter should be used with this appliance.



USER MAINTENANCE INSTRUCTIONS

All service and repair should be performed by a qualified vacuum service representative or electrician. No user serviceable components are employed in the electrical vacuum lid head assembly. No lubrication of the motor is required.

CORD STORAGE

While not in use storage can be accomplished by winding cord around motor lid assy. Cord should be completely unwound from Lid Assy. during operation.



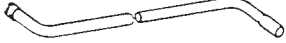

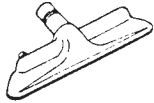



Do not use with damaged cord or plug. If appliance is not working as it should, has been dropped, damaged, left outdoors, or dropped into water, return to service center.

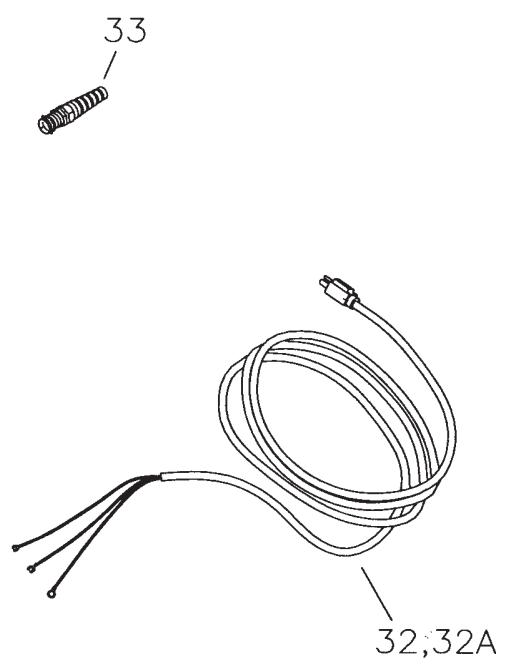
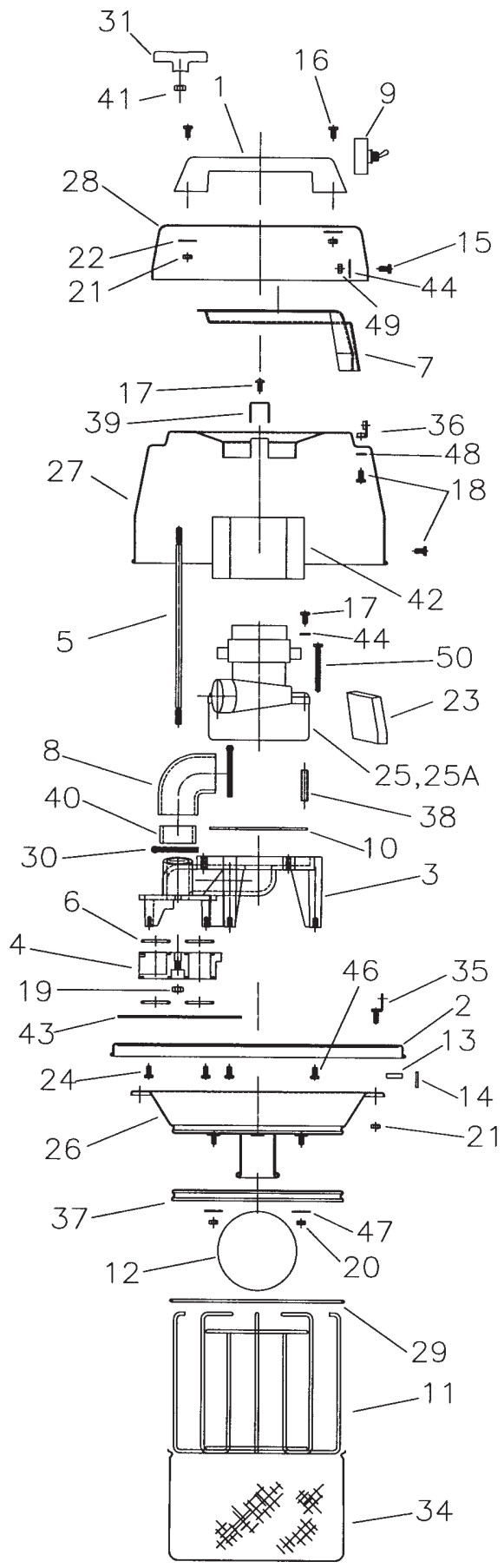
Do not pull or carry by cord, use cord as handle, close a door on cord, or pull cord around sharp edges or corners. Do not run appliance over cord. Keep cord away from heated surfaces.

Do not unplug by pulling cord. To unplug, grasp the plug, not the cord.

Do not handle plug or appliance with wet hands.

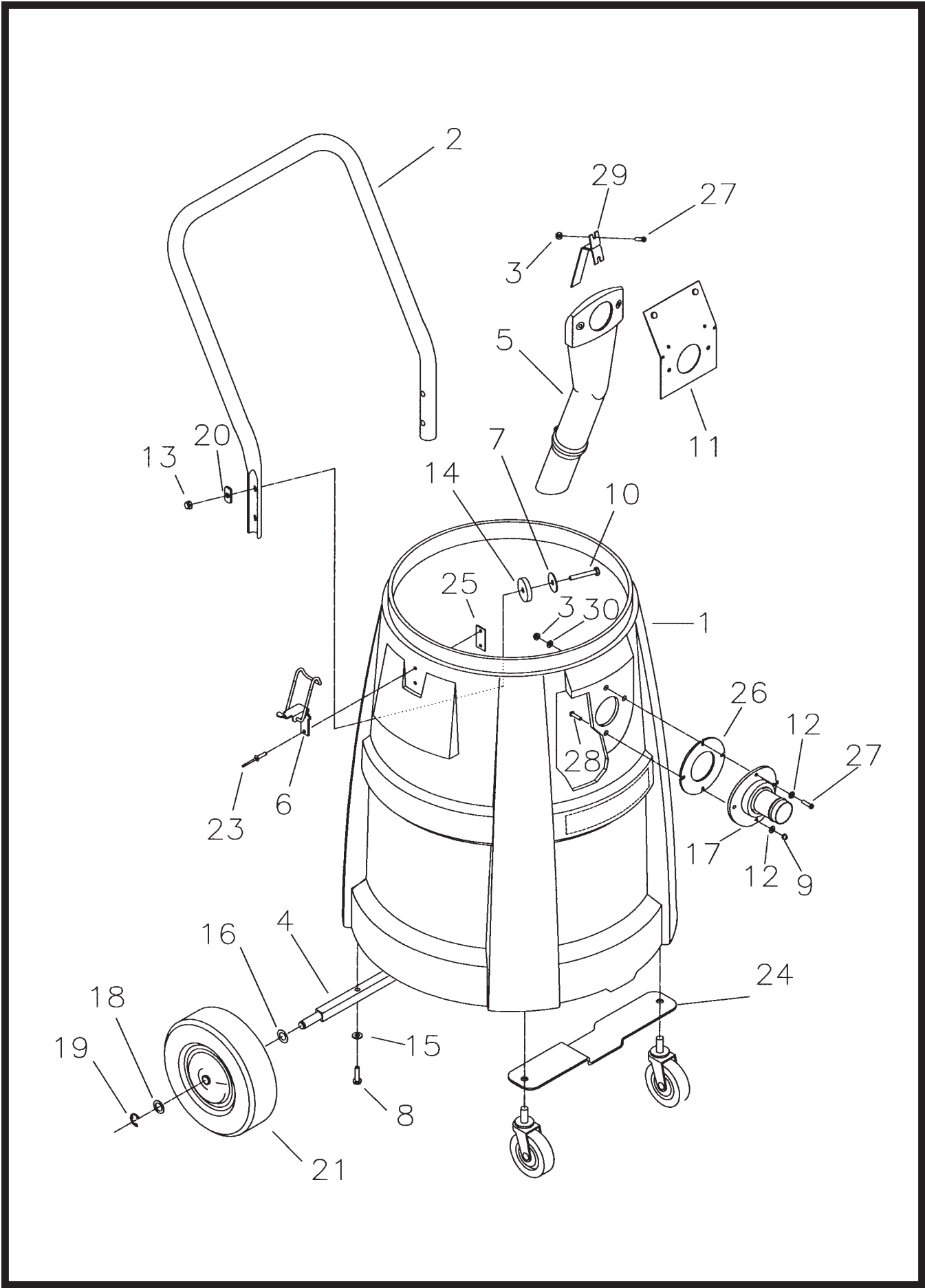
Always unplug the machine when removing the head off the tank. This equipment should be stored indoors and not exposed to rain.

A		800083 133249 800084	3" Rd Dust Brush Complete Dust Brush HSG 3" Bristle Insert 3"
B		800035	12" Crev Tool Complete
C		290000	Wand Asy 1-1/2, Complete
D		832851	Hose Asy 1-1/2 x 10'
E		807237 807214 807374	16" Floor Tool, Complete Nozzle Floor Brush Replacement
F		800603 800612 808648	14" Brush Tool Complete Brush Insert Tool
G		800124 731	5" Tool Only Without Insert Bristle Insert Replacement
H		800605 711128 800615 808648 500295 500296	14" Squeegee, Complete SCR #10 HILO 14" Retaining Strip Nozzle, Squeegee Blade Squeegee Blade Squeegee Reinforcement



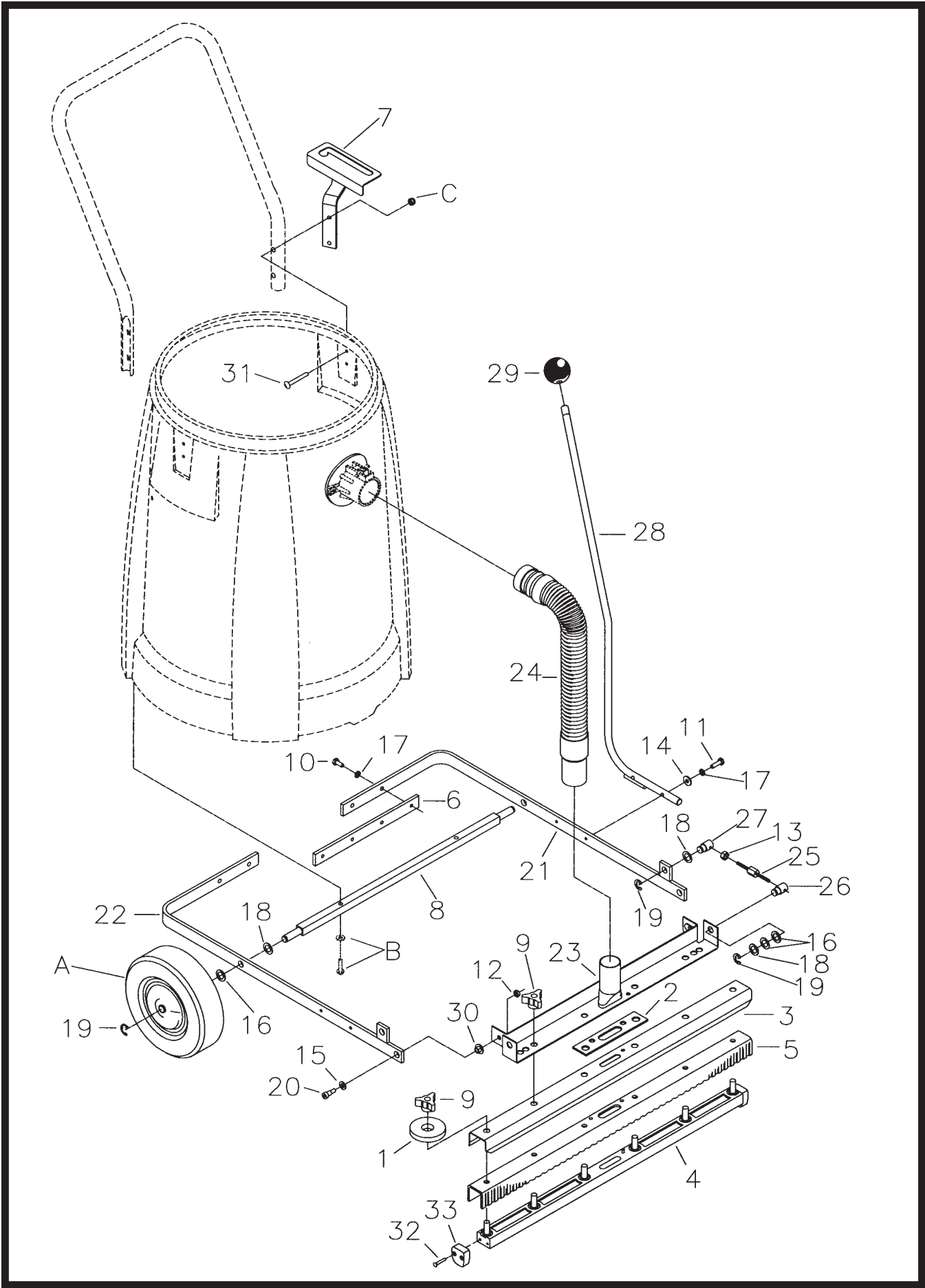
Parts Listings

ITEM NO.	PART NO.	QUANTITY	DESCRIPTION
1	460000	1	Handle Lid
2	310001PTD	1	Lid Assembly
3	310004MCH	1	Valve Body
4	310006MCH	1	Valve Port
5	310007PLT	1	Valve Handle Rod
6	310008	4	O-Ring Buna
7	310009	1	Cooling Duct
8	310017	1	Hose
9	380002	1	Switch, Toggle
10	380035	1	Gasket
11	380045CTD	1	Cage Float Assembly
12	380046	1	Ball
13	480052	1	Gasket, Rubber
14	480053	1	Ring, Rubber Locating
15	710154	3	SCR-MC 10-32x.37 ST PL
16	711203	2	BLT-HH 1/4-20 x .62
17	711124	3	SCR-ST-B 10 x .37
18	710177	3	BLT-HH 1/4-20 x 2.50
19	711379	1	Nut-Flanged Wizz 5/16-18
20	712667	4	Nut-Hex 1/4-20 SS Nyloc
21	711425	7	Nut-Flanged Wizz 1/4-20
22	711519	2	WSR-Flat .25 x 1.01 x .06
23	760235	1	Air Seal Foam
24	712536	4	SCR-THMS 10-24 x .62 SS
25	740232	1	Vacuum Motor 115V
25A	740429	1	Vacuum Motor 240V
26	750801	1	Water Shut-Off Adapter
27	310002PTD	1	Motor Cover Pumper
28	310003PTD	1	Motor Cooling Top Cover
29	760260	1	Spring
30	760859	2	Clamp, Hose
31	310034	1	Knob, Adj.
32	381020	1	Cord, Gry Ste 16-3 50'
32A	740600	1	Cord HO5 50'
33	833237	1	Strain Relief w/Nut
34	760234	1	Filter Bag
35	832106	6	Mounting Tab
36	830782	3	Mounting Bracket Lid
37	760231MCH	1	Ring, Bag Retaining
38	809858	3	Spacer
39	310031	2	Bracket Housing
40	101015	1	Ring, Rubber
41	711391	1	Nut 3/8-16
42	380064	1	Ring, Foam
43	310033	1	Washer Plate 12 SS
44	711553	3	Washer-Internal Lock #10
45	715086	1	Decal, Warning to Avoid
46	712565	2	SCR-MC 1/4-20x.62 SS
47	712761	4	Washer-Flat
48	711554	3	Washer-Internal Lock
49	711310	2	Nut-Hex 10-32 ST PL
50	711220	3	BLT-HH 1/4-20x2.50 ST PL
***	310240	1	Lid Asy Comp Pumper 240V
***	310115	1	Lid Asy Comp Pumper



Parts Listings

Item No.	Part No.	Qty.	Description
1	310021	1	Tank 20 Gal., Poly
1A	310026	1	Tank 15 Gal., Poly
2	390031	1	Handle
3	712638	2	Nut Hex 10/24 SS
4	390033	1	Axle
5	310016	1	Downtube Asy 20G Pumper
5A	310028	1	Downtube Asy 15G Pumper
6	390035	6	Latch 390 Series
7	712761	4	Flat Washer
8	710182	2	SCR-MC 1/4-20 x 1.00 STPL
9	712904	1	Acorn Nut
10	712541	4	SCR 1/4-20 x 1.00 SS
11	310012	1	Rubber Flap
12	712320	4	Nylon Washer
13	711352	4	Acorn Nut
14	828980	4	Gasket
15	711505	2	Flat Washer
16	711524	2	Wave Washer
17	310010	1	Intake Asy.
18	711594	2	Flat Washer
19	711713	2	Retaining E-Ring
20	711444PLT	4	Weldnut
21	900008	2	8" Dia. Wheel
22	804457	2	3" Caster
23	828893	24	Pop Rivet
24	310035	1	Backing Plate 11G
25	833831	6	Clamp Back Plate
26	390087	1	Gasket Diecut
27	712532	3	SCR-MC 10-24 x 1.00 SS
28	712824	1	SCR-THMS 10-24 x .75 STPL
29	310018	1	Deflector Bracket
30	712764	1	Flat Washer
***	310015	1	Tank Asy 15GRC MMAN Pumper
***	310020	1	Tank Asy 15GRC MMAN Pumper



Parts Listings

Item No.	Part No.	Qty.	Description	Item No.	Part No.	Qty.	Description
1	430085	2	Squeegee Bumper Wheel	17	711544	6	WSR-Helical 1/4
2	430073	1	Gasket	18	711594	6	WSR-Flat
3	430078	1	U-Profile	19	711713	6	Retaining Ring - E
4	430079	1	Band (Squeegee Bar)	20	712041	2	BLT-Sder 1/4-20 x .44 x .37
5	11-145	1	Squeegee Blade	21	750137	1	Bkt Arm Squeegee Asy Left
6	470001	1	Rear Brace	22	750138	1	Bkt Arm Squeegee Asy Rt
7	470005	1	Lever Lock Asy	23	750139	1	Squeegee Mtg Bkt Assy
8	470007	1	Axle Squeegee Asy	24	762382	1	Vac Hose Asy
9	430074	6	Adjusting Knob	25	750689	2	Stud Adjusting
10	711203	4	BLT-HH 1/4-20x.62	26	762256PLT	2	Nut, Adj LH
11	711206	2	BLT-HH 1/4-20x.87 STPL	27	762257PLT	2	Nut, Adj RH
12	711377	2	Nut-Lock 1/4-20	28	807384	1	Rod Handle
13	711420	2	Nut-Hex Jam 5/16-18 STPL	29	807385	1	Knob Handle
14	711505	2	WSR-Flat 1/4	30	829052	2	Flanged Bushing
15	711506	2	WSR-Flat 5/16 STPL	31	710389	2	SCR-MC 1/4-20x2.00 ST PL
16	711524	6	WSR-Wave	32	712517	4	SCR-MC 8/32
				33	430076	2	Squeegee End Cap

INSTALLATION INSTRUCTIONS 470400 SQUEEGEE ASSEMBLY

1. Turn existing tank upside down and remove both wheels (A) by removing snap ring 19 from existing axle.
2. Remove screws (B) from existing axle and remove old axle.
3. Reinstall wheels onto new axle assembly with new E clip provided.
4. Install new axle - squeegee assembly to bottom of tank using existing screws "B" and tighten securely.
5. Turn tank assembly right side up and remove washers and nuts (c) from handle assembly. Mount item 7 over existing bolts. Use lockwasher and nut to tighten item 7 securely in place.
6. Slide item 28 through item 7 and mount lift arm to item 21 with bolts supplied.

ADJUSTMENTS

1. Angle of squeegee assembly can be adjusted if needed, by loosening nut 13 and turning item 25. Both sides may need adjusting so that squeegee blade is parallel to floor in down position.
2. 15 Gallon Units Only.

Vac hose assembly, item 24 should be shortened by 4" to remove excess length.

LIMITED WARRANTY

Minuteman International, Inc. warrants to the original purchaser/user that this product is free from defects in workmanship and materials under normal use and service for a period of three years from date of purchase. In addition, Minuteman International, Inc. will, at its option, honor labor warranty claims for the first 12 months from date of sale, provided such claims are submitted through and approved by factory authorized repair stations. Minuteman International, Inc. will, at its option, repair or replace without charge, except for transportation costs, parts that fail under normal use and service when operated and maintained in accordance with the applicable operation and instruction manuals.

This warranty does not apply to normal wear, or to items whose life is dependent on their use and care, such as belts, cords, switches, hoses, rubber parts, electrical motor components or adjustments. Parts not manufactured by Minuteman International, Inc. such as engines, batteries, battery chargers, hydraulic pumps, and tires are covered by and subject to the warranties and/or guarantees of their manufacturers. Please contact Minuteman International, Inc. for procedures in warranty claims against these manufacturers.

Special warning to purchaser — Use of replacement filters and/or prefilters not manufactured by Minuteman International, Inc. or its designated licensees, will void all warranties expressed or implied.

A potential health hazard exists without exact original equipment replacement.

All warranted items become the sole property of Minuteman International, Inc. or its original manufacturer, whichever the case may be.

Minuteman International, Inc. disclaims any implied warranty, including the warranty of merchantability and the warranty of fitness for a particular purpose. Minuteman International, Inc. assumes no responsibility for any special, incidental or consequential damages.

This limited warranty is applicable only in the U.S.A. and Canada, and is extended only to the original user/purchaser of this product. Customers outside the U.S.A. and Canada should contact their local distributor for export warranty policies. Minuteman International, Inc. is not responsible for costs or repairs performed by persons other than those specifically authorized by Minuteman International, Inc. This warranty does not apply to damage from transportation, alterations by unauthorized persons, misuse or abuse of the equipment, use of non-compatible chemicals, or damage to property, or loss of income due to malfunctions of the product.

If a difficulty develops with this machine, you should contact the dealer from whom it was purchased.

This warranty gives you specific legal rights, and you may have other rights which vary from state to state. Some states do not allow the exclusion or limitation of special, incidental or consequential damages, or limitations on how long an implied warranty lasts, so the above exclusions and limitations may not apply to you.

Minuteman[®]

World Headquarters
Minuteman International, Inc.
111 South Rohlwing Road
Addison, Illinois 60101

(630) 627-6900
FAX (630) 627-1130

Minuteman Canada, Inc.
2210 Drew Road
Mississauga, Ontario
L5S 1B1

(905) 673-3222
FAX (905) 673-5161

987575
Printed in U.S.A.