



Electronic Service Manuals

This electronic document is provided as a service to our customers. We do not create the contents of the information contained in this document. Should you have detailed questions pertaining to the information contained in this document, you may contact Michco, or the manufacturer which provided the original information in this electronic deliverable. Michco's only part in this electronic deliverable was the electronic assembly process.

You may contact Michco through the following methods:
Phone (517) 484-9312 or (800) 331-3339 MI, OH, IN only
2011 N. High St. -- Lansing, Michigan -- 48906
Fax: (517) 484-9836
Email: CustServ@Michco.com
Web site: www.Michco.Com
Parts Web site: www.FloorMachineParts.Com

Order Parts on Line at:
www.FloorMachineParts.Com

Directly to Parts & Service:
By Email: **Shop@Michco.com**
By Fax: (517) 702-2041
By Voice: Use numbers above.

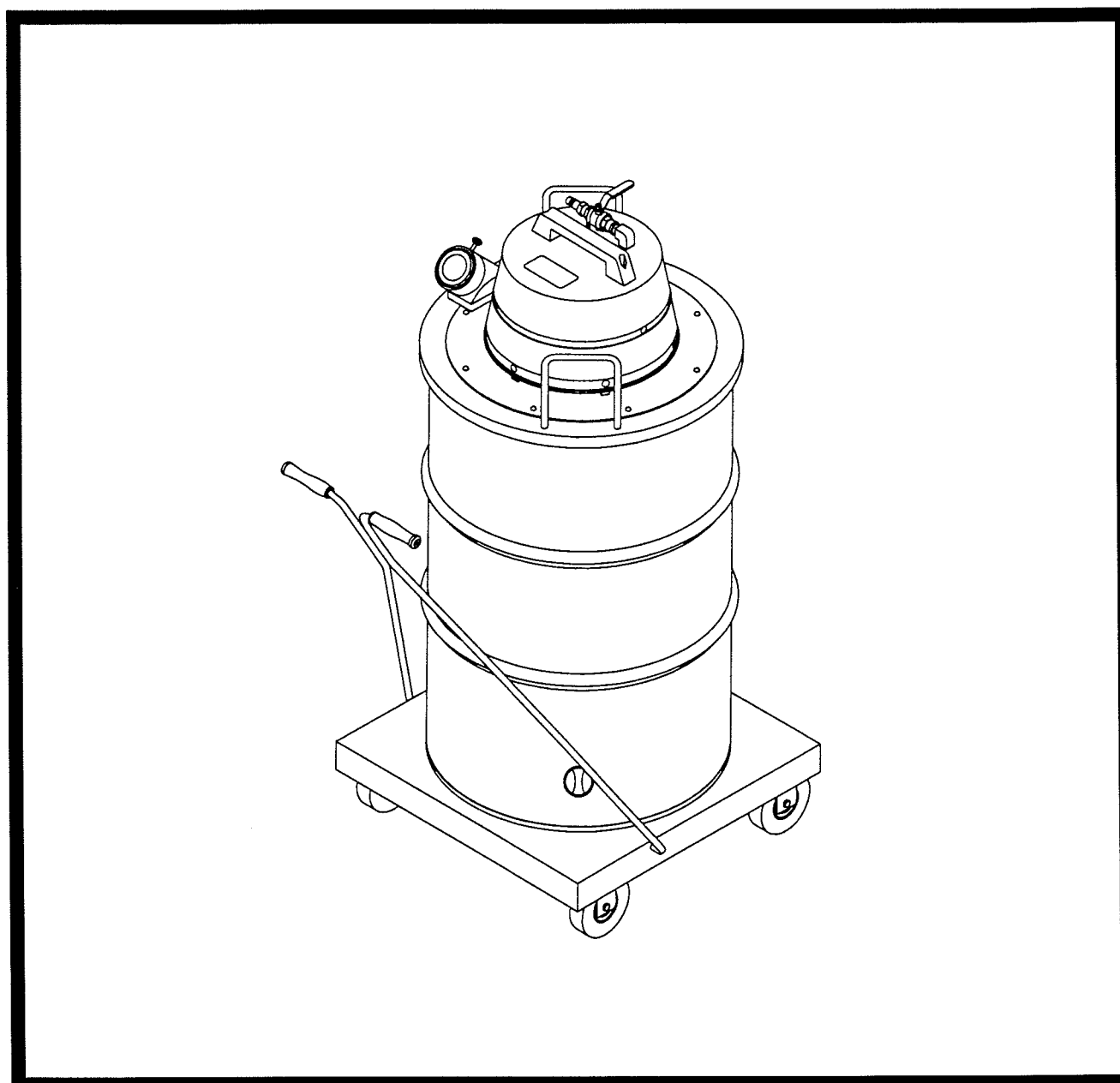
Serving the Cleaning Industry Since 1922

Notice: All copyrighted material remains property of original owners, all trademarks are property of respective owners. Manuals are subject to Manufacturer's reproduction limitations. Originals or reproductions were provided by manufacturers through a request. We make no warranty as to the correctness of information provided in this document and you assume all risk.

**705 Series
Industrial Air
Operated Vacuum**

**Model No: C70555-55
C70555-56**

■ OPERATION ■ SERVICE ■ PARTS ■ CARE



Revised 5/96

Minuteman[®]

MODEL 705 SINGLE VENTURI AIR OPERATED WET/DRY VACUUM

OPERATING INSTRUCTIONS

INSPECTION

Carefully unpack and inspect your machine for shipping damage. Each unit is tested and thoroughly inspected before shipment, therefore, any damage is the responsibility of the delivering carrier who should be notified. Read all instructions carefully before operating.

SPECIAL WARNING

Air operated equipment can generate static electricity during use. Static dissipating arcing can be generated and occur if equipment and accessories are not grounded. Risk of explosion is possible if operated near explosive materials or vapors. Do not operate this equipment near flammable materials such as solvents, thinners, fuels, grain dust, etc.

AIR PRESSURE AND C.F.M. VOLUME REQUIRED

For maximum performance, operate with requirements listed below:

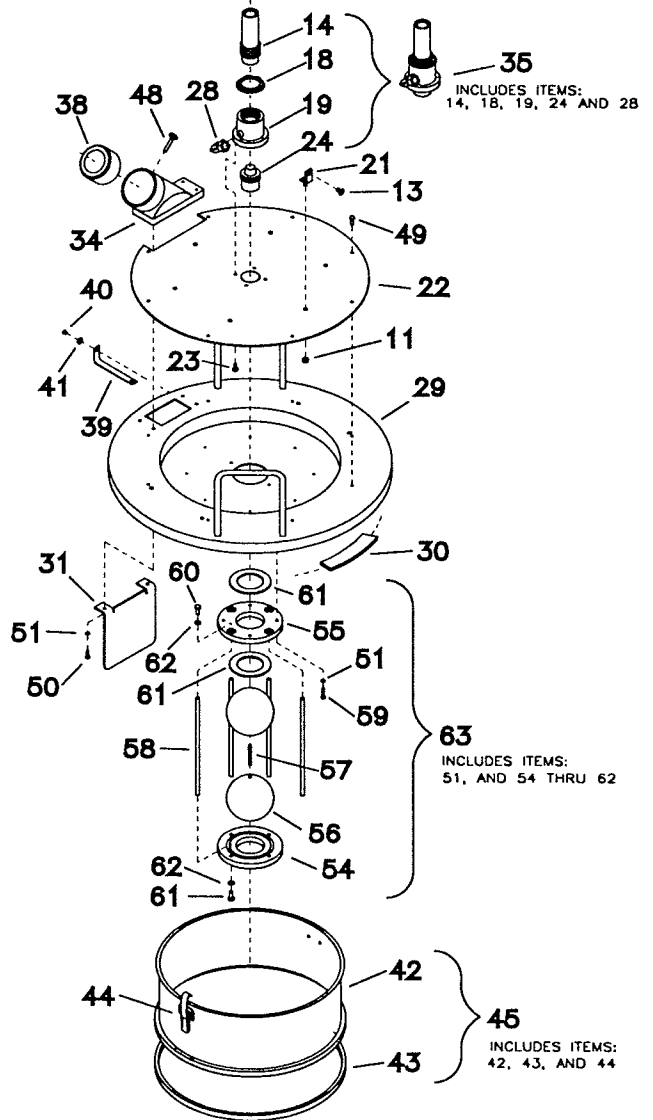
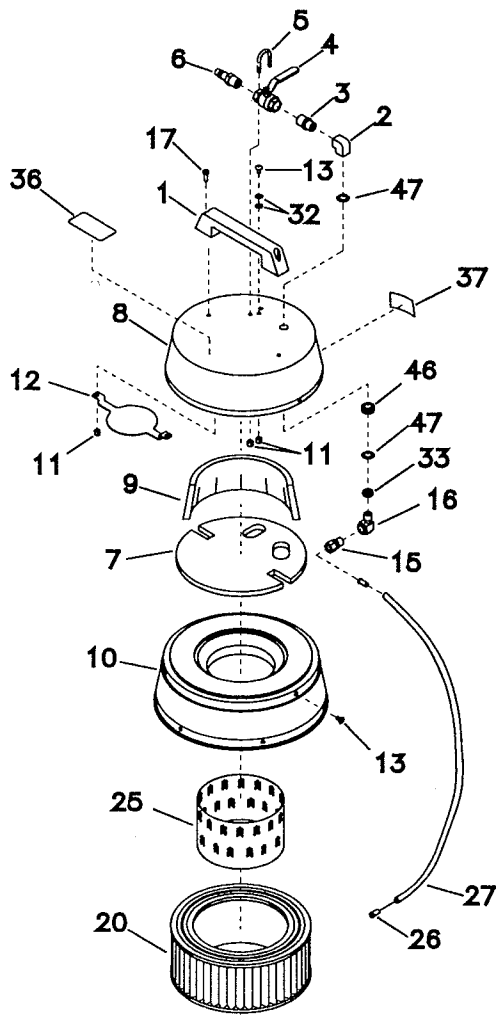
<u>Model</u>	<u>Air Supply Line</u>	<u>Maximum Pressure</u>	<u>C.F.M.</u>
705 Single Venturi	1/2"	100	46

Air pressure control valve can be regulated to operate with lower pressure and C.F.M. when maximum is not required. OPTIONAL: Air pressure regulator can be attached at air valve for positive air pressure and C.F.M. control.

ASSEMBLY PROCEDURE FOR MODEL 705 WET/DRY VACUUM

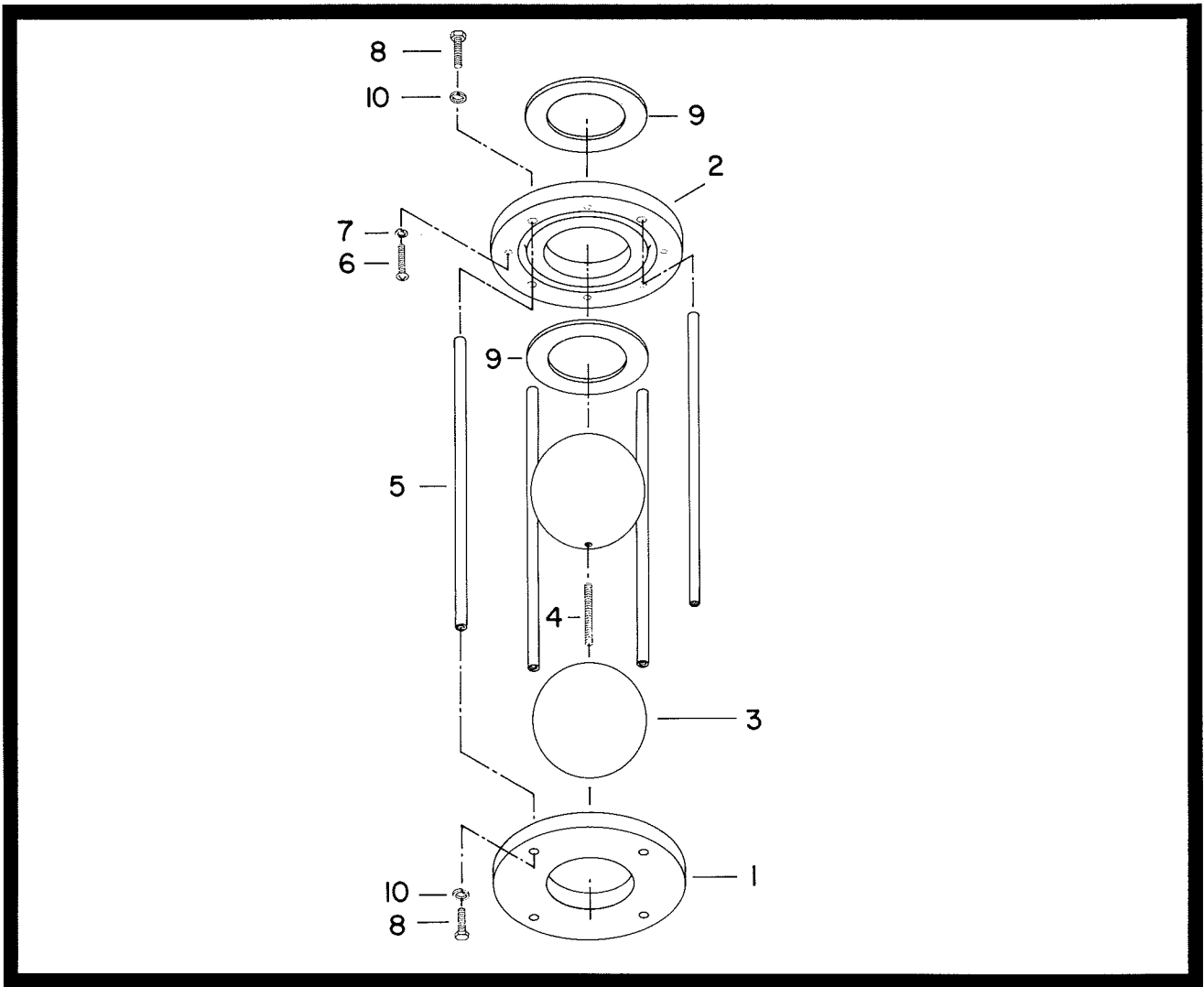
1. For wet recovery, attach float assembly #515003, page 4, to underside of vacuum lid with #710359 screw and washer #711543 provided.
2. For dry recovery, attach filter bag assembly #805047, page 5, to underside of vacuum lid. Float assembly already attached does not have to be removed. To attach filter, refer to page 8 for assembly.

Always remove the filter bag assembly when vacuum is used for wet recovery.



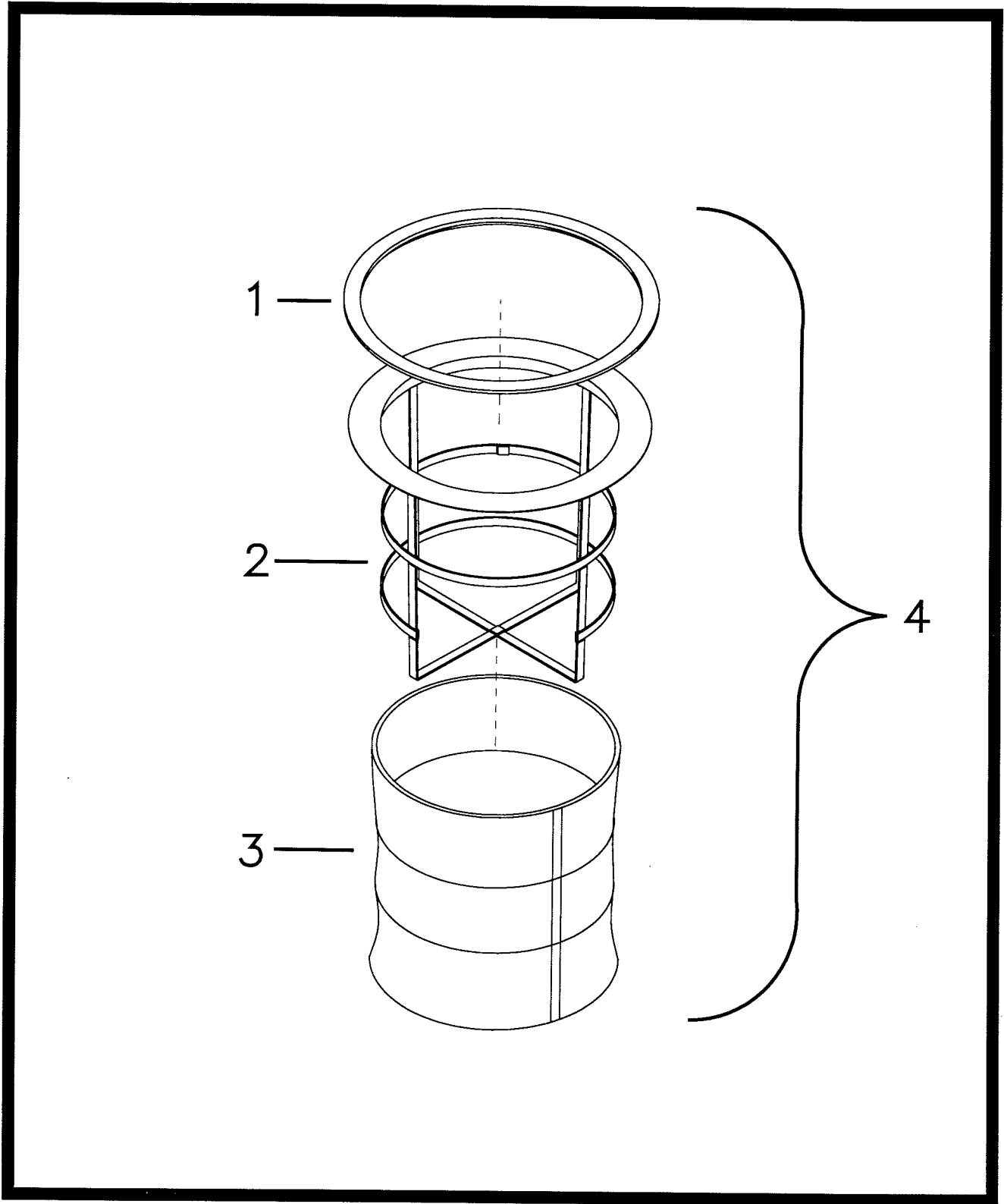
PARTS LIST

Item No	Part No	Qty	Description	Item No	Part No	Qty	Description
1	460000	1	Handle	33	829285PLT	1	Spacer - Zinc Plated
2	700028	1	3/8 x 3/8 Brass Elbow	34	760008PTD	1	Intake Painted
3	420017	1	Hex Nipple Reducer	35	700010	1	Venturi Assembly
4	701009	1	.50 Valve	36	715003	1	Decal, Air Pressure
5	712105	1	U-Bolt	37	715029	1	Decal, Serial Nameplate
6	701010	1	.50 Coupler	38	900056	1	Adapter Intake
7	700018	1	Dome Felt	39	701204	1	Braided Ground Strap
8	700022PTD	1	Top Cover	40	710352	1	SCR-MC 10-32 x .25
9	700016	1	Felt Liner	41	711503	2	WSR-Flat #10
10	700023PTD	1	Filter Cover	42	760033	1	Splash Shield - No Hardware
11	712667	15	1/4-20 SS Nyloc Nut	43	760165	1	Edging
12	700019	1	Air Deflector	44	761054	2	Latch
13	710178	10	1/4-20 x .50 SCR-MC STPL	45	750326	1	Splash Shield - Complete
14	700012	1	Venturi Exhaust Tube	46	260274	1	Grommet
15	420008	1	Male Connector	47	711513	2	WSR-Flat .69 x 1.06 x .029 SS
16	830062	1	3/8 x 3/8 Brass ST90	48	712016	1	SCR-Thumb 1/4-20 x 1.25
17	711204	2	BLT HH 1/4-20 x .75 STPL	49	711109	8	SCR-ST-B 12 x .50
18	700014	1	Locking Nut	50	710255	4	SCR-MC 10-32 x .62
19	700011	1	Venturi Housing	51	711543	5	WSR-Helical #10
20	700026	1	Exhaust Filter	52	710331	8	SCR-MC 8-32 x .75
21	832106	6	Bracket Mounting Tab	53	711542	8	WSR-Helical #8
22	700051	1	Base Lid Cover	54	701041	1	Plate, Water Shut-off
23	712534	4	SCR-MC 10-24 x .50 SS	55	701042	1	Plate, Water Shut-off
24	700013	1	Venturi Intake	56	701016	2	Ball, Float 4" Dia
25	700017	1	Perforated Shield	57	701013	1	Stud 1/4-20 x 2
26	420011	2	Brass Insert	58	701012	4	Rod, Spacer
27	700021	1	Poly Hose 32" Long	59	710359	2	SCR-MC 10-32 x .87
28	420009	1	Male Elbow 469F	60	711203	8	BLT-HH 1/4-20 x .62
29	252003	1	Lid Weldment w/ Handles	61	701015	2	Gasket, 2.25 x 3.50 x .12
30	806006MCH	1	Lid Gasket	62	711544	8	WSR-Helical 1/4
31	760159	1	Splash Guard	63	515003	1	Float Assembly - Complete
32	711505	2	WSR-Flat 1/4				

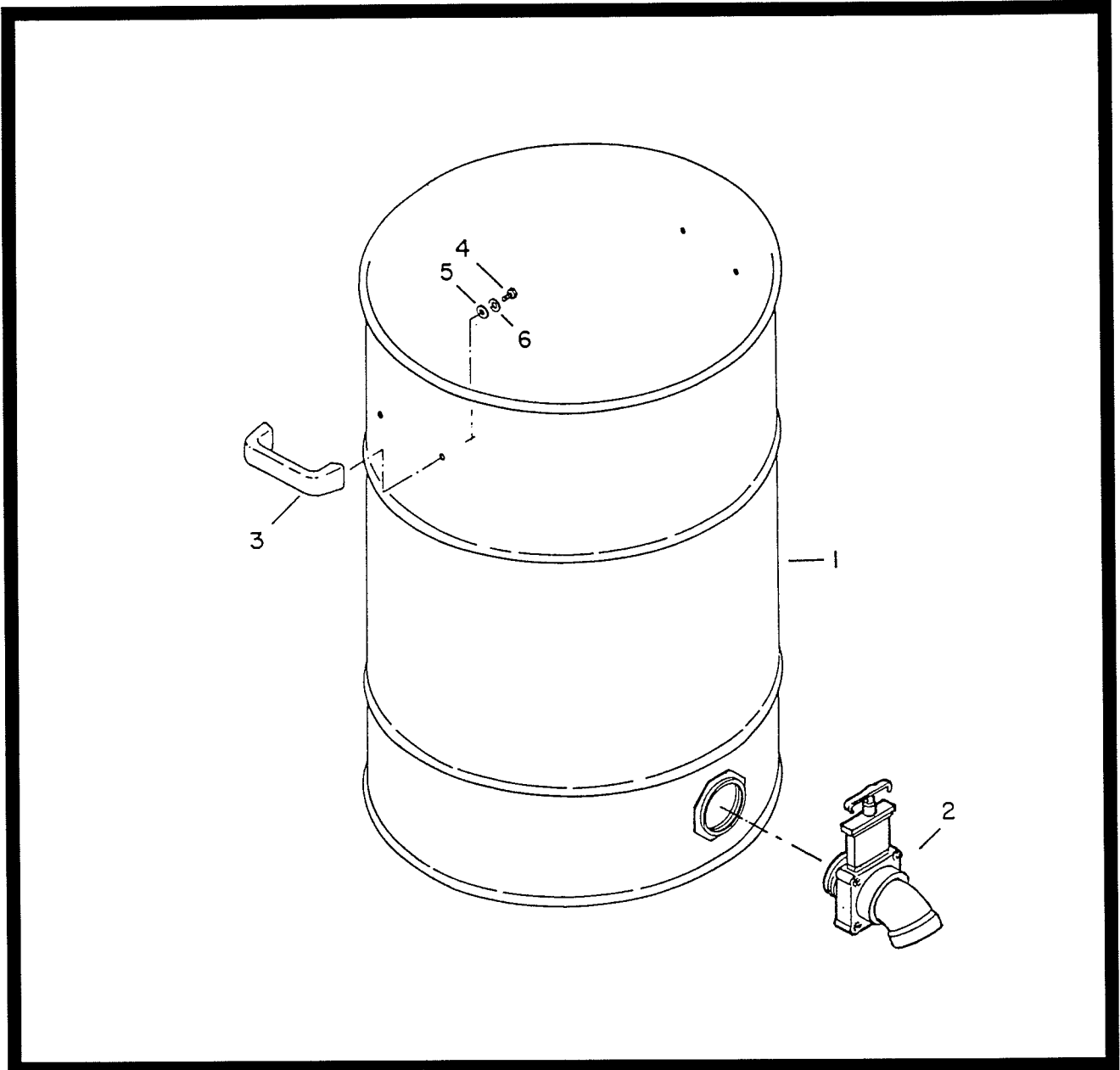


Parts Listing

ITEM NO.	PART NO.	QUANTITY	DESCRIPTION
1	701041	1	Plate, end cap water shut
2	701042	1	Plate, end cap water shut
3	701016	2	Ball, float 4 dia.
4	701013	1	Stud
5	701012	4	Rod, spacer
6	710359	2	SCR-MC 10-32 x .87 SS
7	711543	2	WSR, Helical SPR LOC #10
8	711203	8	BLT, HH 1/4-20 x .62
9	701015	2	Gasket, 2.25 x 3.50 x .12
10	711544	8	WSR, Helical SPR LOC 1/4
****	515003		Float assy., complete

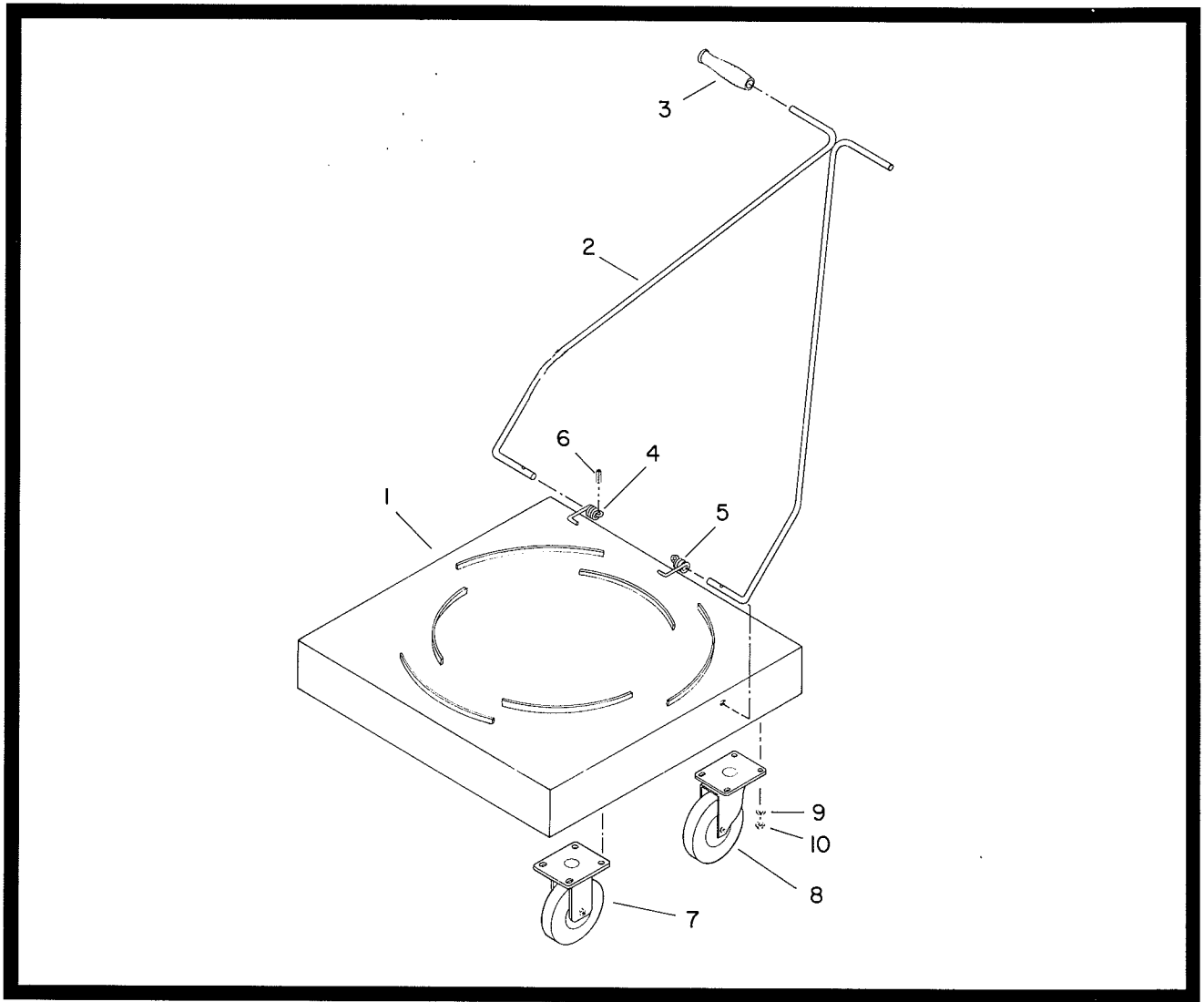


ITEM NO.	PART NO.	QUANTITY	DESCRIPTION
1	805018	1	Molded bag ring
2	500041PTD	1	Bag frame
3	805036	1	Cloth bag only
4	805057	1	Bag assy., complete



Parts Listing

ITEM NO.	PART NO.	QUANTITY	DESCRIPTION
1	900078PTD	1	Tank 30 Gal. PTD Less Handles
1a	900015PTD	1	Tank 55 Gal. PTD No Handles
2	900047	1	Dump Valve
3	900031POL	2	Handle, Tank Polished
4	711203	4	BLT, HH 1/4-20 x .62
5	711591	4	Washer, Rubber
6	711505	4	WSR, Flat 1/4
***	C90007-80		Tank 30 Gal. Complete
***	805037PKG		Drum Liner 30 Gal., Pkg. 12
***	805046PKG		Drum Liner 55 Gal., Pkg. 12



Parts Listing

ITEM NO.	PART NO.	QUANTITY	DESCRIPTION
1	750045	1	Weldment dolly 30/55
2	900051	1	Weldment, handle
3	900052	2	Grip, handle
4	900080	1	Spring, torsion RH
5	900081	1	Spring LH
6	711642	2	Rollpin
7	761050	2	Caster, rigid 5"
8	761049	2	Caster, swivel 5"
9	711545	16	WSR, helical spr loc 5/16
10	711319	16	Nut-Hex 5/6-18 ST PL
****	900048		Dolly cart complete

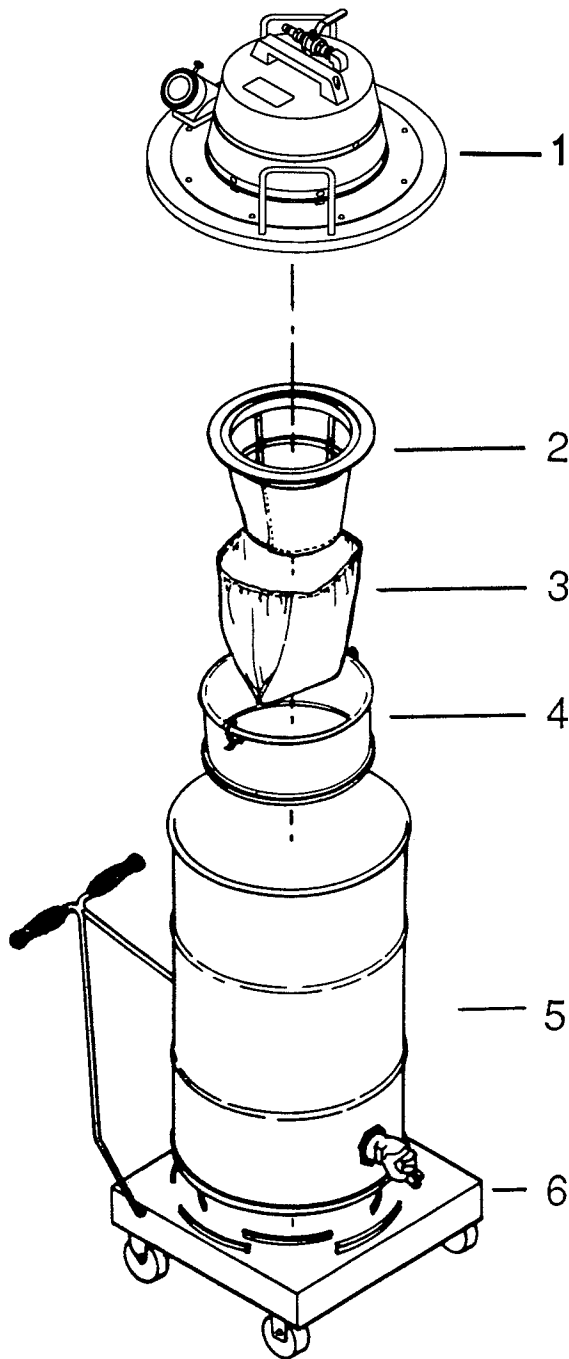


FIG. 1

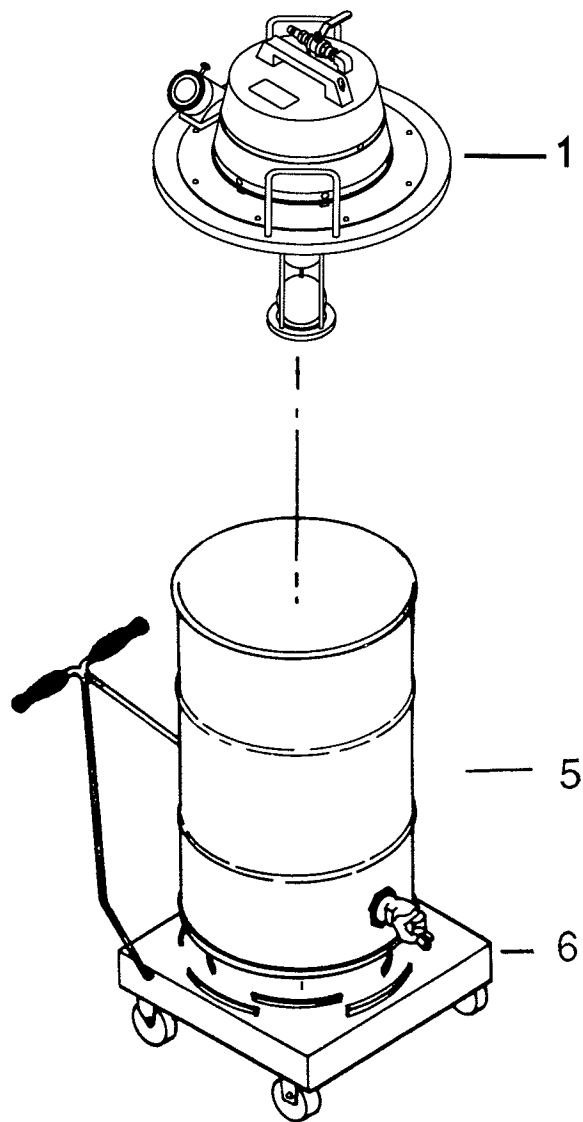

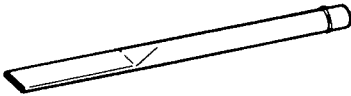

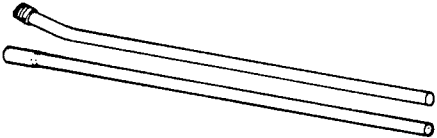
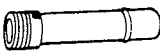


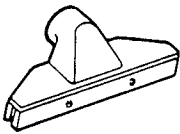
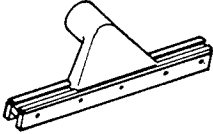
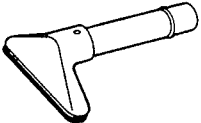
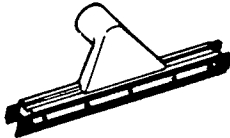


FIG. 2

OPTIONAL INDUSTRIAL TOOLS AND ACCESSORIES

A		<p>800024 3" Rd Dust Brush Complete 800022 5" Rd Dust Brush Complete 800023 Bristle Insert 5" 800175MCH Dust Brush HSG 5" 800176MCH Dust Brush HSG 3" 800025 Bristle Insert 3"</p>
B		<p>800034 24" Crev Tool Aluminum, Complete</p>
C		<p>800015 Wand Assy. 1-1/2, Complete</p>
D		<p>800017 Set Tube, High-up 10' 800064 5' Tube Lower Section 800019 5' Section Upper</p>
E		<p>800116 Swivel, Hose End Exp, Complete</p>
F		<p>801010 Hose Assy. 1-1/2 x 10'</p>
G		<p>800032 6" Curved Pipe Tool, Complete 711006 Set Screw 800033 Bristle Insert Curved 6" 800193POL 6" Curved Pipe Tool</p>
H		<p>800072 12" Gulper Tool, Complete 710356 SCR-MC 10-32 x .65 710357 SCR-MC 10-32 x .75 800187PTD Gulper Nozzle 800217 Fibre Shoe Rear 800218 Fibre Shoe Front</p>
I		<p>800108 14" Fibre Tool Complete 710530 Screw 8/32 x 1/2 Brass 800003MCH Fibre Shod 800178PTD Tool Casting</p>
J		<p>800038 6" Tool w/Handle Tube, Complete 800029 Bristle Insert Replacement</p>
K		<p>800109 14" Squeegee, Complete 710330 SCR-SC 8-32 x .62 800121 14" Retaining Strip 800178PTD Casting, Tool MCH 800239 Blade Squeegee Wide 800240 Blade Squeegee Narrow</p>

LIMITED WARRANTY

Minuteman International, Inc. warrants to the original purchaser/user that this product is free from defects in workmanship and materials under normal use and service for a period of three years from date of purchase. In addition, Minuteman International, Inc. will, at its option, honor labor warranty claims for the first 12 months from date of sale, provided such claims are submitted through and approved by factory authorized repair stations. Minuteman International, Inc. will, at its option, repair or replace without charge, except for transportation costs, parts that fail under normal use and service when operated and maintained in accordance with the applicable operation and instruction manuals.

This warranty does not apply to normal wear, or to items whose life is dependent on their use and care, such as belts, cords, switches, hoses, rubber parts, electrical motor components or adjustments. Parts not manufactured by Minuteman International, Inc. such as engines, batteries, battery chargers, hydraulic pumps, and tires are covered by and subject to the warranties and/or guarantees of their manufacturers. Please contact Minuteman International, Inc. for procedures in warranty claims against these manufacturers.

Special warning to purchaser -- Use of replacement filters and/or prefilters not manufactured by Minuteman International, Inc. or its designated licensees, will void all warranties expressed or implied.

A potential health hazard exists without exact original equipment replacement.

All warranted items become the sole property of Minuteman International, Inc. or its original manufacturer, whichever the case may be.

Minuteman International, Inc. disclaims any implied warranty, including the warranty of merchantability and the warranty of fitness for a particular purpose. Minuteman International, Inc. assumes no responsibility for any special, incidental or consequential damages.

This limited warranty is applicable only in the U.S.A. and Canada, and is extended only to the original user/purchaser of this product. Customers outside the U.S.A. and Canada should contact their local distributor for export warranty policies. Minuteman International, Inc. is not responsible for costs or repairs performed by persons other than those specifically authorized by Minuteman International, Inc. This warranty does not apply to damage from transportation, alterations by unauthorized persons, misuse or abuse of the equipment, use of non-compatible chemicals, or damage to property, or loss of income due to malfunctions of the product.

If a difficulty develops with this machine, you should contact the dealer from whom it was purchased.

This warranty gives you specific legal rights, and you may have other rights which vary from state to state. Some states do not allow the exclusion or limitation of special, incidental or consequential damages, or limitations on how long an implied warranty lasts, so the above exclusions and limitations may not apply to you.

Minuteman[®]

World Headquarters
Minuteman International, Inc.
111 South Rohlwing Road
Addison, Illinois 60101

(630) 627-6900
FAX (630) 627-1130

Minuteman Canada, Inc.
2210 Drew Road
Mississauga, Ontario
L5S 1B1

(905) 673-3222
FAX (905) 673-5161

987707
Printed in U.S.A.