



Electronic Service Manuals

This electronic document is provided as a service to our customers. We do not create the contents of the information contained in this document. Should you have detailed questions pertaining to the information contained in this document, you may contact Michco, or the manufacturer which provided the original information in this electronic deliverable. Michco's only part in this electronic deliverable was the electronic assembly process. By providing this manual on line we are not guaranteeing parts availability.

You may contact Michco through the following methods:

Phone (517) 484-9312 or (800) 331-3339

2011 N. High St. -- Lansing, Michigan -- 48906

Fax: (517) 484-9836

Email: CustServe@Michco.com

Web site: www.Michco.Com

Parts Web site: www.FloorMachineParts.Com

Order Parts on Line at:

www.FloorMachineParts.Com

Directly to Parts & Service:

By Email: **Shop@Michco.com**

By Fax: (517) 702-2041

By Voice: Use numbers above.

Serving the Cleaning Industry Since 1922

Notice: All copyrighted material remains property of original owners, all trademarks are property of respective owners. Manuals are subject to Manufacturer's reproduction limitations. Originals or reproductions were provided by manufacturers through a request. We make no warranty as to the correctness of information provided in this document and you assume all risk. By placing these manuals on line we are not declaring our corporation to be an manufacturer authorized dealer or provider, please check our web site for authorized manufacturers we represent.



Parts Manual
E RIDE 26 Riding Scrubber

Table of Contents

For Safety When Servicing or Maintaining Machine	1
Main Assembly	2
Main Assembly I	2
Main Assembly II	3
Main Assembly III	4
Main Assembly IV	5
Main Assembly V	6
Main Assembly BOM	7
Front Drive Assembly	8
Front Drive Assembly BOM	9
Front Drive Subassembly	10
Idler Subassembly	10
Bearing Subassembly	10
Linkage Assembly BOM	13
Steering Assembly	14
Steering Assembly BOM	17
Console Assembly	18
Solution Tank Assembly	19
Solution Tank Assembly I	19
Solution Tank Assembly II	20
Solution Tank Assembly BOM	21
Hose Assembly - Drain, Solution Tank, SCV 2426/B100R	22
Electrical Box Assembly	23
Electrical Box Assembly BOM	24
Electrical Panel Assembly	25
Control Panel Subassembly I	25
Control Panel Subassembly II	26
Solution Tank Assembly	27
Pump Subassembly	27
Pump Subassembly BOM	28
Recovery Tank Assembly	29
Recovery Tank Assembly I	29
Recovery Tank Assembly II	30
Recovery Tank Assembly III	31
Recovery Tank Assembly IV	32
Recovery Tank Assembly BOM	33
Dump Hose Assembly	34
Battery Panel Assembly	35
Left Hand Side	35
Right Hand Side	36
Right Hand Side-SC2426H BATTERY ATTACHMENT ASSY.	37

Table of Contents cont'd.

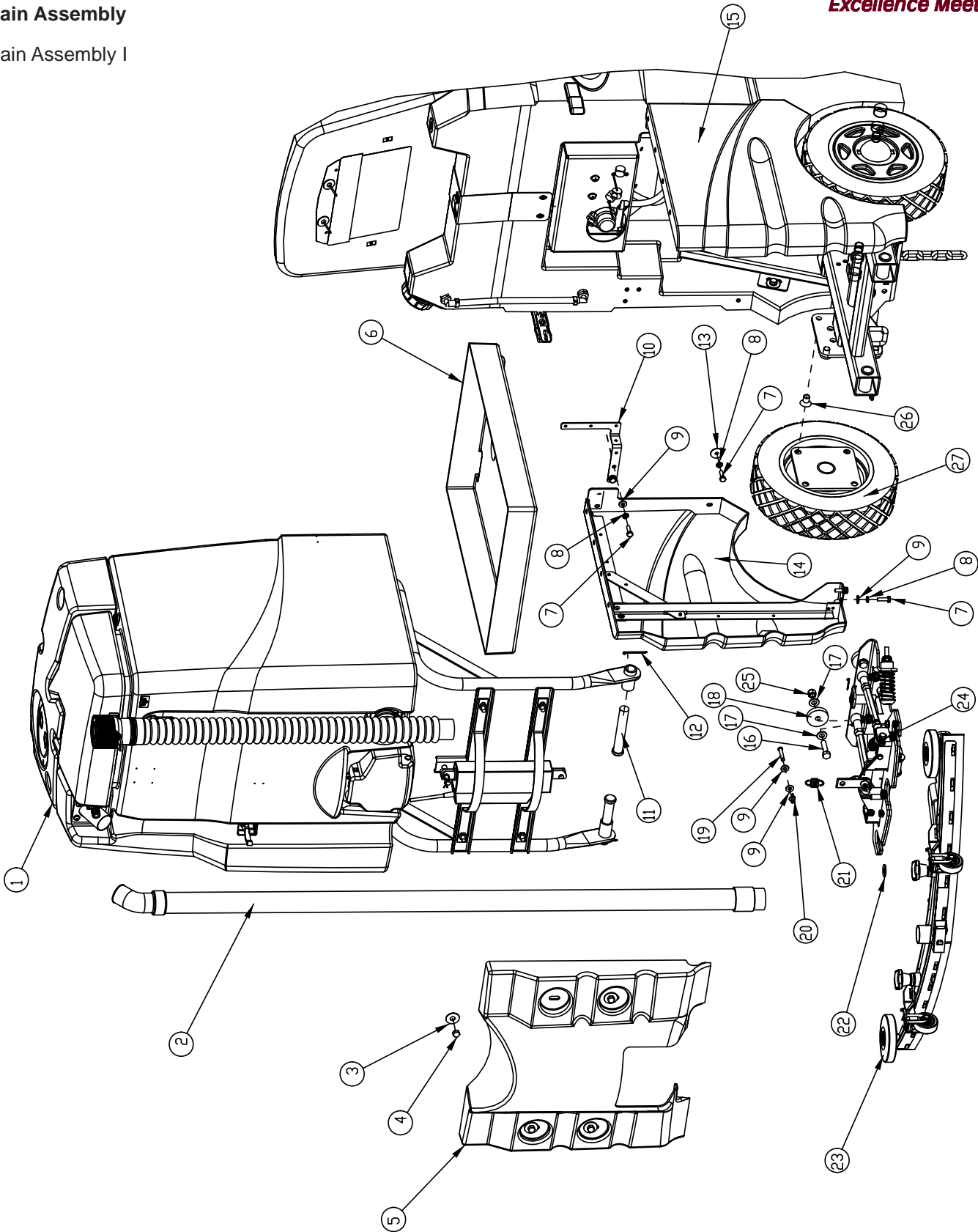
Dashboard Assembly	38
Seat Assembly	39
Horn Assembly	40
Cable Guide Assembly	41
Disc Scrubdeck Main Assembly	43
Disc Scrubdeck Subassemblies	44
Disc Scrubdeck Subassembly I	44
Disc Scrubdeck Subassembly II	45
Disc Scrubdeck BOM	46
Solution Feed Hose Subassembly	47
Side Squeegee Subassembly - Left Hand Side	48
Side Squeegee Subassembly - Right Hand Side	49
26" Cylindrical Deck W/O Side Squeegees	50
26" Cylindrical Deck W/O Side Squeegees BOM	52
Cylindrical Scrubdeck	53
Drive Hub Subassembly	53
Idler Subassembly I	53
Idler Subassembly II	54
Spray Bar Subassembly	54
Rear Squeegee Assembly	55
Rear Squeegee Assembly BOM	56
Switch Panel Assembly	57
Squeegee Mechanism Assembly	58
Squeegee Mechanism Assembly BOM	59
Plumbing Diagram	60
Electrical Diagrams	61
WARRANTY	66

For Safety When Servicing or Maintaining Machine

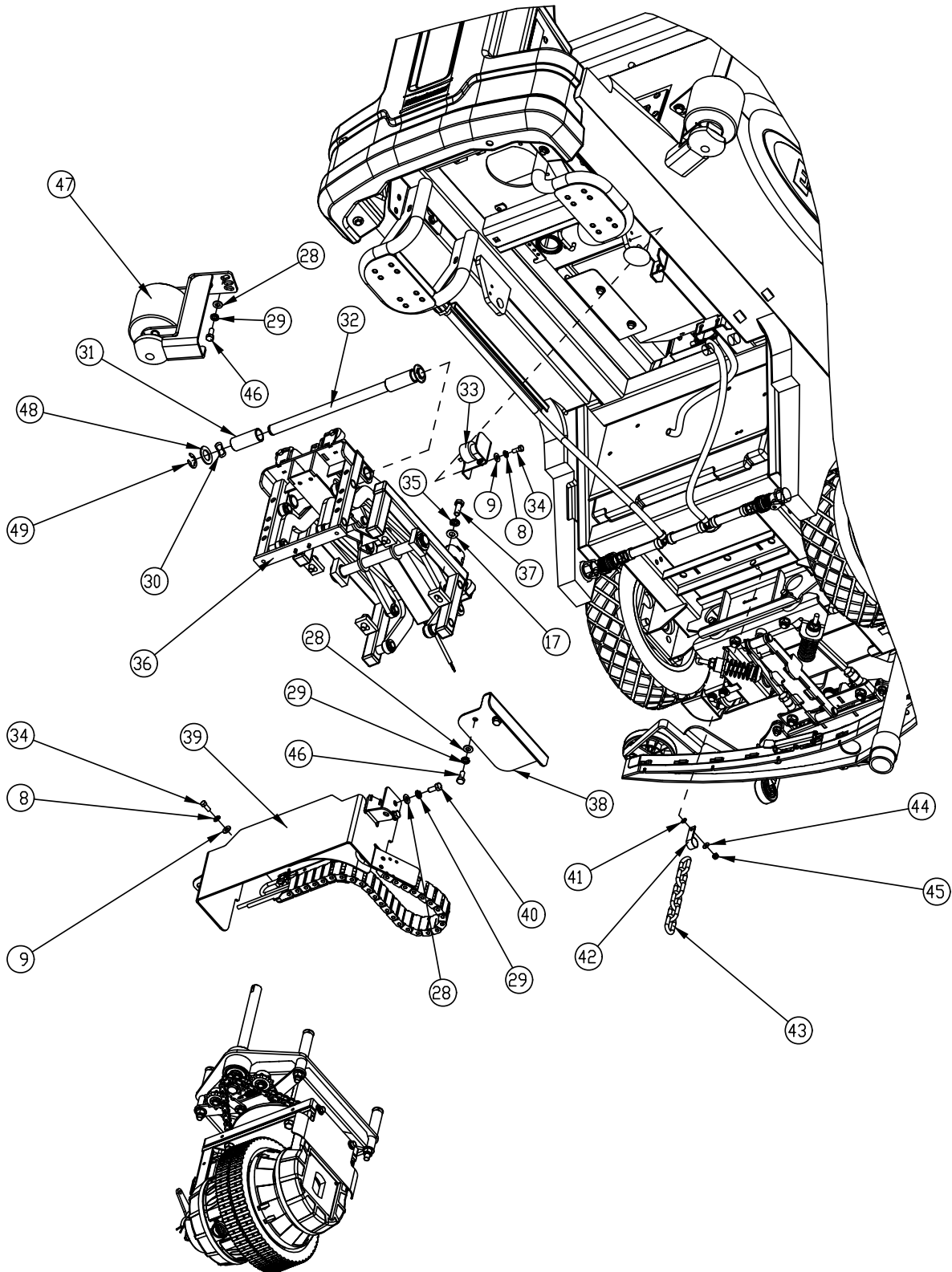
- Stop on level surface.
- Disconnect the power to the machine by pulling the red Battery Connector located under the recovery tank near the batteries.
- Avoid moving parts. Do not wear loose jackets, shirts, or sleeves when working on machine.
- Avoid contact with battery acid. Battery acid can cause burns. When working on or around batteries, wear protective clothing and safety glasses. Remove metal jewelry. Do not lay tools or metal objects on top of batteries.
- Do not clean machine with a pressure washer.
- Authorized personnel must perform repairs and maintenance. Use Minuteman supplied replacement parts.

Main Assembly

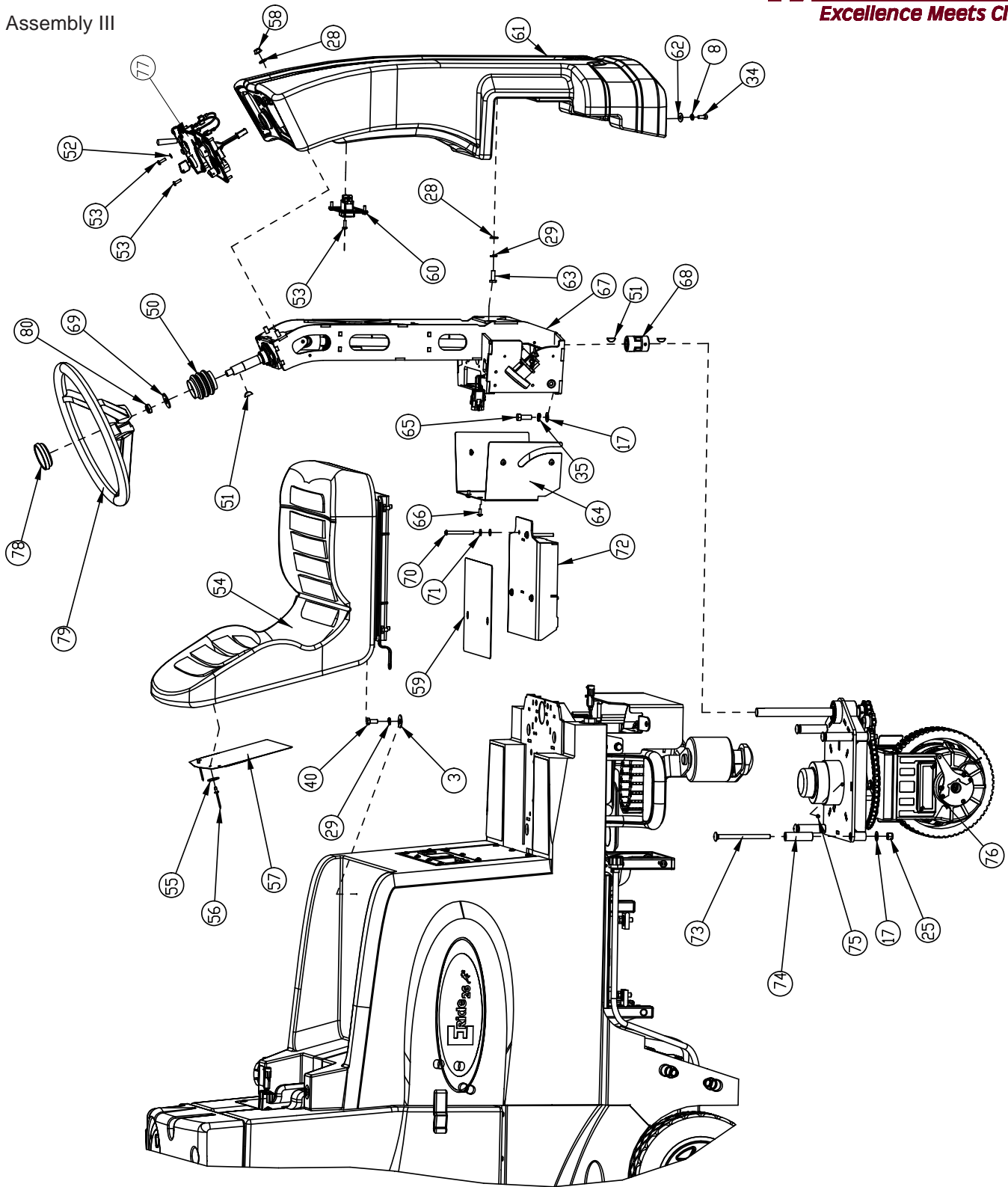
Main Assembly I



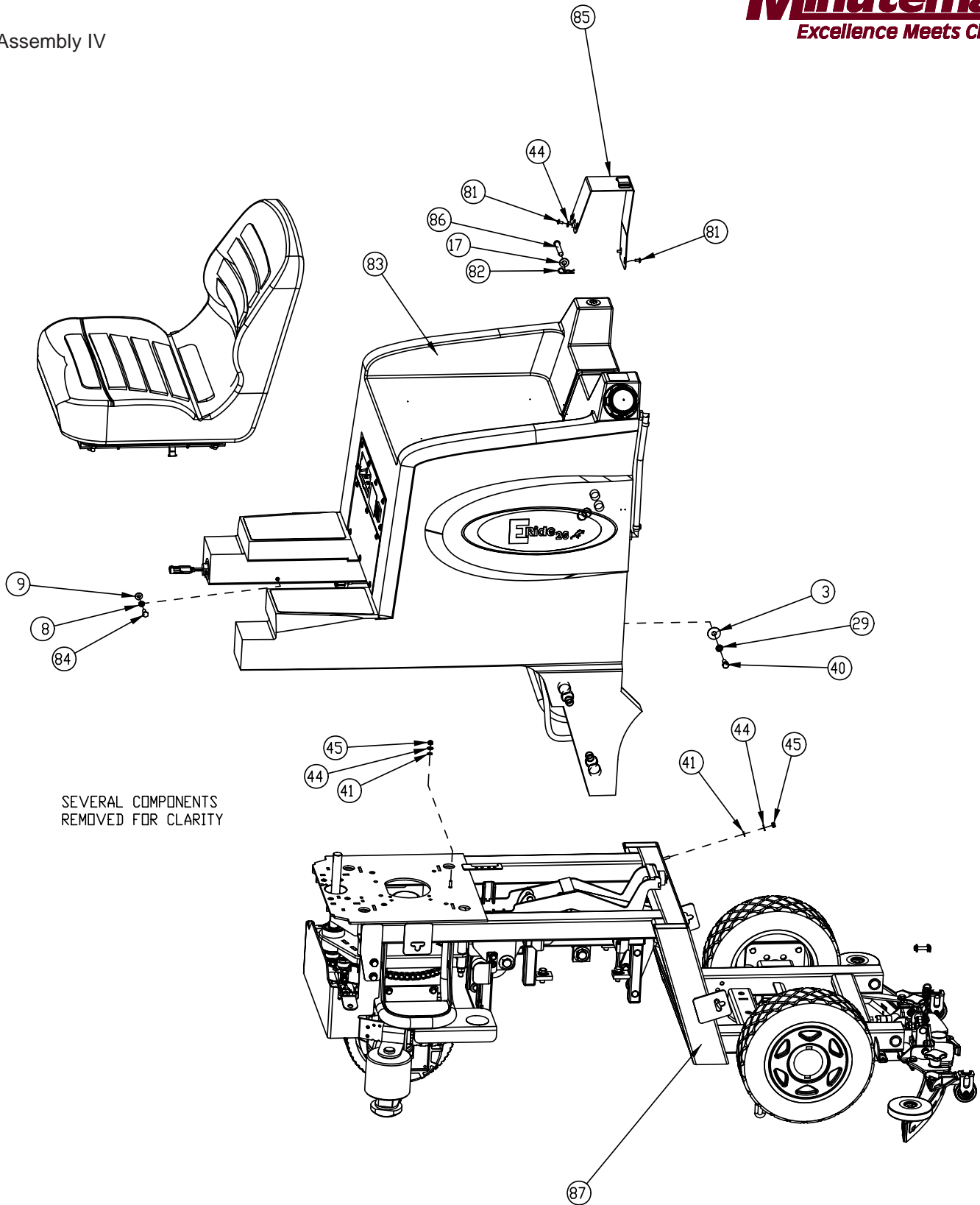
Main Assembly II

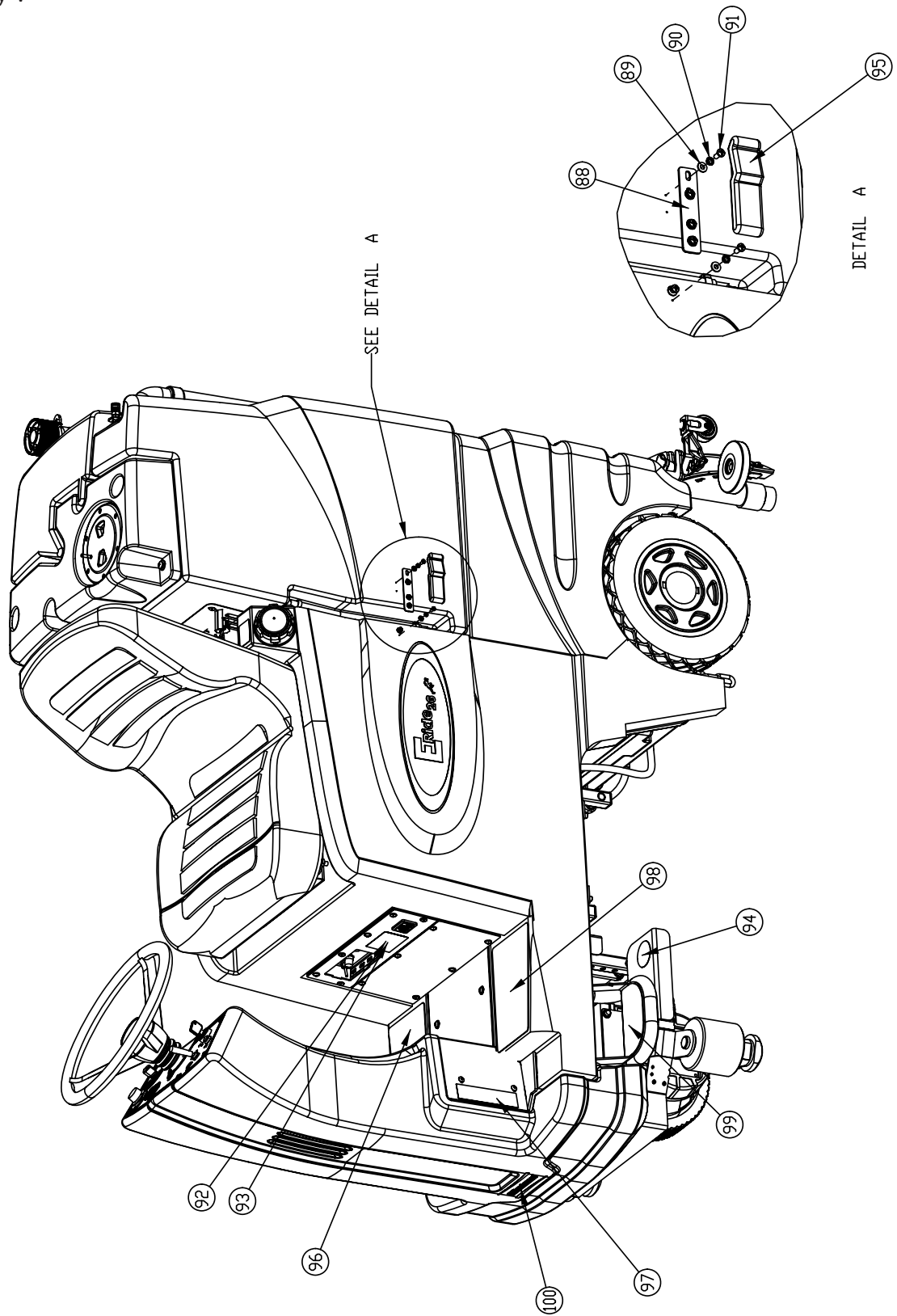


Main Assembly III



Main Assembly IV

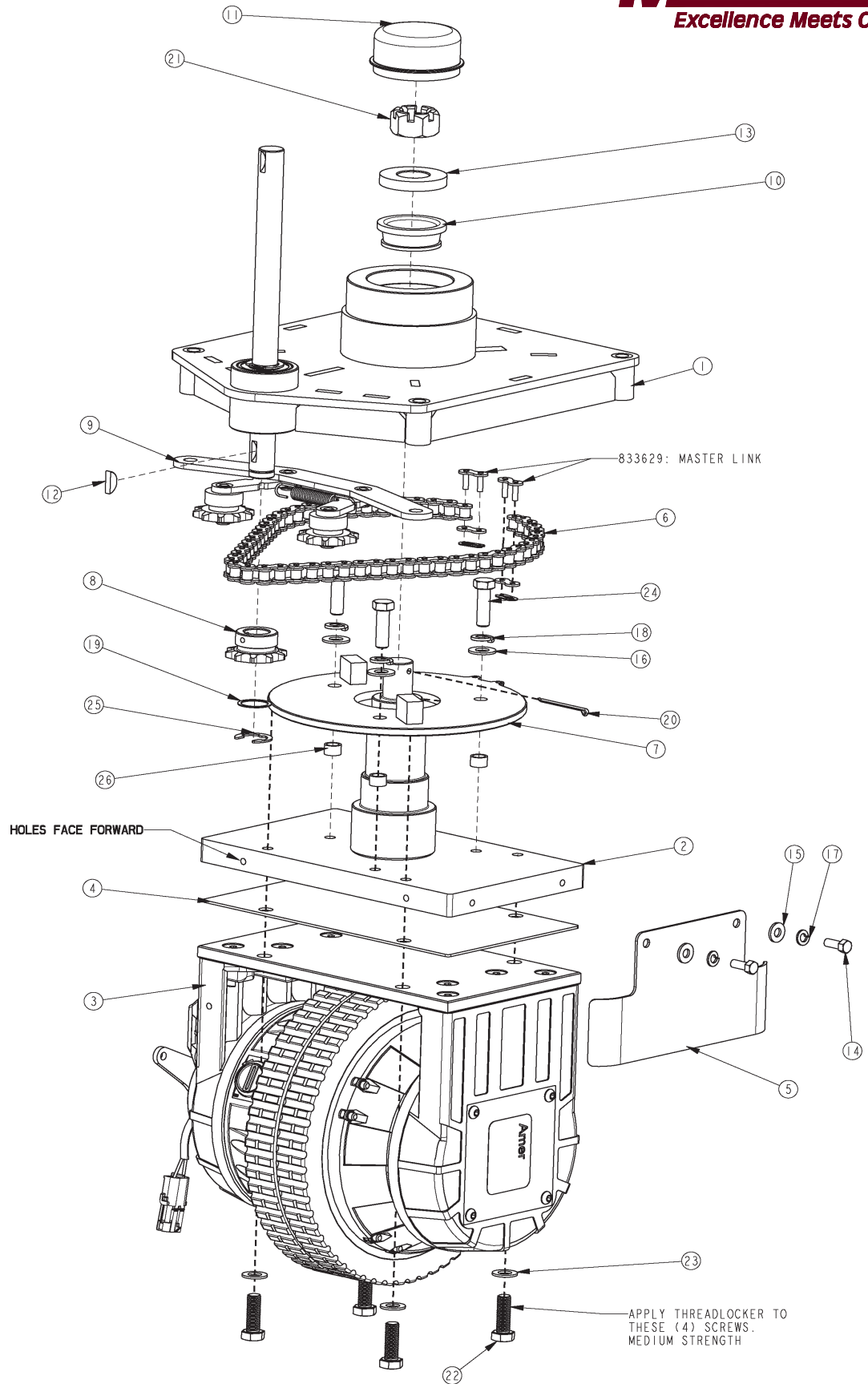




Main Assembly BOM (see Main Assemblies I - V)

BILL OF MATERIAL				BILL OF MATERIAL			
ITEM	PART NO.	REQ'D	DESCRIPTION	ITEM	PART NO.	REQ'D	DESCRIPTION
1	241013M	1	RECOVERY TANK ASSEMBLY, E RIDE 24/26	51	383277	3	KEY WOODRUFF 3/16 X3/4
2	241356	1	VACUUM HOSE - 48" FLEXIBLE W/ PVC CUFFS	52	711553	1	WSR- INTERNAL LOCK #10
3	711507	10	WSR-FLAT .37 X 1.12 X .06	53	712530	13	SCR-MC 10-24 X .62 SS
4	711353	4	NUT, ACORN 5/16-18	54	241365-1	1	SEAT ASSEMBLY, B100R / ERIDE
5	241023	1	REAR BATTERY COVER, SCV 24/26	55	711599	2	WSR-FLT .187 X 1.00 X .06
6	241024	1	BATTERY BOX SCV24/26	56	711923	2	POP RIVET 3/16"
7	711206	11	BLT-HH 1/4-20 X .87 STL ZINC	57	241372	1	USER MANUAL POUCH - PLASTIC
8	711544	18	WSR-HELICAL 1/4	58	711379	2	NUT, FLANGED WIZZ 5/16-18
9	711505	17	1/4 FLAT WASHER, STEEL	59	241139	1	FLOOR PANEL ANTISKID, SCV 24/26
10	241236	1	WIRE ROUTING BRACKET - SCV 2426	60	241263	1	SWITCH PANEL ASY - B100R/ERIDE
11	360017	2	3/4" X 4.50 CLEVIS PIN	61	241245	1	CONSOLE ASSEMBLY, SCV2426
12	711807	2	COTTER PIN .12 X 1.75	62	711575	2	WSR-FLT .31x.75x.06ST
13	711519	2	WSR- FLAT .25 X 1.01 X .06	63	711229	2	BLT-HH 5/16-18 x .875
14	241218	1	BATTERY COVER ASSEMBLY LH, SCV 2426	64	241239	1	STEERING COVER - LOWER, SCV 2426
15	241219	1	BATTERY COVER ASSEMBLY RH, SCV 2426	65	711242	6	BLT-HH 3/8 -16 X 1.00
16	711243	2	SCR-HEX 3/8 -16X1.50 ZP	66	712822	6	SCR-MC TR HD 10-24 X .50 SS
17	711515	19	WSR-FLAT .406 X .812 X .0625	67	241220	1	STEERING ASSEMBLY
18	241497	2	SPACER - 3/8 THICK X 1.75 O.D., STEEL	68	281051	1	SPIDER COUPLING, 3/4"
19	832974	1	CLEVIS PIN, 1/4 x 1-3/8	69	711510	1	WSR FLAT .5 X 1.37 X .100
20	3400125	1	PIN-COTTER 3/8 RUE RING	70	712328	4	SCREW - BUTTON HD, 1/4-20 X 2.50, SS
21	241423	1	SPRING, EXTENSION	71	711504	13	WSR-FLAT 1/4 ID SS
22	711508	2	WSR-FLAT .44X 1.0X.08	72	241303	1	FLOOR PANEL WELDMENT - SCV 2426
23	241499	1	REAR SQUEEGEE, 34" (860 mm)	73	711262	4	BLT-CARR 3/8-16 X 5 ZINC PL
24	241300	1	SQUEEGEE MECHANISM - E RIDE 24/26	74	241048	4	DRIVE MOTOR STANDOFF, SCV 24/26
25	711380	6	NUT-NYLOC 3/8-16 NUT	75	711011	1	SCR-SK 1/4-20 X.25 - CUP PT. SET SCR
26	711685	8	SCR - FL HD 1/2-13 UNC X .75" SOC	76	241411	1	FRONT DRIVE ASSEMBLY (-10"), E RIDE
27	241398	2	REAR WHEEL ASSY, E RIDE 2426	77	241221	1	DASHBOARD ASSEMBLY, SCV2426
28	711506	14	WSR-FLT .344 X .690 X .062 STL Z	78	90759606	1	STEERING WHEEL CAP
29	711545	19	WSR-HELICAL 5/16	79	90511270	1	STEERING WHEEL - 14" OD, SOFT GRIP. BLACK
30	711583	2	WSR-WAVE .78 X 1.00 X .02	80	368-816	1	HALF NUT NYLOC 1/2-20
31	241217	2	SPACER TUBE - SCV 2426	81	710025	4	SCR-MC TR HD 8-32 X .375 SS
32	241480	1	LINKAGE ATTACHMENT SHAFT, SCV 24/26	82	711808	1	COTTER PIN-HAIR #13
33	241258	1	HORN ASSY. - SCV 2426	83	241012M	1	SOLUTION TANK ASSY, E RIDE 24/26
34	711203	6	BLT-HH 1/4-20 X 0.62 STPL	84	712562	2	BOLT-HH 1/4-20X3/4 SS
35	711546	10	WSR-HELICAL 3/8	85	241370	1	BRACKET - HOLDING STRAP, SCV 2426
36	241242	1	LINKAGE ASSY W/O ACTUATOR, SCV 2426	86	711678	1	CLEVIS PIN 3/8 X 2-1/4
37	713042	4	BLT-HH 3/8-16 X 1 #5	87	241200	1	MAIN FRAME WELDMENT - E RIDE 26 / B100R
38	241566	1	SHIELD - IGUS CHAIN, E RIDE 2426	88	241434	1	RECOVERY TANK LATCH MTG. EXT. BRKT., SCV 24/26
39	748214	1	CABLE ASY, DRIVE MOTOR SCV2426 NEW	89	711502	10	WSR-FLT .170 x.38 x.032 STL ZINC
40	711228	10	BLT-HH 5/16-18 X .75 ST PL	90	711542	11	WSR-HELICAL #8
41	711534	3	WSR-EXTERNAL LOCK #10	91	710328	10	SCR-MC RD HD 8-32X.37 STL
42	670115	1	CHAIN MOUNTING STRAP	92	715029	1	DECAL-NAME PLATE SERIAL
43	320996	1	STATIC GROUNDING CHAIN	93	715047	1	DECAL-CLEAR LAMINATE 2X3
44	712764	5	WSR #10 SS	94	715644	1	WARNING LABEL - "DO NOT STEP"
45	711350	3	NUT-NYLOC 10-32	95	450207	2	LATCH, SOFT #C7-10
46	713026	6	BLT-HH 5/16-18 X 3/4 #5	96	241138	1	FOOT REST ANTISKID,SCV 24/26 RH
47	241133	2	ROLLER/ANTI-TIP BRACKET ASSEMBLY, SCV 24/26	97	17267451	1	ADHESIVE LABEL - GENERAL SAFETY, W/ UNIVERSAL SYMBOLS
48	711512	2	WSR-FLAT .75X1.37X.08	98	241137	1	FOOT REST ANTISKID,SCV 24/26 LH
49	809148	2	RETAINING RING - "E" TYPE EXT .75	99	241117	2	FRONT FOOT STEP ANTISKID, SCV 24
50	241224	1	BOOT - SHAFT, SCV 2426	100	715914W	1	DECAL, MINUTEMAN W/SWOOSHES, WHITE

Front Drive Assembly



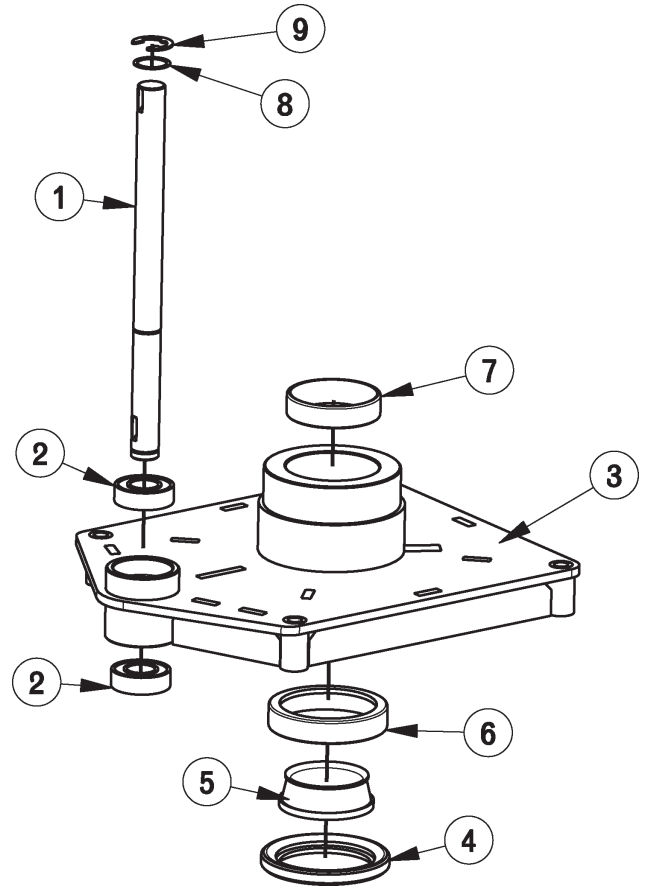
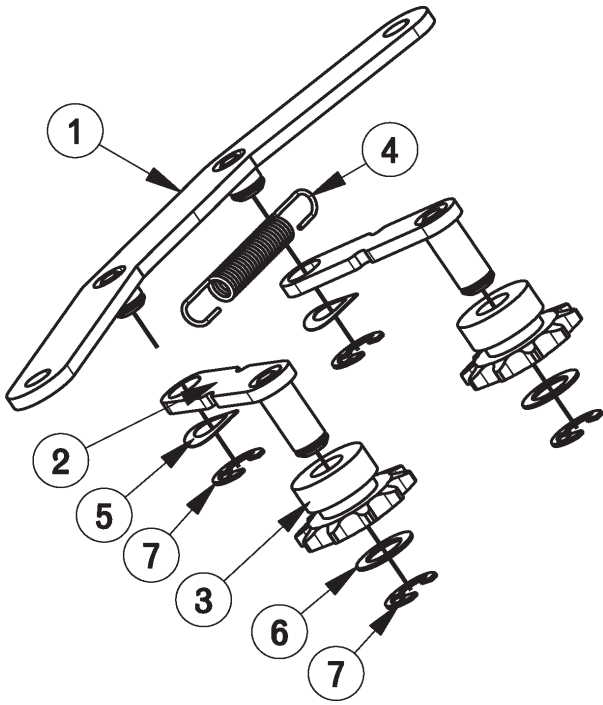
Front Drive Assembly BOM

BILL OF MATERIAL - 241411			
ITEM	PART NO.	REQ'D	DESCRIPTION
1	REF ONLY	1	FRONT DRIVE W/ BEARING ASS'Y, SCV 24/26
2	241392	1	SPINDLE WELDMENT, E-RIDE/B100R
3	241400	1	ELECTRIC CHASSIS DRIVE - E-RIDE / B100R (10.0")
4	241450	1	SPACER, DRIVE MOUNTING PLATE
5	241564	1	SHIELD - AMER MOTOR, SIDE
6	281054	1	CHAIN, STEERING No. 40, 27.5"
7	281254	1	STEERING DISC WMT
8	281268	1	SPROCKET-RC #40, 10 TEETH, 3/4" BORE
9	281285	1	IDLER ASSY, FRONT DRIVE
10	383077	1	BEARING CONE (LM104949)
11	383250	1	GREASE CAP
12	383277	1	KEY WOODRUFF 3/16 X 3/4
13	383364	1	THRUST WASHER
14	711202	2	BLT-HH 1/4-20 X 0.50 STPL
15	711505	2	WSR-FLAT 1/4
16	711515	3	WSR-FLAT .406 X .812 X .0625
17	711511	2	WSR-HELICAL 1/4
18	711546	3	WSR-HELICAL 3/8
19	711588	1	WSR-FLAT .75X1.00X.025
20	711807	1	COTTER PIN .12 X 1.75
21	712113	1	CASTLE NUT
22	712330	4	METRIC HEX CAP SCREW M10x1.5x30
23	712767	4	FLAT WASHER .406 ID X .75 OD X .
24	713043	3	BLT-HH 3/8-16 X 1 1/4 #5
25	809148	1	RETAINING RING - "E" TYPE EXT .75
26	809247	3	STEERING PLATE SPACER
27	833629	2	MASTER CHAIN LINK

Front Drive Subassembly

Bearing Subassembly

Idler Subassembly



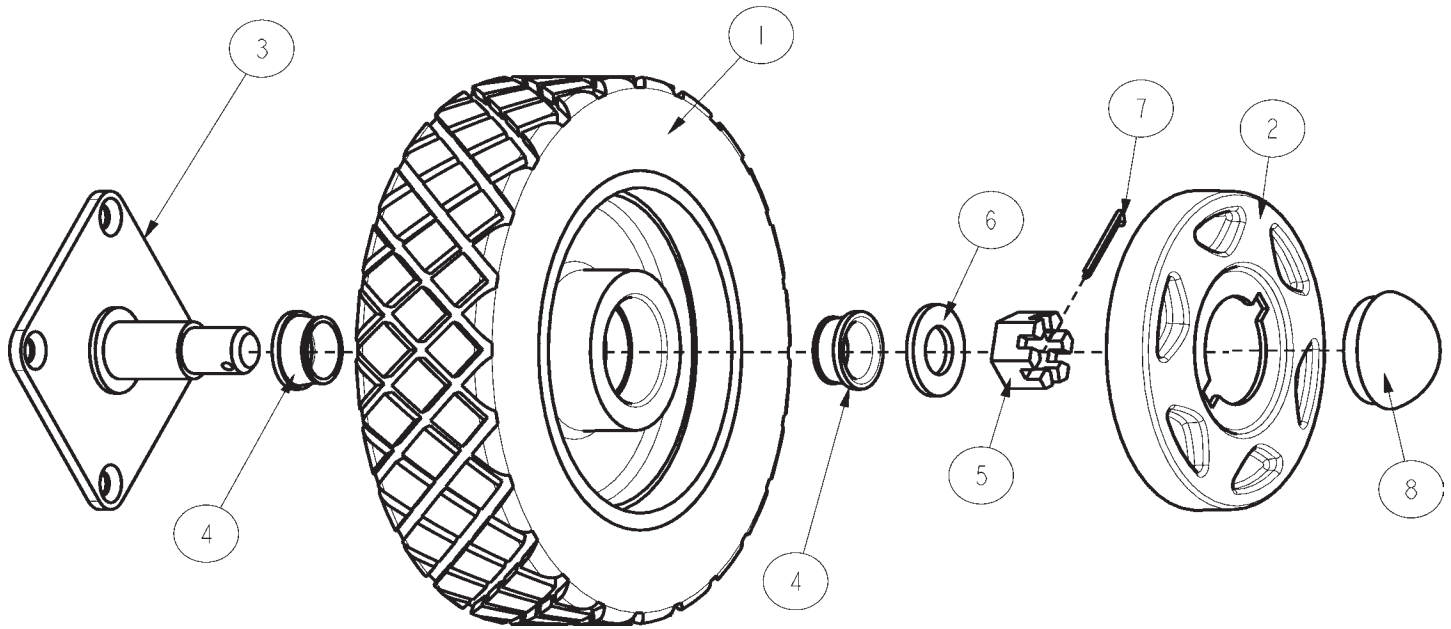
BILL OF MATERIAL - 281285

ITEM	PART NO.	REQ'D	DESCRIPTION
1	281276	1	IDLER BASE VMIT, FRONT DRIVE
2	281279	2	IDLER ARM VMIT, FRONT DRIVE
3	281282	2	IDLER SPROCKET RC#40, 10 TEETH, 1/2" BORE, NYLON
4	430051	1	SPRING RETURN .313 X .438 X 2.93 SS
5	711524	2	WSR WAVE .52 X .87 X .01
6	711594	2	WSR FLAT .56 X .88 X .03 NICKEL
7	711713	4	RET RINGE TYPE EXT .50

BILL OF MATERIAL - 241257

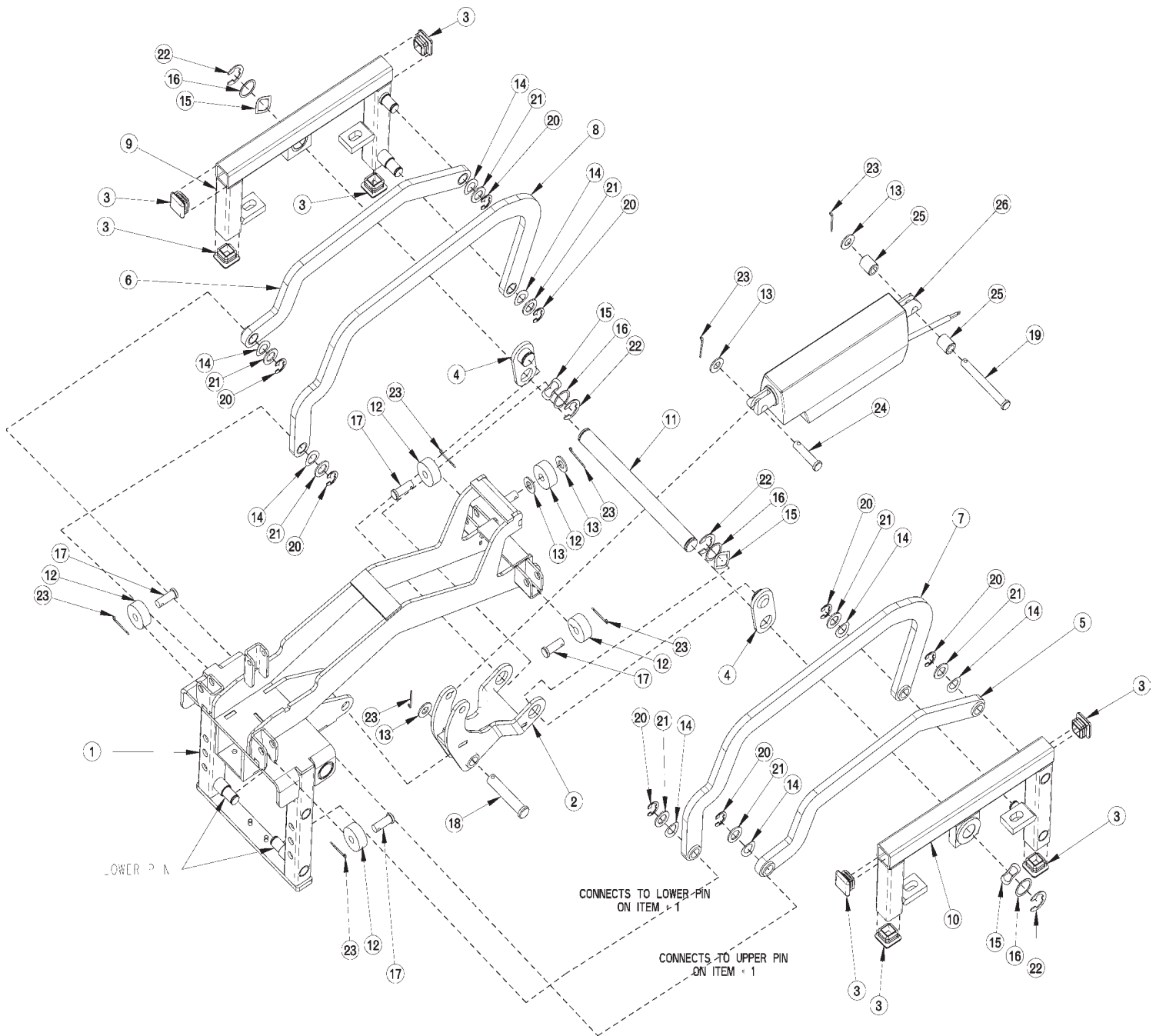
ITEM	PART NO.	REQ'D	DESCRIPTION
1	241267	1	STEERING SPROCKET SHAFT, SCV 24/26
2	281057	2	BEARING RADIAL .750 X 1.625 X .500
3	281260	1	MOUNT VMIT, FRONT DRIVE
4	383074	1	SEAL LIP
5	383075	1	BEARING ROLL 2.00 X 2.975 X .930
6	383076	1	BEARING RACE (CONE) 3.250 X .650
7	383078	1	BEARING RACE (CONE) 2.562 X .620
8	711588	1	WSR FLT .75 X 1.00 X .025
9	800148	1	RET RINGE TYPE .75 5133-75

Rear Wheel Assembly



BILL OF MATERIAL - 241398			
ITEM	PART NO.	REQ'D	DESCRIPTION
1	241210	1	REAR WHEEL ASSY
2	241212	1	HUB CAP, WHEEL
3	241495	1	AXLE WELDMENT, REAR
4	383194	2	BEARING CONE, 1.250X .660
5	711450	1	NUT-SLOTTED, 1-14 UNS - 2A
6	711514	1	WSR-FLT, I.O. ID X 2.0 OD
7	380-632-20	1	3/16 COTTER PIN
8	383241PTD	1	GREASE CAP WHEEL-PAINTED

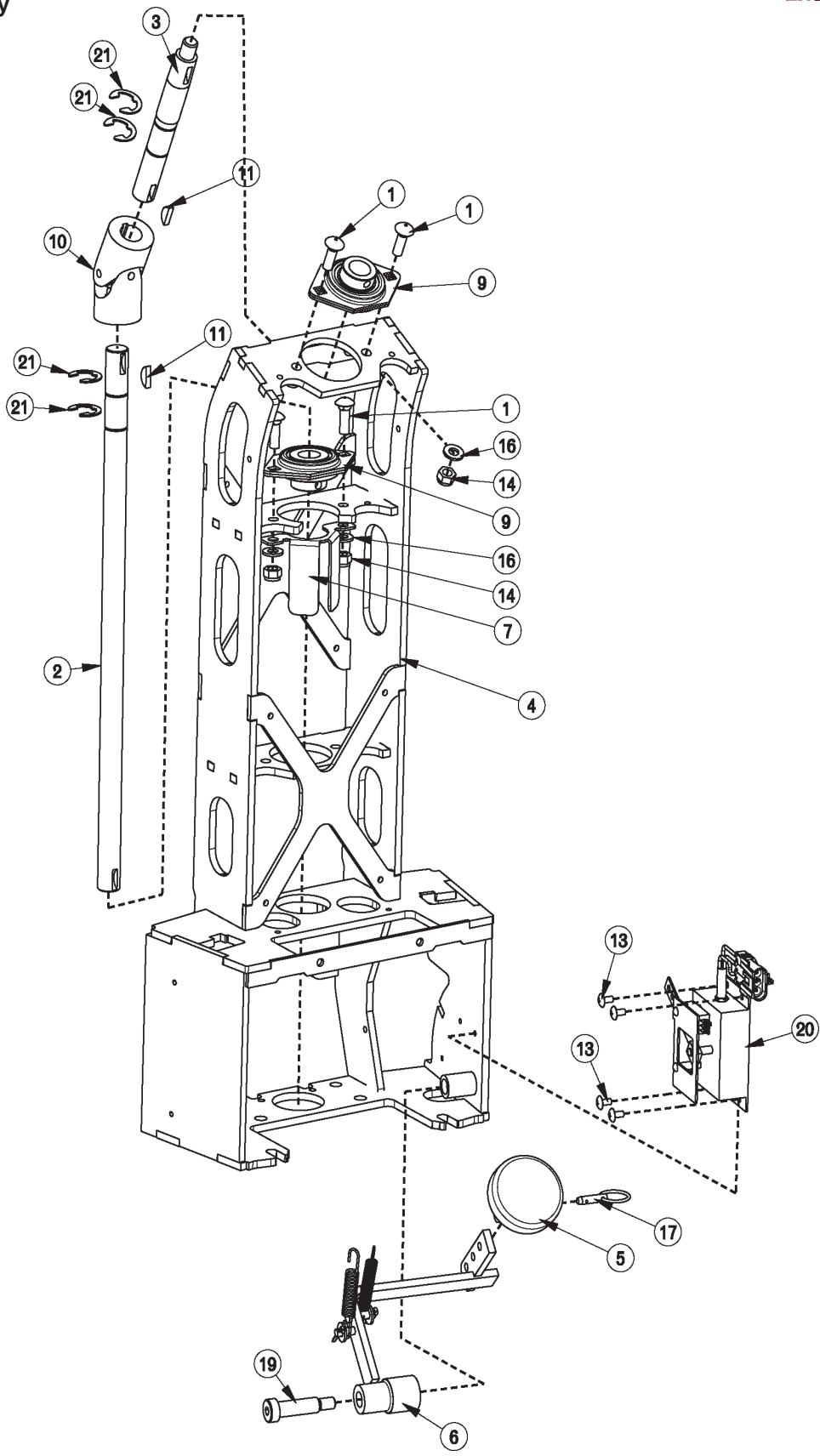
Linkage Assembly



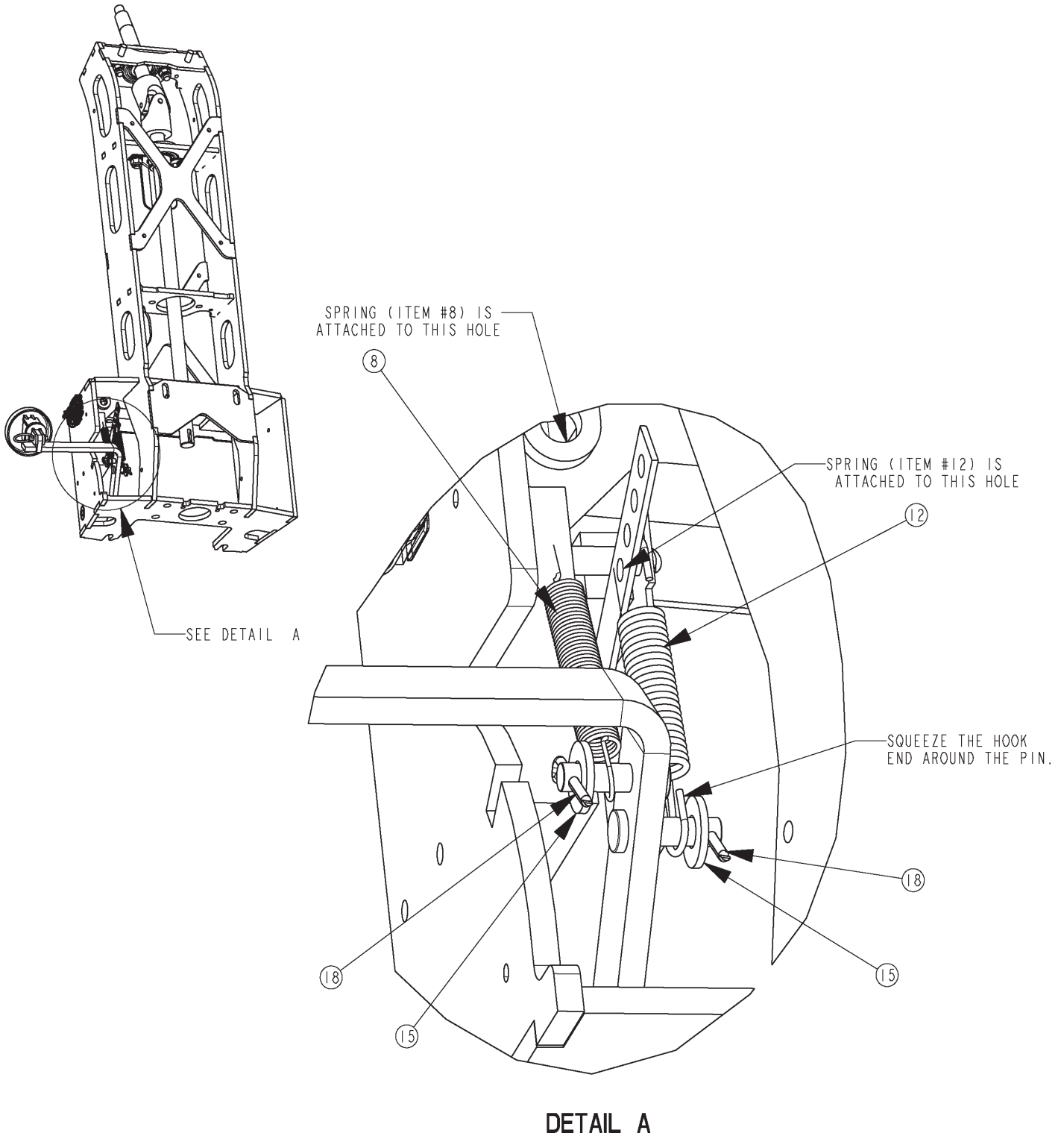
BILL OF MATERIAL - 241242

ITEM	PART NO.	REQ'D	DESCRIPTION
1	241241	1	FIXED PIVOT WELDMENT - SCV 2426, NO ACTUATOR MOUNT
2	241350	1	LINKAGE ARM WELDMENT, SCV 2426
3	241355	8	SQUARE POLYETHYLENE PLUG
4	241367	2	DECK LINK WELDMENT, SCV 24/26
5	241462	1	LEFT UPPER LINK ASSEMBLY, SCV 24/26
6	241464	1	RIGHT UPPER LINK ASSEMBLY, SCV 24/26
7	241465	1	LEFT LOWER LINK ASSEMBLY, SCV 24/26
8	241467	1	RIGHT LOWER LINK ASSEMBLY, SCV 24/26
9	241468	1	LEFT LIFT WELDMENT W/BUSHING, SCV 24/26
10	241470	1	RIGHT LIFT WELDMENT W/BUSHING, SCV 24/26
11	241472	1	LINK ATTACHMENT SHAFT, SCV 24/26
12	241485	5	POLYURETHANE ROLLER, SCV 24/26
13	711515	5	WSR-FLAT .406 X .812 X .0625
14	711524	8	WSR-WAVE .52 X .87 X .01
15	711583	4	WSR-WAVE .78 X 1.00 X .02
16	711588	4	WSR-FLAT .75X1.00X.025
17	711668	4	CLEVIS PIN, 3/8X1 11-141
18	711669	1	CLEVIS PIN .5 X 2.5
19	711681	1	PIN CLEVIS, 3/8 X 3-1/4 ZP
20	711713	8	RETAINING RING - "E" TYPE EXT .500
21	712310	8	WSR- FLAT .52 X .87 X .06 PL
22	809148	4	RETAINING RING - "E" TYPE EXT .75
23	809311	8	PIN-COTTER 7/64 DIA X 1
24	831965	1	3/8 x 1.63" CLEVIS PIN
25	840118	2	BUSHING - 3/8 ID X .625 OD X .75 L, STEEL, ZINC PL
26	740822-1	1	LINAK ACTUATOR, 100MM STROKE, 75 W/TERMINALS

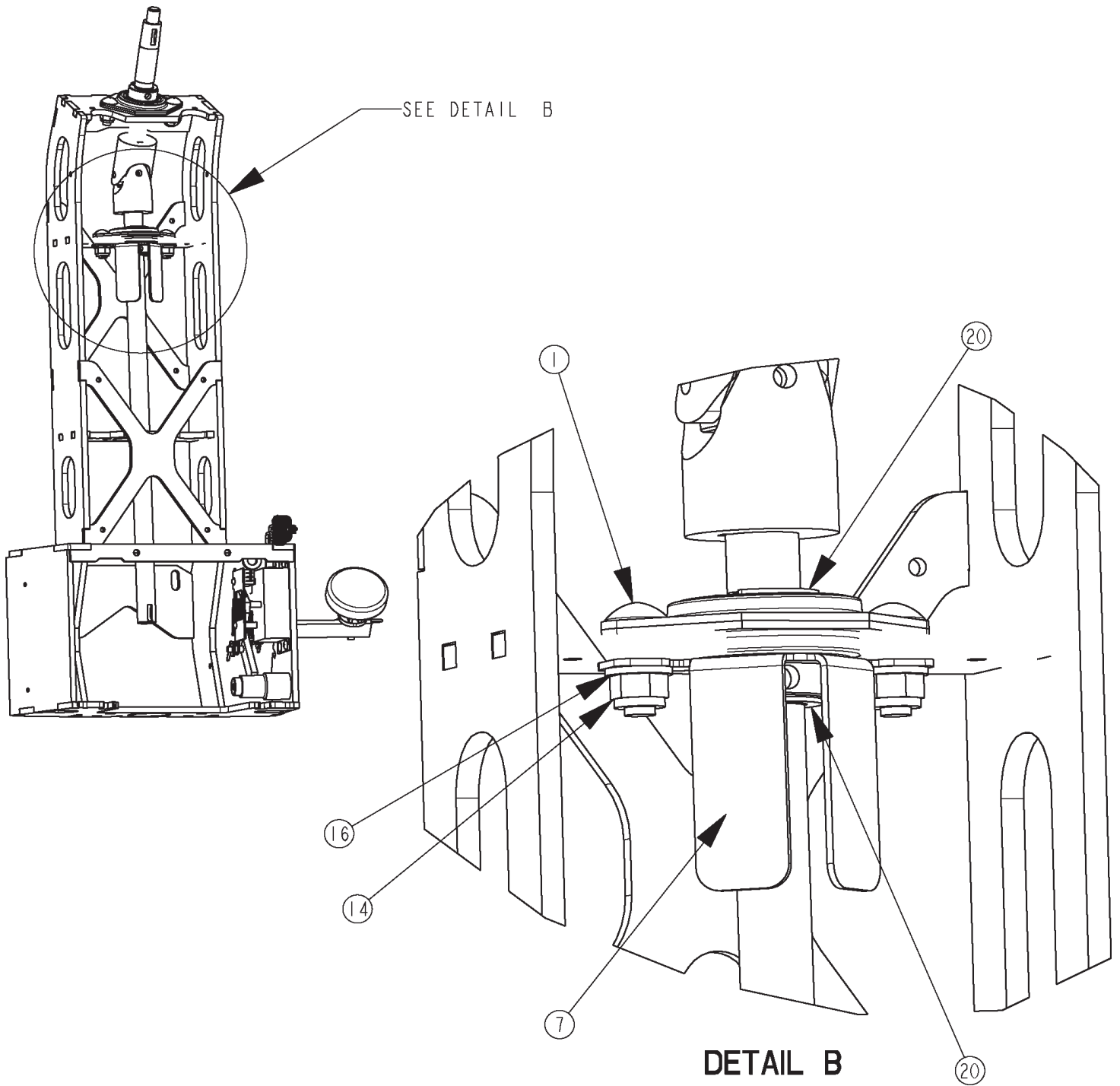
Steering Assembly



Steering Assembly

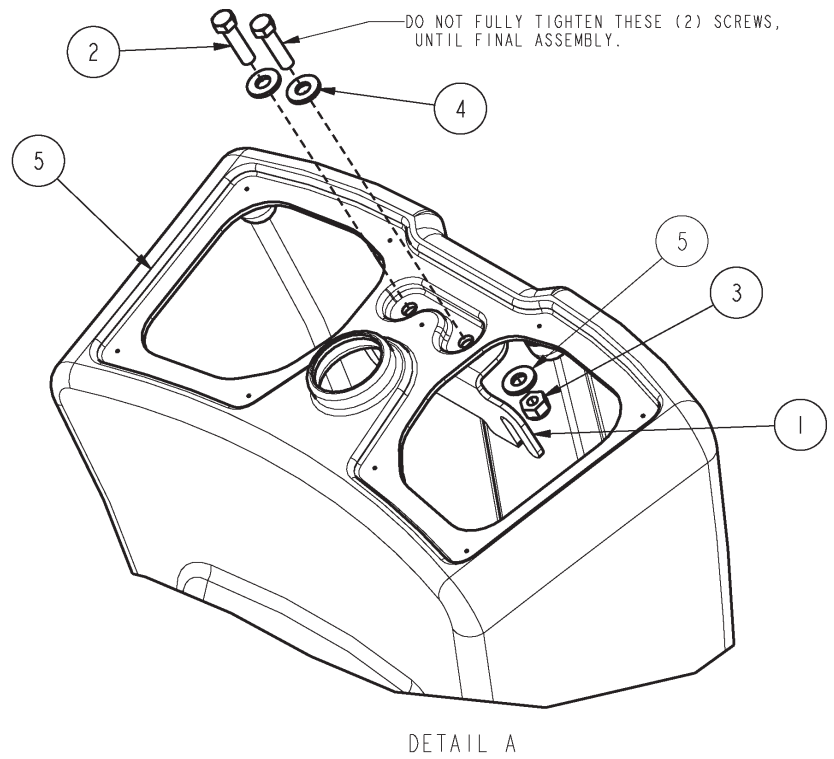
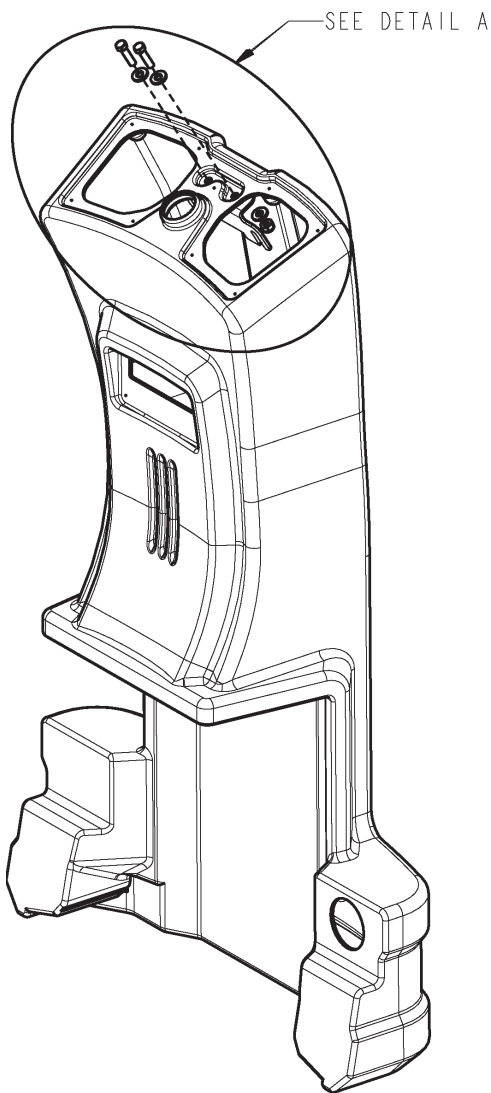


Steering Assembly



BILL OF MATERIAL - 241220			
ITEM	PART NO.	REQ'D	DESCRIPTION
1	70-516-16	4	BLT-CARR 5/16-18 X 1
2	241161	1	SHAFT - SCV STEERING
3	241163	1	SHAFT-STEERING-SCV 24/26
4	241175	1	WELDMENT-STEERING FRAME SCV 24/26
5	241222	1	WELDMENT-ACCELERATOR PEDAL-SCV 2426 ROUND STYLE
6	241244	1	WELDMENT-ACCELERATOR ARM SCV 2426
7	241364	1	SHIELD - STEERING FRAME, SCV 2426
8	281047	1	SPRING-EXT 2.75
9	281392	2	BEARING ASSEMBLY 3/4"
10	383098	1	JOINT-UNIVERSAL 3/4"
11	383277	2	KEY-WOODRUFF 3/16 X 3/4
12	430051	1	SPRING-RETURN .313 X .438 X 2.93 SS
13	710153	4	SCR-MC 10-32 X .37 ZINC
14	711374	4	NUT-NYLOC 5/16-18
15	711505	2	WSR-FLT 1/4
16	711506	4	WSR- FLAT, 5/16 TYPE A, SERIES N (NARROW), ST PL
17	711682	1	PIN-QUICK REL, 1/4 X .50 UL
18	711951	2	PIN-COTTER - 3/32" X .75" ZINC
19	712102	1	BLT-SHOULDER 1/2 X 1.5
20	748013-2	1	POTENTIOMETER BOX ASY, SCV W/PACKARD
21	809148	4	RET RING-E TYPE .75 5133-75

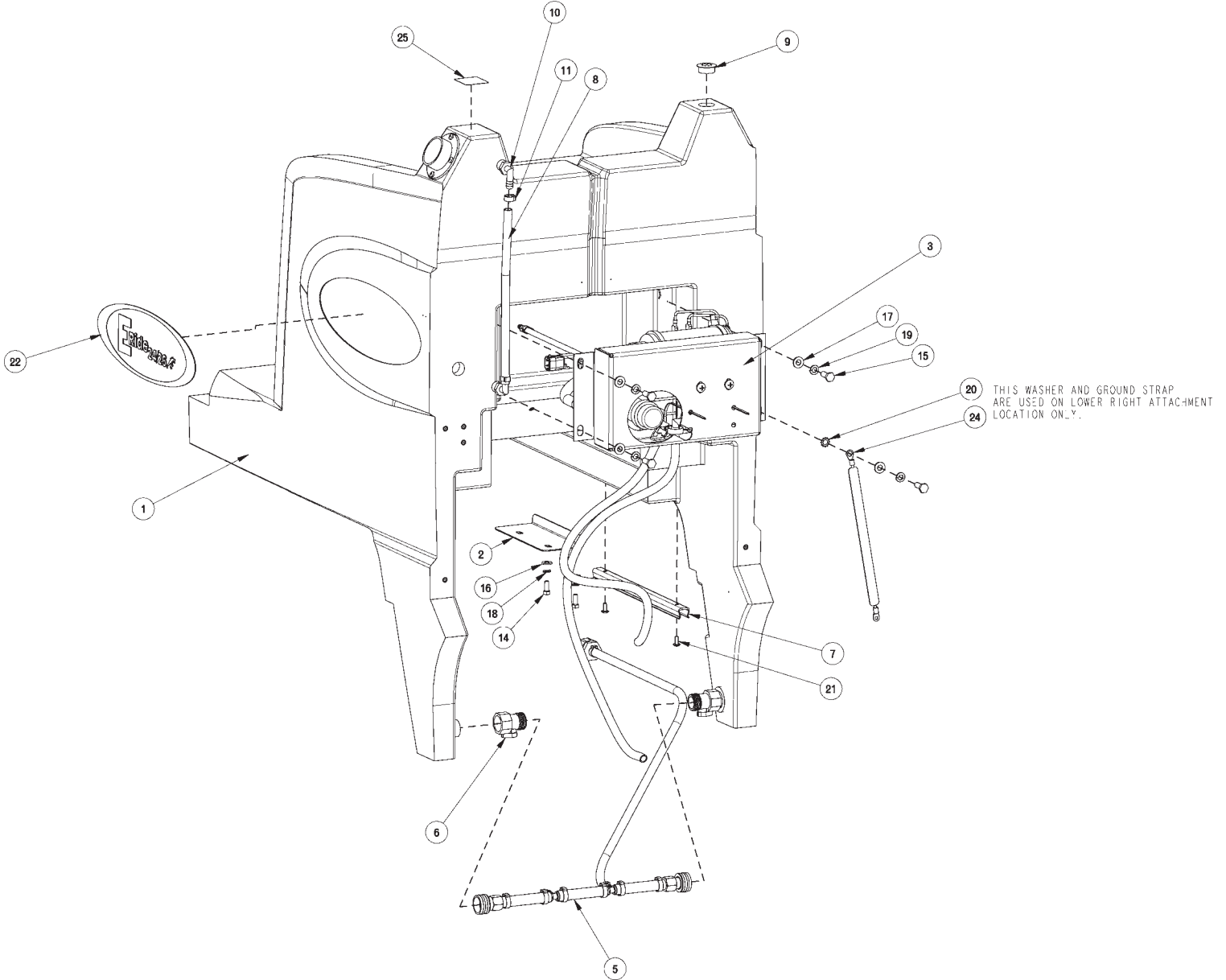
Console Assembly



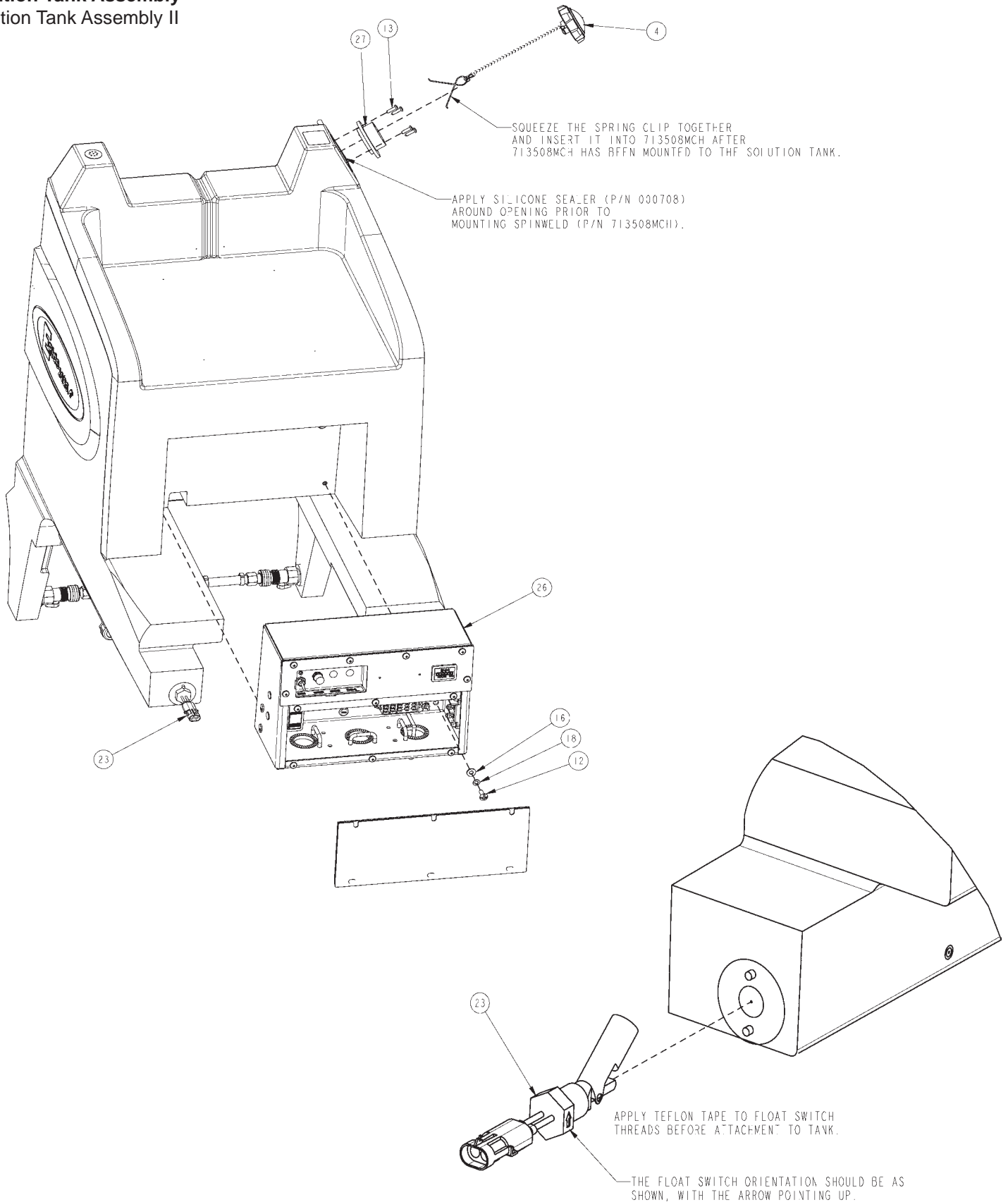
BILL OF MATERIAL - 241245			
ITEM	PART NO.	REQ'D	DESCRIPTION
1	241240	1	UPPER BRACKET - STEERING, SCV 2426
2	711207	2	BLT-HH 1/4-20 X 1.00 STPL
3	711373	2	NUT-NYLOC 1/4-20
4	711505	4	WSR-FLAT 1/4
5	241160HG	1	CONSOLE - SCV 2426

Solution Tank Assembly
 Solution Tank Assembly I

APPLY TEFLON TAPE TO FITTING THREADS
 BEFORE ATTACHMENT TO TANK (2 PLCS).

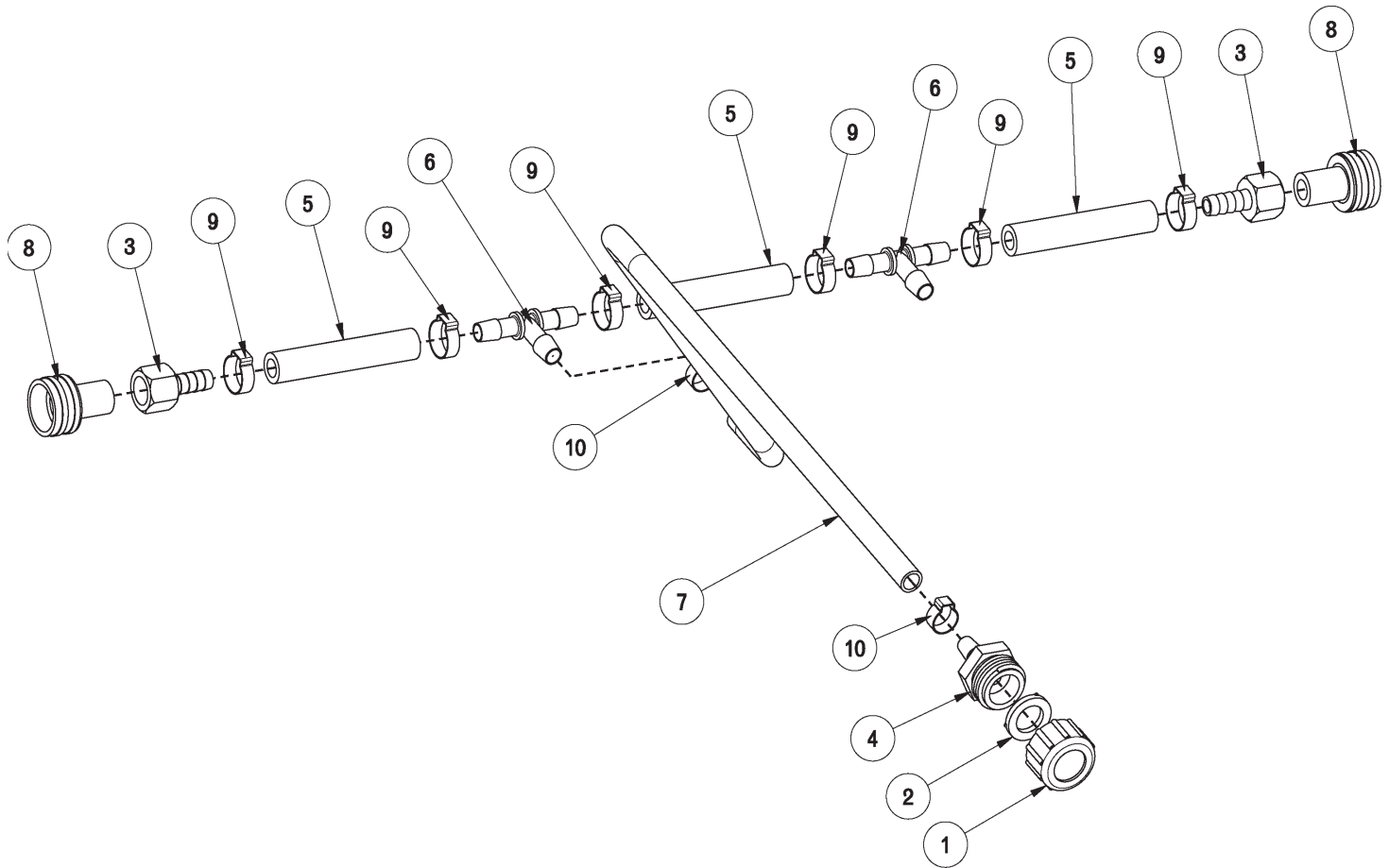


Solution Tank Assembly
 Solution Tank Assembly II



BILL OF MATERIAL - 241012M			
ITEM	PART NO.	REQ'D	DESCRIPTION
1	241002	1	SOLUTION TANK, SCV24, ASSEMBLY, SPINWELDS
2	241041	1	SCV 24, WIRE BUNDLE, COVER PLATE
3	REF ONLY	1	PUMP SUB-ASSEMBLY w/OAW, SCV 24/26
4	241146	1	UNVENTED PLASTIC CAP w/LANYARD, SCV 24/26
5	REF ONLY	1	SOLUTION TANK HOSE ASSY, SCV 24/26
6	241570	2	SHUTOFF VALVE, W/ ZERO PRESSURE WASHER
7	260149	1	U CHANNEL 12"
8	260340	1	SOLUTION TANK SIGHT LEVEL TUBE, SCV 24/26
9	281371	1	VENT PLUG
10	450040	2	FITTING 90 3/8 MPT X 3/8 BARB
11	450092	2	CRIMP CLAMP 27/64" TO 17/32"
12	710180	4	SCR-MC TR HD 1/4-20x.75 STL ZINC
13	711118	4	SCR-ST-A 10 X .75 SS
14	711203	2	BLT-HH 1/4-20 X .63 ST PL
15	711229	4	BLT-HH 5/16-18 x .875
16	711505	6	WSR-FLAT 1/4
17	711506	4	WSR-FLT .344 X .690 X .062 STL Z
18	711544	6	WSR-HELICAL 1/4
19	711545	4	WSR-HELICAL 5/16
20	711565	1	WSR-EXTERNAL LOCK 5/16
21	712822	2	SCR-MC TR HD 10-24 X .50 SS
22	715928	2	DECAL E RIDE 2426
23	742708-4	1	FLOAT SWITCH W/WEATHER PACK
24	748256	1	GROUND STRAP, SCV2426 CONTROL BOX TO FRAME
25	17262197	1	DECAL - MAX. SOLUTION TEMPERATURE
26	241238M	1	ELECTRICAL BOX ASY
27	713508MCH	1	SPINWELD # 20D MACHINED

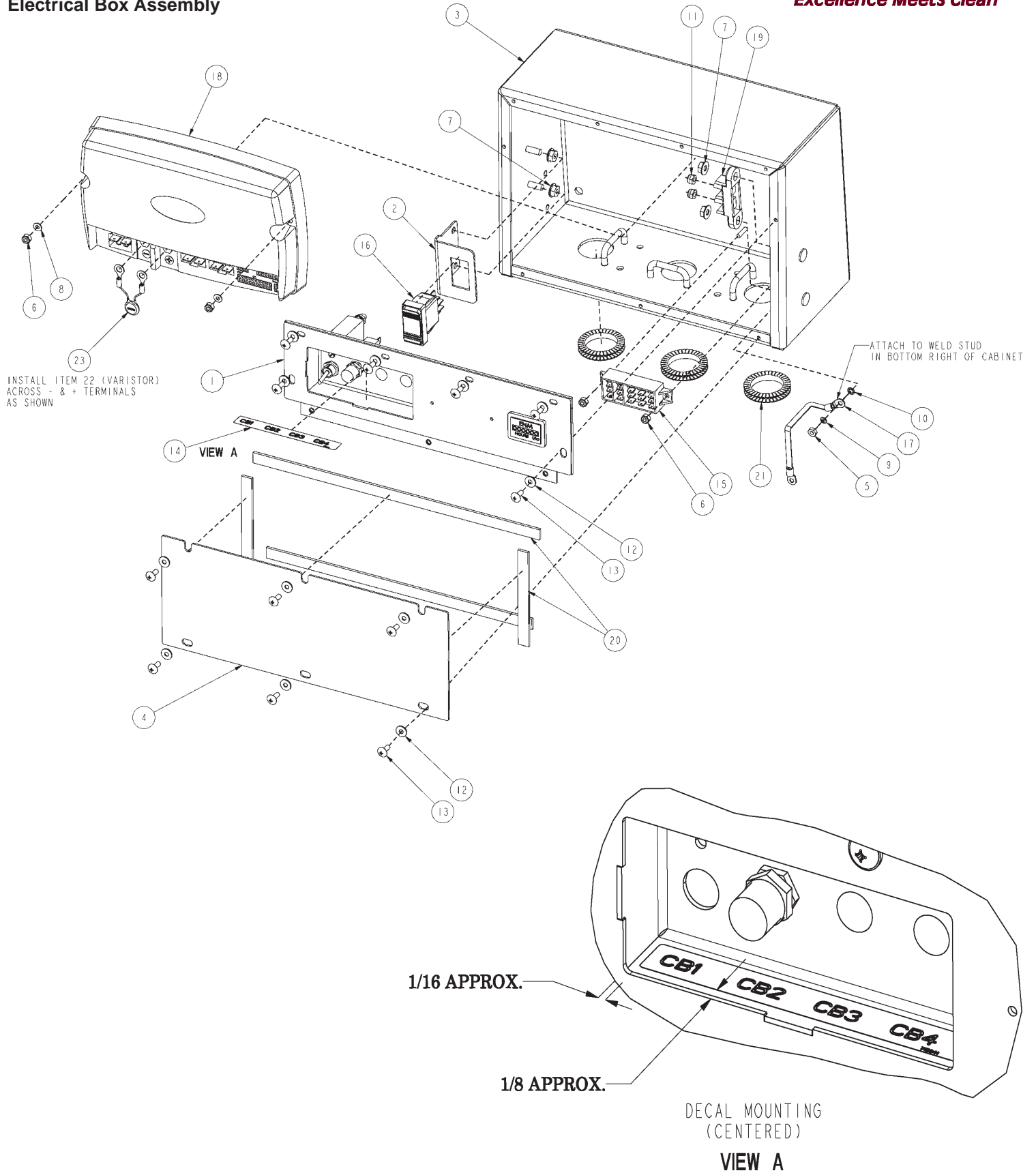
Hose Assembly - Drain, Solution Tank, SCV 2426/B100R



BILL OF MATERIAL

ITEM	PART NO.	REQ'D.	DESCRIPTION
1	200023	1	CAP - GARDEN HOSE, 3/4 X 11 1/2 FEMALE THREAD, WHITE
2	200024	1	WSR-BLACK VINYL
3	210410	2	FITTING-3/8FPT 3/8HOSE BRASS
4	241393	1	FITTING - 3/4" X 11-1/2 MALE GARDEN HOSE x 3/8" HOSE BARB, PLASTIC, WHITE
5	241496	3	HOSE - SOLUTION TANK DRAIN, 3.375" L, E RIDE / B100R
6	241726	2	NYLON SINGLE-BARBED TEE, 3/8"
7	241727	1	DRAIN HOSE 1/2" X 30"
8	281425	2	SWITCH-SWIVEL CONNECTOR-3/4 GHT X 3/8 MPT
9	450076	6	CLAMP-CRIMP 185R SS
10	828490	2	CLAMP-CRIMP 140R

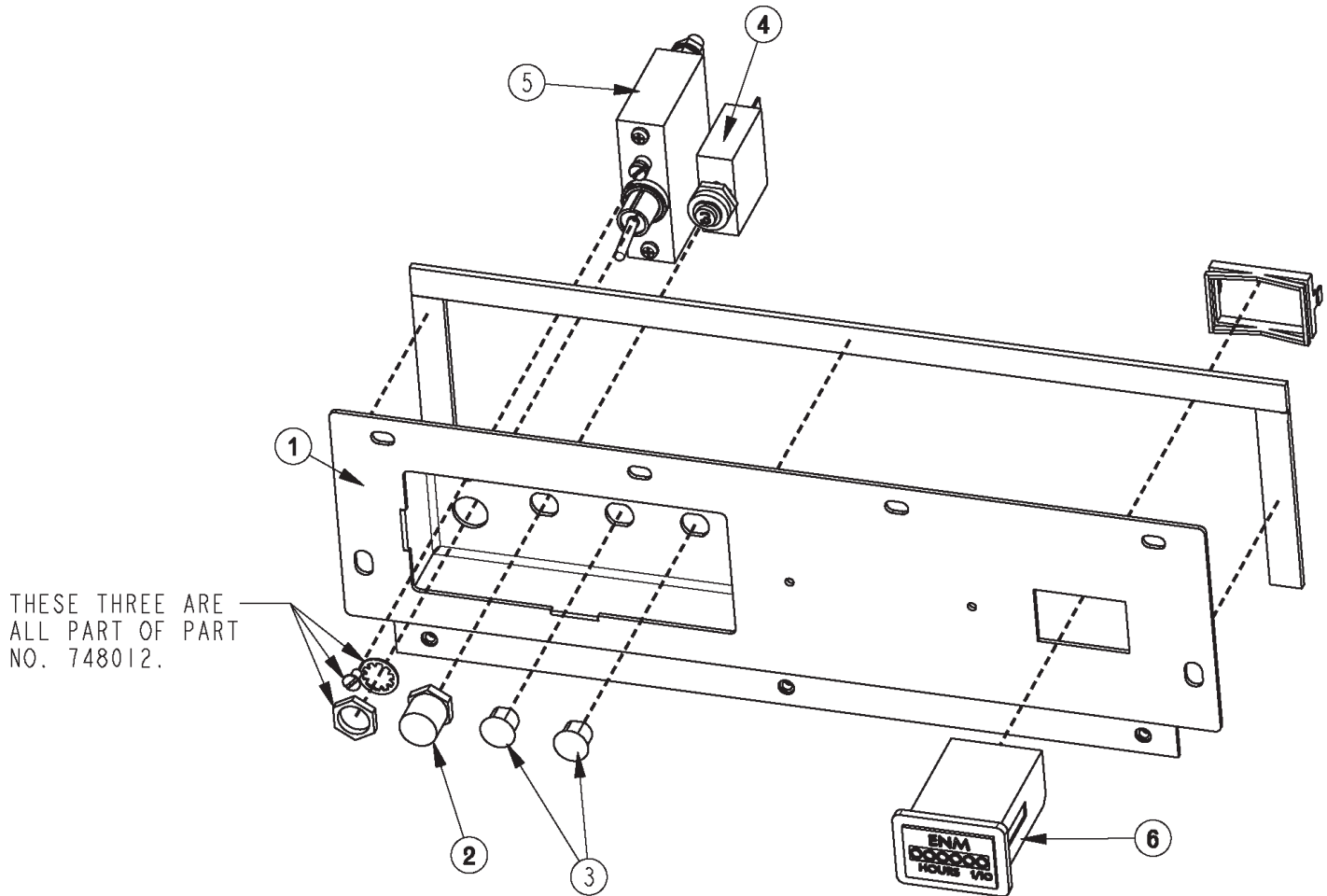
Electrical Box Assembly



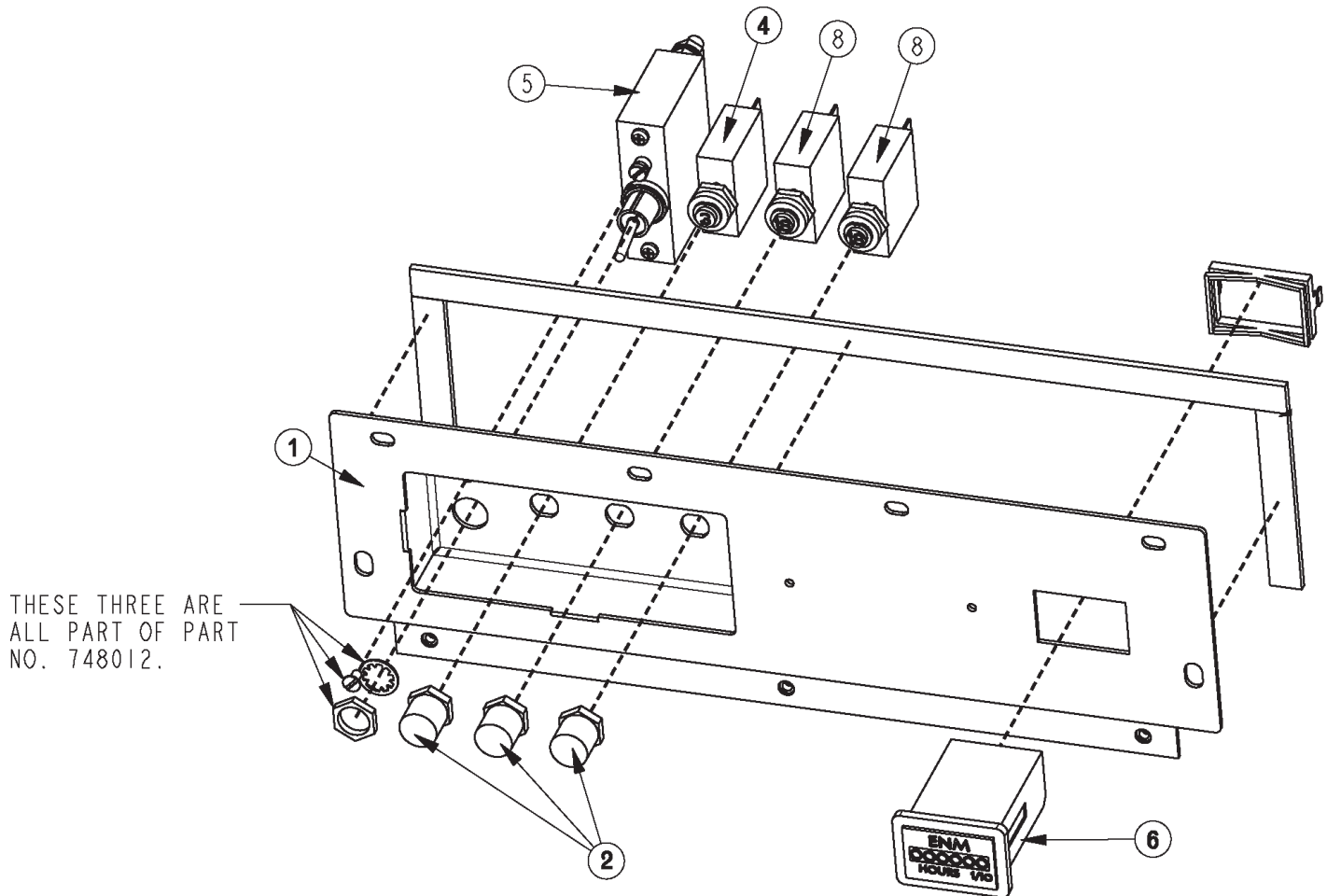
Electrical Box Assembly BOM

BILL OF MATERIAL - 241238M			
ITEM	PART NO.	REQ'D.	DESCRIPTION
1	241234	1	CONTROL PANEL ASY, E-RIDE2426 /B100R
2	241248	1	BRACKET - SCV 2426, ELECTRICAL BOX, DECK SWITCH
3	241249	1	ELECTRICAL BOX WELDMENT, SCV 2426
4	241314	1	DOOR - ELECTRICAL PANEL, SCV 2426
5	711304	1	NUT-HEX 8-32 ST PL
6	711372	4	NUT-NYLOC 8-32
7	711425	4	NUT-FLANGED WIZZ 1/4-20 STL ZP
8	711502	2	WSR-FLT #8
9	711542	1	WSR-HELICAL #8
10	711552	1	WSR-INT LOCK #8
11	712638	2	NUT HEX 10-24 SS NYLOC
12	712764	12	WSR #10 SS
13	712822	12	SCR-MC 10-24 X .50 SS TR
14	715641	1	DECAL - CIRCUIT BREAKERS, E-RIDE E-BOX
15	744005	1	TERMINAL BLOCK-5 POS 4,4,12
16	748152	1	SWITCH, DPDT MOMENTARY ON-OFF-ON (SCV2832E DECK RAISE/LOWER)
17	748257	1	GROUND STRAP, SCV2426 CONTROL BOX TO FRAME
18	748271	1	CONTROLLER, TRIO+ WET (FLOODED) BATTERIES
18A	748270	1	CONTROLLER FOR GEL/AGM BATTERIES
19	748276	1	JUNCTION BLOCK, 2 STUD 10/24" 30A
20	830557	3.16	DORTITE 1/2 INCH RM 1 F
21	281449	1.125	SERRATED GROMMET STRIP - .187IN
22	748287M	1	WIRES, ERIDE 2426 ELECTRICAL BOX (NOT SHOWN)
23	748269-1	1	VARISTOR ASY, RING TERMINALS 1/4"

**NOTE: CONFIGURATION WITH DISC SCRUB DECK,
SEE BILL OF MATERIAL ON NEXT PAGE.**

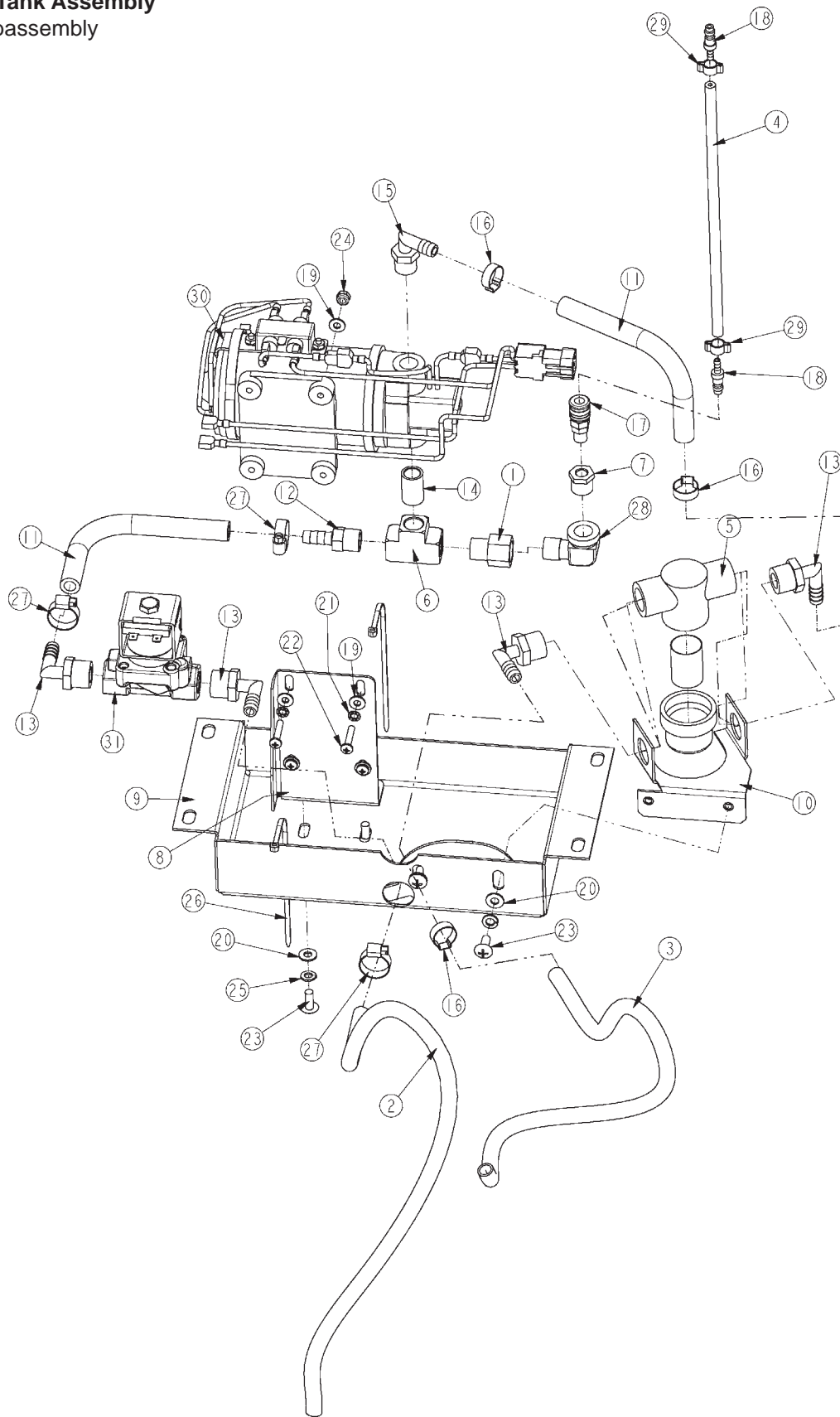


NOTE: CONFIGURATION WITH CYLINDRICAL SCRUB DECK.



BILL OF MATERIAL - 241234			
ITEM	PART NO.	REQ'D	DESCRIPTION
1	241233	1	CONTROL PANEL WELDMENT - SCV 2426, NO E-STOP
2	742748	2	CIRCUIT BREAKER BOOT
3	742749	3	HOLE PLUG
4	746006	1	CIRCUIT BREAKER - 3A
5	748012	1	CIRCUIT BREAKER 100A
6	748203	1	HOUR METER, 10-80VDC ENM-T41D45
7	830557	1.67	DORTITE 1/2 INCH RM 1 F
8	740238	2	CIRCUIT BREAKER 18 AMP

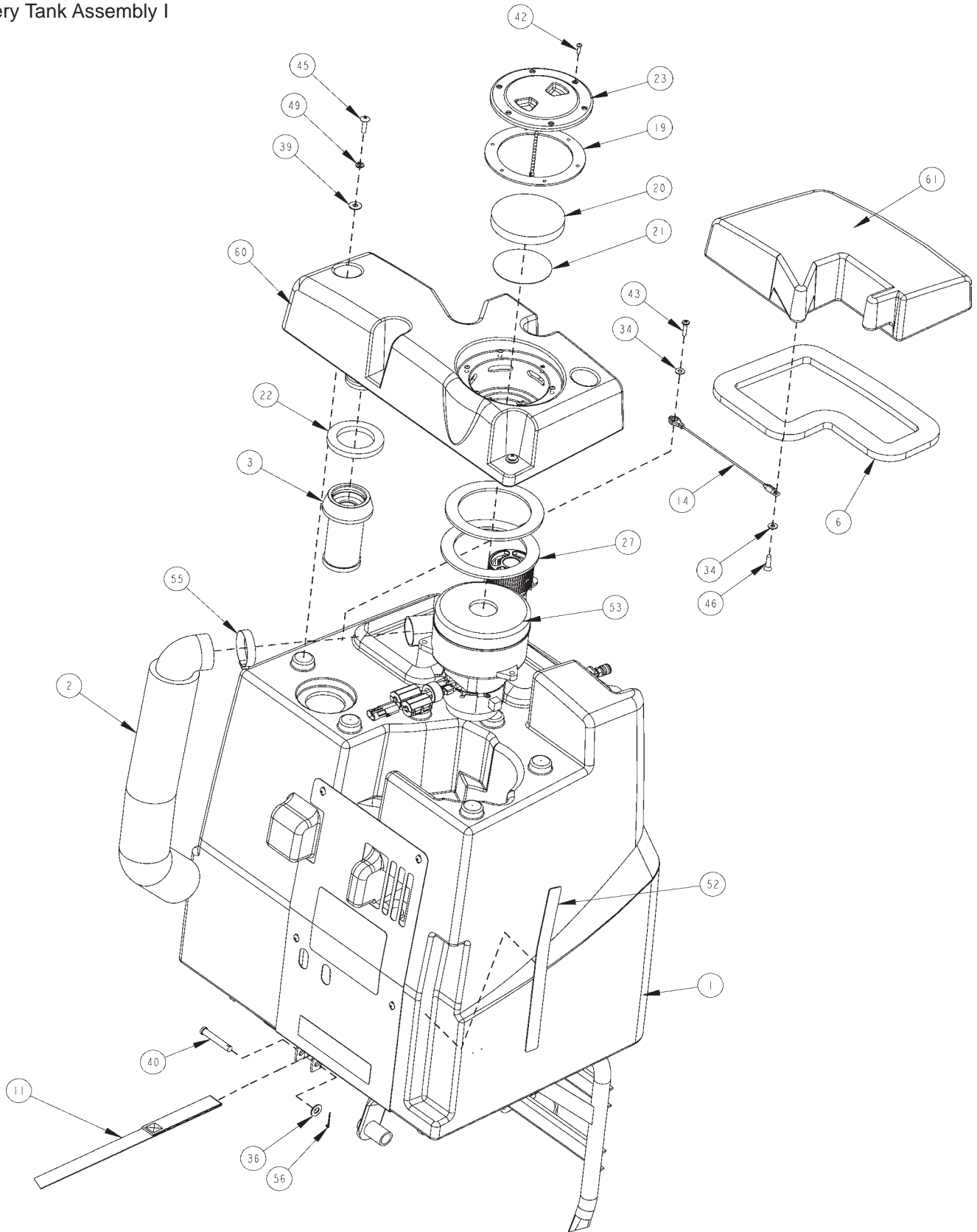
**Solution Tank Assembly
Pump Subassembly**



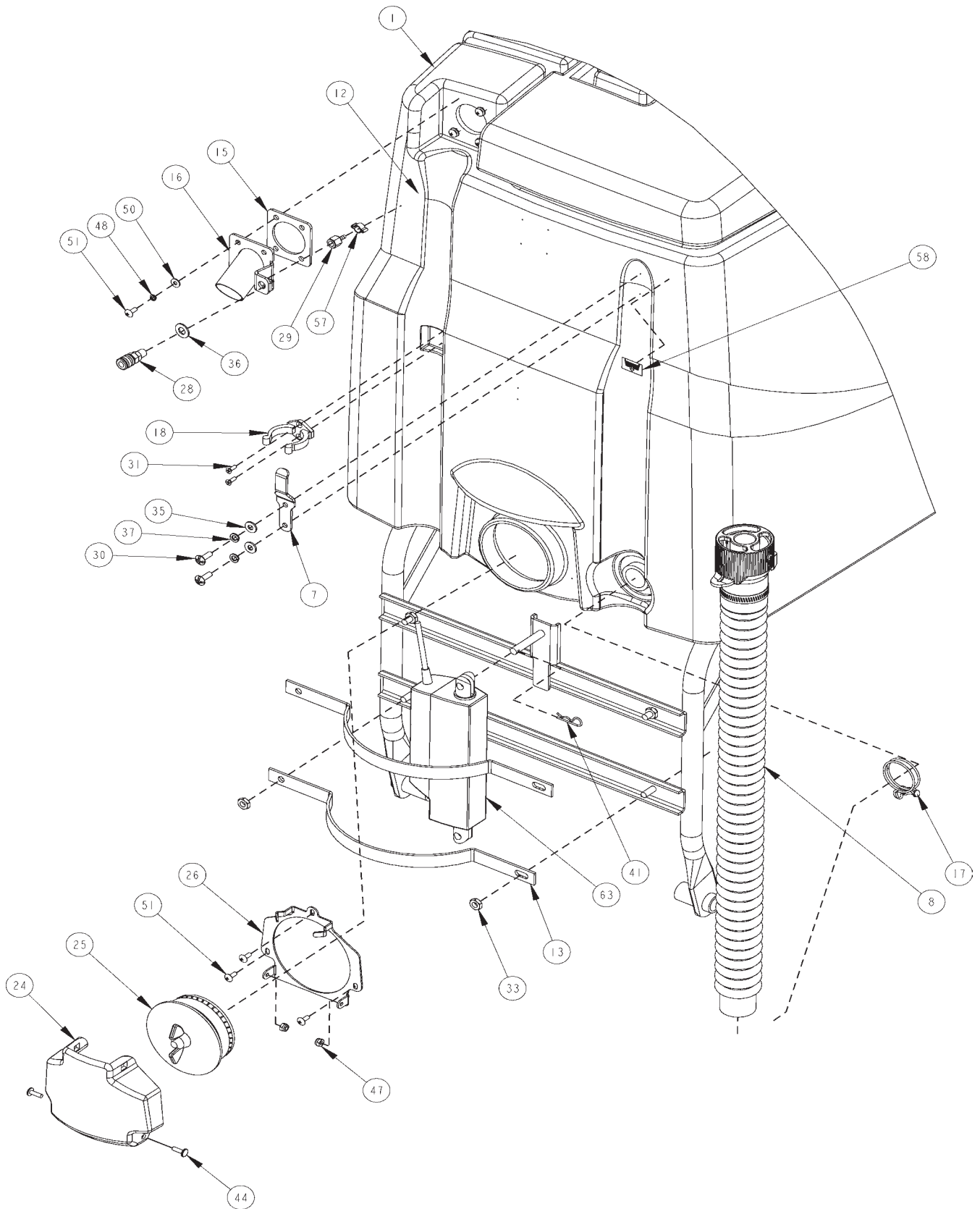
Solution Tank Assembly
 Pump Subassembly BOM

BILL OF MATERIAL - 241098			
ITEM	PART NO.	REQ'D	DESCRIPTION
1	210409	1	FITTING-3/8MPT 3/8FPT BRASS
2	241096	1	HOSE 3/8 x 45" WIRE REINFORCED, SCV 24/26
3	241097	1	HOSE 3/8 x 31 WIRE REINF, SCV 24/26
4	241430	1	HOSE-NYLO REINF 1/8 X 42"
5	281089	1	FILTER, IN-LINE
6	281090	1	FITTING BRASS 3/8" FPT TEE
7	281091	1	FITTING 3/8MPTx1/8 FPT REDUCER
8	281368	1	PUMP MOUNT PLATE
9	281369	1	PUMP SUPPORT PLATE
10	281388	1	PUMP MTG PLATE
11	320254	2	HOSE 3/8 x 9.00" WIRE REINFORCED
12	342430	1	FITTING BRASS 3/8MPT X 3/8BARB
13	383327	4	ELBOW 1/2 MPT X 3/8 BARB
14	383332	1	FITTING BRASS 3/8 NIPPLE
15	450040	1	FITTING 90 3/8 MPT X 3/8 BARB
16	450076	3	CLAMP-CRIMP 185R SS
17	450221	1	COUPLER-QUICK CONNECT
18	450279	2	Q.C. COUPLING NIPPLE (MALE X 1/8 BARB)
19	711503	8	WSR, FLAT#10
20	711504	4	WSR-FLAT 1/4 ID SS
21	711553	4	WSR- INTERNAL LOCK #10
22	712531	4	SCR-MC 10-24 X 1.00 SS
23	712565	4	SCR-MC 1/4-20X.63 SS TR HD
24	712638	4	NUT, HEX 10-24 SS NYLOC
25	712758	4	WSR-HELICAL 1/4 SS
26	828062	2	CABLE TIE LARGE
27	829129	3	CLAMP-HOSE, WORM-DRIVE FOR 8-22MM HOSE DIA., 5/16" WIDE
28	830062	1	FITTING-90 3/8MPT 3/8FPT BRASS
29	830082	2	HOSE CLAMP 3/8
30	742709-2	1	PUMP ASSEMBLY-SCV
31	742718-1	1	SOLENOID, 36V WATER

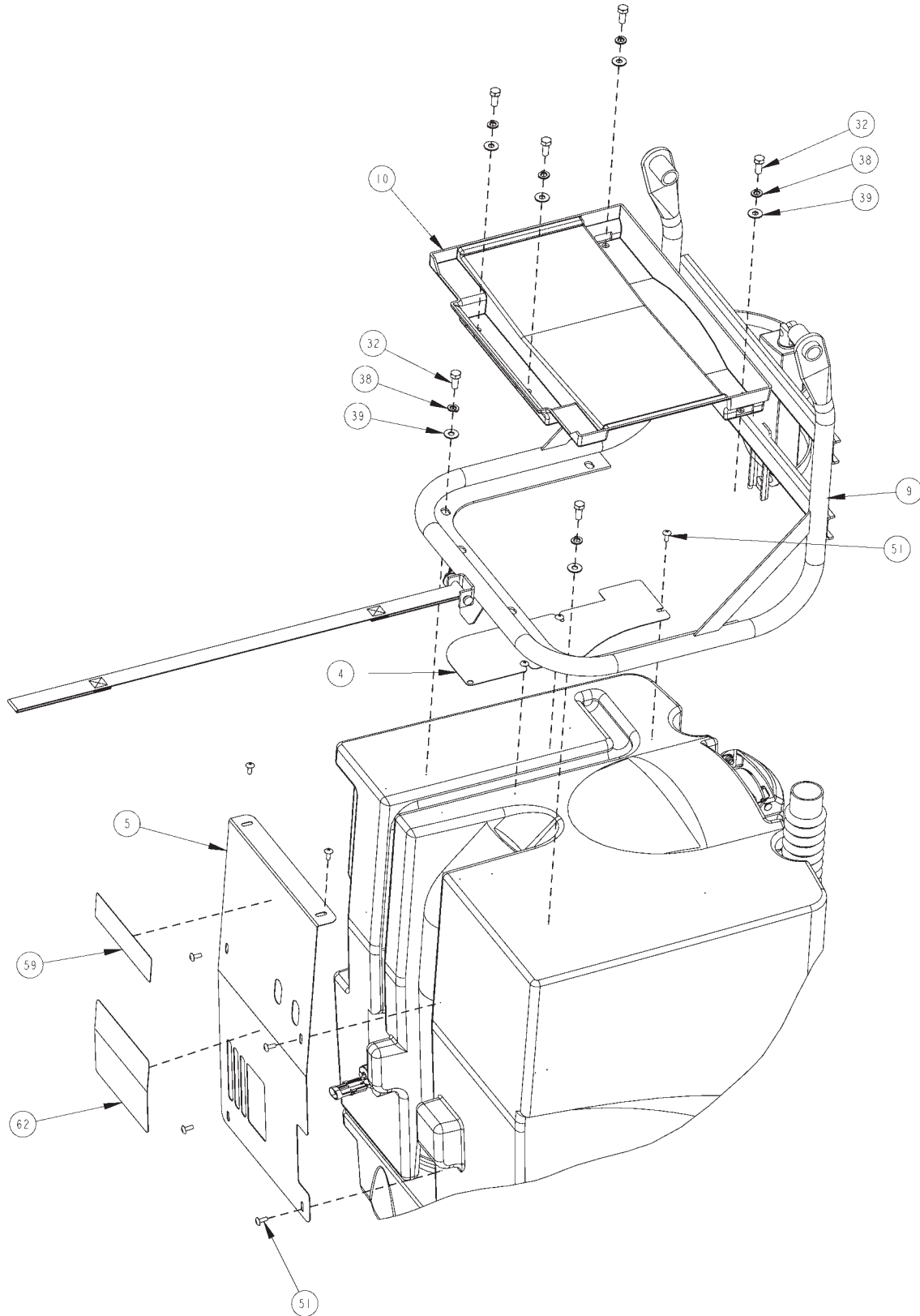
Recovery Tank Assembly
Recovery Tank Assembly I



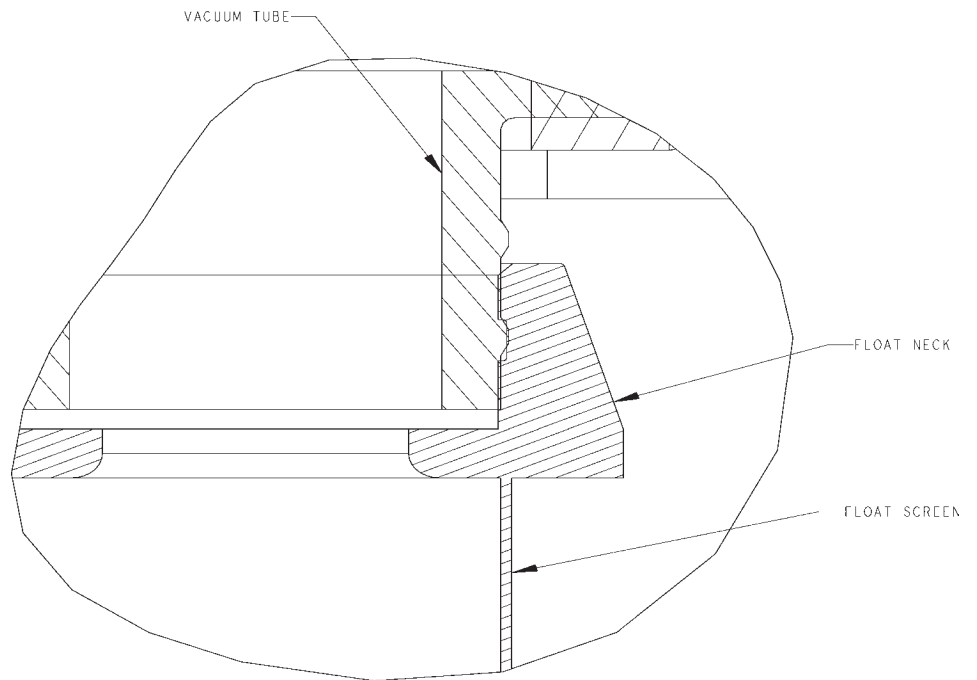
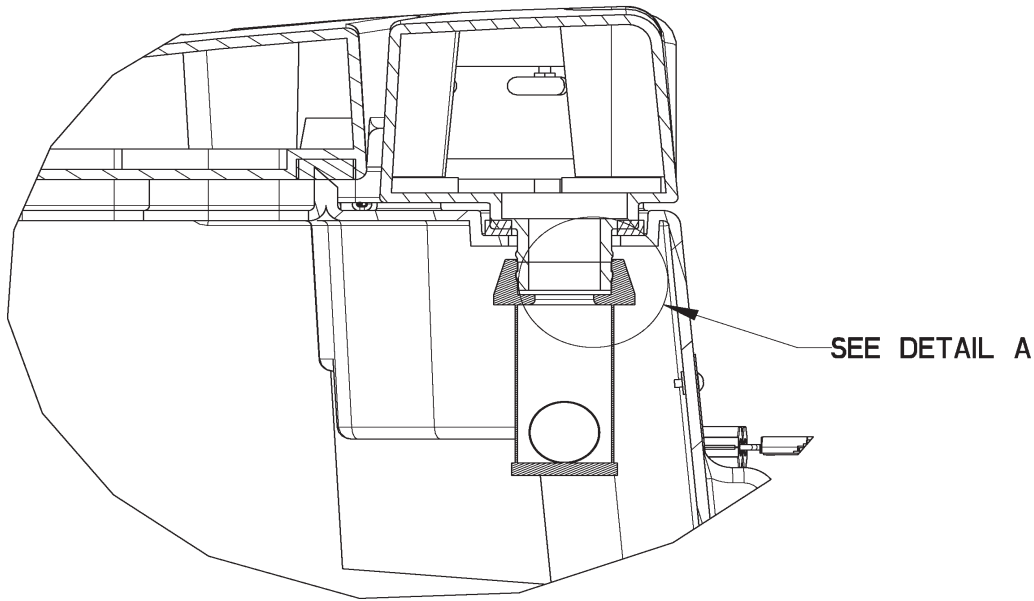
Recovery Tank Assembly II



Recovery Tank Assembly III



SCREENED FLOAT ATTACHMENT

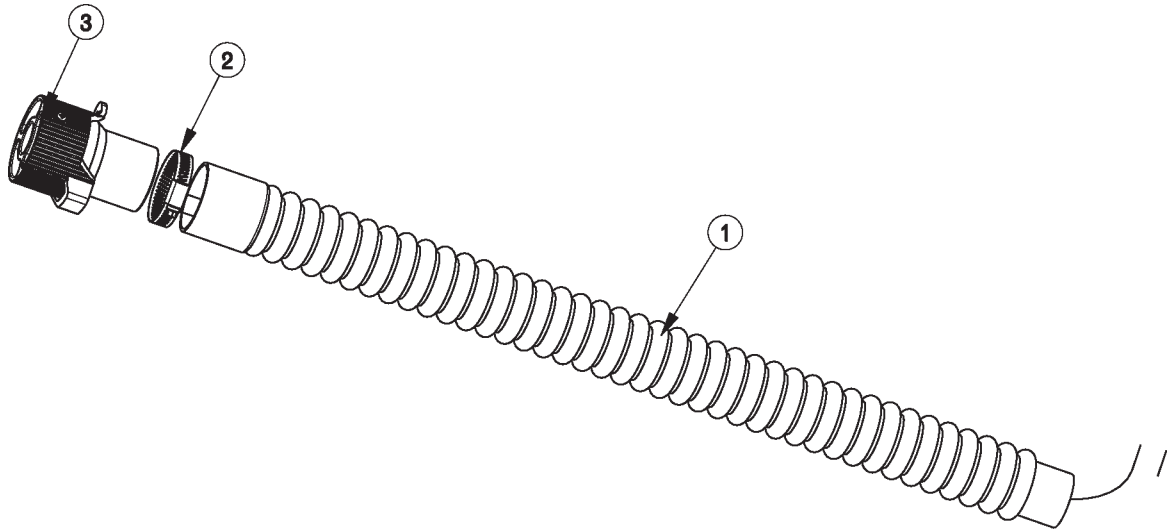


GROOVE IN FLOAT NECK SHOULD FIT AROUND THE VACUUM TUBE LOWER PROTRUSION.

DETAIL A

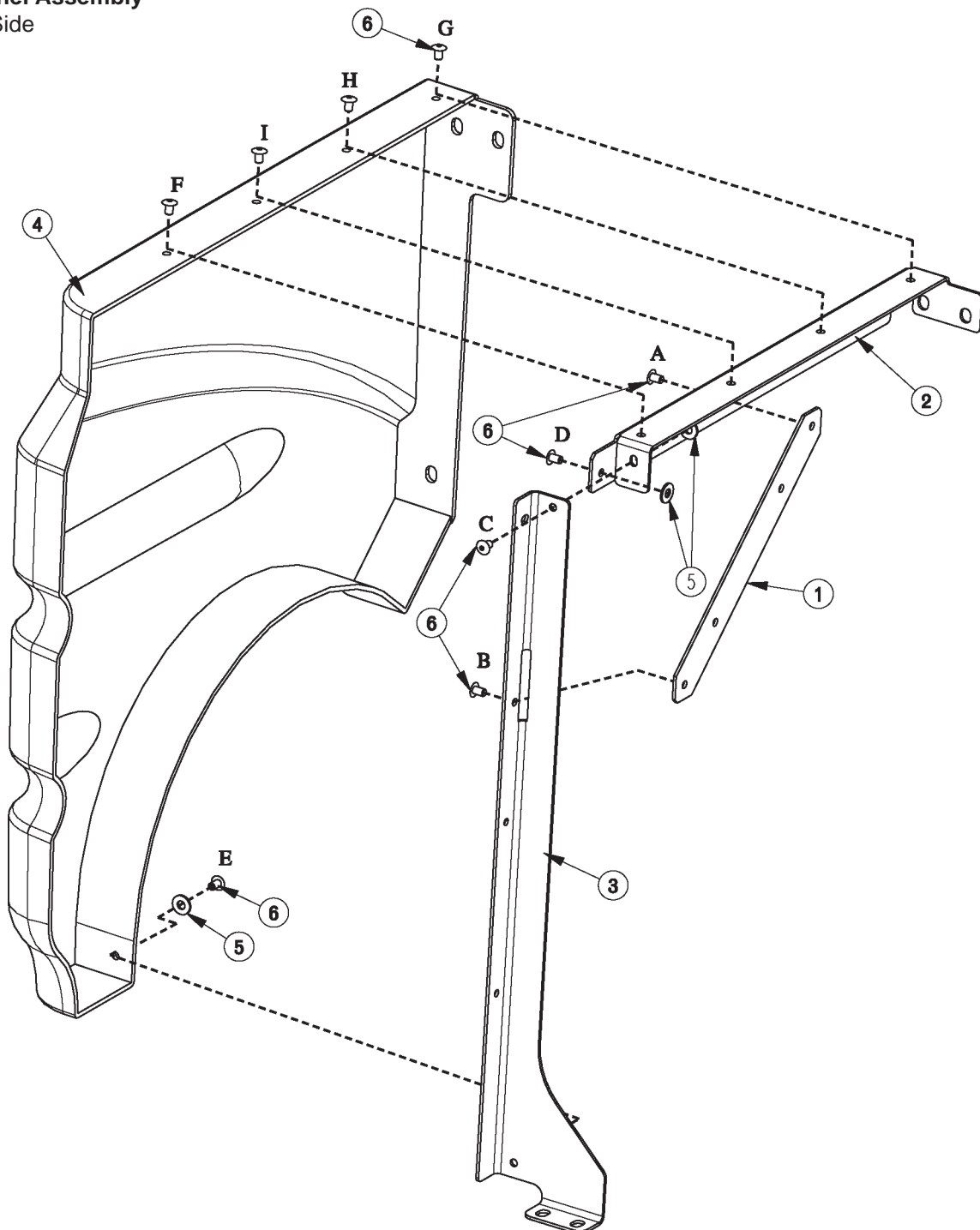
Recovery Tank Assembly BOM (see Recovery Tank Assembly I, II, III, & IV)

BILL OF MATERIAL - 241013M			
ITEM	PART NO.	REQ'D.	DESCRIPTION
1	241003	1	RECOVERY TANK, SCV 24/26
2	241049	1	MUFFLER-VAC MOTOR, SCV 24/26
3	241060	1	FLOAT, SCREENED W/ BALL
4	241076	1	VAC WIRE COVER, SCV 24/26
5	241099	1	EXHAUST/VAC WIRE COVER, SCV 24/26
6	241193	1	REMOVABLE LID GASKET, SCV 24/26
7	241235	1	BRACKET - SCV 2426, RECOVERY DRAIN HOSE
8	241243	1	RECOVERY TANK DRAIN HOSE ASSY - SCV 2426, WITH HAKO VALVE
9	241362	1	WELD-RECOVERY FRAME - SCV 2426
10	241420	1	EXHAUST DIVERTER, SCV 24/26
11	241433	1	STRAP-SAFETY, REC TANK
12	241435	1	HOSE-NYLO REINF 1/8 X 65"
13	241519	2	ACTUATOR PROTECTOR BKT, CURVED, SCV2426
14	241704	1	ASSY, LANYARD, RECOVERY TANK, SCV 24/26
15	241803	1	GASKET-WELD INLET SCV 24/26
16	241805	1	WELD-PIPE REC TANK VAC INLET (OAW) SCV 24/26
17	260203	1	CLAMP-HOSE 102120 MURRAY
18	260579	1	CLIP-TOOL 1.5 INCH HOSE
19	281018	1	GASKET, NEOPRENE 5.90 X 4.50 X .125
20	281055	1	VAC MOTOR FILTER
21	281056	1	SCREEN-VAC MOTOR INLET
22	281073	1	INLET GASKET
23	281423	1	FILL CAP W/CHAIN ASSY, 4.00
24	320835	1	COVER-DUMP CAP ES2832
25	320838	1	STOPPER PLUG ASM - 4"
26	320839	1	DUMP COVER SUPPORT RING
27	380035	2	GASKET, 4.31 X 5.81 X.19
28	450221	2	COUPLER-QUICK CONNECT
29	450223	2	FITTING-1/8FPT 1/8BARB BRASS
30	710180	2	SCR-MC TR HD 1/4-20 X .75 ZINC
31	710530	2	SCR-MC 8-32 X .50 BRS
32	711228	6	BLT-HH 5/16-18 X .75 STL ZINC
33	711420	4	NUT-HEX JAM 5/16-18 STPL
34	711504	2	WSR-FLT 1/4 SS
35	711505	2	WSR-FLT 1/4
36	711515	2	WSR-FLT .406 X .812 X .0625
37	711544	2	WSR-HELICAL 1/4
38	711545	6	WSR-HELICAL 5/16
39	711575	12	WSR-FLT .31 X .75 X .06 STL
40	711678	1	PIN-CLEVIS 3/8 X 2 1/4
41	711808	1	PIN-HAIRPIN COTTER #13
42	712516	6	SC-BHCS 8-32 X .62 SS
43	712532	1	SCR-MC 10-24 X 1.00 SS
44	712536	2	SCR-MC 10-24 X .62 SS TR HD
45	712541	6	SCR-TR HD 1/4-20 X 1.0 SS
46	712563	1	SCR-MC 1/4-20 X 1.00 SS
47	712638	2	NUT HEX 10-24 SS NYLOC
48	712757	4	WSR-HELICAL #10 SS
49	712758	6	WSR-HELICAL 1/4 SS
50	712764	4	WSR #10 SS
51	712822	16	SCR-MC 10-24 X .50 SS TR
52	715717	1	DECAL-OVERFILL SIGHT GAUGE SCV 24/26
53	742773	1	VAC MOTOR ASSY, SCV2426 CE
53A	741008	2	CARBON BRUSHES (SET OF TWO)
54	748251	1	HARNESS ASY, RECOVERY TANK B100R/SCV2426 (NOT SHOWN)
55	760859	1	CLAMP-HOSE
56	809311	1	PIN-COTTER 7/64 X 1
57	830082	2	CLAMP-HOSE 3/8
58	17264888	1	DECAL - VALVE OPERATION, RECOVERY DRAIN HOSE
59	17267139	1	DECAL - EXPLOSIVE GASES (BATTERY) WARNING, MULTI LANGUAGE
60	241006HG	1	RECOVERY TANK FIXED LID - SCV 2426, HAKO GREY
61	241007HG	1	RECOVERY TANK REMOVABLE LID - SCV 2426, HAKO GREY
62	715218-1	1	DECAL-BATTERY B100R/SCV2426
63	740821-1	1	ACTUATOR ASSEMBLY, 70mm 300N 24/36VDC



BILL OF MATERIAL - 241243			
ITEM	PART NO.	REQ'D.	DESCRIPTION
1	200355	1	HOSE - DRAIN, CONVOLUTED, 1.50 X 2.00 X 34"L, BLACK, EPDM
1	241363	1	HOSE CLAMP - WORM DRIVE, SAE #28, ALL 300 SERIES STAINLESS
1	97103519	1	VALVE - DRAIN, 1/4 TURN, PLASTIC

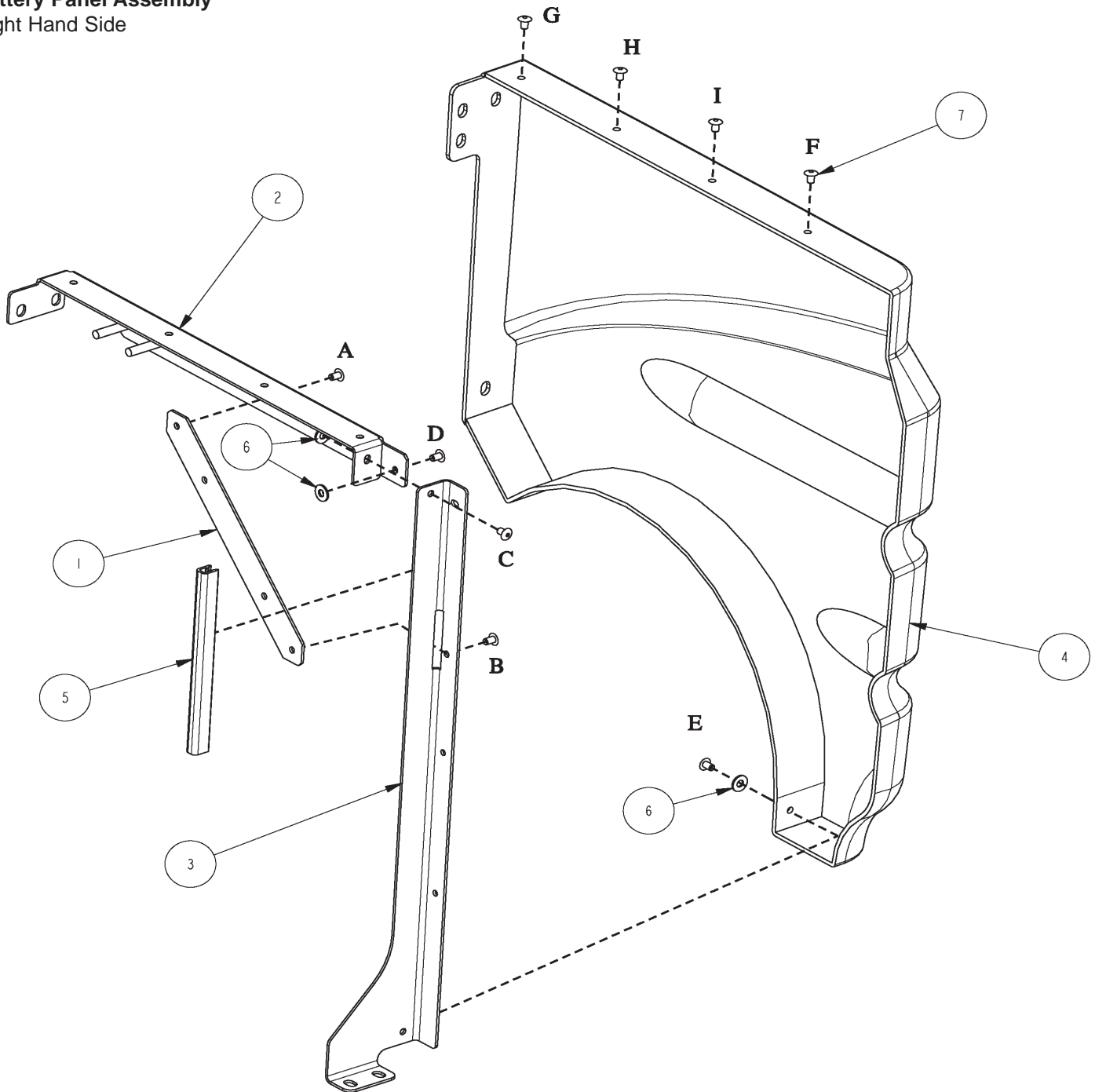
Battery Panel Assembly
Left Hand Side



BILL OF MATERIAL - 241218

ITEM	PART NO.	REQ'D	DESCRIPTION
1	241187	1	DIAGONAL BRACE - SIDE COVER, SCV 2426
2	241188	1	BRACKET - SCV 2426, BATTERY COVER, LH
3	241189	1	BRACE (VERTICAL) - SIDE PANEL FRAME, SCV 2426, LEFT
4	241228	1	LH BATTERY PANEL, SCV 24/26
5	711503	3	WSR, FLAT#10
6	711903	9	RIVET-POP 3/16"

Battery Panel Assembly
Right Hand Side

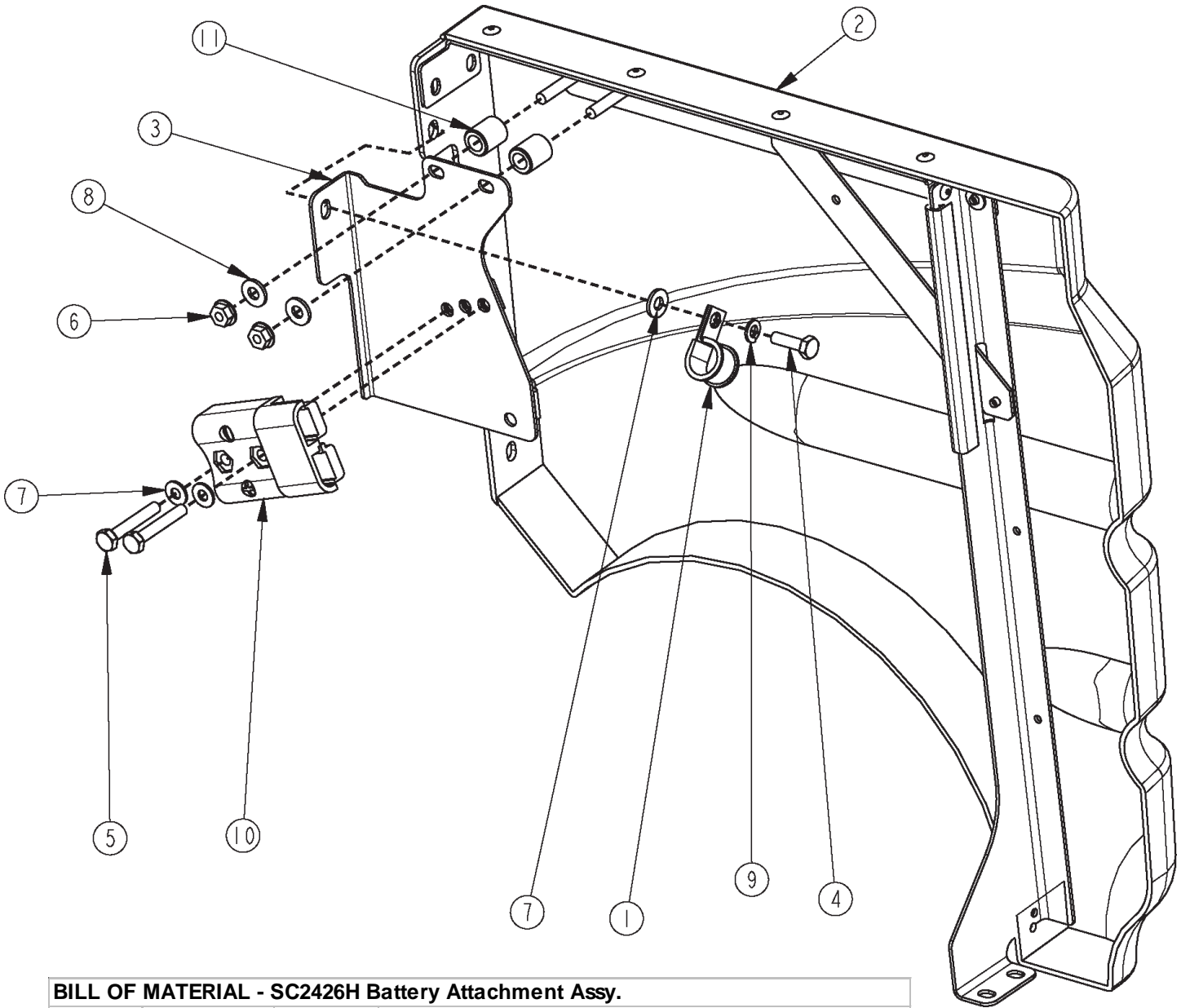


BILL OF MATERIAL - 241219

ITEM	PART NO.	REQ'D	DESCRIPTION
1	241187	1	DIAGONAL BRACE - SIDE COVER, SCV 2426
2	241190	1	BRACKET - SIDE COVER, SCV 2426, RH
3	241191	1	BRACE (VERTICAL) - SIDE PANEL FRAME, SCV 2426, RIGHT
4	241229	1	RH BATTERY PANEL, SCV 24/26
5	241415	1	EDGE TRIM - VINYL, DOUBLE LIP, W/ METAL CORE, BLACK, 6" LENGTH
6	711503	3	WSR, FLAT#10
7	711903	9	RIVET-POP 3/16"

Battery Panel Assembly

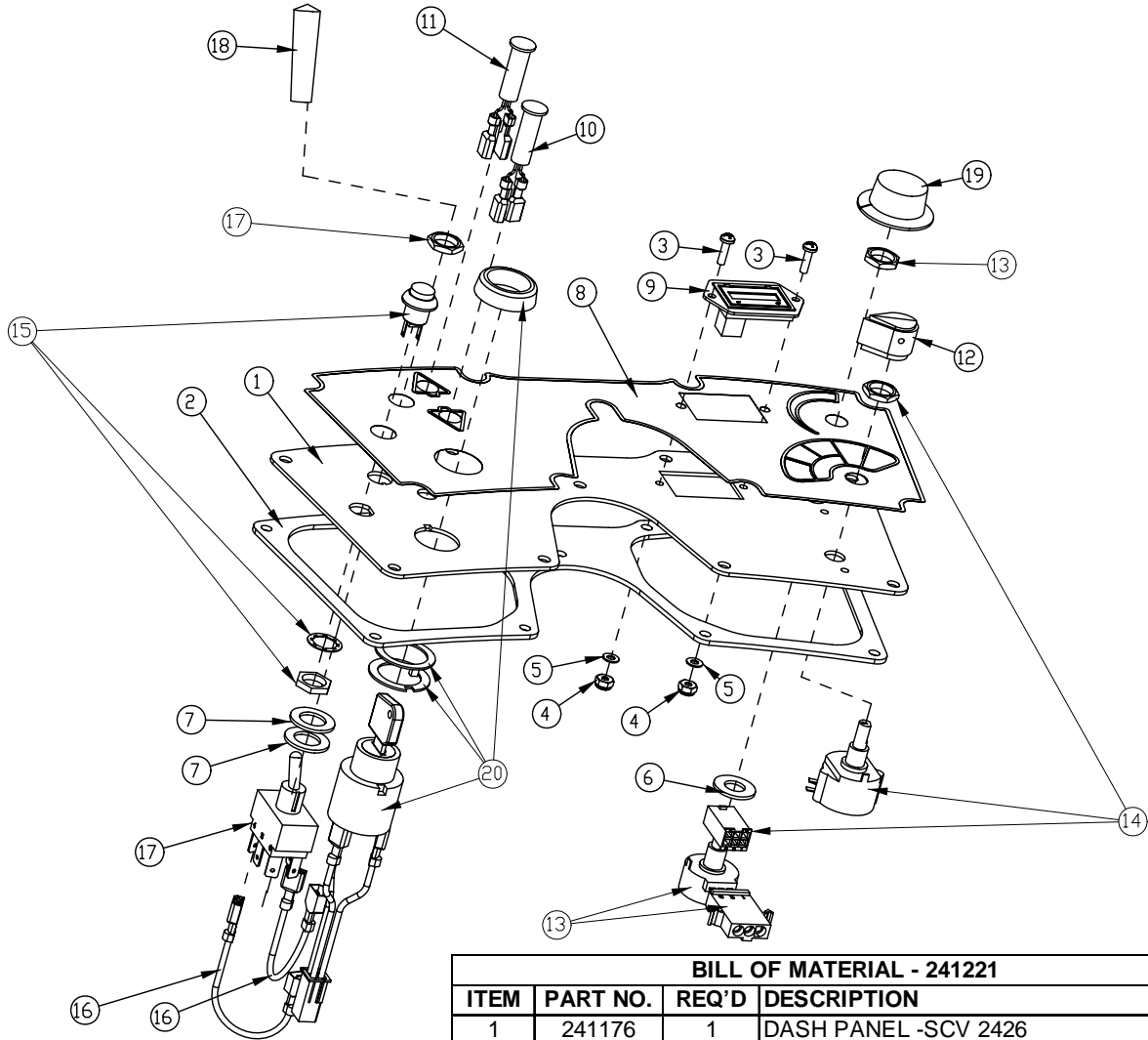
Right Hand Side-SC2426H BATTERY ATTACHMENT ASSY.



BILL OF MATERIAL - SC2426H Battery Attachment Assy.

ITEM	PART NO.	REQ'D	DESCRIPTION
1	82-54-A	1	CLAMP, MS21333-114
2	241219	1	BATTERY COVER ASSEMBLY RH, SCV 2426
3	241371	1	BRACKET - BATTERY CONNECTOR, SCV 2426
4	711206	1	BLT-HH 1/4-20 X .87 STL ZINC
5	711213	2	BLT - HH 1/4-20 X 1.62
6	711425	2	NUT, HEX 1/4-20 WIZNUT
7	711504	2	WSR-FLAT 1/4 ID SS
8	711505	3	WSR-FLAT 1/4 ID SS
9	711544	1	WSR-HELICAL 1/4
10	740147	1	CB 175 GRAY HOUSING
11	840118	2	BUSHING - 3/8 ID X .625 OD X .75 L, STEEL, ZINC PL

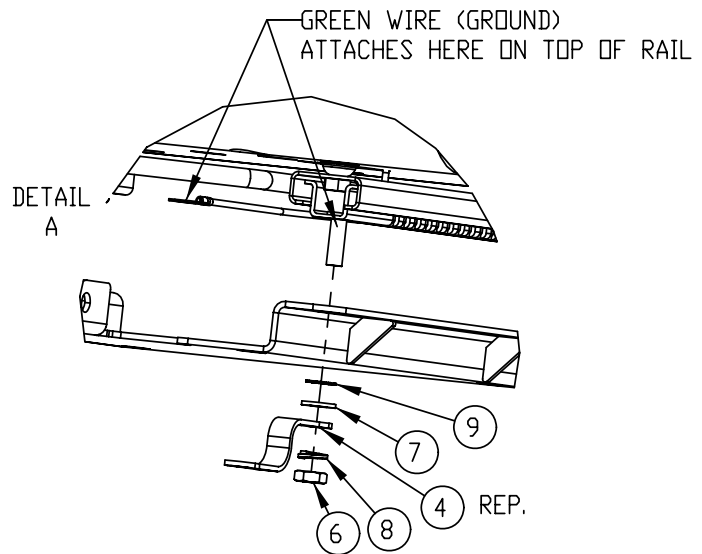
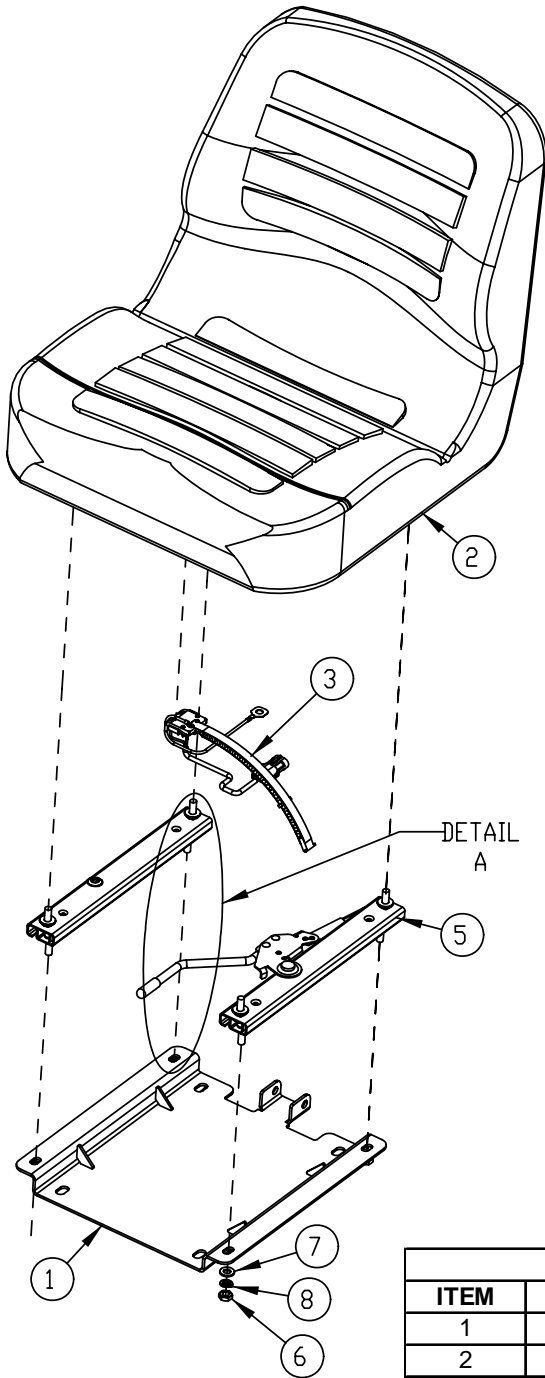
Dashboard Assembly



BILL OF MATERIAL - 241221

ITEM	PART NO.	REQ'D	DESCRIPTION
1	241176	1	DASH PANEL -SCV 2426
2	241211	1	GASKET - DASH PANEL
3	710204	2	SCR-MC 6-32 X .50 ST PL PAN HD
4	711371	2	NUT-NYLOC 6-32 STL ZINC
5	711501	2	WSR-FLAT # 6
6	711515	1	WSR-FLAT .406 X .812 X .0625
7	712310	2	WSR- FLAT .52 X .87 X .06 PL
8	715640	1	DECAL, DASHBOARD SCV2426
9	747011	1	BATTERY GAUGE, TRUCHARGE
10	747016-1	1	LED ASSY, RED 36VDC W/FEMALE QC
11	747017-1	1	LED ASSY, AMBER 36VDC W/FEMALE QC
12	747020	1	KNOB-MODE SELECTOR
13	747025	1	POTENTIOMETER ASSY WATER FLOW
14	747027	1	SWITCH ASSY, MODE SELECTOR
15	748047	1	SWITCH, PUSH BUTTON (HORN SCV 36V)
16	748259	2	WIRE ASY, 18G RED/VIOLET 2"
17	748286	1	SWITCH - TOGGLE, 2 POS ON/ON
18	748301	1	TOGGLE HANDLE EXTENSION
19	809874	1	KNOB, SPEED CONTROL
20	90323437-1	1	KEYSWITCH ASY, SWITCH PLUS WIRES

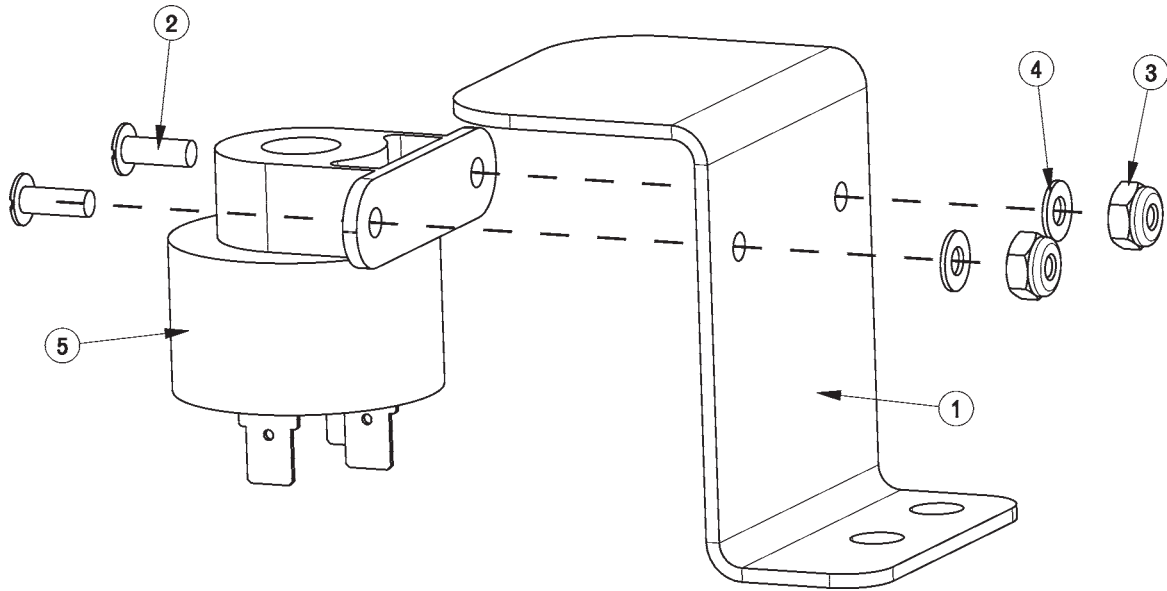
Seat Assembly



BILL OF MATERIAL - 241365-1

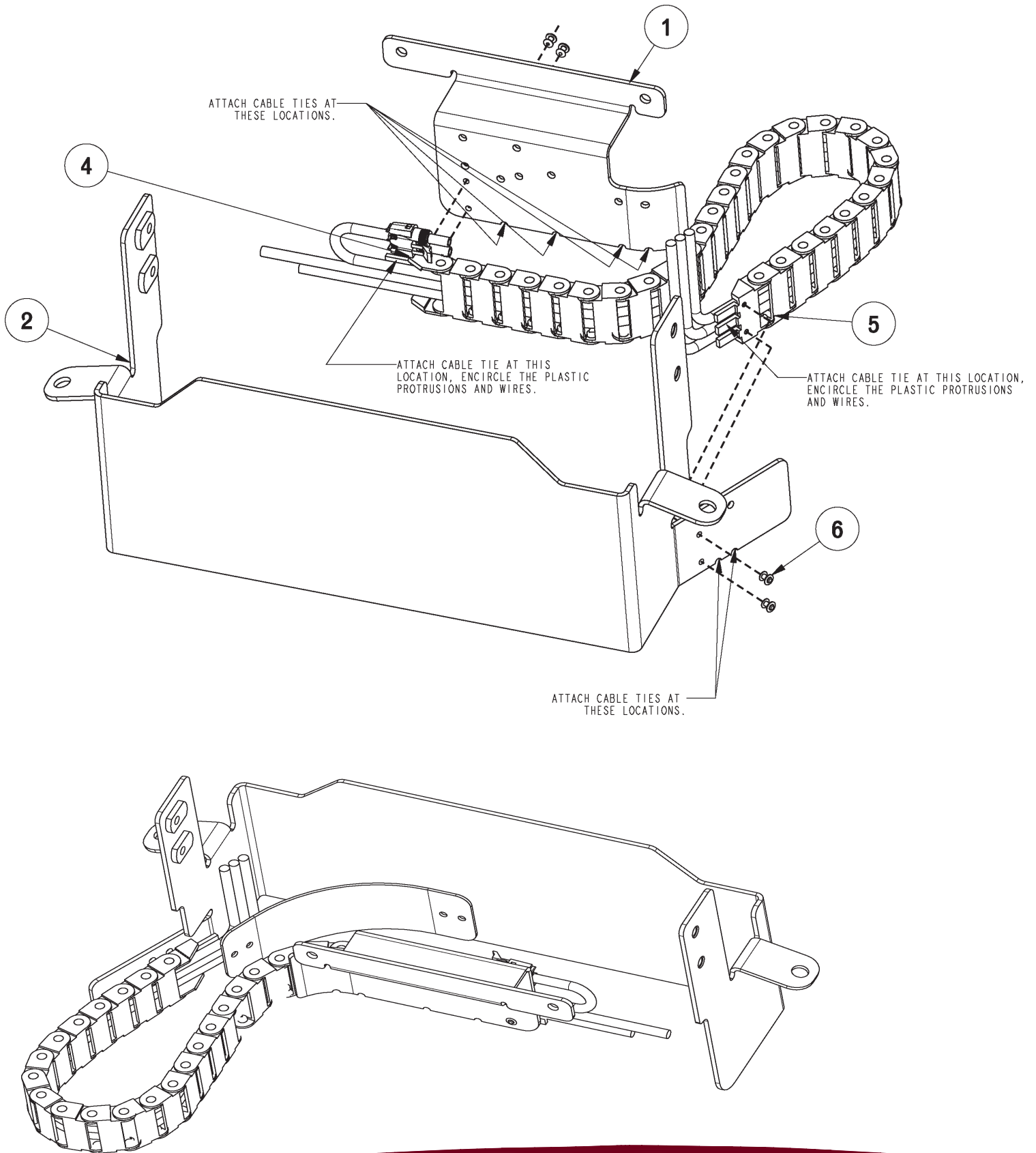
ITEM	PART NO.	REQ'D	DESCRIPTION
1	241376	1	SEAT BRACKET WMT, SCV 24/26
2	281085	1	ASS'Y SEAT, SUPER SUBURBAN
3	281087-3	1	SEAT SWITCH ASY, B100R/ERIDE W/PACK
4	748255	1	SEAT GROUND STRAP, SCV 24/26
5	281086	1	SLIDE ASS'Y KIT
6	711319	4	5/16-18 HEX NUT
7	711506	4	WSR-FLT .344 X .690 X .062 STL Z
8	711545	4	WSR-HELICAL 5/16
9	711565	1	WSR-EXTERNAL LOCK 5/16

Horn Assembly



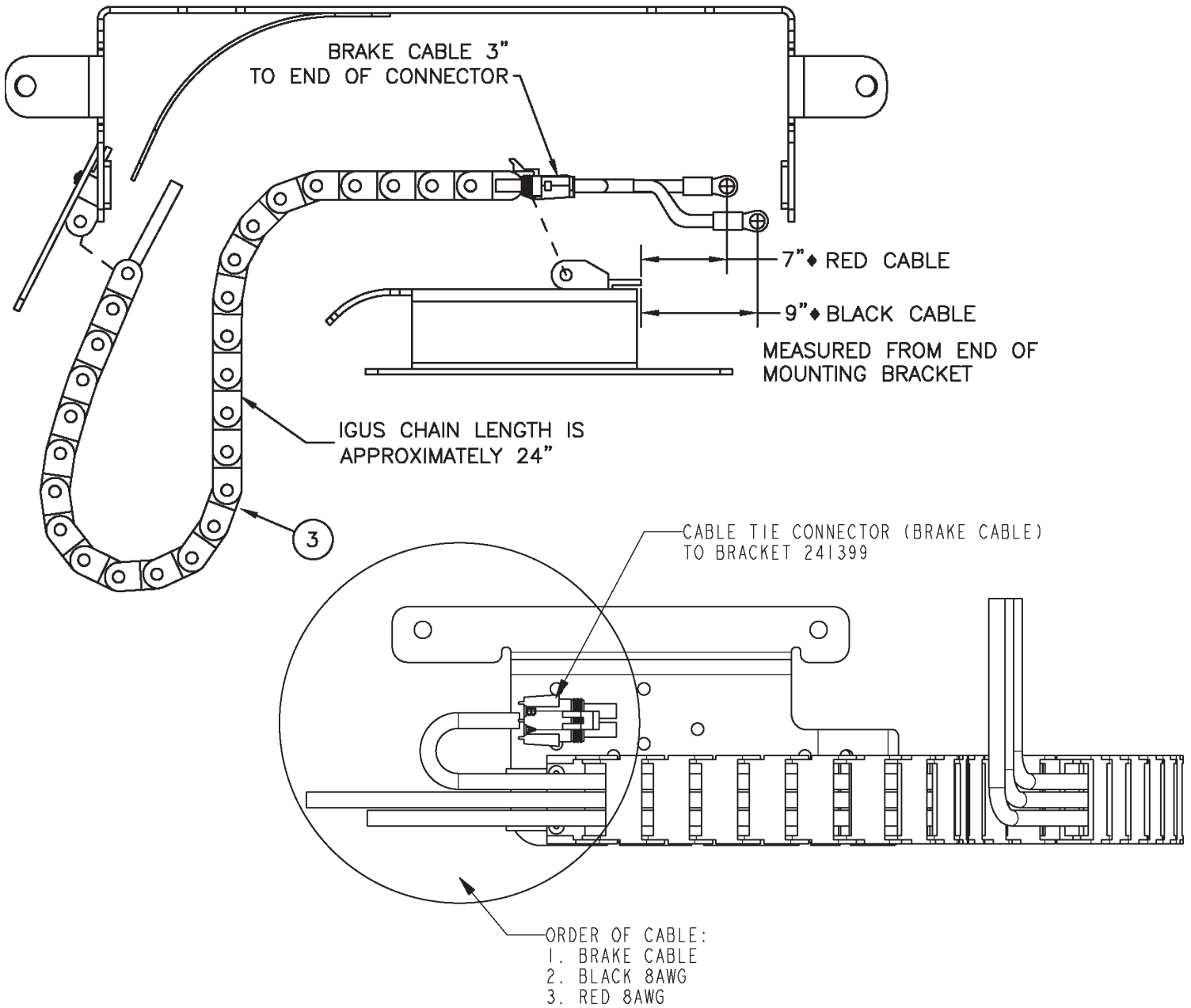
BILL OF MATERIAL - 241258			
ITEM	PART NO.	REQ'D	DESCRIPTION
1	241254	1	HORN BRACKET, SCV 2426
2	710203	2	SCR-MC 6-32 X .37 ST PL PAN HD
3	711371	2	NUT-NYLOC 6-32 STL ZINC
4	711501	2	WSR-FLAT # 6
5	748200	1	HORN / BACK UP ALARM, 9-48 VDC

Cable Guide Assembly



Cable Guide Assembly

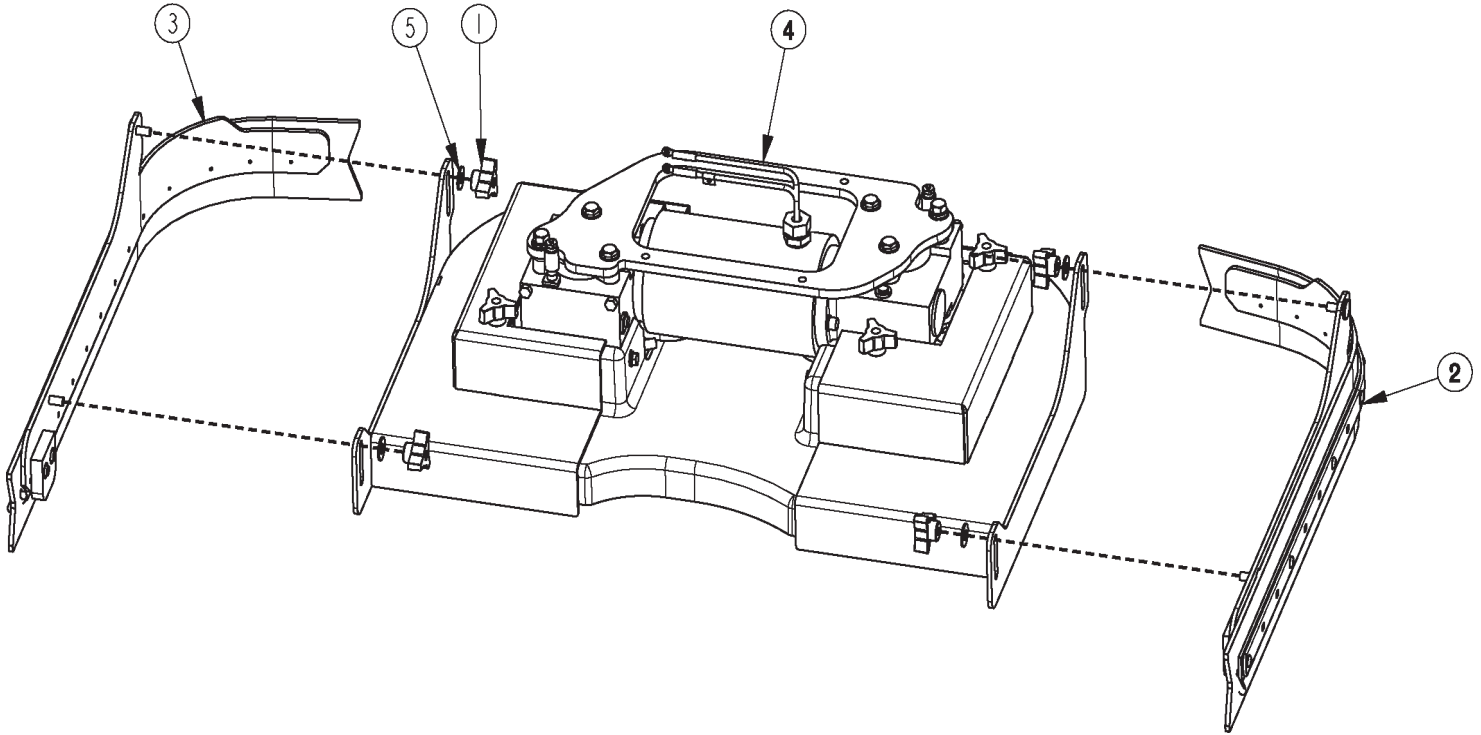
ATTACH 748218 TO MOUNT PIECES AS SHOWN
ORIENT CABLES WITHIN CHAIN



BILL OF MATERIAL - 748214

ITEM	PART NO.	REQ'D	DESCRIPTION
1	241399	1	BRACKET - DRIVE MOTOR CABLE
2	241567	1	BRACKET WELDMENT-MOTOR CABLE, E RIDE 2426
3	748218	1	WIRE HARNESS, DRIVE MOTOR E-RIDE/B100R
4	748219-2	1	CABLE GUIDE, MOUNT BRACKET-BORE
5	748219-3	1	CABLE GUIDE, MOUNT BRACKET-PIN
6	827666	4	RIVET-POP
7	828062-B	7	CABLE TIE LARGE-BLACK

Disc Scrubdeck Main Assembly

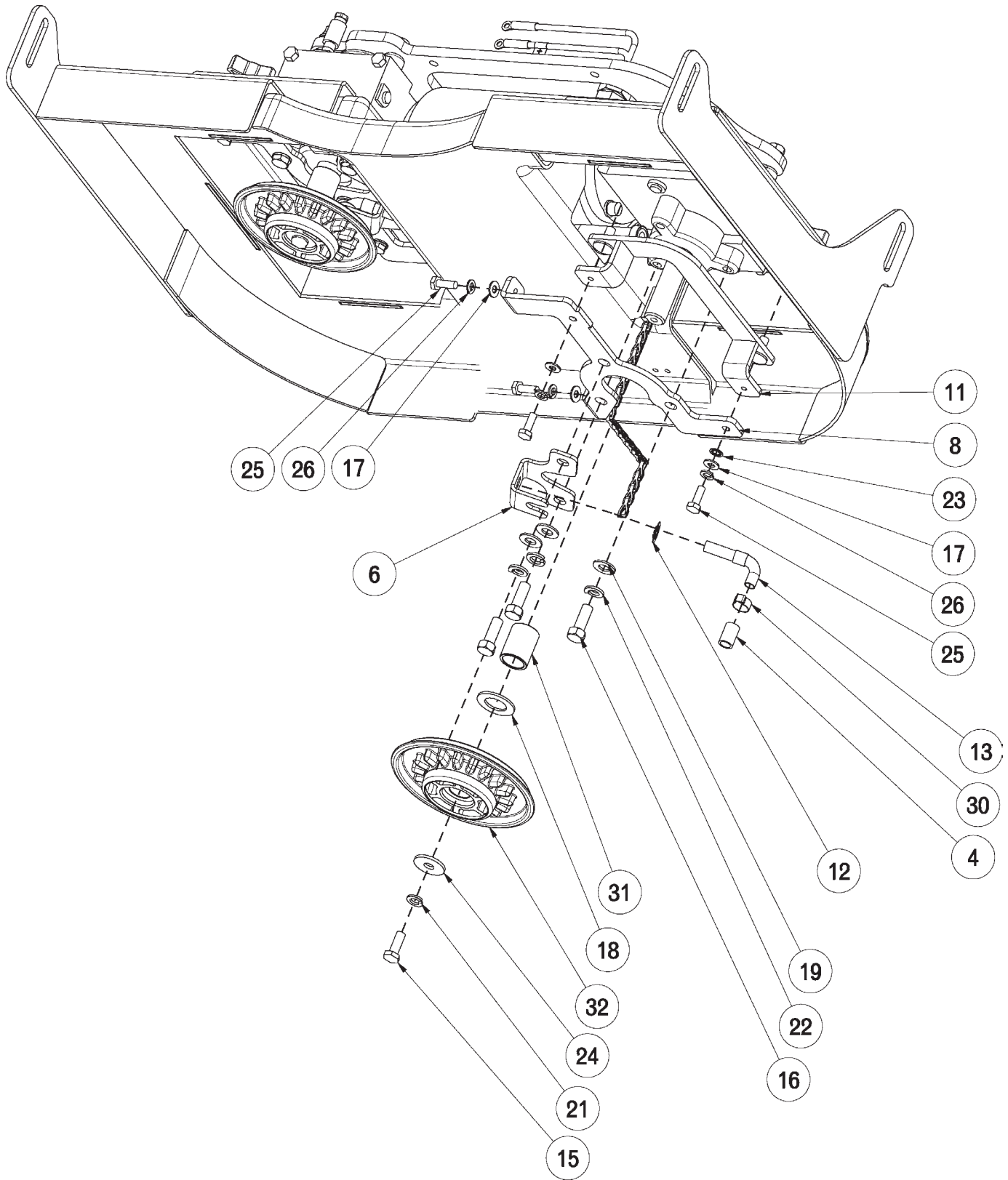


BILL OF MATERIAL - 241426

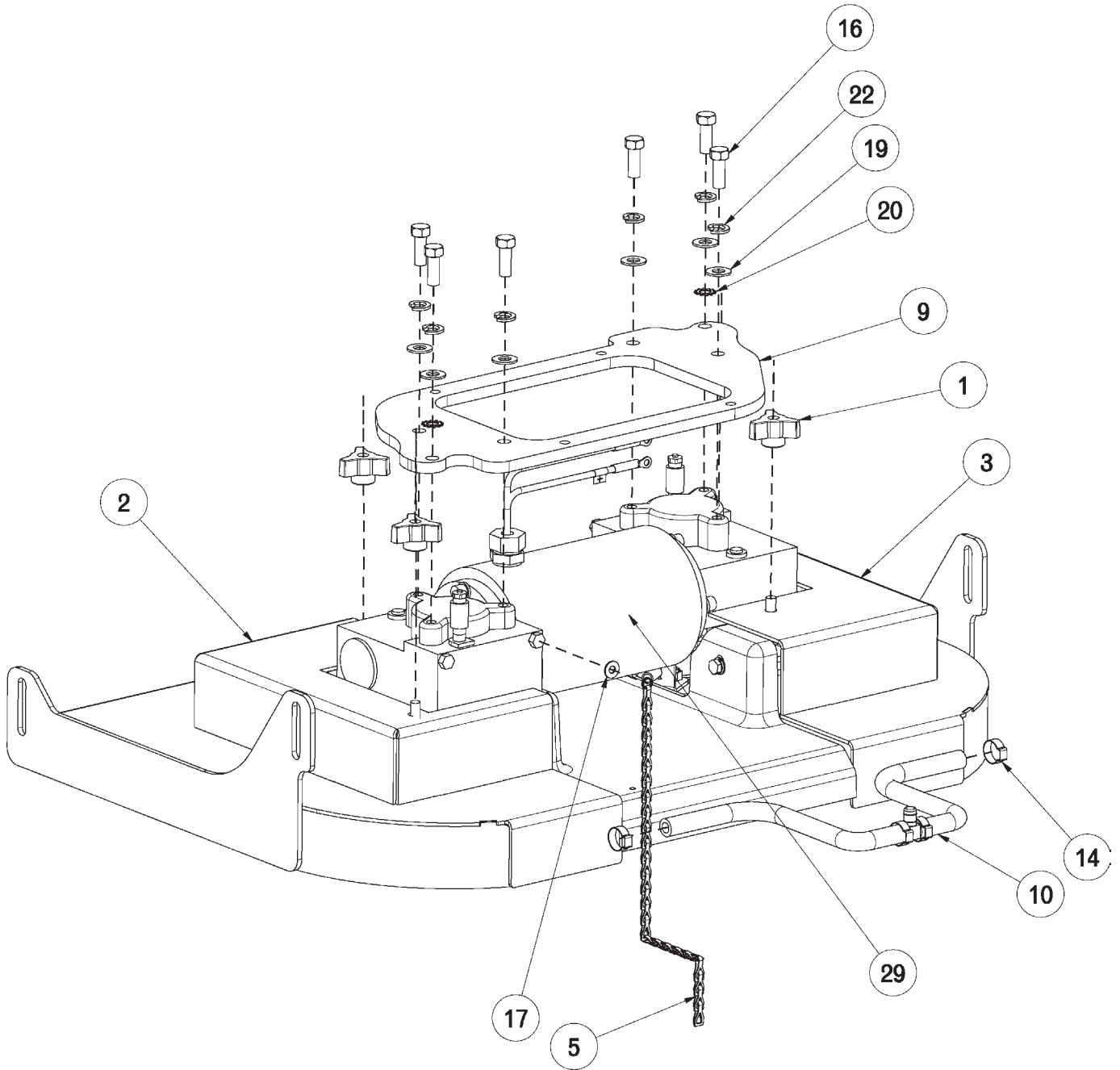
ITEM	PART NO.	REQ'D	DESCRIPTION
1	210118	4	KNOB-3 SIDED 5/16 NYLOC
2	241373	1	DISK SIDE SQUEEGEE ASSY - LH, E RIDE 2426
3	241374	1	DISK SIDE SQUEEGEE ASSY - RH, E RIDE 2426
4	241426-1	1	26" DISK SCRUBDECK ASSY W/O SQUEEGEE
5	712301	4	WSR-FLAT .37 X .87 X .06

Disc Scrubdeck Subassemblies

Disc Scrubdeck Subassembly I

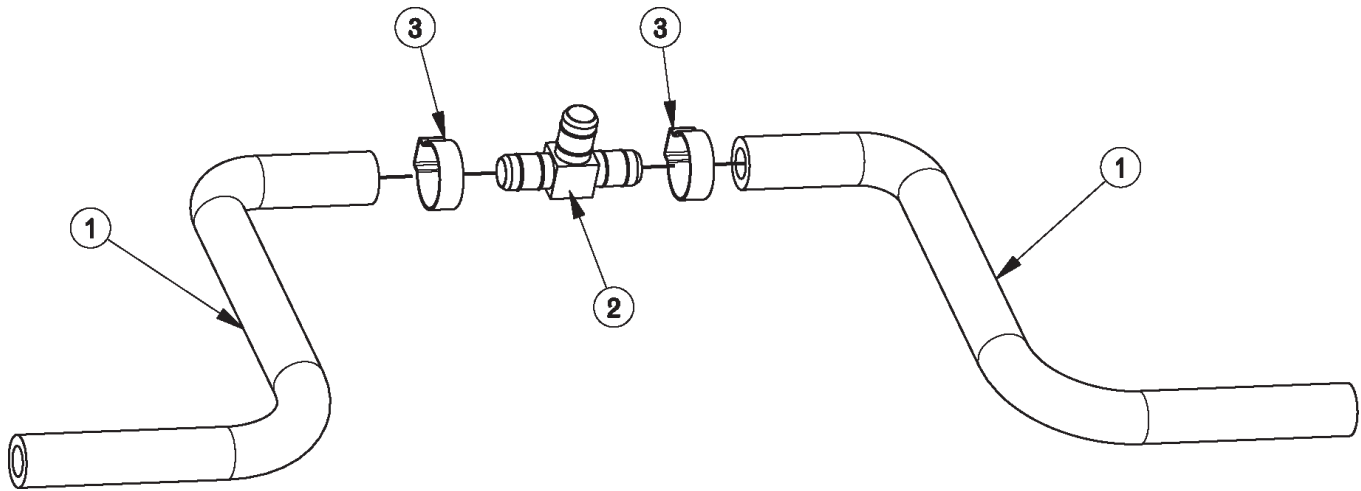


Disc Scrubdeck
Disc Scrubdeck Subassembly II



BILL OF MATERIAL - 241426-1			
ITEM	PART NO.	REQ'D	DESCRIPTION
1	210118	8	KNOB-3 SIDED 5/16 NYLOC
2	241378	1	DISK DECK COVER WELDMENT - LH, E RIDE 2426
3	241379	1	DISK DECK COVER WELDMENT - RH, E RIDE 2426
4	241447	2	HOSE - SPLASH GUARD
5	241628	1	DRAG CHAIN ASSY, DISK SCRUBDECK SCV24/26
6	241653	2	WATER FEED BRKT, DISK, SCV24/26
7	241655	1	MOTOR SHROUD 26" DECK
8	241657	2	MOUNTING BRACKET, MOTOR COVER
9	241660	1	DISK SCRUBDECK MNTG PLATE, 26"
10	241661	1	SOL. FEED HOSE SUB-ASS'Y, DISK
11	241662	2	COVER MNT BRK'T, SCV 24/26 ASSY
12	281633	2	SPEED NUT - 3/8"
13	281634	2	DISK SOLUTION FEED ASSY
14	450076	2	CLAMP-CRIMP 185R SS
15	711229	2	BLT-HH 5/16-18 x .875
16	711242	12	BLT-HEX 3/8 -16X1.00 ZP
17	711504	9	WSR-FLAT 1/4 ID SS
18	711512	2	WSR-FLAT .75X1.37X.08
19	711515	12	WSR-FLAT .406 X .812 X .0625
20	711539	2	WSR-EXTERNAL LOCK 3/8
21	711545	2	WSR-HELICAL 5/16
22	711546	12	WSR-HELICAL 3/8
23	711554	2	WSR-INTERNAL LOCK 1/4 ID
24	711855	2	WSR-FLT .37X1.12X.10 STL Z HARD
25	712301	4	WSR-FLAT .37 X .87 X .06
26	712562	8	BOLT-HH 1/4-20X3/4 SS
27	712758	8	WSR-HELICAL 1/4 SS
28	740099	3	CABLE TIE - SMALL
29	748141	1	CABLE WRAP, 11"
30	748211-2	1	MOTOR, 26" DUAL RIGHT ANGLE
31	828490	2	CRIMP CLAMP 140R
32	840134	2	SPACER , HAKO DISC DRIVE HUB
33	90542572	2	DRIVE HUB - SCRUBBER, DISK

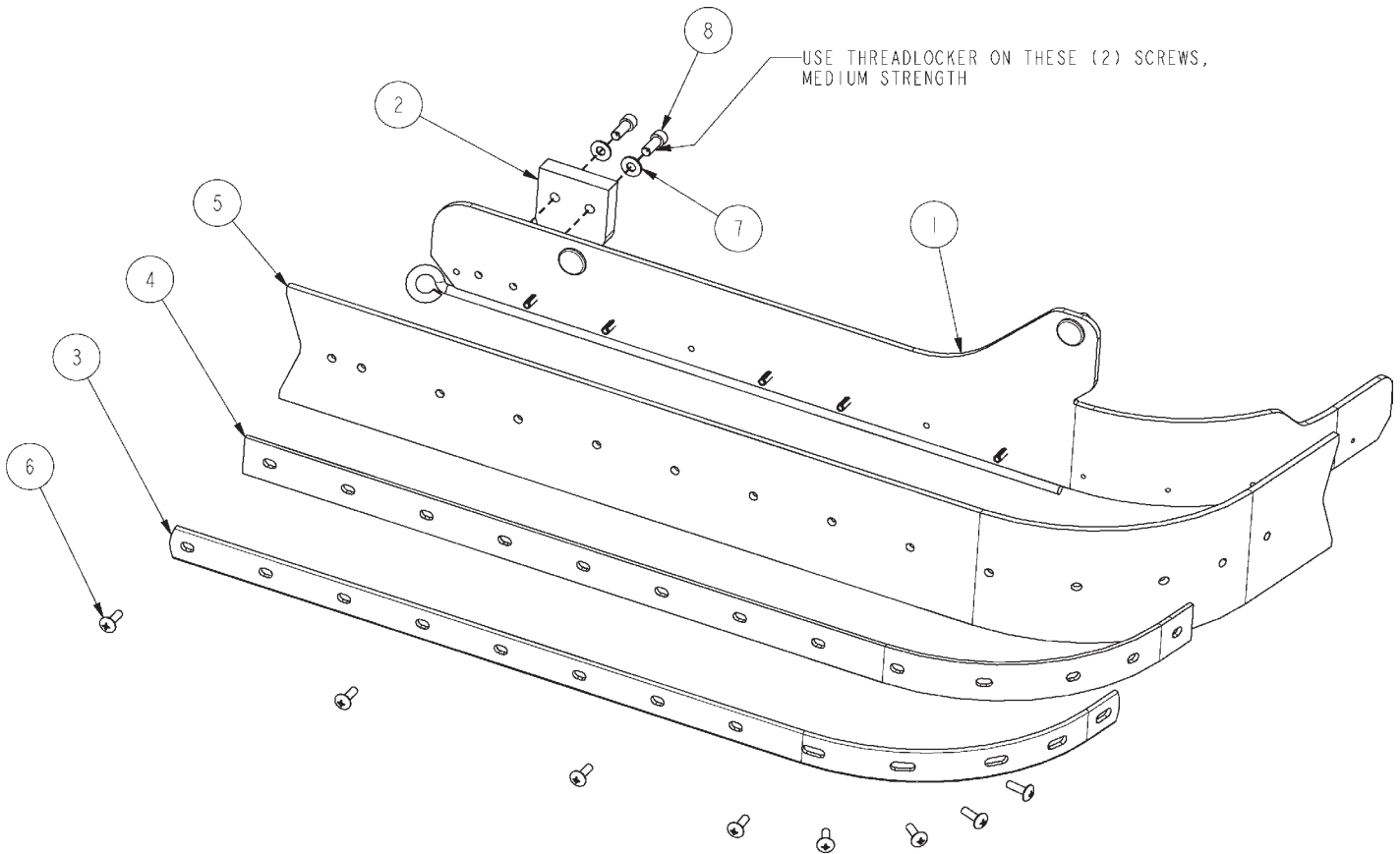
Disc Scrubdeck
 Solution Feed Hose Subassembly



BILL OF MATERIAL - 241661			
ITEM	PART NO.	REQ'D	DESCRIPTION
1	241665	2	SOL. FEED END HOSE
2	320266	1	FITTING BRASS TEE DBL 3/8 BARB
3	450076	2	CLAMP-CRIMP 185R SS

Disc Scrubdeck

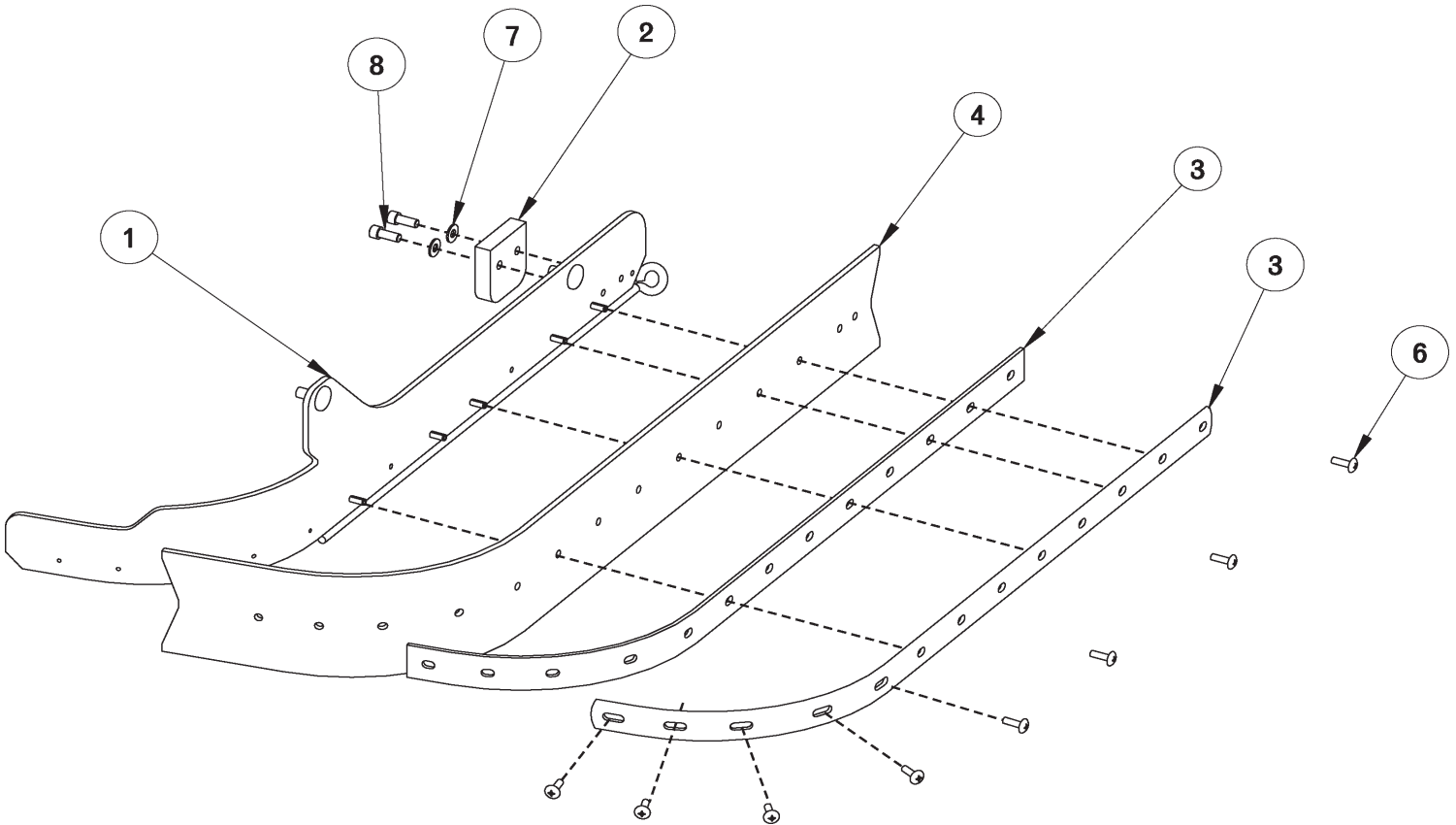
Side Squeegee Subassembly - Left Hand Side



BILL OF MATERIAL - 241373			
ITEM	PART NO.	REQ'D	DESCRIPTION
1	241380	1	DISK SQUEEGEE BRKT W/ PINS - LH, E RIDE 2426
2	241396	1	GLIDER BLOCK - PLASTIC
3	241418	1	STRAP, SIDE SQ., E RIDE/ B100R
4	281855	1	BACKER BLADE, LONG SCV 2832
5	281859	1	SIDE SQUEEGEE BLADE LINATEX, SCV 2832
6	710154	8	SCR-MC TR HD 10-32 X .625 SS
7	711504	2	WSR-FLAT 1/4 ID SS
8	712331	2	SCREW - HEXAGON SOCKET HEAD CAP, 1/4-20

Disc Scrubdeck

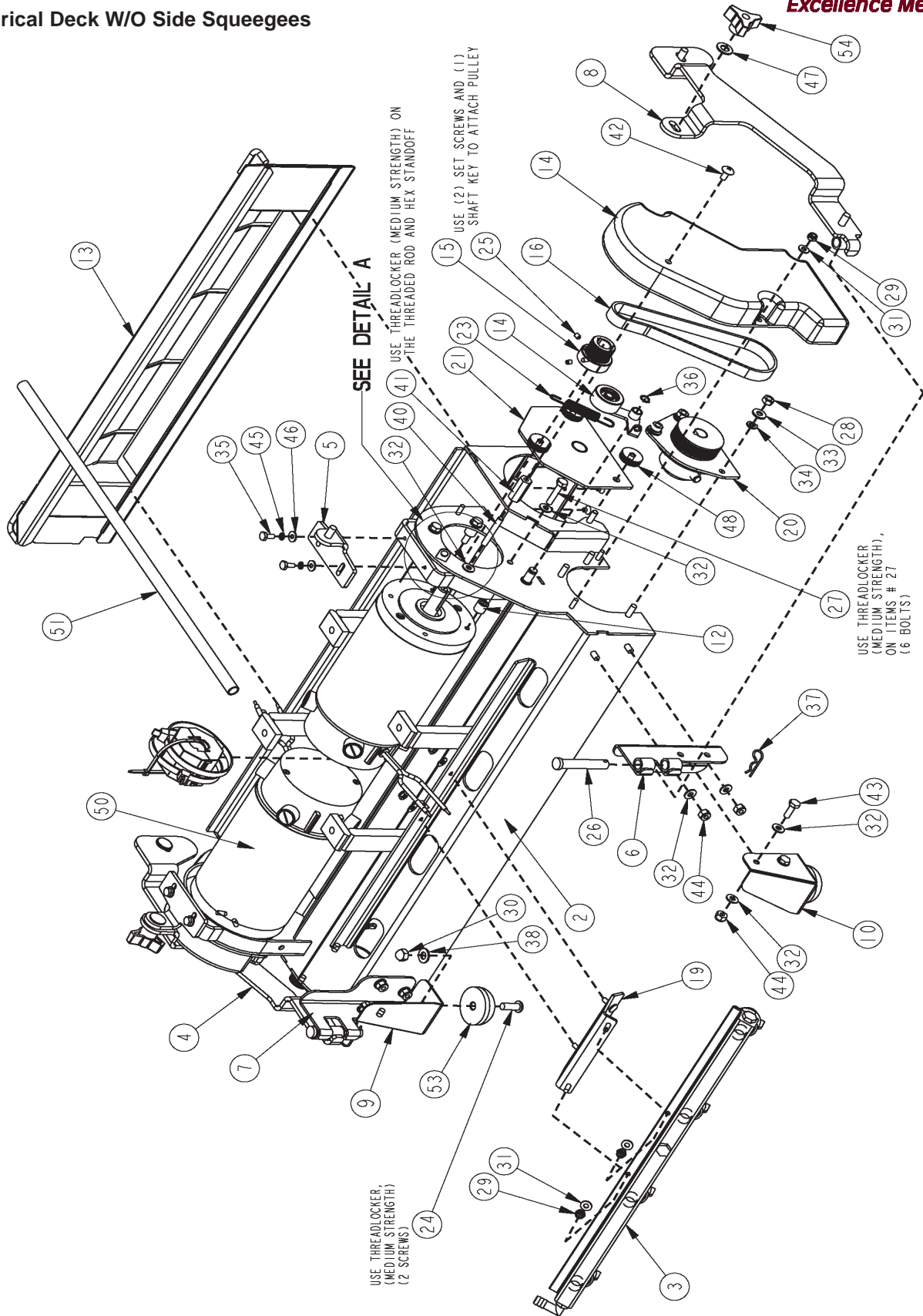
Side Squeegee Subassembly - Right Hand Side



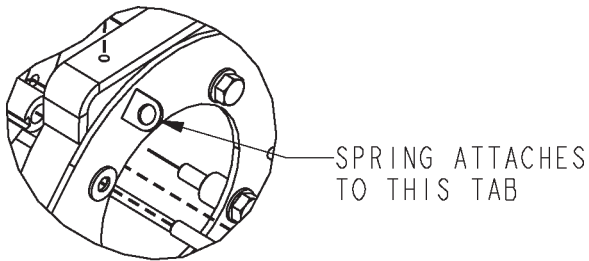
BILL OF MATERIAL - 241374

ITEM	PART NO.	REQ'D	DESCRIPTION
1	241381	1	DISK SQUEEGEE BRKT W/ PINS - RH, E RIDE 2426
2	241396	1	GLIDER BLOCK - PLASTIC
3	241418	1	STRAP, SIDE SQ., E RIDE/ B100R
4	281855	1	BACKER BLADE, LONG SCV 2832
5	281859	1	SIDE SQUEEGEE BLADE LINATEX, SCV 2832
6	710154	8	SCR-MC TR HD 10-32 X .625 SS
7	711504	2	WSR-FLAT 1/4 ID SS
8	712331	2	SCREW - HEXAGON SOCKET HEAD CAP, 1/4-20

26" Cylindrical Deck W/O Side Squeegees

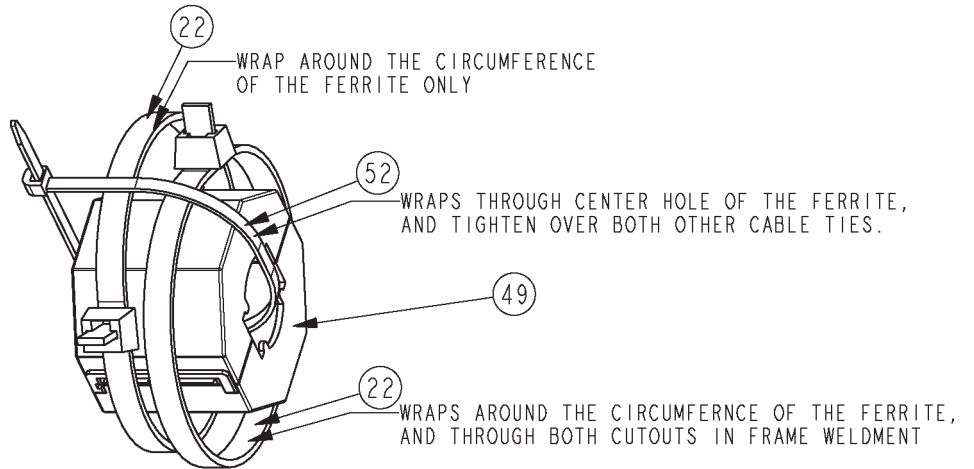


26" Cylindrical Deck W/O Side Squeegees

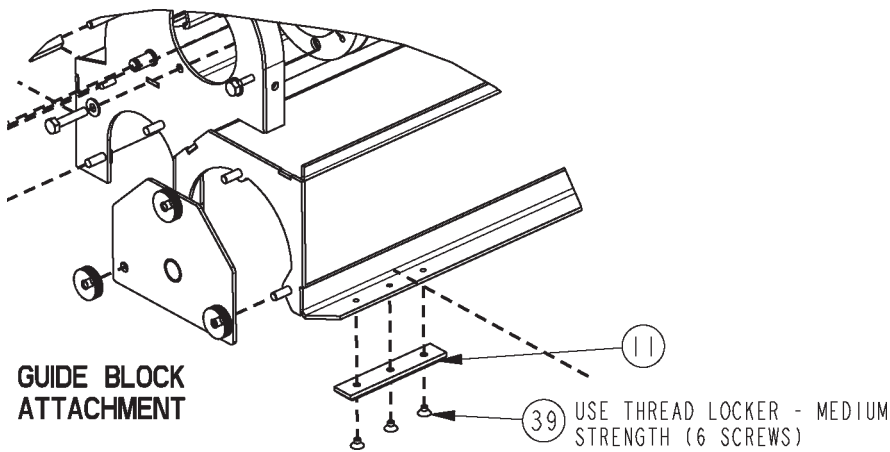


SPRING ATTACHES TO THIS TAB

DETAIL A



CABLE TIE ORIENTATION ON FERRITE



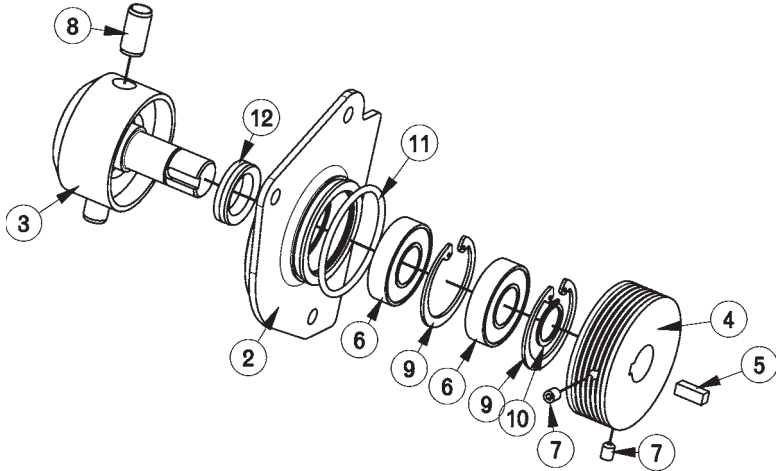
GUIDE BLOCK ATTACHMENT

USE THREAD LOCKER - MEDIUM STRENGTH (6 SCREWS)

26" Cylindrical Deck W/O Side Squeegees BOM

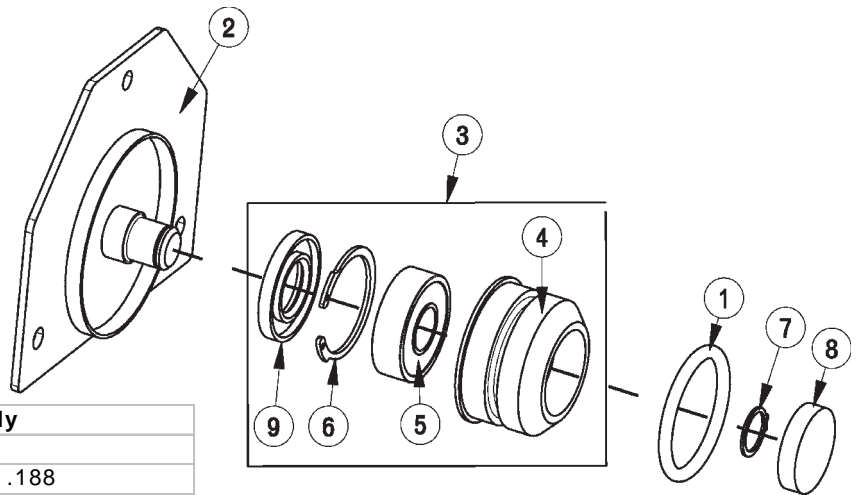
BILL OF MATERIAL - 261526-1			
ITEM	PART NO.	REQ'D.	DESCRIPTION
1	000730	1	THD SEAL L567-47/LH150 (NOT SHOWN)
2	241494	1	26" CYLINDRICAL SCRUBDECK WELDMENT
3	241511	1	SPRAY BAR ASSY, SCV 24/26
4	241540	1	UPPER SQUEEGEE BRK'T WMT RH, SCV 24/26
5	241542	2	UPPER SQUEEGEE MTG BRK'T
6	241544	1	HINGE BRK'T WLDMNT RH, SCV 24/26
7	241546	1	HINGE BRK'T WLDMNT LH, SCV 24/26
8	241554	1	UPPER SQUEEGEE BRK'T WMT LH, SCV 24/26
9	241581	1	BRACKET - CYL. DECK., STEEL
10	241582	1	BRACKET - CYL. DECK, STEEL
11	241583	2	PLASTIC GUIDE BLOCK
12	241598	8	MOTOR SPACER CYL DECK, SCV 24/26
13	241961	1	DEBRIS BOX WMT, CYL SCRUBDECK 26IN
14	281023	2	BELT COVER CYLINDRICAL SCRUBDECK
15	281036	2	OFFSET PULLEY POLY V
16	281053	2	J BELT (POLY V) 18IN
17	281543	2	IDLER ASSY
18	281559	1	DRAG CHAIN ASSY, CYL. SCRUBDECK
19	281606	1	SPRAY HEAD MTG BRKT, CYL SCRUBDECK
20	281670	2	DRIVE SIDE HUB ASSY, CYL SCRUBDECK
21	281680	2	IDLE SIDE HUB ASSY, CYL SCRUBDECK
22	361218	2	CABLE TIE, BLACK
23	430051	2	SPRING-RETURN .313 X .438 X 2.93 SS
24	710975	2	SC 5/16-18 X .87 ZINC
25	711003	4	SK 10-32 X .25
26	711119	2	PIN-CLEVIS 7/16 X 2-5/8
27	711210	6	BLT-HH 1/4-20 X 1.25 STL ZINC
28	711316	6	NUT-HEX 1/4-20 ST PL
29	711350	10	NUT-NYLOC 10-32
30	711353	2	NUT-ACORN 5/16-18 ST PL
31	711503	10	WSR-FLT #10 (SPECIAL FLAT WASHER)
32	711504	20	WSR-FLT 1/4 SS
33	711505	6	WSR-FLT 1/4
34	711544	6	WSR-HELICAL 1/4
35	711623	4	SCR-MC IND. HH 10-24 X .50 STPL
36	711724	2	RING-RET-EXT 3/8
37	711808	2	PIN-HAIRPIN COTTER #13
38	712333	2	WSR - FLAT, .344 ID X .688 OD, .065 NOM. THICKNESS, SS
39	712334	6	SCR - FLAT HD, 10-32 X .25, SOCKET CAP SCREW, SS
40	712336	2	THREADED ROD - 1/4-20 X 1.75 ,STEEL, ZINC PL
41	712337	2	HEX THREADED STANDOFF - FEMALE, 1/4-20 X 1.25, ZINC PL
42	712560	2	SCR-MC 1/4-20 X .50 SS NYL
43	712562	4	BLT-HH 1/4-20 X .75 SS
44	712667	8	NUT-NYLOC 1/4-20 SS
45	712757	4	WSR-HELICAL #10 SS
46	712764	4	WSR #10 SS
47	712767	2	WSR-FLT .406 X .75 SS
48	712831	6	THUMB NUT, 1/4-20, BLACK PLASTIC ROUND HEAD, KNURLED EDGE, 1.0" OD
49	744017	1	FERRITE-BEAD CLAMP ON
50	748102-1	2	MOTOR-3/4HP 36V 1800RPM 40"LEADS
51	748307	1	CONDUIT-SPLIT 3/8" 21" LONG
52	828062-B	1	CABLE TIE LARGE - BLACK
53	90533696	2	GUIDE BLOCK - PLASTIC
54	210118Y	2	KNOB 5/16" THREAD, YELLOW
55	740099-B	4	CABLE TIE-SMALL, BLACK (NOT SHOWN)
56	742759	0.001	TAPE-ELECTRICAL, BLUE (NOT SHOWN)

Cylindrical Scrubdeck
Drive Hub Subassembly



BILL OF MATERIAL - 281670			
ITEM	PART NO.	REQ'D	DESCRIPTION
1	3103	1	HI TEMP GREASE
2	281550	1	BEARING HOUSING, CYL SCRUBDECK
3	281675	1	DRIVE HUB, CYL SCRUBDECK
4	281676	1	DRIVEN PULLEY, CYL SCRUBDECK
5	361252	1	KEY, WOODRUFF, 3/16 SQ X .5
6	383558	2	BEARING, RADIAL 5/8" R10
7	711003	2	SCR-SK 10-32 x .25
8	711676	2	ROLL PIN, 3/8 x 3/4
9	711701	2	RETAINING RING, INT 1.37
10	711725	1	5/8" RETAINING RING, EXTERNAL
11	833603	1	O RING, 1 11/16 x 1 7/8, AS568A-131
12	833605	1	VRING SEAL

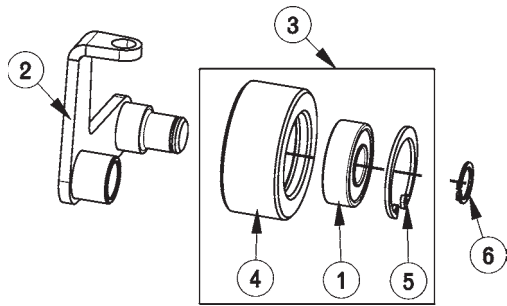
Idler Subassembly I



BILL OF MATERIAL - 281680 w/ 281683 subassembly			
ITEM	PART NO.	REQ'D	DESCRIPTION
1	281519	1	O-RING 1.62 X 2.00 X .188
2	281681	1	IDLE SHAFT WMT, CYL DECK
3	281683	1	IDLE HUB ASSY
4	281684	1	IDLE HUB, CYL SCRUBDECK
5	383551	1	BEARING, RADIAL 5/8" 6203
6	711702	1	RETAINING RING, INT 1.62
7	711725	1	5/8" RETAINING RING, EXTERNAL
8	833611	1	END CAP
9	833612	1	RADIAL SHAFT SEAL

Cylindrical Scrubdeck

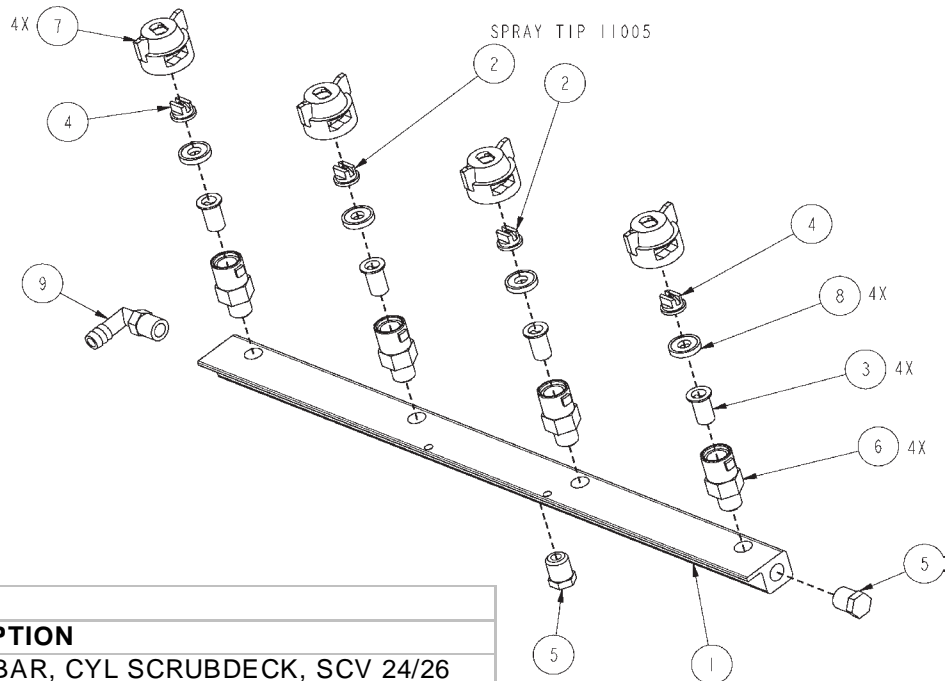
Idler Subassembly II



BILL OF MATERIAL - 281543

ITEM	PART NO.	REQ'D	DESCRIPTION
1	281058	1	BEARING 3/8" RADIAL
2	281544	1	TENSIONER ARM WELDMT
3	281547	1	IDLER SUB ASSY
4	281548	1	BELT IDLER
5	711704	1	INTERNAL RETAINING RING
6	711724	1	3/8" RETAINING RING, EXTERNAL

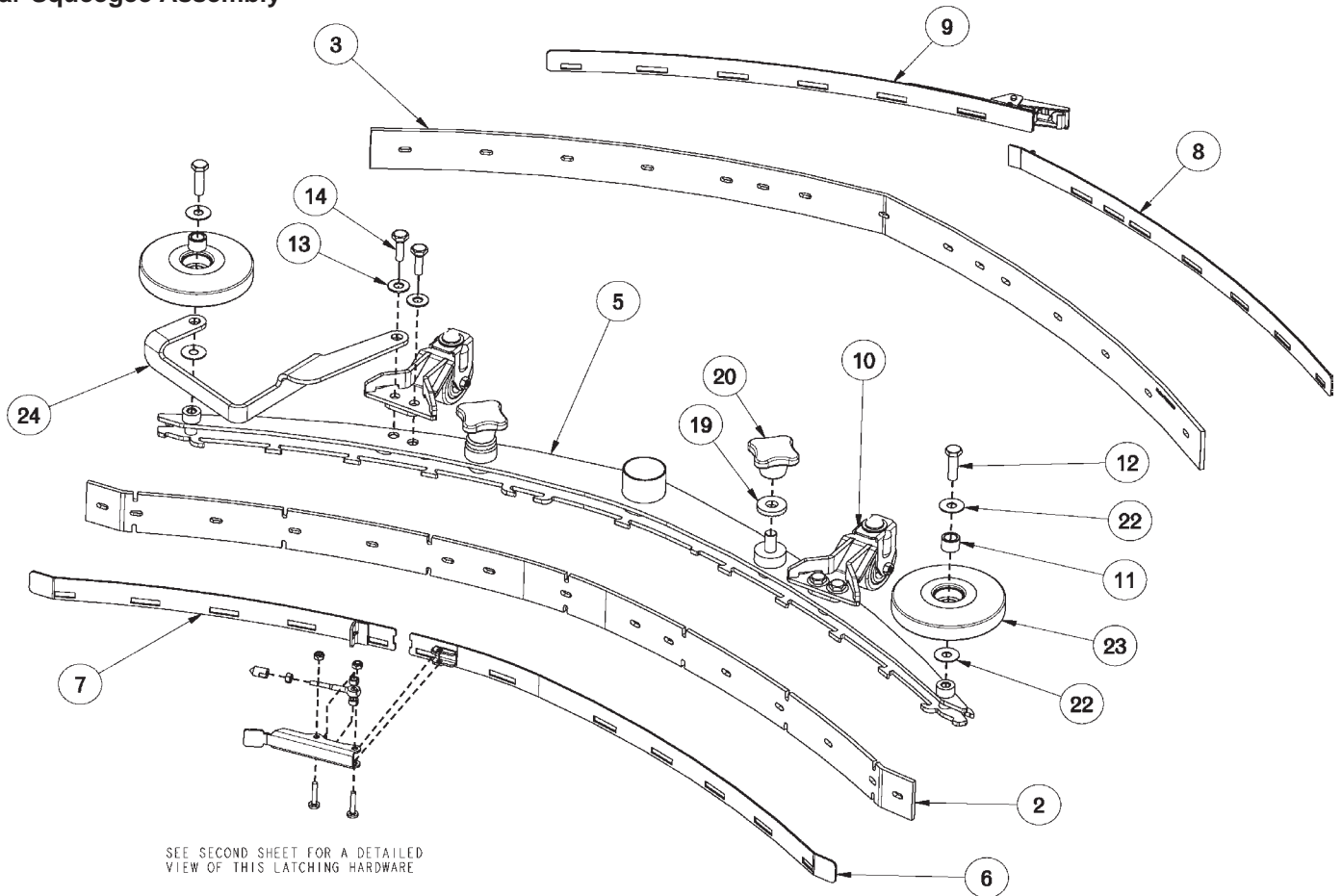
Spray Bar Subassembly



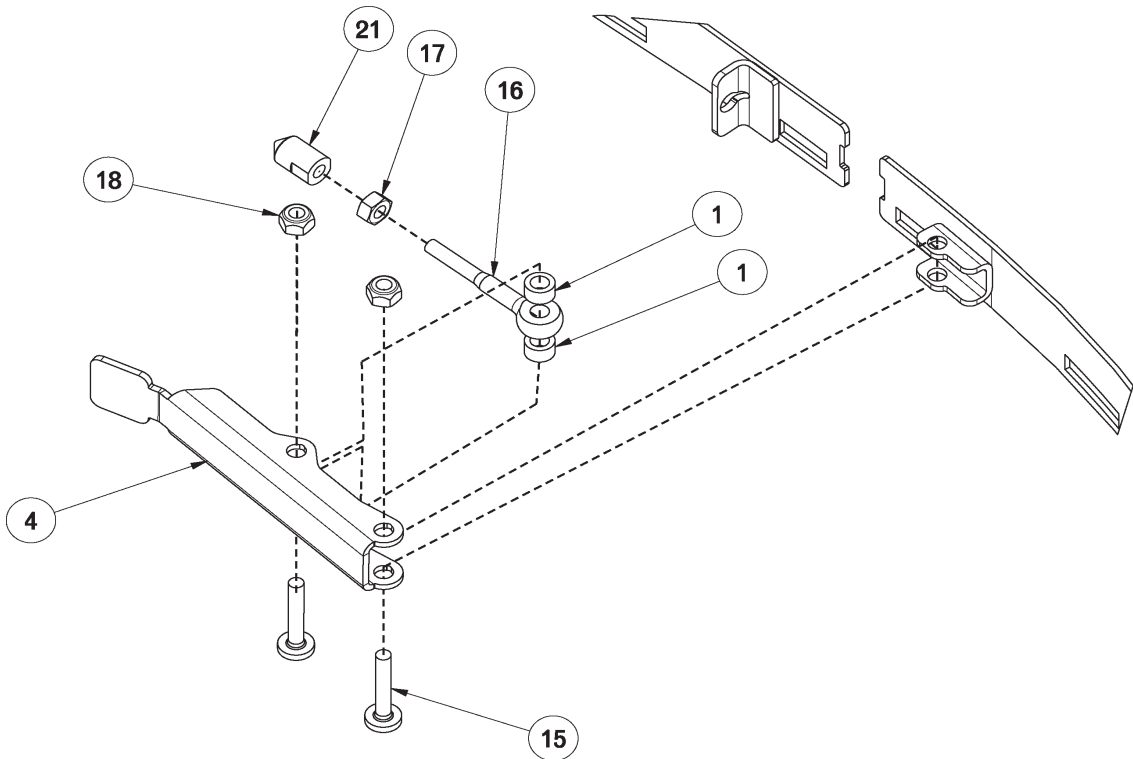
BILL OF MATERIAL - 241511

ITEM	PART NO.	REQ'D	DESCRIPTION
1	241512	1	SPRAY BAR, CYL SCRUBDECK, SCV 24/26
2	281040	2	SPRAY TIP 11005
3	281041	4	CHECK VALVE
4	450122	2	UNIJET SPRAY TIP 6503
5	829619	2	END PLUG
6	833140	4	BODY INLET CONNECTOR
7	833141	4	CAP
8	833142	4	GASKET CAP
9	833325	1	FITTING NYLON 90 1/4MPT X 3/8HB
10	000730	1	THD SEAL L567-47/LH150

Rear Squeegee Assembly



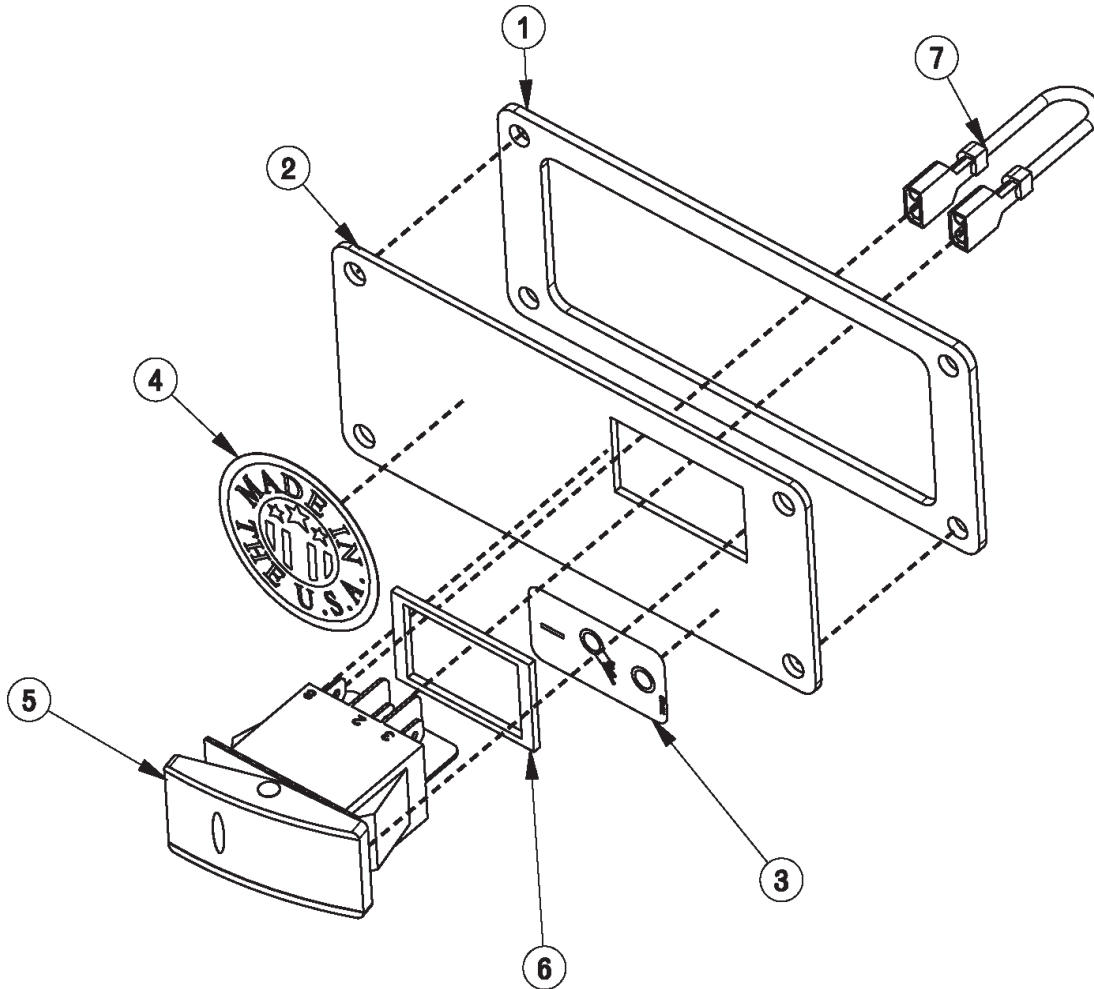
SEE SECOND SHEET FOR A DETAILED
VIEW OF THIS LATCHING HARDWARE



Rear Squeegee Assembly BOM

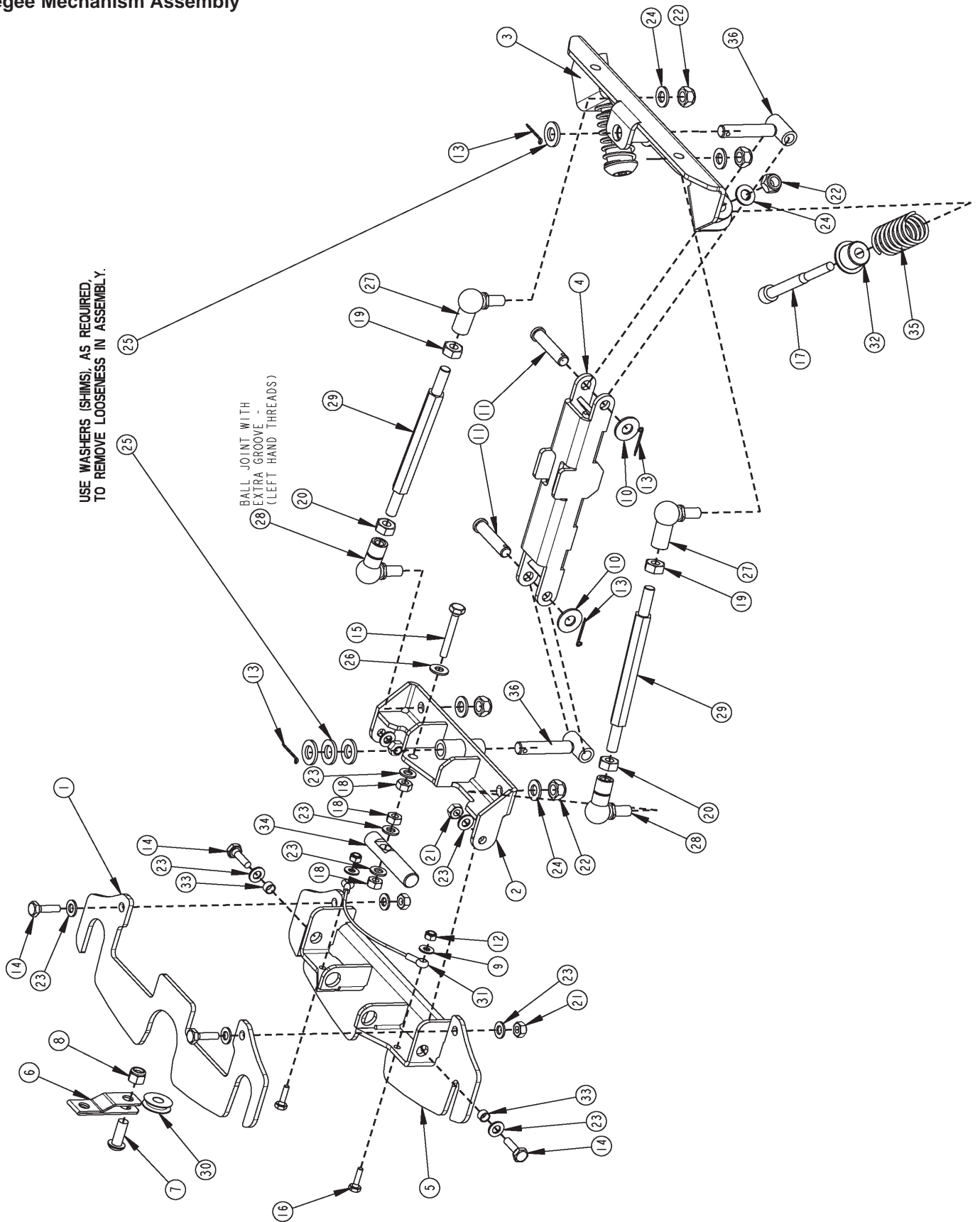
BILL OF MATERIAL - 241499			
ITEM	PART NO.	REQ'D.	DESCRIPTION
1	172074	2	SPACER, 5/16OD X 17GA, ALUM
2	172162	1	SQUEEGEE BLADE, FRONT - 860
3	172163	1	SQUEEGEE BLADE, REAR - 860
4	172234	1	LEVER - 90535758
5	172235	1	SQUEEGEE WMT - 34" (860)
6	172240	1	STRAP WMT, FRONT LEFT - 34" (860) SQG
7	172241	1	STRAP WMT, FRONT RT - 34" (860) SQG
8	172245	1	STRAP WMT, REAR LEFT - 34" (860) SQG
9	172246	1	WELD-STRAP REAR RT - 34" (860) SQG
10	172250	2	SQUEEGEE CASTER ASSEMBLY
11	430322	2	BUSHING-.435 X .625 X .50 ZINC
12	712332	2	SCREW, HH CAP SCREW, M8 X 30mm, STAINLESS
13	712772	4	WSR-FLT .344 X .75 X .06 SS
14	11039567	4	BLT-HH M8 X 1.25 X 25 304SS DIN933
15	11175494	2	SCR-MC M5X0.8 X 25 DIN7985 SS
16	11518313	1	BLT-EYE M5 X 40 (DIN444-B / SS)
17	12022430	1	NUT-HEX M5 X 0.8 316SS DIN 934
18	12040283	2	NUT-NYLOC M5 X 0.8 304SS DIN985
19	711508	2	WSR-FLT .44 X 1.00 X .08
20	17133026	2	STAR HANDLE
21	90513631	1	PRESSURE PIECE
22	90531112	4	WASHER - FLAT, 8.3 x 22 x 1.00mm, STAINLESS
23	90548397	2	ROLLER - PLASTIC, 100mm DIA. (4"), BLACK
24	90552993	1	DEFLECTION ARM - REAR SQUEEGEE, E RIDE / B110R, STAINLESS STEEL

Switch Panel Assembly



BILL OF MATERIAL - 241568			
ITEM	PART NO.	REQ'D	DESCRIPTION
1	241209	1	GASKET - REAR SWITCH COVER, SCV 2426 CONSOLE
2	241213	1	SWITCH PANEL - CONSOLE, SCV 26
3	715438	1	DECAL, OFF AISLE WAND SCV 24/26
4	715501	1	DECAL - MADE IN THE USA
5	748310	1	SWITCH, DPST ILLUMINATED
6	748209	1	GASKET - FOR 2 POLE ROCKER SWITCH
7	748265	1	WIRE ASY, 18G RED 3"

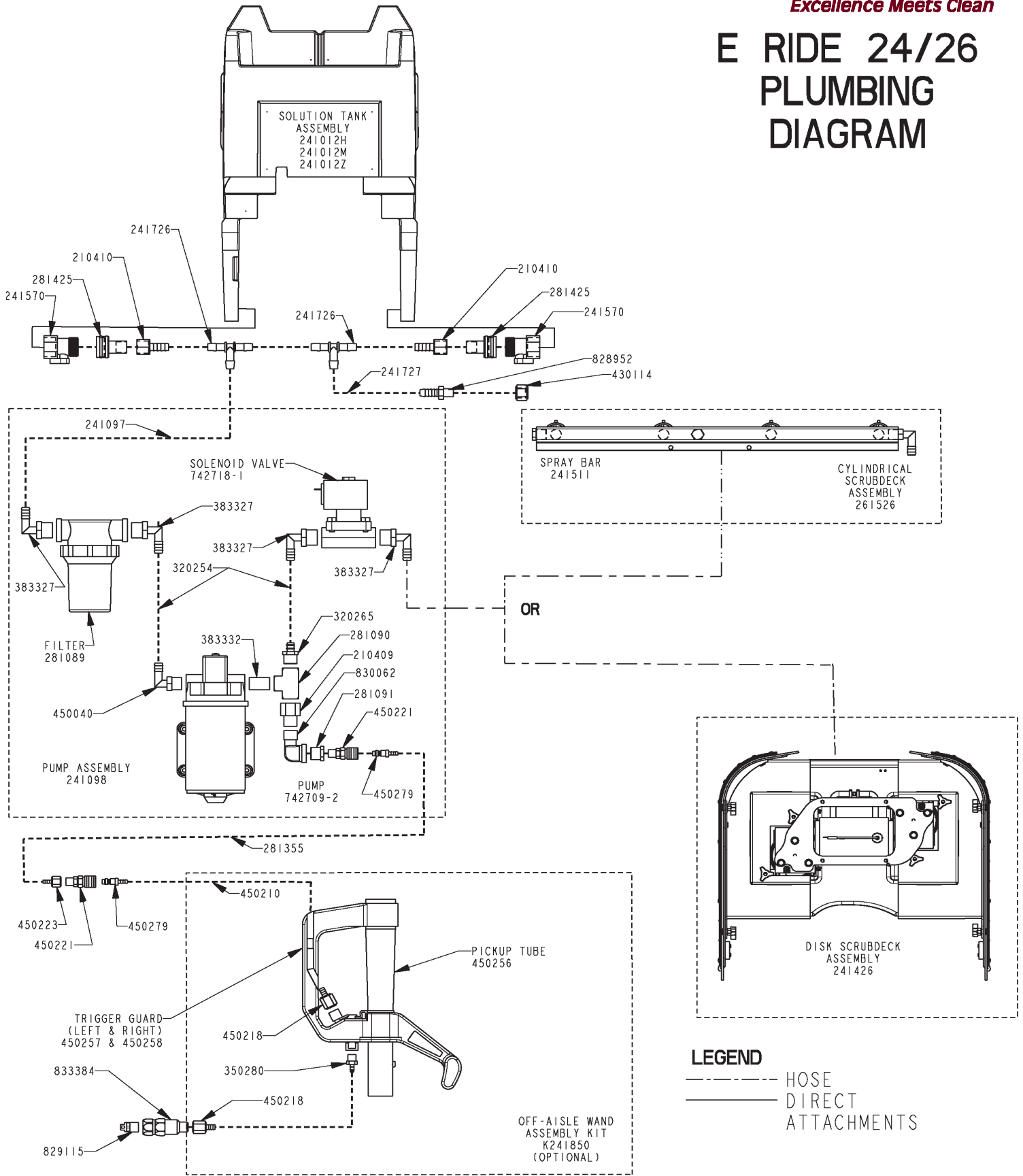
Squeegee Mechanism Assembly



Squeegee Mechanism Assembly BOM

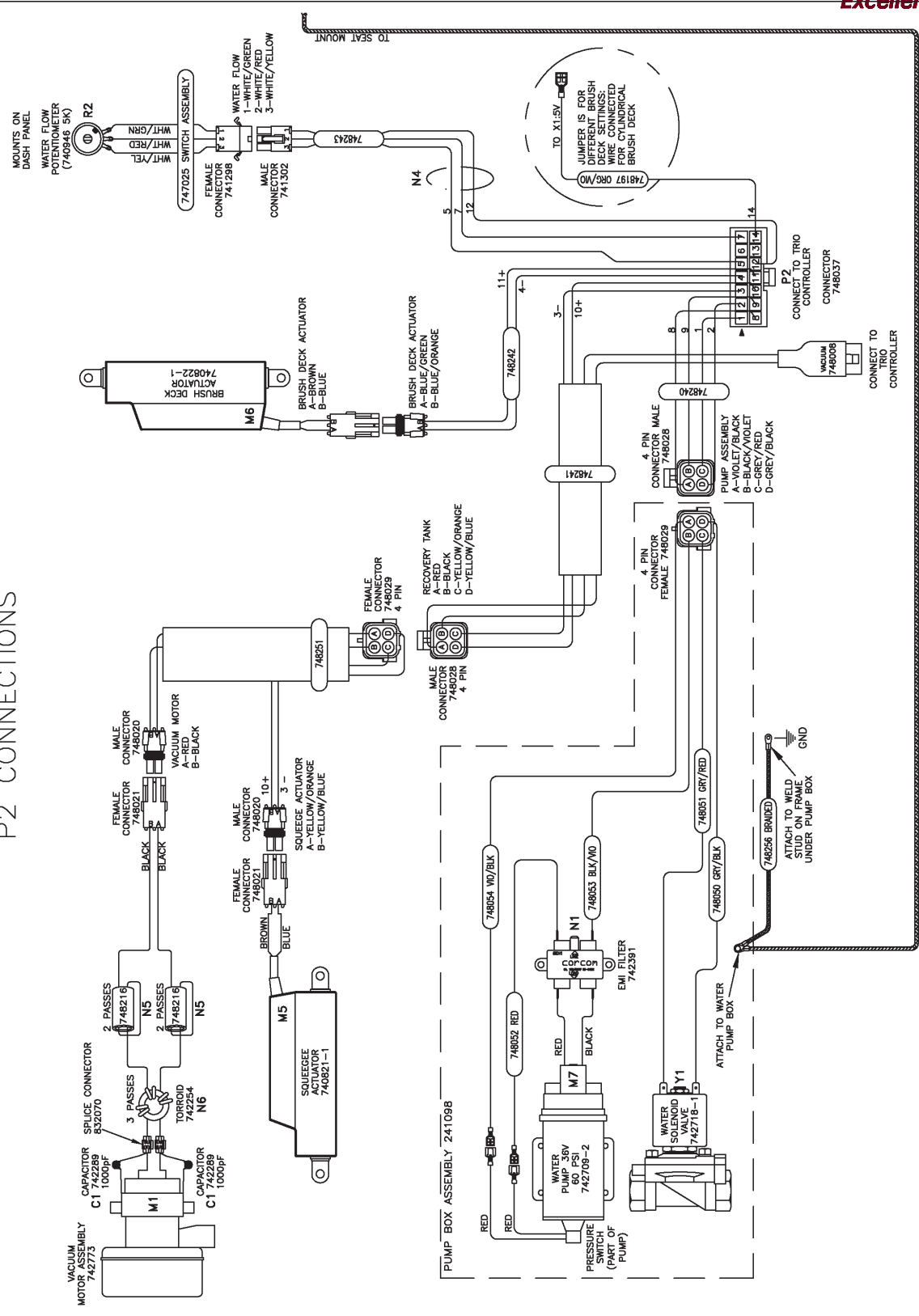
BILL OF MATERIAL - 241300			
ITEM	PART NO.	REQ,D.	DESCRIPTION
1	241283	1	SQUEEGEE MOUNT PLATE - LOWER, SCV 2426
2	241284	1	SQUEEGEE MECH. REAR WELDMENT - SCV 2426
3	241288	1	SQUEEGEE MECH. MOUNTING WELDMENT - SCV 2426
4	241291	1	SQUEEGEE PIVOT ARM WELDMENT- SCV 2426
5	241294	1	SQUEEGEE MOUNT WELDMENT - UPPER, SCV 2426
6	241580	1	HANGER BRACKET - REAR SQUEEGEE
7	710986	1	SC 3/8-16 X 1 ZINC
8	711380	1	NUT-NYLOC 3/8-16
9	711504	2	WSR-FLT 1/4 SS
10	711508	2	WSR-FLT .44 X 1.00 X .08
11	711727	2	PIN-CLEVIS 7/16 X 2.00 ZINC (1.84" UNDER HEAD TO CL OF HOLE)
12	717018	2	NUT-NYLOC M6 X 1.0
13	809311	4	PIN-COTTER 7/64 X 1
14	11038247	4	BLT-HH M8 X 1.25 X 25 STL ZINC DICH 8.8 DIN 933
15	11038296	1	BLT-HH M8 X 1.25 X 50 STL ZINC DICH 8.8 DIN 933
16	11038312	2	SCREW - MACHINE, HEX, M6-20, ZINC DICH
17	11126653	2	SCREW-SOCKET HEAD CAP, ISO 4762-M10x110-10.9 A3G
18	12022059	3	NUT-HEX M8 X 1.25 STL ZINC DICH CL8 DIN 934
19	12022067	2	NUT-HEX M10 X 1.5 STL ZINC DICH CL8 DIN 934
20	12022224	2	NUT - HEX, METRIC, M10 X 1.5, STL, ZINC DICH
21	12040051	4	NUT-NYLOC M8 X 1.25 STL ZINC DICH CL8 DIN 985
22	12040069	6	NUT-NYLOC M10 X 1.5 STL ZINC DICH CL6 DIN 985
23	12310041	11	WSR-FLT M8.4 X 16 X 1.6 STL 140HV ZINC DICH DIN 125A
24	12310058	6	WSR-FLT M10.5 X 20 X 2 STL 140HV ZINC DICH DIN 125A
25	12310066	4	WSR-FLT M13 X 24 X 2.5 STL 140HV ZINC DICH DIN 125A
26	12520053	1	WASHER - SERRATED, LOCKING, M8,
27	16046039	2	BALL JOINT - RH, M10 FEMALE THREADS
28	16046088	2	BALL JOINT - LH, M10 FEMALE THREADS
29	90414806	2	TURNBUCKLE - M10 THREADS, STEEL HEX BODY
30	90434333	1	PULLEY - STEEL, SQUEEGEE LIFT MECH
31	90434341	1	HANGER CABLE - STEEL W/ DUAL EYELETS
32	90443979	2	BUSHING - STEEL, SPRING CAP
33	90473158	2	BUSHING
34	90537697	1	PIVOT BAR - MACHINED, STEEL
35	90538307	2	SPRING - COMPRESSION, 1.22 OD,
36	96098330-2	2	T BAR WELDMENT - STEEL, ZINC PL

E RIDE 24/26 PLUMBING DIAGRAM



P2 CONNECTIONS

3



E-RIDE 2426 & B100R 3 OF 5
745079-1 Rev. B

KEY SWITCH

PIN #	HARNESS COLOR	FUNCTION
1	RED/VIOLET	POSITIVE TO LEDS
2	RED/VIOLET	E-STOP-TRIO KSI P3:18
3	RED/WHITE	+V FROM TRIO P3:8
4	EMPTY	-

MODE SELECTOR SWITCH

SWT #	PIN #	COLOR	FUNCTION
1	1	YELLOW/BLACK	HEAVY SCRUB
2	2	YELLOW/RED	LIGHT SCRUB
3	3	YELLOW/GREY	DOUBLE SCRUB
4	4	YELLOW/WHITE	VACUUM ONLY
5	5	YELLOW	TRANSPORT
C	6	RED/BLACK	SWITCH REF 5V

BATTERY GAUGE: BDI

PIN #	COLOR	FUNCTION
1	RED/VIOLET	SWITCHED 36VDC:P3-18
2	RED/YELLOW	SIGNAL: P3-6
3	BLACK/RED	SIGNAL REF 0V
4	GREEN	ESD DISCHARGE/GND

DIRECTION SWITCH

PIN #	COLOR	FUNCTION
1	VIOLET/YELLOW	REVERSE
2	RED/BLACK	HIGH SWITCH REF 5VDC
3	EMPTY	-
4	RED/VIOLET	REVERSE LED
5	RED/VIOLET	KEY SWITCH ON
6	RED/VIOLET	FORWARD LED

MISCELLANEOUS

COLOR	FUNCTION
RED	BATTERY 36VDC
BLACK	BATTERY 0VDC
RED/BLACK	HIGH SWITCH REF 5VDC
BLACK/RED	LOW SWITCH REF 0V
BLUE/YELLOW	HORN
ORANGE/VIOLET	DECK TYPE SELECT:CONNECT FOR CYLINDRICAL
GREEN	ESD GROUND

P2: TRIO CONNECTOR

PIN #	COLOR	FUNCTION
1	GREY/RED	WATER SOLENOID VALVE
2	GREY/BLACK	WATER SOLENOID VALVE
3	YELLOW/ORANGE	SQUEEGE ACTUATOR
4	BLUE/GREEN	BRUSH ACTUATOR
5	WHITE/YELLOW	WATER FLOW POTENTIOMETER (SLOW)
6	-	-
7	WHITE/RED	WATER FLOW POTENTIOMETER (WIPER)
8	VIOLET/BLACK	WATER PUMP
9	BLACK/VIOLET	WATER PUMP
10	YELLOW/BLUE	SQUEEGE ACTUATOR
11	BLUE/ORANGE	BRUSH ACTUATOR
12	WHITE/GREEN	WATER FLOW POTENTIOMETER (FAST)
13	-	-
14	ORANGE/VIOLET	BRUSH DECK PRESSURE SET

P3: TRIO CONNECTOR

PIN #	COLOR	FUNCTION
1	YELLOW/RED	5 MODE SWITCH: LIGHT SCRUB
2	YELLOW/BLACK	5 MODE SWITCH: HEAVY SCRUB
3	YELLOW	5 MODE SWITCH: TRANSPORT
4	-	-
5	BLUE/WHITE	DECK RAISE/LOWER SWITCH
6	RED/YELLOW	BATTERY GAUGE SIGNAL
7	GREY/YELLOW	HOURLY METER
8	RED/WHITE	ON/OFF REF (B+)
9	BLACK/ORANGE	SPEED POTENTIOMETER (SLOW)
10	BLACK/PINK	SPEED POT./SEAT SAFETY SWITCH
11	YELLOW/WHITE	5 MODE SWITCH: VACUUM ONLY
12	YELLOW/GREY	5 MODE SWITCH: DOUBLE SCRUB
13	VIOLET/YELLOW	REVERSE SWITCH
14	BROWN/GREEN	SOLUTION TANK EMPTY FLOAT SWITCH
15	WHITE/BLUE	OFF AISLE WAND
16	RED/BLACK	HIGH SWITCH REF 5VDC
17	BROWN/BLACK	BACK UP ALARM
18	RED/VIOLET	ON/OFF INPUT-KEY SWITCH
19	BLACK/RED	LOW SWITCH REF 0VDC
20	BLACK/WHITE	SPEED POTENTIOMETER (FAST)

Minuteman International Made Simple Commercial Limited Warranty



REVISION F
EFFECTIVE 6/1/2009

Minuteman International, Inc. warrants to the original purchaser/user that the product is free from defects in workmanship and materials under normal use. Minuteman will, at its option, repair or replace without charge, parts that fail under normal use and service when operated and maintained in accordance with the applicable operation and instruction manuals. All warranty claims must be submitted through and approved by factory authorized repair stations.

This warranty does not apply to normal wear, or to items whose life is dependent on their use and care, such as belts, cords, switches, hoses, rubber parts, electrical motor components or adjustments. Parts manufactured by Minuteman are covered by and subject to the warranties and/or guarantees of their manufacturers. Please contact Minuteman for procedures in warranty claims against these manufacturers.

Special warning to purchaser — Use of replacement filters and/or prefilters not manufactured by Minuteman or its designated licensees, will void all warranties expressed or implied. A potential health hazard exists without original equipment replacement.

All warranted items become the sole property of Minuteman or its original manufacturer, whichever the case may be.

Minuteman disclaims any implied warranty, including the warranty of merchantability and the warranty of fitness for a particular purpose. Minuteman assumes no responsibility for any special, incidental or consequential damages.

This limited warranty is applicable only in the U.S.A. and Canada, and is extended only to the original user/purchaser of this product. Customers outside the U.S.A. and Canada should contact their local distributor for export warranty policies. Minuteman is not responsible for costs or repairs performed by persons other than those specifically authorized by Minuteman. This warranty does not apply to damage from transportation, alterations by unauthorized persons, misuse or abuse of the equipment, use of non-compatible chemicals, or damage to property, or loss of income due to malfunctions of the product.

If a difficulty develops with this machine, you should contact the dealer from whom it was purchased.

This warranty gives you specific legal rights, and you may have other rights which vary from state to state. Some states do not allow the exclusion or limitation of special, incidental or consequential damages, or limitations on how long an implied warranty lasts, so the above exclusions and limitations may not apply to you.

Cord Electric Group: Three years parts, two years labor, ninety days travel (Not to exceed two hours)

Exceptions.....

Model	Parts	Labor	Poly	Travel
Port A Scrub	1yr	6months	10yrs	0
MPV 13	1yr	0	0	0
MPV 14 & 18	2yrs	1yr	0	0
V Series Upright Vacuums	1yr	1yr	0	0
Rapid Air Blower	1yr	1yr	10yrs	0
Explosion Proof Vacuum	1yr	1yr	0	0
X12, X12H & TRS 14	1yr	1yr	10yrs	0
E17 & E20 Electric Scrubbers	1yr	6month	10yrs	0
Pneumatic Vacuums	3yr	1yr	0	0

Description	Parts	Labor	Poly	Travel
Battery Operated Group	3yrs	2yrs	10	90 days
Sweepers	1yr	1yr	10	90 days
Internal Combustion Group	1yr	1yr	10	90 days

Not to exceed two hours

Exception: PAS 14B **1yr** **1yr** **10yr** **0**

Battery Chargers: **One year replacement**
Replacement Parts: Ninety days
Batteries: 0-3 months replacement, 4-12 months pro-rate
Polyethylene Plastic Tanks: Tanks have 10yr warranty, no additional labor