



Electronic Service Manuals

This electronic document is provided as a service to our customers. We do not create the contents of the information contained in this document. Should you have detailed questions pertaining to the information contained in this document, you may contact Michco, or the manufacturer which provided the original information in this electronic deliverable. Michco's only part in this electronic deliverable was the electronic assembly process. By providing this manual on line we are not guaranteeing parts availability.

You may contact Michco through the following methods:

Phone (517) 484-9312 or (800) 331-3339

2011 N. High St. -- Lansing, Michigan -- 48906

Fax: (517) 484-9836

Email: CustServe@Michco.com

Web site: www.Michco.Com

Parts Web site: www.FloorMachineParts.Com

Order Parts on Line at:

www.FloorMachineParts.Com

Directly to Parts & Service:

By Email: **Shop@Michco.com**

By Fax: (517) 702-2041

By Voice: Use numbers above.

Serving the Cleaning Industry Since 1922

Notice: All copyrighted material remains property of original owners, all trademarks are property of respective owners. Manuals are subject to Manufacturer's reproduction limitations. Originals or reproductions were provided by manufacturers through a request. We make no warranty as to the correctness of information provided in this document and you assume all risk. By placing these manuals on line we are not declaring our corporation to be an manufacturer authorized dealer or provider, please check our web site for authorized manufacturers we represent.

**M2400
Electric Burnisher
w/Dust Control
Option**

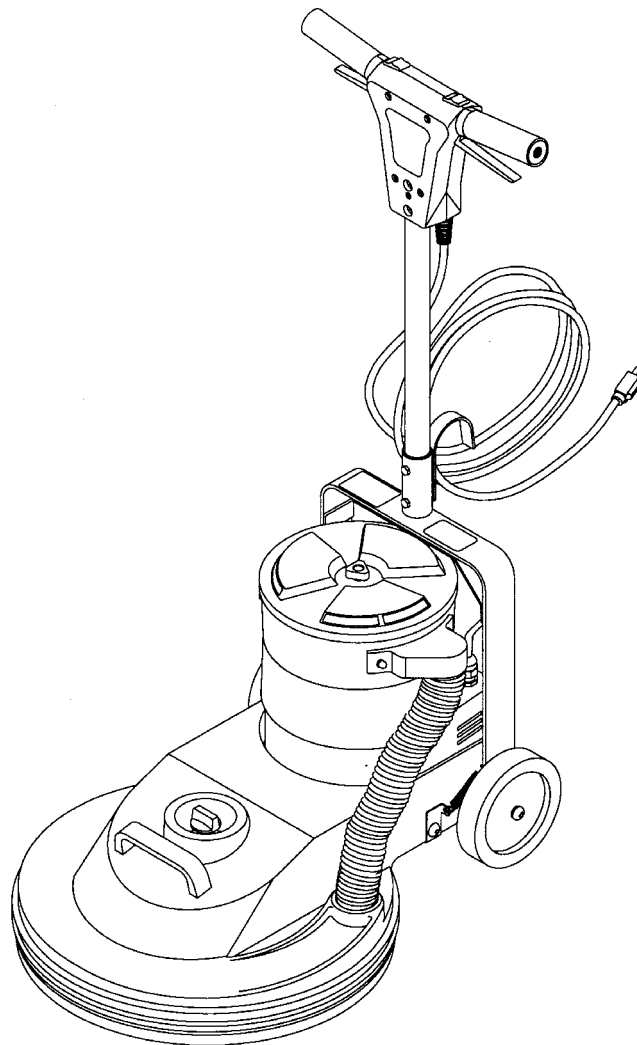
**Model: M17150-00, 01, 04, 05
M24000-00, 02, 04, 06
M24000-01, 03, 05, 07
M20150-01, -02, -03, -04
M17150-01CE-05CE
M20150-02CE-04CE
M24000-01CE, 03CE, -05CE, -07CE**

OPERATION

SERVICE

PARTS

CARE

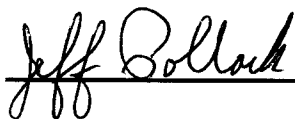


EC Declaration of Conformity

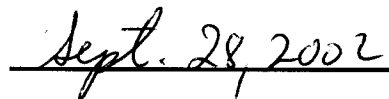
according to Directives 89/392 and 89/336

We, Minuteman International Incorporated, of 111 South Rohlwing Road Addison Illinois 60101 USA, declare under our sole responsibility that the product HM360000 & PB360000 Commercial Floor Sweeping machines to which this declaration relates corresponds to the relevant requirements of the EC Directives 89/392 and 89/336. The following standards were used to determine compliance with the Directives: EN 292, EN 294, EN 811, EN 55011, EN 55104 and EN 50082-2.

SOUND		VIBRATION						
70 dB Operator	66 dB At 3m	1.2 m/s² At Operators Handle						
Tests were conducted on 8/6/96 with calibrated sound and vibration equipment under the conditions noted below: <table style="width: 100%; margin-top: 10px;"> <tr> <td style="width: 33%;">General Condition: Sunny</td> <td style="width: 33%;">Wind: 0 km/hr</td> </tr> <tr> <td>Temperature: 28°C</td> <td>Humidity: 85%</td> </tr> <tr> <td>Barometric Pressure: 30.1</td> <td></td> </tr> </table>			General Condition: Sunny	Wind: 0 km/hr	Temperature: 28°C	Humidity: 85%	Barometric Pressure: 30.1	
General Condition: Sunny	Wind: 0 km/hr							
Temperature: 28°C	Humidity: 85%							
Barometric Pressure: 30.1								



Jeff Pollack, Standards Engineer



Date

FOR COMMERCIAL USE ONLY

IMPORTANT SAFETY INSTRUCTIONS

When using an electrical appliance, basic precautions should always be followed, including the following:

READ ALL INSTRUCTIONS BEFORE USING

WARNING - To reduce the risk of fire, electric shock, or injury:

- Do not leave appliance when plugged in. Unplug from outlet when not in use and before servicing.

WARNING

To reduce the risk of electric shock - Do not expose to rain. Store indoors.

- Never allow children or untrained adults to operate this equipment.
- Keep the area of operation clear of all persons, particularly small children, and pets. Keep bystanders at least 25 feet away from the area of operation.
- Use only as described in this manual. Use only manufacturer's recommended attachments.
- Do not use with damaged cord or plug. If appliance is not working as it should, has been dropped, damaged, left outdoors, or dropped into water, return it to a service center.
- Do not pull or carry by cord, use cord as a handle, close a door on cord, or pull cord around sharp edges or corners. Do not run appliance over cord. Keep cord away from heated surfaces.
- Do not unplug by pulling on cord. To unplug, grasp the plug, not the cord.
- Do not handle plug or appliance with wet hands.
- Do not put any object into openings. Do not use with any opening blocked; keep free of dust, lint, hair, and anything that may reduce air flow.
- Keep hair, loose clothing, fingers, and all parts of body away from openings and moving parts.
- Do not pick up anything that is burning or smoking, such as cigarettes, matches, or hot ashes.
- Do not use without dustbag and/or filters in place.
- Turn off all controls before unplugging.
- Use extra care when cleaning on stairs.
- Do not use to pick up flammable or combustible liquids such as gasoline or use in areas they may be present.
- Connect to a properly grounded outlet only. See grounding instructions.

SAVE THESE INSTRUCTIONS

INSPECTION

Carefully unpack and inspect your machine for shipping damage. Each unit is tested and thoroughly inspected before shipment, and any damage is the responsibility of the delivery carrier who should be notified immediately.

WARNING

- Read Instruction Manual before operating this piece of equipment.
- To reduce the risk of fire use only commercially available floor cleaners and waxes intended for machine application.
- To reduce the risk of electrical shock, do not expose to rain. Store indoors.
- Electrical motors and components can cause an explosion when operated near volatile materials and vapors. Do not use this machine near flammable materials such as solvents, thinners, fuels, grain dust, etc.
- Risk of explosion. Floor sanding can result in an explosive mixture of fine dust and air. Use floor-sanding machine only in a well-ventilated area free from flame or match.

ELECTRICAL - 115 Volt - M24000-00, 02, 04, 06; M17150-00, 04; M20150-01, -03

This floor machine is designed to operate on a standard 15 amp, 120 volt, 60 hz, AC circuit. Voltages below 105 volt AC or above 125 volts AC could cause serious damage to the motor.

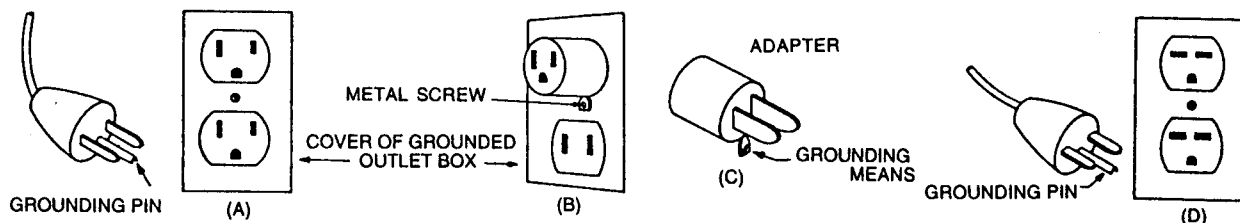
ELECTRICAL - 240 Volt - M24000-01, 03, 05, 07; M17150-01, 05; M20150-02, -04; M24000-01CE, 03CE, 05CE, 07CE; M17150-01CE, 05CE; M20150-02CE, -04CE

This machine is designed to operate on a standard 10 amp, 230 volt, 50 hz, AC circuit.

GROUNDING INSTRUCTIONS

- This floor finishing machine should be grounded while in use to protect the operator from electric shock. The machine is equipped with a three-conductor cord and a three-prong grounding type attachment plug to fit the proper grounding type receptacle. The green (or green and yellow) conductor in the cord is the grounding wire. Never connect this wire to other than the grounding blade.
- Floor Finishing Machines Rated Less Than 150 Volts - If the machine is provided with an attachment plug as shown in Sketch A it is intended for use on a 120-volt (nominal) circuit. If a properly grounded receptacle as shown in Sketch A is not available, an adapter as shown in Sketch C is available and should be installed as shown in Sketch B if the outlet box that houses the receptacle is grounded. Be sure to fasten the grounding tab with the faceplate screw.

ADAPTER (Not applicable in Canada)



POUR USAGE COMMERCIAL SEULEMENT

MODE D'EMPLOI SECURITAIRE

Lorsque l'on utilise un appareil électrique, des précautions de base doivent toujours être suivies telles que:

BIEN LIRE LE MODES D'EMPLOI AVANT USAGE

AVERTISSEMENT - Pour réduire les risques de feu, choc électrique ou blessure:

- Ne pas quitter l'appareil lorsque la prise de courant est branchée. Débrancher de la sortie électrique lorsque la machine n'est pas en usage ou pour en faire le service.

AVERTISSEMENT - Pour réduire le risque de choc électrique - Ne pas exposer à la pluie - Entreposer à l'intérieur.

- Ne jamais laisser des enfants ou des adultes inexpérimentés faire fonctionner cet appareil.
- Garder la zone de fonctionnement libre de toute personne, particulièrement les petits enfants et les animaux. Garder les spectateurs à une distance d'au moins 7,6 mètres (25 pieds) de la zone de fonctionnement.
- Utiliser tel que prescrit dans le livre d'opération et seulement avec les attachements recommandés par le fabricant.
- Ne pas s'en servir avec corde ou prise de courant endommagée. Si l'appareil ne fonctionne pas ou a été échappé, endommagé, entreposé à l'extérieur ou déposé dans l'eau, l'appareil devrait être envoyé à un département de service pour inspection.
- Ne pas tirer ou porter par le câble ou se servir du câble comme poignée. Ne pas fermer de portes sur le câble ou tirer le câble près d'objets pointus. Ne pas conduire l'appareil en écrasant le câble et soyez certain de protéger le câble entre toutes surfaces de chauffage.
- Ne pas débrancher en se servant du câble. Pour débrancher tirer sur la prise et non sur le câble.
- Ne pas manipuler la prise ou l'appareil avec les mains mouillées.
- Ne placer aucun objet dans la sortie et ne pas s'en servir si la sortie est obstruée. Eliminer toute poussière, maillon, cheveux ou quoique ce soit qui pourrait réduire le mouvement d'air.
- N'exposer aucun cheveux, vêtement, doigts ou autres aux ouvertures de l'appareil.
- Ne rien ramasser de ce qui brûle ou de fumée tels que cigarettes, allumettes ou cendres en feu.
- Ne pas employer sans filtre de poussière ou autre en position.
- Fermer tous les contrôles après utilisation.
- Soyez très prudent lors du nettoyage d'escaliers.
- Ne pas ramasser de liquide inflammable ou combustible tel que gazoline et ne pas utiliser dans les endroits où ces derniers pourraient être présent.
- Brancher dans une prise avec une prise de terre seulement. Voir références pour prise de terre.

**CONSERVEZ CES RECOMMANDATIONS
DE MODE D'EMPLOI**

INSPECTION

Déballer soigneusement en constatant s'il y a lieu tout dommage apparent. Chacune des pièces d'équipement est entièrement inspectée à l'usine et tout dommage de transit est la responsabilité de la compagnie de transport qui devrait être prévenue immédiatement.

AVERTISSEMENT

- S.V.P. lire le manuel d'instruction avant d'opérer cette pièce d'équipement.
- Pour réduire le risque d'incendie, se servir de ces appareils uniquement pour usage commercial et avec les produits contruits spécifiquement pour usage avec ces appareils.
- Les moteurs électriques peuvent être la cause d'explosion si ils sont utilisés près de matériaux ou de vapeurs explosives. Ne pas opérer près de matériaux inflammables tels que solvant, essence, poussière de grain etc.

ELECTRICITE - 115 Volt Modèles M17120-00, 01, 02 M20120-01, 02, 03

Ces appareils sont conçus pour opérer sur un circuit standard de 15 amp, 120 volt, 60 hz, circuit AC. Tout voltage en bas de 105 volt AC ou au-delà de 125 volts AC pourrait occasionner des dommages au moteur.

ELECTRICITE - 230 Volt Modèles M17240-01, 02, 03 M20240-01, 02, 03

Ces appareils sont conçus pour opérer sur un circuit standard AC de 16 amp, fusible type L 230 volt, 50 hz. Tout voltage en bas de 200 volt AC ou au-delà de 250 volts AC pourrait occasionner des dommages au moteur.

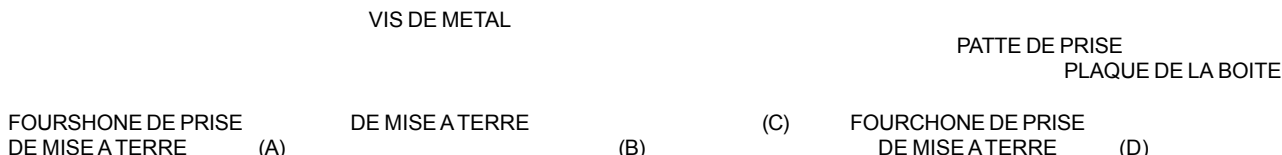
INSTRUCTIONS POUR PRISE DE TERRE

- Ces appareils doivent posséder une prise de terre pour protéger l'opérateur contre les chocs électriques. Cet appareil est muni d'une corde électrique à trois fils et d'un receptacle à trois fourchons et prise de mise à terre pour s'accorder dans un receptacle

avec prise de mise à terre réciproque. Le fil conducteur vert (ou vert et jaune) de la corde électrique est le fil designé comme prise de mise à terre. Ne jamais relier ce fil à un fil autre que celui de prise de mise à terre.

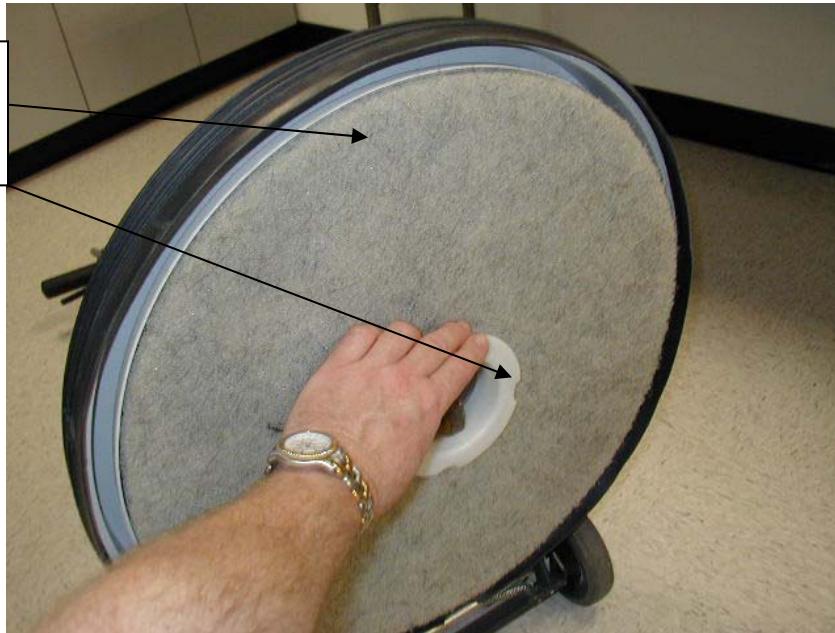
- Appareils estimés à moins de 150 volts - Si ces appareils offrent une prise de courant tel que dans le croquis A, ils sont destinés pour utilisation avec un circuit de 120 volts. Si un receptacle avec prise de mise à terre n'est pas disponible tel que montré au croquis A, un adaptateur tel que vu au croquis C est disponible et devrait être installé tel que montré au croquis B si la boîte électrique est munie d'une prise de mise à terre. Assurez-vous de bien relier la patte de prise avec la vis.
- Appareils destinés à plus de 150 volts - Si ces appareils offrent une prise de courant tel que démontré au croquis D, ils doivent être utilisés avec un circuit de 240 volts. Aucun adaptateur n'est disponible pour cette prise.

ADAPTEUR (Non requis au Canada)

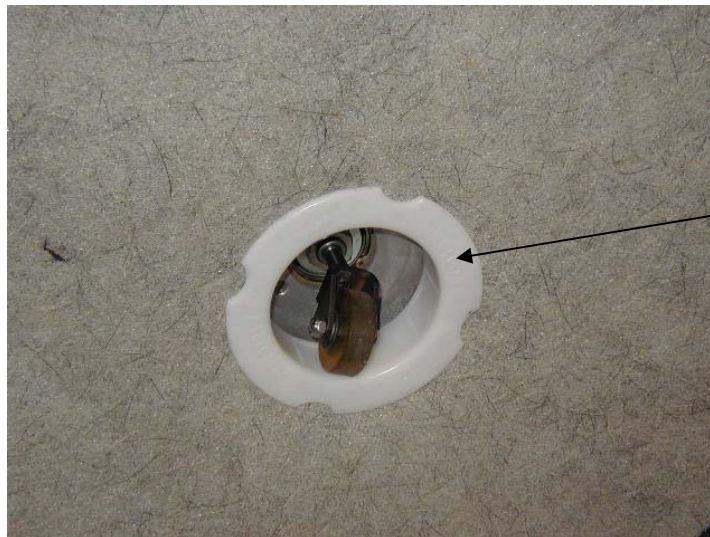


Model 2400 Burnisher Operating Instructions

Install 20 Inch Pad inside pad driver.
Hand Tighten center clip or push straight in.



1. Install the polishing pad on to the pad driver. Make sure your installing a true 20" polishing type pad. Then install the locking centering device cup by lining up the threads on the pad driver and the cup and push straight down, or just screw the cup device onto the pad driver. Hand tighten the cup to the pad driver. Do not force the centering cup if cross-threaded. Because of patented centering cup Just hit the high side of the cup with the palm of your hand to straighten out the cross threading problem. To remove the centering cup hold onto it with one hand and with the other hand spin the pad driver in the opposite direction until the cup is removed.



Hand Tighten or push in. DO NOT FORCE.

2. Plug the machine into a standard 115-volt grounded wall outlet. If an extension cord is required, it must be 3-wire cord. The burnisher is equipped with a 3 wire, 14-gauge cord, 50 feet long. If the extension cord to be used is more than 25 feet a larger wire size cord should be used, preferably a 12-gauge cord no longer than 50 feet long. Failure to use a larger size cord may result in reduced performance and motor overheating. After the cord is properly plugged into the outlet a red light will illuminate on the rear of the operators handle telling the operator you now have power to the machine.

Model 2400 Burnisher Operating Instructions



Pad Pressure Adjustment Knob. When using new pad, turn knob clockwise until pad pressure is decreased. DO NOT FORCE!!!!

3. After the pad is on the machine stand the burnisher up straight on top of the pad so it is flat on the floor. If you are starting with a new pad, decrease the pad pressure adjustment centering wheel as far as it can go. This will raise your pad to the highest position. Next by stepping onto the foot locking lever, located on the right side of the machine, push downward with your foot to release the handle. While the handle is lowered down take one of your thumbs and pull either safety interlocking switches, located at the top of the handle, with your fingers grab the lever switch and pull at the same time. CAUTION: This machine has a high starting torque. Have both hands on the control handle when starting to ensure complete control.



Safety Interlocking switches

With handle upright, release foot lever.

Model 2400 Burnisher Operating Instructions

4. After the machine has started the pad pressure gauge, located at the backside near the rear of the base, should be reading at the top of the white zone, or telling the operator the pad is off the floor. Now, to increase the pad pressure keep the burnisher running with one hand and pushing the machine in a back and forth motion. With the other hand turn the center adjustment knob, in the center of the base, to the increase clockwise position until the gauge gets to the 15 amp red line. After the meter needle reads between the lower edge of the red zone, or 15 amps, you have reached the proper polishing pressure. If the burnisher runs over a high spot, the gauge needle will go into the top of the red zone, but should fall back into the safety-working zone as you go along. As the pad is being used more pad pressure will be required just by running the machine back and forth and screwing the adjustment knob to the increase position until the needle reaches 15 amps, or the bottom of the red safety working zone. If the operator works too long in the red zone the machine will trip the thermo-reset breaker located at the rear base of the machine. To prevent it from happening again adjust the pad pressure screw knob counter clockwise to decrease pad pressure.

Pad Pressure Gauge. Needle will "peg" then drop to its normal pressure. Adjust pad pressure knob so pad pressure gauge reads at the 15 amp red line. Be sure to keep unit moving to prevent damage to the floor.



5. The machine should always be started with the pad pressure fully decreased when using a new pad, and then adjusted to the correct pad pressure.
6. Burnish with the machine in a straight line. The pace of the machine should be determined by the condition of the floor. Normally the machine can be operated at a slow to medium walking pace. Overlap with the pad driver approximately 2" to 3" when making a pass. For the ease of use, start nearest the wall outlet and work away from this point. **CAUTION:** Do not let the machine sit in one spot for more than 5 to 10 seconds. Due to the high RPM's of this machine and the heat it develops, sitting in one spot longer than this may damage the floor finish and possible the floor itself.

Model 2400 Burnisher Operating Instructions

7. The machine employs an adjustable spring loaded center caster directly in the center of the pad driver. This caster is preset at the factory to have the machine operate at 14.0 to 14.5 amps. If the machine circuit breaker trips, or the wall circuit breaker trips, adjust the center wheel caster to “decrease” the pad pressure on the floor. If the machine is not properly burnishing the floor with full pad contact, adjust the caster to “increase” the pad pressure on the floor.

Pad Pressure Gauge



Carbon Brush
Wear Indicator
Light.

Circuit Breaker

8. This machine employs a motor carbon brush wear indicator light located on the rear base of the machine. This light will illuminate when the brushes are worn to the point where there is approximately 250 hours remaining. The carbon brushes should be replaced shortly after this light indicates excessive wear.

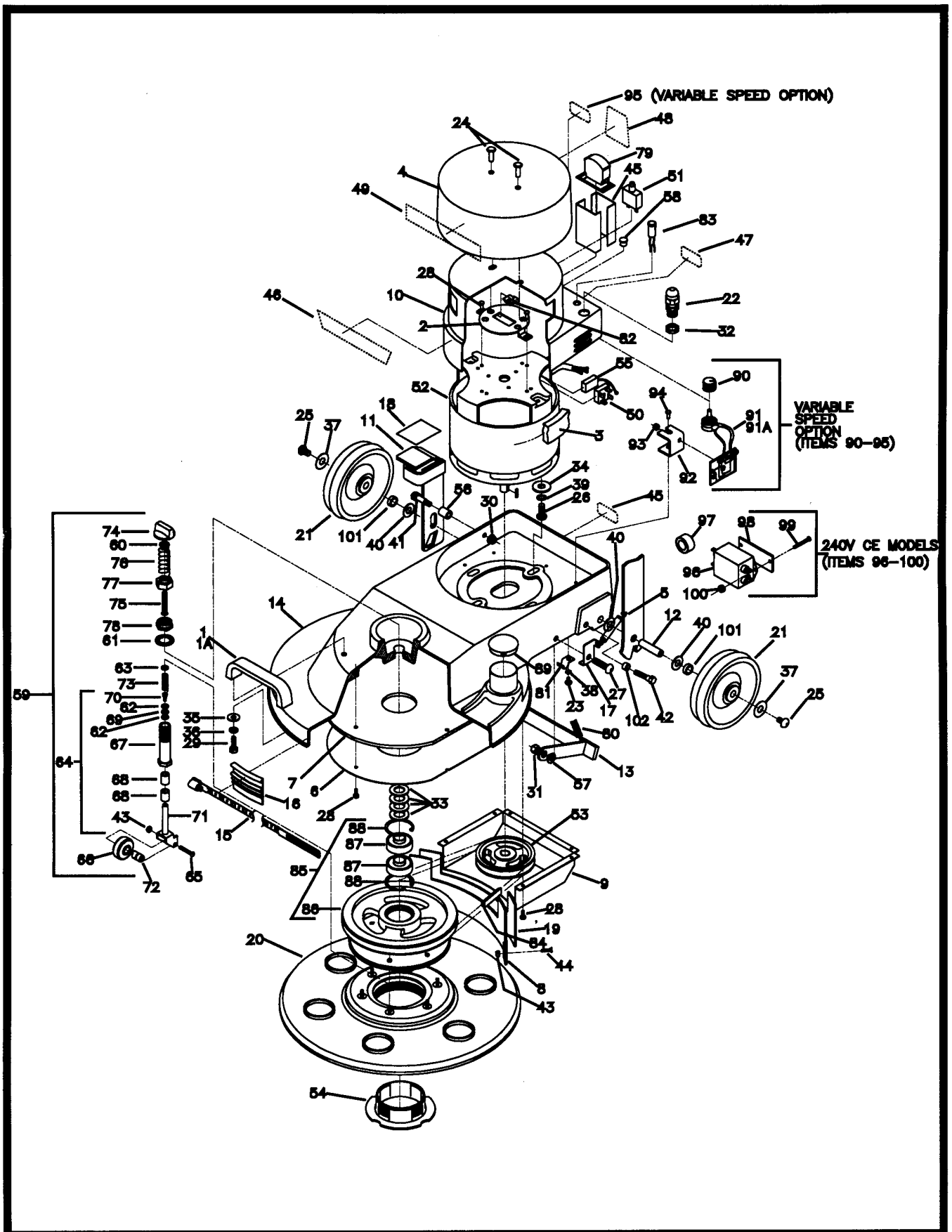
Model 2400 Burnisher Operating Instructions

Preventive Maintenance

1. Inspect motor carbon brushes approximately every 250 hours. A set of carbon brushes should last as long as 2500 hours. Premature wear may indicate other problems with the motor. These can be inspected by removing the motor cover. Indications for changing carbon brushes would be if the indicator light comes on or if the carbon brushes are flush with or slightly recessed in the brass brush holder.
2. Periodically clean the motor by removing the motor cover and blowing it out with compressed air.
3. Check the drive belt of wear and proper tension. Retention the belt by loosening the four motor mount screws, then apply force to the motor toward the rear of the machine. Take out excessive slack. Do not overtighten the belt. This can cause excessive loads to the bearings and reduce the belt life.

Trouble Shooting

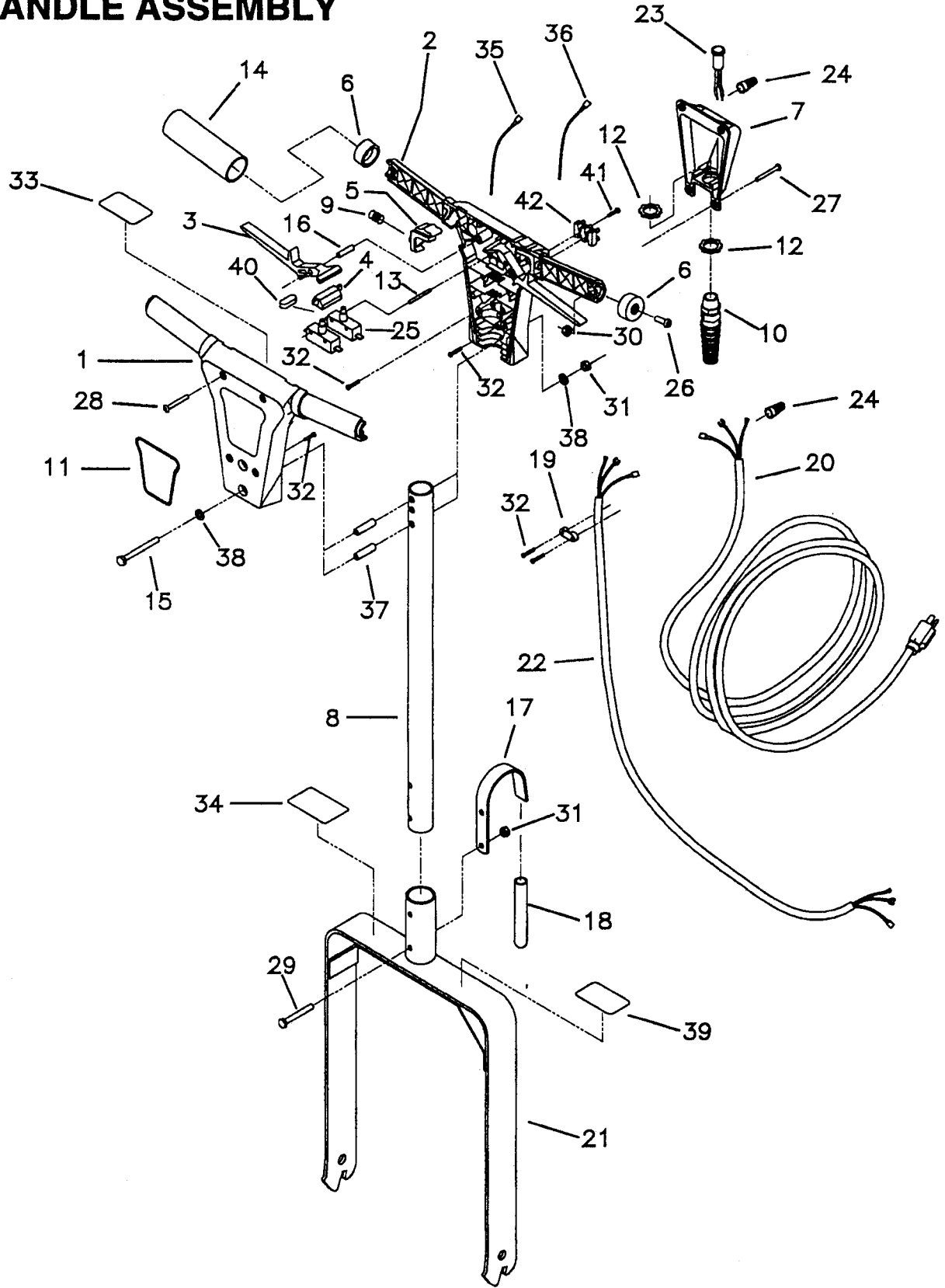
1. Machine will not start.
 - A. Check to see if the machine circuit breaker is reset.
 - B. Check to see if there are any disconnected wires at the motor or switches.
 - C. Check to see if the "on/off" switch and safety switch are activating.
2. Motor will not start, circuit breaker trips.
 - A. Check rectifiers in the motor for damage.
 - B. Inspect internal wiring for loose connections or direct shorts.
 - C. Inspect carbon brushes for excessive wear.
3. Machine runs a short period of time, then the circuit breaker trips.
 - A. Check motor carbon brushes for wear.
 - B. Adjust pad pressure to the floor to relieve pad pressure.
 - C. Extension cord under size, pulling a low voltage.



BASE ASSEMBLY

Item	Part No.	Qty.	Description	Item	Part No.	Qty.	Description
1	130040PTD	1	Handle	51A	740106	1	Circuit Breaker 9A 240V
1A	130040CTD	1	Handle - Coated 240V CE	52	742115	1	Motor 1.5 HP 115V
2	150208	1	Motor Bracket	52A	742230	1	Motor 1.5 HP 240V
3	150209	1	Foam Tape	53	760028	1	Pulley (1500 rpm)
4	190028	1	Motor Cover	53A	832409	1	Pulley (2400 rpm & variable)
5	210413	1	Extension Spring	54	760401	1	Center Cup
6	230002	1	Housing Plate	55	762160	4	Carbon Brush 115V
7	230003	1	Housing Plate Gasket	55A	832821	1	Carbon Brush 240V (set of 4)
8	230004	1	Curved Sealing Plate 17"	56	762318PLT	1	Sleeve .375 x .623 x .75
8A	230022	1	Curved Sealing Plate 20"	57	829014	2	Flanged Bushing
9	230005	1	Rear Closure 17"	58	830803	1	Goof Plug
9A	230023	1	Rear Closure 20"	59	832480	1	Caster Assembly
10	230006	1	Motor Shroud	60	711319	1	Nut-Hex 5/16-18
11	230010	1	Release Pedal Weldment	61	711559	1	WSR-Lock Internal 3/4
12	230013	1	Axle	62	712763	2	Bearing Race Washer
13	230016	1	Release Weldment	63	712764	1	WSR #10
14	230017MCH	1	Base Casting 17"	64	750161	1	Caster Pin Assembly
14A	230017CE	1	Base Coating 17" - 240V CE	65	712533	1	SCR-MC 10-24 x 1.25
14B	230020MCH	1	Base Casting 20"	66	762018	1	Center Caster Wheel
14C	230020CE	1	Base Casting 20" - 240V CE	67	787791	1	Brush Shaft
15	230019	1	Clamp Band Assy. 17"	68	831089	2	Shaft Bushing
15A	230030	1	Clamp Band Assy. 20"	69	832186	1	Thrust Bearing
16	230021	1	Dust Skirt 17"	70	832448	1	Shoulder Bolt
16A	230037	1	Dust Skirt 20"	71	833224	1	Yoke Weldment
17	230024	1	Spring Bracket	72	833368	1	Caster Bushing
18	230031	1	Non-Skid Strip	73	831542	1	Spring
19	230036	1	Foam Gasket	74	832418	1	Adjustment Knob
20	833199	1	Pad Driver Assy. 17"	75	832453	1	Adjustment Screw
20A	833900	1	Pad Driver Assy. 20"	76	833102	1	Spring
21	230043	2	Wheel, 6"	77	833507PLT	1	Cap Nut
22	450050	1	Bushing	78	880023	1	Nut-Nyloc 3/4-16
23	710153	1	SCR-MC 10-32 x .37	79	832552	1	Meter-AMP 115V 0-25 AMP
24	710196	2	SCR-MC 5/16-18 x .62	79A	832819	1	Meter-AMP 240V 0-15 AMP
25	710985	2	SCR-SC 3/8-16 x .62	80	832619	1	Spring
26	710986	4	SCR-SC 3/8-16 x 1.00	81	832623	1	Spring Clamp
27	710987	2	SCR-SC 3/8-16 x 1.50	82	832829	2	Nut-U Type 5/16-18
28	711104	11	SCR-ST-A 10 x .50	83	832859-1	1	Indicator Light 115V
29	711205	2	BLT-HH 1/4-20 x .75	83A	832860-1	1	Indicator Light 240V
30	711379	1	Nut-Flanged Wizz 5/16-18	84	833074	1	Belt A39 - (1500 rpm)
31	711380	2	Nut-Nyloc 3/8-16	84A	832574	1	Belt A40 - (2400 rpm & variable)
32	711400	1	Nut-Pipe Lock 1/2	85	833212	1	Pulley Shaft Assembly
33	711512	4	WSR-Flat .75 x 1.37 x .08	86	833122BAL	1	Drive Pulley
34	711515	4	WSR-Flat .44 x .87 x .07	87	881060	2	Bearing .75 ID w/Collar
35	711519	2	WSR-Flat .25 x 1.01 x .06	88	881317	2	Retaining Ring
36	711544	2	WSR-Helical 1/4	89	833823	1	Dome Plug
37	71-37-A	2	WSR-Special	90	190031	1	Knob
38	711553	1	WSR-Internal Lock #10	91	742260	1	Triac Control (120V)
39	711555	4	WSR-Internal Lock 3/8	91A	742261	1	Triac Control (230V)
40	711592	3	WSR-Nylon .5 x 1.06 x .06	92	230039	1	Heat Sink
41	712081	1	BLT-SDR 5/16-18 x .75 x .375	93	712666	1	Nut-Hex Jam 1/4-28 SS
42	711243	1	Bolt-HH 3/8-16 x 1.5	94	710377	1	SCR 1/4-20 x .37 STPL
43	712638	3	Nut-Hex 10-24 Nyloc	95	715191	1	Decal - Speed Control
44	712819	2	SCR-MC 10-24 x .75	96	742256	1	EMI Filter - 240V CE Only
45	230038	2	Meter Shield	97	742254	1	Torroid - 240V CE Only
47	715067	1	Decal, Carbon Brush	98	230040	1	EMI Filter Bracket - 240V CE Only
48	715061	1	Decal, General Warning	99	710158	2	SCR-MC 10-32 x 1.00 ST PL
49	715143	1	Decal	100	711350	2	Nut-Nyloc 10-32
50	740202	1	Rectifier Bridge 115V	101	77-81-A	2	Spacer
50A	740203	1	Rectifier Bridge 240V	102	832122	1	Spacer
51	740220	1	Circuit Breaker 20A 115V				

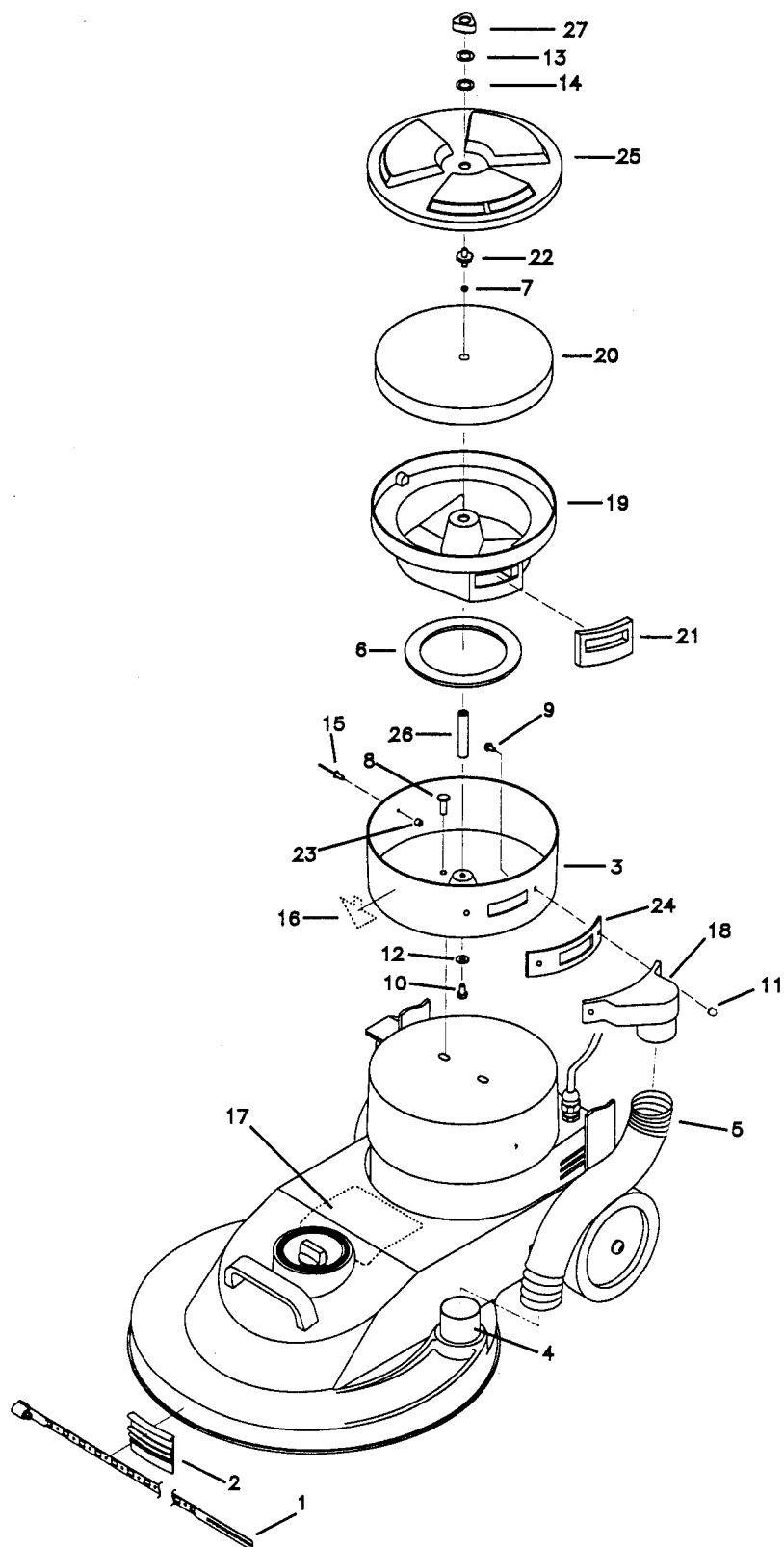
HANDLE ASSEMBLY



PARTS LIST

Item	Part No.	Qty.	Description
1	190022	1	Switch Box Front
2	190023	1	Switch Box Rear
3	190033	2	Switch Trigger Long
4	190008	1	Switch Cap
5	190009	2	Safety Button
6	190006	2	End Cap
7	190024	1	Electrical Box Rear
8	230025	1	Tube Handle
9	190015	2	Trigger Spring
10	150004	1	Strain Relief Heyco 3251
11	715175	1	Decal
12	711400	2	Nut - Pipe Lock 1/2
13	711619	2	Roll Pin 1/8 x 1.50
14	190016	2	Foam Grip
15	710186	2	SCR-MC 1/4-20 x 2.25 TH
16	711620	2	Roll Pin 1/4 x 1.25
17	170040PLT	1	Cord Hook
18	260291	1	Handle Grip
19	190010	1	Strain Relief
20	150002	1	Powercord 14-3 50'
20A	740600	1	Powercord - International
21	230027	1	Yoke Weldment
22	742259	1	Cord, Handle
23	832859	1	Indicator Light (115V)
23A	832860	1	Indicator Light (240V)
24	740044	2	Wire Cap 12 - 18 74B
25	740029	2	Switch 1.5 HP
25A	742307	2	Switch (240V)
26	710380	2	SCR-MC 1/4-20 x .75
27	711160	4	SCR-HI/LO 10 x .63
28	711162	4	SCR-HI/LO 10 x 1.50
29	711214	2	Bolt-HH 1/4-20 x 2.0 STPL
30	711316	2	Nut-Hex 1/4-20
31	711373	4	Nut-Nyloc 1/4-20
32	711128	4	SCR-ST-B HI/LO 8 x .62 PL
33	715354	1	Decal - Warning Handle
34	715237	1	Decal - Read Manual/Foot Lever Optional
35	740361	1	Wire Assembly 14 Gauge White 6"
36	740362	1	Wire Assembly 14 Gauge Black 6"
37	190029	2	Sleeve
38	711504	4	WSR-Flat 1/4 ID SS
39	715081	1	Decal - Patent Numbers
40	190019	1	Switch Pad (240V)
41	712088	2	SCR-HI/LO 8-18 x .75
42	740036	1	Terminal Block (240V)

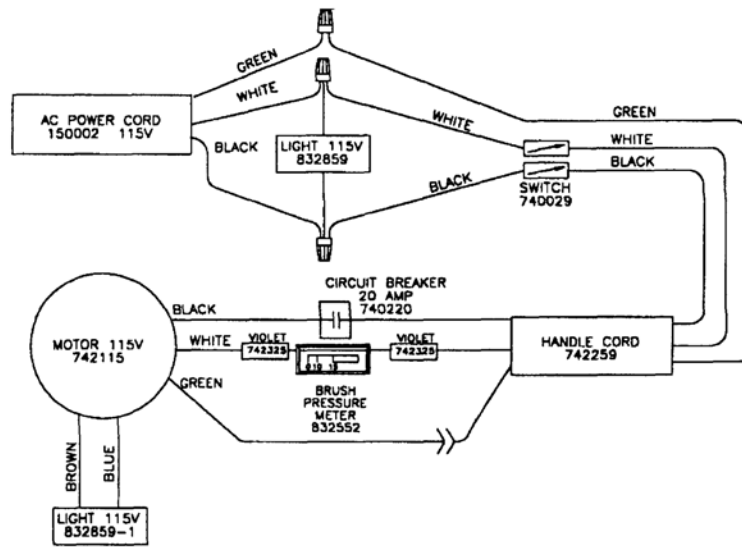
DUST CONTROL OPTION



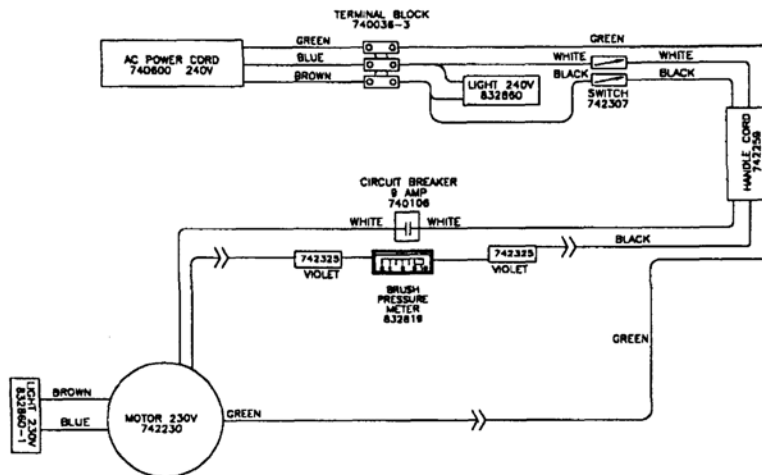
PARTS LIST

Item	Part No.	Qty.	Description
1	230019	1	Clamp Band Assy. 17"
1A	230030	1	Clamp Band Assy. 20"
2	230021	1	Dust Skirt 17"
2A	230037	1	Dust Skirt 20"
3	230033	1	Filter Housing
4	230034	1	Dust Tube
5	230101	1	Dust Hose
6	380035	1	Gasket
7	390061	1	O-Ring
8	710197	2	SCR-SC 5/16-18 x .62
9	710553	2	SCR-MC 10-32 x .37
10	711202	1	BLT-HH 1/4-20 x .50
11	711351	2	Nut-Acorn 10-32
12	711505	1	WSR-Flat 1/4
13	711524	1	WSR-Wave .52 x .87 x .01
14	711594	1	WSR-Flat .56 x .88 x .03
15	711903	1	Rivet-Pop .19 x .25
16			
17	715234	1	Decal - Pad Pressure
18	762131PTD	1	Hose Fitting
19	762132	1	Dust Collection Tray
20	762403	1	Filter Pad
21	762404	1	Filter Gasket
22	762409PLT	1	Thread Pin Retainer
23	462410	1	Bushing .196 x .312 x .265
24	762411	1	Gasket - Dust Collection Tray
25	762415	1	Filter Housing Cover
26	762416PLT	1	Threaded Spacer
27	833214	1	Knob - 1/4-20"

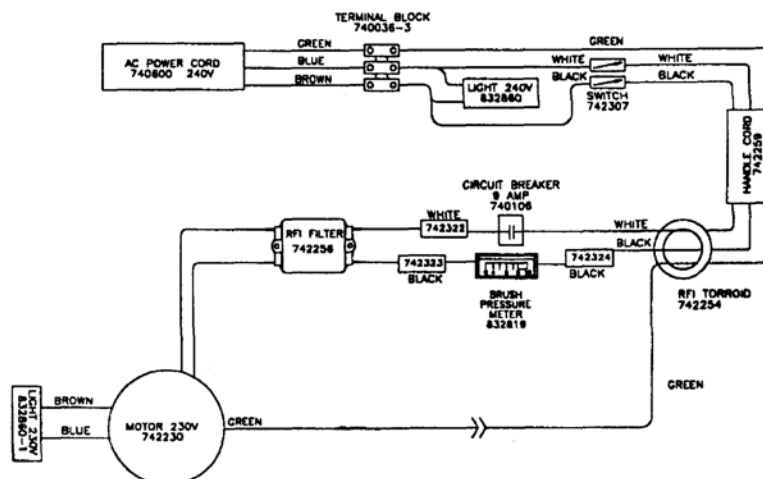
WIRING DIAGRAM 115V SINGLE SPEED MODELS



WIRING DIAGRAM 230V SINGLE SPEED MODELS



WIRING DIAGRAM 230V CE SINGLE SPEED MODELS



LIMITED WARRANTY

Minuteman International, Inc. warrants to the original purchaser/user that this product is free from defects in workmanship and materials under normal use and service for a period of three years from date of purchase. In addition, Minuteman International, Inc. will, at its option, honor labor warranty claims for the first 12 months from date of sale, provided such claims are submitted through and approved by factory authorized repair stations. Minuteman International, Inc. will, at its option, repair or replace without charge, except for transportation costs, parts that fail under normal use and service when operated and maintained in accordance with the applicable operation and instruction manuals.

This warranty does not apply to normal wear, or to items whose life is dependent on their use and care, such as belts, cords, switches, hoses, rubber parts, electrical motor components or adjustments. Parts not manufactured by Minuteman International, Inc. such as engines, batteries, battery chargers, hydraulic pumps, and tires are covered by and subject to the warranties and/or guarantees of their manufacturers. Please contact Minuteman International, Inc. for procedures in warranty claims against these manufacturers.

Special warning to purchaser — Use of replacement filters and/or prefilters not manufactured by Minuteman International, Inc. or its designated licensees, will void all warranties expressed or implied.

A potential health hazard exists without exact original equipment replacement.

All warranted items become the sole property of Minuteman International, Inc. or its original manufacturer, whichever the case may be.

Minuteman International, Inc. disclaims any implied warranty, including the warranty of merchantability and the warranty of fitness for a particular purpose. Minuteman International, Inc. assumes no responsibility for any special, incidental or consequential damages.

This limited warranty is applicable only in the U.S.A. and Canada, and is extended only to the original user/purchaser of this product. Customers outside the U.S.A. and Canada should contact their local distributor for export warranty policies. Minuteman International, Inc. is not responsible for costs or repairs performed by persons other than those specifically authorized by Minuteman International, Inc. This warranty does not apply to damage from transportation, alterations by unauthorized persons, misuse or abuse of the equipment, use of non-compatible chemicals, or damage to property, or loss of income due to malfunctions of the product.

If a difficulty develops with this machine, you should contact the dealer from whom it was purchased.

This warranty gives you specific legal rights, and you may have other rights which vary from state to state. Some states do not allow the exclusion or limitation of special, incidental or consequential damages, or limitations on how long an implied warranty lasts, so the above exclusions and limitations may not apply to you.

Minuteman[®]

World Headquarters
Minuteman International, Inc.
111 South Rohlwing Road
Addison, Illinois 60101

Minuteman Canada, Inc.
2210 Drew Road
Mississauga, Ontario
L5S 1B1

(630) 627-6900
FAX (630) 627-1130

(905) 673-3222
FAX (905) 673-5161

988563
Printed in U.S.A.