



Electronic Service Manuals

This electronic document is provided as a service to our customers. We do not create the contents of the information contained in this document. Should you have detailed questions pertaining to the information contained in this document, you may contact Michco, or the manufacturer which provided the original information in this electronic deliverable. Michco's only part in this electronic deliverable was the electronic assembly process. By providing this manual on line we are not guaranteeing parts availability.

You may contact Michco through the following methods:

Phone (517) 484-9312 or (800) 331-3339

2011 N. High St. -- Lansing, Michigan -- 48906

Fax: (517) 484-9836

Email: CustServe@Michco.com

Web site: www.Michco.Com

Parts Web site: www.FloorMachineParts.Com

Order Parts on Line at:

www.FloorMachineParts.Com

Directly to Parts & Service:

By Email: **Shop@Michco.com**

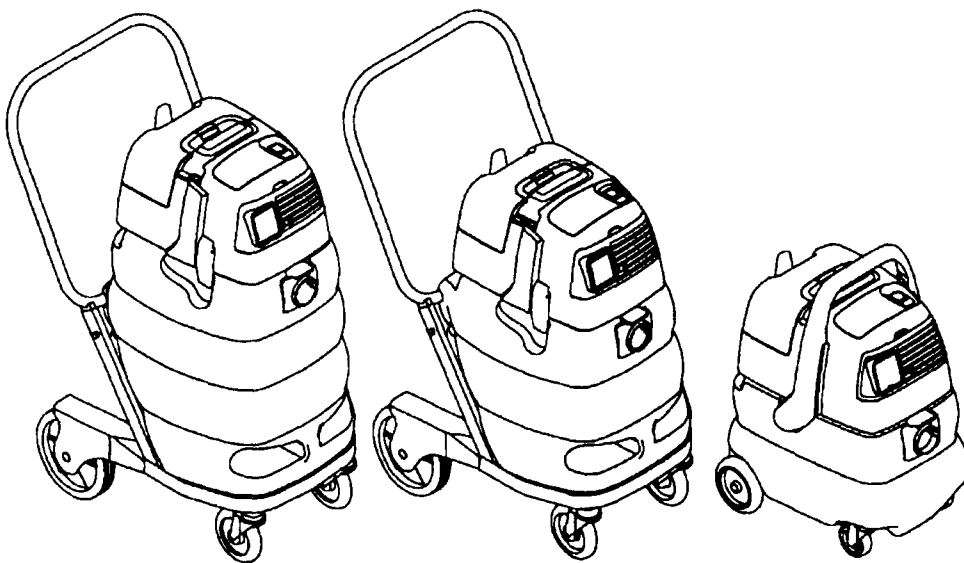
By Fax: (517) 702-2041

By Voice: Use numbers above.

Serving the Cleaning Industry Since 1922

Notice: All copyrighted material remains property of original owners, all trademarks are property of respective owners. Manuals are subject to Manufacturer's reproduction limitations. Originals or reproductions were provided by manufacturers through a request. We make no warranty as to the correctness of information provided in this document and you assume all risk. By placing these manuals on line we are not declaring our corporation to be an manufacturer authorized dealer or provider, please check our web site for authorized manufacturers we represent.

PARTS



WD 225F

WD 245F

WD 260F

SPARE PARTS LIST

Stocks classification

- 1 Indicates parts that are absolutely necessary for maintaining the primary servicing function, as well as accessory-type components.
 - 2 Indicates parts estimated to require a low rate of spare parts availability. On order (are not kept in stock).
- Indicates parts for which spare parts are not normally foreseen.
- The classification list does not include standard parts such as screws, nuts, washers etc.

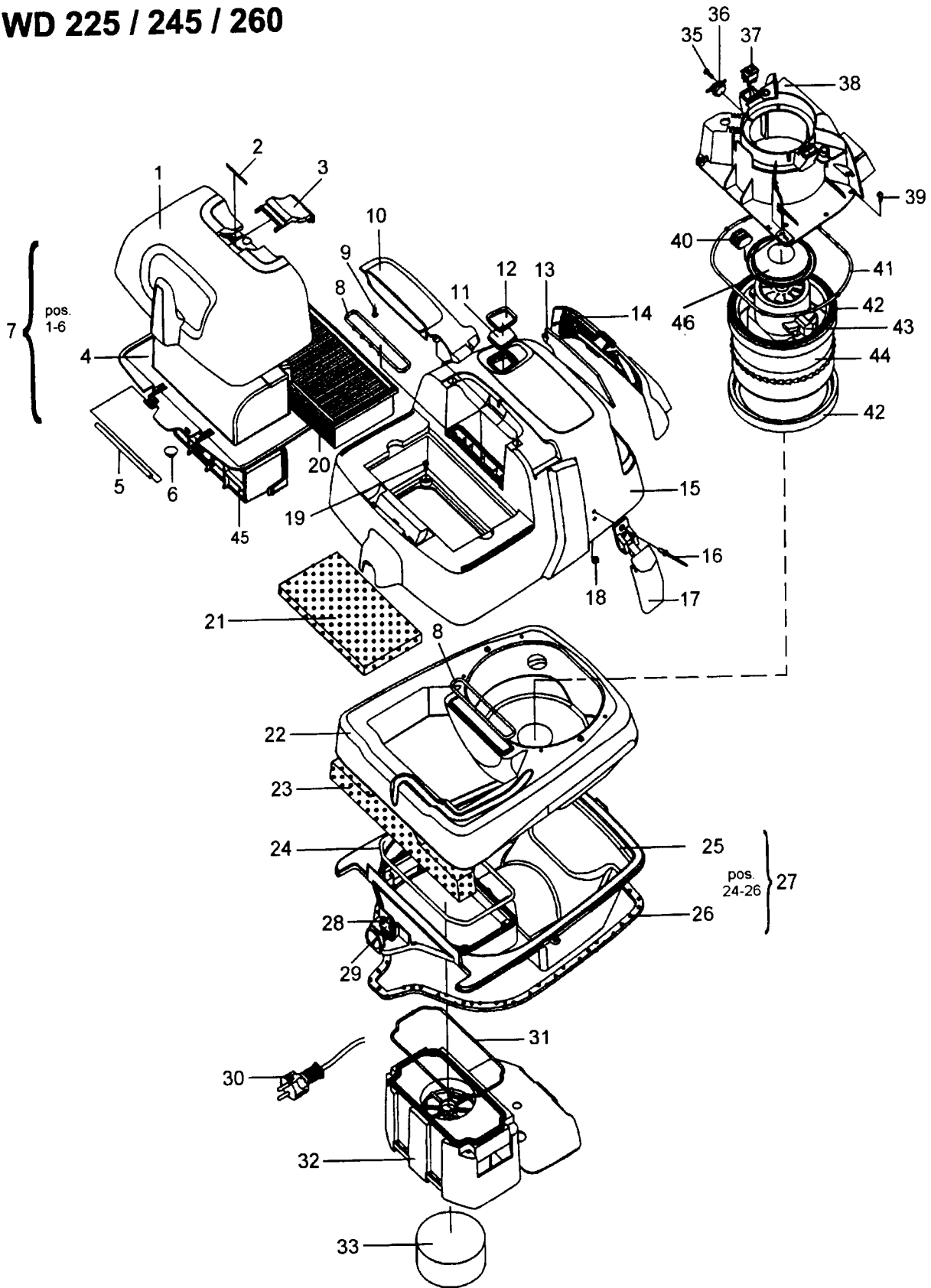
When ordering spare parts always state:

Model • Quantity • Part number • Description

For electrical details also:

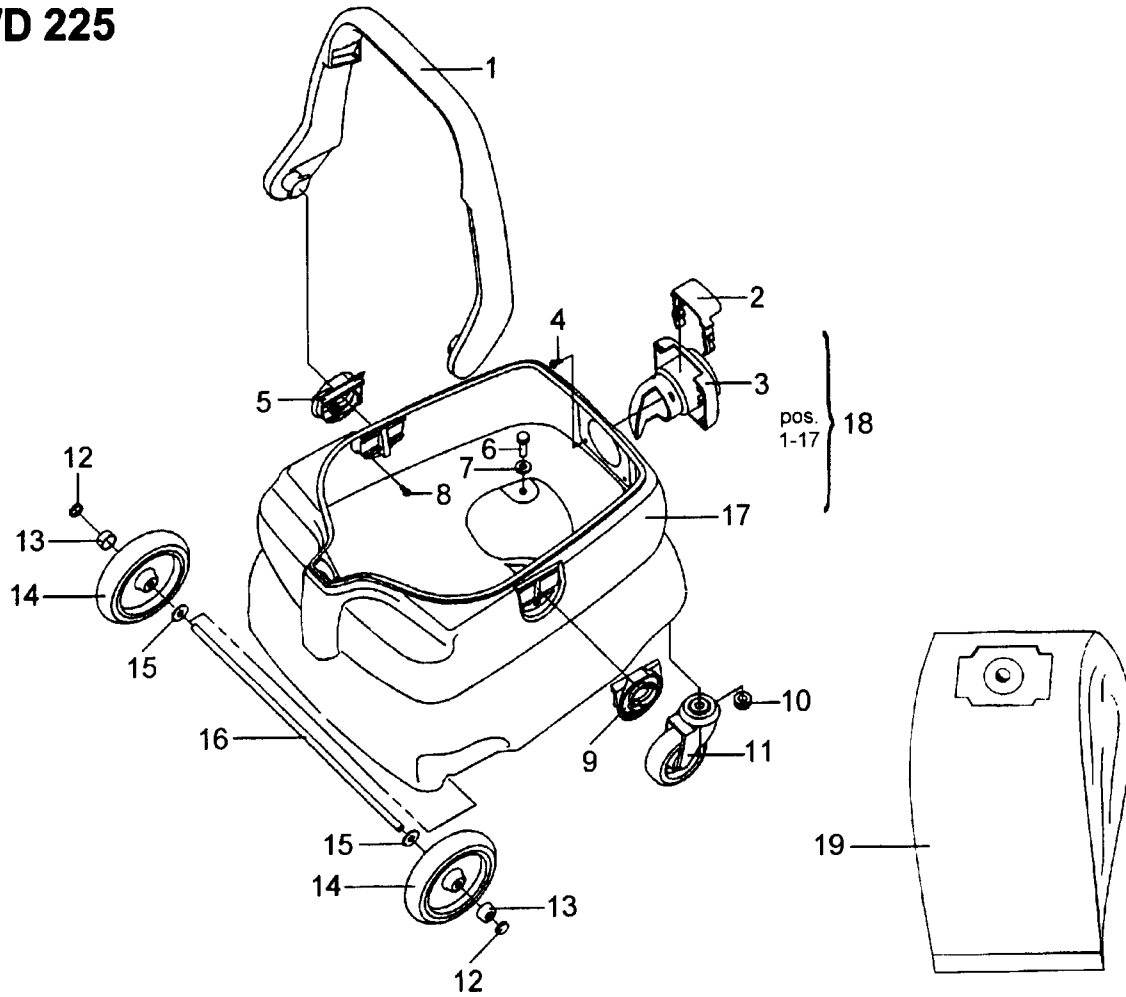
Voltage • Wattage

WD 225 / 245 / 260



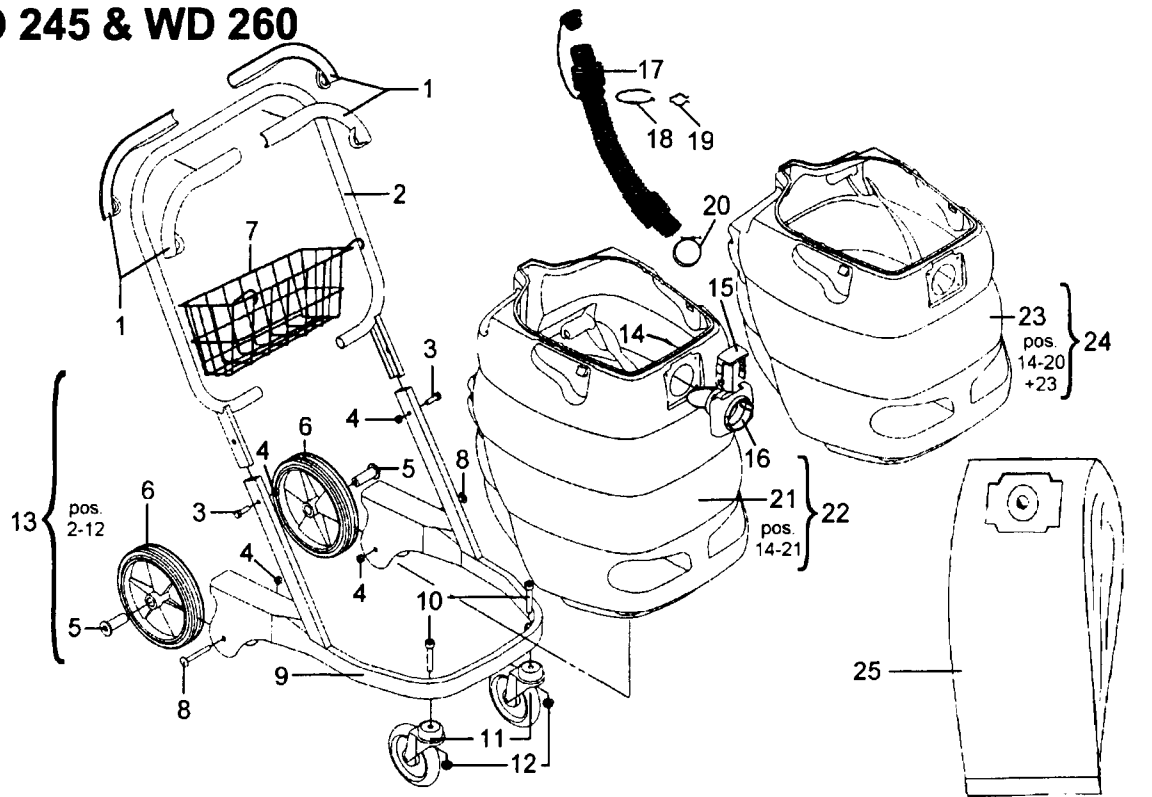
No.	Qty.	Prod.nr.	Description	Stocks class
1	1	140 7236 000	Filter lid	1
2	1	140 7250 000	Spring / Fjäder / Feder	1
3	1	140 7234 000	Lock arm	1
4	1	140 7235 000	Filter holder	1
5	1	140 6936 000	Shaft	1
6	1	140 7372 000	Rubber foot	1
7	1	140 7219 000	Filter lid cpl. pos.1-6	2
8	2	140 7249 000	Sealing ring	2
9	2	140 9214 070	Screw	2
10	1	140 7221 000	Handle	1
11	1	140 7222 040	Protection hood	1
12	1	140 7223 000	Locking ring	1
13	1	140 7231 000	Exhaust filter	1
14	1	140 7232 010	Filter holder	1
15	1	140 7214 080	Cover, KENT WD 245/260	1
15	1	140 7214 011	Cover, KENT 225	1
16	4	140 5694 050	Rivet, only for WD 245/60	-
17	2	140 7608 000	Latch, only for WD 245/60	1
18	4	734 4850 010	Washer	-
19	4	140 9214 150	Screw	2
20	1	140 7215 000	Filter, not for WD 225	1
21	1	140 7258 000	Pre-filter	1
22	1	140 7212 010	Motor box	2
23	1	140 7253 000	Diffusor	2
24	1	140 7302 010	Sealing ring	1
25	1	140 7211 000	Middle part	1
26	1	140 0061 030	Gasket	1
27	1	140 7248 000	Middle part cpl. pos.24-26	2
28	2	140 9214 040	Screw	1
29	1	056 1014 060	Anti strain clip	1
30	1	140 3859 080	Cord	1
31	1	140 7249 010	Sealing ring	1
32	1	140 7611 000	Float basket	1
33	1	140 8231 000	Float body	1
35	1	140 6843 000	Screw	2
36	1	140 7058 000	Thermal protection	1
37	1	140 7217 000	Switch	1
38	1	140 7213 010	Cover	2
39	4	140 9214 190	Screw	2
40	1	140 7244 010	Connector	2
41	1	140 7225 000	O-ring	2
42	2	140 6909 000	Sealing ring	1
43	2	140 7169 010	Carbon brush	1
44	1	140 7154 020	Fan unit	1
45	1	140 7271 020	Hepa filter (Accessory)	1
46	1	140 7209 000	Extract damping	1

WD 225



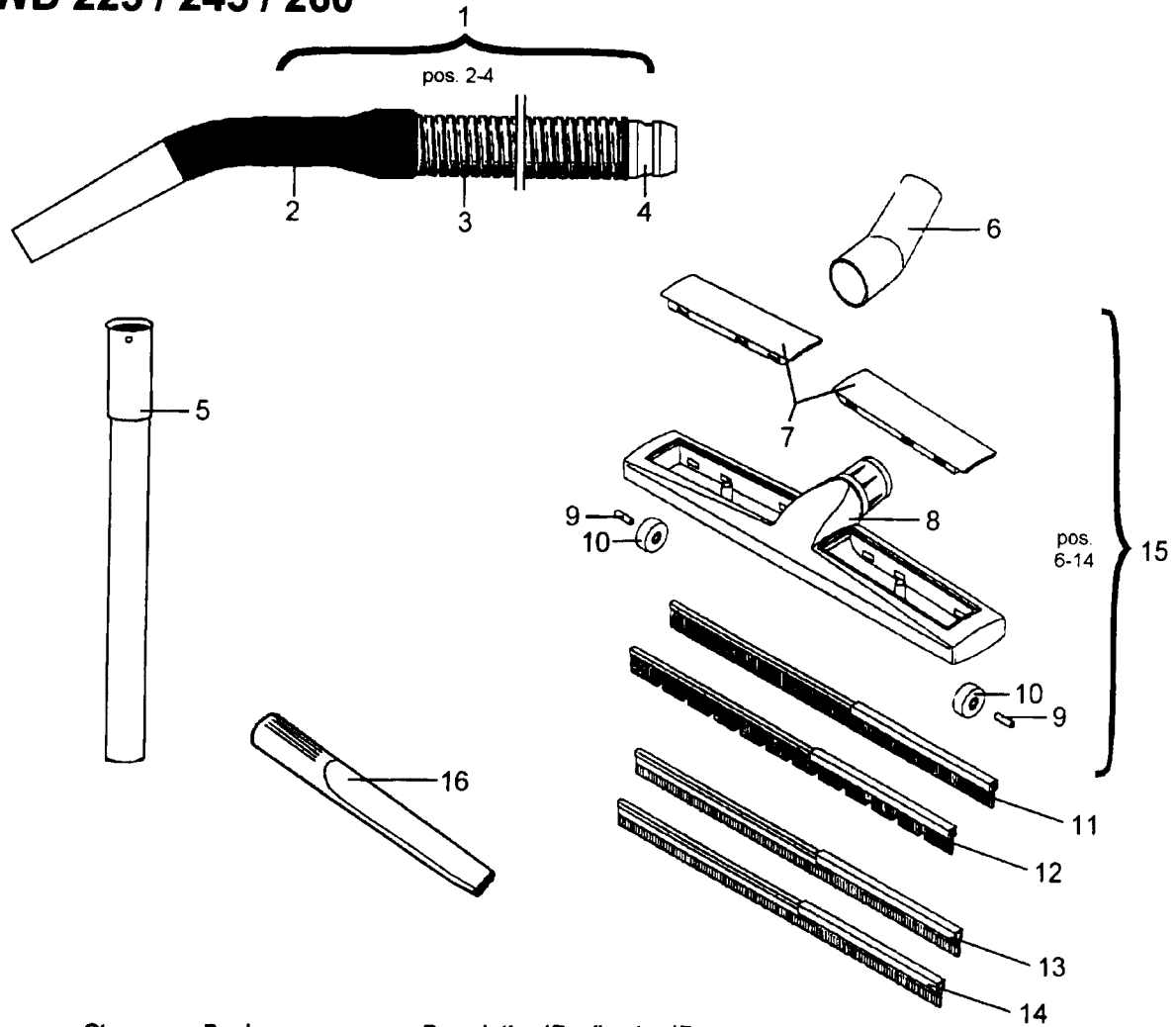
No.	Qty.	Prod.nr.	Description / Benämning / Benennung	Stocks class
1	1	140 7206 000	Handle	1
2	1	140 7205 000	Trigger	1
3	1	140 7204 000	Inlet	1
4	4	140 9214 010	Screw	2
5	1	140 7207 010	Bracket, left	2
6	2	725 2453 400	Screw	2
7	2	734 1164 090	Washer	2
8	6	140 9214 000	Screw	2
9	1	140 7207 000	Bracket, right	2
10	2	140 7594 000	Nut	2
11	2	140 5476 020	Link wheel	1
12	2	140 5058 000	Lock washer	1
13	2	140 5057 000	Protection washer	1
14	2	140 7592 000	Wheel	1
15	2	734 1822 510	Washer	2
16	1	140 5059 010	Shaft	1
17	1	140 7203 000	Tank 25L	1
18		140 7202 000	Tank cpl. pos.1-17	2
19		140 7208 000	Dust bag 1 pc.	1
20	1	140 7629 010	Floor nozzle	1

WD 245 & WD 260



No.	Qty.	Prod.nr.	Description/Benämning/Bennennung	Stocks class
1	2	140 7624 000	Rubber handle (Accessory)	2
2	1	140 7619 000	Handle	1
3	2	725 2448 510	Screw	1
4	4	732 2118 010	Locking nut	1
5	2	140 7622 000	Spacer	1
6	2	140 8156 000	Wheel	1
7	1	140 4807 010	Basket (Accessory)	1
8	2	727 6464 010	Bolt	1
9	1	140 7609 000	Bracket	1
10	2	725 5502 010	Screw	1
11	2	140 4664 000	Link wheel	1
12	2	732 2120 010	Locking nut	1
13		140 7610 000	Trolley cpl. pos.2-12	2
14	4	140 9214 010	Screw	1
15	1	140 7205 010	Trigger	1
16	1	140 7204 010	Inlet	1
17	1	140 7604 000	Drain hose	1
18	1	465 0225 040	Plastic strip	1
19	1	140 7623 000	Hose holder	1
20	1	140 7636 000	Hose clamp	1
21	1	140 7603 000	Tank 60L	1
22		140 7602 000	Tank 60L cpl. pos.14-21	2
23	1	140 7601 000	Tank 45L	1
24		140 7600 000	Tank 45L cpl. pos.14-20+23	2
25		140 7633 000	Dust bag 1 pc. WD 245/60 (Accessory)	1
	1	140 7629 010	Floor nozzle	1

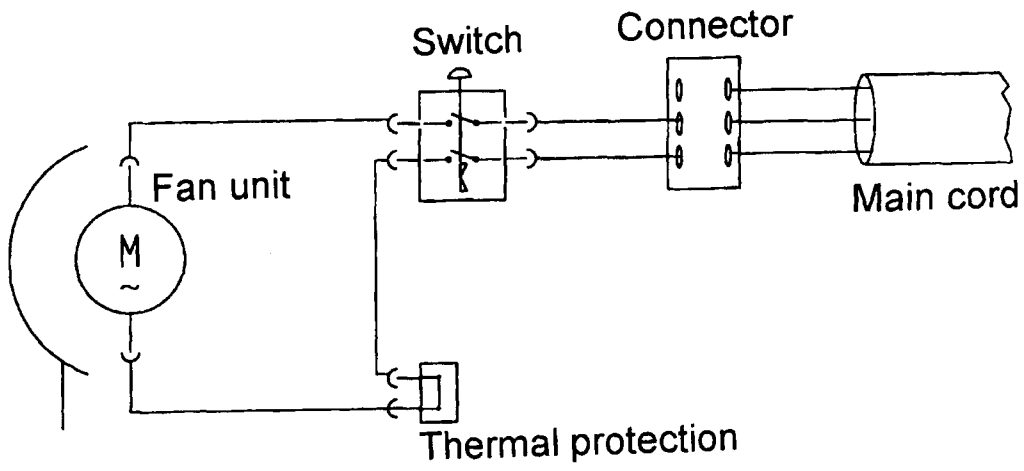
WD 225 / 245 / 260



No.	Qty.	Prod.nr.	Description/Benämning/Bennennung	Stocks class
1	1	140 4001 010	Hose cpl.	1
2	1	140 5132 000	Hose handle cpl.	1
3	1	140 2148 060	Hose only 2,5m	1
4	1	140 3304 030	Inlet	1
5	2	011 6451 010	Extension tube	1
6	1	145 0772 000	Swivel elbow	2
7	2	145 0773 000	Cover	2
8	1	145 0774 000	Base unit	2
9	2	145 0776 000	Shaft	2
10	2	145 0775 000	Roll	2
11	1	145 0777 000	Brush strip, rear	1
12	1	145 0778 000	Brush strip, front	1
13	1	145 0779 000	Rubber strip, front	1
14	1	145 0780 000	Rubber strip, rear	1
15	1	140 7629 000	Wet nozzle cpl. pos 6-14	
15	1	140 7629 010	Floor nozzle	1
16		140 8258 000	Crevice nozzle, aluminium(Accessory)	1
		010 8738 020	Crevice nozzle, plastic (Accessory)	1

WD 225 / 245 / 260

Wiring diagram



Electrolux Euroclean AB
P.O. Box 127, S-662 23 Åmal, Sweden
Telephone +46 532 17500
Telefax +46 532 71913

822 9370 010 Edition 1 / 9807