



Electronic Service Manuals

This electronic document is provided as a service to our customers. We do not create the contents of the information contained in this document. Should you have detailed questions pertaining to the information contained in this document, you may contact Michco, or the manufacturer which provided the original information in this electronic deliverable. Michco's only part in this electronic deliverable was the electronic assembly process.

You may contact Michco through the following methods:
Phone (517) 484-9312 or (800) 331-3339 MI, OH, IN only
2011 N. High St. -- Lansing, Michigan -- 48906
Fax: (517) 484-9836
Email: CustServ@Michco.com
Web site: www.Michco.Com
Parts Web site: www.FloorMachineParts.Com

Order Parts on Line at:
www.FloorMachineParts.Com

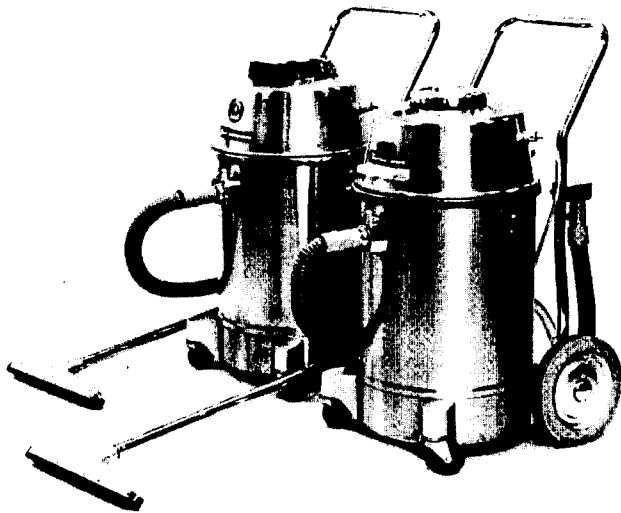
Directly to Parts & Service:
By Email: **Shop@Michco.com**
By Fax: (517) 702-2041
By Voice: Use numbers above.

Serving the Cleaning Industry Since 1922

Notice: All copyrighted material remains property of original owners, all trademarks are property of respective owners. Manuals are subject to Manufacturer's reproduction limitations. Originals or reproductions were provided by manufacturers through a request. We make no warranty as to the correctness of information provided in this document and you assume all risk.

KENT

Industrial/Commercial Wet & Dry Vac



**OPERATING,
MAINTENANCE
INSTRUCTIONS &
ILLUSTRATED
PARTS LIST**

Models

**KT-510
TURBOVAC**

**KT-512
JETSTREAM**

THE KENT COMPANY

2310 Industrial Parkway
Elkhart, IN 46514 (219) 293-8661

Western Branch: 14441 Bonelli St.
City of Industry, CA 91744 (213) 968-0475

September 1978

GENERAL INFORMATION

BEFORE YOU PLUG IN YOUR CLEANER, check the voltage rating plate located on the cleaner near the power switch to check if it agrees within 10% of the voltage available (See "Rating Plate"). Connect only to a grounded (3-wire) electrical outlet.

DO NOT OIL. The motor in your vacuum is permanently lubricated and sealed. Do not oil the motor at any time.

FILTER ASSEMBLY SYSTEM

Your Kent Vacuum contains a highly effective double air filter system; one system is designed for both wet and dry use, the second system is for dry use only (See "Filter Bag and Recovery Tank Maintenance").

The Removable Dry Filter Assembly consists of a paper filter bag (66-1766) and a mitten flannel filter (11-1725).

The Permanently Installed Wet Shutoff Assembly consists of a foam sensitive float mounted in the bag support assembly. The wet shutoff assembly should never be removed and should remain in place for both wet and dry pick up.

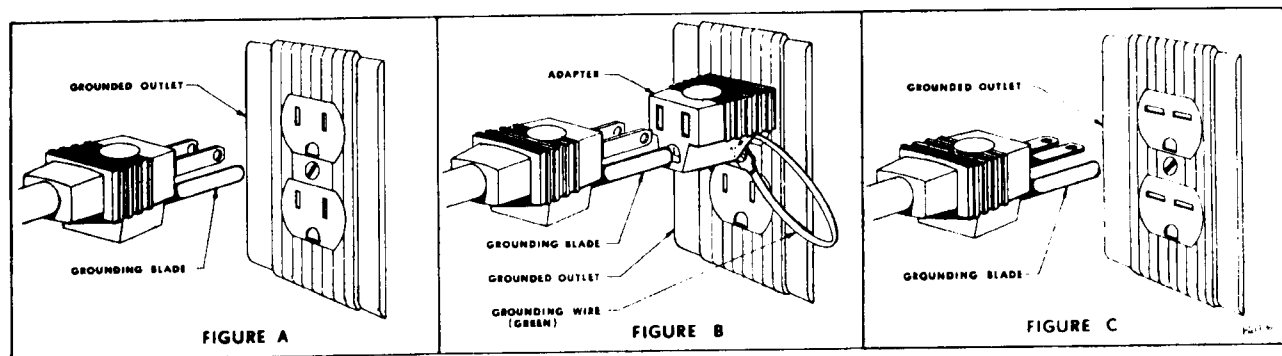
DRY USE

The dry filter assembly must be installed when the unit is used for picking up dry materials. Before using the unit for dry pick up, make sure the dry filter assembly is properly seated. **NEVER OPERATE THE CLEANER FOR DRY USE WITHOUT THE DRY FILTER ASSEMBLY AS DAMAGE TO THE MOTOR MAY RESULT.**

WET USE

When using the unit for wet cleaning, always remove the dry filter assembly and leave the wet shut-off assembly in place. Operating the cleaner for wet pick up with the dry filter assembly installed will damage the dry filters.

GROUNDING INSTRUCTIONS



This appliance should be grounded while in use to protect the operator from electric shock. The appliance is equipped with suitable three-conductor cord and 3-prong grounding-type receptacle. The green (or green and yellow) conductor in the cord is the grounding wire. Never connect the green (or green and yellow) wire to a live terminal. If your unit is for use on less than 150 volts, it has a plug that looks like Figure A. If it is for use on 150 to 250 volts, it has a plug that looks like Figure C. An adapter, Figure B, is available for connecting Figure A plugs to 2-prong receptacles. The green (or green and yellow) grounding wire extending from the adapter must be connected to a permanent ground such as to properly grounded outlet box. No adapter is available for Figure C plugs.

Use only three-wire extension cords which have 3-prong grounding-type plugs and three-prong receptacles that accept the appliance's plug. Replace or repair damaged cords.

SAFETY RECOMMENDATIONS

For long service life and safe use of your vacuum cleaner, we recommend the following guidelines:

Avoid picking up hard or sharp objects with your cleaner to avoid bag breakage, hose clogging, or possible motor damage.

Do not use your vacuum cleaner in areas where flammable and/or explosive vapors or dust are present. Do not use attachments such as a demolisher or paint sprayer that could create such a hazardous condition.

Connect only to a grounded (3-wire) electrical outlet.

Areas cleaned with cleaning fluids should be allowed to dry completely before vacuuming.

Disconnect power cord from electrical outlet before servicing cleaner such as cleaning filter assemblies, emptying tank, etc.

Do not pick up matches, fireplace ashes, or smoking material with cleaner as possible fire hazard may result.

Avoid damage to the hose.

Switch cleaner off before removing power cord from electrical outlet.

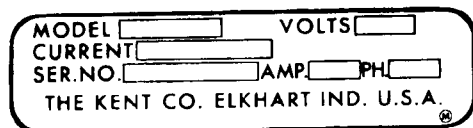
Use care to avoid running cleaner over power cord.

Your vacuum cleaner is not a toy. Do not allow children or unauthorized personnel to play with cleaner. Do not leave cleaner connected to an electrical outlet and left unattended.

Warning -- To avoid electrical shock, use indoors only.

SERVICE INFORMATION

To obtain consistent performance over the life of your vacuum, read through these instructions and keep them handy for future reference. If you require service, contact the dealer from whom the vacuum was purchased, or the local authorized Kent Service Agency. Always refer to your Kent Limited Warranty for complete information.



The model, type, and serial number are indicated on the rating plate. For prompt and complete service information, always refer to these numbers when inquiring about service.

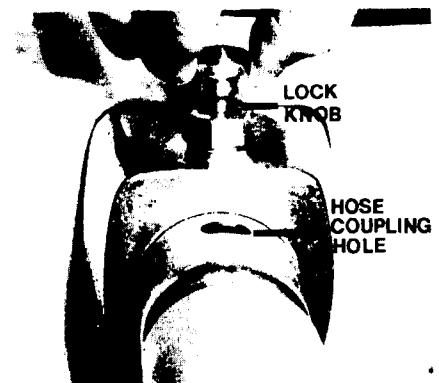
HOW TO USE YOUR VACUUM CLEANER

ON/OFF SWITCH

The ON/OFF switch is conveniently located at the top of the vacuum.

TO CONNECT HOSE TO CLEANER

Grasp hose with fingers and lift lock knob to top of suction opening. Align hole in hose coupling with lock knob. Insert hose all the way into opening until it stops, then release lock knob so hose is locked into position. If lock knob fails to fall into place to secure hose, twist hose coupling until lock knob snaps down into place. (To remove hose, lift up lock knob and pull out hose.)



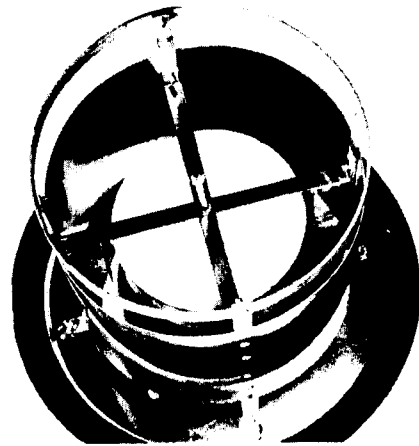
WET SHUT-OFF SYSTEM

Your vacuum is equipped with a permanently installed wet shut-off system that operates automatically when the tank becomes full of liquid, foam, or suds.

When the wet shut-off becomes engaged, you must immediately turn off the machine, disconnect the power cord from the electrical outlet, and empty the tank. The cleaner will not operate until the tank has been emptied.

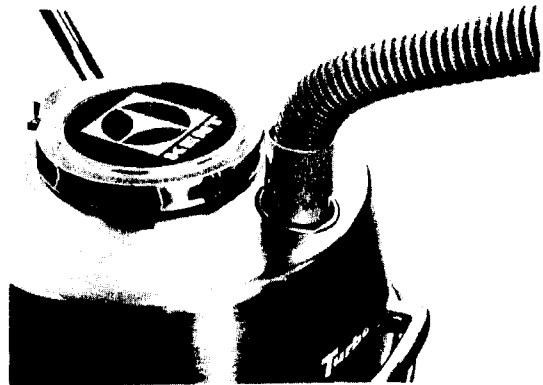
After the tank has been emptied, the wet shut-off will automatically disengage, and the cleaner will be ready for normal use.

NOTE – The wet shut-off assembly is permanently installed and should never be removed.



TO USE THE KENT TURBO VAC FOR BLOWING

The blower is located on top of the motor head with a set screw located on the front of the head. To use the cleaner as a blower, loosen the set screw until the hose cuff will fit completely into the blower port. Tighten the set screw to lock the cuff in place.



FILTER BAG AND RECOVERY TANK MAINTENANCE

Note – Disconnect power cord from electrical outlet before cleaning filter assembly or recovery tank.

Your cleaner contains a highly effective double air filter system; one system is designed for both wet and dry use and the second system is for dry use only.

These filters are vital to the efficient, safe operation of your cleaner. They provide a high rate of air flow while trapping small dirt particles and/or suds. If dirt or suds residue are allowed to build up on these filters, the air flow of your cleaner will be reduced. Therefore, to maintain a high level of efficiency with your cleaner, it is essential that the filter assemblies be cleaned frequently.

TO CLEAN DRY FILTER ASSEMBLY

NOTE – Disconnect power cord from electrical outlet.

Unfasten clamps on each side of cleaner and remove the motor head.

Remove the mitten flannel bag by lifting the metal ring. Lift ring and flannel bag up and out of the cleaner.

NOTE – The paper filter bag may be left on the rim of the can while the heavy dirt is removed. To remove the heavy dirt, tip the machine backwards so it rests on its rear wheels and upper handle section.

Gently reach to the bottom of the can and pull paper bag out.

Grab both large wheels and tilt the vacuum up so that it rests on the handle. Spill the heavy dirt into the paper filter bag. Remove the paper bag from the rim of the can and dispose.

The mitten flannel filter bag is permanently attached to the metal ring and should not be removed for cleaning. This bag may be cleaned by shaking it or gently brushing it.



TO CLEAN WET SHUT-OFF ASSEMBLY

NOTE—Disconnect the power cord from electrical outlet.

The wet shutoff system is located underneath the cleaner lid. After each use, clean the wet shutoff and tank with water.

Clean the tank with mild soap or wipe clean with a damp cloth. The cleaner should be stored in a clean, dry place when not in use.

MICROSTAT ACCESSORY KIT (66-1789)

To install the Microstat Filter Kit to your Jetstream or Turbo Vac vacuum, follow this procedure.

Remove the head from the vacuum and place it on the floor in an inverted position.

Remove the bag support assembly by removing the four (4) wing nuts.

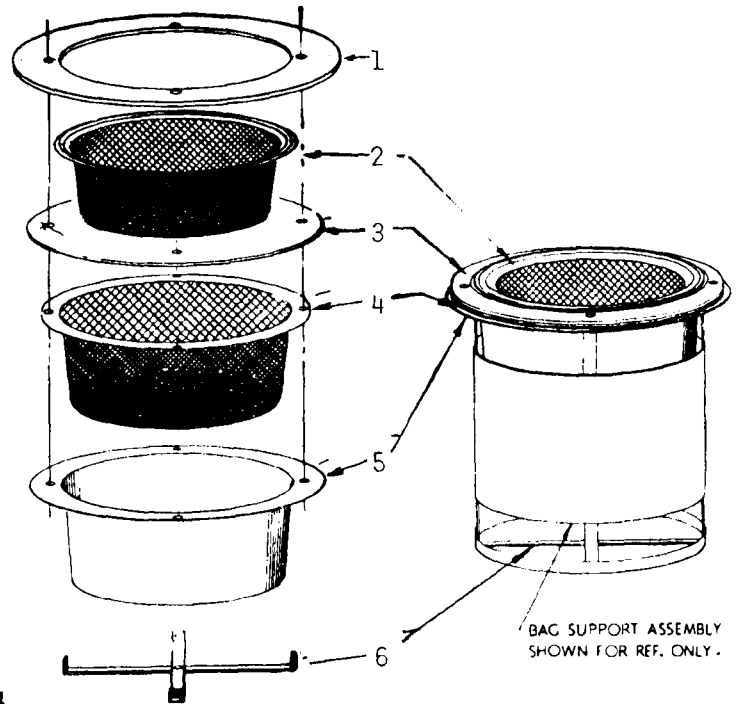
Open the Microstat Kit and:

1. Peel off the paper cover on the rubber gasket and install the gasket over the four screws extending from the base of the head.
2. There are two screws supplied with the kit. Place the inner screen (the smaller of the two) flange against the gasket, inside the four extended screws.
3. Remove the Kent Microstat Filter from the plastic bag (use this bag to dispose of the old germ laden filter).
4. Cover the entire screen with the Microstat filter placing the holes in the filter over the four screws.
5. Place the outer screen (larger of the two) over the screen, slipping the four holes in the screen over the screws.
6. Place the Microstat plenum over the four screws.
7. Replace the Bag Support Assembly and secure it.
8. Place the bag deflector across inside the bag support by placing the holes in the cross over the rivets which extend from each brace of the bag support.

Replace the vacuum head on the can, secure clamps and operate the unit.

**MICROSTAT ACCESSORY KIT
PARTS LIST**

Ref. No.	Part No.	Description	No. Req'd
	66-1789	Microstat Accessory Kit Complete --	
1	11-1576	Gasket—Adhesive back	1
2	11-1589	Retaining Screen Assembly — Inner	1
3	11-1598	Impaction Filter	1
4	11-1592	Retaining Screen Assembly — Outer	1
45	11-1588	Plenum	1
6	11-1596	Bag Deflector Assembly	1
		Bag Support Assembly Shown for Reference Only	



MAINTENANCE OF MOTOR UNIT

Inspect the armature brushes after the first 400 hours of operation and frequently thereafter. They should be replaced when worn to 3/8" in length. Permitting the brushes to be worn to less than 3/8" in length invariably will cause damage to the armature, thus nullifying the warranty. Always replace all brushes at the same time.

No other maintenance of the motors is required and none should be attempted during the first year of purchase.

The warranty card attached to your Kent Vacuum must be filled in and returned to:

The Kent Comany
2310 Industrial Parkway
Elkhart, Indiana 46514

IF THE AIR MOVEMENT IS INTERRUPTED IN THE VACUUM . . .

Check the dust filter to make sure it is clean. To see if the hose has been plugged, remove the hose from the machine, and test suction at the machine intake. Sometimes a plugged tool is responsible, so also check the tools carefully.

SERVICE INFORMATION

To obtain consistent performance from your vacuum, read through these instructions and keep them handy for future reference. If you need service, contact the dealer from whom you purchased your vacuum, or the local authorized Kent service station. Always refer to your Kent Limited Warranty for complete service information.

The model, type and serial number are indicated on the data plate (P. 2). For prompt and complete service information, always refer to these numbers when inquiring about service.

We have found that following these step-by-step procedures results in longer machine life and fewer major service problems. We urge that these procedures be POSTED and carefully followed.

KENT JETSTREAM
 VACUUM HEAD ASSEMBLY
 MODEL KT-512

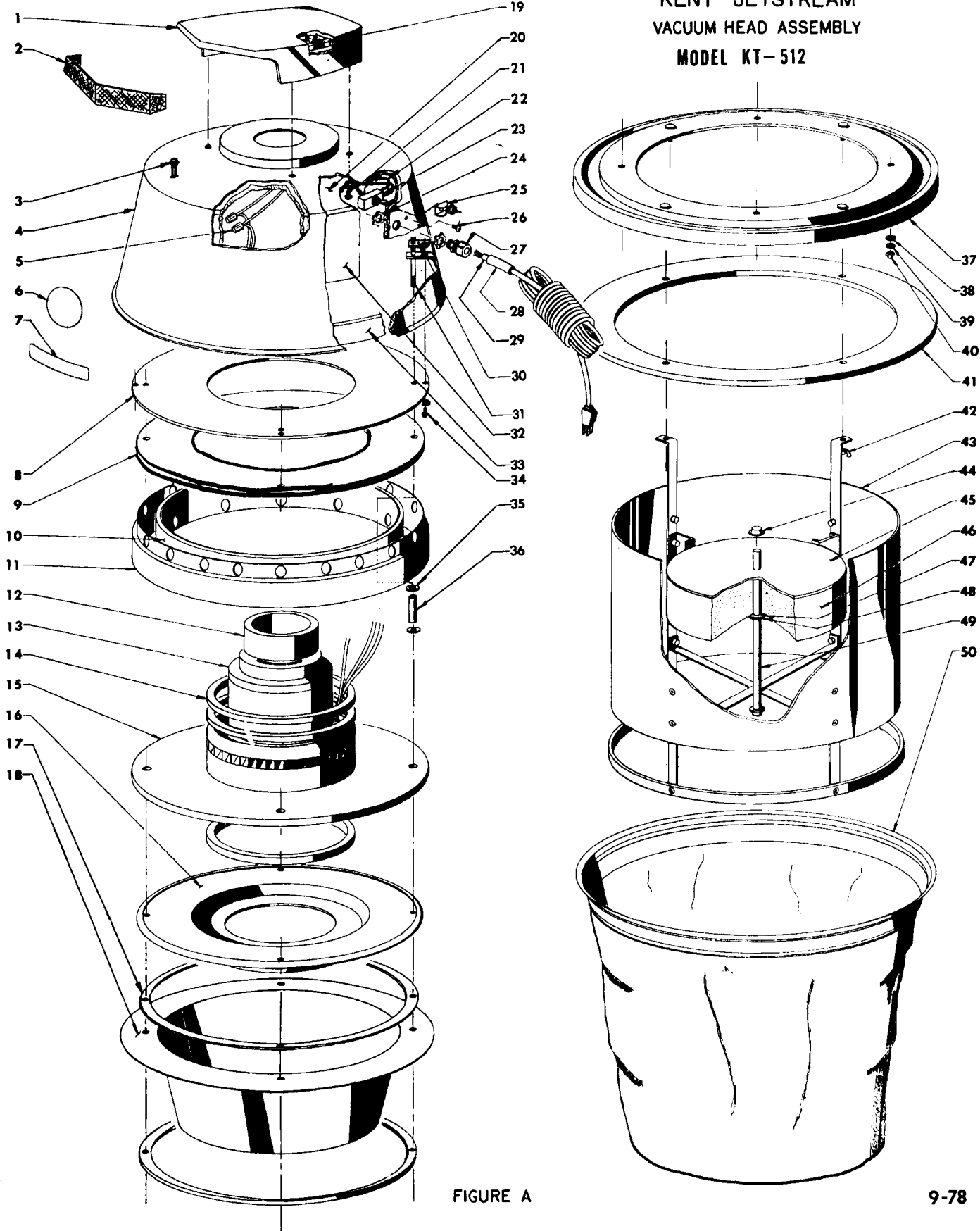
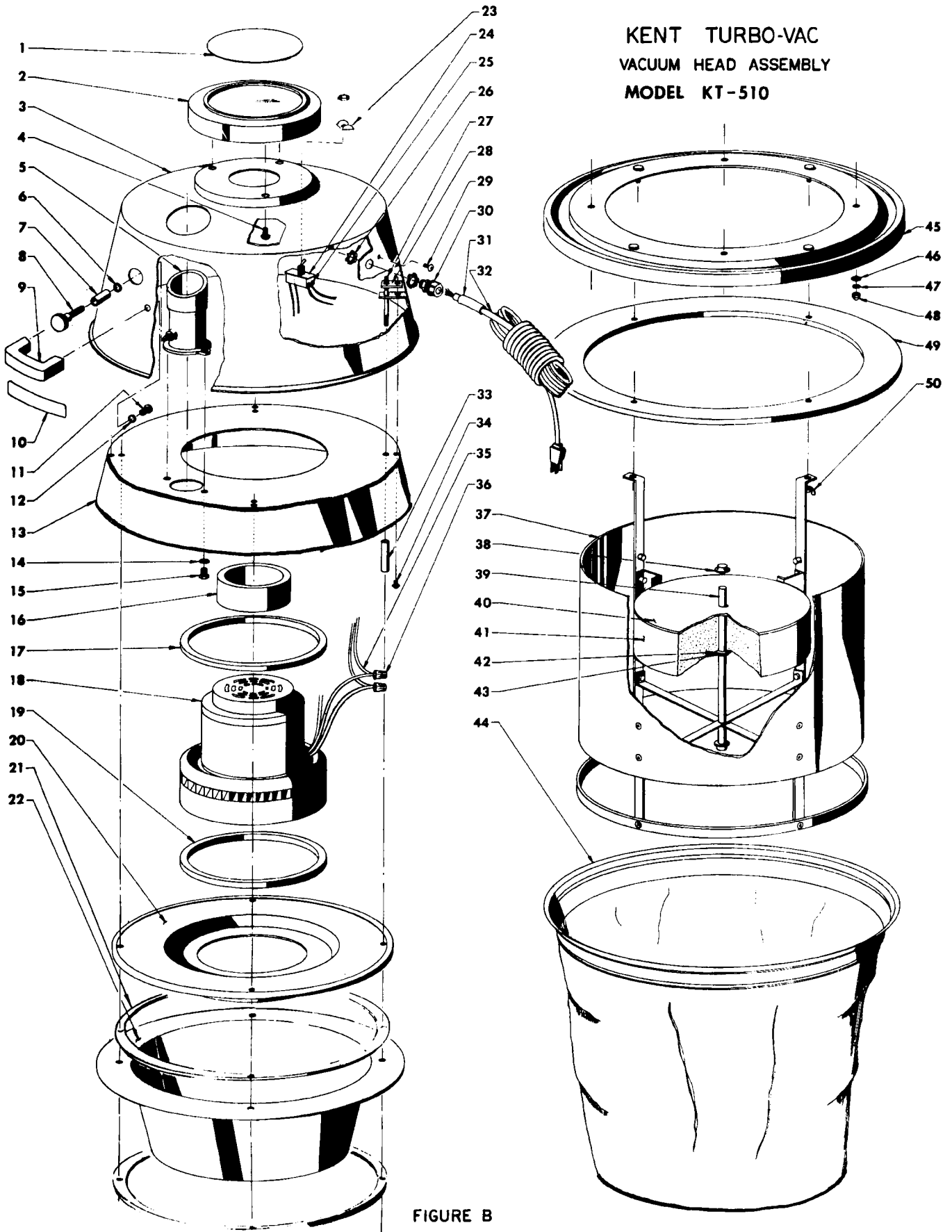


FIGURE A

9-78

KENT TURBO-VAC
 VACUUM HEAD ASSEMBLY
 MODEL KT-510



9-78

TANK & CARRIAGE ASSEMBLY

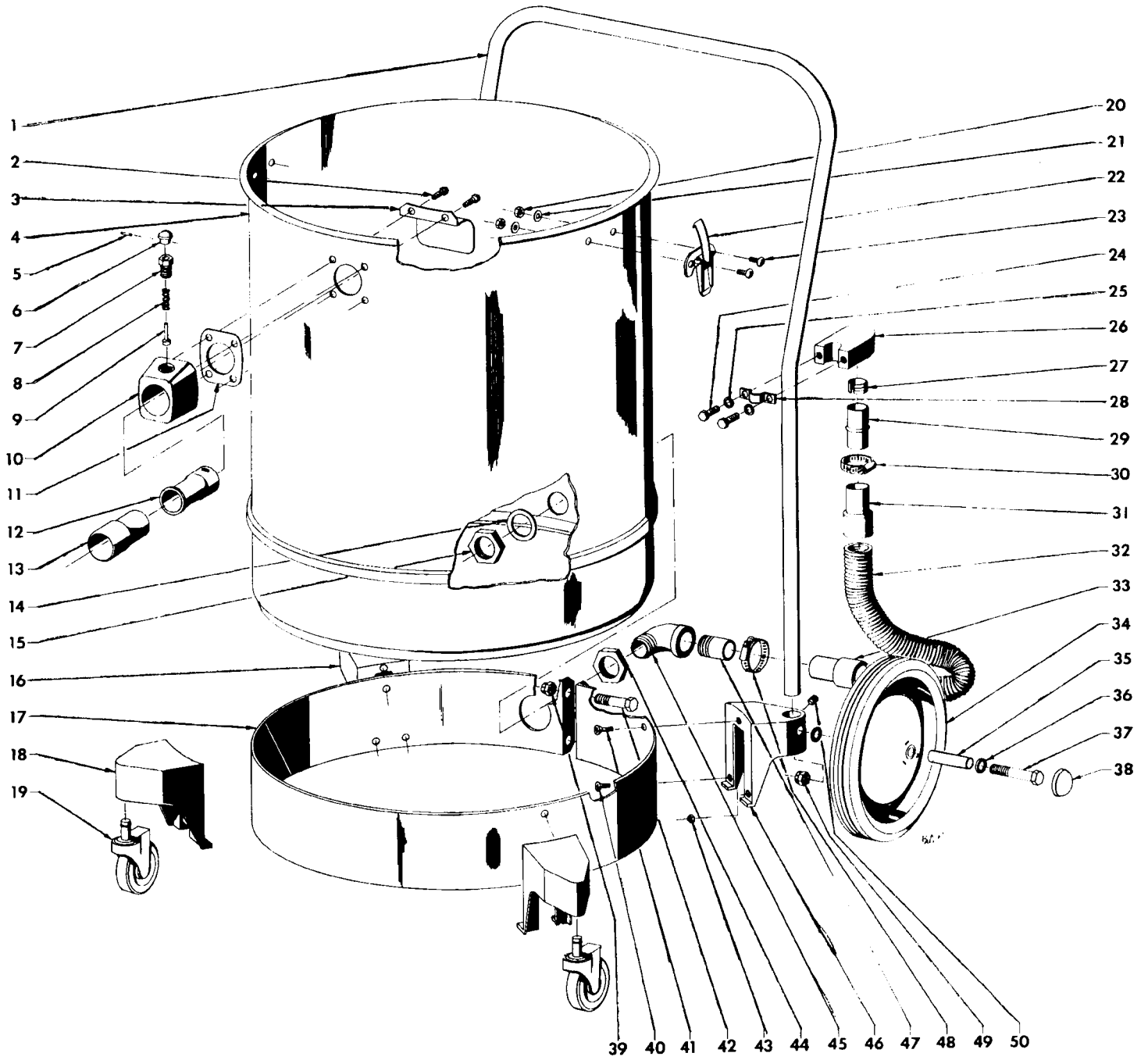


FIGURE C

REF. NO.	PART NO.	DESCRIPTION	NO. REQ.
----------	----------	-------------	----------

FIG. A page 6

	80-6000	Jetstream Vacuum Head Assy 115V	
	80-7000	Jetstream Vacuum Head Assy 230V	
1	50370	Intake - Top	1
2	80-0002	Screen - Intake	1
3	26476	Indicator Light (For 80-6000 only)	1
3A	26524	Indicator Light (For 80-7000 only)	1
4	33139	Motor Cover Weldment	1
5	26464	Wire Nut	4
6	48806	Nameplate - Kent	1
7	48810	Nameplate - Jetstream	1
8	80-0004	Baffle Plate	1
9	49919	Felt Disc - Upper	1
10	32979	Muffler Assembly - Inter	1
11	32980	Muffler Assembly - Outer	1
12	11-1700	Baffle - Air	1
13	33-1393	Vac Motor 115V (For 80-6000 only)	1
13A	33-1406	Vac Motor 230V (For 80-7000 only)	1
14	11-1701	Gasket - Motor	3
15	49876	Felt Disc	1
16	11-1620	Lower Motor Ring	1
17	50632	Gasket - Lower Motor Ring	2
18	11-1575	Vac Pot	1
19	80-0001	Muffler - Intake	1
20	80-0301	Felt Disc - Motor Cover	1
21	22-3221	Screw 10 x 3/8 Taptite	4
21A	05297	Lockwasher #10 I.D.	2
22	85-0006	Wire Assembly	4
23	11-1091	Switch	1
24	06108	Nut 1/2" Pipe Thd.	2
25	50503	Switch Protector	1
26	22-3183	Screw 6-32 x 1/2 Pan. Hd.	1
26A	03275	Nut 6-32 Hex Brass	1
26B	04250	Lockwasher	1
27	48356	Strain Relief	1
28	48350	Guard - Strain Relief	1
29	25394	Power Cord	1
29A	26423	Plug - 230V Power Cord (Not shown)	1
30	11-1442	Tapped Block	4
31	11-1439	Stud - Motor	4
32	80-0302	Felt Motor Cover	1
33	49873	Lower Felt - Motor Cover	1
34	22-3046	Screw 10-36 x 3/8 Round Hd	4
34A	22-4012	Washer 3/16 I.D.	4
35	04207	Washer 1/4 I.D. x 9/16 O.D. Brass	8
36	11-1441	Spacer	4
37	11-1578	Support Plate Assembly	1
38	22-4012	Washer 3/16 I.D.	4
39	05297	Lockwasher #10 I.D.	4
40	22-2203	Acorn Nut 10-32	4
41	50296	Gasket - Support Plate	1
42	22-2256	Wing Nut 1/4-20 S.S.	4
43	11-1681	Bag Support Assembly	1
44	22-2261	Push - Nut	2
45	11-1683	Float Seal	1
46	11-1684	Float	1
47	22-4075	Washer 17/64 I.D.	1
48	11-1570	Retaining Ring	1
49	11-1685	Float Rod	1
50	11-1725	Dust Bag Assembly	1

FIG. B page 7

	85-5000	Turbovac Head Assy. Comp.- 115V	
	85-6000	Turbovac Head Assy. Comp.- 230V	
1	48807	Label - Kent	1
2	85-0007	Intake Cover	1
3	85-5100	Motor Cover Assembly	1
4	22-3220	Screw 10-32 x 3/8 Round Head	3
5	85-0002	Exhaust Outlet	1
6	22-5051	Washer	1
7	11-1443	Spacer	1
8	85-0004	Knob	1
9	11-1686	Handle	2
10	48811	Label - Turbovac	1
11	22-3221	Screw 10-24 x 3/8 Round Hd.	4
12	22-4012	Washer #10-I.D.	4
13	85-0005	Exhaust Cover	1

REF. NO.	PART NO.	DESCRIPTION	NO. REQ.
----------	----------	-------------	----------

14	05433	Washer	2
15	02237	Screw 1/4-20 x 1/2 Hex Head	2
16	11-1700	Baffle-Air	1
17	11-1701	Gasket - Motor	1
18	33-1393	Vac Motor 2 Stage 115V (85-6000 only)	1
18A	33-1406	Vac Motor 2 Stage 230V (85-6000 only)	1
19	11-1701	Gasket - Motor	1
20	11-1620	Lower Motor Ring	1
21	50632	Gasket Lower Motor Ring	2
22	11-1575	Vac Pot	1
23	50503	Switch Protector	1
24	11-1091	Switch	1
25	26124	Terminal	3
26	06108	Nut - Strain Relief	2
27	11-1439	Stud - Vac Motor	4
28	11-1442	Threaded Block	4
29	22-3188	Screw 6-32 x 1/2 Pan Hd.	1
29A	04250	Lockwasher	1
29B	03275	Nut 6-32 Hex	1
30	48356	Strain Relief	1
31	48350	Guard - Strain Relief	1
32	25394	Power Cord	1
32A	26423	Plug (For 230V Power Cord) (Not Shown)	1
33	50468	Spacer	4
34	22-3220	Screw 10-32 x 3/8 Round Hd	7
35	85-0006	Wire Assembly	2
36	26464	Wire Nut	2
37	11-1681	Bag Support Assembly	1
38	22-2261	Push Nut	2
39	11-1685	Float Rod	1
40	11-1683	Float Seal	1
41	11-1684	Float	1
42	22-4075	Washer 17/64 I.D.	1
43	11-1570	Retaining Ring	1
44	11-1725	Dust Bag Assembly	1
45	11-1578	Support Plate Assembly	1
46	22-4012	Washer #10 I.D.	4
47	05297	Lockwasher #10 I.D.	4
48	22-2203	Nut 10-32 Acorn	4
49	50296	Gasket	1
50	22-2256	Nut 1/4-20 Wing S.S.	4

FIG. C page 8

	11-1711	Base Assy. Complete 16 Gal	1
1	11-1765	Handle - Carriage	1
2	02367	Screw - Hex Head	4
3	E25686	Deflector - Inlet	1
4	11-1679	Tank - Vacuum	1
5A	E49132	Knob Assembly (Includes Dets. 5-9)	1
5	05541	Pin - Drive Lock	1
6	E36379	Knob	1
7	E36378	Sleeve - Coupling Lock	1
8	E49037	Spring - Coupling Lock	1
9	E49036	Pin - Coupling Lock	1
10	E12990	Body-Connector	1
11	E36384	Gasket - Body	1
12	E36374	Tube - Coupling	1
13	70-6704	Cuff - Hose	1
14	71-5402	Seal	1
15	71-5401	Nut - 1" Pipe	1
16	11-1716	Wheel Bracket - Right	1
17	90-7611	Carriage Band	1
18	11-1714	Wheel Bracket - Caster	2
19	11-1567	Caster	2
20	03278	Nut 10-32 Hex	4
21	22-4074	Sealing Washer	4
22	E36398	Clamp	2
23	22-3220	Screw 10-32 x 3/8 Round Head SS	4
24	02253	Screw 1/4-20 x 3/4 Hex Head	2
25	02278	Lockwasher 1/4 I.D.	2
26	71-9400	Hose Support Assembly	1
27	70-9500	Button Spring	1
28	71-5409	Clamp	1
29	70-9200	Ferrule	1
30	49082	Hose Clamp	1
31	73-0804	Cuff-Hose	1
32	71-5404	Hose	1
33	73-0804	Cuff-Hose	1
34	11-1719	Wheel - 10" x 1.75	2
35	11-1720	Spacer	2
36	04384	Washer 3/8 I.D. x 7/8 O.D.	4

THE KENT LIMITED WARRANTY

Your Kent Cleaner, which has been manufactured, tested and inspected in accordance with carefully specified engineering requirements, is warranted to be free from defects in material and workmanship.

This warranty is, however, subject to the following qualifications, conditions, and limitations which are set forth to provide you and all users of the Kent Cleaner with information concerning the duration, extent, availability, and applicability of this Kent Limited Warranty, the procedure to be taken to obtain its performance, and other information concerning the Kent Warranty policy.

DURATION OF WARRANTY AND TO WHOM EXTENDED

This warranty extends for a period of one year from the date of the original purchase of the Kent Cleaner by the original purchaser. During this period this warranty is available to such first purchaser and:

Members of his or her immediate family for the personal use of the Kent Cleaner
or on behalf of such first purchaser,

OR

Members of his or her immediate employment.

PARTS OF KENT CLEANER NOT COVERED BY WARRANTY

Certain parts of the Kent Cleaner require replacement in the ordinary course of use due to normal wear by reason of their characteristics. These are disposable dust bags, filters, belts, light bulbs, and brush tool bristles. These parts are not covered by this warranty.

EXCEPTIONS AND EXCLUSIONS FROM WARRANTY

The cleaner is required to be used on electric current as indicated on the name plate. Otherwise damage, defects, malfunctions or other failures of the cleaner arising from use on electric current not as indicated are excepted and excluded from this warranty.

Defects, malfunctions, failure or damage of the Cleaner caused by improper, unreasonable or negligent use or abuse while in the possession of the purchaser are likewise excluded from this warranty.

If repair is done on your Cleaner by anyone other than those below designated as authorized to perform such work without first having obtained factory instructions, The Kent Company, at its sole option, may determine that this warranty will not apply and that reimbursement for such repair will not be made because of the failure to comply with such factory specified instructions.

PROCEDURE TO BE TAKEN TO OBTAIN PERFORMANCE OF WARRANTY

REPAIR

To secure repair of the Cleaner or any warranted parts under this warranty, the following procedure should be taken.

The inoperative Cleaner or warranted parts, together with satisfactory evidence of the purchase date, must be delivered, with shipping and delivery charges prepaid, to one of the following:

- 1) The Dealer from whom purchased;
- 2) Any Kent distributor's Service Department in the United States;
- 3) Any Kent Authorized Service Station in the United States.

If you are unable to locate any of the foregoing, you may write or otherwise communicate with The Kent Company, Division of Dometic Incorporated, for instructions before repair service is performed by anyone else. In such event, The Kent Company will provide either the location of a closely available Kent distributor Service Department or Kent Authorized Service Station or other factory instructions.

Upon compliance with the above procedure, all warranted defects will be repaired, at no additional charge or costs to the customer, and the repaired product returned to the customer, with all shipping and delivery charges repaid.

In following the procedures above set forth, PLEASE MAKE CERTAIN to state the Kent model, type and serial number as shown on the name plate of the Cleaner.

REPLACEMENT

In the event of a defect, malfunction or failure of your Kent Cleaner or any warranted part to conform with this warranty, The Kent Company may, at its sole option and own expense, replace the Cleaner or any warranted part with another new identical or reasonably equivalent model or part in lieu of repairing the defect.

NO REFUND OF PURCHASE PRICE

The Kent Company will not, as a matter of its warranty policy, refund the customer's purchase price.

WARRANTY REGISTRATION CARD FOR YOUR KENT CLEANER AND REQUESTS FOR INFORMATION

Please fill out the warranty registration card accompanying your Kent Cleaner, giving complete information as requested on the card, and return to the factory.

Any information or questions you may have concerning your Kent Cleaner or this warranty may likewise be secured from the factory.

This warranty gives you specific legal rights, and you may also have other rights which vary from state to state.

KENT
BY
THE KENT COMPANY
ELKHART, INDIANA 46514