



# Electronic Service Manuals

This electronic document is provided as a service to our customers. We do not create the contents of the information contained in this document. Should you have detailed questions pertaining to the information contained in this document, you may contact Michco, or the manufacturer which provided the original information in this electronic deliverable. Michco's only part in this electronic deliverable was the electronic assembly process.

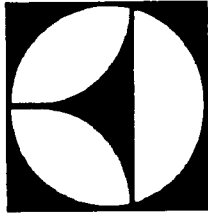
You may contact Michco through the following methods:  
Phone (517) 484-9312 or (800) 331-3339 MI, OH, IN only  
2011 N. High St. -- Lansing, Michigan -- 48906  
Fax: (517) 484-9836  
Email: [CustServ@Michco.com](mailto:CustServ@Michco.com)  
Web site: [www.Michco.Com](http://www.Michco.Com)  
Parts Web site: [www.FloorMachineParts.Com](http://www.FloorMachineParts.Com)

Order Parts on Line at:  
**[www.FloorMachineParts.Com](http://www.FloorMachineParts.Com)**

Directly to Parts & Service:  
By Email: **[Shop@Michco.com](mailto:Shop@Michco.com)**  
By Fax: (517) 702-2041  
By Voice: Use numbers above.

**Serving the Cleaning Industry Since 1922**

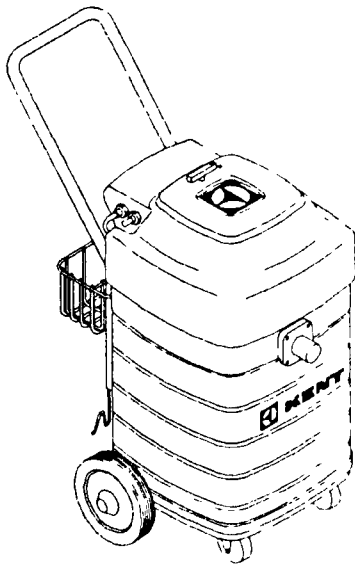
Notice: All copyrighted material remains property of original owners, all trademarks are property of respective owners. Manuals are subject to Manufacturer's reproduction limitations. Originals or reproductions were provided by manufacturers through a request. We make no warranty as to the correctness of information provided in this document and you assume all risk.



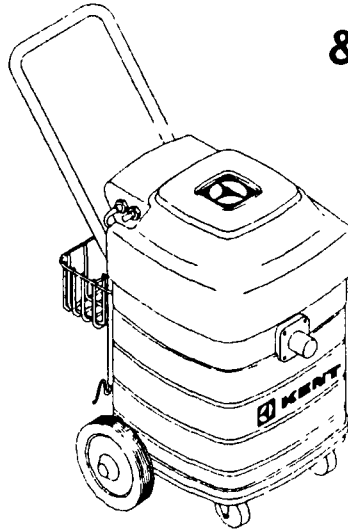
# KENT

## COMMERCIAL TANK VACUUMS

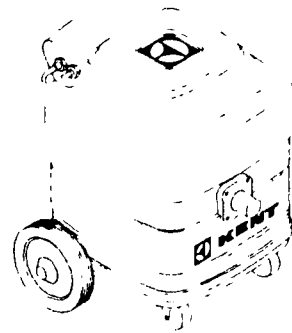
OPERATING,  
MAINTENANCE  
INSTRUCTIONS  
& ILLUSTRATED  
PARTS LIST



**KT-15**  
**KT-15P**  
**KT-15-2**



**KT-12**



**KT-5**

THE KENT COMPANY  
P.O. Box 1665  
2310 Industrial Parkway  
Elkhart, IN 46515  
TEL: (219)293-8661,  
(800)334-1083  
(800)642-6635 (Indiana)  
FAX: (219)295-8610  
TELEX: 25-8331 KENT CO EKR

AUGUST 1992

# **IMPORTANT SAFETY INSTRUCTIONS**

When using an electrical appliance, basic precautions should always be followed including the following:

**READ ALL INSTRUCTIONS BEFORE USING THIS APPLIANCE**

## **WARNING:**

### **To reduce the risk of fire, electric shock, or injury:**

- Do not leave appliance when plugged in. Unplug from outlet when not in use and before servicing.
- To avoid electric shock, use indoors only.
- Do not allow to be used as a toy. Close attention is necessary when used by or near children.
- Use only as described in this manual. Use only manufacturer's recommended attachments.
- Do not use with damaged cord or plug. If appliance is not working as it should, has been dropped, damaged, left outdoors, or dropped into water, return it to a service center.
- Do not pull or carry by cord, use cord as a handle, close a door on cord, or pull cord around sharp edges or corners. Do not run appliance over cord. Keep cord away from heated surfaces.
- Do not unplug by pulling on cord. To unplug, grasp the plug, not the cord.
- Do not handle plug or appliance with wet hands.
- Do not put any object into openings. Do not use with any opening blocked; keep free of dust, lint, hair, and anything that may reduce air flow.
- Keep hair, loose clothing, fingers, and all parts of body away from openings and moving parts.
- Do not pick up anything that is burning or smoking, such as cigarettes, matches, or hot ashes.
- Do not use without proper filter(s) in place.
- Turn off all controls before unplugging.
- Use extra care when cleaning on stairs.
- Do not use to pick up flammable or combustible liquids such as gasoline or use in areas where they may be present.
- For a grounded appliance. "Connect to a properly grounded outlet only. See Grounding Instructions."

**SAVE THESE INSTRUCTIONS**

# MACHINE SPECIFICATIONS:

	KT-5	KT-12	KT-15	KT-15P	KT-15-2
VACUUM MOTOR	2-Stage, bypass	2-Stage, bypass	2-Stage, bypass	2-Stage, bypass	2 Stage, bypass
MOTOR PEAK H.P.	1.75 PHP	1.75 PHP	3.1 PHP	1.75 PHP	1.75 PHP
MOTOR AIR FLOW	92 CFM @ 1.5 in Orifice (2.6 cu m/min @ 3.8cm Orifice)	92 CFM @ 1.5 in Orifice (2.6 cu m/min @ 3.8cm Orifice)	110 CFM @ 1.5 in Orifice (3.1 cu m/min @ 3.8cm Orifice)	92 CFM @ 1.5 in Orifice (2.6 cu m/min @ 3.1cm Orifice)	125 CFM @ 1.5 in Orifice (3.5 cu m/min @ 3.8cm Orifice)
MOTOR SEALED LIFT	88 in (223cm) Water	88 in (223cm) Water	96 in (244cm) Water	88 in (223cm) Water	88 in (223cm) Water
POWER CORD	18-3 SJTW, 25 ft (7.6 m) Long	18-3 SJTW, 35 ft (10.7m) Long	18-3 SJTW, 50 ft (15.2m) Long	18-3 SJTW, 50 ft (15.2m) Long	16-3 SJTW, 50 ft (15.2m) Long
RECOVER CAP. (WET)	5 Gallons (18.9L)	12 Gallons (45.4L)	15 Gallons (56.8L)	15 Gallons (56.8L)	15 Gallons (56.8L)
RECOVERCAP. (DRY)	2/3 Bushel (23.5L)	1-1/3 Bushel (47.0L)	1-3/4 Bushel (61.7L)	1-3/4 Bushel (61.7L)	1 3/4 Bushel (61.7L)
WHEELS	Four 3 in (7.6cm) Casters	Two 3 in (7.6cm) Casters Two 7 in (17.8cm) Wheels	Two 3 in (7.6cm) Casters Two 7 in (17.8cm) Wheels	Two 3 in (7.6cm) Casters Two 7 in (17.8cm) Wheels	Two 3 in (7.6cm) Casters Two 7 in (17.8cm) Wheels
FILTER AREA	350 sq in (2,258 sq cm)	350 sq in (2,258 sq cm)	350 sq in (2,258 sq cm)	350 sq in (2,258 sq cm)	350 sq in (2,258 sq cm)
HEIGHT (HANDLE)	NOT APPLICABLE	32.7 in (83.1cm)	32.7 in (83.1cm)	32.7 in (83.1cm)	32.7 in (83.1cm)
HEIGHT (MACH. BODY)	21.5 in (54.6cm)	28.2 in (71.6cm)	31.5 in (80.0cm)	31.5 in (80.0cm)	31.5 in (80.0cm)
WIDTH	17.3 in (43.9cm)	22.7 in (57.6cm)	22.7 in (57.6cm)	22.7 in (57.6cm)	22.7 in (57.6cm)
LENGTH	21.2 in (53.8cm)	24.5 in (62.2cm)	24.5 in (62.2cm)	24.5 in (62.2cm)	24.5 in (62.2cm)
MACHINE WEIGHT	31 lbs. (17.0kg)	37 lbs (16.8kg)	45 lbs (20.4kg)	45 lbs (20.4kg)	50 lbs (22.7kg)

## SERVICE INFORMATION

To obtain consistent performance over the life of your vacuum, read through these instructions and keep them handy for future reference. If you require service, contact the dealer from whom the vacuum was purchased. Always refer to your Limited Warranty for complete service information.

<b>THE KENT CO.</b>		
ELKHART, INDIANA USA		
SERIAL NO.		MODEL
VOLTS	PHASE	Hz
MOTOR 1	AMP	Hz
MOTOR 2	AMP	Hz

The model, type and serial number are indicated on the data plate. For prompt and complete service information, always refer to these numbers when inquiring about service.

Write the model and serial number of your unit in the space provided. Refer to the rating plate on unit.

MODEL #                      SERIAL #  
Retain this owner's manual for future reference.

## GENERAL INFORMATION

BEFORE YOU PLUG IN YOUR TANK VACUUM, check the voltage on the data plate located on the vacuum near the power switch to check if it agrees within 10% of the voltage available (see "Data Plate"). Connect only to a grounded (3-wire) electrical outlet.

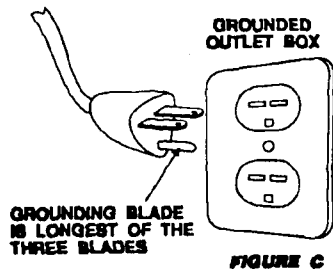
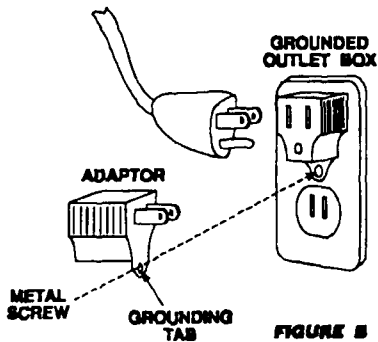
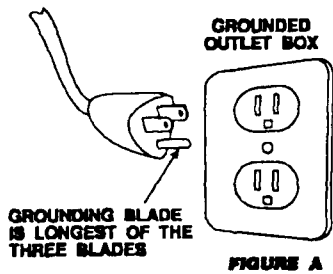
DO NOT OIL. The motor in your vacuum is permanently lubricated and sealed. Do not oil the motor at any time.

## GROUNDING INSTRUCTIONS

This appliance must be grounded. If it should malfunction or break down, grounding provides a path of least resistance for electric current to reduce the risk of electric shock. This appliance is equipped with a cord having an equipment-grounding conductor and grounding plug. The plug must be plugged into an appropriate outlet that is properly installed and grounded in accordance with all local codes and ordinances.

**WARNING**— Improper connection of the equipment-grounding conductor can result in a risk of electric shock. Check with a qualified electrician or service person if you are in doubt as to whether the outlet is properly grounded. Do not modify the plug provided with the appliance — if it will not fit the outlet, have a proper outlet installed by a qualified electrician.

If this appliance is for use on a nominal 120-volt circuit, it has a grounded plug that looks like the plug illustrated in Figure A. A temporary adapter that looks



like the adapter illustrated in Figure B may be used to connect this plug to a 2-pole receptacle as shown if a properly grounded outlet is not available. The temporary adapter should be used only until a properly grounded outlet (Figure A) can be installed by a qualified electrician. The green colored rigid ear, lug, or the like extending from the adapter must be connected to a permanent ground such as a properly grounded outlet box cover. Whenever the adapter is used, it must be held in place by a metal screw.

If this appliance is for use on a nominal 240-volt circuit it has a grounded plug that looks like the plug illustrated in Figure C. No adapter should be used with this type of plug.

Make sure that the appliance is connected to an outlet having the same configuration as the plug.

## HOW TO USE YOUR VACUUM

### TO CONNECT HOSE TO TANK (EXCEPT KT-15P)

Grasp hose with fingers and lift lock knob on top of suction opening. Align hole in hose coupling with lock knob. Insert hose all the way into opening until it stops, then release lock knob so hose is locked into position. If lock knob fails to fall into place to secure hose, twist

hose coupling until lock knob snaps down in place. To remove hose, lift up lock knob and pull out hose. (See FIGURE 1)



FIGURE 1

### ON/OFF SWITCH

The ON/OFF switch is conveniently located on the back of the motor cover. Flip lever to up to turn "ON" or down to turn "OFF". (See FIGURE 2)

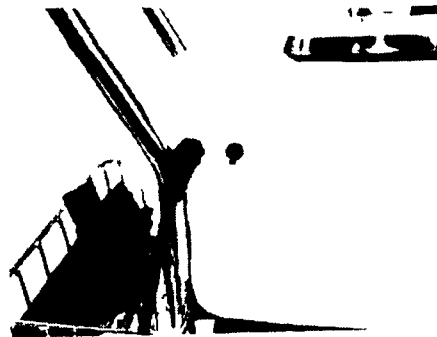


FIGURE 2

### CORD STORAGE (EXCEPT KT-5)

When not in use, loosely wind power cord around the handle and secure with clip molded into plug. (See FIGURE 3)

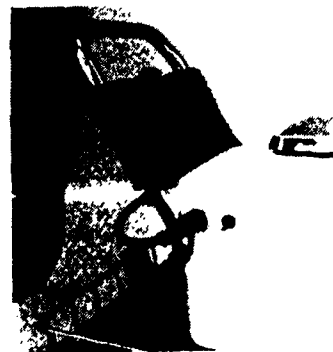


FIGURE 3

## TO EMPTY THE RECOVERY TANK

### (KT-12, KT-15, KT-15-2, ONLY)

Your tank vacuum comes equipped with a sliding dump valve located on the bottom of the recovery tank. The sliding dump valve has a T-handle located between the front casters which is used to open and close the valve.

To dump the recovery tank, move the machine to a floor drain or another suitable facility, and pull forward on the drain T-handle. After draining the tank, push the T-handle in to close the dump valve.

### (KT-15P ONLY)

Your tank vacuum comes equipped with a unique pump-out system which will pump dirty water or solution from the tank when operated in the pump-out mode.

The pump-out and vacuum modes are selected with the black knob located on top of the motor cover assembly. To operate in vacuum mode, the knob should be turned so that the marking on the knob lines up with the "VACUUM" marking on the chrome top cover. To operate in pump-out mode, the knob should be turned 1/2 turn, so that the marking on the knob lines up with the "DUMP" marking on the top chrome cover.

The operator may find it desirable to use less than the maximum pressure when using the pump-out feature. A lower rate of flow may be obtained by turning the knob slightly away from the full pump-out position.

For best results, remove the extension wand before using the pump-out feature.

## FILTERING SYSTEM

Your vacuum contains a highly effective double air filter system. One system is designed for both wet and dry use and the second system is for dry use only.

The removable dry filter assembly consists of two cloth bags attached to a plastic ring located on the bottom of the motor cover assembly.

The permanently installed wet filter assembly consists of a synthetic mesh bag covering the wet shut-off system located underneath the lid. The wet filter should never be removed and should remain in place for both wet and dry pickup.

### DRY USE

The dry filters must be installed on the float frame before picking up dry materials. The inner dry flannel filter should be installed with the fuzzy side out. The outer dacron filter should then be installed over the flannel filter. **NEVER OPERATE THE VACUUM FOR**

**DRY USE WITHOUT THE DRY FILTERS, AS DAMAGE TO THE MOTOR MAY RESULT.**

### WET USE

Your vacuum is equipped with a permanently installed wet shut-off system that operates automatically when the tank becomes full of liquid, foam, or suds.

The system consists of a metal frame and a float ball. When the level of fluid or suds rises in the tank, the ball moves upward until it reaches the seal ring and shuts off all suction. You will know when the wet shut-off is engaged because you will be unable to pick up anything with the vacuum, and the sound of the motor will change.

When the wet shut-off becomes engaged, you must immediately turn off the vacuum, disconnect the power cord from the electrical outlet and empty the tank. The vacuum will not operate until the tank has been emptied.

After the tank has been emptied, the wet shut-off will automatically disengage, and the vacuum will be ready for normal use. (See FIGURE 4)

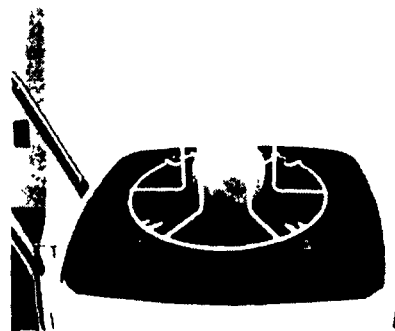


FIGURE 4

**NOTE-**The wet shut-off assembly is permanently installed and should never be removed.

When using the vacuum for wet pickup, the dry filters must be removed. **USING THE VACUUM FOR WET PICKUP WITH THE DRY FILTERS IN PLACE WILL RUIN THEM.**

## FILTER BAG AND RECOVERY TANK MAINTENANCE

The filters in your vacuum are vital to its efficient, safe operation. They provide a high rate of air flow while trapping dirt particles and/or suds. If dirt or suds residue are allowed to build up on these filters, the air flow of your vacuum will be reduced. Therefore, to maintain a high level of efficiency, it is essential that the filter assemblies be cleaned frequently.

**NOTE: DISCONNECT THE POWER CORD FROM ELECTRICAL OUTLET BEFORE CLEANING FILTER ASSEMBLIES OR RECOVERY TANK.**

### CLEANING THE DRY FILTER ASSEMBLY

To clean the dry filter assembly, remove the motor cover assembly by lifting it straight up and off.

Remove the dry filter bags by pulling out and down on the elastic band on the top edge of the bags. (See FIGURE 5)



FIGURE 5

The outer dacron bag may be rinsed clean with warm water and a mild soap. Be sure the dacron bag is completely dry before reinstalling it in the vacuum.

The inner flannel bag may be cleaned by shaking it vigorously or by gently brushing it. **DO NOT WASH THE INNER DRY FILTER. FOR BEST RESULTS, THE COTTON FLANNEL BAG SHOULD HAVE THE FUZZY SIDE OUT.**

Clean and dry the recovery tank (See next section). After cleaning and thoroughly drying the tank, install the inner flannel bag, making sure the elastic band fits snugly over the plastic ring at the top of the wet shut-off assembly. Next install the outer dacron bag, once again making sure that it fits snugly over the plastic ring at the top of the wet shut-off assembly.

### CLEANING THE WET FILTER ASSEMBLY

NOTE-Disconnect Power Cord from Electrical Outlet.

The wet shut-off system is located underneath the motor cover assembly and is covered by a synthetic mesh filter bag which is designed to prevent large debris from reaching the float assembly. (See FIGURE 6)

The mesh filter bag is permanently attached and should not be removed. The filter bag should be gently brushed or wiped clean. Always avoid getting moisture into the motor area either inside or outside the motor cover assembly.

After cleaning and thoroughly drying the filter systems and the recovery tank, replace motor cover assembly on top of the recovery tank.

### TO CLEAN RECOVERY TANK

Remove all dirt from the recovery tank after each use. The tank may be washed with warm water and a



FIGURE 6

mild soap or wiped clean with a damp cloth. Be sure to thoroughly dry recovery tank after cleaning to prevent corrosion or motor damage. Cleaner should be stored in a clean, dry place when not in use.

## ACCESSORIES

### EXTENSION WAND

A two piece extension wand is provided for use with the cleaning tools.

Join the two steel wand sections by inserting the straight button lock end of one section into the straight end of the second section. (See FIGURE 7)

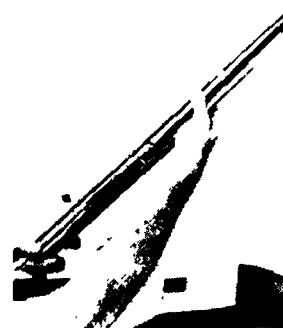


FIGURE 7

Make sure the button lock snaps into the hole locking the sections together to form the "S" shaped wand.

To separate wand sections, push down on the button lock and pull wand sections apart. (See FIGURE 8)

### CONNECTING WAND TO HOSE

After assembling the two piece wand as described above, push the plain end of the wand into the plastic hose cuff until it stops. To remove wand, simply pull it out of the hose cuff. (See FIGURE 9)

### FLOOR TOOLS

Your tank vacuum comes equipped with rugged and lightweight ABS Plastic floor tools.

The 16" carpet tool (PART NO 016599) features a very compact design which provides maximum air

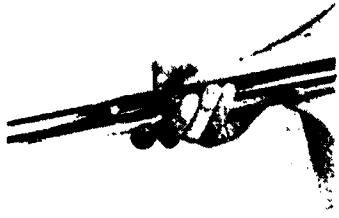


FIGURE 8

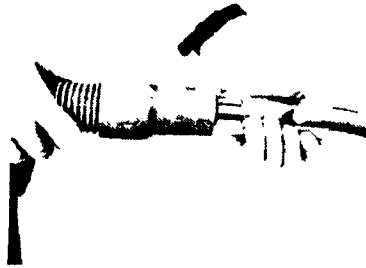


FIGURE 9

velocity and suction power to deep clean all types of carpeted surfaces. It comes equipped with bottom rollers to minimize user effort.

The 16" squeegee tool (PART NO.016597) features the same compact design as the carpet tool. It also comes equipped with bottom rollers to help minimize user effort. The two bladed construction allows for pickup in both directions. The flexibility of the blades make them effective for either wet or dry pickup on hard floor surfaces.

The brush tool (PART NO. 016598, INCLUDED WITH KT-15 & KT-15-2 ONLY) features the same compact design and bottom rollers found on the other tools. It comes equipped with long wearing nylon bristles for dry pickup on hard floor surfaces.

To attach the tools to the end of the wand, hold the wand so that the end with the large metal coupler is pointing away from you. Loosen the coupler by turning it clockwise, but do NOT remove the coupler from the end of the wand.

Insert the neck of the tool into the coupler and push it as far as possible into the wand. With the tool in place, tighten the coupler by turning it counterclockwise until it is tight. (See FIGURE 10)

To remove the tool, loosen the wand coupler by turning it clockwise, then pull the tool out.



FIGURE 10

#### TOOL AND WAND STORAGE-(EXCEPT KT-5)

All models, except KT-5, come equipped with a tool basket and wand storage hooks which hold the tools and wand when not in use.

For wand storage, hold each section by the curved end and slide through the open corner of the basket on either side of the handle. Place the bottom end of the wand over the hook installed in the bottom of the handle tube. The floor tools can be stored in the basket. (See FIGURE 11)

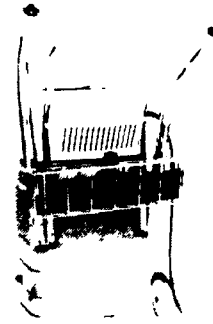


FIGURE 11

This is very convenient for storage, or when the cleaner is being moved from room to room.

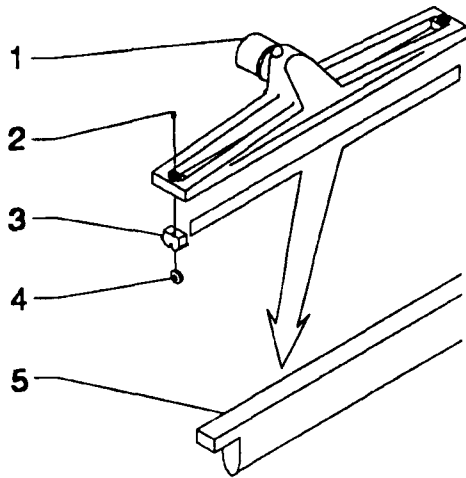
#### AREA CLEANER KIT

(OPTIONAL FOR ALL MODELS EXCEPT KT-5)

An area cleaner kit is available for your tank vacuum which will enable you to vacuum water from hard floor surfaces faster, without the need of attaching the standard hose and wand. The area cleaner kit (Part no. 039451) attaches to the rear axle under the tank, and consists of a wide squeegee which may be raised or lowered by a simple touch of the foot.

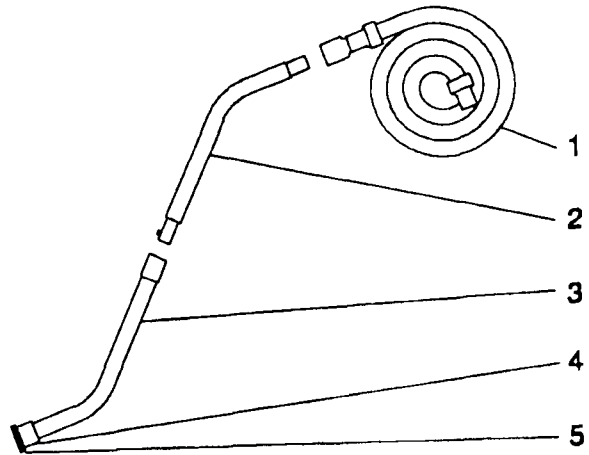
The ribbed double blade squeegee design allows the area cleaner to pick up in both forward and reverse directions.

# FLOOR TOOLS

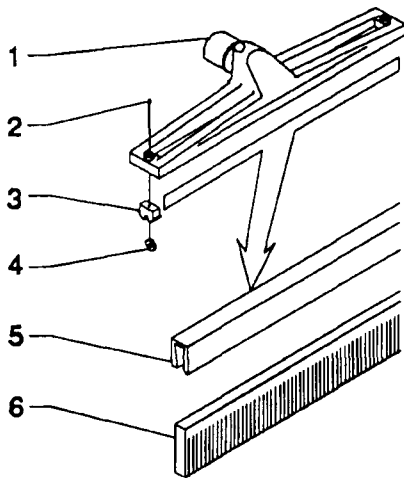


**CARPET TOOL PART NO. 016599**

DET PART NO.	DESCRIPTION	QUANT
1	054630 HOUSING, TOOL—PLASTIC, 16"	1
2	002458 SCR TPG F PAN HD #8-10X .375L	2
3	054625 HOUSING, WHEEL—PLSTC, 16" TOOL	2
4	054626 WHEEL, TOOL—PLSTC, 16"	2
5	054632 BAR RUB—16" CARPET TOOL	2

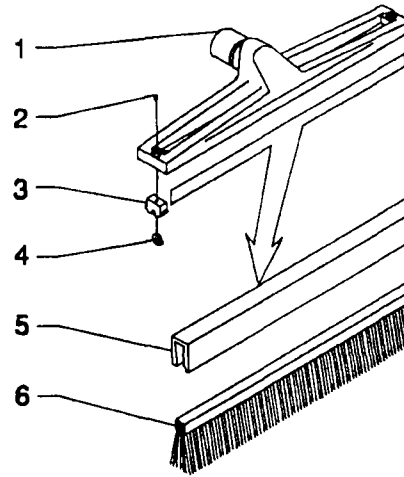


DET PART NO.	DESCRIPTION	QUANT
1	E36473-1 ASM, HOSE—	1
2	E13084 ASM, WAND—UPPER	1
3	E13085 ASM, WAND—LOWER	1
4	016492 WAND SEAL RING	1
5	016493 ASM, WAND—LOWER, NUT, SPECIAL	1



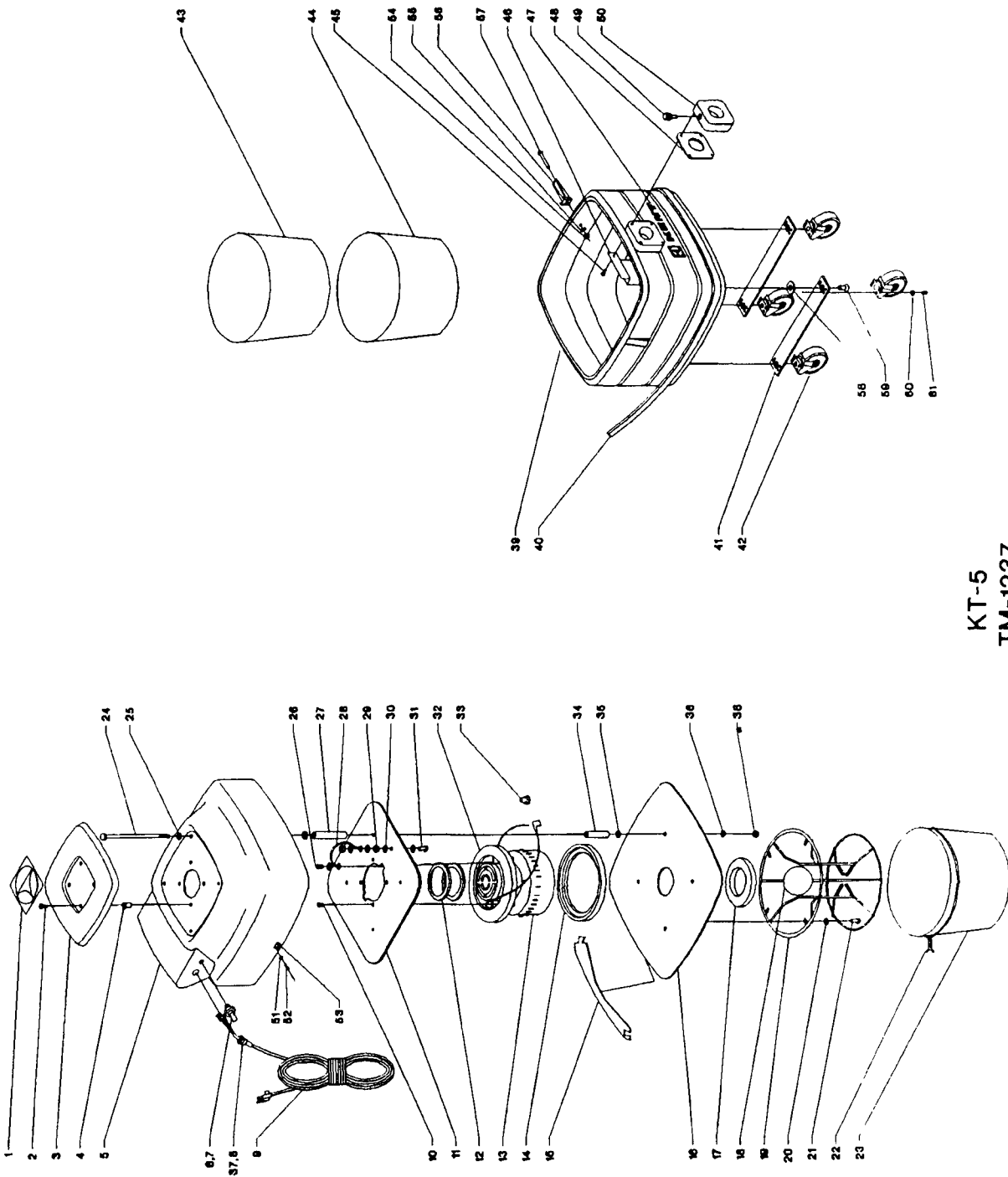
**SQUEEGEE TOOL PART NO. 016597**

DET PART NO.	DESCRIPTION	QUANT
1	054630 HOUSING, TOOL—PLASTIC, 16"	1
2	002458 SCR TPG F PAN HD #8-10X 375L	2
3	054625 HOUSING, WHEEL—PLSTC, 16" TOOL	2
4	054626 WHEEL, TOOL—PLSTC, 16"	2
5	054631 CHANNEL, PLSTC—16", SQUEEGEE	2
6	054627 SQUEEGEE, RUBBER—16"	2



**BRUSH TOOL PART NO. 016598**

DET PART NO.	DESCRIPTION	QUANT
1	054630 HOUSING, TOOL—PLASTIC, 16"	1
2	002458 SCR TPG F PAN HD #8-10X 375L	2
3	054625 HOUSING, WHEEL—PLSTC, 16" TOOL	2
4	054626 WHEEL, TOOL—PLSTC, 16"	2
5	054631 CHANNEL, PLSTC—16", SQUEEGEE	2
6	054628 RAIL, BRUSH—16", NOTCHED	1
6	054629 RAIL, BRUSH—16", STRAIGHT	1

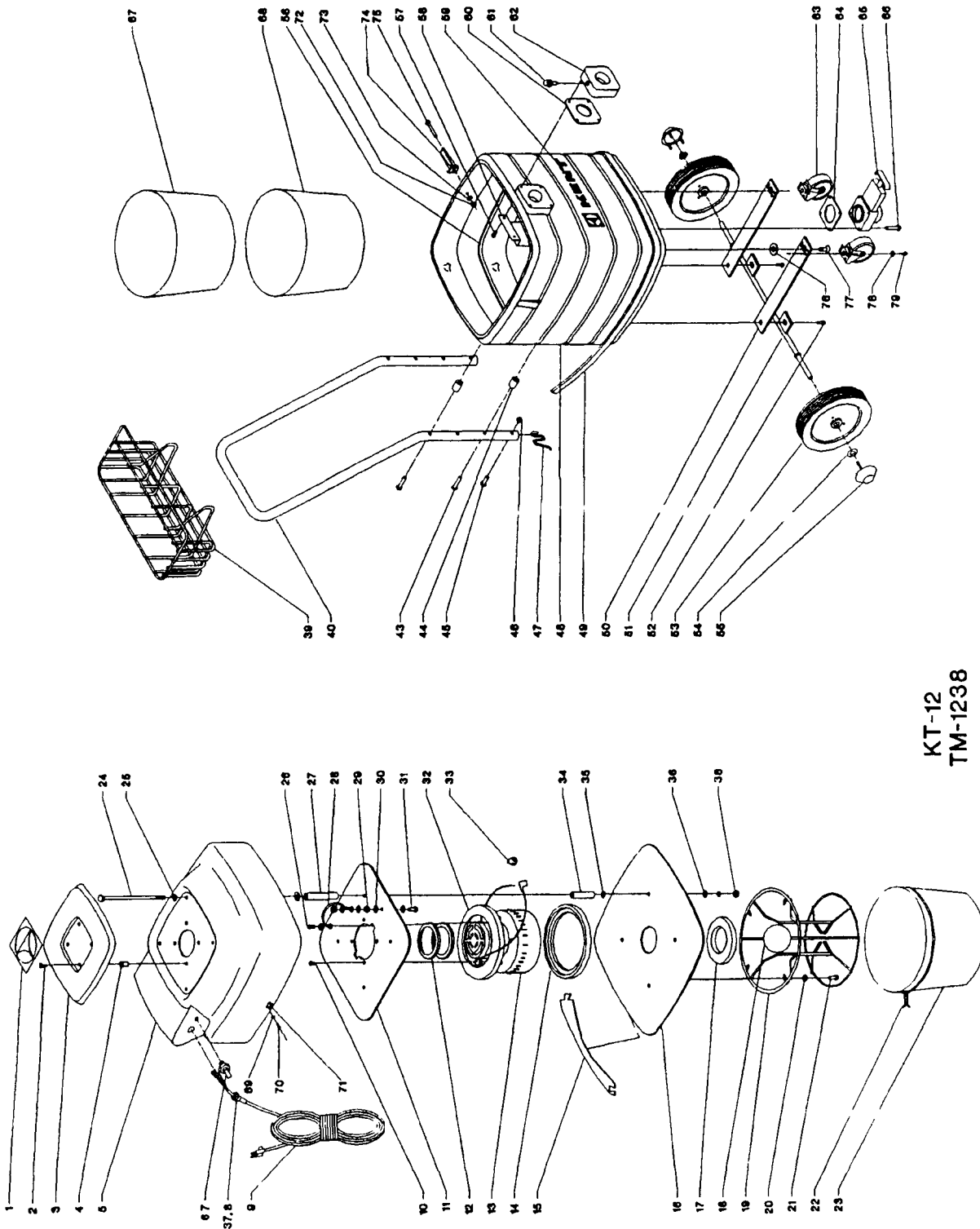


KT-5  
 TM-1237

# KT-5 PARTS LIST

DET	PART NO.	DESCRIPTION	QUANT
1	054777	LABEL,IDENT—LOGO,BLUE,4 187	1
2	002461	SCR MACH FLT HD 10-24X1.50L	4
3	054770	COVER,AIR,INLET—TANK,VAC.	1
4	003376	NUT,SPECIAL—KA-20 JACKNUT	4
5	054769	COVER,MOTOR—TANK VAC,WHITE	1
6	026973	SWITCH,TOGGLE—SPST,10A,250V	1
7	E55446	NUT-SWITCH GC679-A	1
8	027003	BSHG,STRAIN RLF—,27-.48 ACCOM	1
9	025864	CORD,POWER—16-3 SJTW,25 FT	1
10	002381	SCR TPG F PAN HD 10-B X 875L	4
11	054772	PLATE,STL—16GA,14 00X14 00	1
12	049622	GASKET-VAC MOTOR	2
13	E48373	BRUSH,MTR—FOR 331394	2
13	024246	MTR,VAC—230V,BYP,2 STG,PD	1
13	027005	ASM,MOTOR & TERMINAL—W/OD	1
14	E23788B	RING-MOTOR MOUNTING	1
15	054773	GASKET,FOAM—	4
16	054771	PLATE,SUPPORT—16X16,PLASTIC	1
17	048645	GASKET-VAC MOTOR	1
18	E49190	BALL,PLSTC—4 000 DIA,1 375 OZ	1
19	054789	FRAME,FLOAT—TANK VAC	1
20	005407	WSHR FLT ,203ID 562OD 045T STL	4
21	001473	SCR TPG F PAN HD 10-10X.750L	4
22	050033	BAG WIRE-SEPARATOR	1
23	E13099	ASM,SEPARATOR—	1
24	002460	SCR CAP HEX HD 250-20X8 00L	4
25	005373	WSHR FLT 281ID 625OD 062T STL	8
26	005316	SCR TPG F PAN HD 10-24X 375L	1
27	054780	SPACER,PHEN—265X 500X3 812L	4
28	025832	ASM,GROUND WIRE—18GA,12L,	1
29	E45474-1	NUT,KEPS— 8-32,ZN PLT	2
30	004253	WSHR LK 204ID 410OD 025T EXT	4
31	005410	SCR MACH RD HD 8-32X1 00L	1

DET	PART NO.	DESCRIPTION	QUANT
32	052382	FOAM,CLOSED—4 00ID5.50OD,250T	1
33	026683	NUT,WIRE—IDEAL 72B	1
34	054781	SPACER,PHEN—265X 500X2 875L	4
35	005433	WSHR FLT ,281ID,750OD,120T STL	4
36	224073	WSHR SEAL ,250ID SS	4
37	006108	NUT,SPECIAL—,500 PIPE,HEX LOC	1
38	003444	NUT,HEX—,25-20 SERWSHR HD SS	4
39	054752	TANK,MOLDED—5 GALLON,BLUE	1
40	054754	GUARD,FURNITURE—TANK VACS	1
41	054750	PLATE,STL—STEM CASTER 13.50L	2
41	055750	BAR,STL—PLATE CASTER 13.00L	2
42	054749	CASTER,SWIVEL—3.00DIA,STEM	4
42	055746	CASTER—3 00DIA,1.18X2 01PLATE	4
43	054776	BAG,FILTER—FLANNEL	1
44	050886	BAG,FILTER—KT100,POLYESTER	1
45	001473	SCR TPG F PAN HD 10-10X.750L	4
46	054753	DEFLECTOR,INLET—TANK VAC	1
47	054812	LABEL,IDENT—KENT,DIE-CUT,WHT	1
48	E36384	GASKET-BODY	1
49	E49132	ASM,KNOB—	1
50	054875	BODY,INLET—PLASTIC,GRAY	1
51	E48748	WSHR FLT ,127ID,375OD,030T STL	4
52	004493	RIVET,POP—125 DIA, .312 MAX	4
53	051325	STRIKE,DOLLY LATCH—PELIC ZINC	2
54	003275	NUT,HEX— 6-32,BRASS	4
55	004200	WSHR FLT 156ID 375OD 065T BRS	4
56	054856	LATCH,DRAW—ADJUSTABLE	2
57	001238	SCR MACH RD HD 6-32X 500L	4
58	004491	WSHR FLT 500ID1 37OD 109T	4
59	002297	SCR MACH FLAT HD 312-18X 625L	4
60	005297	WSHR LK ,200ID 334OD,047TSPLT	16
61	001509	SCR MACH PAN HD 10-32X 312L	16

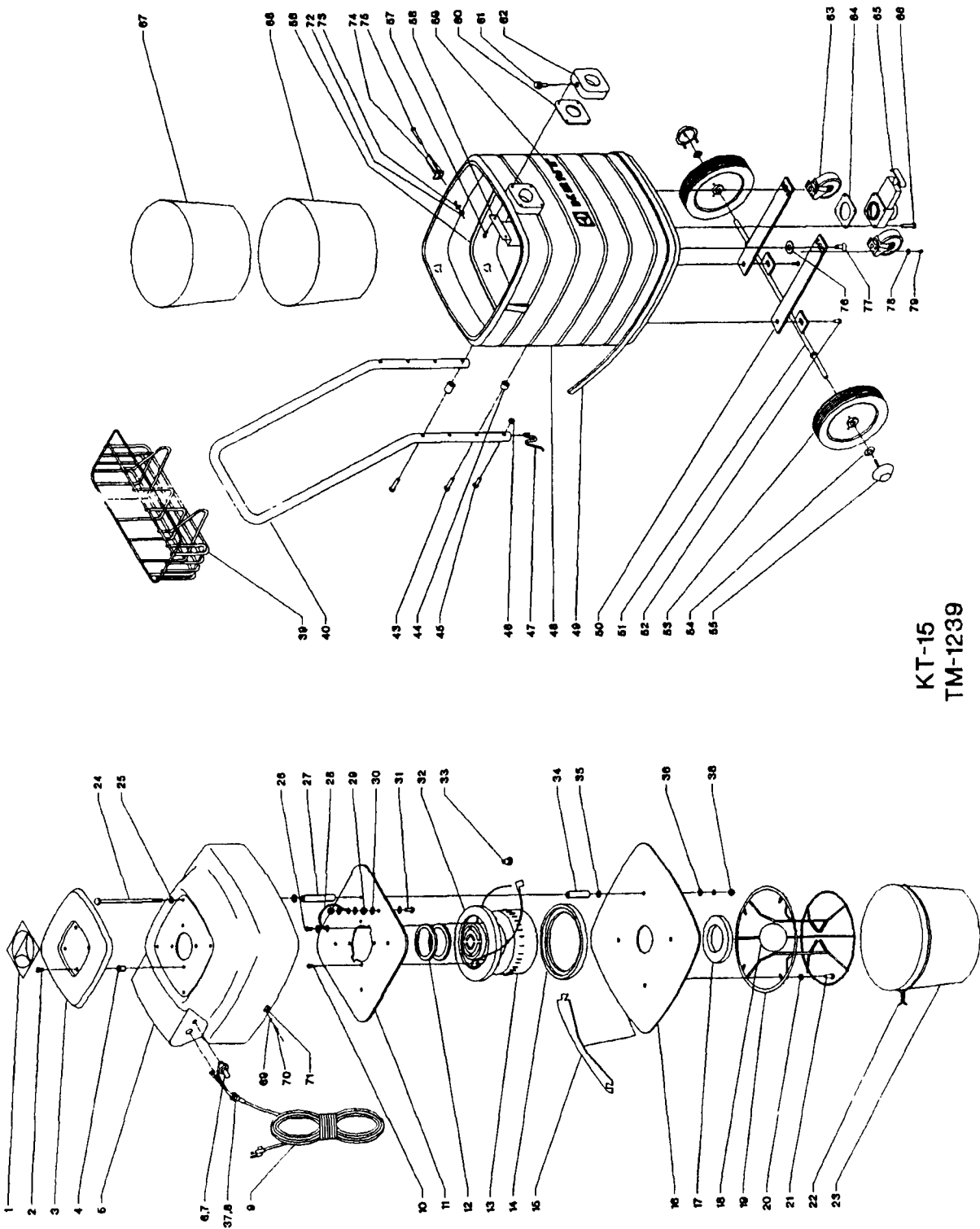


KT-12  
TM-1238

# KT-12 PARTS LIST

DET	PART NO.	DESCRIPTION	QUANT
1	054777	LABEL,IDENT--LOGO,BLUE,4 187	1
2	002461	SCR MACH FLT HD 10-24X1 50L	4
3	054770	COVER,AIR INLET--TANK VAC,	1
4	003376	NUT,SPECIAL--KA-20 JACKNUT	4
5	054769	COVER,MOTOR--TANK VAC,WHITE	1
6	026973	SWITCH,TOGGLE--SPST,10A,250V	1
7	E55446	NUT-SWITCH GC679-A	1
8	027003	BSHG,STRAIN RLF-- 27- 48 ACCOM	1
9	025865	CORD,POWER--16-3 SJTW,35FT	1
10	002381	SCR TPG F PAN HD 10-B X 875L	4
11	054772	PLATE,STL--16GA,14 00X14 00	1
12	049622	GASKET-VAC MOTOR	2
13	E48373	BRUSH,MTR--FOR 331394	2
13	024246	MTR,VAC--230V,BYP,2 STG,PD	1
13	027005	ASM,MOTOR & TERMINAL--W/QD	1
14	E23788B	RING-MOTOR MOUNTING	1
15	054773	GASKET,FOAM--	4
16	054771	PLATE,SUPPORT--16X16,PLASTIC	1
17	048645	GASKET-VAC MOTOR	1
18	E49190	BALL,PLSTC--4 000 DIA,1 375 OZ	1
19	054789	FRAME,FLOAT--TANK VAC	1
20	005407	WSHR FLT 203ID 562OD 045T STL	4
21	001473	SCR TPG F PAN HD 10-10X 750L	4
22	050033	BAG WIRE-SEPARATOR	1
23	E13099	ASM,SEPARATOR--	1
24	002460	SCR CAP HEX HD 250-20X8 00L	4
25	005373	WSHR FLT 281ID 625OD 062T STL	8
26	005316	SCR TPG F PAN HD 10-24X 375L	1
27	054780	SPACER,PHEN-- 265X 500X3 812L	4
28	025832	ASM,GROUND WIRE--18GA,12L,	1
29	E45474-1	NUT,KEPS - 8-32,ZN PLT	2
30	004253	WSHR LK 204ID 410OD 025T EXT	4
31	005410	SCR MACH RD HD 8-32X1 00L	1
32	052382	FOAM,CLOSED--4 00ID5 50OD 250T	1
33	026683	NUT,WIRE--IDEAL 72B	1
34	054781	SPACER,PHEN-- 265X 500X2 875L	4
35	005433	WSHR FLT 281ID 750OD 120T STL	4
36	224073	WSHR SEAL 250ID SS	4
37	006108	NUT,SPECIAL-- 500 PIPE,HEX LOC	1
38	003444	NUT,HEX-- 25-20 SER/WSHR HD	4

DET	PART NO.	DESCRIPTION	QUANT
39	054801	BASKET,TOOL--TANK VAC	1
40	054767	HANDLE,TUBE--TANK VACS	1
43	001501	SCR MACH PAN HD 10-32X1 75L	4
44	054765	SPACER,PVC--250X1.00,500L	4
45	001368	SCR MACH PAN HD 10-32X1 00L	2
46	005340	NUT,HEX LOCK-- 10-32,NYLOC	2
47	054802	HOOK,S-- 218DIA,5 47L,CHROME	2
48	054758	TANK,MOLDED--12 GALLON,BLUE	1
49	054754	GUARD,FURNITURE--TANK VACS	1
50	054756	BAR,STL--PLATE CASTER,11 907L	2
50	055749	BAR,STL--STEM CASTER,11.407L	2
51	034561	WDMT,AXLE--TANK VAC,12/15	1
52	002243	SCR CAP HEX HD .250-20X 625L	2
53	054768	WHEEL--RS 054526,W/ 3 HOLES	2
54	E48939	NUT,PUSH-- 500,WASHER CAP,ZN	2
55	052204	CAP,HUB--PLASTIC,3 68OD,3 25BC	2
56	054874	RING,REINFORCEMENT--TANK,	1
57	001473	SCR TPG F PAN HD 10-10X 750L	4
58	054753	DEFLECTOR,INLET--TANK VAC	1
59	054812	LABEL,IDENT--KENT,DIE-CUT,WHT	1
60	E36384	GASKET-BODY	1
61	E49132	ASM,KNOB--	1
62	054875	BODY,INLET--PLASTIC,GRAY	1
63	054749	CASTER,SWIVEL--3 00DIA,STEM	2
63	055746	CASTER--3 00DIA,1 18X2 01PLATE	2
64	054762	GASKET,FOAM-- 187X2 87X2.87	1
65	054761	VALVE,SLIDE--1.50DIA,T-HANDLE	1
66	001418	SCR MACH RD HD 10-32X1.50L	4
67	054776	BAG,FILTER--FLANNEL	1
68	050886	BAG,FILTER--KT100,POLYESTER	1
69	E48748	WSHR FLT 127ID 375OD 030T STL	4
70	004493	RIVET,POP-- 125 DIA, 312 MAX	4
71	051325	STRIKE,DOLLY LATCH--	2
72	003275	NUT,HEX-- 6-32,BRASS	4
73	004200	WSHR FLT 156ID 375OD 065T BRS	4
74	054656	DATA PLATE--KA-326B,011632A-15	2
75	001238	SCR MACH RD HD 6-32X 500L	4
76	004491	WSHR FLT 500ID1 37OD 109T	2
77	002297	SCR MACH FLAT HD 312-18X 625L	2
78	005297	WSHR LK 200ID 334OD 047TSPLT	8
79	001509	SCR MACH PAN HD 10-32X 312L	8

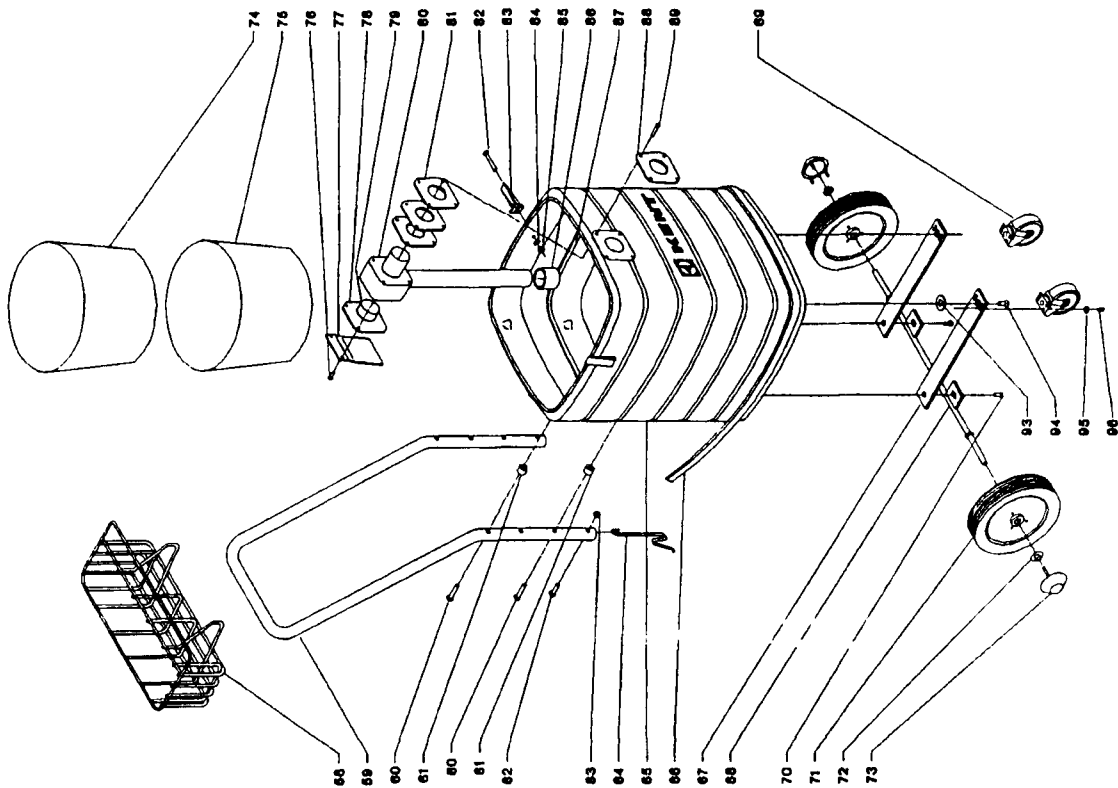
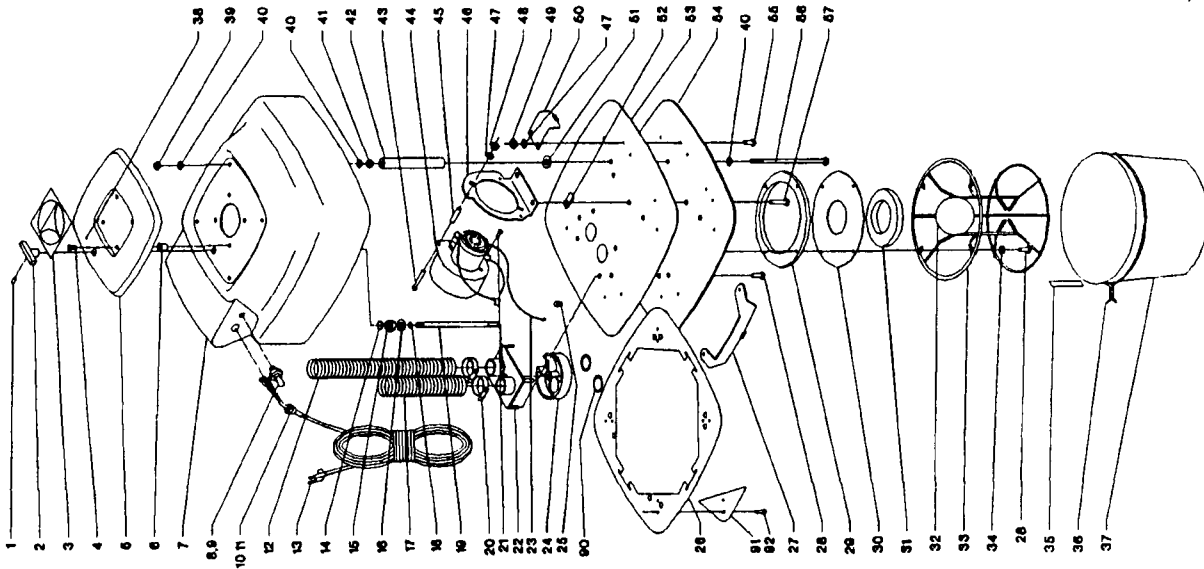


KT-15  
TM-1239

# KT-15 PARTS LIST

DET	PART NO.	DESCRIPTION	QUANT
1	054777	LABEL,IDENT--LOGO,BLUE,4 187	1
2	002461	SCR MACH FLT HD 10-24X1 50L	4
3	054770	COVER,AIR INLET--TANK VAC,	1
4	003376	NUT,SPECIAL--KA-20 JACKNUT	4
5	054769	COVER,MOTOR--TANK VAC,WHITE	1
6	026973	SWITCH,TOGGLE--SPST,10A,250V	1
7	E55446	NUT-SWITCH GC679-A	1
8	027003	BSHG,STRAIN RLF--27-.48 ACCOM	1
9	025866	CORD,POWER--16-3 SJTW,50FT	1
10	002381	SCR TPG F PAN HD 10-B X 875L	4
11	054772	PLATE,STL--16GA,14 00X14 00	1
12	049622	GASKET-VAC MOTOR	2
13	024329	MTR,VAC--220V,BYP,2 STG,PD	1
13	026894	ASM,MOTOR & TERMINAL--	1
13	038983	BRUSH,MTR--24298,1 PIECE	2
13	039137	BRUSH,MTR--FOR 024329	2
14	E23788B	RING-MOTOR MOUNTING	1
15	054773	GASKET,FOAM--	4
16	054771	PLATE,SUPPORT--16X16,PLASTIC	1
17	048645	GASKET-VAC MOTOR	1
18	E49190	BALL,PLSTC--4 000 DIA,1 375 OZ	1
19	054789	FRAME,FLOAT--TANK VAC	1
20	005407	WSHR FLT .203ID 562OD 045T STL	4
21	001473	SCR TPG F PAN HD 10-10X 750L	4
22	050033	BAG WIRE-SEPARATOR	1
23	E13099	ASM,SEPARATOR--	1
24	002460	SCR CAP HEX HD .250-20X8 00L	4
25	005373	WSHR FLT .281ID.625OD.062T STL	8
26	005316	SCR TPG F PAN HD 10-24X 375L	1
27	054780	SPACER,PHEN--265X 500X3 812L	4
28	025832	ASM,GROUND WIRE--18GA,12L,	1
29	E45474-1	NUT,KEPS-- 8-32,ZN PLT	2
30	004253	WSHR LK 204ID 410OD 025T EXT	4
31	005410	SCR MACH RD HD 8-32X1 00L	1
32	052382	FOAM,CLOSED--4 00ID5 50OD 250T	1
33	026683	NUT,WIRE--IDEAL 72B	1
34	054781	SPACER,PHEN--265X 500X2 875L	4
35	005433	WSHR FLT 281ID 750OD 120T STL	4
36	224073	WSHR SEAL 250ID SS	4
37	006108	NUT,SPECIAL--500 PIPE,HEX LOC	1
38	003444	NUT,HEX--25-20 SER/WSHR HD	4

DET	PART NO.	DESCRIPTION	QUANT
39	054801	BASKET,TOOL--TANK VAC	1
40	054767	HANDLE,TUBE--TANK VACS	1
43	001501	SCR MACH PAN HD 10-32X1.75L	4
44	054765	SPACER,PVC--250X1.00,.500L	4
45	001368	SCR MACH PAN HD 10-32X1.00L	2
46	005340	NUT,HEX LOCK-- 10-32,NYLOC	2
47	054802	HOOK,S--218DIA,5 47L,CHROME	2
48	054764	TANK,MOLDED--15 GALLON,BLUE	1
49	054754	GUARD,FURNITURE--TANK VACS	1
50	054756	BAR,STL--PLATE CASTER,11,907L	2
50	055749	BAR STL--STEM CASTER,11,407L	2
51	034561	WDMT,AXLE--TANK VAC,12/15	1
52	002243	SCR CAP HEX HD .250-20X.625L	2
53	054768	WHEEL--RS 054526,W/ 3 HOLES	2
54	E48939	NUT,PUSH--500,WASHER CAP,	2
55	052204	CAP,HUB--PLASTIC,3.68OD,3.25BC	2
56	054874	RING,REINFORCEMENT--TANK,	1
57	001473	SCR TPG F PAN HD 10-10X.750L	4
58	054753	DEFLECTOR,INLET--TANK VAC	1
59	054812	LABEL,IDENT--KENT,DIE-CUT,WHT	1
60	E36384	GASKET-BODY	1
61	E49132	ASM,KNOB--	1
62	054875	BODY,INLET--PLASTIC,GRAY	1
63	054749	CASTER,SWIVEL--3.00DIA,STEM	2
63	055746	CASTER--3 00DIA,1.18X2.01PLATE	2
64	054762	GASKET,FOAM--.187X2.87X2.87	1
65	054761	VALVE,SLIDE--1.50DIA,T-HANDLE	1
66	001418	SCR MACH RD HD 10-32X1.50L	4
67	054776	BAG,FILTER--FLANNEL	1
68	050886	BAG,FILTER--KT100,POLYESTER	1
69	E48748	WSHR FLT 127ID 375OD 030T STL	4
70	004493	RIVET,POP--125 DIA. 312 MAX	4
71	051325	STRIKE,DOLLY LATCH--PELIC ZINC	2
72	003275	NUT,HEX-- 6-32,BRASS	4
73	004200	WSHR FLT 156ID 375OD 065T BRS	4
74	054856	LATCH,DRAW--ADJUSTABLE,	2
75	001238	SCR MACH RD HD 6-32X 500L	4
76	004491	WSHR FLT 500ID1 37OD 109T	2
77	002297	SCR MACH FLAT HD 312-18X 625L	2
78	005297	WSHR LK .200ID 334OD.047TSPLT	8
79	001509	SCR MACH PAN HD 10-32X 312L	8



TM-1242

# KT-15P PARTS LIST

DET	PART NO.	DESCRIPTION	QUANT	DET	PART NO.	DESCRIPTION	QUANT
1	005276	SCR SET CUP PT 250-20X 250L	1	50	054849	RETAINER,LATCH—NARROW,	2
2	054851	KNOB,T—BLACK,W/ 375 INSERT	1	51	005433	WSHR FLT 281ID 750OD 120T STL	4
3	054777	LABEL,IDENT—LOGO,BLUE,4 187	1	52	003429	NUT,SPEED,U—250-20,.58X1 125	2
4	002461	SCR MACH FLT HD 10-24X1 50L	4	53	054853	PLATE,STL—16 00X16.00	1
5	054847	COVER,AIR INLET—TANK VAC,P/O	1	54	054854	PLATE,SUPPORT—PUMP-OUT	1
6	003376	NUT,SPECIAL—KA-20 JACKNUT	4	55	001292	SCR MACH RD HD 10-24X 500L	10
7	054848	COVER,MOTOR—TANK VAC,MACH,	1	56	002460	SCR CAP HEX HD 250-20X8 00L	4
8	026973	SWITCH,TOGGLE—SPST,10A,250V	1	57	005552	SCR CAP HEX HD 250-20X1 00L	2
9	E55446	NUT-SWITCH GC679-A	1	58	054801	BASKET,TOOL—TANK VAC	1
10	027003	BSHG,STRAIN RLF—27-48 ACCOM	1	59	054767	HANDLE,TUBE—TANK VACS	1
11	006108	NUT,SPECIAL—500 PIPE,HEX LOC	1	60	001501	SCR MACH PAN HD 10-32X1 75L	4
12	047674	FLEX HOSE 1 1/2 DIA X 15 LG	1	61	054765	SPACER,PVC—250X1.00,.500L	4
13	025866	CORD,POWER—16-3 SJTW,50FT	1	62	001368	SCR MACH PAN HD 10-32X1.00L	2
14	004215	WSHR LK 398ID 694OD 040T EXT	1	63	005340	NUT,HEX LOCK—10-32,NYLOC	2
15	003294	NUT,HEX JAM—375-16,ZN PLT	1	64	054802	HOOK,S—218DIA,5.47L,CHROME	2
16	005320	WSHR FLT 406ID 750OD 060T STL	1	65	054858	TANK,MACH—15 GAL,PUMP-OUT	1
17	053371	HOSE,VINYL—RS98267.8 5L	1	66	054754	GUARD,FURNITURE—TANK VACS	1
18	051846	RING,RTNG—EXT, 375 SHAFT,STL	1	67	054756	BAR,STL—PLATE CASTER,11.907L	2
19	054852	SHAFT,VALVE—375 DIA	1	67	055749	BAR,STL—STEM CASTER,11.407L	2
20	046688	CLAMP,HOSE—1 75 MAX DIA,	1	68	034561	WDMT,AXLE—TANK VAC,12/15	1
21	001345	SCR TPG F PAN HD 10-24X 250L	1	69	054749	CASTER,SWIVEL—3 00DIA,STEM	2
22	054831	VALVE,PUMPOUT—STATIONARY	1	69	055746	CASTER—3 00DIA,1.18X2.01PLATE	2
23	025832	ASM,GROUND WIRE—18GA,12L,	1	70	002243	SCR CAP HEX HD 250-20X 625L	2
24	054832	VALVE,PUMPOUT—ROTATING	1	71	054768	WHEEL—RS 054526,W/ 3 HOLES	2
25	026683	NUT,WIRE—IDEAL 72B	1	72	E48939	NUT,PUSH—500 WASHER CAP,ZN	2
26	055248	GASKET,SUPPORT PLATE—KT-15P	1	73	052204	CAP,HUB—PLASTIC,3 680D,3 25BC	2
27	054850	RETAINER,LATCH—WIDE,PUMP-	3	74	054776	BAG,FILTER—FLANNEL	1
28	001473	SCR TPG F PAN HD 10-10X 750L	8	75	050886	BAG,FILTER—KT100,POLYESTER	1
29	054905	GASKET,FOAM—.125X 500,30 25L	1	76	003416	SCR TPG F WSH HD 10-24X.875L	2
30	054904	PLATE,SS—10 0 DIA	1	77	050369	DEFLECTOR:INLET AIR	1
31	048645	GASKET-VAC MOTOR	1	78	050388	FLAPPER VALVE KT900	1
32	E49190	BALL,PLSTC—4 000 DIA,1 375 OZ	1	79	050406	SPACER,NYLON—203X.437, 125L	2
33	054789	FRAME,FLOAT—TANK VAC	1	80	050420	ASM,INLET—KT900	1
34	005407	WSHR FLT 203ID 562OD 045T STL	4	81	054857	PAD,RUBBER—2 50X2 93X.250THK	3
35	111493	ALUMINUM FOIL 005X1X3	1	82	001238	SCR MACH RD HD 6-32X.500L	10
36	050033	BAG WIRE-SEPARATOR	1	83	054856	LATCH,DRAW—ADJUSTABLE,	5
37	E13099	ASM,SEPARATOR—	1	84	004200	WSHR FLT 156ID 375OD 065T BRS	10
38	054932	LABEL—BLUE DOT, 250 DIA	2	85	003275	NUT,HEX— 6-32,BRASS	10
39	003444	NUT,HEX—25-20,SERWSHR HD	4	86	050586	ASM,INLET—EXTENSION	1
40	005373	WSHR FLT 281ID 625OD 062T STL	12	87	054874	RING,REINFORCEMENT—TANK,	1
41	003283	NUT,HEX—250-20,ZN PLT	4	88	054141	PLATE—INLET,PAINTED,GREY	1
42	054909	SPACER,PHEN—265X 500,6 467L	4	89	001484	SCR TPG F HEX HD 10-24X1 25L	4
43	002422	SCR MACH PAN HD 10-24X2 50L	3	90	054952	O-RING—1 489ID,1 559OD, 070TK	3
44	024383	ASM,MTR & TERM—024214 W/QD	1	91	055241	PLATE,SS—GASKET RTNG,	4
45	052238	SPACER,PHEN—250X 500,1 500L	3	92	002416	SCR TPG F PAN HD 10-B X 375L	8
46	054898	BRACKET,MTR—ALUM,PUMP-OUT	1	93	004491	WSHR FLT 500ID1.37OD.109T	2
47	004253	WSHR LK 204ID 410OD 025T EXT	13	94	002297	WSHR LK FLAT HD 312-18X 625L	2
48	003279	NUT,HEX—10-24,ZN PLT	3	95	005297	WSHR LK 200ID 334OD 047TSPLT	8
49	003280	NUT,HEX—10-24,BRASS	10	96	001509	SCR MACH PAN HD 10-32X 312L	8

# THE KENT LIMITED WARRANTY

Your Kent equipment which has been manufactured, tested, and inspected in accordance with carefully specified engineering requirements, is warranted to be free from defects in material and workmanship. This warranty is, however, subject to the following qualifications, conditions, and limitations which are set forth to provide you and all users of the equipment with information concerning the duration, extent, availability, and applicability of the Kent limited warranty, the procedure to be taken to obtain its performance, and other information concerning the Kent warranty policy.

## **The Kent Limited Warranty is extended to the original end user as follows**

All Kent cord electric machines with the exception of upright and two motor upright vacuums have a three year warranty on parts, and one year labor coverage. Upright and two motor upright vacuums have a one year parts and labor warranty (except the Duravac 15 which has a two year parts one year labor warranty). Motor and gear unit assemblies on 175 RPM Floor Machines carry a warranty of five years. Poly components carry a ten year replacement warranty with one year service labor. This warranty will not cover damage attributable to the following:

- Improper, unreasonable or negligent use or abuse of the equipment
- Use of the equipment with hot water ( over 120 deg F , 49 deg C )
- "Warpage", "Creepage", or "Distortion" of the part so long as the same does not interfere with normal operation
- Abrasions or punctures of the equipment

The start date of the warranty coverage shall be the date the machine was shipped from the factory, or with proof of purchase the purchase date of the original end user. The start date of the warranty shall not exceed one year from the ship date from the factory.

## **Parts of Kent Equipment not covered by the Kent Limited Warranty**

Certain parts of Kent Equipment require replacement in the ordinary course of use due to normal wear by reason of their characteristics. These are normal wear items such as cords, squeegee blades, belts, gaskets, bumpers, carbon brushes, filters, hoses, bags, padholders, brushes, etc.

## **Exceptions and Exclusions from Warranty**

This equipment is required to be used on electric current as indicated on the dataplate. Otherwise damage, defects, malfunctions or other failures of the equipment arising from the use on electric current not as indicated are excepted and excluded from this warranty. Defects, malfunctions, failure, or damage of the equipment caused by improper care, unreasonable or negligent use or abuse of the equipment are likewise excluded from this warranty. If repair is done to the equipment by anyone other than those designated as authorized to perform such work without having obtained factory authorization in writing, the Kent Company at its sole option, may determine that this warranty will not apply and that reimbursement for such repair will not be made because of the failure to comply with such factory instructions.

## **Procedure to be taken to obtain performance of warranty repair**

To secure repair of the equipment or any warranted parts under this warranty, the following procedure must be taken. The inoperative equipment or warranted parts together with satisfactory evidence of the purchase date, must be delivered, with shipping and delivery charges prepaid, to one of the following:

- The dealer from whom purchased
- Any Kent distributor's service department in the United States
- Any Kent authorized service station in the United States

If you are unable to locate any of the foregoing, you may write or otherwise communicate with The Kent Company for instructions before repair service is performed by anyone else. In such event, The Kent Company will provide either the location of a Kent authorized service department or other factory instructions. In the event that no local service department is available, Kent at its discretion will repair or replace the part or equipment at the factory, the products will be returned to the owner freight prepaid. No warranty will be honored without proof of purchase, the model number, and serial number if applicable.

## **Replacement**

In the event of a defect, malfunction, or failure of your Kent equipment or any warranted part to conform with this warranty, The Kent Company may, at its sole option and own expense, replace the equipment or any warranted part with another new identical or reasonably equivalent model or part in lieu of repairing the defect.

## **No refund of purchase price**

The Kent Company will not, as a matter of its warranty policy, refund the customer's purchase price.

## **Warranty registration**

Your Kent Company distributor from whom you purchased your equipment is responsible for the registration of your warranty with the factory. We ask that you cooperate with your distributor in supplying the necessary information on the warranty card so that we may better serve you. Any information or questions that you may have concerning your Kent equipment or this warranty may likewise be secured from the factory. This warranty gives you specific legal rights, and you may also have other rights which vary from state to state.