



## Electronic Service Manuals

This electronic document is provided as a service to our customers. We do not create the contents of the information contained in this document. Should you have detailed questions pertaining to the information contained in this document, you may contact Michco, or the manufacturer which provided the original information in this electronic deliverable. Michco's only part in this electronic deliverable was the electronic assembly process.

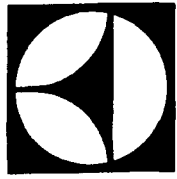
You may contact Michco through the following methods:  
Phone (517) 484-9312 or (800) 331-3339 MI, OH, IN only  
2011 N. High St. -- Lansing, Michigan -- 48906  
Fax: (517) 484-9836  
Email: [CustServ@Michco.com](mailto:CustServ@Michco.com)  
Web site: [www.Michco.Com](http://www.Michco.Com)  
Parts Web site: [www.FloorMachineParts.Com](http://www.FloorMachineParts.Com)

Order Parts on Line at:  
**[www.FloorMachineParts.Com](http://www.FloorMachineParts.Com)**

Directly to Parts & Service:  
By Email: **[Shop@Michco.com](mailto:Shop@Michco.com)**  
By Fax: (517) 702-2041  
By Voice: Use numbers above.

**Serving the Cleaning Industry Since 1922**

Notice: All copyrighted material remains property of original owners, all trademarks are property of respective owners. Manuals are subject to Manufacturer's reproduction limitations. Originals or reproductions were provided by manufacturers through a request. We make no warranty as to the correctness of information provided in this document and you assume all risk.



# KENT

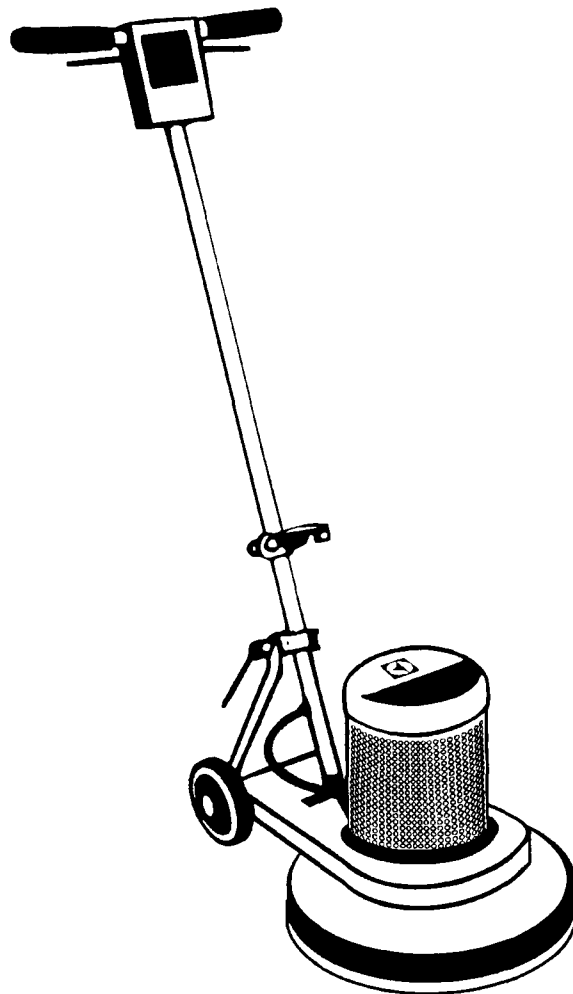
## OWNER'S MANUAL

OPERATION • CARE • SERVICE

FLOOR FINISHING MACHINES

**KF-174SL**  
**KF-204SL**  
**KF-206SL2**

115 VOLT



# TABLE OF CONTENTS

Machine Specifications .....	1
Service Information .....	2
Important Safety Instructions .....	2
Grounding Instructions .....	3
Operation .....	3
Choosing The Right Brush And Drive Block .....	3
Brush And Drive Block Installation .....	3
Adjustments .....	4
Features .....	4
Controls .....	5
Guideline For Operation .....	5
Cord Storage .....	5
Clean Up And Storage .....	5
Wiring Diagrams .....	6
Floor Machine Assemblies .....	7
Floor Machine Parts List .....	8
Optional Accessories .....	9
Motor And Gear Box Parts List .....	9
Motor And Gear Box Assembly .....	10

## MACHINE SPECIFICATIONS

	<b>KF-174SL</b>	<b>KF-204SL</b>	<b>KF-206SL2</b>
Voltage.....	115 V/60 Hz	115 V/60 Hz	115 V/60 Hz
Power Cord.....	50 ft. (15.2 m) 14-3 ST Fixed	50 ft. (15.2 m) 14-3 ST Fixed	50 ft. (15.2 m) 14-3 ST Fixed
Motor.....	1HP / 66 Frame	1HP / 66 Frame	1.5 HP / DC Rectified
RPM.....	175	175	175/300
Gear Box.....	Planetary 2-Idler Steel Cut Helical Gears.	Planetary 2-Idler Steel Cut Helical Gears.	Planetary 2-Idler Steel Cut Helical Gears.
Machine Weight .....	90 lbs. (40.8 Kg.)	94 lbs. (42.6 Kg.)	105 lbs. (47.6 Kg.)

## SERVICE INFORMATION

To obtain consistent performance over the life of your Kent equipment, read through these instructions and save them for future reference. If you require service, contact the dealer from which the machine was purchased or an authorized service station. Always refer to your limited warranty for complete service information.

THE KENT CO.			
ELKHART, INDIANA U.S.A.			
SERIAL NO.		MODEL	
VOLTS	PHASE	Hz.	
MOTOR 1	AMP.	H.P.	
MOTOR 2	AMP.	H.P.	

The model, type, and serial number are indicated on the data plate on the back of the handle. For prompt and complete service, refer to these numbers when inquiring about service.

Write the model and serial number of your unit in the space provided. Refer to the rating plate on unit.	
MODEL #	SERIAL #
Retain this owner's manual for future reference.	

## IMPORTANT SAFETY INSTRUCTIONS

When using an electrical appliance, basic precautions should always be followed, including the following:

**READ ALL INSTRUCTIONS BEFORE USING THIS FLOOR FINISHING MACHINE.**

### WARNING

To reduce the risk of fire, electric shock, or injury:

- Your floor machine is equipped with a safety switch lock and power switch triggers designed for your safety. Do not attempt to bypass or defeat the safety switch lock. Never use any device to lock the power switch triggers in the "ON" position.
- Do not leave the floor machine when plugged in. Turn off the switch and unplug the electrical cord when not in use and before servicing or changing brushes or pads.
- Do not allow to be used as a toy. Close attention is necessary when used near children. Do not

leave floor machine connected to an electrical outlet unattended.

- Use only as described in this manual. Use only manufacturer's recommended attachments.
- Do not use with a damaged cord or plug. If the floor machine is not working as it should, has been dropped, damaged, or left outdoors, return it to a service center before using.
- Use care to keep the electrical supply cord from contacting the rotating brush or drive block.
- Do not pull, close a door on, or pull the cord around sharp edges or corners. Keep the cord away from heated surfaces.
- Connect to a properly grounded (3-wire) outlet only (refer to Grounding Instructions).
- Do not use extension cords or outlets with inadequate current carrying capacity.
- Turn off all controls before unplugging.
- Do not unplug by pulling on cord. To unplug, grasp the plug, not the cord.
- Do not handle the plug or floor machine with wet hands.
- Wind the cord no tighter than is necessary to retain it during storage. Refer to "Cord Storage".
- Hold plug when rewinding onto cord reel. Do not allow the plug to whip when rewinding.
- Use extra care when working near stairs.
- Do not use in conjunction with flammable or combustible liquids such as gasoline, or use in areas where explosive vapor or dust may be present.
- Store your floor machine indoors in a cool, dry area.
- Keep your work area well lighted.
- Warning - To avoid electrical shock, use indoors only.

## SAVE THESE INSTRUCTIONS

# GROUNDING INSTRUCTIONS

## DO NOT USE IN CANADA!

This appliance must be grounded. If it should malfunction or break down, grounding provides a path of least resistance for electric current to reduce the risk of electric shock. This appliance is equipped with a cord having an equipment grounding conductor and grounding plug. The plug must be plugged into an appropriate outlet that is properly installed and grounded in accordance with all local codes and ordinances.

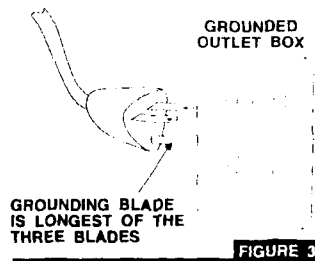
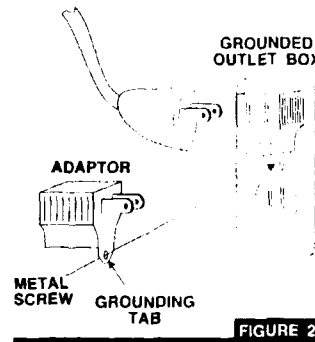
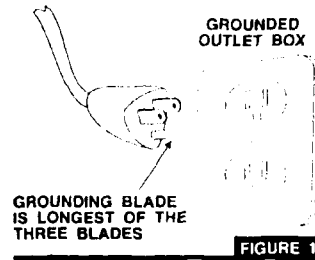
## DANGER

### For floor finishing machines rated less than 150 volts:

Improper connection of an equipment grounding conductor can result in risk of electric shock. Check with qualified electrician or service person if you are in doubt as to whether the outlet is properly grounded. Do not modify the plug provided with the appliance. If it will not fit the outlet, have proper outlet installed by a qualified technician. This appliance is for use on a nominal 120 volt circuit and has a grounding plug that looks like the plug illustrated in Figure A. A temporary adapter which looks like the adapter illustrated in Figure B may be used to connect this plug to a two pole receptacle, as shown, if a properly grounded outlet is not available. The temporary adapter should be used only until a properly grounded outlet, Figure A, can be installed by a qualified electrician. The green colored rigid ear, lug, or the like extending from the adapter must be connected to a permanent ground such as a properly grounded outlet box cover. Whenever the adapter is used, it must be held in place by a metal screw.

### For floor finishing machines rated 150-250 volts:

If the machine is provided with an attachment plug cap as shown in Figure 3, it is intended for use on a 240 Volt (nominal) circuit. No adapter is available for this cap.



## OPERATION

### CHOOSING THE RIGHT BRUSH AND DRIVE BLOCK

Your floor machine is packed completely assembled and ready for use after you install a brush or drive block. (Brushes and pads are not provided with the unit but are available at an additional cost. See "Optional Accessories.")

Your Kent floor machine is designed to be used for many different floor care applications. Make sure you use the correct brush or pad for the type of job you want to perform. (see the "Kent Accessory Catalog" available from the dealer from whom the floor machine was purchased, or the local authorized Kent Service Agency.)

When ordering brushes or drive blocks, remember that the block diameter is always 2" smaller than the brush diameter. Refer to the following chart and specify either brush or block diameter when ordering.

MACHINE SIZE	BRUSH DIAMETER	BLOCK DIAMETER
17"	17"	15"
20"	20"	18"

Clutch plate P/N 46294 is common to all model KF Kent floor machines.

## BRUSH AND DRIVE BLOCK INSTALLATION

NOTE - Disconnect the power cord from the electrical outlet before installing a brush or drive block.

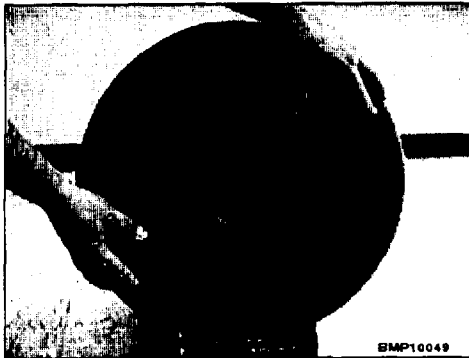


Figure 1

To install a brush or drive block on your floor machine, leave the handle in the upright position and tip the machine backwards so it rests on its rear wheels and upper handle section. Align the cut-outs on the inner ring of the brush or drive block with the tabs on the inside the ring of the brush cover. Push the brush or drive block firmly in position, then turn it counter-clock-wise until it locks in place.

Always remove the brush or drive block when the machine is not in use.

(To remove the brush or drive block, turn it clockwise until it stops, then lift it off.)

FOR BEST RESULTS, USE KENT PAD DRIVE BLOCKS.

## ADJUSTMENTS

### HANDLE ADJUSTMENT

The handle of your floor machine can be adjusted to any comfortable work position. Simply pull upward on the handle locking device located on the lower handle shaft to release the lock, then adjust the handle to the desired position and push down firmly on the handle locking device to lock the handle in position.

The proper handle position will greatly improve the handling of the machine. Adjust the handle to a position where you can control the machine easily and comfortably and where the brush or pad surface balances flat and level on the floor. You will want to experiment with the handle position to find the handle height at which the unit operates best for you.

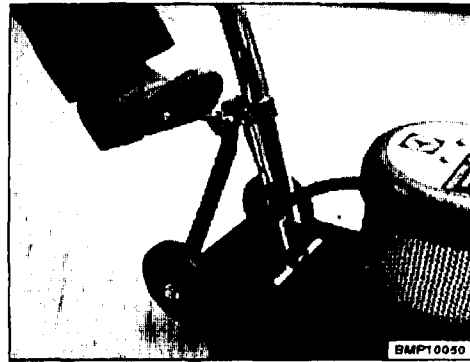


Figure 2

### ADJUSTING THE HANDLE LOCK

With the cam handle above the horizontal position (unlock position), tighten the lock nut until there is a slight drag when the machine handle tube is raised and lowered. Then loosen the lock nut slightly (1 turn) until the machine handle tube moves freely.

The handle tube should not lock securely when the cam handle is pressed downward. If the handle tube does not lock securely, tighten the lock nut slightly.

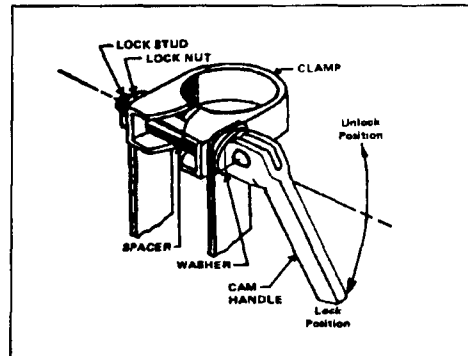


Figure 3

## FEATURES

- Dual trigger negative pressure switch allows operator to run with either hand.
- Safety lock mechanism prevents accidental start.
- Steel transmission gears give outstanding wear and durability.
- Planetary gearbox means strength.
- Premium 66 frame motors provide better cooling and more torque with longer life.
- One piece welded heavy steel handles give superior handling stability.
- Ergonomically designed foot operated positive-lock handle adjustment eliminates bending.
- High strength aluminum alloy frames withstand heavy duty wear situations.

## CONTROLS

### ON/OFF POWER SWITCH TRIGGERS

The ON/OFF switch is conveniently located in the form of dual triggers underneath the handle grips.

### TO TURN THE MACHINE ON

The handle should be lowered to the operating position before switching the machine on. Place both hands firmly on the handle grips with your fingers around power triggers. Do not apply pressure on the triggers before the safety switch lock is disengaged.

Disengage the safety switch lock by pushing it away from you with one thumb. Then, while holding the safety switch lock in disengaged position, squeeze the power triggers toward the handle grips and return your thumb to the handle grip.

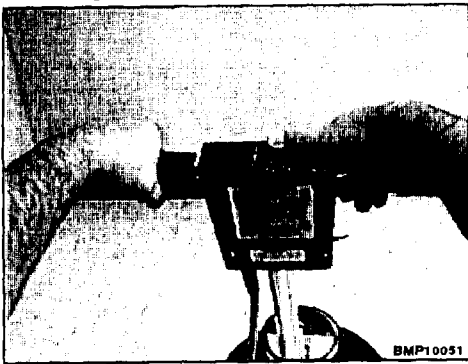


Figure 4

To stop the machine, simply release the triggers. The safety switch lock will automatically return to the engaged position.

### USING THE KF-206SL2 FOR BUFFING

The model KF-206SL2 is a two-speed floor machine designed for dual operation, scrubbing or buffing. A toggle switch on the right side of the switch box selects the output speed, 175 RPM for scrubbing or 300 RPM for buffing. Do not operate this floor machine for buffing in low speed, it will not do an effective job and tends to overload the motor unnecessarily. Should overloading occur for an abnormal period, a circuit breaker will interrupt the power and shut the machine down. Should this occur, press the circuit breaker button to reset the breaker.

## GUIDELINE FOR OPERATION

- Your floor machine is a very sensitive, powerful unit. When in operation, it should be guided gradually and smoothly without sudden or rough motions. You will want to practice with your machine on a smooth surface first until you have experience in operating it.
- For ease in operation, always keep the brush or pad surface level, balanced, and flat on the floor at all times.

- Always adjust the handle to a comfortable height at which the brush or pad surface is balanced before starting the machine (see "Handle Adjustment").
- Your floor machine will operate differently on various surfaces. For example, there will be much more resistance when the machine is used with a brush on carpeted surfaces than when it is used with a pad on a smooth surface; so, the operator should be prepared to adjust for these differences.
- **BEGIN OPERATING THE FLOOR MACHINE WITH THE BRUSH OR PAD SURFACE LEVEL, BALANCED, AND FLAT ON THE FLOOR.**
- To move machine to the right, slowly apply slight upward pressure on the handle.
- To move machine to the left, slowly apply slight downward pressure on the handle.
- To move machine directly forward or backward, keep brush or pad surface flat on the floor and push or pull machine in desired direction.

**DO NOT LET THE MACHINE REST ON THE PAD OR BRUSH FOR AN EXTENDED PERIOD OF TIME.** This may alter the shape of the pad which may cause the machine to wobble.

## CORD STORAGE

When not in use, loosely wind the power cord around the cord storage hook on the handle shaft and both of the handle grips, as shown.

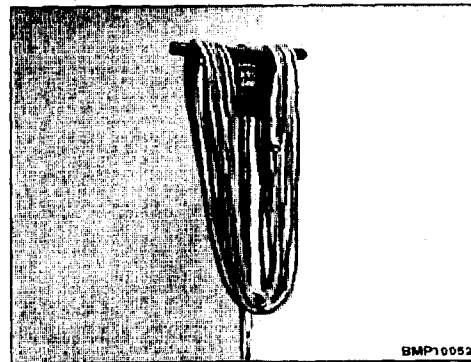
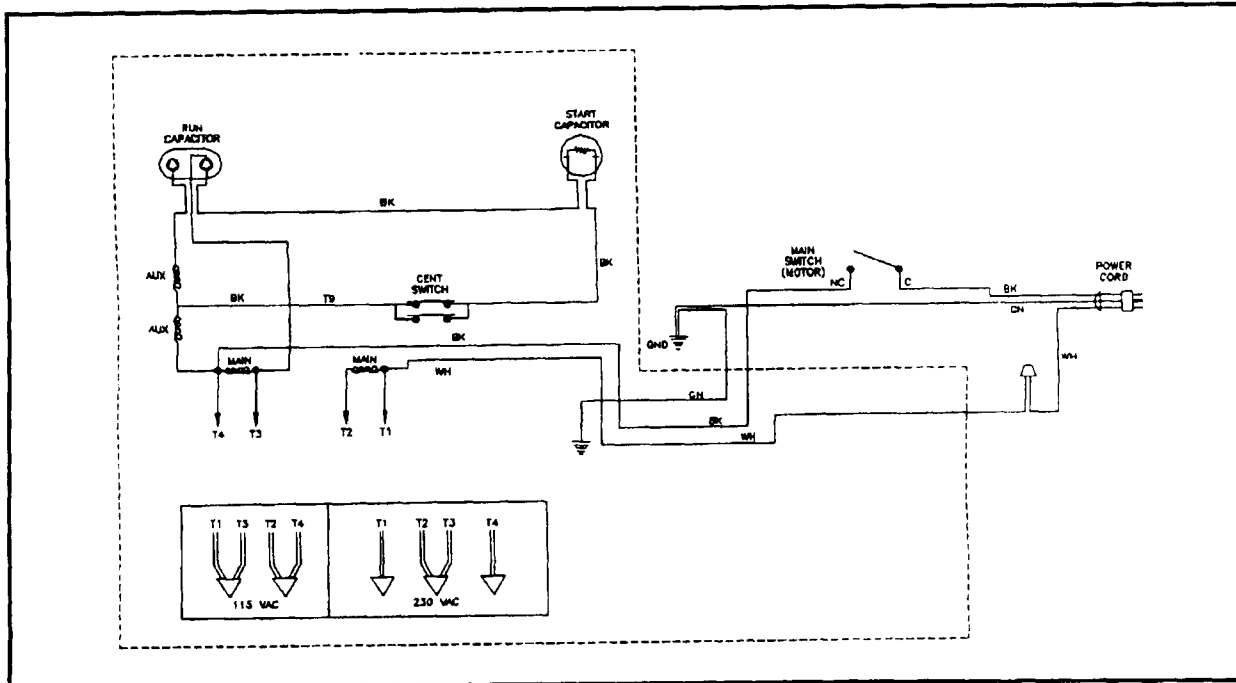


Figure 5

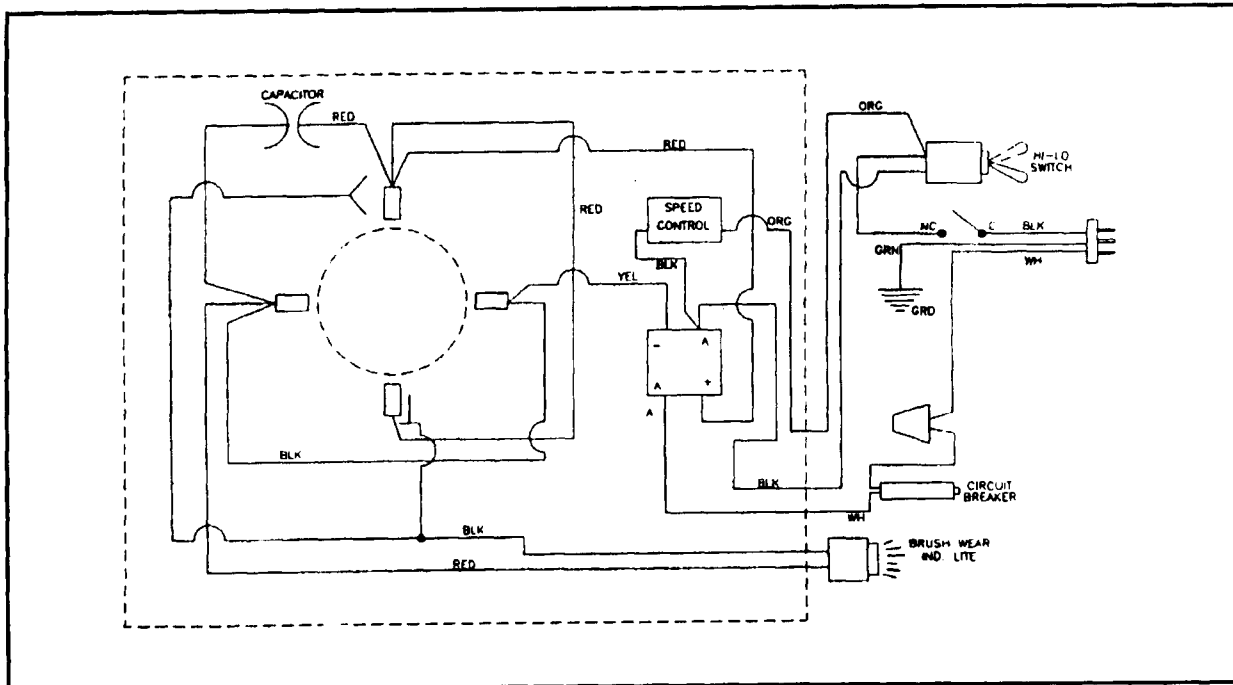
## CLEAN UP AND STORAGE

After being used, your floor machine can be wiped clean with a soft, damp cloth and should be stored in a clean, dry place.

# WIRING DIAGRAMS

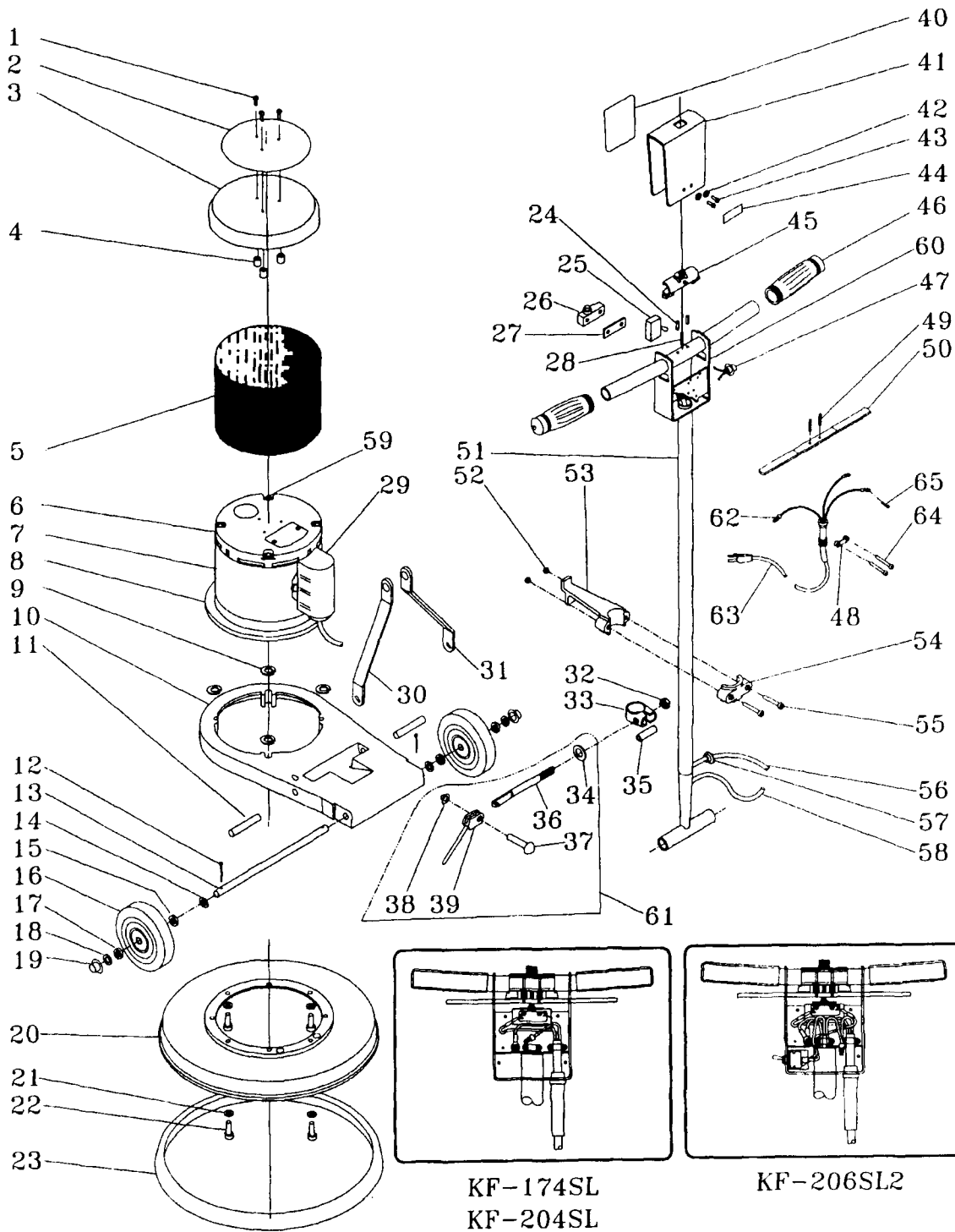


WIRING DIAGRAM - AC MOTOR MODELS



WIRING DIAGRAM - TWO SPEED MOTOR MODEL

# SELECT LINE FLOOR MACHINE ASSEMBLY



TM-1437

# SELECT LINE FLOOR MACHINE PARTS LIST

REF. NO.	KF 174SL X ----- -----	KF 204SL ----- X ----- -----	KF 206SL2 ----- ----- X ----- -----	DESCRIPTION	NO. REQ
				KF-174SL, 17" Fl Mach, 1HP	
				KF-204SL, 20" Fl Mach, 1HP	
				KF-206SL2, 20" Fl Mach, 2-Speed	
1	01331	01331	01331	Screw	3
2	50060	50060	50060	Label, Incl, 6.5 dia.	1
3	56298	56298	56304	Cover, Drip - Motor	1
4	46309	46309	52238	Spacer, Drip Cover	3
5	56293	56293	56305	Cover, Motor - Screen	1
6	23415	23415	-----	Mtr/Gear Unit Asm., 115/60, 1.0HP	
6	-----	-----	23416	Mtr/Gear Unit Asm., 115/60, 1.5HP	
7	24421	24421	-----	Motor, 115 Volt/60HZ - Black, 1HP	1
8	35093	35093	-----	Gear Unit, 10:1, 2-Idler - Black	1
9	04444	04444	04444	Lockwasher, 5/16ID, Ext. T	4
10	56296	56296	56296	Frame - Floor Machine - Silver Vein	1
11	46542	46542	46542	Roll Pin, 1/2 x 2-3/4	2
12	05383	05383	05383	Cotter Pin	2
13	48067	48067	48067	Shaft, Axle	1
14	05449	05449	05449	Spring Washer	2
15	04230	04230	04230	Fibre Washer	2
16	48058	48058	48058	Wheel, 5" dia.	2
17	04230	04230	04230	Fibre Washer	2
18	05227	05227	05227	Steel Washer, 33/64 x 7/8	10
19	E48939	E48939	E48939	Nut, Push--.50	2
20	56297	-----	-----	Brush Cover, 17" - Silver Vein	1
20	-----	56303	56303	Brush Cover, 20" - Silver Vein	1
21	04212	04212	04212	Lockwasher, 5/16 ID	4
22	03213	03213	03213	Scr, 5/16-18 x 1-3/4 Soc Hd	4
23	53729	-----	-----	Bumper, 17" - Black	1
23	-----	53331	53331	Bumper, 20" - Black	1
24	05467	05467	05467	Roll Pin	2
25	-----	-----	26699	Circuit Breaker, 20A	1
25	-----	-----	26973	Hi-Lo Switch	1
26	26903	26903	26903	Switch	1
27	55804	55804	55804	Insulation, Switch	1
28	48785	48785	48785	Spring	1
29	28810	28810	-----	Capacitor, 594 MFD	1
30	56295	56295	56295	Connecting Leg - Left	1
31	56294	56294	56294	Connecting Leg - Right	1
32	05279	05279	05279	Nut, 3/8-16 Hex	1
33	46595	46595	46595	Clamp, Handle Lock	1
34	46607	46607	46607	Washer, Hardened	1
35	46606	46606	46606	Spacer Guide	1
36	46597	46597	46597	Stud, Clamp	1
37	04314	04314	04314	Rivet, 5/16 x 3/4 Rd Hd	1
38	46632	46632	46632	Push Nut, 5/16	1
39	46596	46596	46596	Cam, Handle Lock	1
40	56292	56292	56308	Label, Switchbox	1
41	35091	35091	35091	Cover Asm., Switchbox - Silver Vein	1
42	04253	04253	04253	Lockwasher, No. 10, Ext. T	2
43	01331	01331	01331	Screw, 10-24 x 3/4 Pan Hd	2
44	50871	50871	50871	Label, Warning	1
45	50588	50588	50588	Switch, Safety	1
46	47418	47418	47418	Handle Grip, Black	2
47	-----	-----	26476	Light, Brush Wear Indicator	1
48	55788	55788	55788	Clamp-In Handle Cord	2
48	01331	01331	01331	Screw, 10-24 x .75	2
49	46648	46648	46648	Spring, Trigger	2
50	56089	56089	56089	Trigger	1
51	34895	34895	34896	Handle Weldment	1
52	03349	03349	03349	Nut, 5/16-18 Hex	2
53	48571	48571	48571	Cord Hook Body	1
54	48572	48572	48572	Cord Hook Cap	1
55	05515	05515	05515	Scr, 5/16-18 Pan Hd	2
56	-----	-----	25997	In-Handle Cord, 14-4	1
57	55868	55868	55868	Grommet	1
58	-----	-----	25752	Cable, Electric - 20-2, 60 in.	1
59	02377	02377	-----	Screw, Mtr - 1/4-20 x 6-3/4	4
60	35090	35090	35094	Handle Asm., Complete	1
61	32656	32656	32656	Cam Lock Asm., Inc. 16-20	1
62	26400	26400	26400	Nut, Wire	1
63	25067	25067	25067	Power Cord, 14-3 ST, 50 ft.	1
64	55788	55788	55788	Clamp, Power Cord	2
65	01331	01331	01331	Screw, 10-24 x .75	1

## OPTIONAL ACCESSORIES

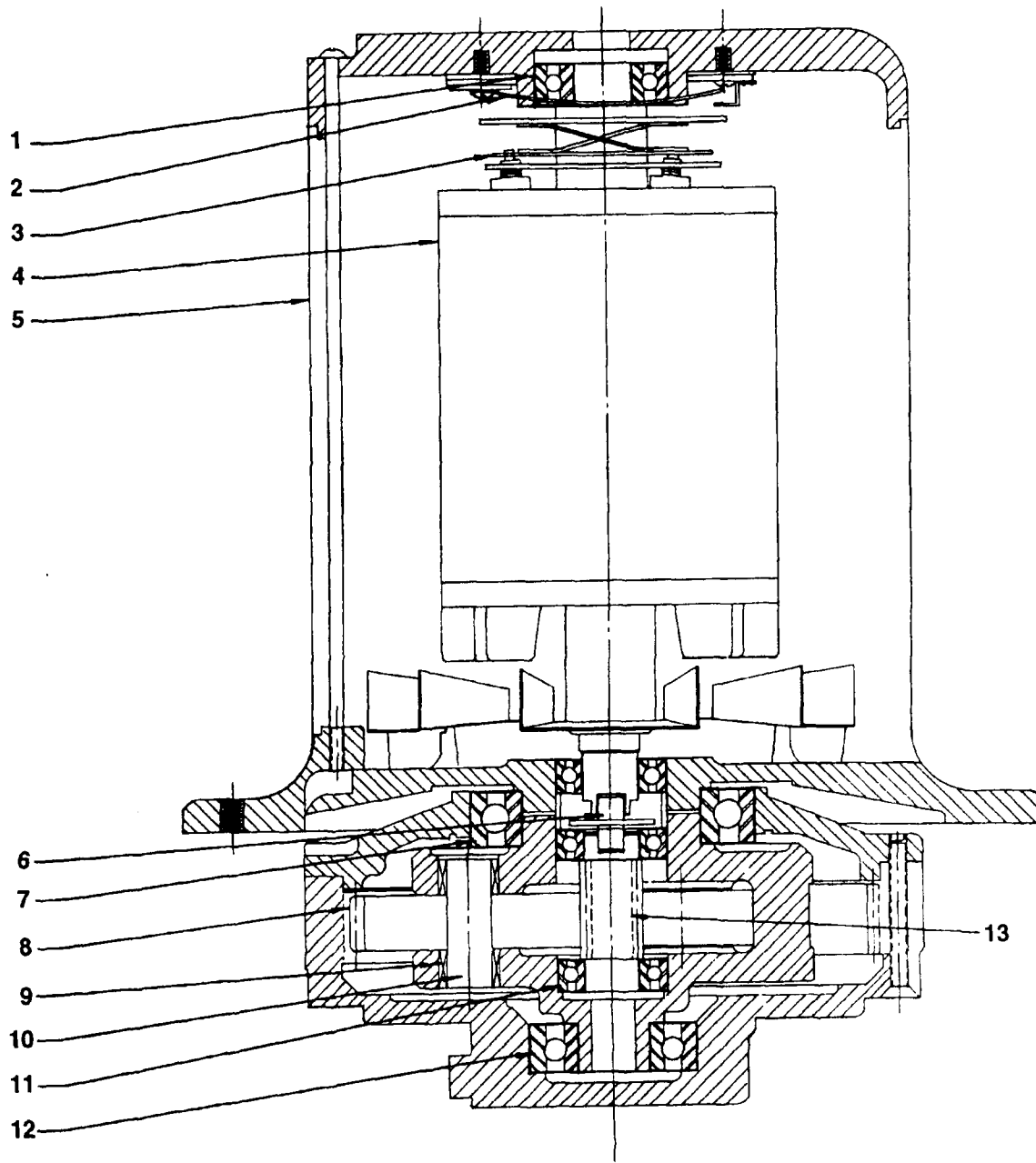
REF. NO.	KF	KF	KF	DESCRIPTION
	174SL	204SL	206SL2	
	20191	20192	20192	Fibre Scrub Brush
	20182	20183	20183	Polish Brush
	20202	20203	20203	Steel Wire Brush
	20225	-----	-----	Shampoo Brush
	20300	20301	20301	Ken-Grit Brush
	20358	20359	20359	Kent Pad Holder
	38311	38311	38311	Solution Tank Kit
	15645	15646	15646	Super Polish Pad, White
	15648	15649	15649	Scrub Pad, Blue
	15642	15643	15643	Buff Pad, Red
	15681	15682	15682	Strip Pad, Black
	51888	51888	51888	Sprayer, Pressure
	26675	26675	26675	Plug, Hospital Grade, 115V
	42797	42797	42797	Spring, PC Strain Relief
	06108	06108	06108	Nut for Spring, 2 Req'd.
	46294	46294	46294	Clutch Plate - Elum, 3 Holes
	20372	20372	20372	Clutch Plate - Plastic, 6 Holes
	-----	-----	20373	Flex Pad Holder

## MOTOR AND GEAR BOX PARTS LIST

REF. NO.	PART NO.	DESCRIPTION	MOTOR MANUFACTURER	
			DOERR	IMPERIAL
	KF-174SL			
	KF-204SL		KF-206SL2	
	1HP		1-1/2HP	
1	27217	Bearing, Switch End	1	
2	*26677	Stationary Switch, 50 & 60 Cy, 3.5 x 3	1	
2	**26933	Stationary Switch, 50 & 60 Cy, 3.5 x 2.5	1	
3	*26678	Centrifugal Switch, 60 Cy, 2.75 OD	1	
3	**26770	Centrifugal Switch, 50 Cy, 2.75 OD	1	
3	**26932	Centrifugal Switch, 60 Cy, 2.25 OD	1	
3	**27006	Centrifugal Switch, 50 Cy, 2.25 OD	1	
4	24378	Rot. Asm., 60 Cy, Doerr #PR74416G & H	1	
4	24165	Rot. Asm., 60 Cy, Doerr #PR74417A-F	1	
4	24379	Rot. Asm., 60 Cy, Doerr #PR74417G-k	1	
6	23994	Coupling	1	1
7	27210	Bearing	1	1
8	-----	Gear, Idler - 11:1		3
8	24136	Gear, Idler - 10:1	2	
9	27211	Bearing	4	6
10	24137	Shaft	2	3
11	27213	Bearing	3	3
12	27212	Bearing	1	1
13	38696	Pinion, 10:1 Ratio	1	
13		Pinion, 11:1 Ratio		1
Not Shown:	39280	Brush Board & Ring Asm.		1
	39281	Brush Mechanism		4
	39282	Spring, Brush Mechanism		4
	39283	Bridge Rectifier, 115V		1
	39284	Capacitor (Varistor), 115V		1
	39285	Triac Control - 115V		1

\*OLD  
\*\*NEW

# MOTOR AND GEAR BOX ASSEMBLY



# THE KENT LIMITED WARRANTY

Your Kent equipment which has been manufactured, tested, and inspected in accordance with carefully specified engineering requirements, is warranted to be free from defects in material and workmanship. This warranty is, however, subject to the following qualifications, conditions, and limitations which are set forth to provide you and all users of the equipment with information concerning the duration, extent, availability, and applicability of the Kent limited warranty, the procedure to be taken to obtain its performance, and other information concerning the Kent warranty policy.

## **The Kent Limited Warranty is extended to the original end user as follows**

All Kent cord electric machines with the exception of upright and two motor upright vacuums have a three year warranty on parts, and one year labor coverage. Upright and two motor upright vacuums have a one year parts and labor warranty. Motor and gear unit assemblies on 175 RPM Floor Machines carry a warranty of five years.

Poly components carry a ten year replacement warranty with one year service labor. This warranty will not cover damage attributable to the following:

- : Improper, unreasonable or negligent use or abuse of the equipment.
- : Use of the equipment with hot water ( over 130 deg. F , 54 deg. C ).
- : "Warpage", "Creepage", or "Distortion" of the part so long as the same does not interfere with normal operation.
- : Abrasions or punctures of the equipment.

The start date of the warranty coverage shall be the date the machine was shipped from the factory, or with proof of purchase, the purchase date of the original end user. The start date of the warranty shall not exceed one year from the ship date from the factory.

## **Parts of Kent Equipment not covered by the Kent Limited Warranty**

Certain parts of Kent Equipment require replacement in the ordinary course of use due to normal wear by reason of their characteristics. These are normal wear items such as cords, squeegee blades, belts, gaskets, bumpers, carbon brushes, filters, hoses, bags, padholders, brushes, etc.

### **Exceptions and Exclusions from Warranty**

This equipment is required to be used on electric current as indicated on the dataplate. Otherwise damage, defects, malfunctions or other failures of the equipment arising from the use on electric current not as indicated are excepted and excluded from this warranty. Defects, malfunctions, failure, or damage of the equipment caused by improper care, unreasonable or negligent use or abuse of the equipment are likewise excluded from this warranty. If repair is done to the equipment by anyone other than those designated as authorized to perform such work without having obtained factory authorization in writing, the Kent Company at its sole option, may determine that this warranty will not apply and that reimbursement for such repair will not be made because of the failure to comply with such factory instructions.

### **Procedure to be taken to obtain performance of warranty repair**

To secure repair of the equipment or any warranted parts under this warranty, the following procedure must be taken. The inoperative equipment or warranted parts together with satisfactory evidence of the purchase date, must be delivered, with shipping and delivery charges prepaid, to one of the following:

- : The dealer from whom purchased.
- : Any Kent distributor's service department in the United States.
- : Any Kent authorized service station in the United States.

If you are unable to locate any of the foregoing, you may write or otherwise communicate with The Kent Company for instructions before repair service is performed by anyone else. In such event, The Kent Company will provide either the location of a Kent authorized service department or other factory instructions. In the event that no local service department is available, Kent at its discretion will repair or replace the part or equipment at the factory, the products will be returned to the owner freight prepaid. No warranty will be honored without proof of purchase, the model number, and serial number if applicable.

### **Replacement**

In the event of a defect, malfunction, or failure of your Kent equipment or any warranted part to conform with this warranty, The Kent Company may, at its sole option and own expense, replace the equipment or any warranted part with another new identical or reasonably equivalent model or part in lieu of repairing the defect.

### **No refund of purchase price**

The Kent Company will not, as a matter of its warranty policy, refund the customer's purchase price.

### **Warranty registration**

Your Kent Company distributor from whom you purchased your equipment is responsible for the registration of your warranty with the factory. We ask that you cooperate with your distributor in supplying the necessary information on the warranty card so that we may better serve you. Any information or questions that you may have concerning your Kent equipment or this warranty may likewise be secured from the factory. This warranty gives you specific legal rights, and you may also have other rights which vary from state to state.