



Electronic Service Manuals

This electronic document is provided as a service to our customers. We do not create the contents of the information contained in this document. Should you have detailed questions pertaining to the information contained in this document, you may contact Michco, or the manufacturer which provided the original information in this electronic deliverable. Michco's only part in this electronic deliverable was the electronic assembly process.

You may contact Michco through the following methods:
Phone (517) 484-9312 or (800) 331-3339 MI, OH, IN only
2011 N. High St. -- Lansing, Michigan -- 48906
Fax: (517) 484-9836
Email: CustServ@Michco.com
Web site: www.Michco.Com
Parts Web site: www.FloorMachineParts.Com

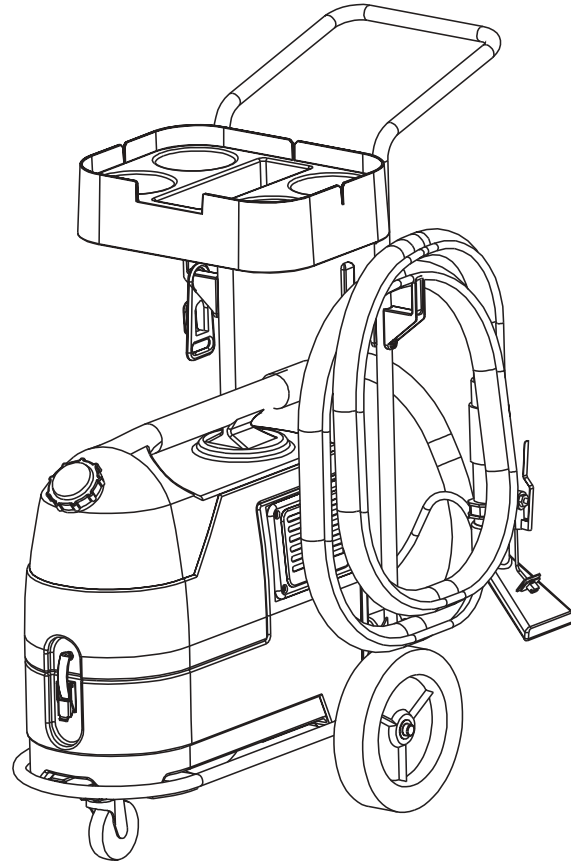
Order Parts on Line at:
www.FloorMachineParts.Com

Directly to Parts & Service:
By Email: **Shop@Michco.com**
By Fax: (517) 702-2041
By Voice: Use numbers above.

Serving the Cleaning Industry Since 1922

Notice: All copyrighted material remains property of original owners, all trademarks are property of respective owners. Manuals are subject to Manufacturer's reproduction limitations. Originals or reproductions were provided by manufacturers through a request. We make no warranty as to the correctness of information provided in this document and you assume all risk.

SelectSpot™



PARTS LIST

Kent / Euroclean MODEL 56220100



KENT
Euroclean

Working For A Cleaner World

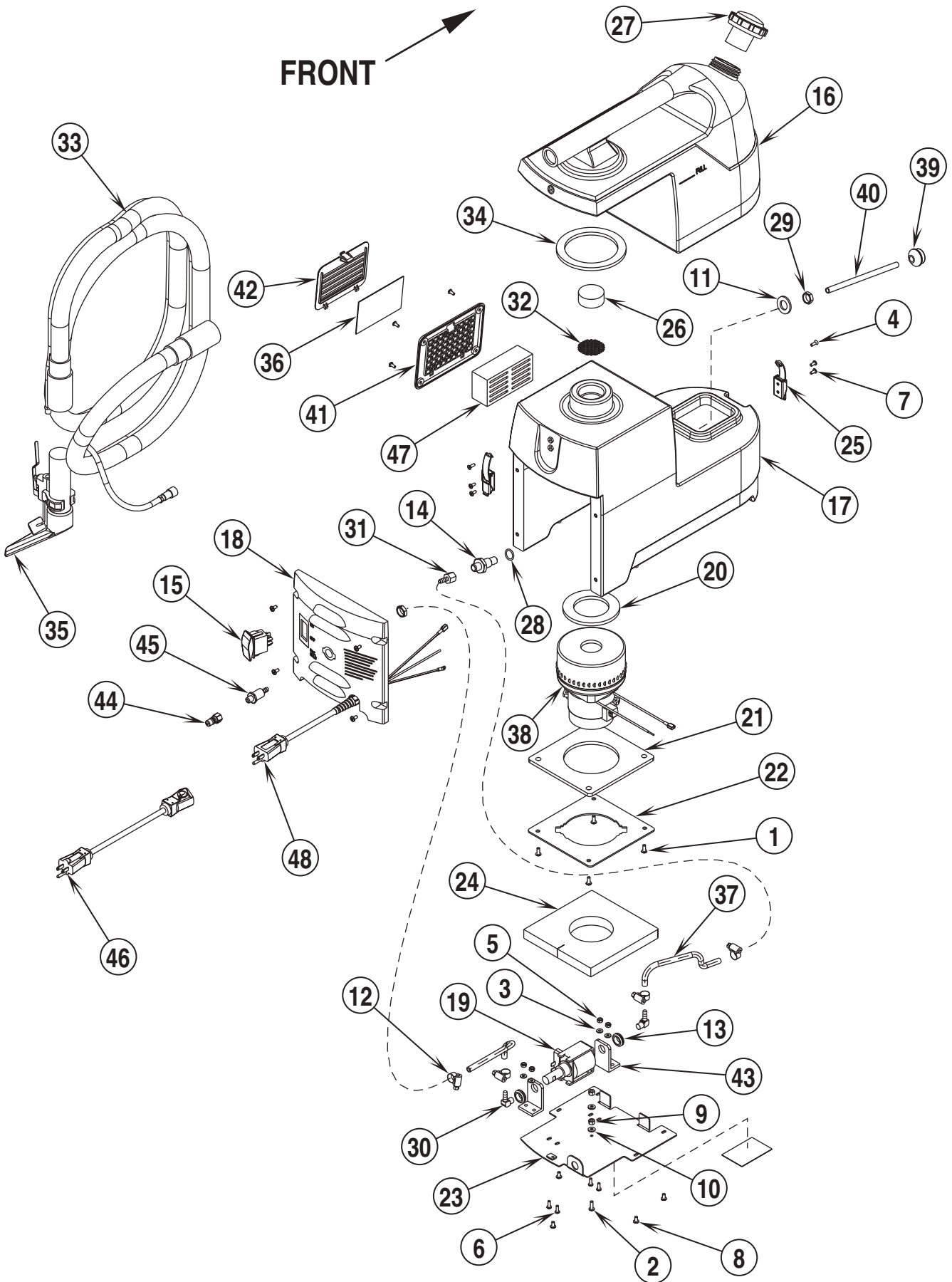
10/98 revised 2/03 FORM NO. 56042356

DESCRIPTION	PAGE
SELECTSPOT™	4-5
CART ASSEMBLY (OPTIONAL)	6-7
WIRING DIAGRAM	7

WHEN ORDERING PARTS

- * Use the 8 digit numbers from the "Ref. No." columns in this parts list.
- * Specify the model and serial number of the machine.
- * Use the space below to record the model and serial number for future reference.

Model _____ Serial No. _____



98-10	SELECTSPOT™			
03-2	SelectSpot™			5

Item	Ref. No.	Qty	Description	Item	Ref. No.	Qty	Description
	56220100	1	SelectSpot™	29	56745860	2	Nut, Jam, 5/8-18 Brass
1	56001993	4	Scr, Pan Phil 10-24 x .50	30	56755726	2	Barb, Hose Male
2	56002124	1	Scr, Pan Phil 10-24 x .62	31	56756360	1	Barb, Hose Female
3	56002140	4	Wsh, Flt SAE #8	32	56220034	1	Screen, Vac Intake
4	56002396	2	Scr, Flt Phil 8-32 x .50	33	56220035	1	Hose Assy TSBUS2003-839 / NOTE 1
5	56002865	4	Nut, Hex Nyl Loc-Thin 8-32	*	56220046	1	Solution Hose Assy
6	56002876	4	Scr, Pan Phil SS 8-32 x .50	*	56220047	1	Vacuum Hose Assy
7	56003018	8	Scr, Pan Phil SS 8-32 x .38	*	56478246	6	Tie, Cable
8	56003189	9	Scr, Pan Phil SS 10-24 x .38	34	56220036	1	Gasket, Tank Seal
9	56009009	2	Nut, Hex Machine 10-24	35	56220037	1	Hand Tool TSBUS2003-839
10	56009011	2	Wsh, Int Shprf #10		56220109	1	Upholstery Tool Assembly TSBUS2003-839
11	56009218	1	Wsh, Flt .688 x 1.250 x .125	36	56220041	A/R	Electrostat Exht. Filter (Pkg 10)
12	56756364	4	Clamp, Hose SAE #4	37	56220043	2	Solution Feed Hose
13	56157376	2	Grommet	38	56220045	1	Vac Motor Assy
14	56172075	1	Nipple 1/4NPT x 5/8-18	**	56220065	1	Carbon Brush Set
15	56220001	1	Switch, Rocker	39	56220048	1	Strainer
16	56220002	1	Tank, Recovery	40	56220049	1	Tube
17	56220101	1	Tank, Solution	41	56220050	1	Bezel, Filter
18	56220004	1	Panel, Front Molded	42	56220052	1	Grill, Filter
19	56220006	1	Pump	43	56220053	1	Bracket, Kit
20	56220007	1	Gasket, Vac Seal Upper	44	56220055	1	Plug
21	56220008	1	Gasket, Vac Seal Lower	45	56220058	1	FTG 1/8NPT x 1/4 Barb
22	56220009	1	Vac Mount Plate	46	56220061	1	Cord Set, 16/3 x 25' Yel
23	56220016	1	Panel, Bottom	47	56220062	1	Foam, Vac Exhaust
24	56220021	1	Foam Air Difusser	48	56220063	1	Cord, Pigtail Assy
25	56220023	2	Latch	*	56163228	1	Bell Nut
*	56220024	1	Wire Assy (Blk 11")				
26	56220025	1	Foam, Vac Intake				
*	56220026	1	Wire Assy (Wht 6")				
*	56220027	1	Wire Assy (Grn/Yel 14")				
*	56220028	1	Wire Assy (Blk 4")				
*	56220029	1	Wire Assy (Blk 4" & Blk 5")				
27	56220066	1	Cap				
28	56742552	1	O-Ring -114 NBR 70				
**	56220070	1	Upholstery Tool (requires 56220075 before SN1650915)				
**	56262207	1	Stand-Up Wand Kit (requires 56220075 before SN1650915)				
**	56220075	1	Quick Disconnect Adapter Kit (only required for machines built prior to SN1650915)				

* = Not Shown

** = Optional Accessory

NOTE: When using the new style Hose Assembly **PN56220035** with the old style Hand Tool **PN56220037**, you will need to remove one of the quick disconnect fittings from the solution hose.

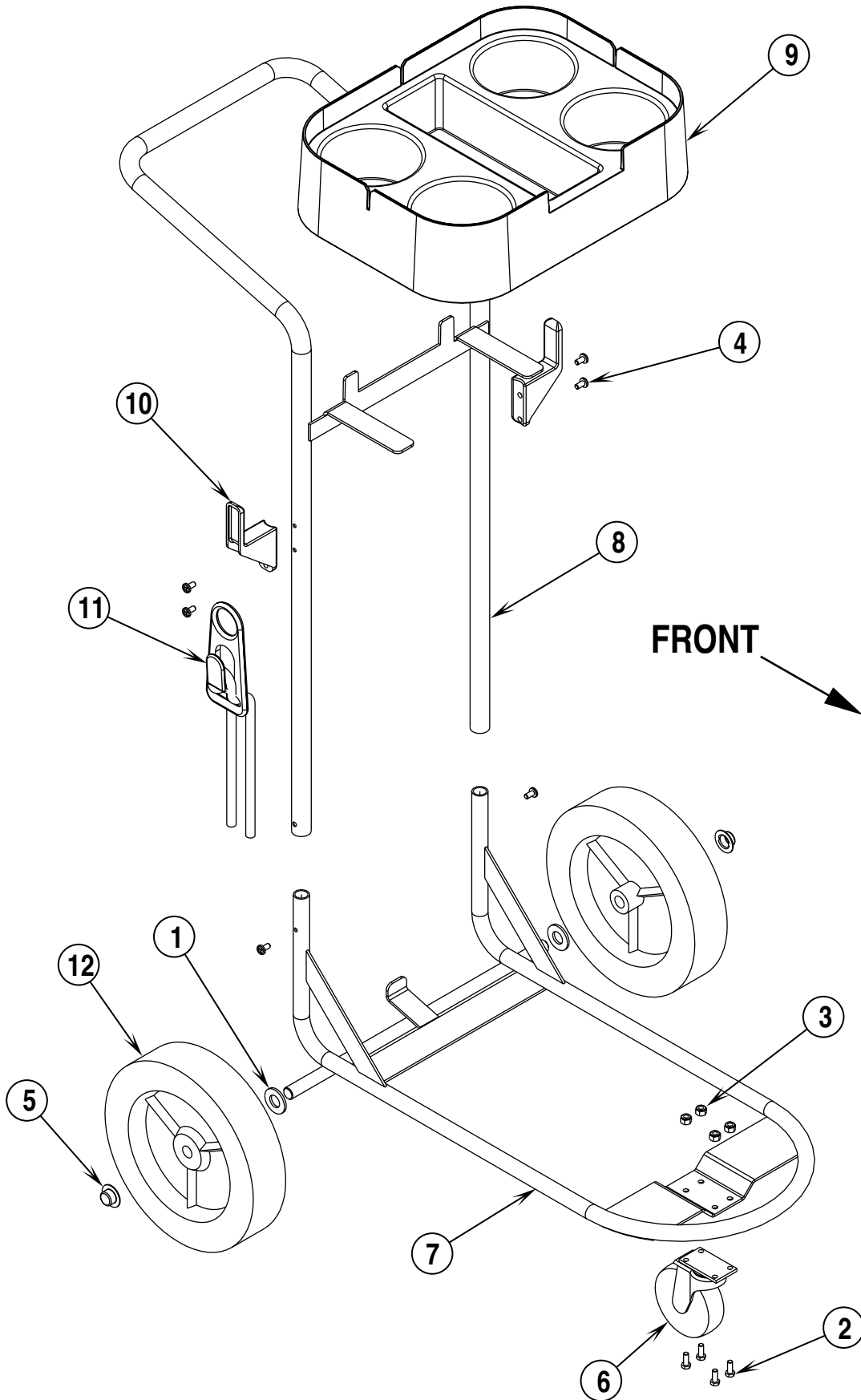
CART ASSEMBLY (OPTIONAL)

98-10

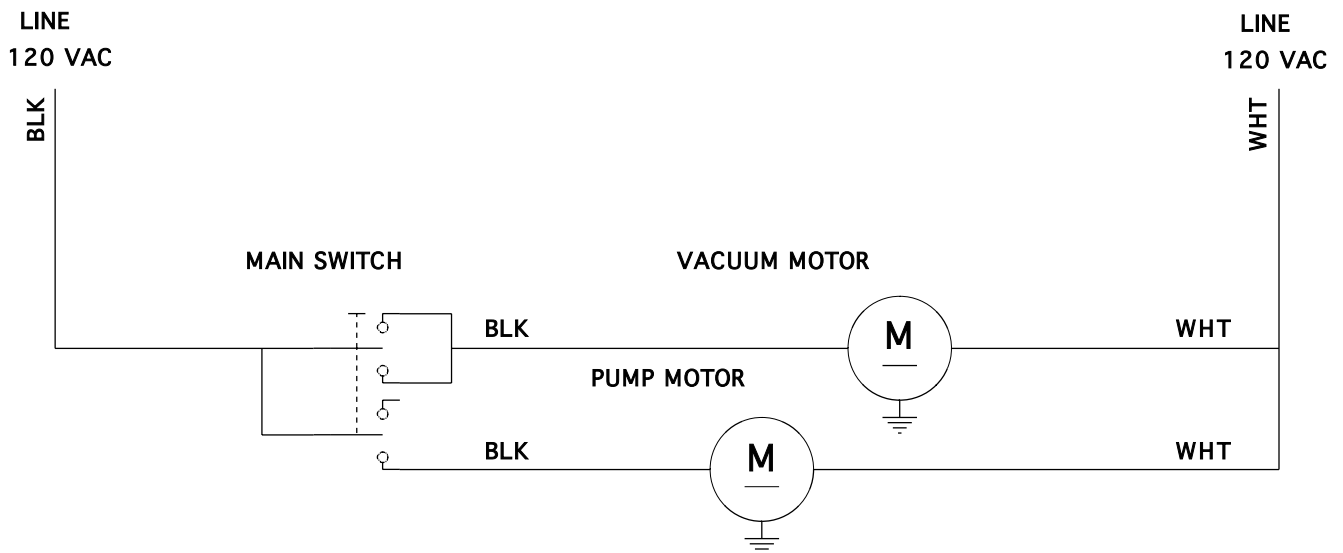
6

SelectSpot™

01-2



Item	Ref. No.	Qty	Description
	56220018	1	Cart Assembly
1	56001879	2	Wsh, Flt SAE 1/2
2	56002503	4	Scr, Hex Hd 10-24 x .50
3	56002768	4	Nut, Hex Nyl Loc 10-24
4	56009030	6	Scr, Pan Phil Thd Form 10-24 x .38
5	56009097	2	Nut, Push Cap 1/2
6	56201693	1	Caster Swiv 3.0 x .81
7	56220017	1	Chassis Weld't
8	56220020	1	Handle Weld't
9	56220022	1	Molded Tray
10	56262518	2	Hook, Cord
11	56262535	1	Strain Relief
12	56346594	2	Wheel, 8 Inch



Item	Ref. No.	Qty	Description
	56220001	1	Main Switch
	56220045	1	Vacuum Motor
**	56220065	1	Carbon Brush Set
	56220006	1	Pump Motor

** = Optional Accessory



Kent/Euroclean
14600 21st Avenue North
Plymouth, MN, 55447-3408
www.eurocleanusa.com
Phone: 800-334-1083
Fax: 866-261-4779