



Electronic Service Manuals

This electronic document is provided as a service to our customers. We do not create the contents of the information contained in this document. Should you have detailed questions pertaining to the information contained in this document, you may contact Michco, or the manufacturer which provided the original information in this electronic deliverable. Michco's only part in this electronic deliverable was the electronic assembly process.

You may contact Michco through the following methods:
Phone (517) 484-9312 or (800) 331-3339 MI, OH, IN only
2011 N. High St. -- Lansing, Michigan -- 48906
Fax: (517) 484-9836
Email: CustServ@Michco.com
Web site: www.Michco.Com
Parts Web site: www.FloorMachineParts.Com

Order Parts on Line at:
www.FloorMachineParts.Com

Directly to Parts & Service:
By Email: **Shop@Michco.com**
By Fax: (517) 702-2041
By Voice: Use numbers above.

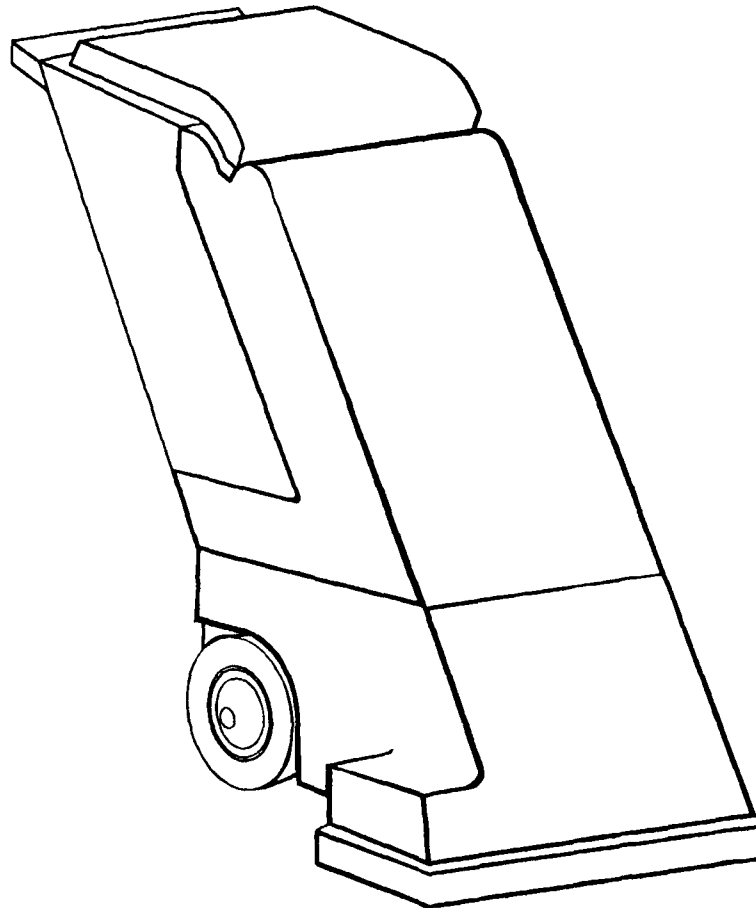
Serving the Cleaning Industry Since 1922

Notice: All copyrighted material remains property of original owners, all trademarks are property of respective owners. Manuals are subject to Manufacturer's reproduction limitations. Originals or reproductions were provided by manufacturers through a request. We make no warranty as to the correctness of information provided in this document and you assume all risk.



KENT

PARTS



KX-180SCA

Spare Parts List

TABLE OF CONTENTS

TANKS ASSEMBLY	2
CONTROL PANEL ASSEMBLY	3
AUXILLARY PANEL ASSEMBLY	4
BASE ASSEMBLY	5,6
NOZZLE ASSEMBLY	7
CARPET AGITATOR ASSEMBLY	8
WIRING DIAGRAM	9
WARRANTY	10

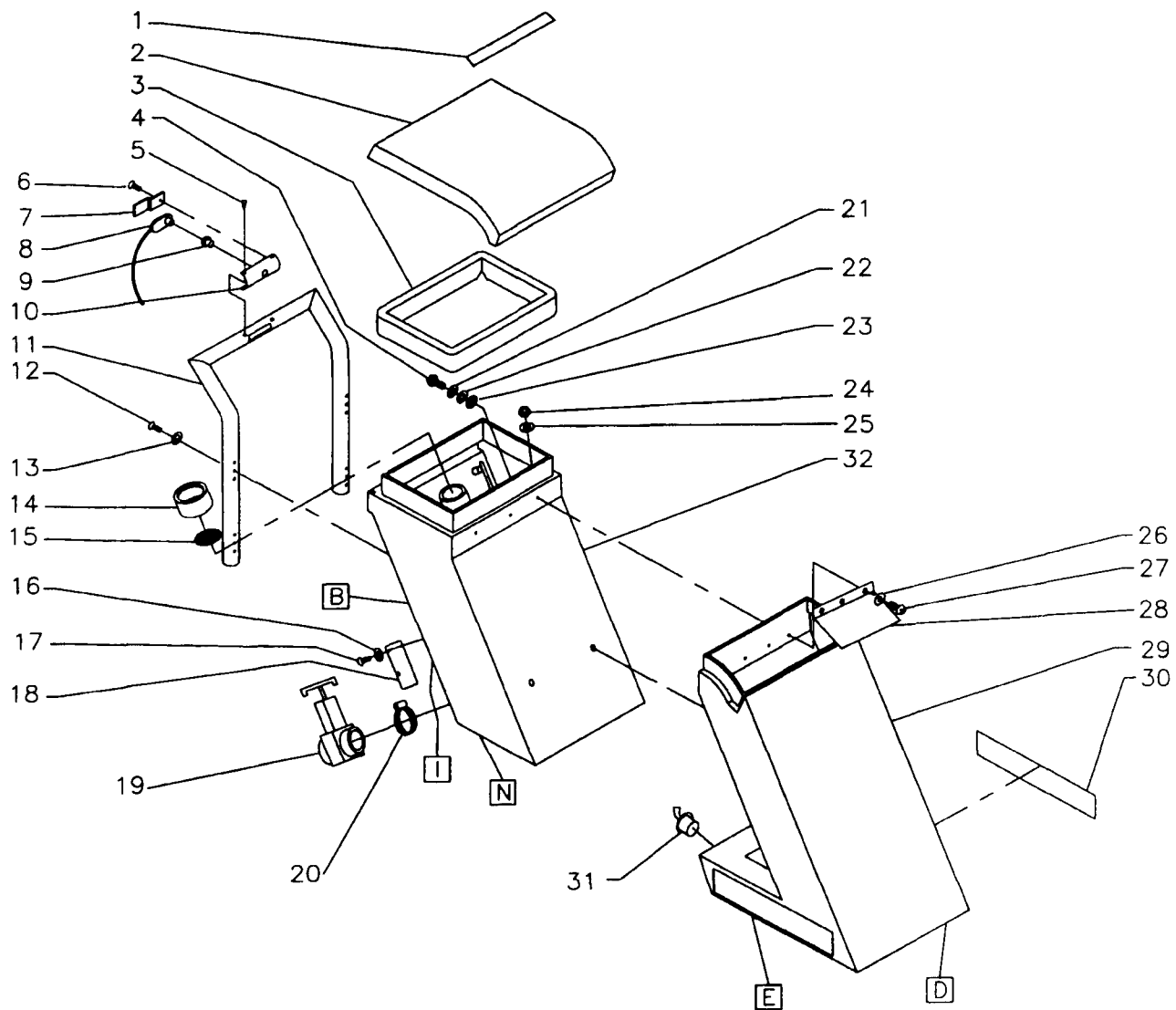
RECOMMENDED SPARE PARTS

Recommended spare parts should be ordered and stocked to avoid possible down time for normal wear, or in case of failure.

1	056099	NOZZLE, TIP—110DEG, 110015, REMV	5
2	024394	PUMP, WATER—100PSI, 115V, SHRFL0	1
3	034729	ASM, BRUSH—CYL, 2.25ODX18.429	1
4	027034	SWITCH, RKR—SPST, 16A, 125/250V	3
5	027021	SWITCH, PUSH—WATERPROOF/MODIF	1
6	055245	BELT, V—6V'S, 17.00" PITCH LG	2
7	038993	COVER, FILTER—IN-LINE STRAINER	2

TM-1795A

TANKS ASSEMBLY

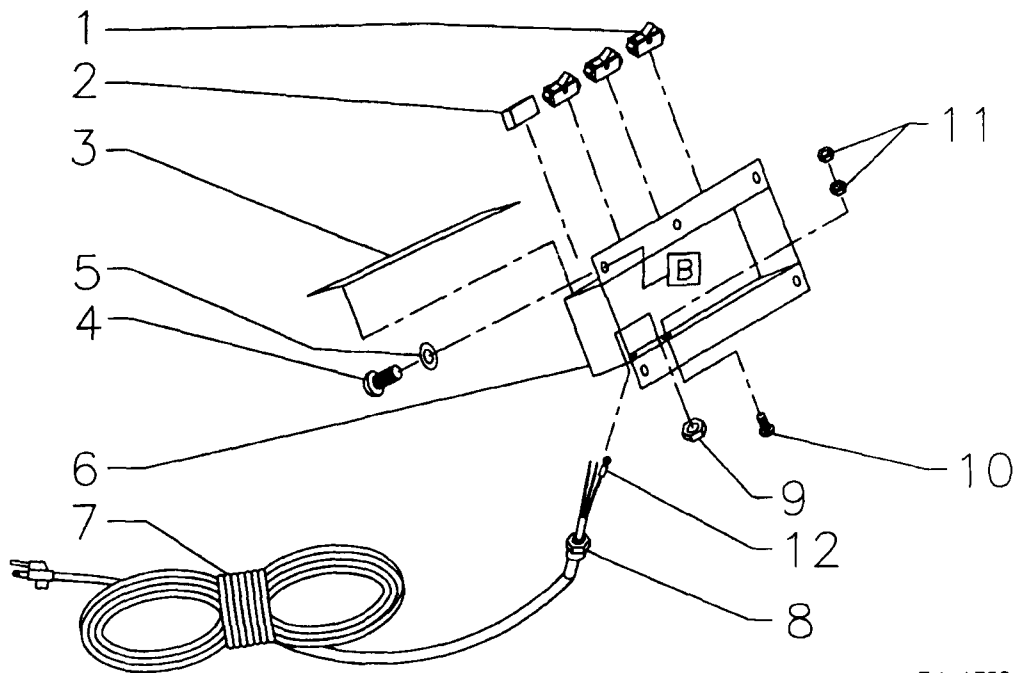


TM-1778

DET. PART NO.	DESCRIPTION	QUANT.	DET. PART NO.	DESCRIPTION	QUANT.
1	054726 LABEL, INSTR—TILT/START 1X6.6"	1	17	223046 SCR MACH RD HD 10-32X.375L	2
2	055106 COVER, TANK—TRANSPARENT MOLD	1	18	055256-24 PLT, STL—16GA, 18" EXTR, GRAY	1
3	055092 GASKET, FOAM—RECOVERY/EXTR	1	19	055070 VALVE, SLIDE—SHUTOFF, 1.5" PIPE, T	1
4	S50146 SCR CAP HEX HD .250-20X1.25L	2	20	049999 CLAMP, HOSE—2.25 MAX DIA, WORM	1
5	055105 CLIP, ARROW NYLON, .540L	4	21	004207 WSHR FLT .281ID.562OD.063T BRS	2
6	005316 SCR TPG F PAN HD 10-24X.375L	1	22	004509 WSHR FLT .344ID1.00OD.109T, BRS	2
7	055104 PLATE, STL—11GA FORMED	1	23	111384 BUSHING 1 7/32X3/16	2
8	027021 SWITCH, PUSH—WATERPROOF/MODIF	1	24	003406 NUT, HEX— 10-24, SS	2
9	055103 BUTTON, PLSTC—PUMP SW, EXTR	1	25	224074 WSHR SEAL .203ID SS	3
10	034728-24 WDMT, COVER—EXTR HANDLE, 18"	1	26	004535 WSHR FLT .203ID.562OD.045T, SS	3
11	055255-24 HANDLE, PNTD—18" EXTR, GRAY	1	27	002452 SCR MACH PAN HD 10-24X1.00L, SS	3
12	002271 SCR MACH RD HD—.250-20X1.75L	4	28	055724 SCREEN, ALUM—SOL INTAKE, 18EXTR	1
13	050208 WSHR LK .262ID.470OD.026T INT	4	29	055250 TANK, SOL—MACH, 18" EXTR, RBLUE	1
14	055265 COUPLING, PIPE—MACH, 1.50 SCH40	1	30	054812 LABEL, IDENT—KENT, DIE-CUT, WHT	2
15	054748 SCREEN, MESH—1.87 DIA.	1	31	054583 PLUG, EXPANSION—.75DIA, SNAPTIE	1
16	004253 WSHR LK .204ID.410OD.025T EXT	2	32	055251-1 TANK, REC—MACH, 18" EXTR, RBLUE	1

TM-1778A

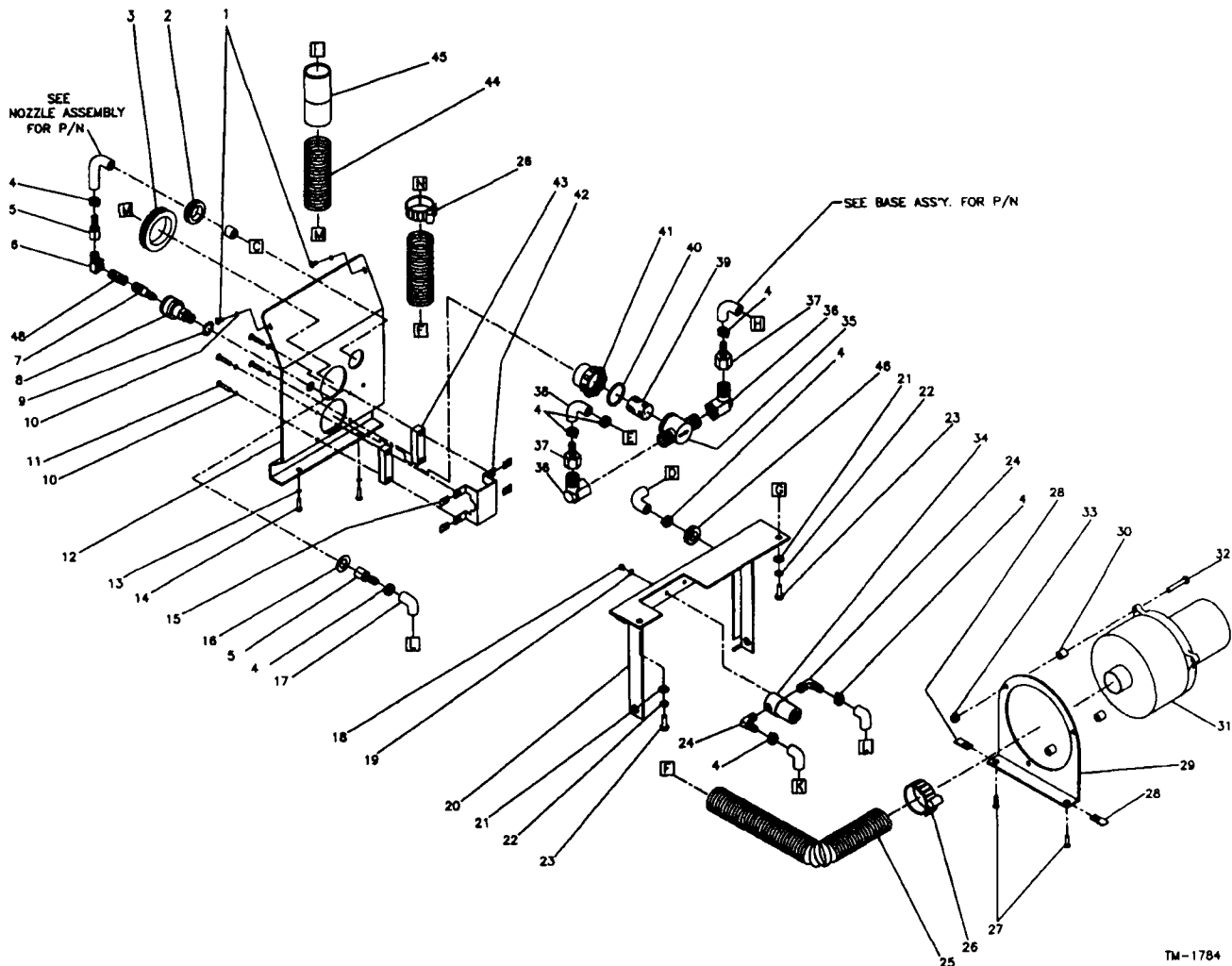
CONTROL PANEL ASSEMBLY



TM-1782

DET.	PART NO.	DESCRIPTION	QUANT.
1	027034	SWITCH,RKR—SPST,16A,125/250V	3
2	027035	LIGHT,INDICATOR—125V,RED,HORZ	1
3	055388	LABEL,INSTR—PWR,VAC,PUMP,BRSH	1
4	223046	SCR MACH RD HD 10-32X.375L	5
5	004253	WSHR LK .204ID.410OD.025T EXT	5
6	034775-24	WDMT,PNL—18"EXTR,GRAY	1
7	025891	CORD,POWER—14-3 SJT,50FT,GRAY	1
8	053094	BSHG,STRAIN RLF—.31-.37 ACCOM	1
9	006108	NUT,SPECIAL—.500 PIPE,HEX LOC	1
10	001327	SCR MACH PAN HD 10-24X.750L	1
11	001519	NUT,KEPS— 10-24,ZN PLT	2
12	026124	TERM,LUG—RING,#10,14-16 AWG,I	1

AUXILLARY PANEL ASSEMBLY



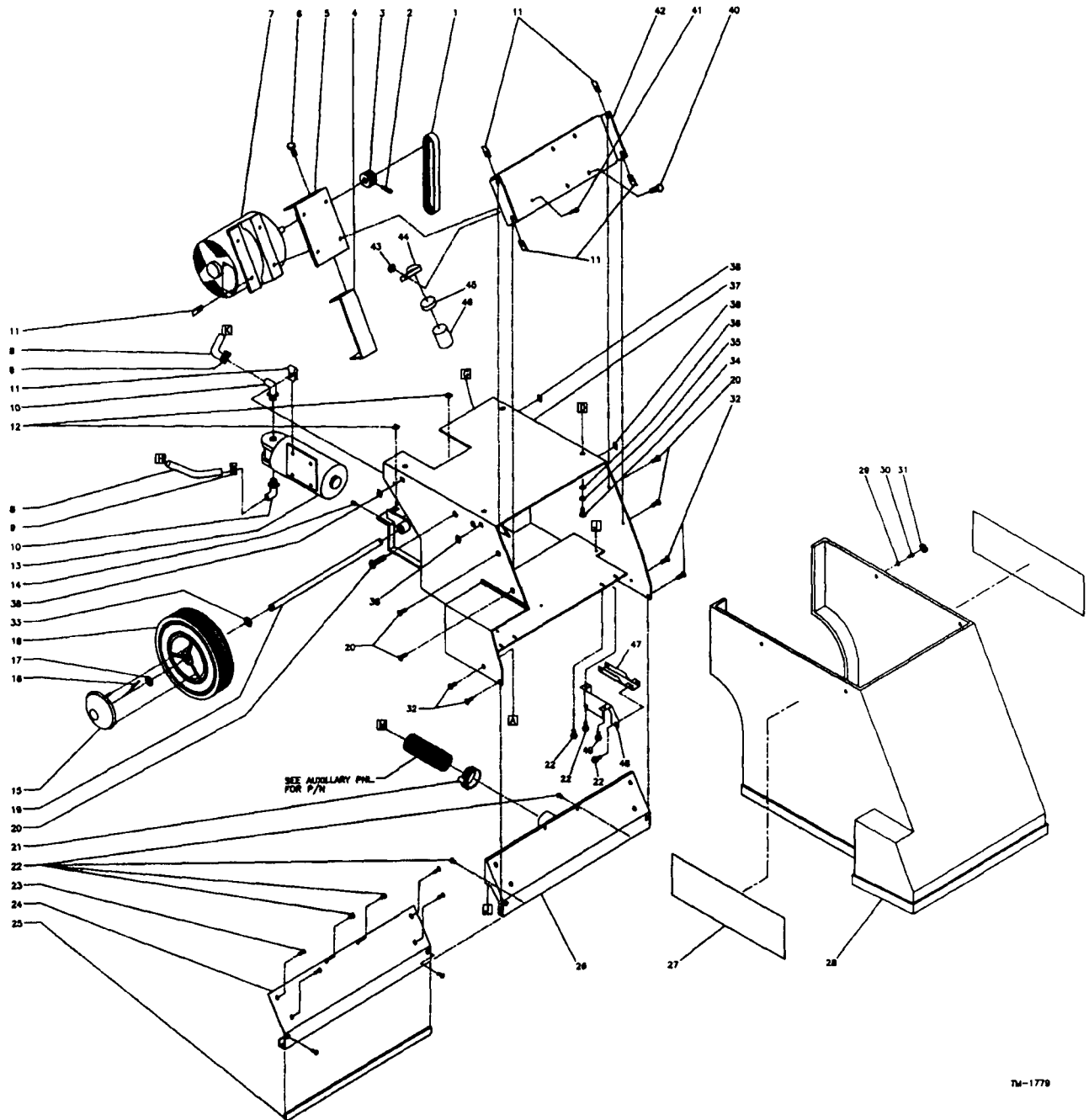
TM-1784

DET.	PART NO.	DESCRIPTION	QUANT.
1	223046	SCR MACH RD HD 10-32X.375L	2
2	055434	GROM—1.0ID,1.25MHD,.125PA	1
3	053901	GROM—1.93ID,2.43MHD,.125PA	1
4	051581	CLAMP,HOSE—.625 MAX DIA,WORM	8
5	006126	ADPTR,PP-HS—1/4FPTX3/8HS,BRS	1
6	050199	ELBOW,PIPE—1/4 MPTX1/4IPT	1
7	057709	NIPPLE,QC—1/4"FPT,FLUID	1
8	057708	COUPLER,QC—1/4"FPT,FLUID	1
9	004524	WSHR LK .675ID.777OD.031T,INT	1
10	004253	WSHR LK .204ID.410OD.025T EXT	6
11	005457	SCR MACH PAN HD 10-24X1.00L	4
12	055271	COVER,REAR—PLATE ALUM,18"EXT	1
13	002278	WSHR LK .262ID.489OD.062TSPLT	2
14	002248	SCR MACH RD HD .250-20X.750L	2
15	003458	NUT,SPEED,U—10-24,.44 X .62	4
16	004499	WSHR FLT .594ID1.12OD.063T STL	1
17	057580-11	TUBE,VINYL—.375X.625X10"R,BLK	1
18	002398	SCR MACH PAN HD 8-32X.250L	1
19	004252	WSHR LK .176ID.381OD.023T EXT	1
20	034734	WDMT,BRACE—CHASSIS,18"EXTR	1
21	005373	WSHR FLT .281ID.625OD.062T STL	2
22	002278	WSHR LK .262ID.489OD.062TSPLT	2
23	002253	SCR CAP HEX HD .250-20X.750L	2
24	052016	ELBOW,PP-HS—1/4 MPTX3/8HS,BRS	2

DET.	PART NO.	DESCRIPTION	QUANT.
25	049445	HOSE,VAC—1.50DIA,15.25L,BLACK	1
26	046688	CLAMP,HOSE—1.75 MAX DIA,WORM	2
27	002248	SCR MACH RD HD .250-20X.750L	2
28	003429	NUT,SPEED,U—.250-20,.58X1.125	2
29	055109	BRKT,VAC MTR—ALUM	1
30	046309	SPACER,PHEN—.250X.500,.500L	3
31	024331	MTR,VAC—115V,BYP,3 STG,TD	1
32	002454	SCR CAP HEX HD .250-20X1.50L	3
33	005479	NUT,HEX LOCK—.250-20,NYLOC,ZN	3
34	026017	VALVE,SOLENOID—115V.156ORI	1
35	039013	HOUSING,PLSTC—FOR 053133	1
36	055071	ELBOW,STREET—1/2MPT X 1/2FPT	2
37	051082	ADPTR,PP-HS—1/2FPTX3/8HS,BRS	2
38	057580-3	TUBE,VINYL—.375X.625X14"R,BLK	1
39	038982	SCREEN,FILTER—80MESH,FOR53133	1
40	039014	O-RING,FILTER—VITON,FOR 53133	1
41	038993	COVER,FILTER—IN-LINE STRAINER	1
42	055656	BRACKET,FILTER—18"EXTR	1
47	055663	SPACER,RBR—.500X.625X2.500L	2
44	056610	HOSE,BLK VINYL-1.5IDx40L	1
45	055989	CUFF,HOSE—1.5,BLACK	1
46	046651	GROM—.625ID,.875MHD,.062PA	1
48	057732	NIPPLE,HEX—.25MPTX.25MPT	1

AS 3133
= filter comp

BASE ASSEMBLY



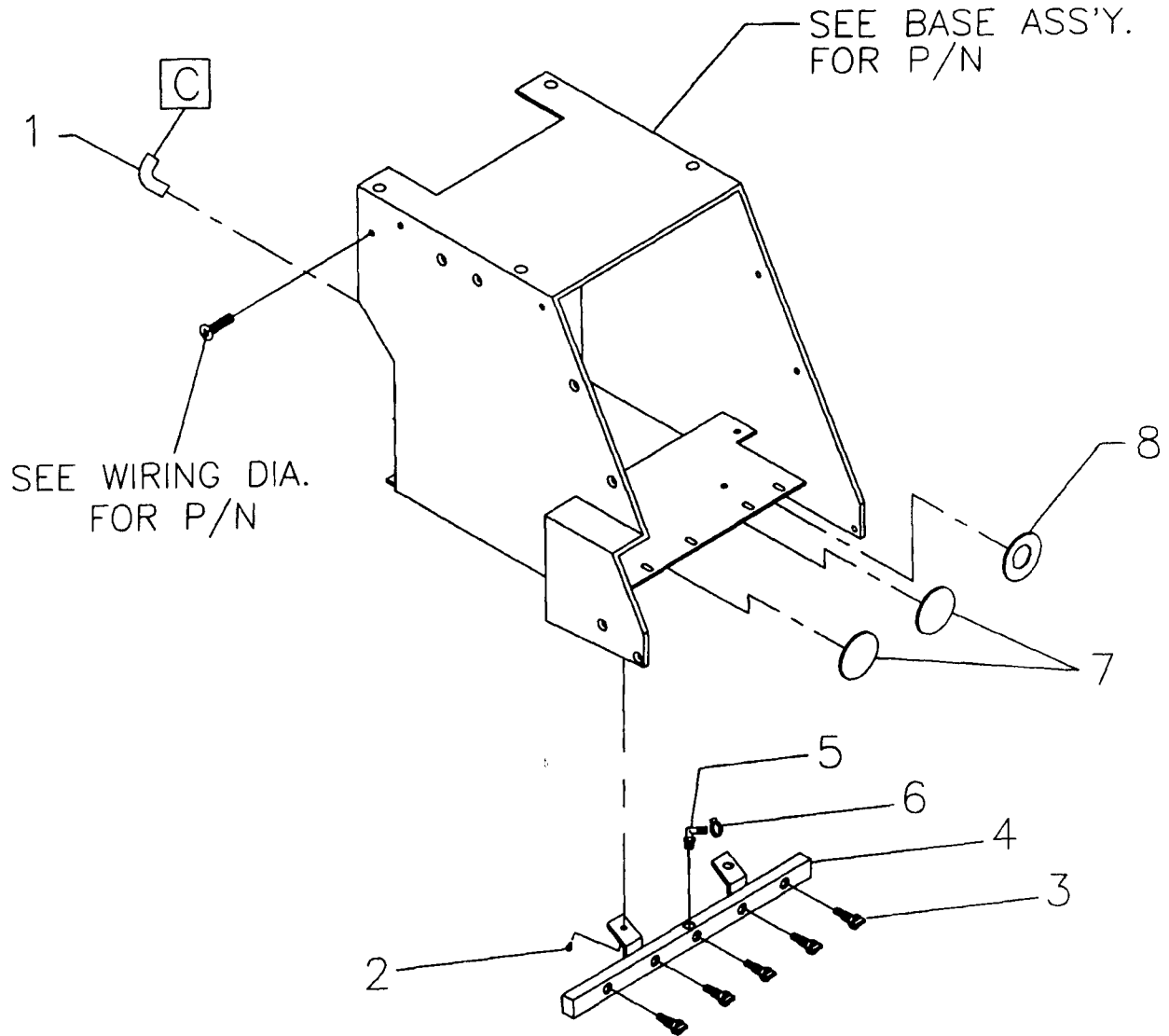
TM-1778

BASE ASSEMBLY PARTS LIST

DET.	PART NO.	DESCRIPTION	QUANT.
1	055245	BELT,V—6V'S,17.00" PITCH LG	1
2	002408	PIN,ROLL—.125 DIA, .750L	1
3	054011	PULLEY,GRVD—6GRV,1.000PD,EX	1
4	034648	WDMT,PLATE W/NUT	1
5	034649	WDMT,TAKEUP—MOTOR BASE	1
6	003249	SCR CAP HEX HD .312-18X1.25L	1
7	025873	MTR,AC—115/60,.33HP,MODIF	1
8	057580-11	TUBE,VINYL—.375X.625X10"R,BLK	2
9	051581	CLAMP,HOSE—.625 MAX DIA,WORM	2
10	006117	ELBOW,PP-HS—3/8 MPTX3/8HS,NYL	2
11	003429	NUT,SPEED,U—250-20,.58X1.125	6
12	005612	NUT,SELF-RETAINING—.250-20	1
13	024394	PUMP,WATER—100PSI,115V,SHRFLO	1
14	001276	SCR SET CUP PT 10-24X.250L	2
15	052204-1	CAP,HUB—PLSTC,GRAY,3.19BC	2
16	005200	PIN,COTTER—.125X1.000 LONG	2
17	004238	WSHR FLT .531ID1.00OD.071T STL	2
18	052893-2	WHEEL—GRAY/BLK,MACH,8.00OD	2
19	055252	RD,STL—.500 DIA,13.728L	2
20	002252	SCR MACH FLAT HD .250-20X.750L	6
21	046688	CLAMP,HOSE—1.75 MAX DIA,WORM	1
22	005316	SCR TPG F PAN HD 10-24X.375L	10
23	003442	SCR MACH FLAT HD 10-24 X .625L	6
24	055243	PLATE,STL—VAC CHAMBER,18"	1
25	055261	NOSE,PIECE—KX-180SC,SS	1
26	004773	ASM,CASTING—18"EXTRACTOR	1
27	057705	LABEL,IDENT—SELECTRAC 18,EXTR	2
28	055249-1	BASE,MACH—18"EXTR,GRAY	1
29	055390	WSHR FLT—#10 SCREW,RHIOCAPLUG	4
30	002206	SCR MACH RD HD 10-24X1.00L	4
31	057003	CAPLUG,PLSTC—BLACK	4
32	005511	SCR MACH FLAT HD 10-24X.5LSS	4
33	005449	WSHR SPR TNSN .531ID.880OD.030	2
34	002253	SCR CAP HEX HD .250-20X.750L	2
35	002278	WSHR LK .262ID.489OD.062TSPLT	2
36	005373	WSHR FLT .281ID.625OD.062T STL	2
37	034735	WDMT,BASE—HOUSING,ALUM,18"	1
38	003453	NUT,SELF-RETAINING—10-24	4
40	002256	SCR CAP HEX HD .250-20X1.00L	4
41	002371	SCR TPG F PAN HD 10-24X.625L	1
42	055244	PANEL,FRONT—11GASTL,18"EXTR	1
43	005480	NUT,HEX LOCK—10-24,NYLOC	1
44	049282	CLAMP,LOOP—1.812 DIA,STL	1
45	051714	CAP,ELEC—CAPACITOR,MACHINED	1
46	028798	CAPACITOR	1
47	055862	CAP,BOTTOM—SPLASH GUARD,EXTR	1
48	055075	BRACKET,STL—2.31X2.15X5.75	1
49	001289	SCR MACH RD HD 10-24X.500L	1

* #26, 24, 23, 22, Vac Assy, w/sracent PN = 034724
to replace PN 034773

NOZZLE ASSEMBLY

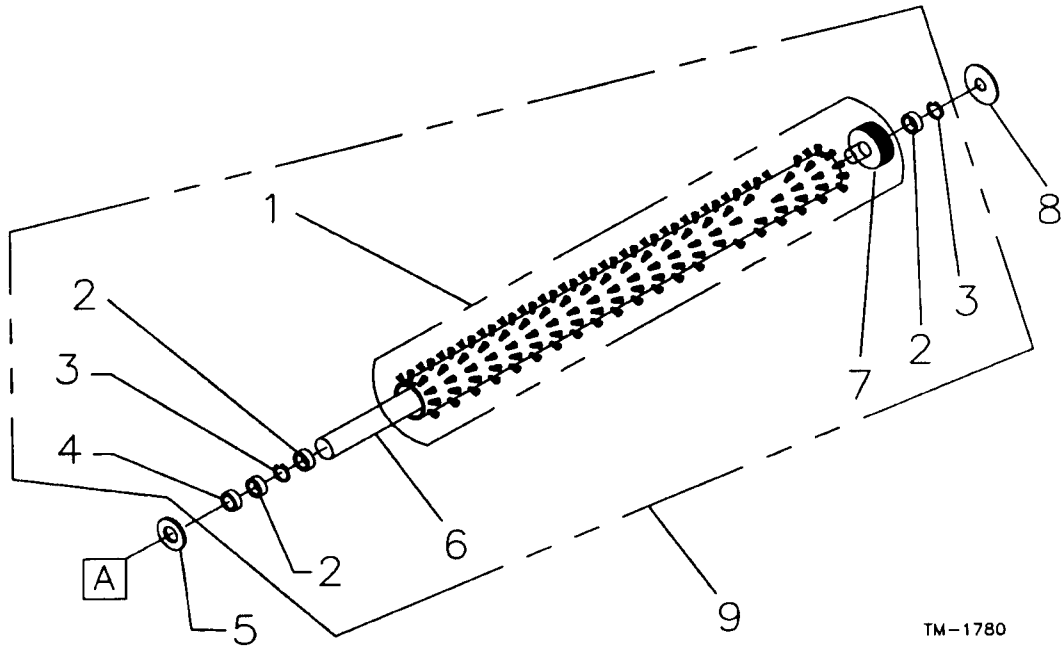


TM-1806

DET.	PART NO.	DESCRIPTION	QUANT.
1	055723	TUBE,VINYL—.375X.625,27.00L,R	1
2	002371	SCR TPG F PAN HD 10-24X.625L	2
3	056098	NOZZLE,SPRAY—110DEG,TIP REMOV	5
4	034247	WDMT,TUBE—SOLUTION,1.0X1.0,15	1
5	052016	ELBOW,PP-HS—1/4 MPTX3/8HS,BRS	1
6	051581	CLAMP,HOSE—.625 MAX DIA,WORM	1
7	055721	PLUG,DOME—.562DIA,BLK PLSTC	2
8	052338	GROM—.621ID,.75MHD,.125PA	1

TM-1806A

CARPET AGITATOR ASSEMBLY

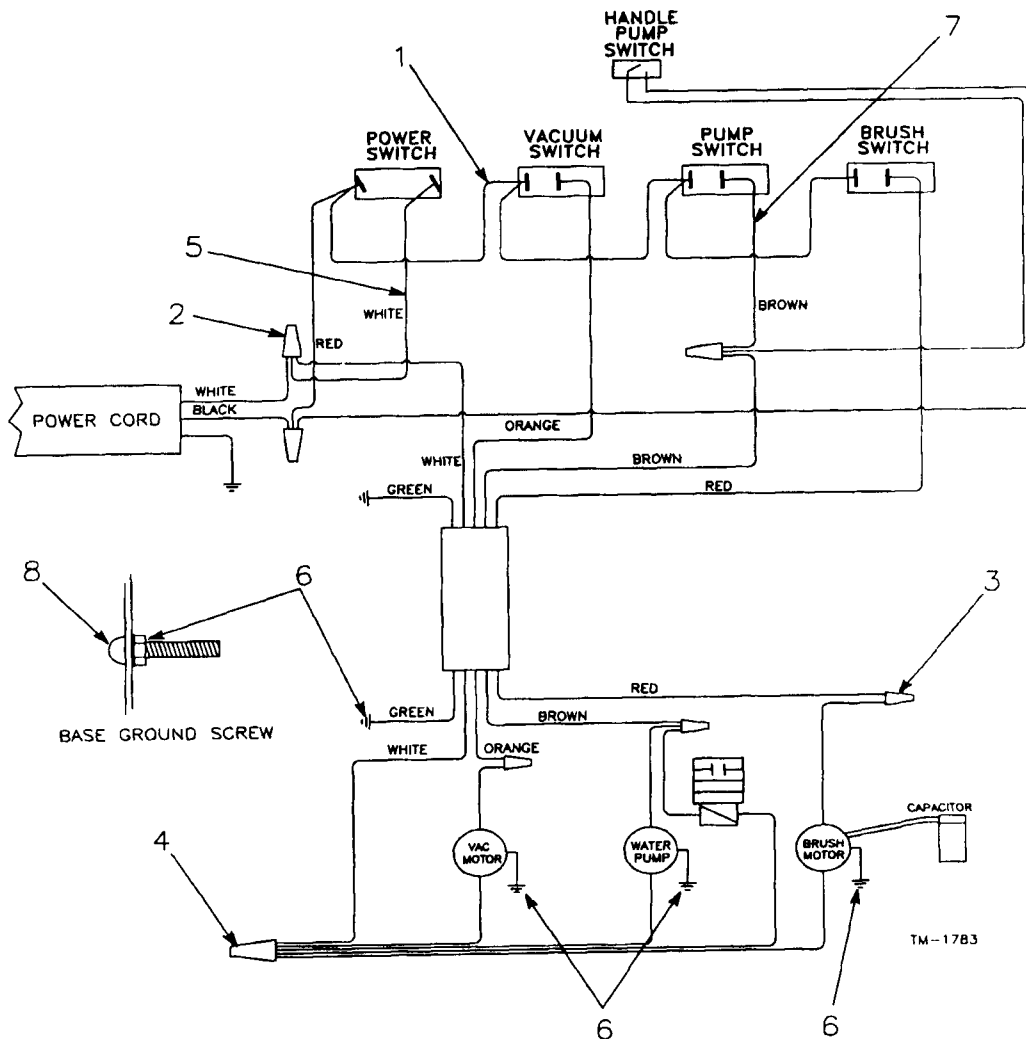


TM-1780

DET.	PART NO.	DESCRIPTION	QUANT.
1	055259	BRUSH,CYL—2.25OD X 18.015L	1
2	027197	BRG,BALL—.375ID, .875OD,.281W	3
3	051846	RING,RTNG—EXT,.375 SHAFT,STL	2
4	054730	SEAL,GREASE—.875 OD X.375 ID	1
5	111625	WSHR FLT .500ID1.500D.062T NYL	1
6	055258	AXLE,BRUSH—.375ODX18.429	1
7	054799	PULLEY—BRUSH DRIVE,1.25OD,6GR	1
8	055578	GUARD,THREAD—2.25 BRUSH	1
9	034729	ASM,BRUSH—CYL,2.25ODX18.429	1

TM-1780A

WIRING DIAGRAM



TM-1783

DET.	PART NO.	DESCRIPTION	QUANT.
1	025935	ASM,WIRE-14GA,RED,4 CNDCT,QD	1
2	026464	NUT,WIRE-IDEAL 73B	3
3	026683	NUT,WIRE-IDEAL 72B	3
4	026400	NUT,WIRE-IDEAL 74B	1
5	027058	ASM,WIRE-16GA,WHT,6.0L.,250QD	1
6	001519	NUT,KEPS- 10-24,ZN PLT	5
7	025934	ASM,WIRE-16GA,BRN,6.00L,QD	1
8	002208	SCR MACH RD HD 10-24X1.25L	1

THE KENT LIMITED WARRANTY

Your Kent equipment which has been manufactured, tested, and inspected in accordance with carefully specified engineering requirements, is warranted to be free from defects in material and workmanship. This warranty is, however, subject to the following qualifications, conditions, and limitations which are set forth to provide you and all users of the equipment with information concerning the duration, extent, availability, and applicability of the Kent limited warranty, the procedure to be taken to obtain its performance, and other information concerning the Kent warranty policy.

The Kent Limited Warranty is extended to the original end user as follows

All Kent cord electric machines with the exception of upright and two motor upright vacuums have a three year warranty on parts, and one year labor coverage. Upright and two motor upright vacuums have a one year parts and labor warranty (except the Duravac 15 which has a two year parts one year labor warranty). Motor and gear unit assemblies on 175 RPM Floor Machines carry a warranty of five years. Poly components carry a ten year replacement warranty with one year service labor. This warranty will not cover damage attributable to the following:

- : Improper, unreasonable or negligent use or abuse of the equipment.
- : Use of the equipment with hot water (over 120 deg. F , 49 deg. C).
- : "Warpage", "Creepage", or "Distortion" of the part so long as the same does not interfere with normal operation.
- : Abrasions or punctures of the equipment.

The start date of the warranty coverage shall be the date the machine was shipped from the factory, or with proof of purchase, the purchase date of the original end user. The start date of the warranty shall not exceed one year from the ship date from the factory.

Parts of Kent Equipment not covered by the Kent Limited Warranty

Certain parts of Kent Equipment require replacement in the ordinary course of use due to normal wear by reason of their characteristics. These are normal wear items such as cords, squeegee blades, belts, gaskets, bumpers, carbon brushes, filters, hoses, bags, padholders, brushes, etc.

Exceptions and Exclusions from Warranty

This equipment is required to be used on electric current as indicated on the dataplate. Otherwise damage, defects, malfunctions or other failures of the equipment arising from the use on electric current not as indicated are excepted and excluded from this warranty. Defects, malfunctions, failure, or damage of the equipment caused by improper care, unreasonable or negligent use or abuse of the equipment are likewise excluded from this warranty. If repair is done to the equipment by anyone other than those designated as authorized to perform such work without having obtained factory authorization in writing, the Kent Company at its sole option, may determine that this warranty will not apply and that reimbursement for such repair will not be made because of the failure to comply with such factory instructions.

Procedure to be taken to obtain performance of warranty repair

To secure repair of the equipment or any warranted parts under this warranty, the following procedure must be taken. The inoperative equipment or warranted parts together with satisfactory evidence of the purchase date, must be delivered, with shipping and delivery charges prepaid, to one of the following:

- : The dealer from whom purchased.
- : Any Kent distributor's service department in the United States.
- : Any Kent authorized service station in the United States.

If you are unable to locate any of the foregoing, you may write or otherwise communicate with The Kent Company for instructions before repair service is performed by anyone else. In such event, The Kent Company will provide either the location of a Kent authorized service department or other factory instructions. In the event that no local service department is available, Kent at its discretion will repair or replace the part or equipment at the factory, the products will be returned to the owner freight prepaid. No warranty will be honored without proof of purchase, the model number, and serial number if applicable.

Replacement

In the event of a defect, malfunction, or failure of your Kent equipment or any warranted part to conform with this warranty, The Kent Company may, at its sole option and own expense, replace the equipment or any warranted part with another new identical or reasonably equivalent model or part in lieu of repairing the defect.

No refund of purchase price

The Kent Company will not, as a matter of its warranty policy, refund the customer's purchase price.

Warranty registration

Your Kent Company distributor from whom you purchased your equipment is responsible for the registration of your warranty with the factory. We ask that you cooperate with your distributor in supplying the necessary information on the warranty card so that we may better serve you. Any information or questions that you may have concerning your Kent equipment or this warranty may likewise be secured from the factory. This warranty gives you specific legal rights, and you may also have other rights which vary from state to state.



The Kent Company
2310 Industrial Parkway
PO Box 1665
Elkhart, IN 46515 U.S.A.
Telephone: (800) 334-1083
(219) 293-8661
Fax: (219) 295-8610

083251P-1 11-97 USK