



Electronic Service Manuals

This electronic document is provided as a service to our customers. We do not create the contents of the information contained in this document. Should you have detailed questions pertaining to the information contained in this document, you may contact Michco, or the manufacturer which provided the original information in this electronic deliverable. Michco's only part in this electronic deliverable was the electronic assembly process.

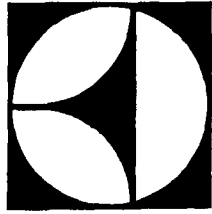
You may contact Michco through the following methods:
Phone (517) 484-9312 or (800) 331-3339 MI, OH, IN only
2011 N. High St. -- Lansing, Michigan -- 48906
Fax: (517) 484-9836
Email: CustServ@Michco.com
Web site: www.Michco.Com
Parts Web site: www.FloorMachineParts.Com

Order Parts on Line at:
www.FloorMachineParts.Com

Directly to Parts & Service:
By Email: **Shop@Michco.com**
By Fax: (517) 702-2041
By Voice: Use numbers above.

Serving the Cleaning Industry Since 1922

Notice: All copyrighted material remains property of original owners, all trademarks are property of respective owners. Manuals are subject to Manufacturer's reproduction limitations. Originals or reproductions were provided by manufacturers through a request. We make no warranty as to the correctness of information provided in this document and you assume all risk.



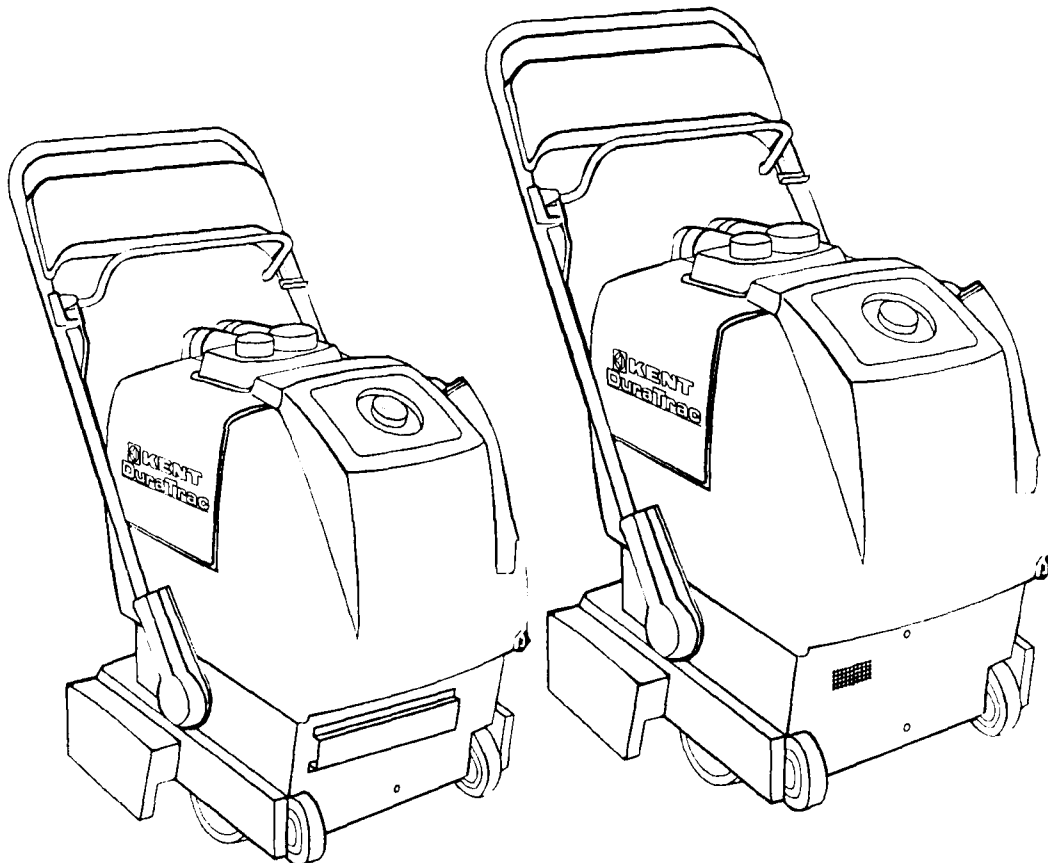
KENT

OWNER'S MANUAL

OPERATION • CARE • SERVICE

CARPET EXTRACTORS

DuraTrac™
KX-15SC & KX-19SC
KX-15SCA & KX-19SCA
115 & 230 VOLT



June 1995
083339

THE KENT COMPANY • 2310 INDUSTRIAL PARKWAY • P.O. BOX 1665 • ELKHART, IN 46515, U.S.A.
TEL: (219)293-8661 • (800)334-1083 • FAX: (219)295-8610 • TELEX: 25-8331 KENT CO EKR

TABLE OF CONTENTS

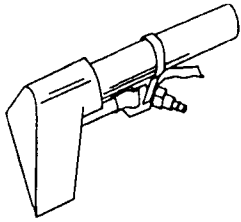
MACHINE SPECIFICATIONS	2
OPTIONAL ACCESSORIES	3
SERVICE INFORMATION	3
IMPORTANT SAFETY INSTRUCTIONS	3
GROUNDING INSTRUCTIONS	4
UNPACKING AND SET UP	5
OPERATION	5
ADJUSTMENTS	5
FEATURES	6
CONTROLS	7
SOLUTION	7
BELT CLIP	8
CARPET EXTRACTION	8
CLEAN UP AND STORAGE	8
CORD STORAGE	8
MAINTENANCE	8
RECOMMENDED SPARE PARTS	9
KX-15SC & KX-19SC	
KX-15SC & KX-19SC SKIRT ASSEMBLY	10
KX-15SC & KX-19SC HANDLE ASSEMBLY	11
KX-15SC HANDLE ASSEMBLY PARTS LIST	12
KX-19SC HANDLE ASSEMBLY PARTS LIST	12
KX-15SC TANK ASSEMBLY	13
KX-15SC TANK ASSEMBLY PARTS LIST	14
KX-15SC BASE ASSEMBLY	15
KX-15SC BASE ASSEMBLY PARTS LIST	16
KX-19SC TANK ASSEMBLY	17
KX-19SC TANK ASSEMBLY PARTS LIST	18
KX-19SC BASE ASSEMBLY	19
KX-19SC BASE ASSEMBLY PARTS LIST	20
WIRING DIAGRAM	21
HYDRAULIC DIAGRAM	21
WATER PUMP DIAGRAM	22
KX-15SCA & KX-19SCA	
KX-15SCA & KX-19SCA SKIRT ASSEMBLY	23
KX-15SCA & KX-19SCA HANDLE ASSEMBLY	24
KX-15SCA HANDLE ASSEMBLY PARTS LIST	25
KX-19SCA HANDLE ASSEMBLY PARTS LIST	25
KX-15SCA TANK ASSEMBLY	26
KX-15SCA TANK ASSEMBLY PARTS LIST	27
KX-15SCA BASE ASSEMBLY	28
KX-15SCA BASE ASSEMBLY PARTS LIST	29
KX-19SCA TANK ASSEMBLY	30
KX-19SCA TANK ASSEMBLY PARTS LIST	31
KX-19SCA BASE ASSEMBLY	32
KX-19SCA BASE ASSEMBLY PARTS LIST	33
WIRING DIAGRAM	34
HYDRAULIC DIAGRAM	34
WATER PUMP DIAGRAM	35
NOTES	36
TROUBLE SHOOTING GUIDE	37
TROUBLE SHOOTING GUIDE (continued)	38

MACHINE SPECIFICATIONS

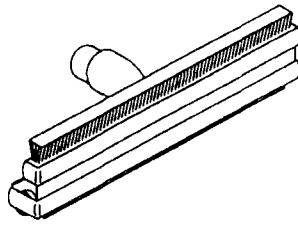
Model Number	KX-15SC	KX-15SC	KX-19SC	KX-19SC
Operating Voltage	115/1/60	230/1/50	115/1/60	230/1/50
Brush Motor	1/3 hp @ 1725 rpm	1/3 hp @ 1425 rpm	1/3 hp @ 1725 rpm	1/3 hp @ 1425 rpm
Vacuum Motor	1.8 php, 2-stage, bp	1.8 php, 2-stage, bp	2.8 php, 3-stage, bp	2.8 php, 3-stage, bp
Lift H2O (in/cm)	87" sealed/221 cm	94.1" sealed/239 cm	117" sealed/297 cm	138" sealed/350 cm
Brush Drive	Multi-v6 belt	Multi-v6 belt	Multi-v6 belt	Multi-v6 belt
Brush Dia. (in/cm)	2.25"/5.72 cm	2.25"/5.72 cm	2.25"/5.72 cm	2.25"/5.72 cm
Brush RPM	1208 rpm	998 rpm	1208 rpm	998 rpm
Brush Length (in/cm)	13.47"/34.2 cm	13.47"/34.2 cm	17.47"/44.4 cm	17.47"/44.4 cm
Pickup Nozzle Opening	15.0"/38.1 cm	15.0"/38.1 cm	19.0"/48.3 cm	19.0"/48.3 cm
Pump Pressure (psi/bar)	60 psi/4.1 bar	60 psi/4.1 bar	100 psi/6.9 bar	100 psi/6.9 bar
Pump Flow Rate				
Theoretical (gpm/lpm)	1.40 gpm/5.32 lpm	1.25 gpm/4.75 lpm	1.45 gpm/5.51 lpm	1.31 gpm/4.98 lpm
Actual (gpm/lpm)	0.49 gpm/1.86 lpm	0.42 gpm/1.60 lpm	1.00 gpm/3.80 lpm	0.86 gpm/3.27 lpm
Spray Nozzles	Three(3), 110°	Three(3), 110°	Four(4), 110°	Four(4), 110°
Pump Design	Self-priming, demand	Self-priming, demand	Self-priming, demand	Self-priming, demand
Solution Tank Cap. (gal/l)	7.0 gal./26.5 l	7.0 gal./26.5 l	11.0 gal./41.6 l	11.0 gal./41.6 l
Recovery Tank Cap. (gal/l)	8.0 gal./30.2 l	8.0 gal./30.2 l	11.0 gal./41.6 l	11.0 gal./41.6 l
Wheels (in/cm)	Two 8" od/20.3 cm	Two 8" od/20.3 cm	Two 8" od/20.3 cm	Two 8" od/20.3 cm
Power Cord (ft/m)	50 ft, 14-3 SJT (15.2 m)	50 ft, 14-3 SJT (15.2 m)	50 ft, 14-3 SJT (15.2 m)	50 ft, 14-3 SJT (15.2 m)
Length (in/cm)	26.0"/66.0 cm	26.0"/66.0 cm	26.0"/66.0 cm	26.0"/66.0 cm
Width @ Offset (in/cm)	17.0"/43.2 cm	17.0"/43.2 cm	21.5"/54.6 cm	21.5"/54.6 cm
Height (in/cm)	49.5"/125.7 cm	49.5"/125.7 cm	49.5"/125.7 cm	49.5"/125.7 cm
Machine Weight (lbs./kg)	109 lbs./49.5 kg	109 lbs./49.5 kg	118 lbs./53.8 kg	118 lbs./53.8 kg

Model Number	KX-15SCA	KX-15SCA	KX-19SCA	KX-19SCA
Operating Voltage	115/1/60	230/1/50	115/1/60	230/1/50
Brush Motor	1/3 hp @ 1725 rpm	1/3 hp @ 1425 rpm	1/3 hp @ 1725 rpm	1/3 hp @ 1425 rpm
Vacuum Motor	1.8 php, 2-stage, bp	1.8 php, 2-stage, bp	2.8 php, 3-stage, bp	2.8 php, 3-stage, bp
Lift H2O (in/cm)	87" sealed/221 cm	94.1" sealed/239 cm	117" sealed/297 cm	138" sealed/350 cm
Brush Drive	Multi-v6 belt	Multi-v6 belt	Multi-v6 belt	Multi-v6 belt
Brush Dia. (in/cm)	2.25"/5.72 cm	2.25"/5.72 cm	2.25"/5.72 cm	2.25"/5.72 cm
Brush RPM	1208 rpm	998 rpm	1208 rpm	998 rpm
Brush Length (in/cm)	13.47"/34.2 cm	13.47"/34.2 cm	17.47"/44.4 cm	17.47"/44.4 cm
Pickup Nozzle Opening	15.0"/38.1 cm	15.0"/38.1 cm	19.0"/48.3 cm	19.0"/48.3 cm
Pump Pressure (psi/bar)	60 psi/4.1 bar	60 psi/4.1 bar	100 psi/6.9 bar	100 psi/6.9 bar
Pump Flow Rate				
Theoretical (gpm/lpm)	1.40 gpm/5.32 lpm	1.25 gpm/4.75 lpm	1.45 gpm/5.51 lpm	1.31 gpm/4.98 lpm
Actual (gpm/lpm)	0.49 gpm/1.86 lpm	0.42 gpm/1.60 lpm	1.00 gpm/3.80 lpm	0.86 gpm/3.27 lpm
Spray Nozzles	Three(3), 110°	Three(3), 110°	Four(4), 110°	Four(4), 110°
Pump Design	Self-priming, demand	Self-priming, demand	Self-priming, demand	Self-priming, demand
Solution Tank Cap. (gal/l)	7.0 gal./26.5 l	7.0 gal./26.5 l	11.0 gal./41.6 l	11.0 gal./41.6 l
Recovery Tank Cap. (gal/l)	8.0 gal./30.2 l	8.0 gal./30.2 l	11.0 gal./41.6 l	11.0 gal./41.6 l
Wheels (in/cm)	Two 8" od/20.3 cm	Two 8" od/20.3 cm	Two 8" od/20.3 cm	Two 8" od/20.3 cm
Power Cord (ft/m)	50 ft, 14-3 SJT (15.2 m)	50 ft, 14-3 SJT (15.2 m)	50 ft, 14-3 SJT (15.2 m)	50 ft, 14-3 SJT (15.2 m)
Length (in/cm)	26.0"/66.0 cm	26.0"/66.0 cm	26.0"/66.0 cm	26.0"/66.0 cm
Width @ Offset (in/cm)	17.0"/43.2 cm	17.0"/43.2 cm	21.5"/54.6 cm	21.5"/54.6 cm
Height (in/cm)	46.5"/118.1 cm	46.5"/118.1 cm	46.5"/118.1 cm	46.5"/118.1 cm
Machine Weight (lbs./kg)	109 lbs./49.5 kg	109 lbs./49.5 kg	118 lbs./53.8 kg	118 lbs./53.8 kg

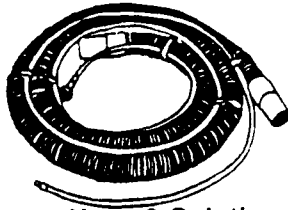
OPTIONAL ACCESSORIES



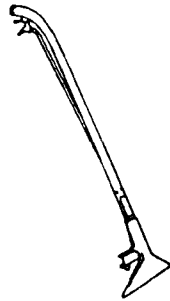
Hand Tool
P/N: 034911



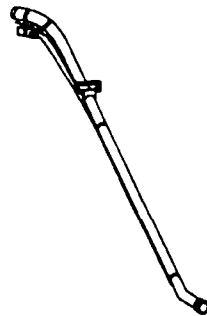
Combo Hard Floor Tool
P/N: 035368



Vacuum Hose & Solution Line.
P/N: 33389- 10 ft., 33224- 15 ft., 34109- 20 ft.



12" Manual Wand. P/N: 033391



Spray Wand with Handle. P/N: 035369

For a complete list of all extractor accessories and to order, contact your local Kent equipment dealer or the dealer from which the carpet extractor was purchased.

SERVICE INFORMATION

To obtain consistent performance over the life of your Kent equipment, read through these instructions and save them for future reference. If you require service, contact the dealer from which the carpet extractor was purchased or an authorized service station. Always refer to your limited warranty for complete service information.

THE KENT CO.
ELKHART, INDIANA U.S.A.

SERIAL NO.		MODEL	
VOLTS		PHASE	Hz.
MOTOR 1	AMP.	H.P.	
MOTOR 2	AMP.	H.P.	

The model, type, and serial number are indicated on the data plate located on the frame on the opposite side of the vacuum shoe. For prompt and complete service, refer to these numbers when inquiring about service.

Write the model and serial number of your unit in the space provided. Refer to the rating plate on unit.

MODEL # **SERIAL #**
Retain this owner's manual for future reference.

IMPORTANT SAFETY INSTRUCTIONS

When using an electrical appliance, basic precautions should always be followed, including the following:

READ ALL INSTRUCTIONS BEFORE USING THIS CARPET EXTRACTOR

WARNING

TO REDUCE THE RISK OF FIRE, ELECTRIC SHOCK, OR INJURY:

- Do not leave the carpet extractor when plugged in. Turn off all switches and unplug the electrical cord when not in use and before servicing.
- Do not allow the carpet extractor to be used as a toy. Close attention is necessary when used by or near children.
- Use only as described in this manual. Use only manufacturer's recommended attachments.
- Do not use with a damaged cord or plug. If the carpet extractor is not working as it should, has been dropped, damaged, or left outdoors, return it to a service center before using.
- Do not close a door on the cord or pull the cord around sharp edges or corners. Do not run the carpet extractor over the cord. Keep the cord away from heated surfaces.

- Connect the carpet extractor to a properly grounded outlet ONLY (refer to GROUNDING INSTRUCTIONS).
- Do not use extension cords or outlets with inadequate current carrying capacity.
- Turn off all controls before unplugging.
- To unplug the cord, grasp the plug, not the cord.
- Do not handle the plug or the carpet extractor with wet hands.
- Hold the plug when rewinding the cord onto a cord reel. Do not allow the plug to whip when rewinding.
- Wind the cord no tighter than necessary to retain it.
- Do not put any object into any of the openings in the carpet extractor. Do not use the carpet extractor with any opening blocked; keep free of dust, lint, hair, and anything that may reduce airflow.
- This carpet extractor creates suction and contains a revolving brush roll. Keep hair, loose clothing, fingers, and all other parts of the body away from openings and moving parts.
- Do not pick up anything that is burning or smoking, such as cigarettes, matches, or hot ashes.
- Belt pulleys can become hot during normal use. To prevent burns, avoid touching the belt pulley when servicing the drive belt.
- Use extra care when cleaning on stairs.
- Do not use to pick up flammable or combustible liquids such as gasoline, or use in areas where they may be present.
- Do not use in areas where flammable and/or explosive vapor or dust is present to avoid the possibility of fire or explosion. Some cleaning fluids can produce such vapors.
- Store your carpet extractor indoors in a cool, dry area. Do not expose carpet extractor to freezing temperatures.
- Keep your work area well lighted.

Do not allow an overflow of water or foam to enter the vacuum tube in the recovery tank. If water or foam in the recovery tank should overflow into the vacuum tube, immediately shut off the vacuum motor and pull the power cord plug from the wall.

**SAVE THESE
INSTRUCTIONS**

GROUNDING INSTRUCTIONS

DO NOT USE IN CANADA!

BEFORE YOU PLUG IN YOUR CARPET EXTRACTOR:

Check the data plate located on the frame on the opposite side of the vacuum shoe to see if the rating voltage agrees within 10% of the voltage available.

This appliance must be grounded. If it should malfunction or break down, grounding provides a path of least resistance for electric current to reduce the risk of electric shock. This appliance is equipped with a cord having an equipment grounding conductor and grounding plug. The plug must be plugged into an appropriate outlet that is properly installed and grounded in accordance with all local codes and ordinances.

DANGER

Improper connection of an equipment grounding conductor can result in risk of electric shock. Check with a qualified electrician or service person if you are in doubt as to whether the outlet is properly grounded. Do not modify the plug provided with the appliance. If it will not fit the outlet, have a proper outlet installed by a qualified technician. This appliance is for use on a nominal 120 volt circuit and has a grounding plug that looks like the plug illustrated in Figure 1. A temporary adapter which looks like the adapter illustrated in Figure 2 may be used to connect this plug to a two pole receptacle, as shown, if a properly grounded outlet is not available. The temporary adapter should be used only until a properly grounded outlet (Figure 1) can be installed by a qualified electrician. The green colored rigid ear, lug, or the like extending from the adapter must be connected to a permanent ground such as a properly grounded outlet box cover. Whenever the adapter is used, it must be held in place by a metal screw (Figure 2).

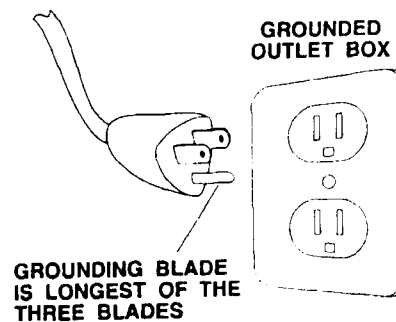
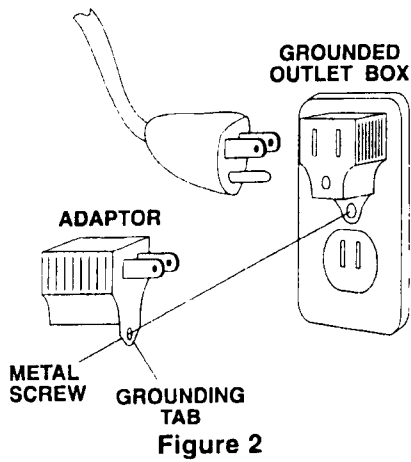


Figure 1



UNPACKING AND SET UP

Carefully inspect all components to insure that there is no concealed freight damage. If such damage is discovered, file a Damage Report immediately with the delivering carrier.

OPERATION

ADJUSTMENTS

HANDLE ADJUSTMENT

For comfort and convenience, the handle can rotate at a full 180° at approximately 9° increments. Simply by pulling the rotation lever, Figure 3, the handle can pivot to any comfortable level, Figure 4.



Figure 3

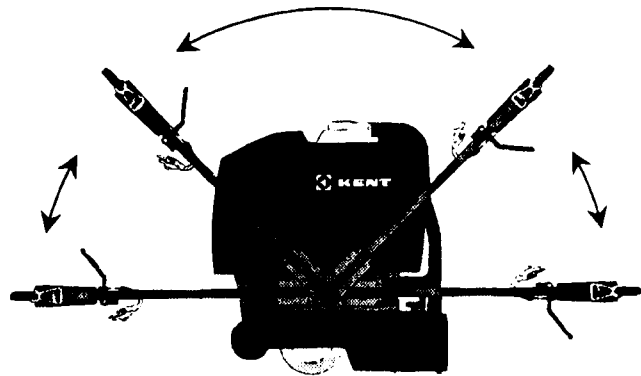


Figure 4

WARNING: BEFORE ADJUSTING THE BELT, DISCONNECT THE POWER CORD FROM THE ELECTRICAL OUTLET.

BELT ADJUSTMENT

To adjust the belt, start by removing the recovery tank, preferably after emptying its contents, Figure 5. Next, after emptying the solution tank, remove the two nuts that lock the solution tank to the lower frame. For more information on emptying the solution tank, see "SOLUTION". The two nuts can be located underneath the edge of the solution tank at the end opposite of its hinge. Once the nuts are removed, you can now lift the solution tank, pivoting it on its hinge, to reveal the extractor's mechanics, Figure 6. To gain access to the motor mounts, you must remove the lower skirt by removing the two screws shown in Figure 7.



Figure 5

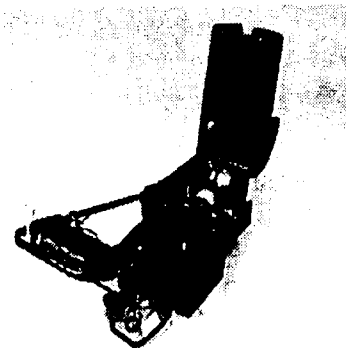
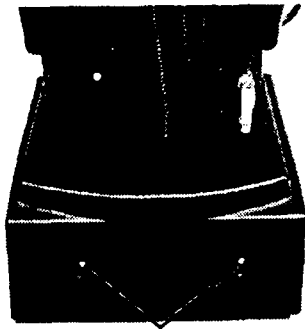


Figure 6



SCREWS
Figure 7

Once the two screws are removed, remove the vacuum hose and pull the skirt forward spreading the rear sides apart until the skirt becomes free. Now you're ready to loosen the four motor mount bolts by giving them no more than two or three turns. To keep the desired distance between the pulley and the frame wall, wedge a screwdriver between the pulley and the side of the frame wall while you're adjusting the motor mount, Figure 8. Now you're ready to adjust the belt. Turn the adjustment screw, located in Figure 8, clockwise to tighten and counterclockwise to loosen.

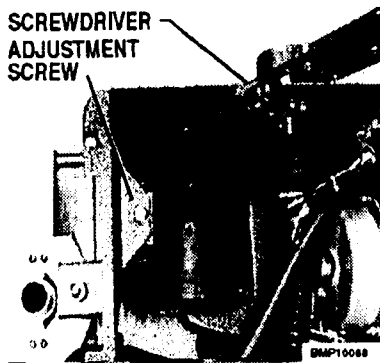


Figure 8

Once adjusted, tighten the four motor mount screws, remove the wedged screwdriver, and replace the lower skirt by sliding it on while spreading the rear sides apart until the skirt locks in place. Replace the two screws in the front of the skirt. After replacing the two screws in skirt, you're now ready to lower the solution tank and lock it in place with the two nuts.

WARNING, DO NOT FORGET TO LOCK THE SOLUTION TANK DOWN WITH THE ORIGINAL TWO NUTS!

Now you're ready to replace the recovery tank and continue cleaning.

BRUSH PRESSURE ADJUSTMENT

The brush pressure knob, Figure 9, is located on the top of the lower skirt at the same end as the vacuum shoe. To add brush pressure, turn the knob clockwise as shown on the knob. NOTE: Adding too much pressure may pull out carpet fiber or overload the brush motor. If the brush motor overloads, the circuit breaker, located

on the control panel, will trip. This means you've added too much pressure. To reduce brush pressure, turn the knob counterclockwise also as shown on the knob.

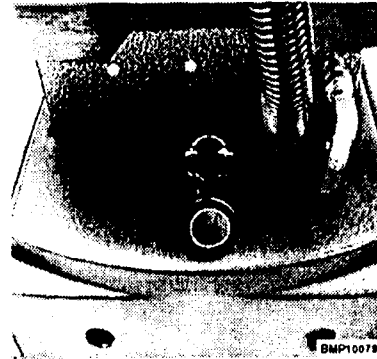


Figure 9

FEATURES

Your carpet extractor features a recovery drain hose, a solution drain valve, Figure 10, and a filter located inside the solution tank, Figure 15. Your carpet extractor is also equipped with an accessory inlet, Figure 11, for the optional accessories: Carpet Wand, Hand Tool, and Vacuum Hose & Solution Line. To use an accessory, simply connect the optional solution line into the accessory inlet and connect the optional vacuum hose into the vacuum port of the clear lid. For information on ordering any of these accessories, refer to "OPTIONAL ACCESSORIES".

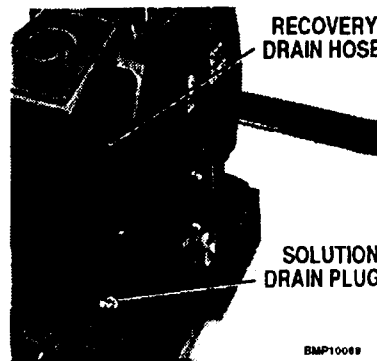


Figure 10



Figure 11

CONTROLS

VACUUM SWITCH

The vacuum switch, Figure 12, turns the vacuum motor on. The recovery tank will instantly operate under vacuum and the floor nozzle will be ready to pick up (extract) the dirty solution. For operation, the recovery tank's drain hose must be connected to the hose plug, Figure 13, and the tank's clear lid in position, Figure 14.

PUMP SWITCH

The pump switch, Figure 12, turns the solution pump on. The pump will draw filtered solution, from the solution tank, to the nozzles located beneath the frame. The nozzles distribute the solution evenly over the carpet. Water temperature in the solution tank must not exceed 130°F.

The KX15SCA & KX19SCA models use a combo maintained/momentary switch with a light. Pressing the rocker forward the light gives a maintained supply for continuous operation. Pressing the rocker away from the light is a momentary supply of water. The light is activated in either water supply operation.

BRUSH SWITCH

The brush switch, Figure 12, turns the brush on. The rotation of the brush may propel the carpet extractor, reducing the effort needed for operation. The self propelling feature may change with different carpets.

CIRCUIT BREAKER

The circuit breaker, Figure 12, will trip when there is an overload on the brush. Once tripped, stop cleaning, reduce brush pressure using the brush pressure knob, Figure 9, reset the circuit breaker, and begin cleaning again. If circuit breaker consistently trips with little or no brush pressure, unplug the carpet extractor from the electrical outlet and check the brush roll for possible lodged debris or carpet fiber.

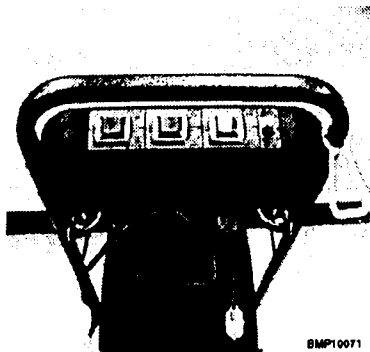


Figure 12



Figure 13



Figure 14

SOLUTION

ADDING SOLUTION

The solution tank is the bottom tank. The solution tank opening, where solution is added, can be found on the top of the highest section of the solution tank, Figure 14. Inside and directly below the solution tank lid, you will find the solution filter mounted to the bottom of the tank, Figure 15. Before each use, be sure that the filter is clear of debris. The filter will ensure that the water pump and spray nozzles will be kept free of clogging debris.



Figure 15

BEFORE ADDING SOLUTION, DISCONNECT THE POWER CORD FROM THE ELECTRICAL OUTLET.

To add solution, remove the solution tank lid and carefully pour the cleaning solution in. Fill to the bottom of the solution tank's neck, viewing down into the solution

tank's opening, Figure 15. Water temperature must not exceed 130°F. When using cleaning chemicals, be sure to use the correct dilution ratios.

USE NON-FOAMING CHEMICALS ONLY.

If water or foam in the recovery tank should overflow into the vacuum tube, immediately shut off the vacuum motor and pull the power cord plug from the wall. Water and foam should not be allowed to enter the vacuum tube leading to the vacuum motor. In normal use, however, condensation will build up on the lid at the entrance to the vacuum tube. If foaming occurs, use the anti-foaming chemical that is suggested for use with the cleaning chemical that you are using.

EMPTYING THE SOLUTION TANK

To empty the solution tank, simply pull the solution tank drain plug and begin draining, Figure 10. Be sure to empty the solution tank into a suitable water waste drain. After each use, rinse the solution tank with water to remove possible cleaning solution residue.

EMPTYING THE RECOVERY TANK

To empty the recovery tank, simply pull the recovery drain hose from the drain hose plug and begin draining, Figure 13. Be sure to empty the recovery tank into a suitable water waste drain. After each use, rinse the recovery tank with water to remove possible cleaning solution residue.

BELT CLIP

The belt clip, shown in Figure 16, prevents the cord from disconnecting itself from tension on the cord during normal use. To use, simply loop the cord through the belt clip and attach to the operator's belt.

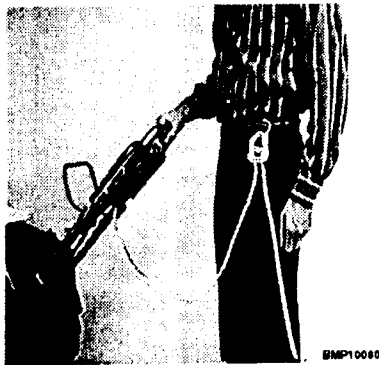


Figure 16

CARPET EXTRACTION

WITHOUT the carpet extractor's power cord plugged into an outlet, fill the solution tank to the bottom of the tank's neck, viewing down into the solution tank's opening, Figure 15. For more information on filling the solution tank, refer to "SOLUTION". Plug the power cord into a 115V outlet. Turn all switches on and begin cleaning. Overlap cleaning paths moving at a slow steady pace.

Once the recovery water/foam level appears to be touching the lowest portion of the recovery tube on the clear plastic lid, turn all switches off and empty the recovery tank into a suitable water waste drain. To empty the recovery tank, simply pull the recovery drain hose from the drain hose plug and begin draining, Figure 13.

CLEAN UP AND STORAGE

Unplug the carpet extractor from the electrical outlet when not in use. After each use, wipe the carpet extractor's exterior with a damp cloth and rinse both tanks. Store the carpet extractor in a cool dry place. To prevent the bending of the carpet extractor's brush bristles, store in the tilted position; this will take the weight off of the brush. DO NOT expose the carpet extractor to freezing temperatures either in storage or in transporting.

CORD STORAGE

The cord can be either wound in a circle or wound around the handle of the carpet extractor. Be sure to wind the cord no tighter than necessary to retain it.

MAINTENANCE

Before and after each use, check the vacuum opening, brush, and nozzles for lodged debris, Figure 17. Also before and after each use, be sure to clean the solution filter, Figure 15, from carpet fibers and dirt.

Once a week, run a mixture of vinegar and water, 8 ounces of vinegar for every gallon of water, through the carpet extractor. This will reduce the build up of residue from cleaning solutions.

WARNING--DO NOT USE VINEGAR SOLUTION ON CARPET.

Be sure to spray the vinegar solution through the nozzles into an appropriate tub or drain. When finished with the vinegar solution, run clean water through the extractor. Once the extractor has been rinsed with water, it's ready for use again.

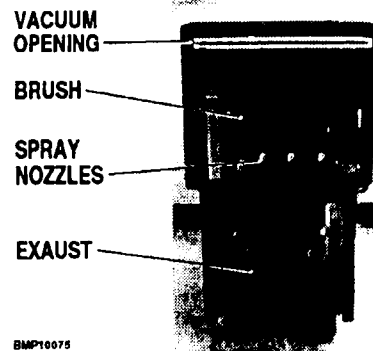


Figure 17

RECOMMENDED SPARE PARTS

Recommended spare parts should be ordered and stocked to avoid possible down time in case of failure, breakage, or normal wear.

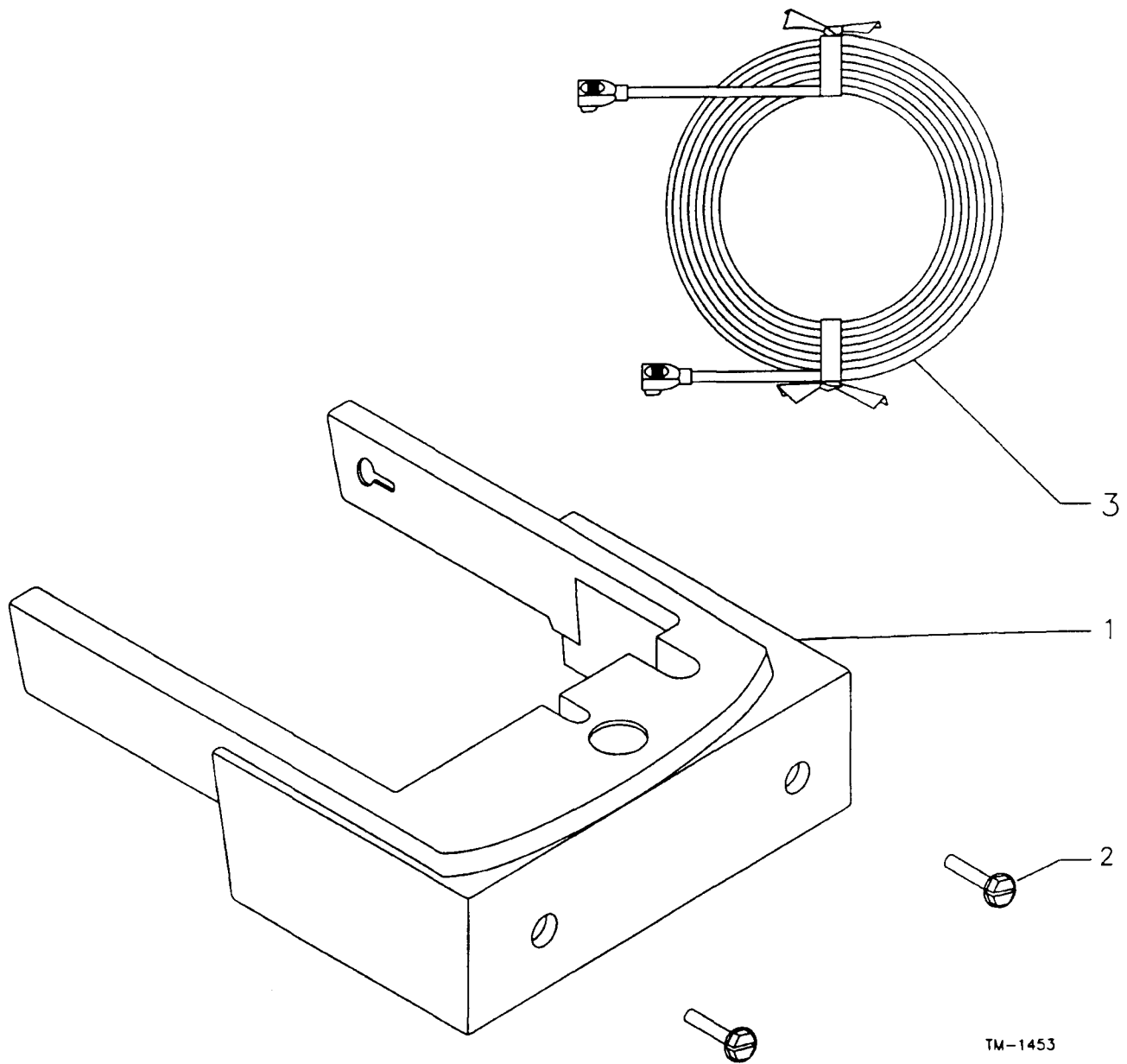
KX-15SC & KX-15SCA RECOMMENDED SPARE PARTS

1	056099	NOZZLE,TIP—110DEG,110015,REMV	4
2	035161	ASM,WTR PUMP—60PSI,115V,TERMS	1
2	035220	ASM,WTR PUMP—60PSI,240V,TERM	1
3	035152	ASM,BRUSH—2.25OD CYL,13.465L	1
4	027142	SWITCH,RKR—DPST,16A,125/250V	2
5	056544	BOOT,RUBBER—PRO FOR SW027142	3
6	026751	CIRCUIT BREAKER—10 AMPS	1
7	056546	BOOT,RUBBER—PRO FOR CB 027141	1
8	027151	CIRCUIT BREAKER—5AMPS,240V	1
9	056775	BOOT,RUBBER—PRO FOR CB 027151	1
10	055114	BELT,V—6V'S, 19.00 PITCH LG	1
11	027107	SWITCH,RKR,DPST,16A,125/250V,OFF	1

KX-19SC & KX-19SCA RECOMMENDED SPARE PARTS

1	056099	NOZZLE,TIP—110DEG,110015,REMV	4
2	035162	ASM,WTR PUMP—100PSI,115V,TERM	1
2	035218	ASM,WTR PUMP—100PSI,240V,TERM	1
3	035151	ASM,BRUSH—2.25OD CYL,17.465L	1
4	027142	SWITCH,RKR—DPST,16A,125/250V	2
5	056544	BOOT,RUBBER—PRO FOR SW027142	3
6	026751	CIRCUIT BREAKER—10 AMPS	1
7	056546	BOOT,RUBBER—PRO FOR CB 027141	1
8	027151	CIRCUIT BREAKER—5AMPS,240V	1
9	056775	BOOT,RUBBER—PRO FOR CB 027151	1
10	055114	BELT,V—6V'S, 19.00 PITCH LG	1
11	027107	SWITCH,RKR,DPST,16A,125/250V,OFF	1

KX-15SC & KX-19SC SKIRT ASSEMBLY



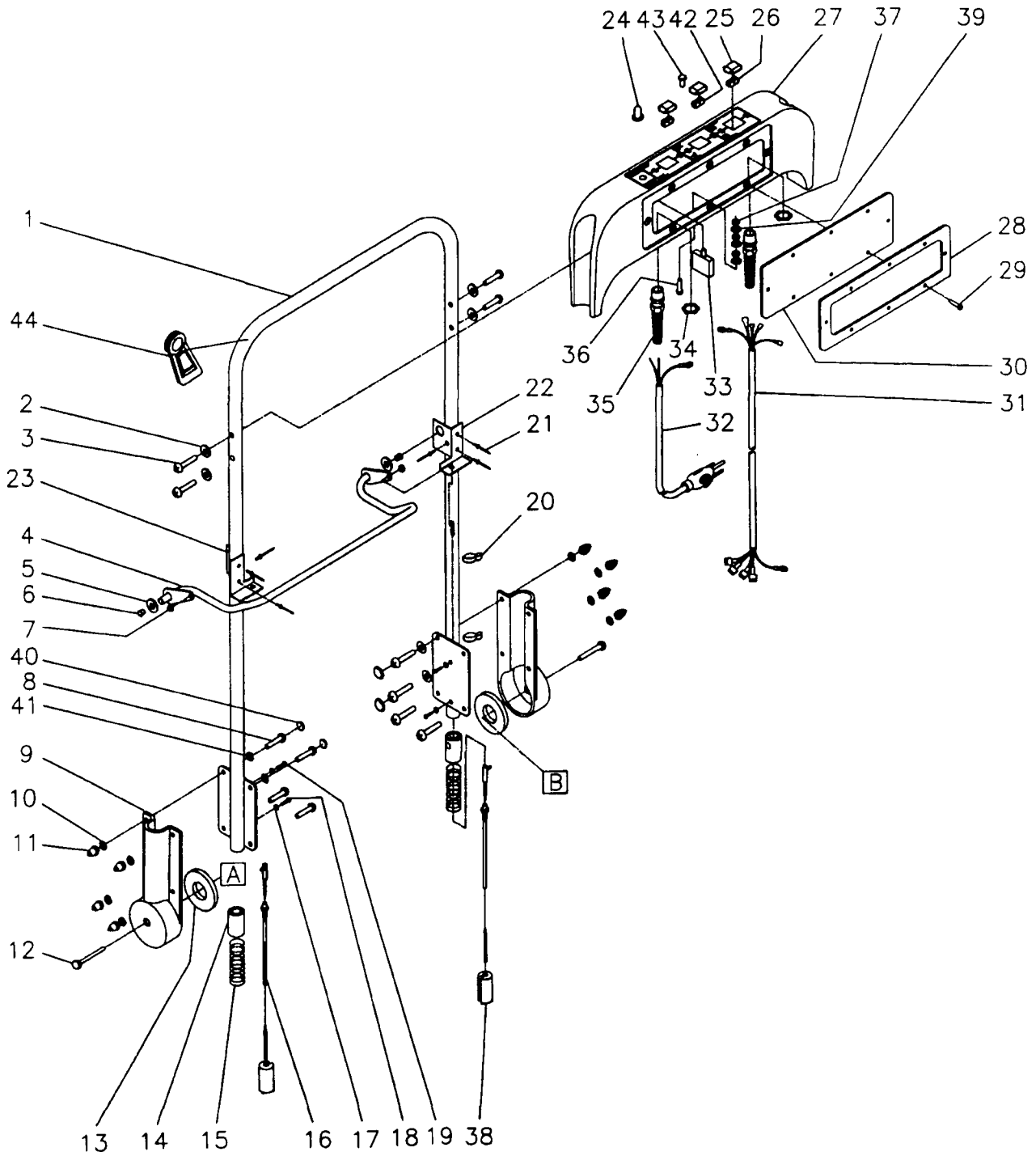
TM-1453

PARTS LIST

KX-15SC SKIRT PARTS LIST			
DET. PART NO.	DESCRIPTION	QUANT.	
1	056463 COVER—MACHINED	1	
2	005622 SCR TPG F HEX HD 10-24X.75,SS	2	
3	026015 CORD,POWER—14/3SJTWA,50FT.YEL	1	

KX-19SC SKIRT PARTS LIST			
DET. PART NO.	DESCRIPTION	QUANT.	
1	056526 COVER—MACHINED	1	
2	005622 SCR TPG F HEX HD 10-24X.75,SS	2	
3	026015 CORD,POWER—14/3SJTWA,50FT.YEL	1	

KX-15SC & KX-19SC HANDLE ASSEMBLY



KX-15SC HANDLE ASSEMBLY PARTS LIST

DET. PART NO.	DESCRIPTION	QUANT.	
1	035172	ASM,HANDLE—PAINTED,KX15SC	1
2	004538	WSHR LK .204ID.410OD.025T,EXTS	8
3	001450	SCR MACH PAN HD 10-32X1.12L	4
4	035182	WDMT,HANDLE LEVER&BRKT,KX15SC	1
5	056537	WSHR NYLON—MACHINED,EXTR	2
6	056662	PLUG,DOME—0.469DIA,NYLON,BLCK	2
7	003278	NUT,HEX— 10-32,ZN PLT	2
8	002357	SCR MACH PAN HD .250-20X.625L	8
9	056628	SOCKET,HANDLE—MACH & PAINTED	2
10	004536	WSHR LK .267ID.510OD.028T,SS	10
11	S50472	NUT,ACORN—.250-20,NI PLT,HC	8
12	005626	SCR CAP HEX HD .500-13X3.50L	2
13	056787	PLATE,SPACER—ABS,BLK,.096	1
14	056599	TUBE,STL—875OD,.250W,1.500L	2
15	056519	SPRING,COMP .645D 1.50L,.100WD	2
16	056605	CABLE,SS—.06DIA X26.0L W/BALLJ	2
17	004522	WSHR LK .176ID.831OD.023TEXTSS	2
18	001513	SCR MACH RD HD 8-32X.250L,SS	2
19	002478	SCR MACH RD HD .250-20X.375,SS	2
20	056612	CLIP, CORD--22 GA	2
21	004541	RIVET,POP—.187 DIA .125MAX,SS	6
22	056742	PLATE,STL—14GA,PAINTED,RH	1
23	056743	PLATE,STL—14GA,PAINTED,LH	1
24	056546	BOOT,RUBBER—PRO FOR CB 027141	1

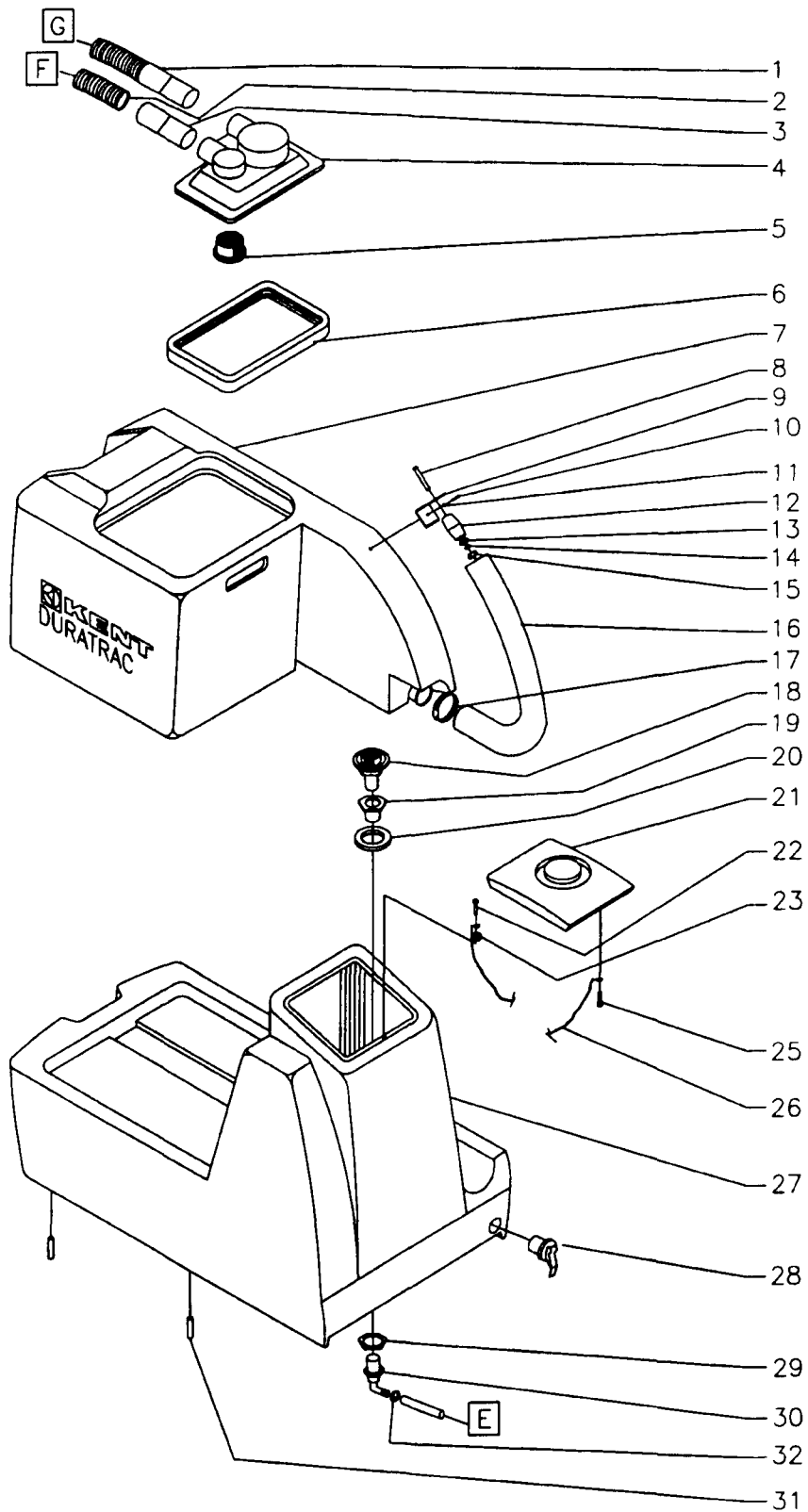
DET. PART NO.	DESCRIPTION	QUANT.	
24	056775	BOOT,RUBBER—PRO FOR CB 027151	1
25	056544	BOOT,RUBBER—PRO FOR SW027142	3
26	027142	SWITCH,RKR—DPST,16A,125/250V	2
27	056539	PANEL,CONTROL—MACH,KX15SC	1
28	056795	PLATE,STL—PANEL COVER,BLK	1
29	005609	SCR MACH PAN HD 10-32X.5,BLK	8
30	035146	ASM,GASKET & COVER—EXTR,PANEL	1
31	026013	CORD—16/5,68"YEL,TERMINALS	1
32	026011	CORD,POWER—14/3,2FT,YEL,TERMS	1
33	026751	CIRCUIT BREAKER—10AMP	1
33	027151	CIRCUIT BREAKER—5AMPS,VDE APP	1
34	006108	NUT,SPECIAL—.500 PIPE,HEX LOC	2
35	027003	BSHG,STRAIN RLF—.170-.470	2
36	001298	SCR MACH RD HD 10-24X.750L	1
37	003279	NUT,HEX— 10-24,ZN PLT	3
38	056614	PIN PLUNGER—EXTR HANDLE	2
39	004253	WSHR LK .204ID.410OD.025T EXT	3
40	057003	CAP PLUGS,PLSTC—BLACK	4
41	055399	WSHR FLT—1/4"SCR,RHIOCAPLUG	4
42	027107	SWITCH,RKR—DPDT,13A,125V,OFF	1
43	026110	LIGHT,INDICATOR—GREEN,240V	1
43	027158	LIGHT,INDICATOR—GREEN,120	1
44	056550	CLEAT,STRAIN RELIEF—EXTR'S	1

KX-19SC HANDLE ASSEMBLY PARTS LIST

DET. PART NO.	DESCRIPTION	QUANT.	
1	035173	ASM,HANDLE--PAINTED,KX-19SC	1
2	004538	WSHR LK .204ID.410OD.025T,EXTS	8
3	001450	SCR MACH PAN HD 10-32X1.12L	4
4	035186	WDMT,HANDLE LEVER & BRKT,KX19S	1
5	056537	WSHR NYLON--MACHINED,EXTR	2
6	056662	PLUG,DOME--0.469DIA,NYLON,BLCK	2
7	003278	NUT,HEX-- 10-32,ZN PLT	2
8	002357	SCR MACH PAN HD .250-20X.625L	8
9	056628	SOCKET,HANDLE--MACH & PAINTED	2
10	004536	WSHR LK .267ID.510OD.028T,SS	10
11	S50472	NUT,ACORN-- .250-20,NI PLT,HC	8
12	005626	SCR CAP HEX HD .500-13X3.50L	2
13	056787	PLATE,SPACER--ABS,BLK,.096	1
14	056599	TUBE,STL--.875OD,.250W,1.500L	2
15	056519	SPRING,COMP .645D 1.50L,.100WD	2
16	056605	CABLE,SS--.06DIA X26.0L W/BALLJ	2
17	004522	WSHR LK .176ID.831OD.023TEXTSS	2
18	001513	SCR MACH RD HD 8-32X.250L,SS	2
19	002478	SCR MACH RD HD .250-20X.375,SS	2
20	056612	CLIP, CORD--22 GA	2
21	004541	RIVET,POP--.187 DIA .125MAX,SS	6
22	056742	PLATE,STL--14GA,PAINTED,RH	1
23	056743	PLATE,STL--14GA,PAINTED,LH	1
24	056546	BOOT,RUBBER--PRO FOR CB 027141	1

DET. PART NO.	DESCRIPTION	QUANT.	
24	056775	BOOT,RUBBER--PRO FOR CB 027151	1
25	056544	BOOT,RUBBER--PRO FOR SW027142	3
26	027142	SWITCH,RKR--DPST,16A,125/250V	3
27	056538	PANEL,CONTROL--MACH,KX-19SC	1
28	056795	PLATE,STL--PANEL COVER,BLK	1
29	005609	SCR MACH PAN HD 10-32X.5,BLK	8
30	035146	ASM,GASKET & COVER--EXTR,PANEL	1
31	026013	CORD--16/5,68"YEL,TERMINALS	1
32	026011	CORD,POWER--14/3,2FT,YEL,TERMS	1
33	026751	CIRCUIT BREAKER--10AMP	1
33	027151	CIRCUIT BREAKER--5AMPS,VDE APP	1
34	006108	NUT,SPECIAL--.500 PIPE,HEX LOC	2
35	027003	BSHG,STRAIN RLF--.170-.470	2
36	001298	SCR MACH RD HD 10-24X.750L	1
37	003279	NUT,HEX-- 10-24,ZN PLT	3
38	056614	PIN PLUNGER--EXTR HANDLE	2
39	004253	WSHR LK .204ID.410OD.025T EXT	3
40	057003	CAP PLUGS,PLSTC--BLACK	4
41	055399	WSHR FLT--1/4"SCR,RHIOCAPLUG	4
42	027107	SWITCH,RKR--DPDT,13A,125V,OFF	1
43	026110	LIGHT,INDICATOR--GREEN,240V	1
43	027158	LIGHT,INDICATOR--GREEN,120	1
44	056550	CLEAT,STRAIN RELIEF--EXTR'S	1

KX-15SC TANK ASSEMBLY



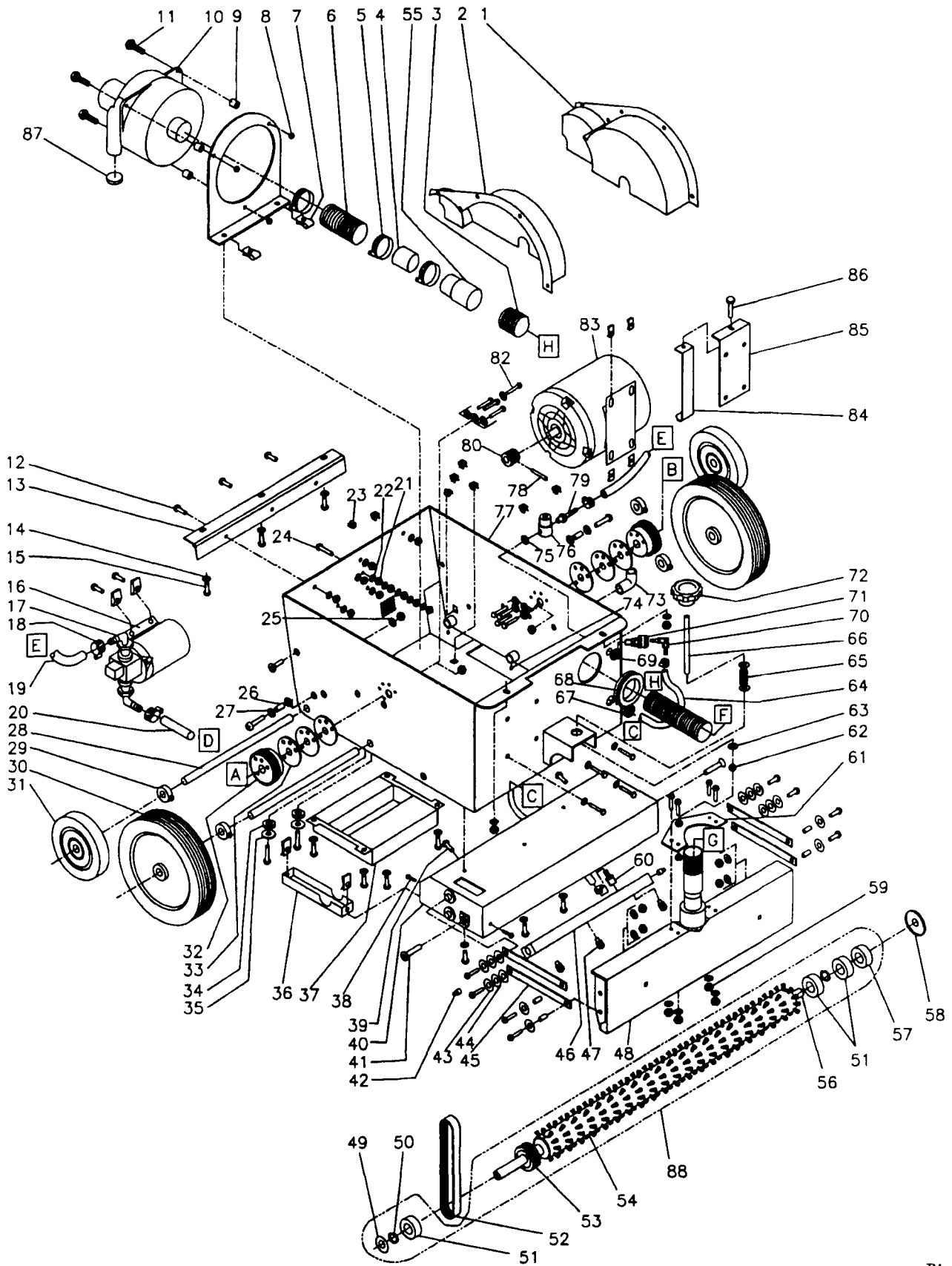
TM-1449

KX-15SC TANK ASSEMBLY PARTS LIST

DET.	PART NO.	DESCRIPTION	QUANT.
1	035164	ASM,1-1/2"HOSE W/2 CUFFS X 13	1
2	035233	ASM,HOSES W/CUFF & TUBING	1
3	055989	CUFF,HOSE--1.5,BLACK	1
4	035237	LID,TRANSPARENT--WARNING LABEL	1
5	056482	FILTER,CAP--VAC INTAKE,EXTR	1
6	056379	GASKET,FOAM--EXTR.RECOVERY	1
7	056530	RECVY TANK--MACHINED,KX-15SC	1
8	005625	SCR MACH PAN HD 10-24,2.50L,SS	1
9	056534	BRACKET,ALUM--.125,FORMED,EXTR	1
10	002459	SCR CAP HEX HD .250-20X.500LSS	1
11	004536	WSHR LK .267ID.510OD.028T,SS	1
12	056456	STOPPER,RUBBER--7/8DIA,EXTR	2
13	004531	WSHR FLT .281ID.625OD.080T,SS	1
15	003469	NUT,HEX LOCK-- 10-24,TPLK,SS	1
16	056533	TUBE,RUBBER--1.250DX1.01DX13.5	1

DET.	PART NO.	DESCRIPTION	QUANT.
17	049082	CLAMP,HOSE--1.50 MAX DIA,WORM	1
18	056598	STRAINER--100/30MESH,3/8 NPT	1
19	056488	FITTING,TANK--BR,KX15SC,KX19SC	1
20	048777	WSHR FLT .937ID1.37OD.094T NEO	1
21	056531	COVER,SOL TANK--MACHINED,EXTR	1
22	005511	SCR MACH FLAT HD 10-24X.50L,SS	1
23	003406	NUT,HEX-- 10-24,SS	1
25	002416	SCR TPG F PAN HD 10-B X.375L	1
26	056819	WIRE ROPE--.062DIA X 12.00L	1
27	056529	SOL TANK--MACHINED,KX-15SC	1
28	054583	PLUG,EXPANSION--.75DIA,SNAPTIE	1
29	052564	NUT,SPECIAL--FITTING,BRS,1-14T	1
30	006117	ELBOW,PP-HS--3/8 MPTX3/8HS,NYL	1
31	056520	ROD,STEEL--.250-20 X 1.125L	2
32	051581	CLAMP,HOSE--.625 MAX DIA,WORM	1

KX-15SC BASE ASSEMBLY

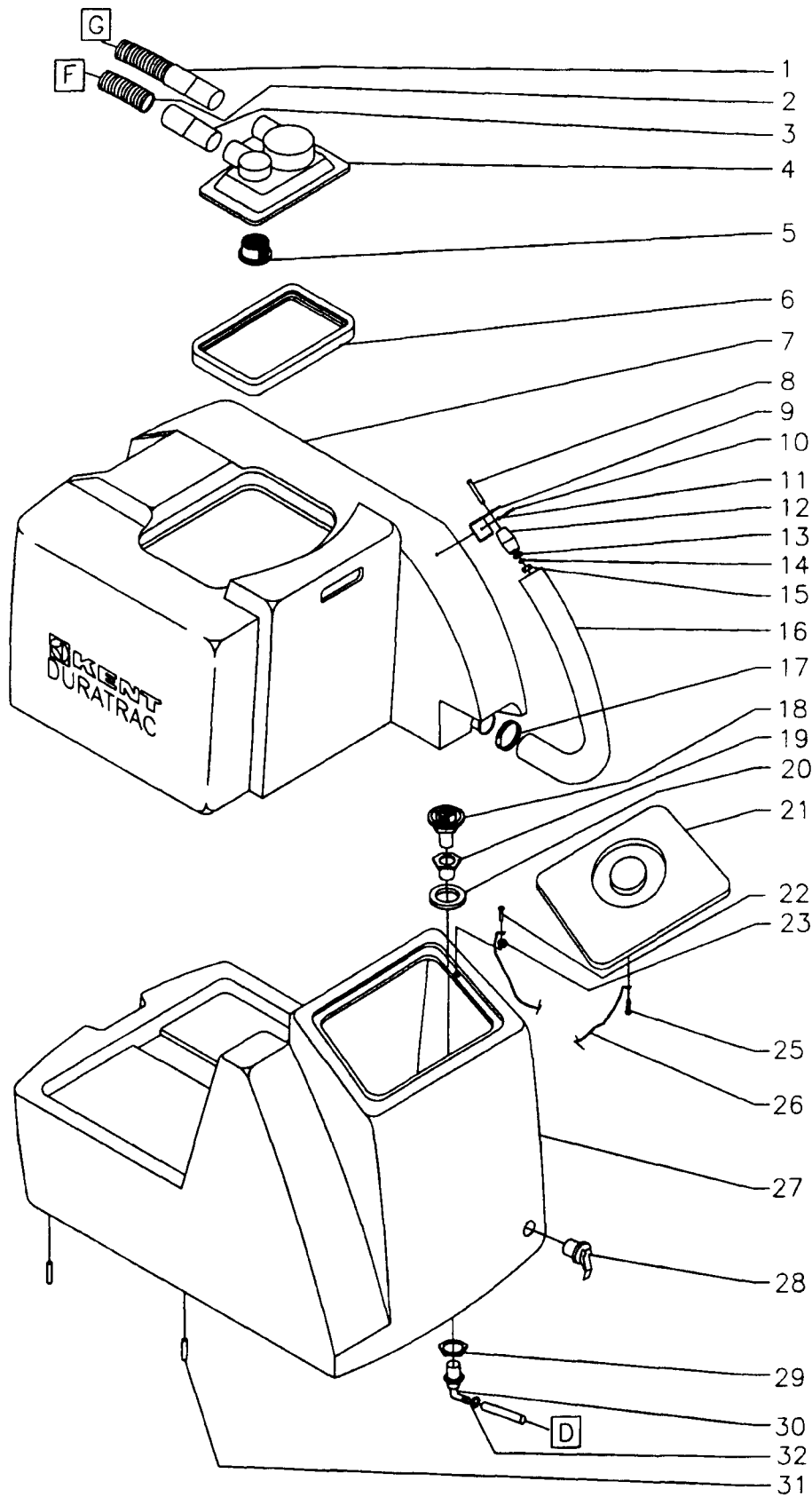


KX-15SC BASE ASSEMBLY PARTS LIST

DET. PART NO.	DESCRIPTION	QUANT.
1	056415 COVER,WHEEL—RIGHT SIDE,EXTR	1
2	056414 COVER,WHEEL—LEFT HAND,EXTR	1
3	056794 HOSE,VAC—1.50DIA,BLK,14.00L	1
5	046688 CLAMP,HOSE—1.75 MAX DIA,WORM	1
6	056796 HOSE,VINYL—1.5ID,12.0L,BLK	1
7	003429 NUT,SPEED,U—250-20,.58X1.125	8
8	005479 NUT,HEX LOCK—250-20,NYLOC,ZN	3
9	046309 SPACER,PHEN—250X.500,.500L	3
10	024214 MTR,VAC—115V,BYP,2 STG,DD	1
10	024341 MTR,VAC—240V,BYP,2STG,TD W/TB	1
11	002454 SCR CAP HEX HD .250-20X1.50L	1
12	001512 SCR MACH RD HD .250-20X.75L,SS	7
13	056557 HINGE,BUTT—125 X 12.50 LONG	1
14	004536 WSHR LK .267ID.510OD.028T,SS	18
15	005616 SCR MACH RD HD .250-20X.50L,SS	3
16	035161 ASM,WTR PUMP—60PSI,115V,TERMS	1
16	035220 ASM,WTR PUMP—60PSI,240V,TERM	1
17	006117 ELBOW,PP-HS—3/8 MPTX3/8HS,NYL	2
18	051581 CLAMP,HOSE—625 MAX DIA,WORM	5
19	055617 TUBE,VINYL—375X.625,9.00L,R	1
20	054146 TUBE,VINYL—375X.625,20.00L,R	1
21	003406 NUT,HEX—10-24,SS	15
22	004538 WSHR LK .204ID.410OD.025T,EXTS	5
23	005612 NUT,SELF-RETAINING—250-20	9
24	005615 SCR MACH RD HD 10-24X1.50L,SS	1
25	004535 WSHR FLT .203ID.562OD.045T,SS	10
26	056522 BSHG,SLV—277ID.375OD.263L,ST	6
27	005373 WSHR FLT .281ID.625OD.062T STL	4
28	056553 AXLE,WHEEL—500DX12.79,KX15SC	2
29	056933 PIPE,PLSTC—1/2" NOM X 9.50	1
30	052893 WHEEL—GRAY,5-RIB,8.00 O.D.	2
31	048058 WHEEL—5.00DIA,.504BORE,1.12HB	2
32	056073 017349 GEAR,40T—MACHINED,EXTR'S	2
33	056478 SPACER,GEAR—STL,KX15SC,KX19SC	8
34	056551 GROM—.313ID,.750MHD,.125GROVE	2
35	004513 WSHR FLT .281 ID.875OD.036T ZN	2
36	056772 BRACKET—20GA SPLASH GUARD	1
37	035158 ASM,EXHAUST MUFFLER—KX15SC	1
38	005621 SCR MACH RD HD 10-24 X .312,SS	2
39	002416 SCR TPG F PAN HD 10-B X.375L	2
40	035198 WDMT,EXTRACTOR HEAD—KX15SC	1
41	005511 SCR MACH FLAT HD 10-24X.50L,SS	12
42	056481 FITTING,PLUG—BRASS,1/8-27	2
43	005219 WSHR FLT .406ID1.000D.071T STL	8
44	004320 WSHR SPR TNSN .375ID.7500D.014	8
45	056521 BAR,STEEL—.625WX.187TX6.625L	4
46	056564 TUBE,SOLUTION—MACHINED,KX15SC	1

DET. PART NO.	DESCRIPTION	QUANT.
47	056098 NOZZLE,SPRAY—110DEG,TIP REMOV	3
48	056660 CASTING,VAC CHAMBER—MACH,KX15	1
49	055588 SPACER,SEAL—2.25DIA BRUSH	1
50	051846 RING,RTNG—EXT,.375 SHAFT,STL	2
51	027197 BRG,BALL—.375ID,.875OD,.281W	3
52	055114 BELT,V—6V'S, 19.00 PITCH LG	1
53	054799 PULLEY—BRUSH DRIVE,1.25OD,6GR	1
54	056559 BRUSH,CYL—2.25ODX13.465L	1
55	055989 CUFF,HOSE—1.5,BLACK	1
56	056552 AXLE,BRUSH—374ODX13.92L,KX15	1
57	054730 SEAL,GREASE—.875 OD X.375 ID	1
58	055578 GUARD,THREAD—2.25 BRUSH	1
59	222258 NUT,HEX—.250-20,SS	12
60	054292 ADAPTER—1/8NPTX.375 HOSE,BRS	1
61	035191 WDMT,LIFTING PLATE—11GA,SS	1
62	003464 NUT,HEX LOCK—375-16,18-8,SS	2
63	004539 WSHR FLT .406ID1.000D.071T,SS	3
64	052987 TUBE,VINYL—375X.625,18.00L,R	1
65	056483 SPRING,COMP .432D 1.50L.054WD	1
66	056444 STUD,CONT THD—.375-16X5.000L	1
67	055434 GROM—1.0ID,1.25MHD,.125PA	1
68	053901 GROM—1.93ID,2.43MHD,.125PA	1
69	004524 WSHR LK .675ID.777OD.031T,INT	1
70	034776 ASM,COUPLER & ADAPTER—EXTR	1
71	050815 COUPLING,QUICK DISCONNECT—BRS	1
72	056653 KNOB—PRES ADJ,MACH,EXTR	1
73	055384 BSHG,STRAIN RLF—HEYCO 1497	1
74	004352 PIN,LOCK—.125 DIA WIRE	2
75	004499 WSHR FLT .594ID1.12OD.063T STL	1
76	026017 VALVE,SOL—115V,.156ORI	1
76	026032 VALVE,SOL—230V,.156ORI	1
77	035196 WDMT,FRAME—KX15SC,KX15SCA,XTR	1
78	002408 PIN,ROLL—.125 DIA,.750L	1
79	052983 ADAPTER—1/4 NPT,.375 HOSE	1
80	056606 PULLEY,GROOVED—6GRV,ALUM,.875	1
82	002007 017349 SCR CAP SOC HD .250-20X1.50L	8
83	025998 MTR,AC—115/230,60,.33HP,1725	1
83	026020 MTR,AC—220/240,50,.33HP,1425	1
84	035134 WDMT,PLATE W/NUT—KX15SC,KX19S	1
85	035159 WDMT,TAKEUP—FRANKLIN MTR,EXTR	1
86	003249 SCR CAP HEX HD .312-18X1.25L	1
87	056565 GASKET,DISCHARGE—VAC MTR,KX15	1
88	035152 ASM,BRUSH—2.25OD CYL,13.465L	1
89	056934 PIPE,PLSTC—1/2" NOM X 8.125	1
90	003468 NUT,HEX LOCK—.250-20NYLOC,SS	8
91	002278 WSHR LK .262ID.489OD.062TSPLT	8

KX-19SC TANK ASSEMBLY



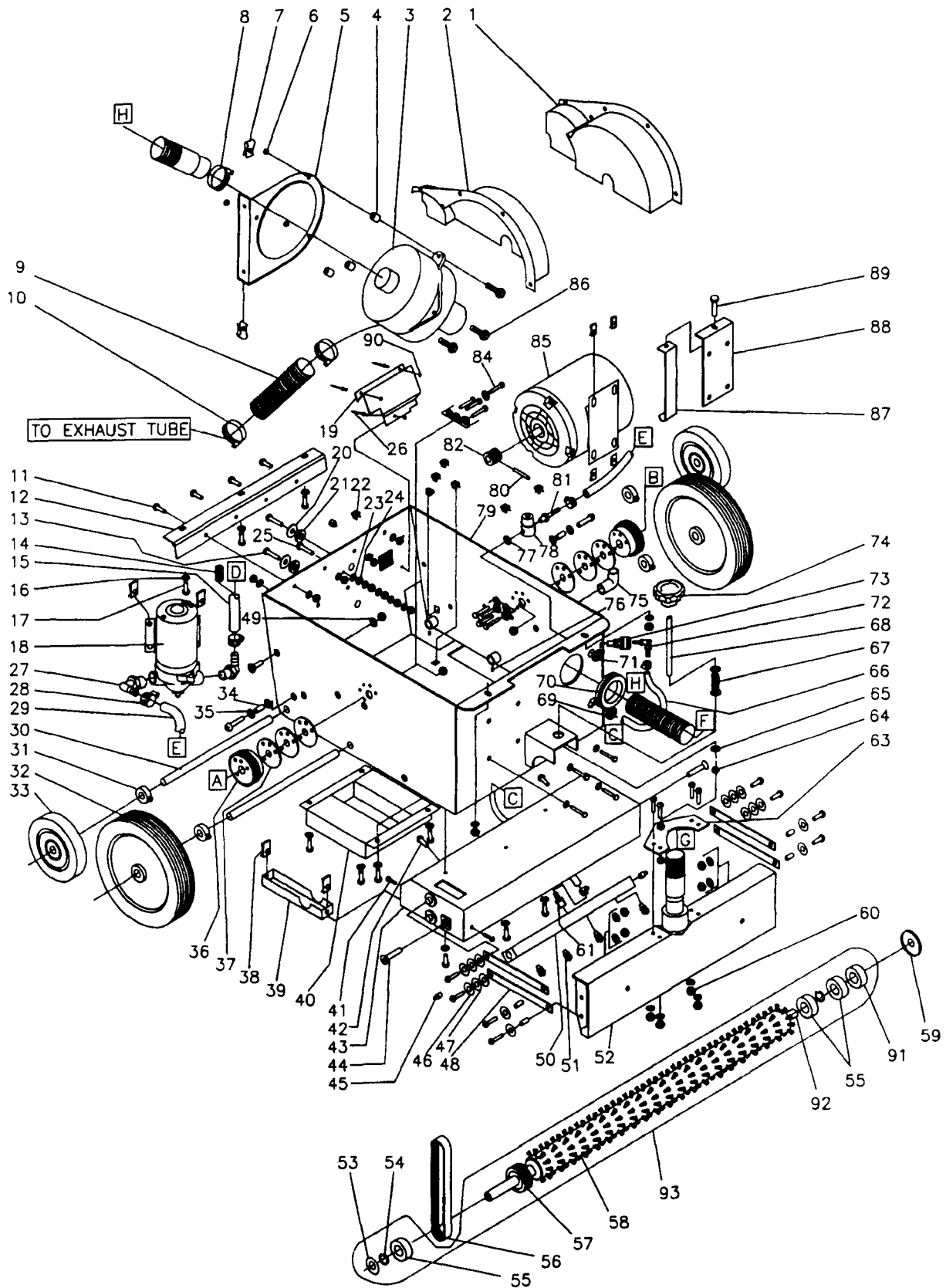
TM-1444

KX-19SC TANK ASSEMBLY PARTS LIST

DET. PART NO.	DESCRIPTION	QUANT.
1	035164 ASM,1-1/2"HOSE W/2 CUFFS X 13	1
2	035233 ASM,HOSES W/CUFF & TUBING	1
3	055989 CUFF,HOSE--1.5,BLACK	1
4	035237 LID,TRANSPARENT--WARNING LABEL	1
5	056482 FILTER,CAP--VAC INTAKE, EXTR	1
6	056379 GASKET,FOAM--EXTR.RECOVERY	1
7	056436 TANK,RECVY--MACHINED,KX-19SC	1
8	005625 SCR MACH PAN HD 10-24,2.50L,SS	1
9	056534 BRACKET,ALUM--.125,FORMED,EXTR	1
10	002459 SCR CAP HEX HD .250-20X.500LSS	1
11	004536 WSHR LK .267ID.510OD.028T,SS	1
12	056456 STOPPER,RUBBER--7/8DIA EXTR	2
13	004531 WSHR FLT .281ID.625OD.080T,SS	1
14	004538 WSHR LK .204ID.410OD.025T,EXTS	1
15	003469 NUT,HEX LOCK-- 10-24,TPLK,SS	1
16	056533 TUBE,RUBBER--1.250DX1.01DX13.5	1

DET. PART NO.	DESCRIPTION	QUANT.
17	049082 CLAMP,HOSE--1.50 MAX DIA,WORM	1
18	056598 STRAINER--100/30MESH,3/8 NPT	1
19	056488 FITTING,TANK--BR,KX15SC,KX19SC	1
20	048777 WSHR FLT .937ID1.37OD.094T NEO	1
21	056531 COVER,SOL TANK--MACHINED,EXTR	1
22	005511 SCR MACH FLAT HD 10-24X.50L,SS	1
23	003406 NUT,HEX-- 10-24,SS	1
25	002416 SCR TPG F PAN HD 10-B X.375L	1
26	056819 WIRE ROPE--.062DIA X 12.00L	1
27	056437 SOL TANK--MACHINED,KX-19SC	1
28	054583 PLUG,EXPANSION--.75DIA,SNAPTIE	1
29	052564 NUT,SPECIAL--FITTING,BRS,1-14T	1
30	006117 ELBOW,PP-HS--3/8 MPTX3/8HS,NYL	1
31	056520 ROD,STEEL--.250-20 X 1.125L	2
32	051581 CLAMP,HOSE--.625 MAX DIA,WORM	1

KX-19SC BASE ASSEMBLY



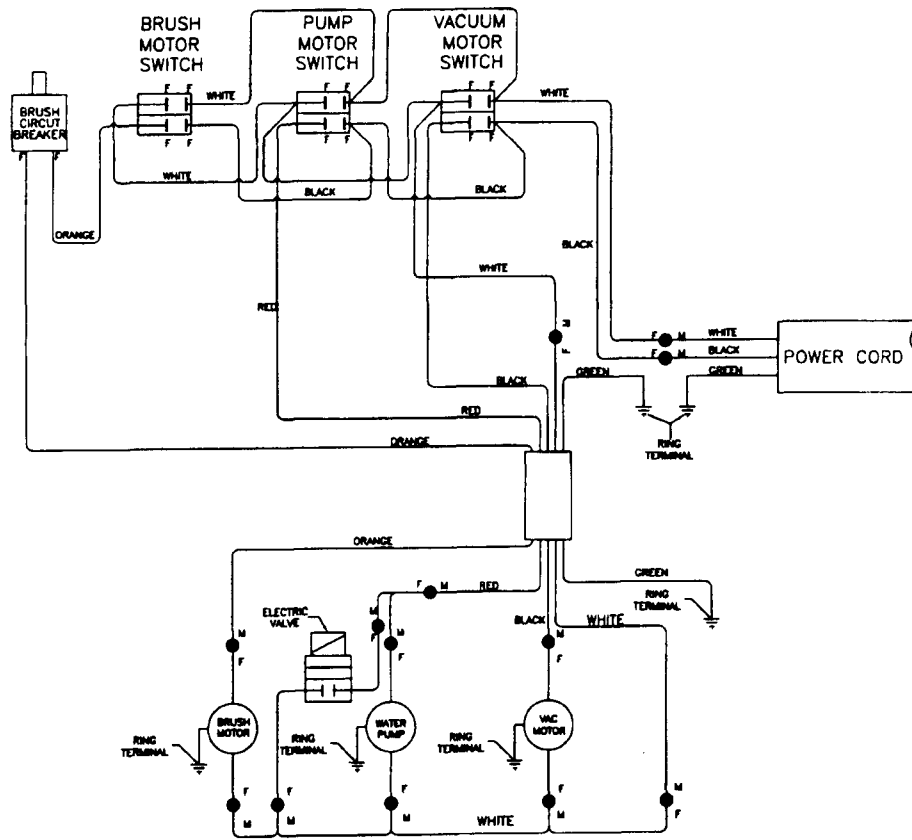
KX-19SC BASE ASSEMBLY PARTS LIST

DET.	PART NO.	DESCRIPTION	QUANT.
1	056415	COVER,WHEEL—RIGHT SIDE,EXTR	1
2	056414	COVER,WHEEL—LEFT HAND,EXTR	1
3	024331	MTR,VAC—115V,BYP,3 STG,TD	1
3	026022	MTR,VAC—240V/3STG BP,TD	1
4	046309	SPACER,PHEN—.250X.500,.500L	3
5	056581	BRKT,ALUM—11GA,VAC MTR,KX19SC	1
6	005479	NUT,HEX LOCK—.250-20,NYLOC,ZN	3
7	003429	NUT,SPEED,U—.250-20,.58X1.125	8
8	046688	CLAMP,HOSE—1.75 MAX DIA,WORM	1
9	052881	HOSE—GRAY,VINYL,2.0IDX12.0"L	1
10	049999	CLAMP,HOSE—2.25 MAX DIA,WORM	2
11	001512	SCR MACH RD HD .250-20X.75L,SS	8
12	056556	HINGE,BUTT—1.25 X 15.50 LONG	1
13	005620	SCR MACH RD HD .250-20X1.00,SS	6
14	056789	SPRING,COMP—.022X.30X6.00L	1
15	056788	TUBE,VINYL—.375X.625,12.00L,R	1
16	004536	WSHR LK .267ID.510OD.028T,SS	19
17	005616	SCR MACH RD HD .250-20X.50L,SS	3
18	035162	ASM,WTR PUMP—100PSI,115V,TERM	1
18	035218	ASM,WTR PUMP—100PSI,240V,TERM	1
19	035157	ASM,COOLING MUFFLER—KX-19SC	1
20	004513	WSHR FLT .281 ID.875OD.036T ZN	2
21	056551	GROM—.313ID,.750MHD,.125GROVE	2
22	005612	NUT,SELF-RETAINING—.250-20	9
23	004538	WSHR LK .204ID.410OD.025T,EXTS	5
24	003406	NUT,HEX— 10-24,SS	15
25	005615	SCR MACH RD HD 10-24X1.50L,SS	1
26	004519	RIVET,POP—.125 X.250 MAX GRIP	3
27	006117	ELBOW,PP-HS—3/8 MPTX3/8HS,NYL	2
28	051581	CLAMP,HOSE—.625 MAX DIA,WORM	5
29	054146	TUBE,VINYL—.375X.625,20.00L,R	1
30	056544	BOOT,RUBBER—PRO FOR SW027142	2
31	056860	PIPE,PLSTC—1/2"NOM X 12.50L	1
32	052893	WHEEL—GRAY,5-RIB,8.00 O.D.	2
33	048058	WHEEL—5.00DIA,.504BORE,1.12HB	2
34	056522	BSHG,SLV—.277ID.375OD.263L,ST	6
35	005373	WSHR FLT .281ID.625OD.062T STL	4
36	056873	GEAR,40T—MACHINED,EXTR'S	2
37	056478	SPACER,GEAR—STL,KX15SC,KX19SC	8
38	003413	NUT,SPEED,U— 10-24,.44X.63	8
39	056772	BRACKET—20GA SPLASH GUARD	1
40	035156	ASM,EXHAUST MUFFLER—KX-19SC	1
41	005621	SCR MACH RD HD 10-24 X .312,SS	2
42	002416	SCR TPG F PAN HD 10-B X.375L	2
43	035174	WDMT,TRACTOR HEAD—KX-19SC	1
44	005511	SCR MACH FLAT HD 10-24X.50L,SS	12
45	056481	FITTING,PLUG—BRASS,1/8-27	2
46	005219	WSHR FLT .406ID1.00OD.071T STL	8
47	004320	WSHR SPR TNSN .375ID.750OD.014	8
48	056521	BAR,STEEL—.625WX.187TX6.625L	4

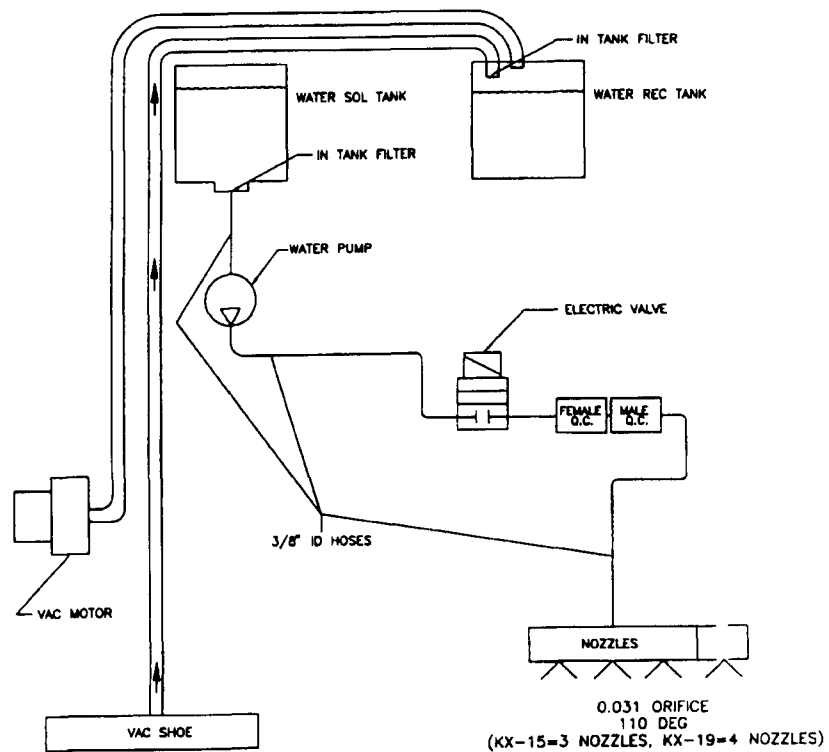
057249

DET.	PART NO.	DESCRIPTION	QUANT.
49	004535	WSHR FLT .203ID.562OD.045T,SS	10
50	056562	TUBE,SOLUTION—MACHINED,KX19SC	1
51	056098	NOZZLE,SPRAY—110DEG,TIP REMOV	4
52	056661	CASTING,VAC CHAMBER—MACH,KX19	1
53	055588	SPACER,SEAL—2.25DIA BRUSH	1
54	051846	RING,RTNG—EXT.375 SHAFT,STL	2
55	027197	BRG,BALL—.375ID,.875OD,.281W	3
56	055114	BELT,V—6V'S, 19.00 PITCH LG	1
57	054799	PULLEY—BRUSH DRIVE,1.25OD,6GR	1
58	056558	BRUSH,CYL—2.25OD X 17.465L	1
59	055578	GUARD,THREAD—2.25 BRUSH	1
60	222258	NUT,HEX—.250-20,SS	12
61	054292	ADAPTER—1/8NPTX.375 HOSE,BRS	1
63	035191	WDMT,LIFTING PLATE—11GA,SS	1
64	003464	NUT,HEX LOCK—.375-16,18-8,SS	2
65	004539	WSHR FLT .406ID1.000D.071T,SS	3
66	052887	TUBE,VINYL—.375X.625,18.00L,R	1
67	056483	SPRING,COMP .432D 1.50L.054WD	1
68	056444	STUD,CONT THD—.375-16X5.000L	1
69	055434	GROM—1.0ID,1.25MHD,.125PA	1
70	053901	GROM—1.93ID,2.43MHD,.125PA	1
71	004524	WSHR LK .675ID.777OD.031T,INT	1
72	034776	ASM,COUPLER & ADAPTER—EXTR	1
73	050815	COUPLING,QUICK DISCONNECT—BRS	1
74	056653	KNOB—PRES ADJ,MACH,EXTR	1
75	055384	BSHG,STRAIN RLF—HEYCO 1497	1
76	004352	PIN,LOCK—.125 DIA WIRE	2
77	004499	WSHR FLT .594ID1.120D.063T STL	1
78	026017	VALVE,SOL—115V.156ORI	1
78	026032	VALVE,SOL—230V.156ORI	1
79	035180	WDMT,FRAME—KX19SC,KX19SCA,XTR	1
80	002408	PIN,ROLL—.125 DIA,.750L	1
81	052983	ADAPTER—1/4 NPT, .375 HOSE	1
82	056606	PULLEY,GROOVED—6GRV,ALUM,.875	1
84	000007002466	SCR CAP SOC HD .250-20X1.50L	8
85	025998	MTR,AC—115/230,60,.33HP,1725	1
85	026022	MTR,VAC—240V/3STG BP,TD	1
86	002337	SCR CAP SOC HD .250-20X1.50L	8
87	035134	WDMT,PLATE W/NUT—KX15SC,KX19S	1
88	035159	WDMT,TAKEUP—FRANKLIN MTR,EXTR	1
89	003249	SCR CAP HEX HD 312-18X1.25L	1
90	E48748	WSHR FLT .127ID.375OD.030T STL	3
91	054730	SEAL,GREASE—875 OD X.375 ID	1
92	056555	AXLE,BRUSH—.374ODX17.92L,KX19	1
93	035151	ASM,BRUSH—2.25OD CYL,17.465L	1
94	056861	PIPE,PLSTC—1/2"NOM X 11.125L	1
95	003468	NUT,HEX LOCK—.250-20NYLOC,SS	8
96	002278	WSHR LK .262ID.489OD.062TSPLT	8
97	035383	ASM,PLATE—AIR COOLING,KX-19SC	1

SC MODEL WIRING DIAGRAM



SC MODEL HYDRAULIC DIAGRAM

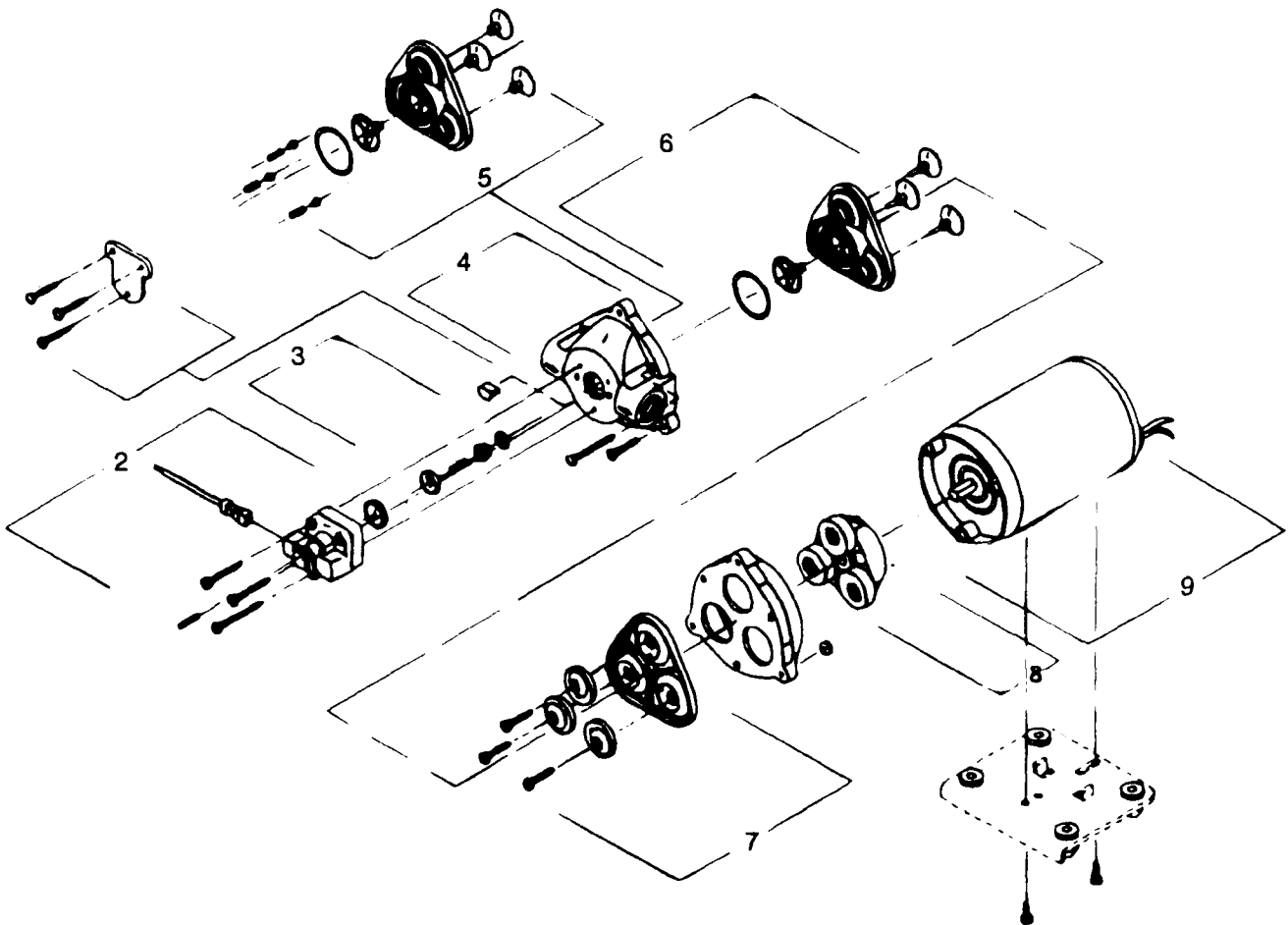


WATER PUMP DIAGRAM

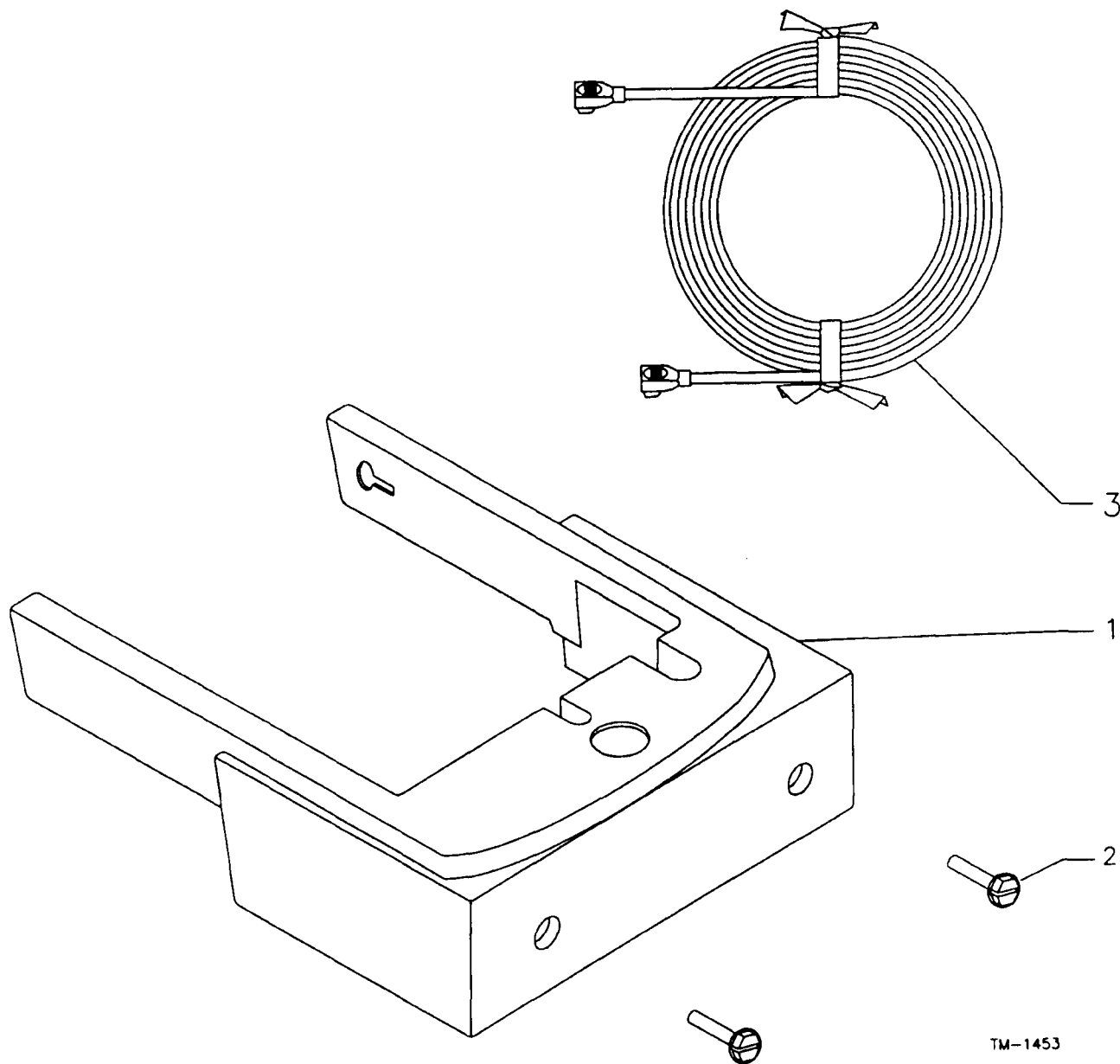
Part Number*	1	35161	35220	35162	35218
Shurflo Part No.		8000-532-256	8090-512-246	8000-813-288	8090-801-278
Psi		60	60	100	100
Voltage		115	230	115	230
Pressure Switch	2	39502	39502	39503	39503
Check Valves	3	39348	39348	39348	39348
Housing	4	39358	39358	39359	39359
Valves	5,6	39571	39571	39572	39572
Diaphragm	7	39343	39343	39343	39343
Drive Asm.	8	39360	39361	39362	39361
Motors W/rectifiers	9	39347	39363	39349	39363

*- NO. 1 is the complete pump assembly.

**- Replacement rectifiers are only for motors with an external rectifier.
The later designed motors have an internal rectifier, these rectifiers are not replaceable.



KX-15SCA & KX-19SCA SKIRT ASSEMBLY



TM-1453

PARTS LIST

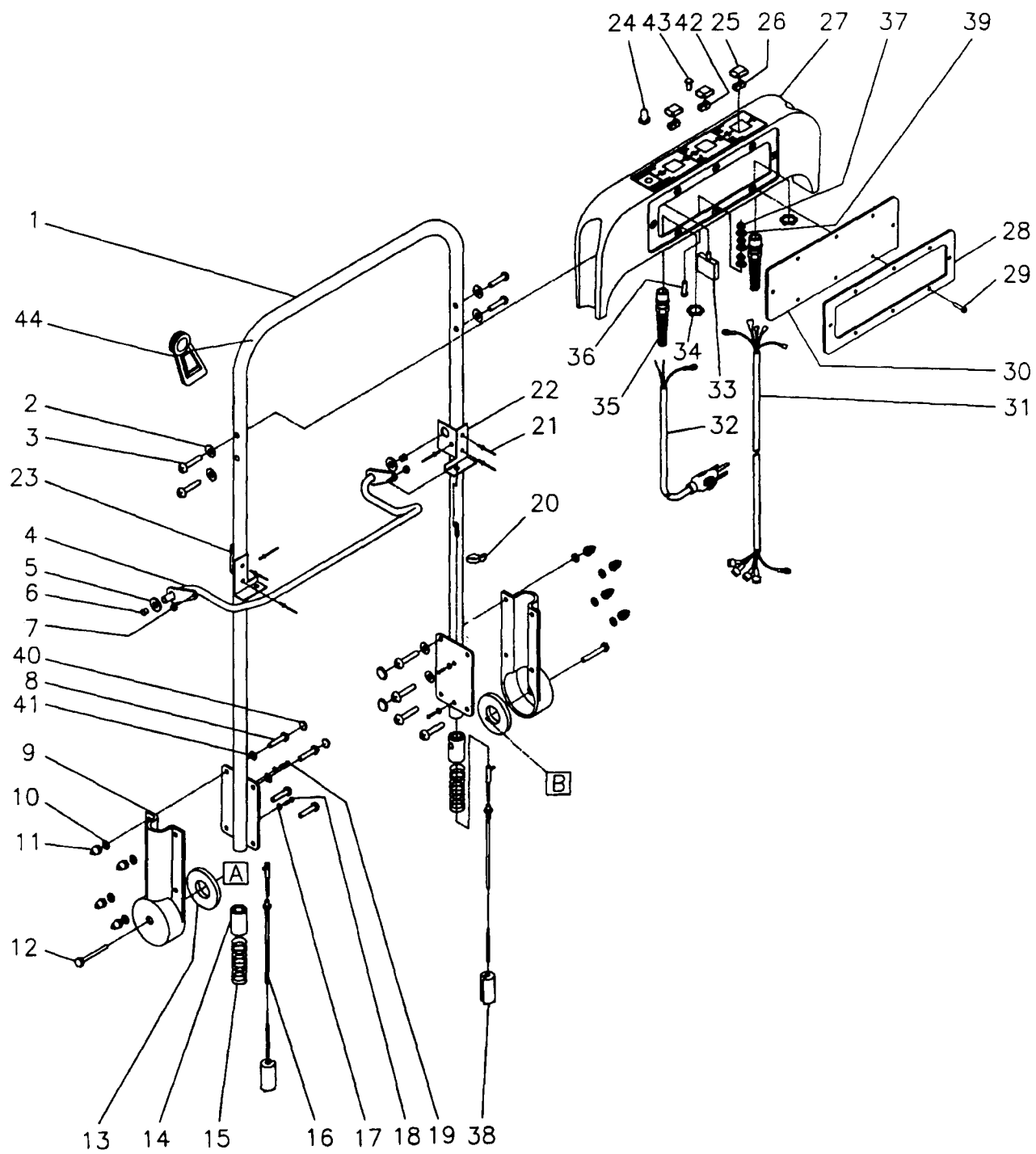
KX-15SCA SKIRT PARTS LIST

DET. PART NO.	DESCRIPTION	QUANT.
1	056463 COVER—MACHINED	1
2	005622 SCR TPG F HEX HD 10-24X.75,SS	2
3	026015 CORD,POWER—14/3SJTWA,50FT,YEL	1

KX-19SCA SKIRT PARTS LIST

DET. PART NO.	DESCRIPTION	QUANT.
1	056526 COVER—MACHINED	1
2	005622 SCR TPG F HEX HD 10-24X.75,SS	2
3	026015 CORD,POWER—14/3SJTWA,50FT,YEL	1

KX-15SCA & KX-19SCA HANDLE ASSEMBLY



KX-15SCA HANDLE ASSEMBLY PARTS LIST

DET. PART NO.	DESCRIPTION	QUANT.	
1	035345	WDMT,HANDLE—KX-15SCA	1
2	004538	WSHR LK .204ID.410OD.025T,EXTS	8
3	001450	SCR MACH PAN HD 10-32X1.12L	4
4	035346	WDMT,HANDLE LEVER & BRKT	1
5	056537	WSHR NYLON—MACHINED,EXTR	2
6	056662	PLUG,DOME—0.469DIA,NYLON,BLCK	2
7	003278	NUT,HEX— 10-32,ZN PLT	2
8	002357	SCR MACH PAN HD .250-20X.625L	8
9	057052	SOCKET,HANDLE—MACH,BLACK	2
10	004536	WSHR LK .267ID.510OD.028T,SS	10
11	S50472	NUT,ACORN—.250-20,NI PLT,HC	8
12	005626	SCR CAP HEX HD .500-13X3.50L	2
13	056787	PLATE,SPACER—ABS,BLK,.096	1
14	056599	TUBE,STL—.875OD,.250W,1.500L	2
15	056519	SPRING,COMP .645D 1.50L,100WD	2
16	057051	CABLE,SS—.06DIA X23.00L,W/BALL	2
17	004522	WSHR LK .176ID.831OD.023TEXTSS	2
18	001513	SCR MACH RD HD 8-32X.250L,SS	2
19	002478	SCR MACH RD HD .250-20X.375,SS	2
20	056612	CLIP, CORD	1
21	004541	RIVET,POP—.187 DIA .125MAX,SS	6
22	057053	PLATE,STL—14GA,RH,BLACK	1
23	057054	PLATE,STL—14GA,LH,BLACK	1
24	056546	BOOT,RUBBER—PRO FOR CB 027141	1

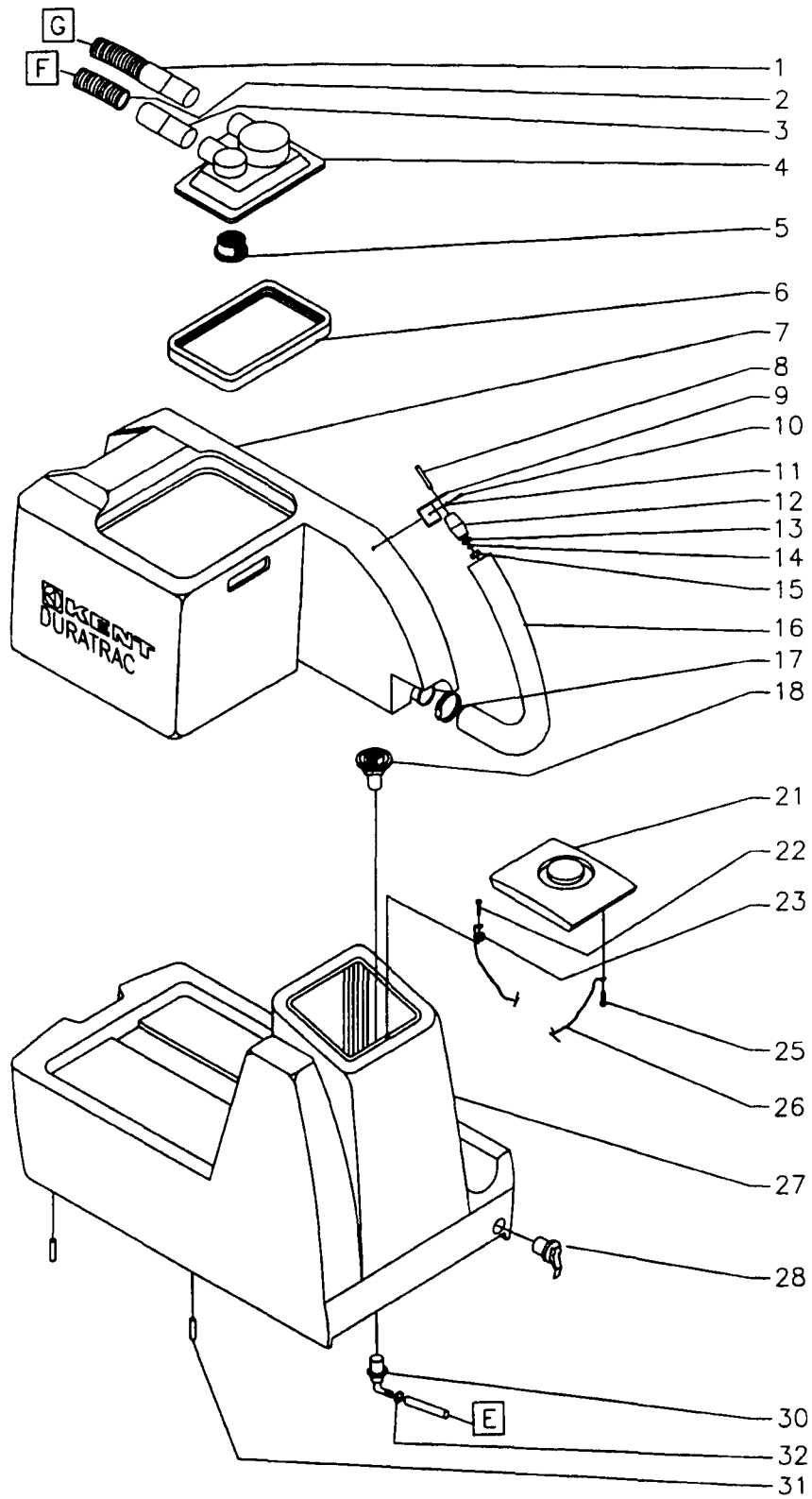
DET. PART NO.	DESCRIPTION	QUANT.	
24	056775	BOOT,RUBBER—PRO FOR CB 027151	1
25	056544	BOOT,RUBBER—PRO FOR SW027142	3
26	027142	SWITCH,RKR—DPST,16A,125/250V	2
27	056539	PANEL,CONTROL—MACH,KX15SC	1
28	056795	PLATE,STL—PANEL COVER,BLK	1
29	005609	SCR MACH PAN HD 10-32X.5,BLK	8
30	035146	ASM,GASKET & COVER—EXTR,PANEL	1
31	026013	CORD—16/5,68"YEL,TERMINALS	1
32	026011	CORD,POWER—14/3,2FT,YEL,TERMS	1
33	026751	CIRCUIT BREAKER—10AMP	1
33	027151	CIRCUIT BREAKER—5AMPS,VDE APP	1
34	006108	NUT,SPECIAL—.500 PIPE,HEX LOC	2
35	027003	BSHG,STRAIN RLF—.170-.470	2
36	001298	SCR MACH RD HD 10-24X.750L	1
37	003279	NUT,HEX— 10-24,ZN PLT	3
38	056614	PIN PLUNGER—EXTR HANDLE	2
39	004253	WSHR LK .204ID.410OD.025T EXT	3
40	057003	CAP PLUGS,PLSTC—BLACK	4
41	055399	WSHR FLT—1/4"SCR,RHIOCAPLUG	4
42	027107	SWITCH,RKR—DPDT,13A,125V,OFF	1
43	026110	LIGHT,INDICATOR—GREEN,240V	1
43	027158	LIGHT,INDICATOR—GREEN,120	1
44	056550	CLEAT,STRAIN RELIEF—EXTR'S	1

KX-19SCA HANDLE ASSEMBLY PARTS LIST

DET. PART NO.	DESCRIPTION	QUANT.	
1	035342	WDMT,HANDLE—1"DIA,KX-19SCA	1
2	004538	WSHR LK .204ID.410OD.025T,EXTS	8
3	001450	SCR MACH PAN HD 10-32X1.12L	4
4	035343	WDMT,HANDLE & BRACKET	1
5	056537	WSHR NYLON—MACHINED,EXTR	2
6	056662	PLUG,DOME—0.469DIA,NYLON,BLCK	2
7	003278	NUT,HEX— 10-32,ZN PLT	2
8	002357	SCR MACH PAN HD .250-20X.625L	8
9	057052	SOCKET,HANDLE—MACH,BLACK	2
10	004536	WSHR LK .267ID.510OD.028T,SS	10
11	S50472	NUT,ACORN—.250-20,NI PLT,HC	8
12	005626	SCR CAP HEX HD .500-13X3.50L	2
13	056787	PLATE,SPACER—ABS,BLK,.096	1
14	056599	TUBE,STL—.875OD,.250W,1.500L	2
15	056519	SPRING,COMP .645D 1.50L,100WD	2
16	057051	CABLE,SS—.06DIA X23.00L,W/BALL	2
17	004522	WSHR LK .176ID.831OD.023TEXTSS	2
18	001513	SCR MACH RD HD 8-32X.250L,SS	2
19	002478	SCR MACH RD HD .250-20X.375,SS	2
20	056612	CLIP, CORD	1
21	004541	RIVET,POP—.187 DIA .125MAX,SS	6
22	057053	PLATE,STL—14GA,RH,BLACK	1
23	057054	PLATE,STL—14GA,LH,BLACK	1
24	056546	BOOT,RUBBER—PRO FOR CB 027141	1

DET. PART NO.	DESCRIPTION	QUANT.	
24	056775	BOOT,RUBBER—PRO FOR CB 027151	1
25	056544	BOOT,RUBBER—PRO FOR SW027142	3
26	027142	SWITCH,RKR—DPST,16A,125/250V	3
27	056538	PANEL,CONTROL—MACH,KX-19SC	1
28	056795	PLATE,STL—PANEL COVER,BLK	1
29	005609	SCR MACH PAN HD 10-32X.5,BLK	8
30	035146	ASM,GASKET & COVER—EXTR,PANEL	1
31	026013	CORD—16/5,68"YEL,TERMINALS	1
32	026011	CORD,POWER—14/3,2FT,YEL,TERMS	1
33	026751	CIRCUIT BREAKER—10AMP	1
33	027151	CIRCUIT BREAKER—5AMPS,VDE APP	1
34	006108	NUT,SPECIAL—.500 PIPE,HEX LOC	2
35	027003	BSHG,STRAIN RLF—.170-.470	2
36	001298	SCR MACH RD HD 10-24X.750L	1
37	003279	NUT,HEX— 10-24,ZN PLT	3
38	056614	PIN PLUNGER—EXTR HANDLE	2
39	004253	WSHR LK .204ID.410OD.025T EXT	3
40	057003	CAP PLUGS,PLSTC—BLACK	4
41	055399	WSHR FLT—1/4"SCR,RHIOCAPLUG	4
42	027107	SWITCH,RKR—DPDT,13A,125V,OFF	1
43	026110	LIGHT,INDICATOR—GREEN,240V	1
43	027158	LIGHT,INDICATOR—GREEN,120	1
44	056550	CLEAT,STRAIN RELIEF—EXTR'S	1

KX-15SCA TANK ASSEMBLY



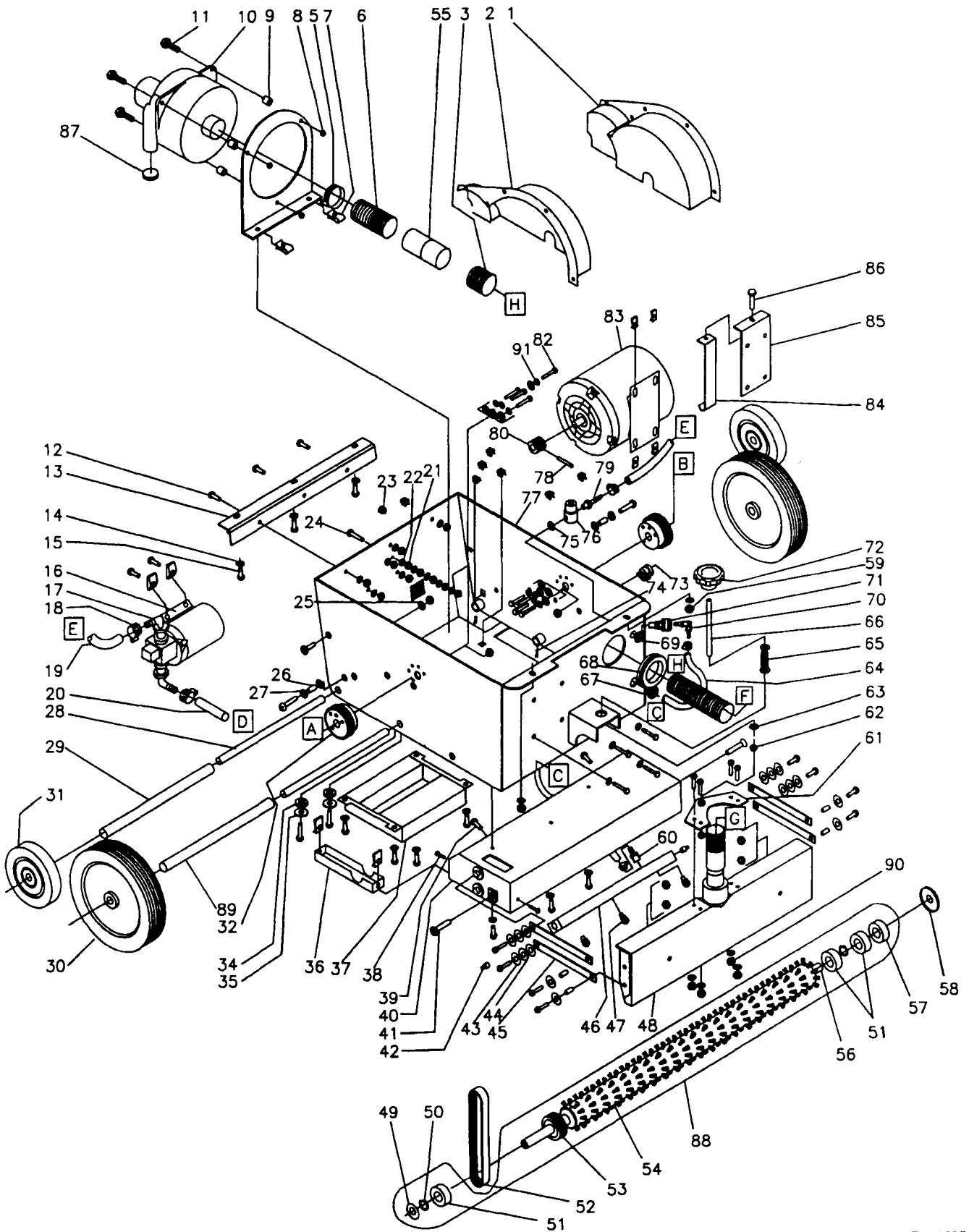
TM-1465

KX-15SCA TANK ASSEMBLY PARTS LIST

DET. PART NO.	DESCRIPTION	QUANT.
1 035164	ASM,1-1/2"HOSE W/2 CUFFS X 13	1
2 035233	ASM,HOSES W/CUFF & TUBING	1
3 055989	CUFF,HOSE—1.5.BLACK	1
4 035237	LID,TRANSPARENT—WARNING LABEL	1
5 056482	FILTER,CAP—VAC INTAKE,EXTR	1
6 056379	GASKET,FOAM—EXTR.RECOVERY	1
7 056530	RECVY TANK—MACHINED,KX-15SC	1
8 005625	SCR MACH PAN HD 10-24,2.50L,SS	1
9 057035	OBS,NO REPLACEMENT	1
10 002459	SCR CAP HEX HD .250-20X.500LSS	1
11 004536	WSHR LK .267ID.510OD.028T,SS	1
12 056456	STOPPER,RUBBER—7/8DIA,EXTR	2
13 004531	WSHR FLT .281ID.625OD.080T,SS	1
15 003469	NUT,HEX LOCK— 10-24,TPLK,SS	1

DET. PART NO.	DESCRIPTION	QUANT.
16 056533	TUBE,RUBBER—1.250DX1.01DX13.5	1
17 049082	CLAMP,HOSE—1.50 MAX DIA,WORM	1
18 057183	STRAINER—100/30MESH,1/2 NPT	1
21 056531	COVER,SOL TANK—MACHINED,EXTR	1
22 005511	SCR MACH FLAT HD 10-24X.50L,SS	1
23 003406	NUT,HEX— 10-24,SS	1
25 002416	SCR TPG F PAN HD 10-B X.375L	1
26 056819	WIRE ROPE—.062DIA X 12.00L	1
27 057185	SOL TANK—MACH,KX-15SCA,KENT	1
28 054583	PLUG,EXPANSION—.75DIA,SNAPTIE	1
30 055523	ELBOW,PP-HS—1/2MPT X 3/8HS,NY	1
31 056520	ROD,STEEL—.250-20 X 1.125L	2
32 051581	CLAMP,HOSE—.625 MAX DIA,WORM	1

KX-15SCA BASE ASSEMBLY

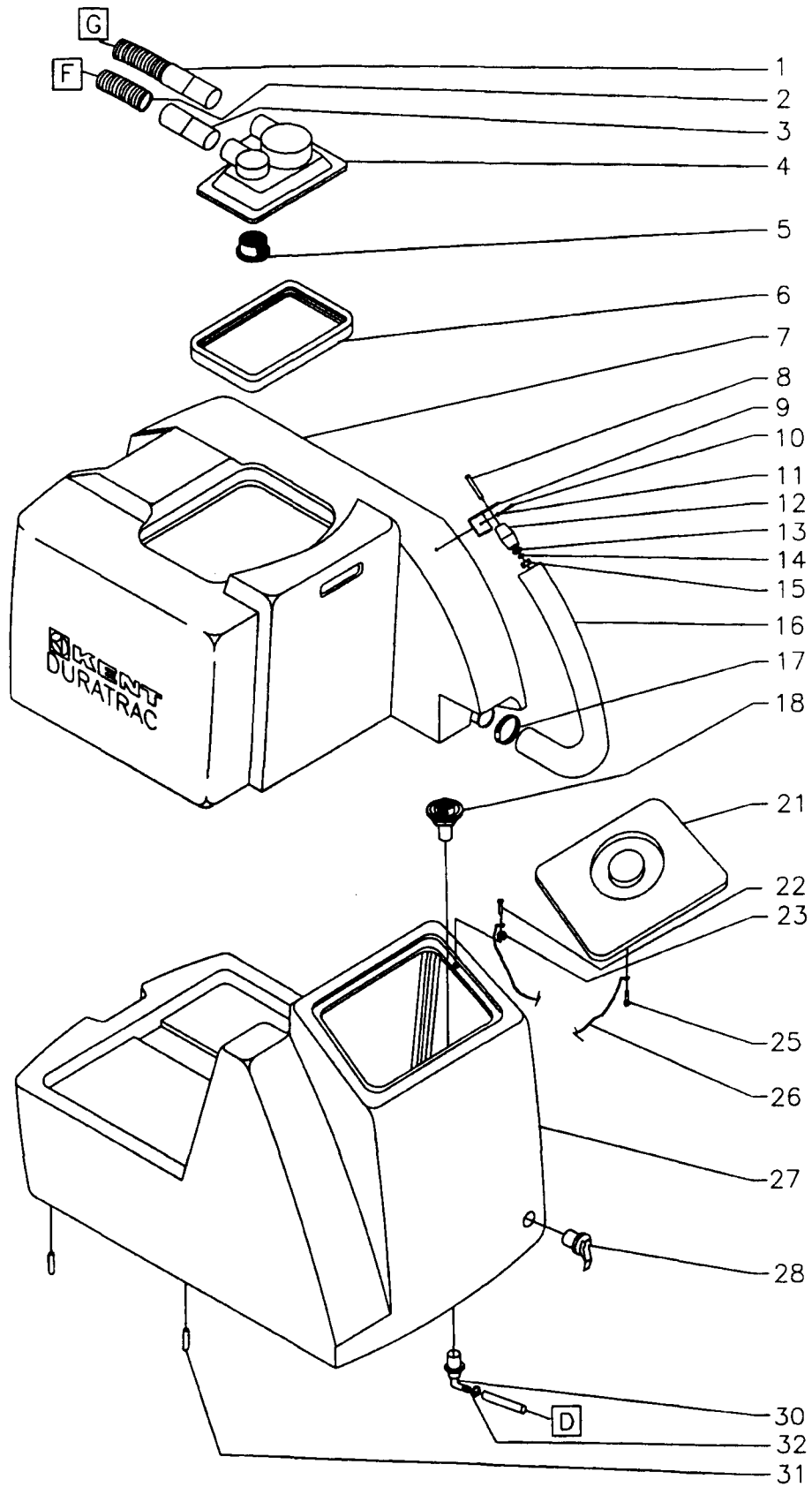


KX-15SCA BASE ASSEMBLY PARTS LIST

DET. PART NO.	DESCRIPTION	QUANT.
1	056415 COVER,WHEEL—RIGHT SIDE,EXTR	1
2	056414 COVER,WHEEL—LEFT HAND,EXTR	1
3	056794 HOSE,VAC—1.50DIA,BLK,14.00L	1
5	046688 CLAMP,HOSE—1.75 MAX DIA,WORM	1
6	056796 HOSE,VINYL—1.5ID,12.0L,BLK	1
7	003429 NUT,SPEED,U—250-20.58X1.125	8
8	005479 NUT,HEX LOCK—250-20,NYLOC,ZN	3
9	046309 SPACER,PHEN—250X.500,.500L	3
10	024214 MTR,VAC—115V,BYP,2 STG,DD	1
10	024341 MTR,VAC—240V,BYP,2STG.TD W/TB	1
11	002454 SCR CAP HEX HD .250-20X1.50L	1
12	001512 SCR MACH RD HD 250-20X.75L,SS	7
13	056557 HINGE,BUTT—125 X 12.50 LONG	1
14	004536 WSHR LK .267ID.510OD.028T,SS	18
15	005616 SCR MACH RD HD .250-20X.50L,SS	3
16	035161 ASM,WTR PUMP—60PSI,115V,TERMS	1
16	035220 ASM,WTR PUMP—60PSI,240V,TERM	1
17	006117 ELBOW,PP-HS—3/8 MPTX3/8HS,NYL	2
18	051581 CLAMP,HOSE—625 MAX DIA,WORM	5
19	055617 TUBE,VINYL—375X.625,9.00L,R	1
20	054146 TUBE,VINYL—375X.625,20.00L,R	1
21	003406 NUT,HEX—10-24,SS	15
22	004538 WSHR LK .204ID.410OD.025T,EXTS	5
23	005612 NUT,SELF-RETAINING—250-20	9
24	005615 SCR MACH RD HD 10-24X1.50L,SS	1
25	004535 WSHR FLT .203ID.562OD.045T,SS	10
26	056522 BSHG,SLV—277ID.375OD.263L,ST	6
27	005373 WSHR FLT .281ID.625OD.062T STL	4
28	056553 AXLE,WHEEL—500DX12.79,KX15SC	2
29	056933 PIPE,PLSTC—1/2"NOM X 9.50	1
30	052893 WHEEL—GRAY,5-RIB,8.00 O.D.	2
31	048058 WHEEL—5.00DIA.,504BORE,1.12HB	2
32	057249 GEAR,HOT—MACHINED,EXTRACTORS	2
34	056551 GROM—313ID.,750MHD.,125GROVE	2
35	004513 WSHR FLT .281 ID.875OD.036T ZN	2
36	056772 BRACKET—20GA SPLASH GUARD	1
37	035355 ASM. EXHAUST MUFFLER	1
39	002416 SCR TPG F PAN HD 10-B X.375L	2
40	035357 WDMT,EXTR HEAD—KX-15SCA	1
41	005511 SCR MACH FLAT HD 10-24X.50L,SS	12
42	056481 FITTING,PLUG—BRASS,1/8-27	2
43	005219 WSHR FLT .406ID1.00OD.071T STL	8
44	004320 WSHR SPR TNSN .375ID.750OD.014	8
45	057050 BAR,STL—625X.187X6.625,BLK	4
46	056564 TUBE,SOLUTION—MACHINED,KX15SC	1
47	056098 NOZZLE,SPRAY—110DEG,TIP REMOV	3

DET. PART NO.	DESCRIPTION	QUANT.
48	056660 CASTING,VAC CHAMBER—MACH,KX15	1
49	055588 SPACER,SEAL—2.25DIA BRUSH	1
50	051846 RING,RTNG—EXT.,375 SHAFT,STL	2
51	027197 BRG,BALL—.375ID. 875OD..281W	3
52	055114 BELT,V—6V'S, 19.00 PITCH LG	1
53	054799 PULLEY—BRUSH DRIVE,1.25OD,6GR	1
54	056559 BRUSH,CYL—2.25ODX13.465L	1
55	055989 CUFF,HOSE—1.5,BLACK	1
56	056552 AXLE,BRUSH—374ODX13.92L,KX15	1
57	054730 SEAL,GREASE—875 OD X.375 ID	1
58	055578 GUARD,THREAD—2.25 BRUSH	1
59	222258 NUT,HEX—250-20,SS	12
60	054292 ADAPTER—1/8NPTX.375 HOSE,BRS	1
61	035191 WDMT,LIFTING PLATE—11GA,SS	1
62	003464 NUT,HEX LOCK—375-16,18-8,SS	2
63	004539 WSHR FLT .406ID1.00OD.071T,SS	3
64	052887 TUBE,VINYL—375X.625,18.00L,R	1
65	056483 SPRING,COMP .432D 1.50L.054WD	1
66	056444 STUD,CONT THD—375-16X5.000L	1
67	055434 GROM—1.0ID,1.25MHD.,125PA	1
68	053901 GROM—1.93ID.2.43MHD.,125PA	1
69	004524 WSHR LK .675ID.777OD.031T,INT	1
70	034776 ASM,COUPLER & ADAPTER—EXTR	1
71	050815 COUPLING,QUICK DISCONNECT—BRS	1
72	056653 KNOB—PRES ADJ.MACH,EXTR	1
73	055384 BSHG,STRAIN RLF—HEYCO 1497	1
74	004352 PIN,LOCK—125 DIA WIRE	2
75	004499 WSHR FLT .594ID1.12OD.063T STL	1
76	026017 VALVE,SOL—115V.,156ORI	1
76	026032 VALVE,SOL—230V.,156ORI	1
77	035359 OBS,NO REPLACEMENT	1
78	002408 PIN,ROLL—125 DIA. .750L	1
79	052983 ADAPTER—1/4 NPT. 375 HOSE	1
80	056606 PULLEY,GROOVED—6GRV,ALUM.,875	1
82	002465 SCR CAP SOC HD .250-20X.750L	8
83	025998 MTR,AC—115/230,60.,33HP,1725	1
83	026020 MTR,AC—220/240.50.,33HP,1425	1
84	035134 WDMT,PLATE W/NUT—KX15SC,KX19S	1
85	035339 WDMT,TAKEUP—FRANKLIN MTR,BLK	1
86	003249 SCR CAP HEX HD .312-18X1.25L	1
87	056565 GASKET,DISCHARGE—VAC MTR,KX15	1
88	035152 ASM,BRUSH—2.25OD CYL.,13.465L	1
89	056934 PIPE,PLSTC—1/2"NOM X 8.125	1
90	003468 NUT,HEX LOCK—250-20NYLOC,SS	8
91	002278 WSHR LK .262ID.489OD.062TSPLT	8

KX-19SCA TANK ASSEMBLY



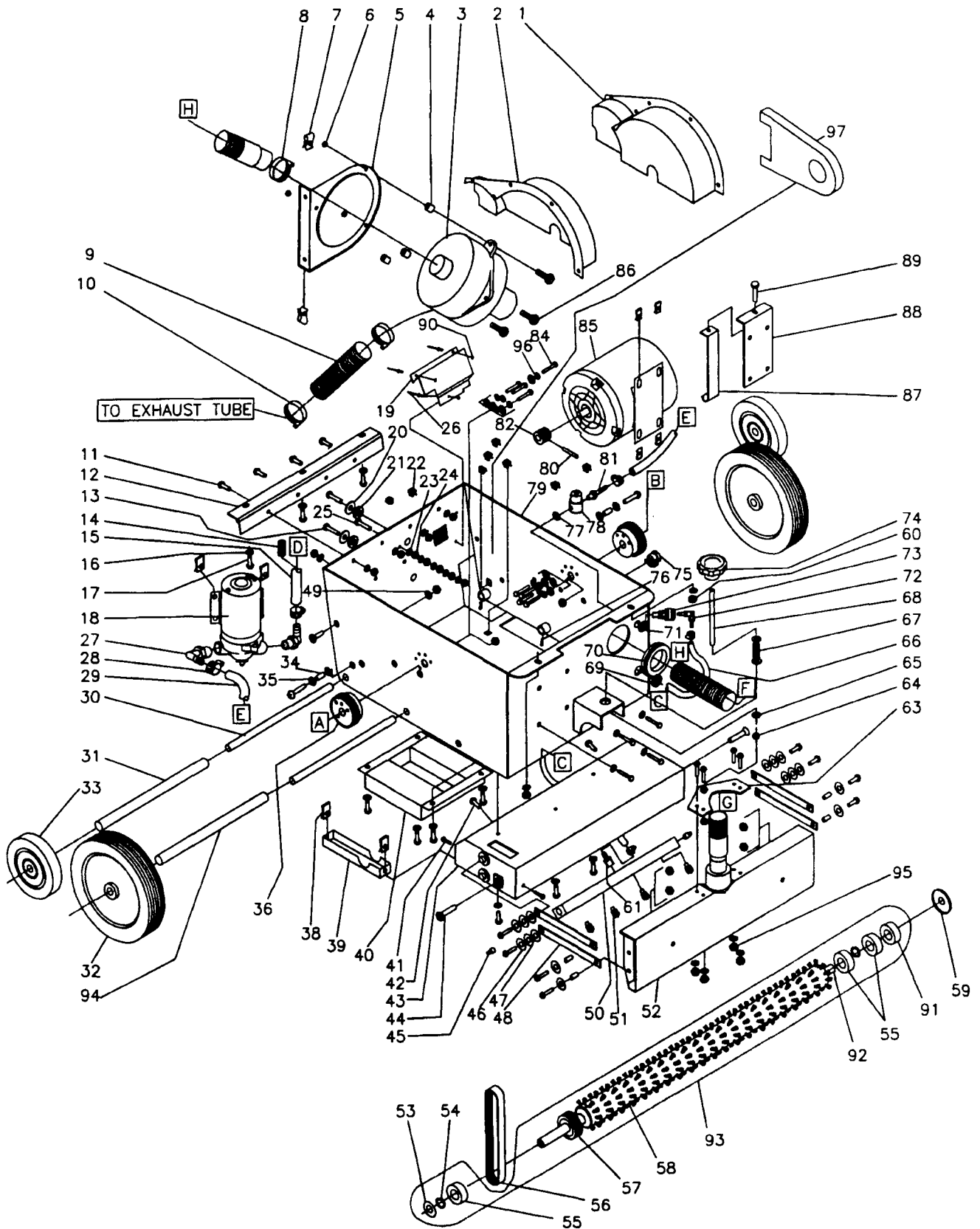
TM-1599

KX-19SCA TANK ASSEMBLY PARTS LIST

DET. PART NO.	DESCRIPTION	QUANT.
1	035164 ASM,1-1/2"HOSE W/2 CUFFS X 13	1
2	035233 ASM,HOSES W/CUFF & TUBING	1
3	055989 CUFF,HOSE—1.5,BLACK	1
4	035237 LID,TRANSPARENT—WARNING LABEL	1
5	056482 FILTER,CAP—VAC INTAKE,EXTR	1
6	056379 GASKET,FOAM—EXTR.RECOVERY	1
7	056436 TANK,RECVY—MACHINED,KX-19SC	1
8	005625 SCR MACH PAN HD 10-24,2.50L,SS	1
9	057055 BRKT,ALUM—.125,FORMED,BLACK	1
10	002459 SCR CAP HEX HD .250-20X.500LSS	1
11	004536 WSHR LK .267ID.510OD.028T,SS	1
12	056456 STOPPER,RUBBER—7/8DIA,EXTR	2
13	004531 WSHR FLT .281ID.625OD.080T,SS	1
14	004538 WSHR LK .204ID.410OD.025T,EXTS	1

DET. PART NO.	DESCRIPTION	QUANT.
15	003469 NUT,HEX LOCK— 10-24,TPLK,SS	1
16	056533 TUBE,RUBBER—1.250DX1.01DX13.5	1
17	049082 CLAMP,HOSE—1.50 MAX DIA,WORM	1
18	057183 STRAINER—100/30MESH,1/2 NPT	1
21	056531 COVER,SOL TANK—MACHINED,EXTR	1
22	005511 SCR MACH FLAT HD 10-24X.50L,SS	1
23	003406 NUT,HEX— 10-24,SS	1
25	002416 SCR TPG F PAN HD 10-B X.375L	1
26	056819 WIRE ROPE—.062DIA X 12.00L	1
27	057184 SOL TANK—MACH,KX-19SCA,KENT	1
28	054583 PLUG,EXPANSION—.75DIA,SNAPTIE	1
30	055523 ELBOW,PP-HS—1/2MPT X 3/8HS,NY	1
31	056520 ROD,STEEL—.250-20 X 1.125L	2
32	051581 CLAMP,HOSE—.625 MAX DIA,WORM	1

KX-19SCA BASE ASSEMBLY

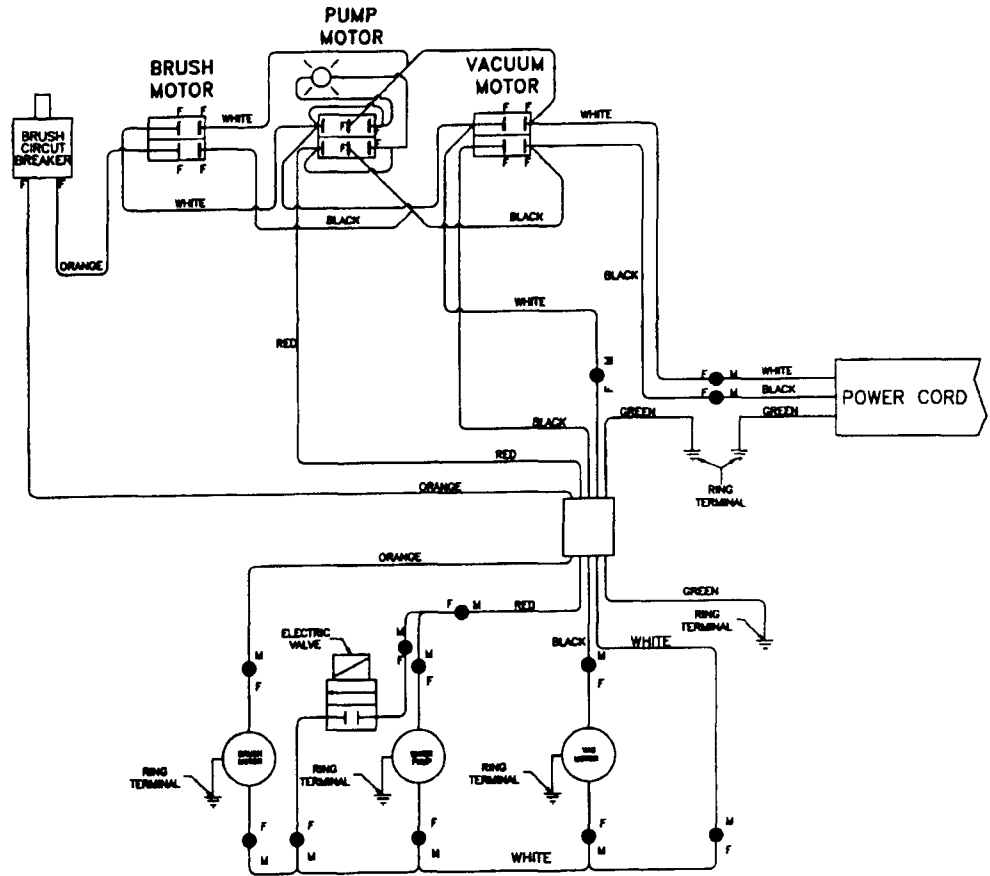


KX-19SCA BASE ASSEMBLY PARTS LIST

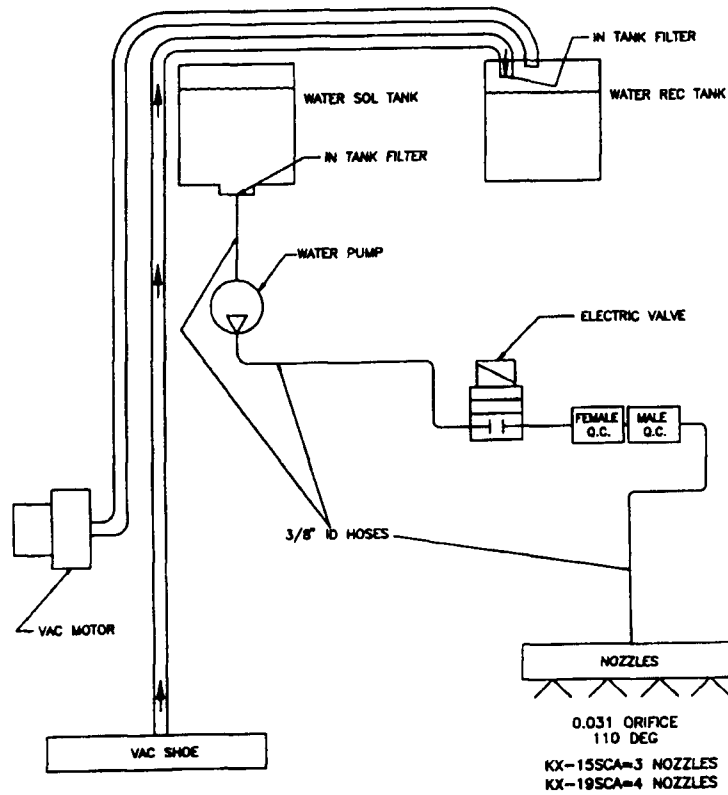
DET.	PART NO.	DESCRIPTION	QUANT.
1	056415	COVER,WHEEL—RIGHT SIDE,EXTR	1
2	056414	COVER,WHEEL—LEFT HAND,EXTR	1
3	024331	MTR,VAC—115V,BYP,3 STG,TD	1
3	026022	MTR,VAC—240V/3STG BP,TD	1
4	046309	SPACER,PHEN—.250X.500,.500L	3
5	056581	BRKT,ALUM—11GA,VAC MTR,KX19SC	1
6	005479	NUT,HEX LOCK—.250-20,NYLOC,ZN	3
7	003429	NUT,SPEED,U—.250-20,.58X1.125	8
8	046688	CLAMP,HOSE—1.75 MAX DIA,WORM	1
9	052881	HOSE—GRAY,VINYL,2.0IDX12.0"L	1
10	049999	CLAMP,HOSE—2.25 MAX DIA,WORM	2
11	001512	SCR MACH RD HD .250-20X.75L,SS	8
12	056556	HINGE,BUTT—1.25 X 15.50 LONG	1
13	005620	SCR MACH RD HD .250-20X1.00,SS	6
14	056789	SPRING,COMP—.022X.30X6.00L	1
15	056788	TUBE,VINYL—.375X.625.12.00L,R	1
16	004536	WSHR LK .267ID.510OD.028T,SS	19
17	005616	SCR MACH RD HD .250-20X.50L,SS	3
18	035162	ASM,WTR PUMP—100PSI,115V,TERM	1
18	035218	ASM,WTR PUMP—100PSI,240V,TERM	1
19	035157	ASM,COOLING MUFFLER—KX-19SC	1
20	004513	WSHR FLT .281 ID.875OD.036T ZN	2
21	056551	GROM—.313ID,.750MHD,.125GROVE	2
22	005612	NUT,SELF-RETAINING—.250-20	9
23	004538	WSHR LK .204ID.410OD.025T,EXTS	5
24	003406	NUT,HEX— 10-24,SS	15
25	005615	SCR MACH RD HD 10-24X1.50L,SS	1
26	004519	RIVET,POP—.125 X.250 MAX GRIP	3
27	006117	ELBOW,PP-HS—3/8 MPTX3/8HS,NYL	2
28	051581	CLAMP,HOSE—.625 MAX DIA,WORM	5
29	054146	TUBE,VINYL—.375X.625.20.00L,R	1
30	056544	BOOT,RUBBER—PRO FOR SW027142	2
31	056860	PIPE,PLSTC—1/2"NOM X 12.50L	1
32	052893	WHEEL—GRAY,5-RIB,8.00 O.D.	2
33	048058	WHEEL—5.00DIA,.504BORE,1.12HB	2
34	056522	BSHG,SLV—.277ID.375OD.263L,ST	6
35	005373	WSHR FLT .281ID.625OD.062T STL	4
36	057249	GEAR,HOT—MACHINED,EXTRACTORS	2
38	003413	NUT,SPEED,U— 10-24,.44X.63	8
39	056772	BRACKET—20GA SPLASH GUARD	1
40	035349	ASM,EXHAUST MUFFLER—KX-19SCA	1
42	002416	SCR TPG F PAN HD 10-B X.375L	2
43	035351	WDMT,EXTRACTOR HEAD—KX-19SCA	1
44	005511	SCR MACH FLAT HD 10-24X.50L,SS	12
45	056481	FITTING,PLUG—BRASS,1/8-27	2
46	005219	WSHR FLT .406ID1.00OD.071T STL	8
47	004320	WSHR SPR TNSN .375ID.7500D.014	8
48	057050	BAR,STL—.625X.187X6.625,BLK	4
49	004535	WSHR FLT .203ID.562OD.045T,SS	10

DET.	PART NO.	DESCRIPTION	QUANT.
50	056562	TUBE,SOLUTION—MACHINED,KX19SC	1
51	056098	NOZZLE,SPRAY—110DEG,TIP REMOV	4
52	056661	CASTING,VAC CHAMBER—MACH,KX19	1
53	055588	SPACER,SEAL—2.25DIA BRUSH	1
54	051846	RING,RTNG—EXT.,375 SHAFT,STL	2
55	027197	BRG,BALL—.375ID,.875OD,.281W	3
56	055114	BELT,V—6V'S, 19.00 PITCH LG	1
57	054799	PULLEY—BRUSH DRIVE, 1.25OD,6GR	1
58	056558	BRUSH,CYL—2.25OD X 17.465L	1
59	055578	GUARD,THREAD—2.25 BRUSH	1
60	222258	NUT,HEX—.250-20,SS	12
61	054292	ADAPTER—1/8NPTX.375 HOSE,BRS	1
63	035191	WDMT,LIFTING PLATE—11GA,SS	1
64	003464	NUT,HEX LOCK—.375-16,18-8,SS	2
65	004539	WSHR FLT .406ID1.000D.071T,SS	3
66	052887	TUBE,VINYL—.375X.625.18.00L,R	1
67	056483	SPRING,COMP .432D 1.50L.054WD	1
68	056444	STUD,CONT THD—.375-16X5.000L	1
69	055434	GROM—1.0ID,1.25MHD,.125PA	1
70	053901	GROM—1.93ID,2.43MHD,.125PA	1
71	004524	WSHR LK .675ID.777OD.031T,INT	1
72	034776	ASM,COUPLER & ADAPTER—EXTR	1
73	050815	COUPLING,QUICK DISCONNECT—BRS	1
74	056653	KNOB—PRES ADJ,MACH,EXTR	1
75	055384	BSHG,STRAIN RLF—HEYCO 1497	1
76	004352	PIN,LOCK—.125 DIA WIRE	2
77	004499	WSHR FLT .594ID1.12OD.063T STL	1
78	026017	VALVE,SOL—115V,.156ORI	1
78	026032	VALVE,SOL—230V,.156ORI	1
79	035353	OBS,NO REPLACEMENT	1
80	002408	PIN,ROLL—.125 DIA,.750L	1
81	052983	ADAPTER—1/4 NPT,.375 HOSE	1
82	056606	PULLEY,GROOVED—6GRV,ALUM,.875	1
84	002567002165	SCR CAP SOC HD .250-20X1.50L	8
85	025998	MTR,AC—115/230,60,.33HP,1725	1
85	026022	MTR,VAC—240V/3STG BP,TD	1
86	002465	SCR CAP SOC HD .250-20X.750L	7
87	035338	WDMT,PLT W/NUT-KX15SCA,KX19SCA	1
88	035339	WDMT,TAKEUP—FRANKLIN MTR,BLK	1
89	003249	SCR CAP HEX HD .312-18X1.25L	1
90	E48748	WSHR FLT .127ID.375OD.030T STL	3
91	054730	SEAL,GREASE—.875 OD X.375 ID	1
92	056555	AXLE,BRUSH—.374ODX17.92L,KX19	1
93	035151	ASM,BRUSH—2.25OD CYL,17.465L	1
94	056861	PIPE,PLSTC—1/2"NOM X 11.125L	1
95	003468	NUT,HEX LOCK—.250-20NYLOC,SS	8
96	002278	WSHR LK .262ID.489OD.062TSPLT	8
97	035383	ASM,PLATE—AIR COOLING,KX-19SC	1

SCA MODEL WIRING DIAGRAM



SCA MODEL HYDRAULIC DIAGRAM



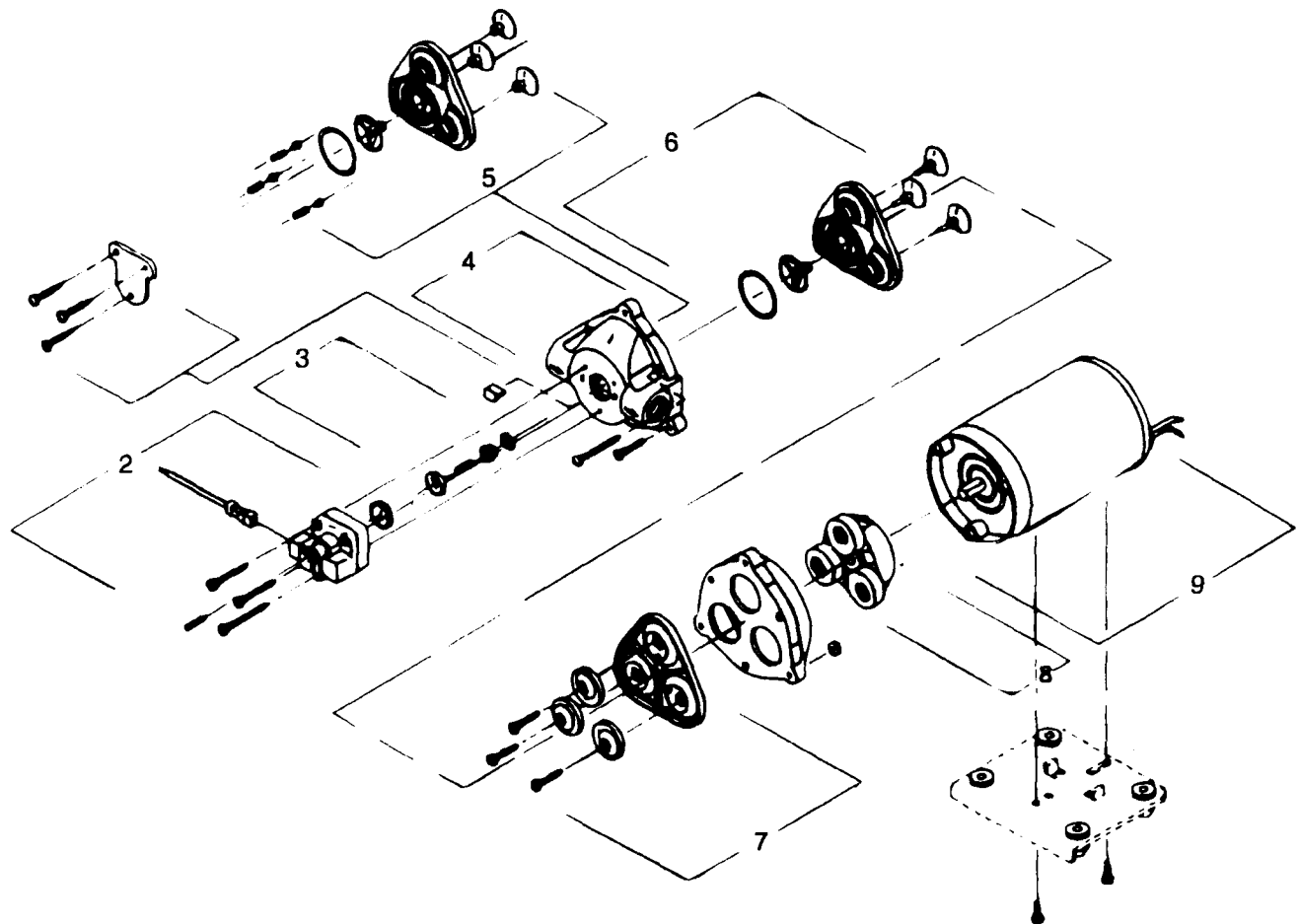
TM-474S2

WATER PUMP DIAGRAM

Part Number*	1	35161	35220	35162	35218
Shurflo Part No.		8000-532-256	8090-512-246	8000-813-288	8090-801-278
Psi		60	60	100	100
Voltage		115	230	115	230
Pressure Switch	2	39502	39502	39503	39503
Check Valves	3	39348	39348	39348	39348
Housing	4	39358	39358	39359	39359
Valves	5,6	39571	39571	39572	39572
Diaphragm	7	39343	39343	39343	39343
Drive Asm.	8	39360	39361	39362	39361
Motors W/rectifiers	9	39347	39363	39349	39363

*- NO. 1 is the complete pump assembly.

**- Replacement rectifiers are only for motors with an external rectifier.
The later designed motors have an internal rectifier, these rectifiers are not replaceable.



NOTES

TROUBLE SHOOTING GUIDE

PROBLEM	CAUSE	SOLUTION
1. Belt squeaks.	<ol style="list-style-type: none"> 1. New machine. 2. Brush drive belt may be loose. 	<ol style="list-style-type: none"> 1. Tip machine slightly back to start for the first minute or two of use. 2. See "BELT ADJUSTMENT" in the "ADJUSTMENTS" section of this manual.
2. Solution leaks through nozzles while the machine is off.	<ol style="list-style-type: none"> 1. Check valve may be clogged. 	<ol style="list-style-type: none"> 1. The check valve needs to be cleaned or replaced.
3. No solution through nozzles when the pump switch is depressed.	<ol style="list-style-type: none"> 1. Hose, filter, check valve, or nozzles may be clogged. 2. Water pump may not be operating. 3. Water pump may have failed. 4. Solution tank may be empty. 	<ol style="list-style-type: none"> 1. Clean hose, filter, check valve, or nozzles. 2. Check switch and wiring for failures. 3. Replace pump. 4. Fill tank with solution
4. Uneven solution spray pattern.	<ol style="list-style-type: none"> 1. Nozzle, nozzle tip, or filter may have lime or soap build up. 	<ol style="list-style-type: none"> 1. Remove the nozzles and clean them with vinegar. Do not use an object that may scratch or punch through the nozzle opening. Enlarging the opening may waste water.
5. Machine isn't removing old rug stains.	<ol style="list-style-type: none"> 1. Nozzle tips may be worn. 2. Stain may need to be pretreated with cleaning chemicals. 	<ol style="list-style-type: none"> 1. Replace nozzle tips making sure alignment allows spray to form a straight line. 2. Carefully pretreat all stains using recommended chemicals and methods before extracting.
6. Machine doesn't extract enough water from solution soaked carpet.	<ol style="list-style-type: none"> 1. Vacuum motor may have failed. 2. Gasket may be leaking. 3. Vacuum hose may have loose connection or the suction nozzle may be obstructed. 4. Vacuum tube may be obstructed. 5. Drain hose may be open or torn. 6. Vacuum hose may be damaged. 	<ol style="list-style-type: none"> 1. Repair or replace vacuum motor. 2. Locate torn or missing gasket and replace. 3. Connect loose hose or remove obstruction. 4. Clear vacuum tube screen of obstruction. 5. Close or replace drain hose. 6. Repair or replace hose.
7. Solution or foam is entering vacuum port.	<ol style="list-style-type: none"> 1. Recovery tank may be overflowing into the vacuum tube. 	<ol style="list-style-type: none"> 1. Use non-foaming chemicals and do not let the recovery tank capacity surpass the recommended level. For more information see "SOLUTION" section in this manual.
8. Leaking drain valve.	<ol style="list-style-type: none"> 1. Hose may be worn or loose. 	<ol style="list-style-type: none"> 1. Replace stoppers or hose.
9. Nothing works, no power.	<ol style="list-style-type: none"> 1. Fuse blown or circuit breaker tripped in building. 2. Faulty power cord. 	<ol style="list-style-type: none"> 1. Reset circuit breaker. 2. Contact the dealer from which the carpet extractor was purchased or an authorized service station for repair.
10. Brush motor runs but brush doesn't spin.	<ol style="list-style-type: none"> 1. Brush drive belt may be loose. 2. Brush drive belt may be broken. 3. The roll pin located inside the motor pulley may be broken. 4. Brush roll is defective. 	<ol style="list-style-type: none"> 1. See "BELT ADJUSTMENT" in the "ADJUSTMENTS" section of this manual. 2. Replace belt. 3. Replace roll pin. 4. Replace brush.

WARNING!

TO AVOID SERIOUS INJURY, DISCONNECT THE POWER CORD FROM THE ELECTRICAL OUTLET. ANY ELECTRICAL SERVICING MUST BE PERFORMED BY THE DEALER FROM WHICH THE CARPET EXTRACTOR WAS PURCHASED OR AN AUTHORIZED SERVICE STATION.

TROUBLE SHOOTING GUIDE (CONTINUED)

PROBLEM	CAUSE	SOLUTION
11. Brush motor doesn't run.	<ol style="list-style-type: none"> 1. The circuit breaker tripped because the brush is adjusted too low. 2. The circuit breaker tripped because the brush cannot turn due to logged debris. 3. The circuit breaker tripped because there is a short in the wiring. 4. Loose wiring connection or broken wire. 5. Faulty brush motor. 	<ol style="list-style-type: none"> 1. See "BRUSH ADJUSTMENT" 2. Unplug the power cord and remove clogged debris. 3. Contact the dealer from which the carpet extractor was purchased or an authorized service station for repair. 4. Contact the dealer from which the carpet extractor was purchased or an authorized service station for repair. 5. Replace brush motor.
12. The vacuum motor doesn't run.	<ol style="list-style-type: none"> 1. The vacuum switch is off. 2. The vacuum switch is faulty. 3. Loose wiring connection or broken wire. 4. Faulty vacuum motor. 	<ol style="list-style-type: none"> 1. Turn on the vacuum switch. 2. Contact the dealer from which the carpet extractor was purchased or an authorized service station for repair. 3. Contact the dealer from which the carpet extractor was purchased or an authorized service station for repair. 4. Contact the dealer from which the carpet extractor was purchased or an authorized service station for repair.
13. Vacuum motor works but the vacuum suction is weak.	<ol style="list-style-type: none"> 1. The vacuum chamber is clogged. 2. The vacuum hose is loose at either end. 3. The vacuum hose has a loose cuff or is torn. 4. The clear lid is not sealed properly in place. 5. The gasket on the clear lid is damaged. 	<ol style="list-style-type: none"> 1. Remove clogged material. 2. Push the ends of the vacuum hose firmly in place. 3. Tighten cuff or replace hose. 4. Position clear lid properly over tank opening. 5. Replace the clear lid's gasket.
14. No spray through spray nozzles	<ol style="list-style-type: none"> 1. The pump switch is off. 2. The solution filter is clogged and has shut off solution to the solution pump. 3. The spray nozzles are plugged. 4. Loose or broken wiring. 5. Faulty pump switch. 6. Solenoid valve doesn't work. 	<ol style="list-style-type: none"> 1. Turn pump switch on. 2. Clean solution filter from clogging debris. 3. Remove the nozzles and clean them with vinegar. Do not use an object that may scratch or punch through the nozzle opening. Enlarging the opening may waste water and cause streaking. 4. Contact the dealer from which the carpet extractor was purchased or an authorized service station for repair. 5. Contact the dealer from which the carpet extractor was purchased or an authorized service station for repair. 6. Clean or replace the solenoid valve.

WARNING!

TO AVOID SERIOUS INJURY, DISCONNECT THE POWER CORD FROM THE ELECTRICAL OUTLET. ANY ELECTRICAL SERVICING MUST BE PERFORMED BY THE DEALER FROM WHICH THE CARPET EXTRACTOR WAS PURCHASED OR AN AUTHORIZED SERVICE STATION.

THE KENT LIMITED WARRANTY

Your Kent equipment which has been manufactured, tested, and inspected in accordance with carefully specified engineering requirements, is warranted to be free from defects in material and workmanship. This warranty is, however, subject to the following qualifications, conditions, and limitations which are set forth to provide you and all users of the equipment with information concerning the duration, extent, availability, and applicability of the Kent limited warranty, the procedure to be taken to obtain it's performance, and other information concerning the Kent warranty policy.

The Kent Limited Warranty is extended to the original end user as follows

All Kent cord electric machines with the exception of upright and two motor upright vacuums have a three year warranty on parts, and one year labor coverage. Upright and two motor upright vacuums have a one year parts and labor warranty (except the Duravac 15 which has a two year parts one year labor warranty). Motor and gear unit assemblies on 175 RPM Floor Machines carry a warranty of five years. Poly components carry a ten year replacement warranty with one year service labor. This warranty will not cover damage attributable to the following:

- : Improper, unreasonable or negligent use or abuse of the equipment.
- : Use of the equipment with hot water (over 120 deg. F , 49 deg. C).
- : "Warpage", "Creepage", or "Distortion" of the part so long as the same does not interfere with normal operation.
- : Abrasions or punctures of the equipment.

The start date of the warranty coverage shall be the date the machine was shipped from the factory, or with proof of purchase, the purchase date of the original end user. The start date of the warranty shall not exceed one year from the ship date from the factory.

Parts of Kent Equipment not covered by the Kent Limited Warranty

Certain parts of Kent Equipment require replacement in the ordinary course of use due to normal wear by reason of their characteristics. These are normal wear items such as cords, squeegee blades, belts, gaskets, bumpers, carbon brushes, filters, hoses, bags, padholders, brushes, etc.

Exceptions and Exclusions from Warranty

This equipment is required to be used on electric current as indicated on the dataplate. Otherwise damage, defects, malfunctions or other failures of the equipment arising from the use on electric current not as indicated are excepted and excluded from this warranty. Defects, malfunctions, failure, or damage of the equipment caused by improper care, unreasonable or negligent use or abuse of the equipment are likewise excluded from this warranty. If repair is done to the equipment by anyone other than those designated as authorized to perform such work without having obtained factory authorization in writing, the Kent Company at it's sole option, may determine that this warranty will not apply and that reimbursement for such repair will not be made because of the failure to comply with such factory instructions.

Procedure to be taken to obtain performance of warranty repair

To secure repair of the equipment or any warranted parts under this warranty, the following procedure must be taken. The inoperative equipment or warranted parts together with satisfactory evidence of the purchase date, must be delivered, with shipping and delivery charges prepaid, to one of the following:

- : The dealer from whom purchased.
- : Any Kent distributor's service department in the United States.
- : Any Kent authorized service station in the United States.

If you are unable to locate any of the foregoing, you may write or otherwise communicate with The Kent Company for instructions before repair service is performed by anyone else. In such event, The Kent Company will provide either the location of a Kent authorised service department or other factory instructions. In the event that no local service department is available, Kent at it's discretion will repair or replace the part or equipment at the factory, the products will be returned to the owner freight prepaid. No warranty will be honored without proof of purchase, the model number, and serial number if applicable.

Replacement

In the event of a defect, malfunction, or failure of your Kent equipment or any warranted part to conform with this warranty, The Kent Company may, at it's sole option and own expense, replace the equipment or any warranted part with another new identical or reasonably equivalent model or part in lieu of repairing the defect.

No refund of purchase price

The Kent Company will not, as a matter of it's warranty policy, refund the customer's purchase price.

Warranty registration

Your Kent Company distributor from whom you purchased your equipment is responsible for the registration of your warranty with the factory. We ask that you cooperate with your distributor in supplying the necessary information on the warranty card so that we may better serve you. Any information or questions that you may have concerning your Kent equipment or this warranty may likewise be secured from the factory. This warranty gives you specific legal rights, and you may also have other rights which vary from state to state.