



# Electronic Service Manuals

This electronic document is provided as a service to our customers. We do not create the contents of the information contained in this document. Should you have detailed questions pertaining to the information contained in this document, you may contact Michco, or the manufacturer which provided the original information in this electronic deliverable. Michco's only part in this electronic deliverable was the electronic assembly process.

You may contact Michco through the following methods:  
Phone (517) 484-9312 or (800) 331-3339 MI, OH, IN only  
2011 N. High St. -- Lansing, Michigan -- 48906  
Fax: (517) 484-9836  
Email: [CustServ@Michco.com](mailto:CustServ@Michco.com)  
Web site: [www.Michco.Com](http://www.Michco.Com)  
Parts Web site: [www.FloorMachineParts.Com](http://www.FloorMachineParts.Com)

Order Parts on Line at:  
**[www.FloorMachineParts.Com](http://www.FloorMachineParts.Com)**

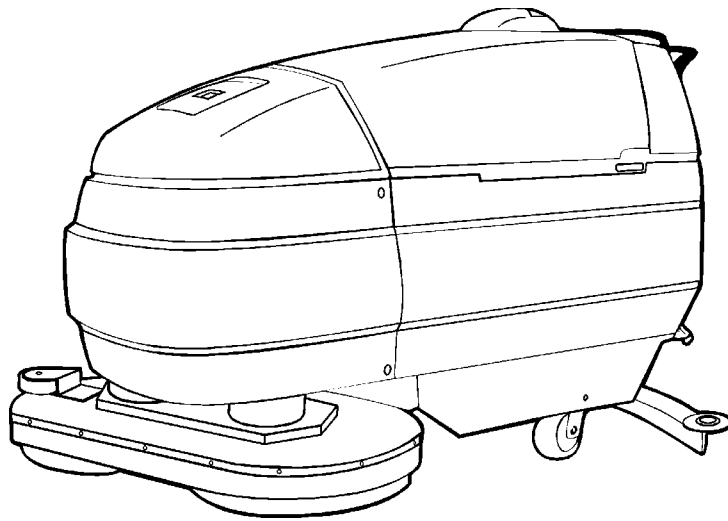
Directly to Parts & Service:  
By Email: **[Shop@Michco.com](mailto:Shop@Michco.com)**  
By Fax: (517) 702-2041  
By Voice: Use numbers above.

**Serving the Cleaning Industry Since 1922**

Notice: All copyrighted material remains property of original owners, all trademarks are property of respective owners. Manuals are subject to Manufacturer's reproduction limitations. Originals or reproductions were provided by manufacturers through a request. We make no warranty as to the correctness of information provided in this document and you assume all risk.

# SelectScrub™ 27

---



## **PARTS LIST** **Kent MODEL 56636998**

This model is obsolete.



**KENT**  
**Euroclean**

*Working For A Cleaner World*

4/99 revised 2/05 FORM NO. 56042365(083399P-1)

**RECOMMENDED SPARE PARTS**

99-4

**SelectScrub™ 27**

04-6

<b>Ref. No.</b>	<b>Qty</b>	<b>Description</b>
56035302	1	Hose, Squeegee Blk
56035129	1	Hose, Tank Blk
56035179	1	Hose, Dump Blk
56039276	4	Carbon Brush
56377001	1	Carbon Brush set for vac motor
56057935	1	Knob, 3-Lobe
56056425	1	Rubber, Squeegee Front
56056427	1	Rubber, Squeegee Rear
56056426	1	Rubber, Squeegee Backup
56056466	1	Gasket, Squeegee
56056793	1	Filter, Screen

DESCRIPTION	PAGE
SOLUTION TANK ASSEMBLY .....	2-3
RECOVERY TANK ASSEMBLY .....	4-5
BACK PANEL ASSEMBLY .....	6-7
SQUEEGEE ASSEMBLY .....	8-9
BRUSH HEAD ASSEMBLY .....	10-11
REAR COVER ASSEMBLY .....	12-13
BRUSH COVER ASSEMBLY .....	14-15
FRAME ASSEMBLY .....	16-17
CHASSIS ASSEMBLY .....	18-19
WIRING DIAGRAM .....	20

#### WHEN ORDERING PARTS

- \* Use the 8 digit numbers from the "Ref. No." columns in this parts list.
- \* Specify the model and serial number of the machine.
- \* Use the space below to record the model and serial number for future reference.

Model \_\_\_\_\_ Serial No. \_\_\_\_\_

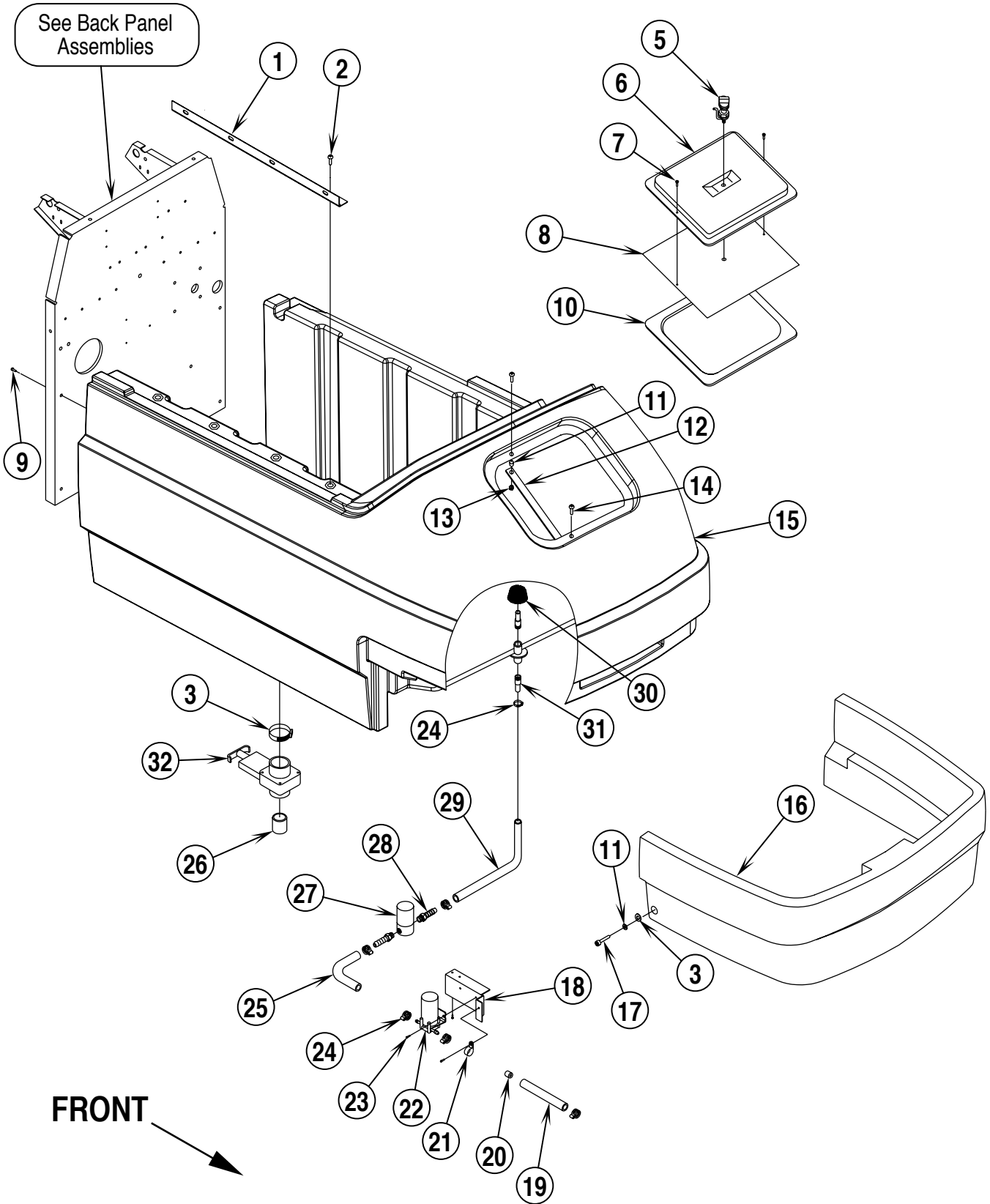
# SOLUTION TANK ASSEMBLY

99-4

2

SelectScrub™ 27

00-6



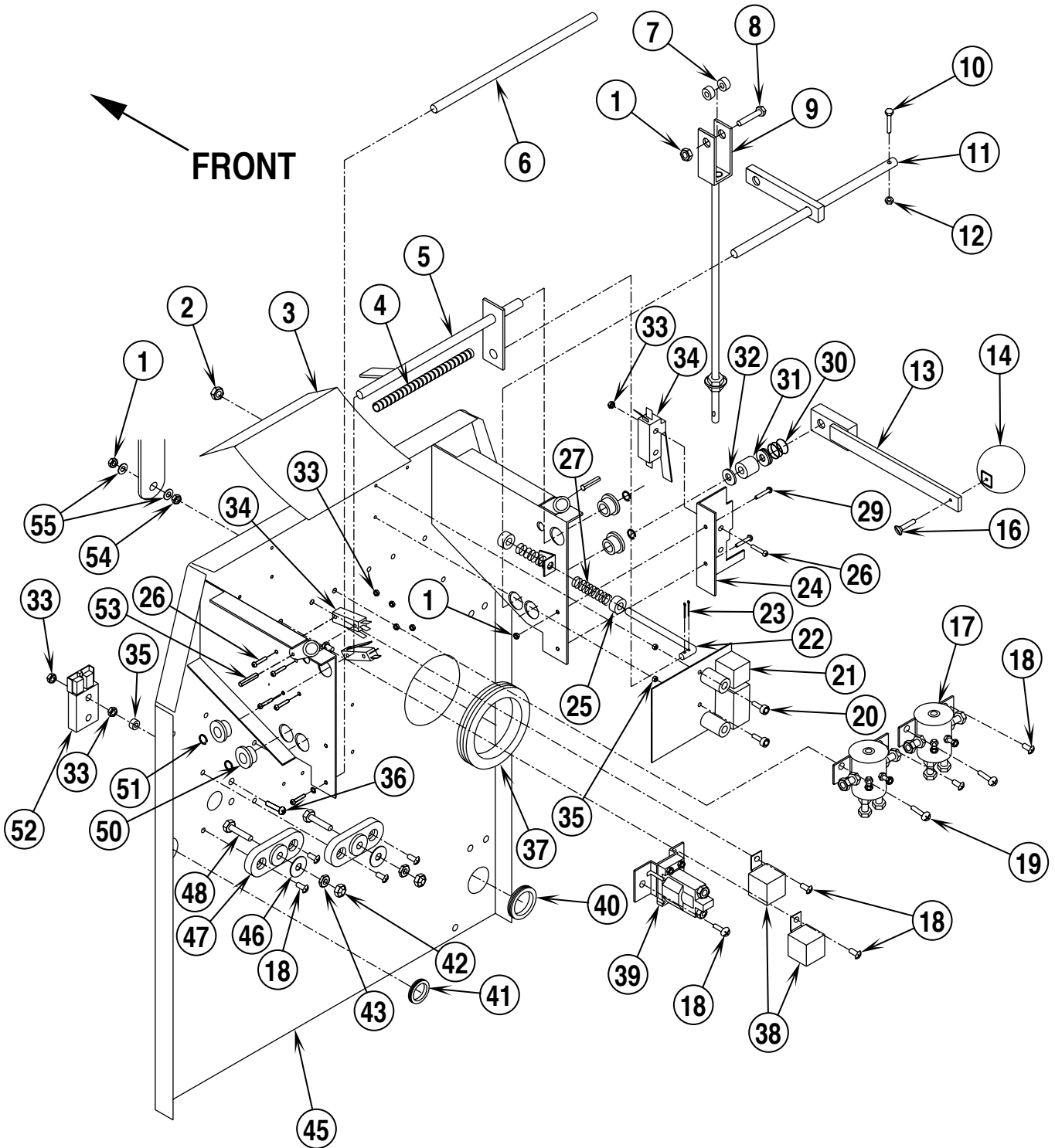
99-4	<b>SOLUTION TANK ASSEMBLY</b>			
00-6	<b>SelectScrub™ 27</b>			<b>3</b>

Item	Ref. No.	Qty	Description
	56035297	1	Assy, Solution Tank, Includes Items (1-2, 4-8, 10, 15, 26, 32)
	56035331	1	Assy, Lid, Solution Tank, Includes Items (5-8)
1	56056514	1	Hinge, Butt—RS 056291,Black
2	56002922	4	Scr, Hex Loc 1/4-20 x .62
3	56049999	1	Clamp, Hose Worm Drive SAE 28
5	56055222	1	Latch, Twist
6	56057040	1	Lid, Tank—Sol Tank, 27 AUTO
7	56003515	2	Rivet, Pop—.125DIA, .188MAX G.R
8	56057041	1	Plate, SS—20GA,8.25x10.75
9	56002032	4	Scr Cap Soc HD .250-20 x .625L
10	56057044	1	Seal, Trim
11	56046425	2	Spacer, Phen—.250 x .437, .250L
12	56057043	1	Bar, Stl—.120 x .750, 8.75L
13	56002836	2	Nut, Hex Nyl Loc SS 10-24
14	56002898	2	Scr Mach Pan HD 10-24 x 1.00L,SS
15	56056698	1	Tank, Solution—MACH'D, 27 AUTO
16	56056978	1	Cover, Front—Flame Treated,27
17	56001961	2	Scr Cap Soc HD—.25-20 x 1.25 L
18	56056659	1	Bracket, Water Pump
19	56052887	1	Tube, Vinyl—.375 x .625,18.00L,R
20	56057688	1	Spacer, SS—.106 x .400, .500L
21	56051474	1	Clamp, Loop—.625 Closed ID, Nyl
22	56639470	1	Assy, Pump—12V,1GPM
23	56009030	5	Scr Pan Phil Thd Form 10-24 x .375L
24	56219932	6	Clamp, Hose—.625 MAX Dia, Worm
25	56048505	1	Tube, Vinyl—.500 x .750, 6.75L
26	56056593	1	Tube, Plastic—1.58-1.50 Reducer
27	56027145	1	Valve, Solenoid—24V
28	56054691	2	Adptr, PP-HS—3/8MPT x 3/8HS,BRS
29	56392277	1	Tube, Vinyl—.375ID x .625OD x 5.00
30	56057209	1	Line Strainer—80 Micron,S.S.
31	56051207	2	Adptr, PP-HS—1/2MPT x 3/8HS,PLS
32	56055070	1	Valve, Slide—Shutoff,1.5Pipe,T



99-4	<b>RECOVERY TANK ASSEMBLY</b>			
01-11	<b>SelectScrub™ 27</b>			<b>5</b>

Item	Ref. No.	Qty	Description
	56035484	1	Assy, Recovery Tank, Includes Items (1-14, 16, 19, 21, 24-31, 35-46)
1	56009191	2	Scr Pan Phil Plastite 10-14 x .500L
2	56056793	1	Filter, Screen—1.85ID,SS
3	56055494	1	Pipe, PVC—1.50 SCH40 X 6.00L
4	56329145	3	Clamp, Hose—2.25 MAX DIA, Worm
5	56002917	2	Scr, Fit Phil SS 10-24X1LSS
6	56002768	4	Nut, Hex Nyl Loc 10-24
7	56057029	1	Gasket, Support—27" AUTO
8	56057033	1	Plate, Stl—Rec Tank, SS
9	56035326	1	Weldment, Support
10	56003015	2	Nut, Hex Jam SS 3/8-16
11	56035327	1	Weldment, Support—Rec Tank
12	56002959	4	Pin, Cot Hair SS .125 x Dia .50/.75
13	56057025	1	Plate, Stl—16GA,SS
14	56057026	1	Pin, Stl—3/8"OD,SS
15	56057187	1	Handle, Slide Valve—Service
16	56057504	1	Bracket, Stl—11GA,Plated
17	56057579	1	Lid, Domed—DURASCRUB, Clear
18	56002098	1	Wsh, Flt SAE 1/4
19	56002147	2	Scr Pan Phil 10-32 x .50
20	56001954	2	Wsh, Flt SAE #10
22	56003537	1	Scr, Soc Shd .250 x .38 x 10-24
23	56057508	1	Bar, Stl—11GA,W/Slot, Plated
24	56263264	1	Assy, Vacuum Motor 24V,3-STG,W/TERMS
25	56056764	3	Spacer, Phen—.265 x .500 x 3.156L
27	56503003	1	Carbon Brush Set for Vac Motor
28	56002740	3	Scr, Hex 1/4-20 x 4.00L
29	56035564	1	Assy, Hose—Blk, Cuffs & Elbow
30	56056676	1	Elbow, Pipe—RS 98402,Cut Off
31	56630382	1	Ring-Motor Mounting
32	56131601	2	Clamp, Hose—1.75 MAX Dia, Worm
33	56035129	1	Assy, Hose—Tank, 1.50 Dia, Blk
34	56035179	1	Assy, Hose—Dump, Blk, 1.50 Dia
35	56057671	1	Bracket, Steel—16GA.Taml Valve
36	56035160	1	Weldment, Drain—Recovery Tank
37	56054762	1	Gasket, Foam—.187 x 2.87 x 2.87
38	56057421	1	Valve, Slide—1-1/2Pipe, 27" Auto
39	56053894	1	Fitting—Reducer, 1.66-1.50,Pls
40	56057106	1	Tube, PVC—RS098403,4.500L
41	56057437	1	Tank, Rec—Mach'd,27SS
42	56635964	1	Assy, Elbow—Recovery Tank
43	56057002	1	Switch, Float W/Wire
44	56056617	1	Wire Rope—.062DIA x 6.00L
45	56057890	1	Gasket—.375 x .375 x 36.00L



99-4	<b>BACK PANEL ASSEMBLY</b>			
02-4	<b>SelectScrub™ 27</b>			<b>7</b>

Item	Ref. No.	Qty	Description
1	56002708	4	Nut, Hex Nyl Loc 1/4-20,ZN PLT
2	56002808	2	Nut, Hex Nyl Loc 8-32,ZN
3	56026164	1	Insulator, Elec—MYLAR,11.5X7
4	56057176	1	Tube, Plstc—Slit,.81OD x 11.0"L
5	56035384	1	Weldment, Shaft Actuator
6	56057366	1	Rod, Stl—Support,Handle, KA-33SS
7	56050872	2	Spacer, Phen—.250 x .500, .375L
8	56001967	1	Scr Cap Hex Hd 1/4-20 x 1.75L
9	56035488	1	Assy, Squeegee Lift
10	56002102	1	Scr Cap Soc Hd 10-24 x 1.25L
11	56639618	1	Weldment, Squeegee 27SS,Plated
12	56002768	1	Nut, Hex Nyl Loc 10-24
13	56639643	1	Handle, Squeegee Weldment
14	56057391	1	Handle, Ball—Alum,2.125 Dia
16	56002828	1	Scr Hex Mach Pan HD 1/4-20 x .625L
17	56026645	2	Solenoid, 24V
18	56009062	12	Scr Pan Phil Thd Form 1/4-20 x .50
19	56002825	1	Scr Pan Phil 1/4-20 x 1.25L
20	56001868	2	Scr, Pan Phil 8-32 x 1.00
21	56026133	1	Control—DC,Autos,Crts,24V
22	56053296	1	Rod, Stl—.312 Dia., 6.00 Long
23	56002166	2	Pin, Cotter—.094 x .750 LONG
24	56057413	1	Bracket, Arm Stop
25	56048987	2	Collar-Centering Spring
26	56002858	6	Scr Pan Phil 6-32 x 1.00L
27	56056597	2	Spring, Comp .480D 2.75L .045WD
29	56002066	3	Scr Pan Phil 1/4-20 x .625L
30	56057388	1	Spring, Comp .975D .88 L .112WD
31	56057517	1	Spacer, Nylon—.50ID,.71OD,.39T
32	56001879	3	Wsh, Flt SAE 1/2
33	56002830	8	Nut, Hex Nyl Loc 6-32
34	56026603	3	Switch, Lvr—SPDT,20A,125-250V
35	56057428	4	Spacer, Alum .187 x .375, .375L
36	56002670	2	Scr Pan Phil 6-32 x 1.50L
37	56054845	1	Grommet—3.00ID,3.50MHD,.12PA
38	56026180	2	Relay, Power—24VDC,40/30A,SPDT
39	56027165	1	Solenoid, SPST, 24VDC
40	56262531	1	Grommet 2"ID x 2.44MHD x .12PA
41	56055434	1	Grommet 1.0ID,1.25MHD,.125PA
42	56002701	2	Nut, Hex Nyl Loc 5/16-18
43	56009086	2	Nut, Hex Jam 5/16-18,Zn Plt
45	56035481	1	Weldment, Back Panel
46	56009122	2	Wsh, Flt .344 x .938 x .125
47	56057872	2	Insulator Main Terminal
48	56001834	2	Scr Cap Hex Hd 5/16-18 x 1.25L
50	56027131	4	Bearing, Flange .500ID.750OD.500W
51	56003264	4	Ring, Ret Ext Type E
52	56027240	1	Assy, Charger Plug 2 CNDCT
53	56002734	2	Pin, Roll—.312 DIA,1.000L
54	56003145	1	Nut, Hex—1/4-20,SS
55	56002098	2	Wsh Flt .281ID.750OD.120T Stl

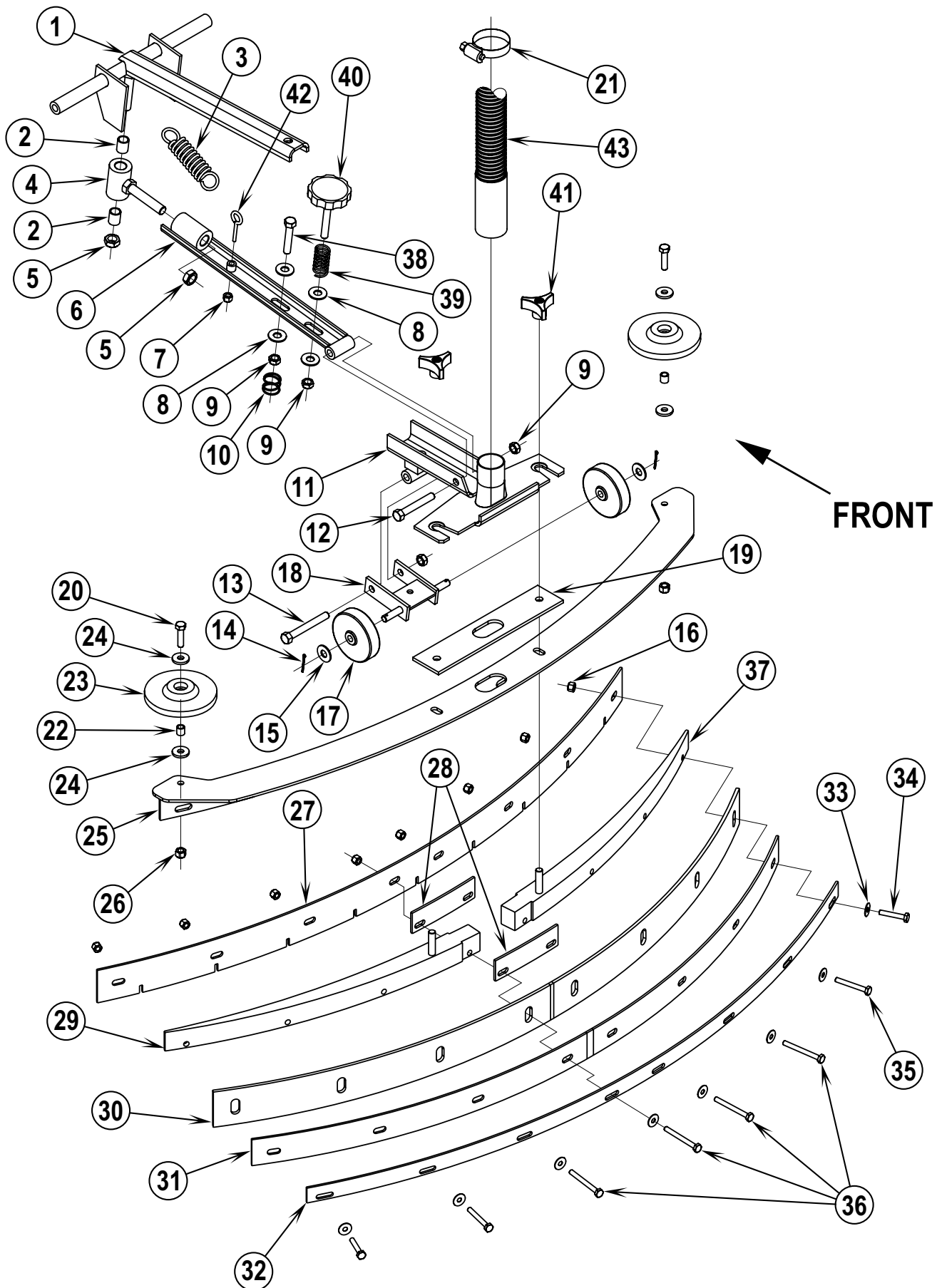
SQUEEGEE ASSEMBLY

99-4

8

SelectScrub™ 27

05-2



99-4	<b>SQUEEGEE ASSEMBLY</b>			
05-2	<b>SelectScrub™ 27</b>			<b>9</b>

Item	Ref. No.	Qty	Description
	56035215	1	Assy, Squeegee, Includes Items (16, 19-37)
	56035309	1	Assy, Squeegee Linkage, Includes Items (1-18, 38-41)
1	56035310	1	Weldment, Squeegee Lift
2	56027171	4	Bearing, Sleeve .500ID, .625OD, .750W
3	56051136	1	Spring, Ext .750D 2.92L .104WD
4	56035150	1	Weldment, Pivot—Squeegee
5	56002843	2	Nut, Hex Nyl Loc Thin 1/2-13
6	56035137	1	Weldment, Squeegee Bar
7	56002840	1	Nut, Hex Nyl Loc Thin 1/4-20
8	56002063	4	Wsh Flt .406ID1.00OD.071T Stl
9	56002841	4	Nut, Hex Nyl Loc Thin 3/8-16
10	56056808	1	Spring, Comp .970D .750L .072WD
11	56035138	1	Weldment, Squeegee Bracket
12	56001873	1	Scr Cap Hex Hd 3/8-16 x 2.50L
13	56002204	1	Scr Cap Hex Hd 3/8-16 x 3.00L
14	56002166	2	Pin, Cotter .09 x .74 LONG
15	56002063	2	Wsh Flt .406ID.625OD.036T Stl
16	56002491	8	Nut, Hex Nyl Loc SS 1/4-20
17	56057193	2	Wheel, Plastic—3"OD, 3/8"Bore
18	56034172	1	Weldment, Bracket—Squeegee Wheel
19	56056466	1	Gasket, Squeegee—.187 x 2, 9.75L
20	56001834	2	Scr Cap Hex Hd 5/16-18 x 1.25L
21	56131601	1	Clamp, Hose—1.75 Max Dia, Worm
22	56053699	2	Spacer, Stl—.312 x .437, .43L
23	56053720	2	Wheel—4.00DIA, .438Bore,.688HB
24	56002220	4	Wsh, Flt STD 5/16
25	56035118	1	Weldment, Squeegee
26	56002826	2	Nut, Hex Nyl Loc-Thin 5/16-18
27	56056425	1	Rubber, Squeegee Front
28	56056461	2	Clamp, Squeegee—11GA,5.00L
29	56056285	1	Spacer, Squeegee Left
30	56056427	1	Rubber, Squeegee Rear
31	56056426	1	Rubber, Squeegee Backup
32	56056671	1	Strap, Squeegee—27"Auto
33	56002098	8	Wsh Flt SAE 1/4
34	56001833	2	Scr Hex 1/4-20 x 1.50
35	56001874	2	Scr Hex 1/4-20 x 2.00
36	56001855	4	Scr Hex 1/4-20 x 2.50
37	56056435	1	Spacer, Squeegee—Right
38	56002470	1	Scr Hex Thd/Hd 3/8-16 x 2.00
39	56056585	1	Spring, Comp .845D 1.75L .085WD
40	56035163	1	Assy, Knob—Adjustment
41	56057935	2	Knob, 3-Lobe
42	56009220	1	Bolt, Eye 1/4-20 x 1.00
43	56035302	1	Assy, Hose—Squeegee,1.5DIA,Blk

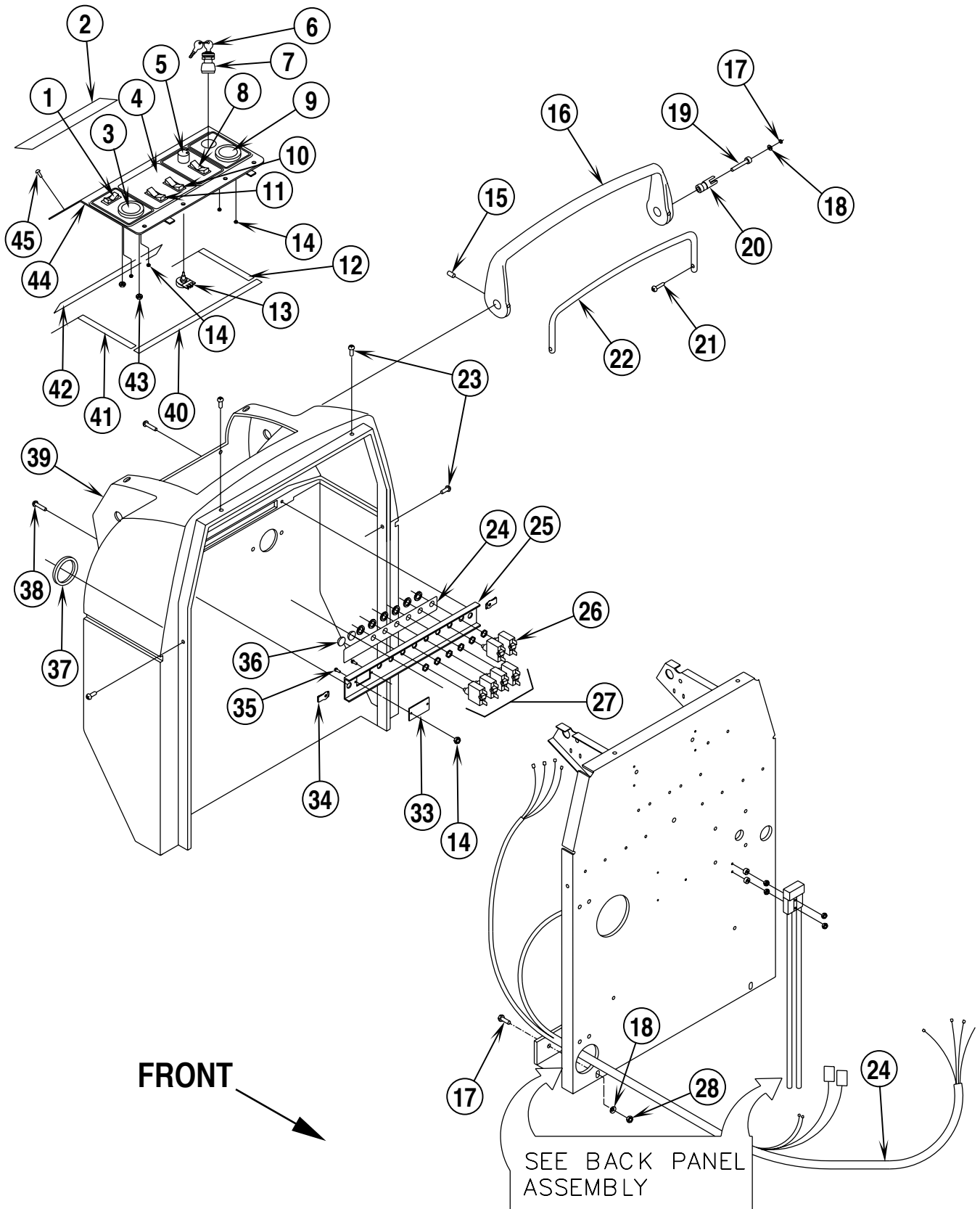


99-4	<b>BRUSH HEAD ASSEMBLY</b>			
05-2	<b>SelectScrub™ 27</b>			<b>11</b>

Item	Ref. No.	Qty	Description
	56035491	1	Assy, Brush Head, Includes Items (1-17, 19-45)
	56035366	1	Assy, Drive Hub, Right, Includes Items (14-15, 19-28)
	56035367	1	Assy, Drive Hub, Left, Includes Items (14-17, 19, 21-24, 26-28)
1	56026603	3	Switch, Lvr—SPDT,20A,125-250V
2	56002692	2	Scr Pan Phil 6-32 x 1.75
3	56002830	4	Nut, Hex Nyl Loc 6-32
5	56002529	2	Pin, Cotter—.125 x 1.00 Long
6	56003529	1	Ring, Ret Int Type HO
7	56001879	8	Wsh Flt SAE 1/2
8	56027153	2	Assy, Motor & Gear Unit
9	56057663	2	Key, Square—.250 SQ,1.437 Long
10	56002959	2	Pin, Lock—.125 Dia Wire
11	56035313	1	Weldment, Brush Head—27 AUTO
13	56002947	8	Scr Hex Loc 3/8-16 x 1.00L
14	56003525	2	Ring, Ret Int Type HO
15	56009283	2	Wsh Flt 1.770ID2.342OD.078T
16	56056446	1	Hub, Drive Brush Left
17	56057160	1	Plate, SS—Brush MTG Ring, Left
18	56005630	6	Lug, Brush 1/4-20 Thread
19	56002836	12	Nut, Hex Nyl Loc SS 10-24
20	56057159	1	Plate, SS—Brush Mtg Ring, Right
21	56003630	12	Scr Flt Phil SS 10-24 x .88
22	56003540	2	Scr Soc Hd Loc 5/16-18 x 1.50
24	56003026	4	Scr Pan Phil SS 6-32 x .50
25	56056447	1	Hub, Drive Brush Right
26	56057046	2	Clip, Retaining—Brush Lug
27	56056445	2	Shaft, Drive—Brush
28	56056464	2	Tube, SS—1.50OD,16GA,1.937L
29	56392277	1	Tube, Vinyl—.375 x .625, 5.00L
30	56249280	1	Tee, Hose
31	56392276	1	Tube, Vinyl—.375 x .625, 9.25L
32	56056987	1	Shaft, Stl—.375 Dia, 5.75L
33	56002063	10	Wsh Flt SAE 3/8
34	56002770	4	Nut, Hex Nyl Loc 1/2-13
35	56056254	4	Bar, Stl—.375 x 1.25, 9.00L
36	56056473	4	Spacer, Stl—.531 x .750, .218L
37	56001831	4	Scr, Hex Hd 1/2-13 x 1.25L
38	56003049	2	Scr Pan Phil 6-32 x 1.25L
39	56056155	1	Pin—Actuator
40	56046425	2	Spacer, Phen—.250 x .437, .250L
41	56035547	1	Weldment, Actuator Tube—Brush, Pltd
42	56056639	1	Plate, Stl—13GA,1.125Dia
43	56054427	1	Spring, Comp 1.09D 2.50L .035WD
44	56027154	1	Actuator, DC—24V, 500LBS, 6IN
45	56039276	4	Brush, Motor—FOR 56635644
46	56001939	2	Wsh, Flt SAE 5/16
47	56002907	4	Nut Hex Nyl Loc SS 6-32
*	56478246	5	Tie, Cable
**	56020386	2	Polypropylene Brush
**	56020390	2	Grit Brush
**	56020427	2	Pad Holder

\* = Not Shown

\*\* = Not Included (optional)



Item	Ref. No.	Qty	Description
1	56026046	1	Switch, Rocker—DPDT
2	56057836	1	Label—Warning, Automatics
3	56026131	1	Ammeter, DC—0-75A, Round, 2.0Dia
4	56057614	1	Label—Instr Panel
5	56056596	1	Knob, Plastic—Black, .92Dia x .95
6	56057243	1	Key, Automatics—for P/N 56441538
7	56441538	1	Starter-Switch-Locking
8	56026130	1	Switch, Rocker—DPDT, On/Off/On
9	56026135	1	Voltmeter—18-30 VDC, Round
10	56026129	1	Switch, Rocker—DPST, Off/On/(On)
11	56027241	1	Switch, Rocker—SPDT, On/Off Momt
12	56057308	1	Gasket—.125 x .500, 8.656L, Left
13	56026243	1	Potentiometer Assembly
14	56002830	6	Nut, Hex Nyl Loc 6-32
15	56001826	2	Scr, Soc Set Loc 5/16 -18 x .500
16	56056594	1	Handle, Painted Actuator
17	56003538	2	Ring, Ret Int Type HO
18	56002098	2	Wsh, Flt SAE 1/4
19	56003540	2	Scr Soc Hd Loc 5/16-18 x 1.50L
20	56056359	2	Shaft, Stl—.750Dia, 1.75L
21	56002145	2	Scr Pan Phil 1/4-20 x .50L
22	56056595	1	Handle, Stl—.625Dia, Painted
23	56009043	6	Scr Pan Phil Thd Form 10-24 x .750L
24	56057430	1	Label—Circuit Breaker, SS
25	56056499	1	Panel, Circuit Breaker
26	56387316	2	Circuit Breaker—10AMP
27	56454423	4	Circuit Breaker—30AMP, Scr Trm
28	56002701	2	Nut, Hex Nyl Loc 5/16-18, Zn Plt
30	56001939	2	Wsh Flt SAE 5/16
31	56002667	2	Scr Hex 5/16-18 x .750
32	56027172	1	Harness, Wire—SS/Brush Pause
33	56644681	1	Plate, Stl—Breaker Panel, Paint
34	56009289	2	Nut, U Multi-Thread 1/4-20
35	56001830	2	Scr Pan Phil 6-32 x .500L
36	56323560	2	Plug, Dome—.500Dia, Blk Plastic
37	56057058	1	Grommet—2"ID, 3"OD, .25GW
38	56002507	2	Scr Pan Phil 1/4-20 x .750
39	56057407	1	Cover, Rear—Mach'd
40	56057306	1	Gasket—.125x.500, 13.75L, TOP
41	56057309	1	Gasket—.125x.500, 8.656R
42	56057310	1	Gasket—.125x.500, 12.75L
43	56002708	2	Nut, Hex Nyl Loc 1/4-20, Zn
44	56057343	1	Panel, Instr
45	56009191	6	Scr Pan Phil Plastite 10-14 x .500

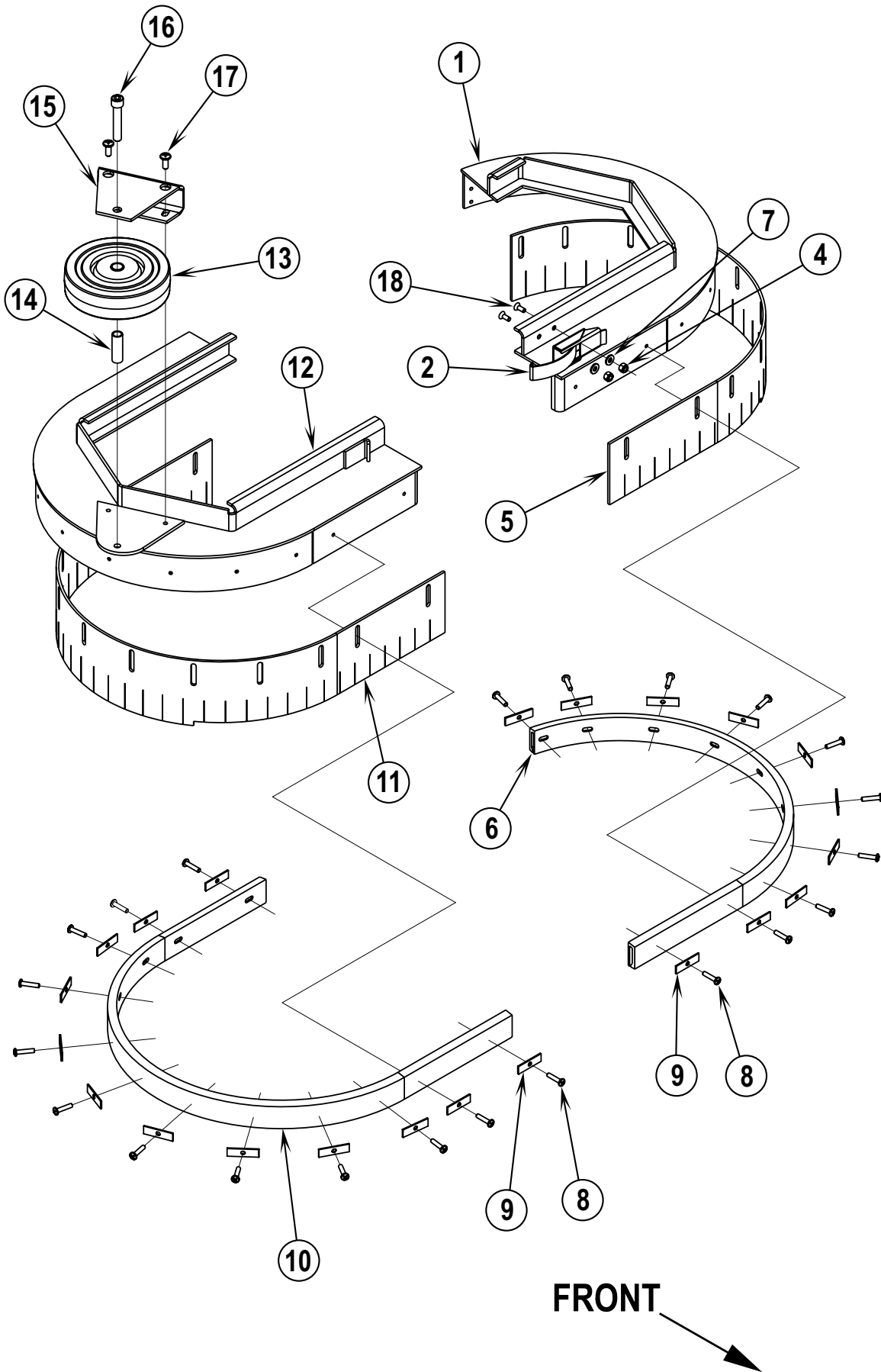
**BRUSH COVER ASSEMBLY**

99-4

14

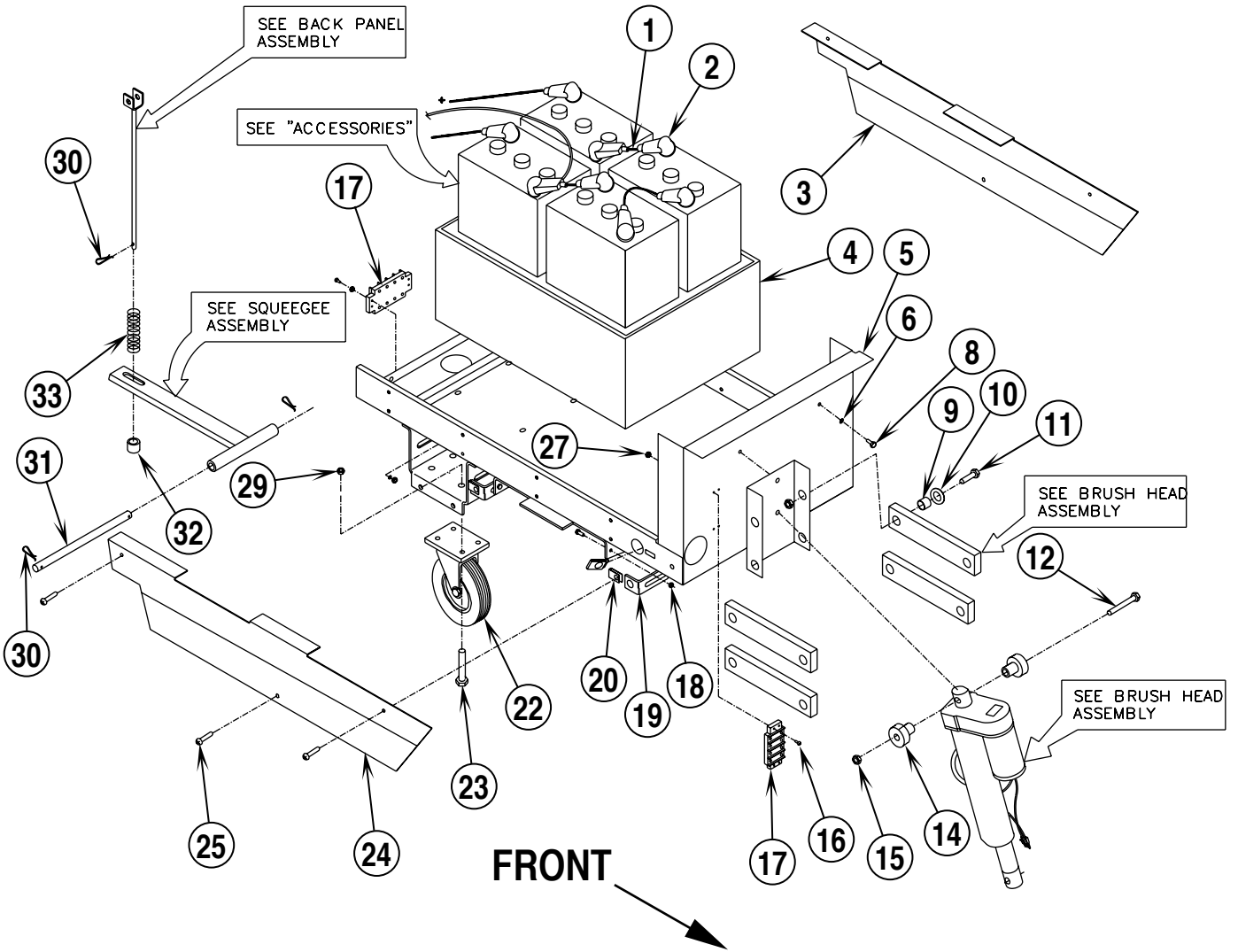
SelectScrub™ 27

05-2



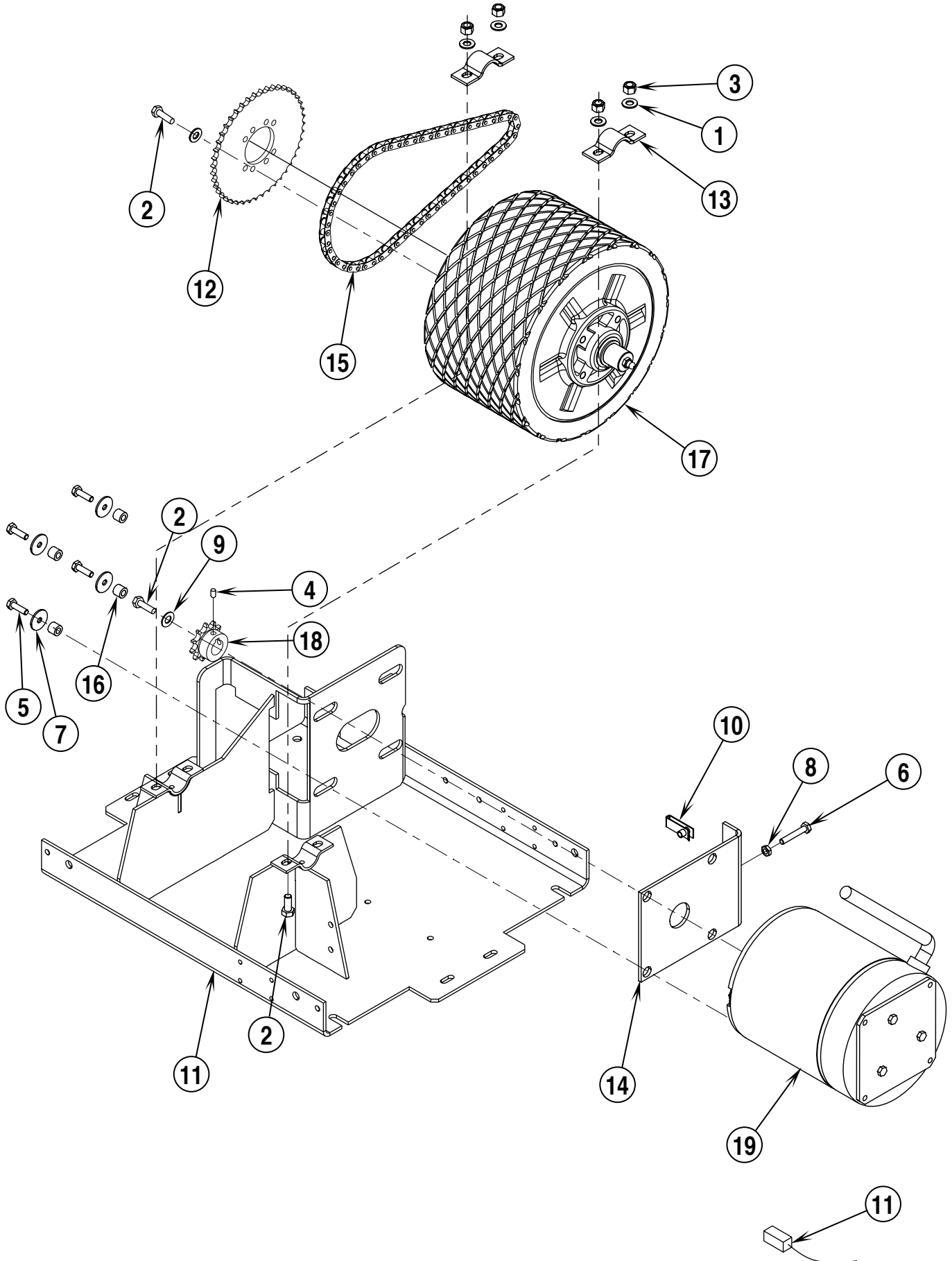
99-4	<b>BRUSH COVER ASSEMBLY</b>		
00-6	<b>SelectScrub™ 27</b>		<b>15</b>

Item	Ref. No.	Qty	Description
	56035284	1	Assy, Brush Cover, Left, Includes Items (1-9, 18)
	56035283	1	Assy, Brush Cover, Right, Includes Items (8-17)
1	56035282	1	Weldment, Brush Cover Left
2	56054306	1	Clamp, Toggle—Black, 1.62 Latch
4	56002768	2	Nut, Hex Nyl Loc 10-24,Zn Plt
5	56056937	1	Guard, Splash Left
6	56056939	1	Channel, Rubber Brush
7	56009011	2	Wsh, Int Shprf #10
8	56003505	22	Scr, Pan Thd Form 10-24 x .875L
9	56052006	22	Strap, Stl—.063 x .437 x 1.50 Long
10	56056938	1	Channel, Vinyl—Brush Cvr,27,Rt
11	56056936	1	Guard, Splash Right
12	56035281	1	Weldment, Brush Cover Rt
13	56161691	1	Wheel, Black—5" OD
14	56056684	1	Spacer, Stl—.500 x 17GA,1.50L,Z
15	56056701	1	Bracket, Bumper Wheel
16	56002133	1	Scr Soc Hd 3/8 -16 x 2.00L
17	56002066	2	Scr Pan Phil 1/4-20 x .62
18	56002178	2	Scr Flt Phil 10-24 x .50



99-4	<b>FRAME ASSEMBLY</b>			
02-1	<b>SelectScrub™ 27</b>			<b>17</b>

Item	Ref. No.	Qty	Description
1	56637492	3	Assy, Wire— 6GA,Blk,10.2L,Rings
2	56372673	8	Boot, Battery Post
*	56478246	8	Cable Tie
3	56056717	1	Skirt, Lower Left
4	56056727	1	Box, Batt—Mach, 27 Auto
5	56035277	1	Weldment—Upper Chassis, 27"
6	56009225	2	Wsh Flt .281ID1.25OD.063T Stl
8	56001836	2	Scr, Hex 1/4-20 x .625L
9	56056473	4	Spacer, Stl—.531 x .750, .218L
10	56001879	4	Wsh, Flt SAE 1/2
11	56001831	4	Scr Hex 1/2-13 x 1.25L
12	56001892	1	Scr Hex 3/8-16 x 2.75L
13	56002770	4	Nut, Hex Nyl Loc 1/2-13,Zn Plt
14	56054502	2	Bushing, Sleeve—.377ID.498OB1.00FLNG
15	56002769	1	Nut, Hex Nyl Loc 3/8-16
16	56002768	8	Nut, Hex Nyl Loc 10-24,Zn Plt
17	56026111	2	Terminal Block—4 Term,50 AMP
18	56002708	4	Nut Hex Nyl Loc 1/4-20,Zn Plt
19	56056715	4	Bracket, Stl Skirts
20	56009289	4	Nut, U Multi-Thread 1/4-20
22	56440450	2	Caster, Swivel—5.0 Dia, 700 lb
23	56002663	8	Scr Hex 3/8-16 x 1.00
24	56056716	1	Skirt, Lower Right
25	56002828	6	Scr Hex Mach Pan HD 1/4-20 x .625L
27	56002674	8	Scr Pan Phil 10-24 x 1.00L
29	56002769	8	Nut, Hex Nyl Loc 3/8-16
30	56002959	3	Pin, Lock—.125 Dia Wire
31	56056977	1	Shaft, Stl—.375 Dia,11.00L
32	56056683	1	Spacer, Stl—.391 x .625, .500L
33	56056618	1	Spring, Comp .845D 3.50L .100WD
34	56002155	4	Scr Hex Hd 1/4-20 x .750L



99-4	<b>CHASSIS ASSEMBLY</b>		
01-2	<b>SelectScrub™ 27</b>		<b>19</b>

Item	Ref. No.	Qty	Description
	56639725	1	Assy, Lower Chassis
1	56001939	8	Wsh, Flt SAE 5/16
2	56002667	9	Scr, Hex Hd 5/16-18 x .75
3	56002701	4	Nut, Hex Nyl Loc 5/16-18
4	56001841	2	Scr, Soc Set Loc 1/4-20 x .50
5	56002960	4	Scr, Hex Loc 1/4-20 x .88
6	56003125	1	Scr, Hex Thd/Hd SS 1/4-20 x 1.50
7	56009060	4	Wsh, Flt SS .260 x 1.00 x .074
8	56009087	1	Nut, Hex Jam 1/4-20
9	56009214	1	Wsh, Flt .406 x .750 x .090
10	56009289	1	Nut, U Multi-Thread 1/4-20
11	56035612	1	Weldment, Base Motor and Wheel
12	56051376	1	Sprocket
13	56056327	2	Clamp, Axle
14	56057833	1	Bracket, Tension - Traction Drive
15	56057899	1	Chain, #40 - 32
16	56100856	4	Spacer
17	56648312	1	Wheel & Axle Assembly
18	56741122	1	Sprocket
19	56026191	1	Motor, 36V Drive





# **KENT**

14600 21st Avenue North  
Plymouth, MN, 55447-3408  
[www.kenturoclean.com](http://www.kenturoclean.com)  
Phone: 800-334-1083  
Fax: 866-261-4779  
©2005 Printed in the U.S.A.