



Electronic Service Manuals

This electronic document is provided as a service to our customers. We do not create the contents of the information contained in this document. Should you have detailed questions pertaining to the information contained in this document, you may contact Michco, or the manufacturer which provided the original information in this electronic deliverable. Michco's only part in this electronic deliverable was the electronic assembly process. By providing this manual on line we are not guaranteeing parts availability.

You may contact Michco through the following methods:

Phone (517) 484-9312 or (800) 331-3339

2011 N. High St. -- Lansing, Michigan -- 48906

Fax: (517) 484-9836

Email: CustServe@Michco.com

Web site: www.Michco.Com

Parts Web site: www.FloorMachineParts.Com

Order Parts on Line at:

www.FloorMachineParts.Com

Directly to Parts & Service:

By Email: **Shop@Michco.com**

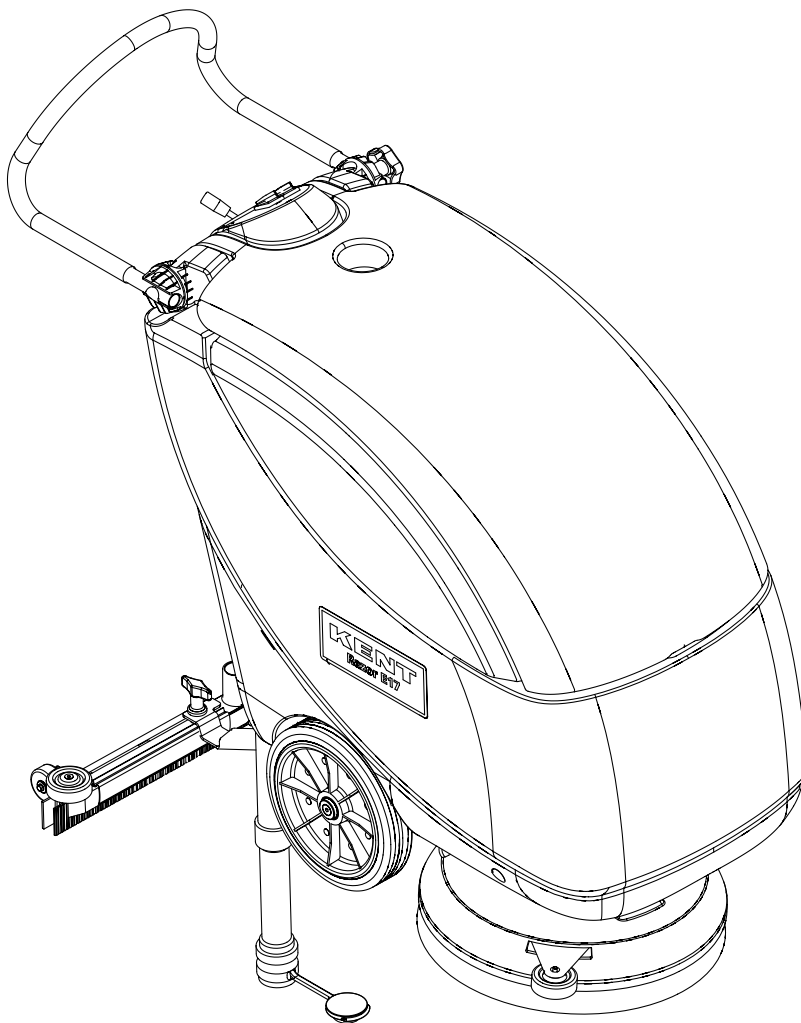
By Fax: (517) 702-2041

By Voice: Use numbers above.

Serving the Cleaning Industry Since 1922

Notice: All copyrighted material remains property of original owners, all trademarks are property of respective owners. Manuals are subject to Manufacturer's reproduction limitations. Originals or reproductions were provided by manufacturers through a request. We make no warranty as to the correctness of information provided in this document and you assume all risk. By placing these manuals on line we are not declaring our corporation to be an manufacturer authorized dealer or provider, please check our web site for authorized manufacturers we represent.

Razor E 17

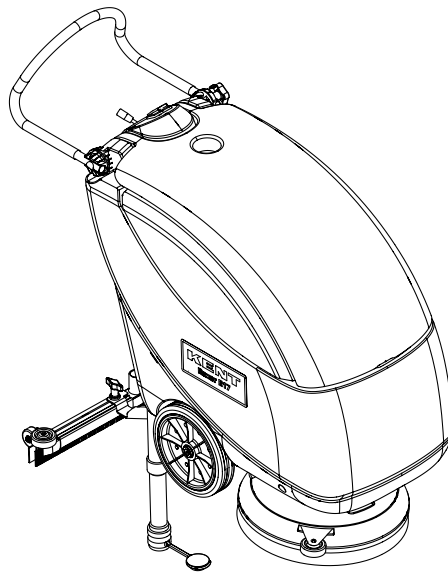


PARTS LIST
KENT MODEL: 908 7113 020

KENT

Simple. Clean.

909 6312 000(3)2007-09

**DESCRIPTION****PLAN**

SOLUTION TANK	2-3
VACUUM SYSTEM	4-5
RECOVERY TANK	6-7
HANDLE ASSEMBLY	8-9
CONTROL PANEL ASSEMBLY	10-11
SOLUTION SYSTEM	12-13
SQUEEGEE ASSEMBLY	14-15
BRUSH SYSTEM	16-17
WIRING SYSTEM	18-19
ACCESSORIES	20-23
RECOMMENDED SPARE PARTS	24
WIRING DIAGRAM	25

WHEN ORDERING PARTS

- * Use the 8, 9 or 10 digit numbers from the "Ref. No." columns in this parts list.
- * Specify the model and serial number of the machine.
- * Use the space below to record the model and serial number for future reference.

Model _____ Serial No. _____

*** = Optional**

= Modified item No. or New item No.

[] = Not shown

xxxxxx= Contained in a Kit

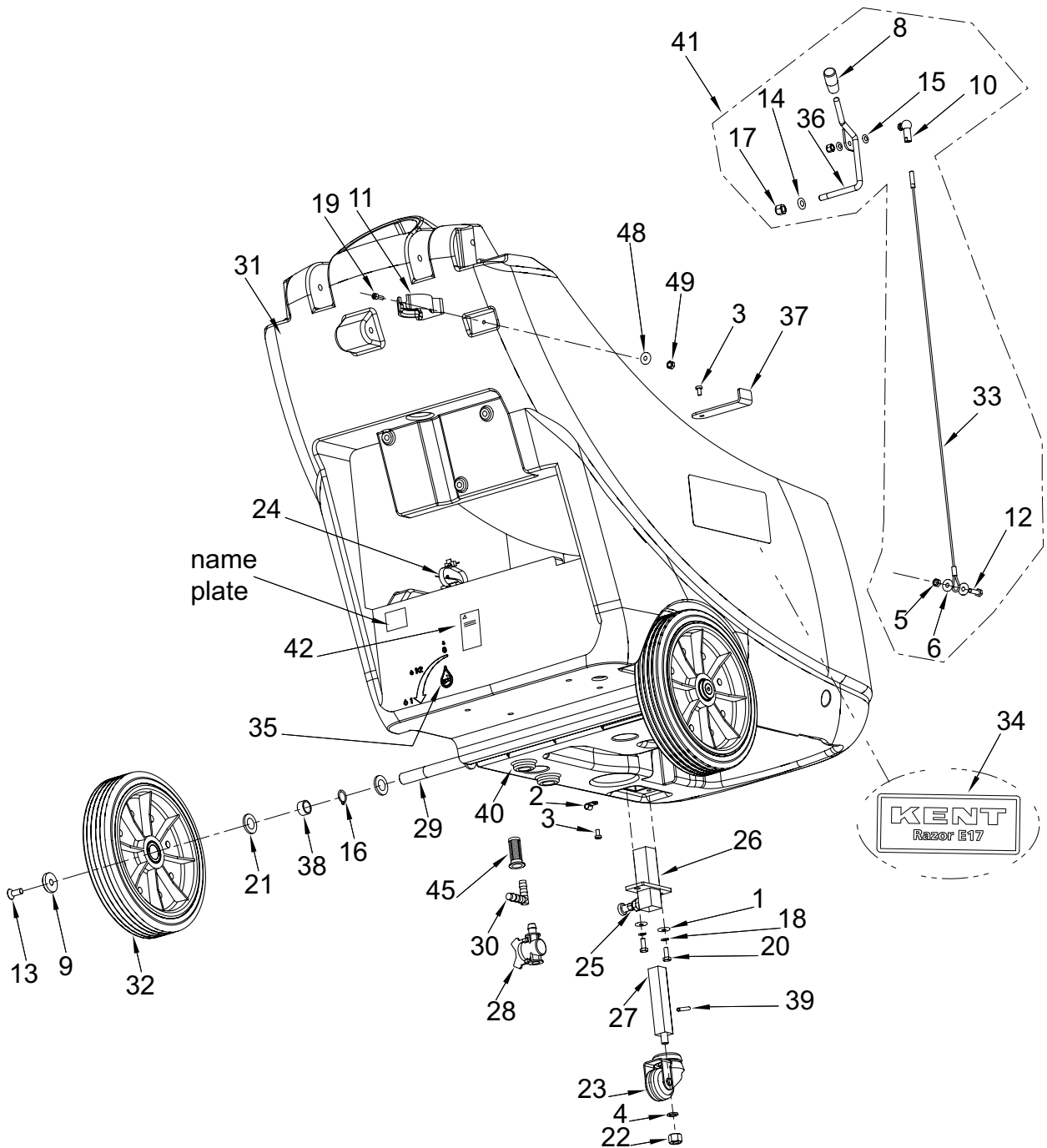
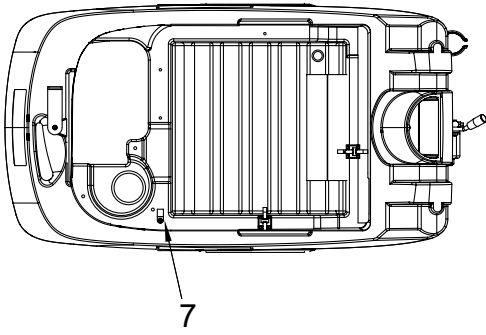
SOLUTION TANK

2005-12

2

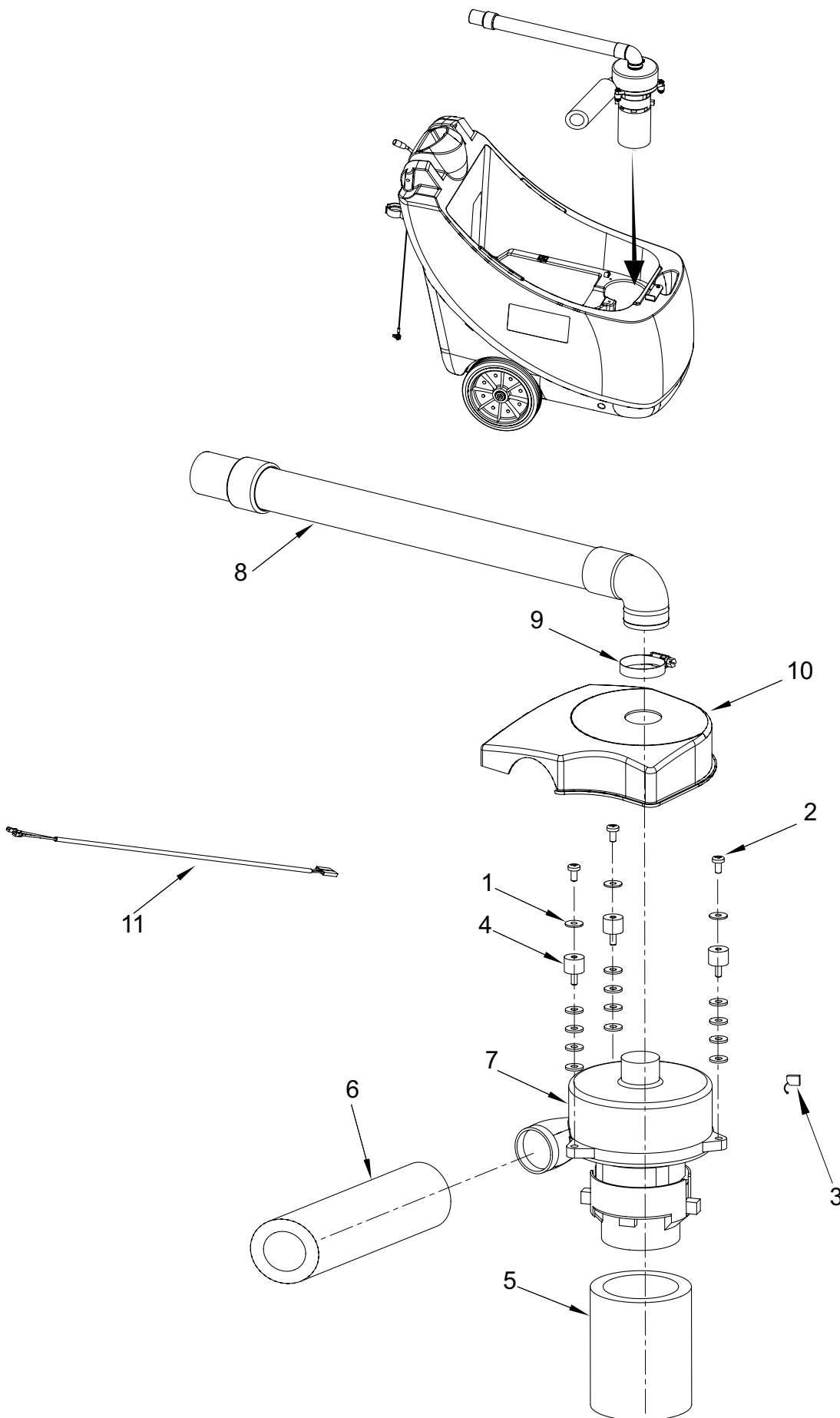
Razor E 17

2007-05



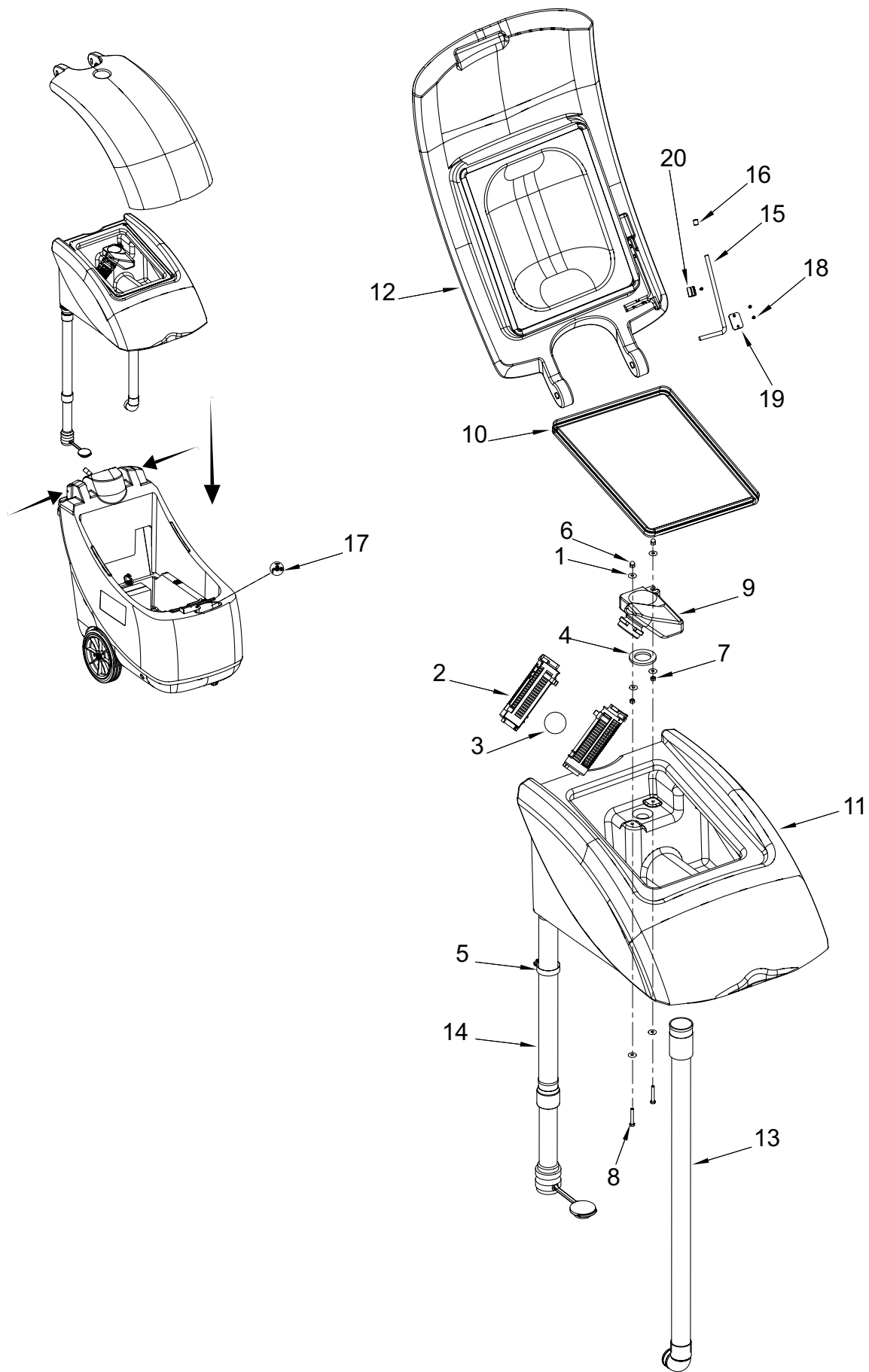
2005-12	SOLUTION TANK			
2007-09	Razor E 17			3

ITEM NO.	REF. NO.	QTY	DESCRIPTION
1	xxxxxxxxxx	2	WASHER FLAT 6X18 (SOLUTION TANK HARDWARE KIT)
2	xxxxxxxxxx	1	CLAMP (SOLUTION TANK HARDWARE KIT)
3	xxxxxxxxxx	6	SCREW M5X10 (SOLUTION TANK HARDWARE KIT)
4	xxxxxxxxxx	1	WASHER FLAT 11X16 (SOLUTION TANK HARDWARE KIT)
5	xxxxxxxxxx	1	NUT HEX. LOW SELF LOCK M6 SS (KIT SQUEEGEE LIFT CABLE)
6	xxxxxxxxxx	2	WASHER FLAT 6X18 SS (KIT SQUEEGEE LIFT CABLE)
7#	L08603845	1	CABLE CLAMP
8	xxxxxxxxxx	1	KNOB (KIT SQUEEGEE LIFT CABLE)
9#	L08812392	2	SPACER
10	xxxxxxxxxx	1	BALL JOINT (KIT SQUEEGEE LIFT CABLE)
11	xxxxxxxxxx	1	HOSE CLAMP (SOLUTION TANK HARDWARE KIT)
12	xxxxxxxxxx	1	SCREW HEX HD M6X20 SS (KIT SQUEEGEE LIFT CABLE)
13	xxxxxxxxxx	2	SCREW M8X20 (SOLUTION TANK HARDWARE KIT)
14	xxxxxxxxxx	1	WASHER FLAT 8X17 (KIT SQUEEGEE LIFT CABLE - SOLUTION TANK HARDWARE KIT)
15	xxxxxxxxxx	2	WASHER FLAT 6X12,5 (KIT SQUEEGEE LIFT CABLE - SOLUTION TANK HARDWARE KIT)
16	xxxxxxxxxx	2	RETAINING RING (SOLUTION TANK HARDWARE KIT)
17	xxxxxxxxxx	1	NUT HEX. SELF LOCK M8 (KIT SQUEEGEE LIFT CABLE - SOLUTION TANK HARDWARE KIT)
18	xxxxxxxxxx	2	WASHER SPLIT (SOLUTION TANK HARDWARE KIT)
19	xxxxxxxxxx	1	SCREW M5X16 (SOLUTION TANK HARDWARE KIT)
20	xxxxxxxxxx	2	SCREW HEX HD M6X16 (SOLUTION TANK HARDWARE KIT)
21	xxxxxxxxxx	6	WASHER FLAT 16X30 (SOLUTION TANK HARDWARE KIT)
22	xxxxxxxxxx	1	NUT HEX. SELF LOCK M10 (SOLUTION TANK HARDWARE KIT)
23	909 5560 000	1	WHEEL
24	145 0524 000	2	CLAMP
25	909 5641 000	1	INDEXING PLUNGER
26	909 5649 000	1	SUPPORT
27	909 5658 000	1	SUPPORTING ROD
28	909 5696 000	1	VALVE
29	909 5748 000	1	WHEELS SHAFT
30	909 5895 000	1	ELBOW 90° Ø10
31	909 6294 000	1	SOLUTION TANK
32A	9096915000	2	WHEEL
33	xxxxxxxxxx	1	SQUEEGEE LIFTING CABLE (KIT SQUEEGEE LIFT CABLE)
34	xxxxxxxxxx	2	DECAL KENT RAZOR E17 (KIT DECALS)
35	xxxxxxxxxx	1	DECAL ECO SOLUTION (KIT DECALS)
36	xxxxxxxxxx	1	SQUEEGEE LIFTING LEVER (KIT SQUEEGEE LIFT CABLE)
37	909 6304 000	1	BRACKET BRUSH SUPPORT
38	xxxxxxxxxx	2	SPACER (SOLUTION TANK HARDWARE KIT)
39	909 6441 000	1	PIN 3X20
40	909 5286 000	2	GASKET
41	909 6437 000	1	KIT SQUEEGEE LIFT CABLE (5,6,8,10,12,14,15,17,33,36)
42	xxxxxxxxxx	1	DECAL WARNING (KIT DECALS)
[43]	909 6438 000	1	SOLUTION TANK HARDWARE KIT (1,2,3,4,11,13,14,15,16,17,18,19,20,21,22,38,48,49)
[44]	909 6463 000	1	KIT DECALS KENT RAZOR E 17 (DECAL WARNING, DECAL ECO SOLUTION, DECAL KENT E17, WATER FAUCET - PAG. 6 POS. 17, DECAL BRUSH ADJUSTING - PAG. 16 POS. 29)
45*A	9096916000	1	FILTER
[46]	909 6226 000	1	RUBBER SHOCK ABSORBER KIT
[47]	909 6227 000	1	INSTALLATION INSTRUCTION FOR RUBBER SHOCK ABSORBER KIT
48	xxxxxxxxxx	1	WASHER M52 UNI6592 (SOLUTION TANK HARDWARE KIT)
49	xxxxxxxxxx	1	NUT SELF L. M5 UNI7474 (SOLUTION TANK HARDWARE KIT)



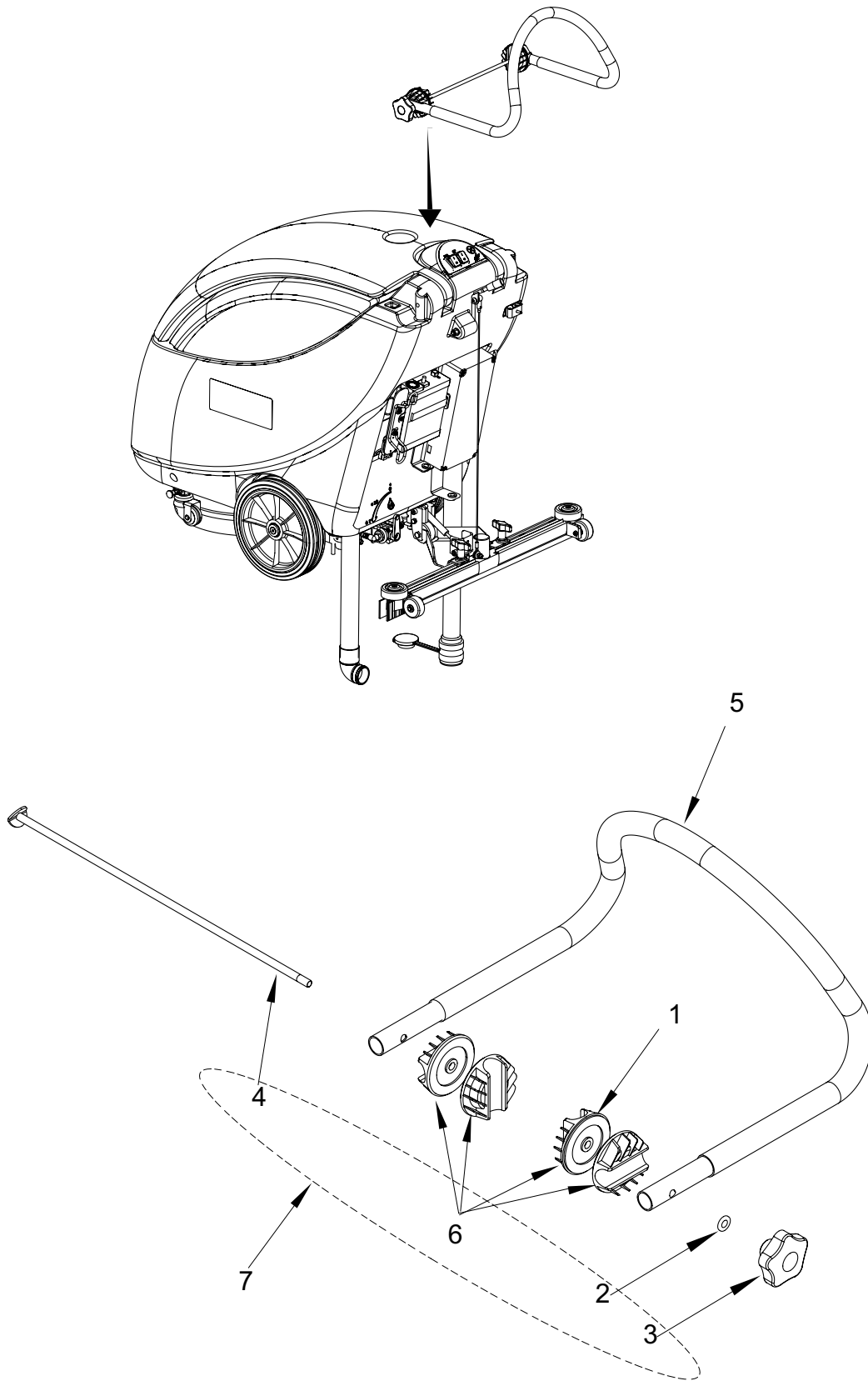
2005-12	VACUUM SYSTEM			
2007-05	Razor E 17			5

ITEM NO.	REF. NO.	QTY	DESCRIPTION
1	xxxxxxxxxx	15	WASHER FALT 6X18 (VACUUM SYSTEMS HARDWARE KIT)
2	xxxxxxxxxx	3	SCREW CYL HD M6X12 (VACUUM SYSTEMS HARDWARE KIT)
3	909 5719 000	2	CARBON BRUSH
4	909 5198 000	3	VIBRATION DAMPING M6
5	909 5564 000	1	PIPE ACOUSTIC INSULATION
6	909 5565 000	1	PIPE ACOUSTIC INSULATION
7	909 5979 000	1	KIT VACUUM MOTOR
8	909 6290 000	1	VACUUM MOTOR HOSE
9	909 5579 000	1	HOSE CLAMP
10	909 5972 000	1	MOTOR PROTECTION
11	909 5859 000	1	CABLE VACUUM MOTOR
[12]	909 5987 000	1	VACUUM SYSTEMS HARDWARE KIT (1,2)



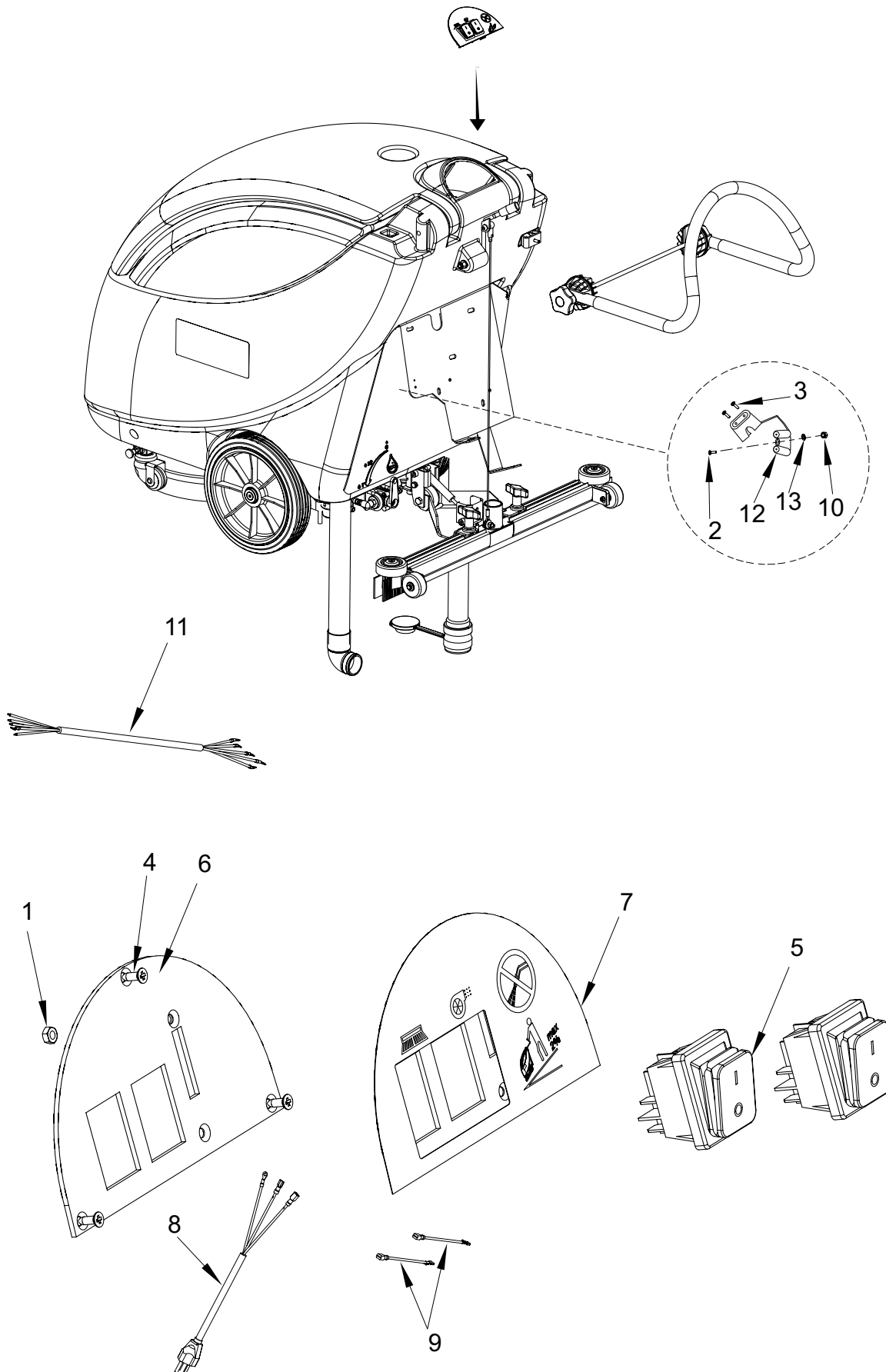
2005-12	RECOVERY TANK			
2007-09	Razor E 17			7

ITEM NO.	REF. NO.	QTY	DESCRIPTION
1	xxxxxxxxxx	6	WASHER FLAT 6X18 SS (RECOVERY TANK HARDWARE KIT)
2	56324497	2	FLOAT CAGE
3	56391690	1	FLOATING BALL
4#	L08812968	1	GASKET
5	xxxxxxxxxx	1	HOSE CLAMP 14/32-52 (RECOVERY TANK HARDWARE KIT)
6	xxxxxxxxxx	2	NUT CAP M6 SS (RECOVERY TANK HARDWARE KIT)
7	xxxxxxxxxx	2	NUT HEX M6 SS (RECOVERY TANK HARDWARE KIT)
8	xxxxxxxxxx	2	SCREW HEX HD M6X40 SS (RECOVERY TANK HARDWARE KIT)
9	909 6199 000	1	HOLDER, FLOAT CAGE
10	909 6268 000	1	GASKET 1370 MM
11	909 6272 000	1	RECOVERY TANK
12	909 6273 000	1	TANK COVER
13	909 6301 000	1	VACUUM HOSE
14#	L08812869	1	DRAIN HOSE
15	909 6762 000	1	COVER FIXING LEVER
16#	L08603935	1	BLACK CAP
17	xxxxxxxxxx	1	DECAL WATER FAUCET (KIT DECALS)
18	145 1756 000	3	SCREW 2,9X9,5 SS
19	909 6473 000	1	LEVER FIXING PLATE
20	909 6575 000	1	LEVER FIXING CLAMP
[21]	909 5988 000	1	RECOVERY TANK HARDWARE KIT (1,5,6,7,8)



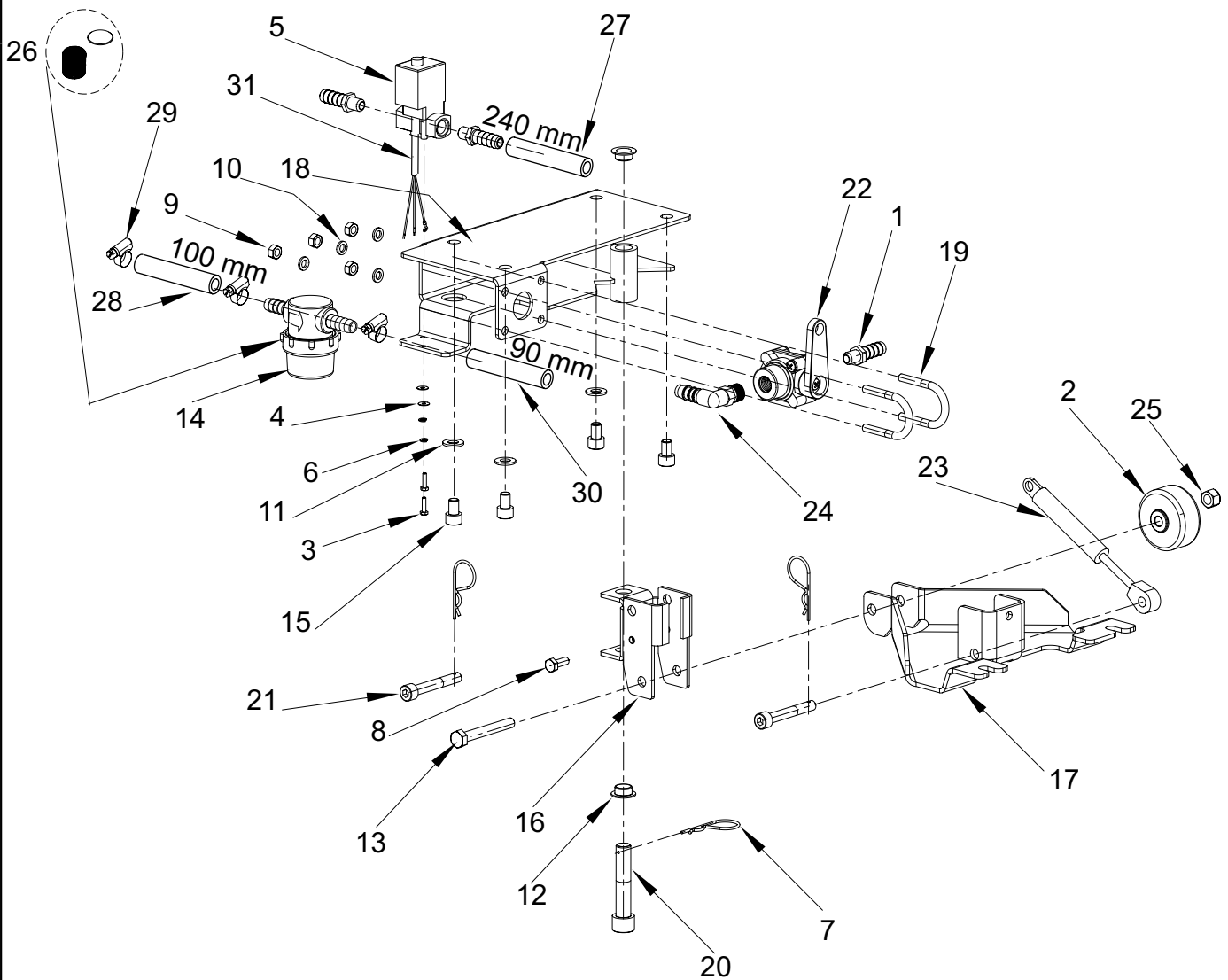
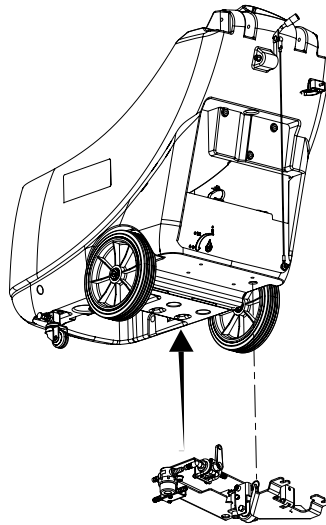
2005-12	HANDLE ASSEMBLY			
2007-05	Razor E 17			9

ITEM NO.	REF. NO.	QTY	DESCRIPTION
1	xxxxxxxxxx	4	RATCHET HANDLE ADJUSTER (HANDLE ADJUSTER KIT)
2	xxxxxxxxxx	1	WASHER FLAT 8X17 (HANDLE ADJUSTING KIT)
3	xxxxxxxxxx	1	KNOB (HANDLE ADJUSTING KIT)
4	xxxxxxxxxx	1	PIVOT, HANDLE BAR (HANDLE ADJUSTING KIT)
5	909 6274 000	1	HANDLE BAR
6	909 5099 000	1	HANDLE ADJUSTER KIT (1)
7	909 5701 000	1	HANDLE ADJUSTING KIT (2,3,4,6)



2005-12	CONTROL PANEL ASSEMBLY			
2007-09	Razor E 17			11

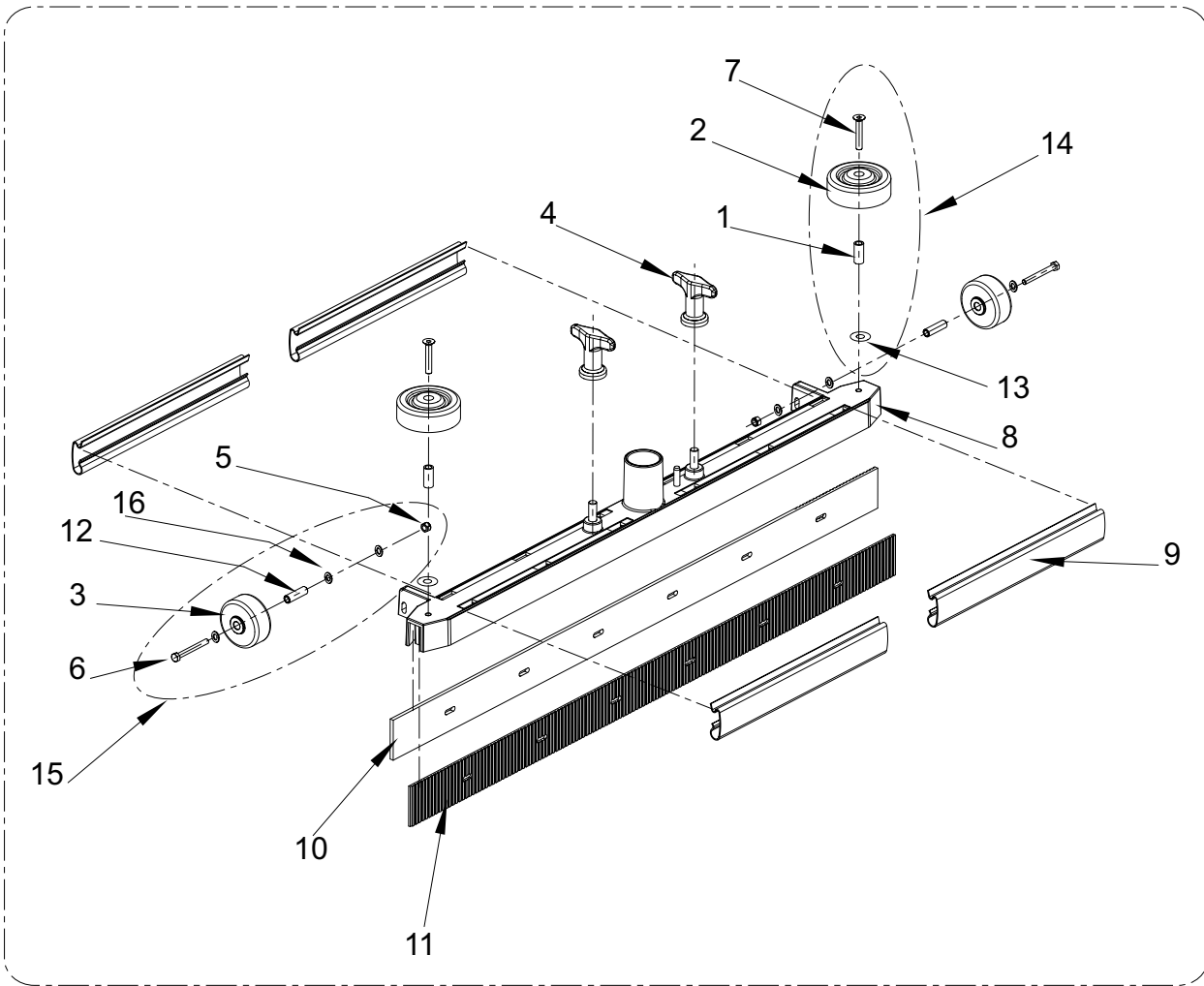
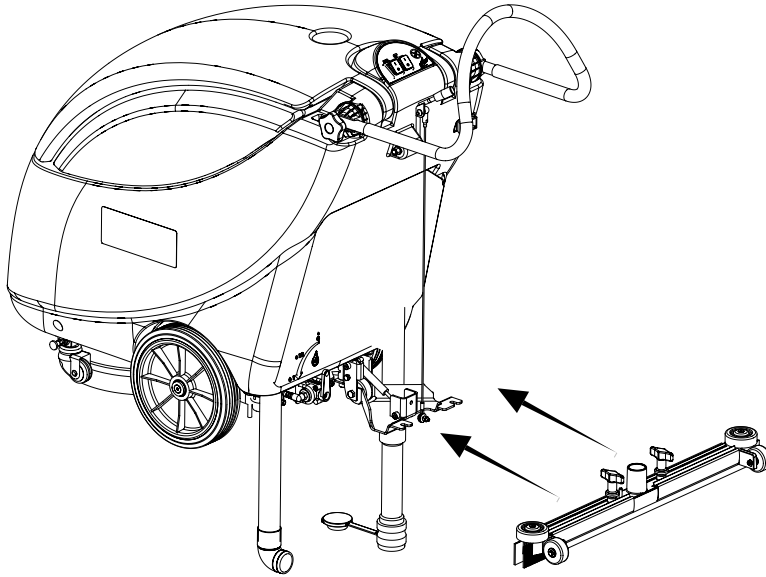
ITEM NO.	REF. NO.	QTY	DESCRIPTION
1#	L08603720	1	NUT HEX SELF LOCK M4 SS
2	33004820	1	SCREW M4X12 UNI6107
3	145 5873 000	2	SCREW M4,2X19
4	145 1756 000	3	SCREW M2,9X9,5 SS
5	909 5584 000	2	SWITCH
6	909 6275 000	1	CONTROL PANEL
7	909 6287 000	1	DECAL CONTROL PANEL
8	909 6307 000	1	POWER CABLE
9#	L08812916	2	CABLE BRIDGE
10	33005500	1	NUT HEX M4
11	909 6308 000	1	CONTROL PANEL CABLE
12#	L08338600	1	CLAMP
13	33005862	1	WASHER M4 UNI8842A



2005-12	SOLUTION SYSTEM			
2007-09	Razor E 17			13

ITEM NO.	REF. NO.	QTY	DESCRIPTION
1	xxxxxxxxxx	3	RUBBER HOLDER (SOLENOID VALVE KIT)
2#	L08603665	1	WHEEL
3	xxxxxxxxxx	2	SCREW HEX HD M3X12 SS (SOLUTION SYSTEMS HARDWARE KIT)
4	xxxxxxxxxx	2	WASHER FLAT 3X9 SS (SOLUTION SYSTEMS HARDWARE KIT)
5#	L08812959	1	SOLENOID VALVE (SOLENOID VALVE KIT)
6	xxxxxxxxxx	2	WASHER SPLIT 3 SS (SOLUTION SYSTEMS HARDWARE KIT)
7	xxxxxxxxxx	3	SPLIT PIN (SOLUTION SYSTEMS HARDWARE KIT)
8	xxxxxxxxxx	1	SCREW HEX HD M6X16 SS (SOLUTION SYSTEMS HARDWARE KIT)
9	xxxxxxxxxx	4	NUT HEX M6 SS (SOLUTION SYSTEMS HARDWARE KIT)
10	xxxxxxxxxx	4	WASHER FLAT 6X12,5 SS (SOLUTION SYSTEMS HARDWARE KIT)
11	xxxxxxxxxx	3	WASHER FLAT 8X17 SS (SOLUTION SYSTEMS HARDWARE KIT)
12	146 0549 000	2	BUSHING
13	xxxxxxxxxx	1	SCREW HEX HD M8X55 SS (SOLUTION SYSTEMS HARDWARE KIT)
14B	9097166000	1	KIT WATER FILTER COMPLETE (SOLENOID VALVE KIT)
15	xxxxxxxxxx	4	SCREW M8X12 (SOLUTION SYSTEMS HARDWARE KIT)
16A	909 5566 000	1	BRACKET
17A	909 5567 000	1	SUPPORT
18	909 5571 000	1	PLATE
19	xxxxxxxxxx	2	CLAMP (SOLUTION SYSTEMS HARDWARE KIT)
20	xxxxxxxxxx	1	SCREW M12X60 SS (SOLUTION SYSTEMS HARDWARE KIT)
21	xxxxxxxxxx	2	SCREW M8X55 SS (SOLUTION SYSTEMS HARDWARE KIT)
22	xxxxxxxxxx	1	VALVE (SOLENOID VALVE KIT)
23	909 5637 000	1	SPRING
24	xxxxxxxxxx	1	RUBBER HOLDER (SOLENOID VALVE KIT)
25	xxxxxxxxxx	1	NUT HEX LOW SELF LOCK M8 SS (SOLUTION SYSTEMS HARDWARE KIT)
26B#	L08603893	1	KIT FILTER NET WITH GASKET
27	xxxxxxxxxx	1	HOSE Ø10 240 MM (SOLENOID VALVE KIT)
28	xxxxxxxxxx	1	HOSE Ø10 100 MM (SOLENOID VALVE KIT)
29	xxxxxxxxxx	3	CLAMP 8/ 9-16 (SOLENOID VALVE KIT)
30	xxxxxxxxxx	1	HOSE Ø10 90 MM (SOLENOID VALVE KIT)
31	909 5860 000	1	SOLENOID CABLE
[32]#	L08603885	1	CONNECTOR FOR SOLENOID VALVE
[33]	909 5980 000	1	SOLENOID VALVE KIT (1,5,14,22,24,27,28,29,30)
[34]	909 5990 000	1	SOLUTION SYSTEMS HARDWARE KIT (3,4,6,7,8,9,10,11,13,15,19,20,21,25)

A: TSB IT 2007-015
B: TSB IT 2007-021



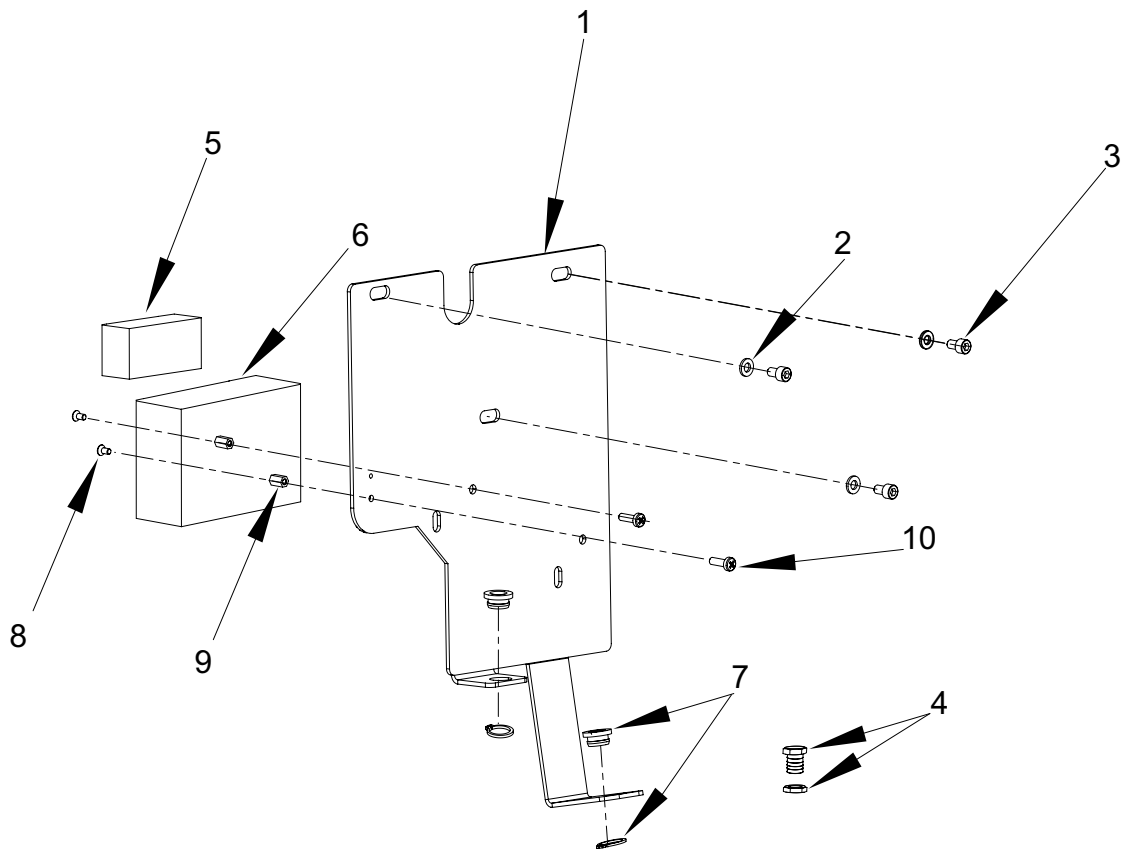
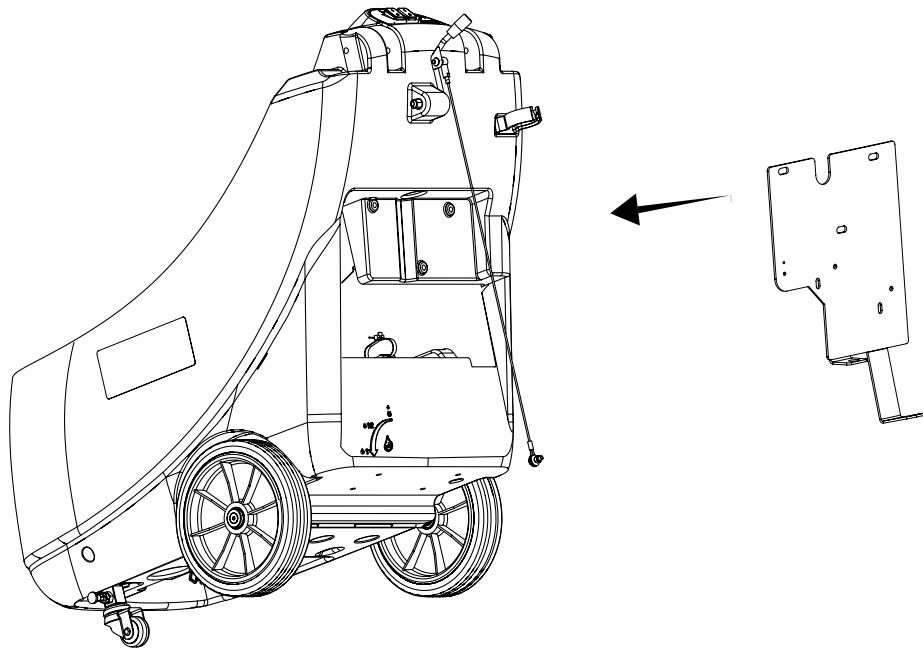
2005-12	SQUEEGEE ASSEMBLY			
2007-09	Razor E 17			15

ITEM NO.	REF. NO.	QTY	DESCRIPTION
1	xxxxxxxxxx	2	SPACER (KIT SQUEEGEE BUMPER ROLLER - KIT SQUEEGEE COMPLETE - SQUEEGEE SYSTEM HARDWARE KIT)
2	xxxxxxxxxx	2	BUMPER ROLLER (KIT SQUEEGEE BUMPER ROLLER - KIT SQUEEGEE COMPLETE - SQUEEGEE SYSTEM HARDWARE KIT)
3	xxxxxxxxxx	2	SQUEEGEE WHEEL (KIT SQUEEGEE WHEEL - KIT SQUEEGEE COMPLETE)
4	xxxxxxxxxx	2	NUT THUMB (KIT SQUEEGEE COMPLETE - SQUEEGEE SYSTEM HARDWARE KIT)
5	xxxxxxxxxx	2	NUT HEX LOW SELFLOCK M5 SS (KIT SQUEEGEE WHEEL - KIT SQUEEGEE COMPLETE - SQUEEGEE SYSTEM HARDWARE KIT)
6	xxxxxxxxxx	2	SCREW HEX HD M5X45 SS (KIT SQUEEGEE WHEEL, KIT SQUEEGEE COMPLETE - SQUEEGEE SYSTEM HARDWARE KIT)
7#	xxxxxxxxxx	2	SCREW M6X35(KIT SQUEEGEE BUMPER ROLLER - KIT SQUEEGEE COMPLETE - SQUEEGEE SYSTEM HARDWARE KIT)
8	909 5554 000	1	SQUEEGEE WELDMENT (KIT SQUEEGEE COMPLETE)
9	909 5555 000	4	SPRING (KIT SQUEEGEE COMPLETE)
10	909 5568 000	1	BLADE REAR (KIT SQUEEGEE COMPLETE)
11	909 5569 000	1	BLADE FRONT (KIT SQUEEGEE COMPLETE)
12	xxxxxxxxxx	2	SPACER (KIT SQUEEGEE WHEEL- SQUEEGEE SYSTEM HARDWARE KIT- KIT SQUEEGEE COMPLETE)
13	xxxxxxxxxx	2	WASHER FLAT 6X18 SS (KIT SQUEEGEE BUMPER ROLLER - KIT SQUEEGEE COMPLETE)
14#	L08603880	1	KIT SQUEEGEE BUMPER ROLLER (1,2,7,13)
15	909 5703 000	1	KIT SQUEEGEE WHEEL (3,5,6,12,16)
16	xxxxxxxxxx	6	WASHER FLAT 5X15 SS (KIT SQUEEGEE WHEEL - KIT SQUEEGEE COMPLETE - SQUEEGEE ASSEMBLY HARDWARE KIT)
17	909 5702 000	1	KIT SQUEEGEE COMPLETE (1,2,3,4,5,6,7,8,9,10,11,12,13, 16)
[18]	909 5991 000	1	SQUEEGEE ASSEMBLY HARDWARE KIT (1,2,4,5,6,7,12,13,16)
[19]*	909 6467 000	1	KIT CURVED SQUEEGEE COMPLETE TSB IT 2005 - 005
[20]	909 6450 000	1	INSTALLATION INSTRUCTION FOR KIT CURVED SQUEEGEE

2005-12	BRUSH SYSTEM			
2007-09	Razor E 17			17

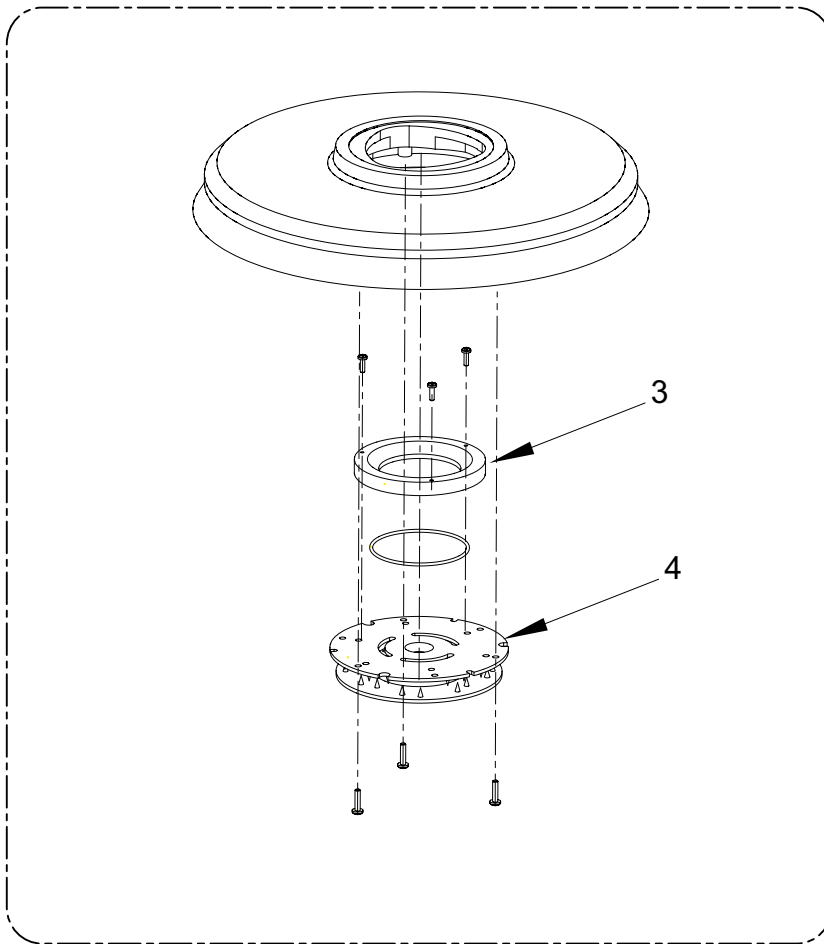
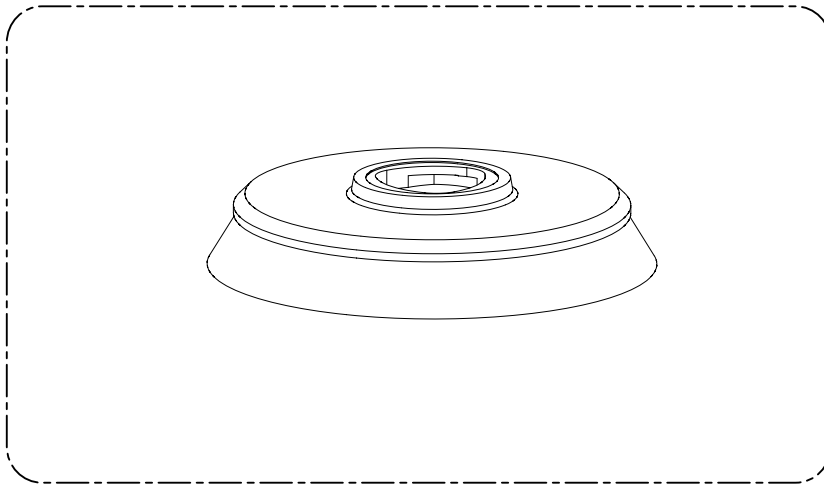
ITEM NO.	REF. NO.	QTY	DESCRIPTION
1#	xxxxxxxxxx	1	NUT (BRUSH SYSTEM HARDWARE KIT)
2A	9097184000	1	VIBRATION DAMPING
3	909 5480 000	1	REDUCTION GEAR
4	xxxxxxxxxx	1	BUMPER ROLLER (BUMPER ROLLER KIT)
5	xxxxxxxxxx	1	SPACER (BUMPER ROLLER KIT)
6	909 5482 000	1	ELECTRIC MOTOR 550W 115V
7	xxxxxxxxxx	1	TAB (BRUSH SYSTEM HARDWARE KIT)
8#	L08812891	1	BRUSH Ø430 PROLENE PPL
8*	909 5691 000	1	BRUSH Ø430 MIDLITE GRIT180
8*	909 5692 000	1	BRUSH Ø430 MIDRIT 240
8*	909 5693 000	1	BRUSH Ø430 PROLITE
8*	909 5694 000	1	BRUSH Ø430 UNION MIX
9A	xxxxxxxxxx	1	SCREW HEX HD M8X12 SS (BRUSH SYSTEM HARDWARE KIT)
10	xxxxxxxxxx	2	SCREW M12X55 (BRUSH SYSTEM HARDWARE KIT)
11	xxxxxxxxxx	1	BRUSH MOTOR CABLE
12	xxxxxxxxxx	1	WASHER FLAT 6X18 (BRUSH SYSTEM HARDWARE KIT-BUMPER ROLLER KIT)
13	xxxxxxxxxx	1	SCREW M6X40 (BRUSH SYSTEM HARDWARE KIT-BUMPER ROLLER KIT)
14	xxxxxxxxxx	4	SCREW HEX HD M6X16 SS (BRUSH SYSTEM HARDWARE KIT)
15	xxxxxxxxxx	2	NUT HEX M6 SS (BRUSH SYSTEM HARDWARE KIT)
16	xxxxxxxxxx	2	SCREW M3X6 (BRUSH SYSTEM HARDWARE KIT)
17	909 5550 000	1	BRUSH PROTECTION
18	909 6269 000	1	PLATE BRUSH SUPPORT
19	909 6270 000	1	BRACKET
20	909 5558 000	2	SPRING
21	909 5559 000	2	BUSHING
22	909 5585 000	1	BRUSH DECK ADJUSTER BLOCK
23	909 5586 000	1	PLATE
24	909 6217 000	1	HOSE COPPER
25	909 5472 000	1	REDUCTIONGEARMOTOR 550W 115V
26	xxxxxxxxxx	1	SCREW M6X30 UNI5931 (BRUSH SYSTEM HARDWARE KIT)
27#	L08812589	1	POLYG.HOLDER W.FLANGE KIT
28	909 5622 000	1	HOSE Ø10 640 MM
29	xxxxxxxxxx	1	DECAL BRUSH ADJUSTING (KIT DECALS)
30	xxxxxxxxxx	1	NUT HEX M6 SELFLOCK. LOW (BUMPER ROLLER KIT)
31	xxxxxxxxxx	2	SCREW HEX HD M4X8 (BRUSH SYSTEM HARDWARE KIT)
32	xxxxxxxxxx	2	WASHER FLAT 4X12 (BRUSH SYSTEM HARDWARE KIT)
33	909 5481 000	1	CAPACITOR 450V 40MF
34	909 5106 000	1	CAPACITOR 400V 65MF
[35]	909 5992 000	1	BRUSH SYSTEM HARDWARE KIT (1,7,9,10,12,13,14,15,16,26,31,32)
36	909 5397 000	1	BUMPER ROLLER KIT (4,5,12,13,30)

A:TSB IT 2007-018



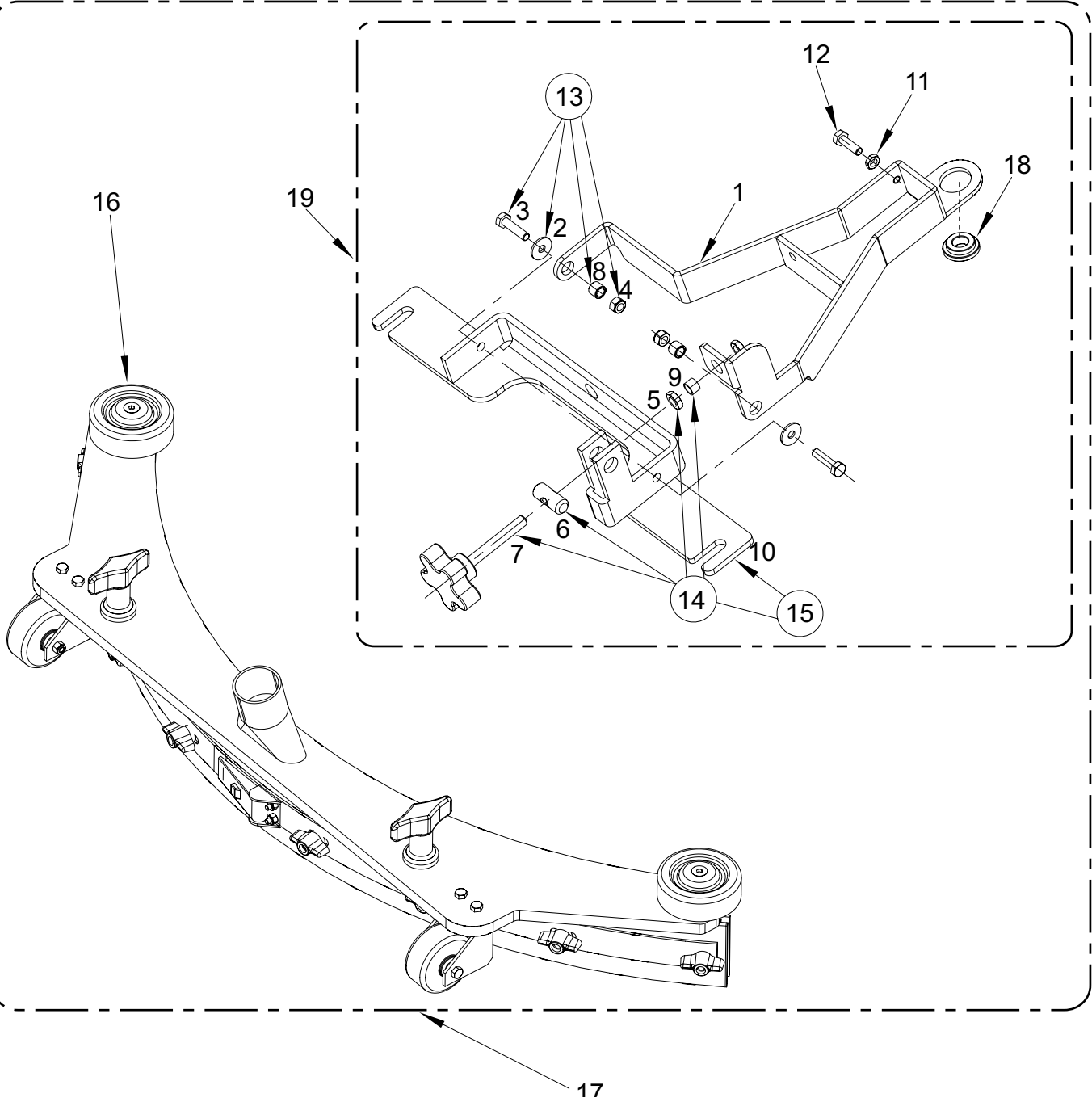
2005-12	WIRING SYSTEM		
2007-09	Razor E 17		19

ITEM NO.	REF. NO.	QTY	DESCRIPTION
1	909 6303 000	1	ELECTRICAL COMPONENTS FITTING PLATE
2	33005915	3	WASHER M8 UNI6592
3	33004364	3	SCREW M8X16 UNI5931
4	909 5648 000	4	CLAMP CABLE WITH NUT
5	909 5650 000	1	TERMINAL BOARD 5 STUDS
6	909 5868 000	1	ELECTRIC BOX
7	909 6062 000	2	KIT BUSH CABLE GIUDE AND RETAINING RING
8	909 6474 000	2	SCREW CYL HD M6X16 NYLON
9	56325552	2	SPACER
10	33004342	2	SCREW M6X10 UNI5931
[11]#	L08603912	1	SUPPRESSION CAPACITOR
[12]	909 5791 000	1	CABLE EXTENSION



2005-12	ACCESSORIES			
2007-09	Razor E 17			21

ITEM NO.	REF. NO.	QTY	DESCRIPTION
1*	909 5691 000	1	BRUSH Ø430 MIDLITE GRIT180
1*	909 5692 000	1	BRUSH Ø430 MIDRIT 240
1*	909 5693 000	1	BRUSH Ø430 PROLITE
1*	909 5694 000	1	BRUSH Ø430 UNION MIX
2*	909 5695 000	1	PAD HOLDER 410
3#	L08603966	1	RING NYLON
4#	L08837030	1	RETAINER PAD



2005-12

ACCESSORIES

2007-09

Razor E 17

23

Item No.	Ref. No.	Qty	Description
1	909 5914 000	1	BRACKET
2	xxxxxxxxxx	2	WASHER FLAT (FIXTURE NOZZLE HOLDER LEFT/RIGHT KIT)
3	xxxxxxxxxx	2	SCREW HEX HD M6X25 (FIXTURE NOZZLE HOLDER LEFT/RIGHT KIT)
4	xxxxxxxxxx	2	NUT HEX LOW SELFLOCK M6 (FIXTURE NOZZLE HOLDER LEFT/RIGHT KIT)
5	xxxxxxxxxx	2	NUT HEX LOW M8 (ADJUSTMENT SCREW KIT)
6	xxxxxxxxxx	1	PIN (ADJUSTMENT SCREW KIT)
7	xxxxxxxxxx	1	KNOB (ADJUSTMENT SCREW KIT)
8	xxxxxxxxxx	2	SPACER (FIXTURE NOZZLE HOLDER LEFT/RIGHT KIT)
9	xxxxxxxxxx	1	SPACER (ADJUSTMENT SCREW KIT)
10	xxxxxxxxxx	1	SQUEEGEE LOWER HOLDER (KIT SQUEEGEE HOLDER)
11	33005531	1	NUT HEX LOW M6
12	33003975	1	SCREW HEX M6X20
13	56325682	1	FIXTURE LEFT/RIGHT KIT (2,3,4,8)
14	56325684	1	ADJUSTMENT SCREW KIT (5,6,7,9)(KIT SQUEEGEE HOLDER)
15#	L08603876	1	KIT SQUEEGEE HOLDER (14,10)
16*#	L08603878	1	KIT SQUEEGEE CURVED
17*	909 6467 000	1	KIT CURVED SQUEEGEE COMPLETE
18	909 5915 000	1	SPACER
19	909 6047 000	1	KIT SQUEEGEE SUPPORT (1,11,12,13,15,22)
[20]	56393285	1	SQUEEGEE BLADE FRONT
[21]	56325685	1	SQUEEGEE BLADE REAR
[20]*#	L08837041	1	KIT OIL RESISTANT CURVED SQUEEGEE BLADES
[21]	909 6450 000	1	INSTALLATION INSTRUCTIONS FOR CURVED SQUEEGEE COMPLETE

RECOMMENDED SPARE PARTS

2005-12

24

Razor E 17

2007-05

ITEM NO. QTY DESCRIPTION

SOLUTION / RECOVERY TANK SYSTEMS

909 6283 000 1 SQUEEGEE LIFTING CABLE
 909 6437 000 1 KIT SQUEEGEE LIFTING CABLE
 909 5696 000 1 VALVE
 909 6268 000 1 GASKET
 # L08812869 1 DRAIN HOSE
 909 6301 000 1 SUCTION HOSE
 909 6438 000 1 SOLUTION TANK HARDWARE KIT
 909 5988 000 1 RECOVERY TANK HARDWARE KIT

VACUUM SYSTEM

909 5564 000 1 PIPE ACOUSTIC INSULATION
 909 5565 000 1 PIPE ACOUSTIC INSULATION
 909 5979 000 1 KIT VACUUM MOTOR WITH CONNECTOR
 909 5719 000 2 CARBON BRUSH
 909 5987 000 1 VACUUM SYSTEM HARDWARE KIT

HANDLE/CONTROL PANEL ASSEMBLY

909 5584 000 2 SWITCH
 909 5099 000 1 HANDLE ADJUSTER KIT
 909 5701 000 1 HANDLE ADJUSTING KIT

SOLUTION SYSTEM

L08812959 1 SOLENOID VALVE 24V
 9097166000 1 KIT WATER FILTER COMPLETE
 # L08603893 1 KIT FILTER NET WITH GASKET
 909 5980 000 1 SOLENOID VALVE KIT
 909 5990 000 1 SOLUTION SYSTEM HARDWARE KIT

SQUEEGEE SYSTEM

909 5554 000 1 SQUEEGEE WELDMENT
 909 5555 000 1 SPRING
 909 5568 000 1 BLADE REAR
 909 5569 000 1 BLADE FRONT
 # L08603880 1 KIT SQUEEGEE BUMPER ROLLER
 909 5703 000 1 KIT SQUEEGEE WHEEL
 909 5702 000 1 KIT SQUEEGEE COMPLETE
 909 5991 000 1 SQUEEGEE SYSTEM HARDWARE KIT

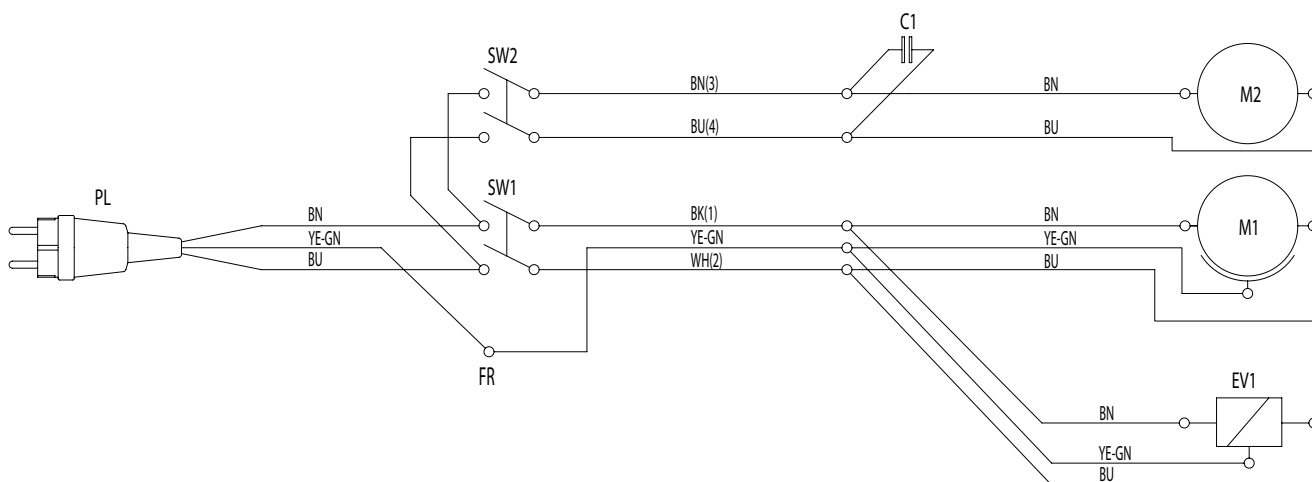
BRUSH SYSTEM

9097184000 1 VIBRATION DAMPING
 909 5397 000 1 BUMPER ROLLER KIT
 # L08812891 1 BRUSH Ø430 PROLENE PPL
 909 5558 000 2 SPRING
 909 5472 000 1 REDUCTIONGEAR MOTOR 550W
 909 5481 000 1 CAPACITOR 450V
 909 5106 000 1 CAPACITOR 400V
 909 5992 000 1 BRUSH SYSTEM HARDWARE KIT

WIRING SYSTEM

L08603912 1 SUPPRESSION CAPACITOR

WIRING DIAGRAM
909 5605 000



LEGENDA	
C1	SUPPRESSION CAPACITOR L08603912
EV1	ELECTROVALVE L08812959
FR	HANDLE FRAME 909 5563 000
M1	BRUSH MOTOR 909 5472 0000
M2	VACUUM MOTOR KIT 909 5979 000
PL	PLUG 909 5862 000
SW1	BRUSH SWITCH 909 5584 000
SW2	VACUUM SWITCH 909 5584 000

COLORS CODES		
BK	BLACK	nero
BU	BLUE	azzurro
BN	BROWN	marrone
GN	GREEN	verde
GY	GREY	grigio
OG	ORANGE	arancio
PK	PINK	rosa
RD	RED	rosso
VT	VIOLET	viola
WH	WHITE	bianco
YE	YELLOW	giallo

KENT

Simple. Clean.

14600 21st Avenue North
Plymouth, MN, 55447-3408
www.kenteuroclean.com
Phone: 800-334-1083
Fax: 866-261-4779
©2007 Printed in Italy