



# Electronic Service Manuals

This electronic document is provided as a service to our customers. We do not create the contents of the information contained in this document. Should you have detailed questions pertaining to the information contained in this document, you may contact Michco, or the manufacturer which provided the original information in this electronic deliverable. Michco's only part in this electronic deliverable was the electronic assembly process.

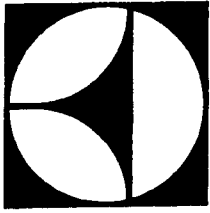
You may contact Michco through the following methods:  
Phone (517) 484-9312 or (800) 331-3339 MI, OH, IN only  
2011 N. High St. -- Lansing, Michigan -- 48906  
Fax: (517) 484-9836  
Email: [CustServ@Michco.com](mailto:CustServ@Michco.com)  
Web site: [www.Michco.Com](http://www.Michco.Com)  
Parts Web site: [www.FloorMachineParts.Com](http://www.FloorMachineParts.Com)

Order Parts on Line at:  
**[www.FloorMachineParts.Com](http://www.FloorMachineParts.Com)**

Directly to Parts & Service:  
By Email: **[Shop@Michco.com](mailto:Shop@Michco.com)**  
By Fax: (517) 702-2041  
By Voice: Use numbers above.

**Serving the Cleaning Industry Since 1922**

Notice: All copyrighted material remains property of original owners, all trademarks are property of respective owners. Manuals are subject to Manufacturer's reproduction limitations. Originals or reproductions were provided by manufacturers through a request. We make no warranty as to the correctness of information provided in this document and you assume all risk.



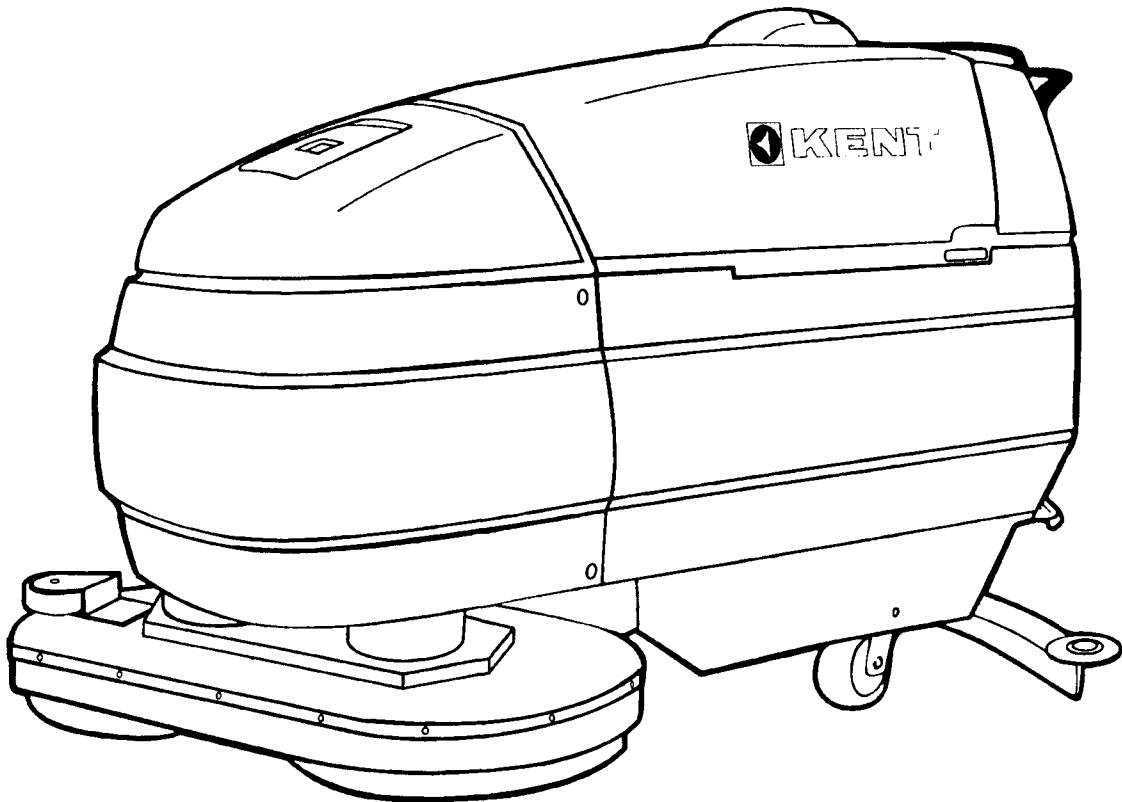
# KENT

## PARTS MANUAL

SERVICE • PARTS

AUTOMATIC SCRUBBERVAC

**KA-39 SelectScrub**



EDITION 1  
DECEMBER 1995  
083427

**THE KENT COMPANY** • 2310 INDUSTRIAL PARKWAY • P O BOX 1665 • ELKHART, IN 46515, U S A  
**TEL:** (219)293-8661 • (800)334-1083 • **FAX:** (219)295-8610 • **TELEX:** 25-8331 KENT CO EKR

# TABLE OF CONTENTS

---

KA-39SS SOLUTION TANK .....	2,3
KA-39SS RECOVERY TANK .....	4,5
KA-39SS BACK PANEL .....	6,7
WIRE DIAGRAM .....	8,9
KA-39SS SQUEEGEE .....	10,11
KA-39SS BRUSH HEAD .....	12,13
KA-39SS REAR COVER .....	14,15
KA-39SS BRUSH COVER .....	16
KA-39SS FRAME ASSEMBLY .....	17
KA-39SS CHASSIS ASSEMBLY .....	18

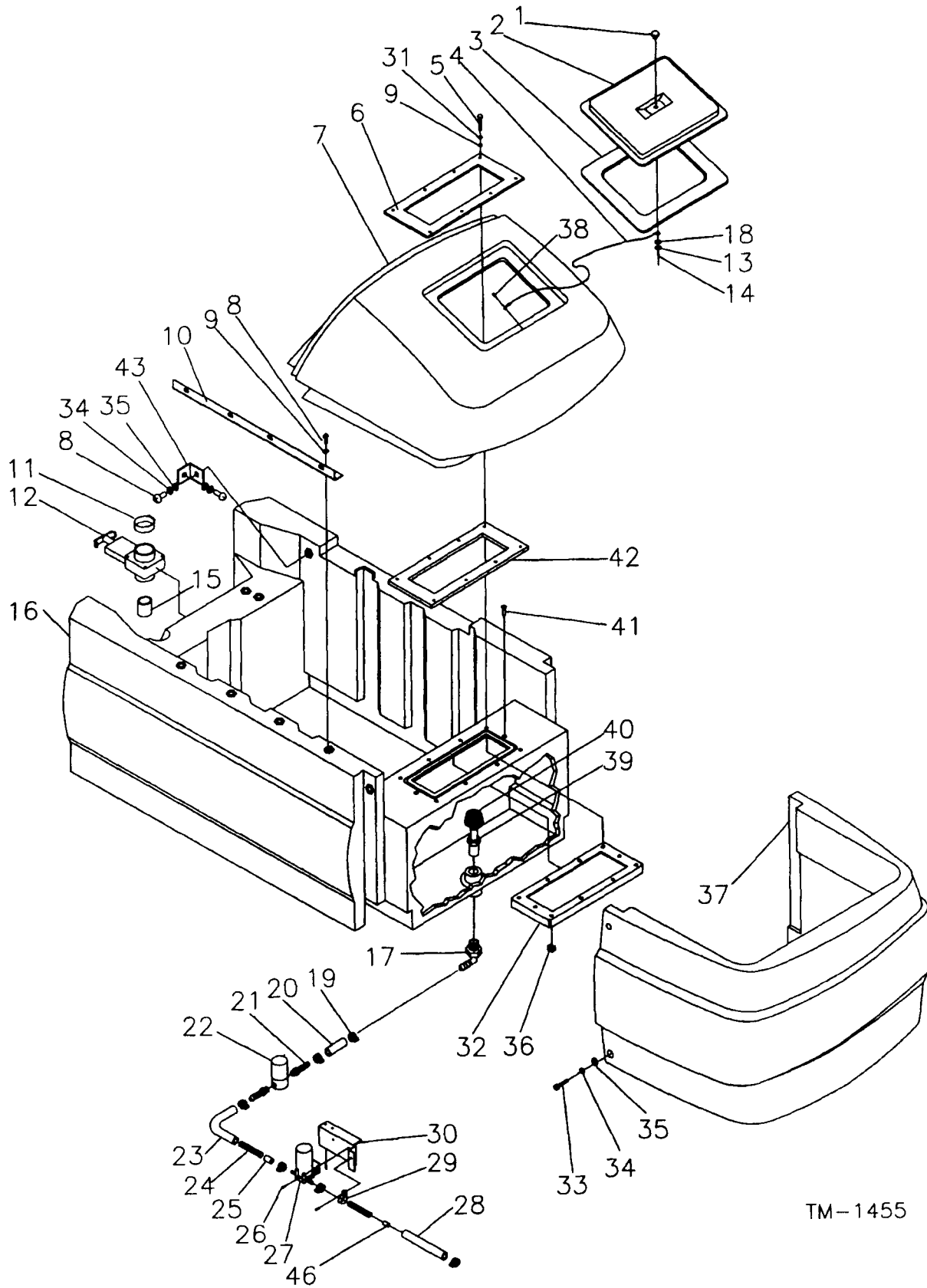
## RECOMMENDED SPARE PARTS

---

Recommended spare parts should be ordered and stocked to avoid possible down time in case of failure, breakage, or normal wear.

PART NO.	DESCRIPTION	QUANT.
035302	ASM,HOSE--SQUEEGEE, BLK,22"L	1
035129	ASM,HOSE--TANK, BLK,36"L	1
035179	ASM,HOSE--DUMP,1,50 DIA,BLK,40"L	1
039135	BRUSH,MTR--FOR 024360 MTR	2
039428	BRUSH,MTR--FOR 024373 VAC MTR	2
047484	KNOB	1
056428	RUBBER,SQUEEGEE--33" AUTO,FRONT	1
056429	RUBBER,SQUEEGEE--33" AUTO,REAR	1
056430	RUBBER,SQUEEGEE--33" AUTO,BACKUP	1
056466	GASKET,SQUEEGEE--.187X2,9.75L	1
056793	FILTER,SCREEN--1.85ID,SS	1
083427	Parts Manual, KA39SS	

# KA-39SS SOLUTION TANK ASSEMBLY



TM-1455

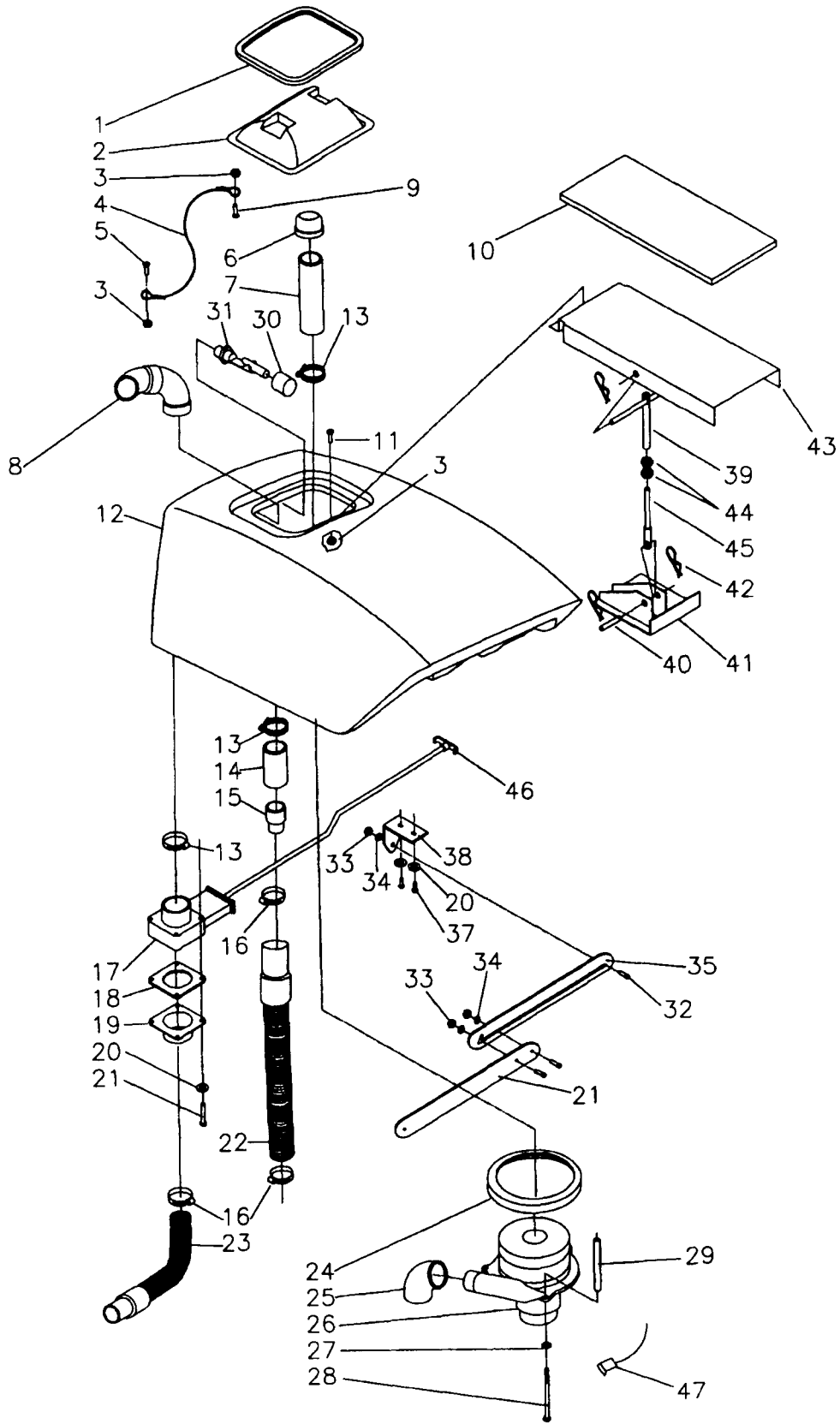
# KA-39SS SOLUTION TANK PARTS LIST

DET.	PART NO.	DESCRIPTION	QUANT.	DET.	PART NO.	DESCRIPTION	QUANT.
1	048022	KNOB	1	23	048505	TUBE,VINYL— 500X 750, 6 75L	1
2	056250	LID,TANK—DURASCRUB	1	24	053321	SPRING,COMP— 480D,2 75L, 059W	4
3	056379	GASKET,FOAM—EXTR RECOVERY	1	25	056770	TUBE,VINYL— 375X 500, 750L	2
4	053793	WIRE ROPE— 062 DIA X 10 50L	1	26	005316	SCR TPG F PAN HD 10-24X 375L	5
5	002477	SCR CAP HEX HD 25-20X1 50L,SS	8	27	035257	ASM,PUMP—12V,1GPM	1
6	056524	PLATE,SS—11GA,5 75X13 00	1	28	057083	TUBE,VINYL- 500ID, 750OD,10"L	1
7	056441	TANK,FRONT—MACH'D,33&39AUTOS	1	29	056682	CLAMP,TUBE— 750CLAMP DIA	1
8	005616	SCR MACH RD HD 250-20X 50L,SS	8	30	056659	BRACKET,WATER PUMP—	1
9	004207	WSHR FLT 281ID 562OD 063T BRS	12	31	002278	WSHR LK 262ID 489OD 062TSPLT	8
10	056514	HINGE,BUTT—RS 056291,BLACK	1	32	056338	FRAME,CLAMP—TANK SEAL	1
11	049999	CLAMP,HOSE—2 25 MAX DIA,WORM	1	33	002471	SCR CAP SOC HD— 25-20X1 25 L	4
12	035454	VALVE,SLIDE—SHUTOFF,1 5PIPE,T	1	34	004254	WSHR LK 267ID 510OD 028T EXT	4
13	004253	WSHR LK 204ID 410OD 025T EXT	1	35	004208	WSHR FLT 281ID 500OD 036T STL	4
14	005456	SCR MACH PAN HD 10-24X 500L	1	36	005628	NUT,SELF-RETAINING—1/4-20,SS	10
15	056593	TUBE,PLSTC—1 66-1 50 REDUCER	1	37	056648	COVER,FRONT—FLAME TREATED	1
16	057802-1	TANK,SKIRT—AUTOS,MACHINED	1	38	002382	SCR TPG F PAN HD 10-B X 500L	1
17	056231	ELBOW,PLASTIC—1/2MPTX1/2BARB	1	39	051207	ADPTR,PP-HS—1/2 MPTX3/8HS,PLS	1
18	005407	WSHR FLT 203ID 562OD 045T STL	1	40	057209	LINE STRAINER—80 MICRON,S S	1
19	051117	CLAMP,HOSE— 875 MAX DIA,WORM	6	41	002475	SCR MACH FLAT HD 250-20X 750L	2
20	051514	TUBE,VINYL— 500X 750, 2 25L	1	42	056523	GASKET,FOAM—5 75X13 00, 375T	1
21	006142	ADPTR,PP-HS—3/8 MPTX1/2HS,BRS	2	43	056857	BRACKET,ANGLE— 11GA,1 50WIDE	2
22	027145	VALVE,SOLENOID—24V	1	46	057226	SS— 113ID, 500OD,0 50L	1
6	051474	ASM valve (not glued)			056821	Decal - Don't touch	
6	057187	Handle only, alum.			056822	Decal - B.H. mount	
					057432	Decal - B.H. mount	

## AVAILABLE ASSEMBLIES

035136 ASM, SOLUTION TANK--INCLUDES ITEMS 1-7, 11-18, 31-32, 36, 38-42

# KA-39SS RECOVERY TANK ASSEMBLY



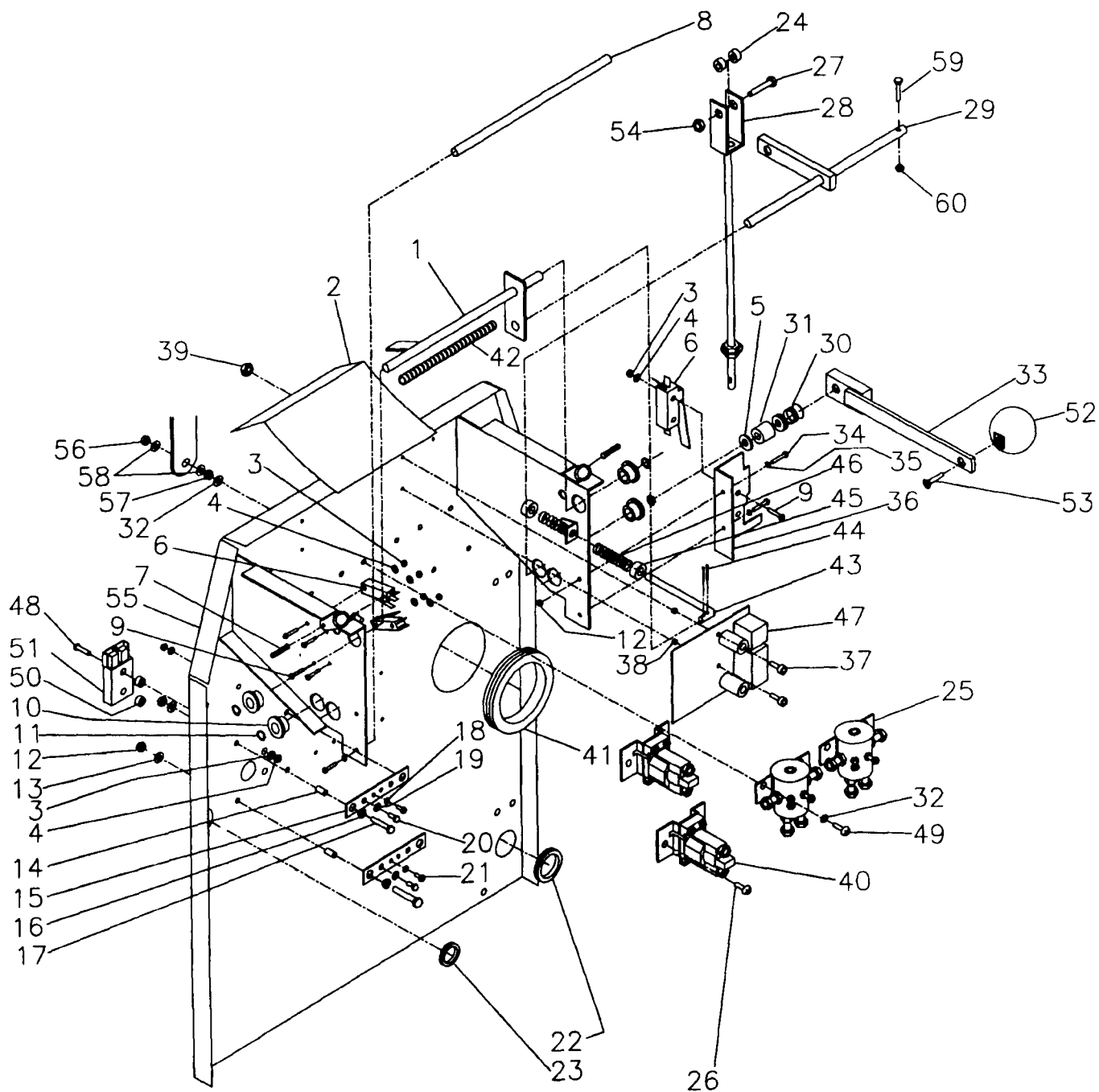
# KA-39SS RECOVERY TANK PARTS LIST

DET. PART NO.	DESCRIPTION	QUANT.	DET. PART NO.	DESCRIPTION	QUANT.
1 057890	GASKET,FOAM—EXTR RECOVERY	1	24 E23788B	RING-MOTOR MOUNTING	1
2 057579	LID,DOMED—DURASCRUB,CLEAR	1	25 056676	ELBOW,PIPE—RS 98402,CUT OFF	1
3 005480	NUT,HEX LOCK— 10-24,NYLOC	3	26 035240	ASM,VAC MTR—36V,3-STAGE	1
4 056617	WIRE ROPE— 062DIA X6 00L	1	27 004254	WSHR LK 267ID 510OD 028T EXT	7
5 002382	SCR TPG F PAN HD 10-B X 500L	1	28 223213	SCR CAP HEX HD 250-20X4 00L	3
6 056793	FILTER,SCREEN—1 85ID,SS	1	29 056764	SPACER,PHEN— 265X 500,3 156L	3
7 055494	PIPE,PVC—1 50 SCH40 X 6 00L	1	30 057318	ADPTR,FLOAT—DURA SCRUB	1
8 056758	ASM,ELBOW—RECOVERY TANK	1	31 057002	SWITCH,FLOAT W/WIRE	2
9 002449	SCR MACH PAN HD 10-24X 875L,SS	4	32 002433	SCR SHLDR SOC HD 250X 500L	3
10 057076	GASKET,SUPPORT—33&39AUTO	1	33 005480	NUT,HEX— 250-20,SS	3
11 002491	SCR MACH FLAT HD 10-24X1LSS	1	34 005433	WSHR FLT 281ID 750OD 120T STL	3
12 056369	TANK,RECOVERY—MACH'D,33&39	1	35 057508-02	BAR,STL—11GA,W/SLOT,PLATED	1
13 049999	CLAMP,HOSE—2 25 MAX DIA,WORM	3	37 001273	SCR MACH RD HD 10-32X 500L	2
14 056675	TUBE,PVC—AUTO	1	38 057504-02	BRACKET,STL—11GA,PLATED	1
15 053894	FITTING—REDUCER,1 58-1 50,PLS	1	39 035326	WDMT,SUPPORT—AUTOS	1
16 046688	CLAMP,HOSE—1 75 MAX DIA,WORM	2	40 057026	PIN,STL—3/8"OD,SS	1
17 057337	VALVE,SLIDE—33SS	1	41 035365	WDMT,VAC TANK—SUPPORT,33&39	1
18 054762	GASKET,FOAM— 187X2 87X2 87	1	42 004352	PIN,LOCK— 125 DIA WIRE	4
19 035160	WDMT,DRAIN—RECOVERY TANK	1	43 057075	PLATE,STL—VAC TANK SUPPORT	1
20 004253	WSHR LK 204ID 410OD 025T EXT	2	44 003438	NUT,HEX JAM— 375-16,SST	2
21 057505-02	BAR,STL—11GA,PLATED	1	45 035327	WDMT,SUPPORT—REC TANK	1
22 035129	ASM,HOSE—TANK,1 50 DIA,BLK	1	46 057187	HANDLE,SLIDE VALVE—SERVICE	1
23 035179	ASM,HOSE—DUMP,BLK,1,50 DIA	1	47 039428	BRUSH,MTR—FOR 024373 VAC MTR	2

## AVAILABLE ASSEMBLIES

035431 ASM, RECOVERY TANK--INCLUDES ITEMS 1-15, 17-21, 24-35, 37-47

# KA-33SS BACK PANEL ASSEMBLY



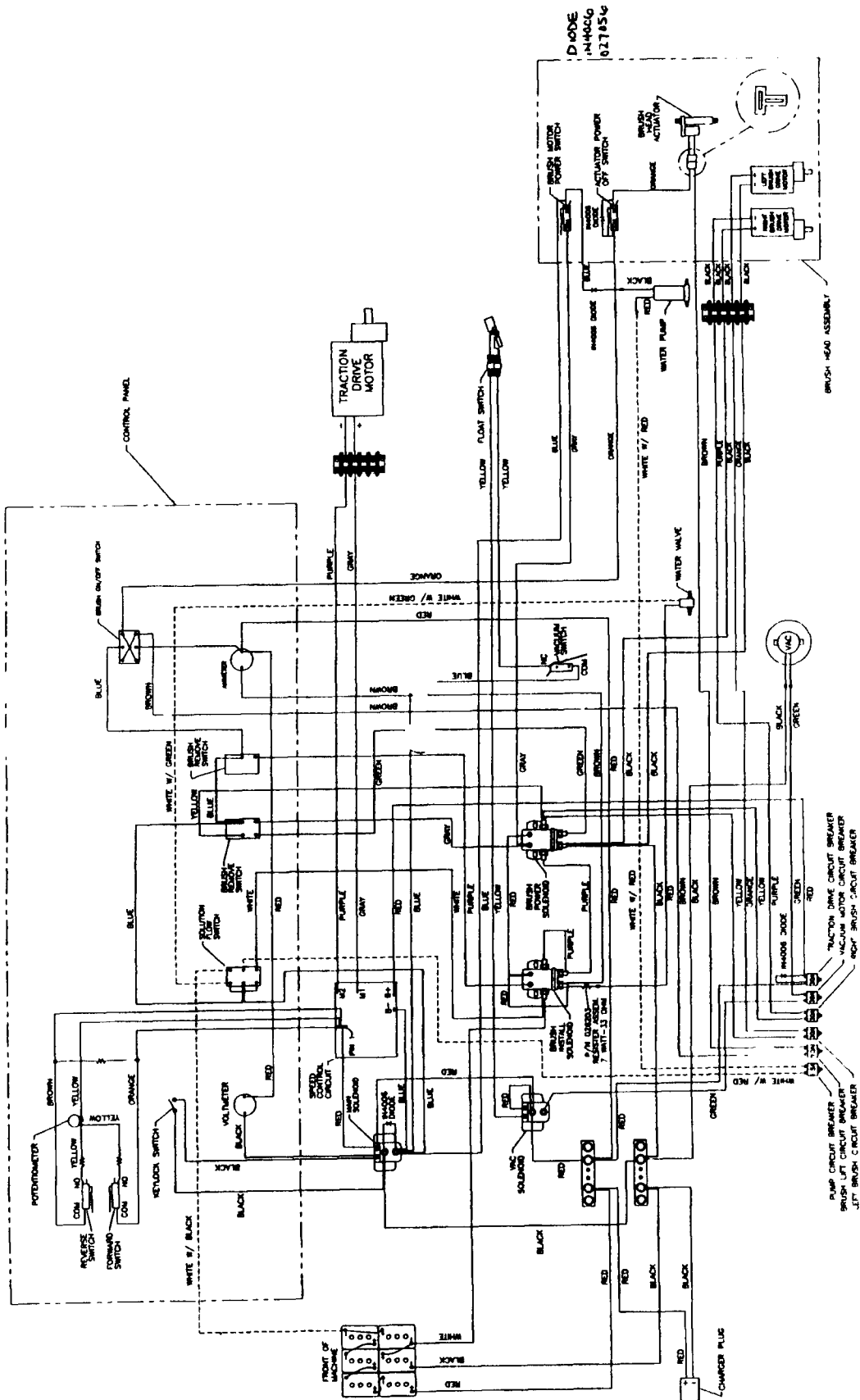
TM-1674

# KA-39SS BACK PANEL PARTS LIST

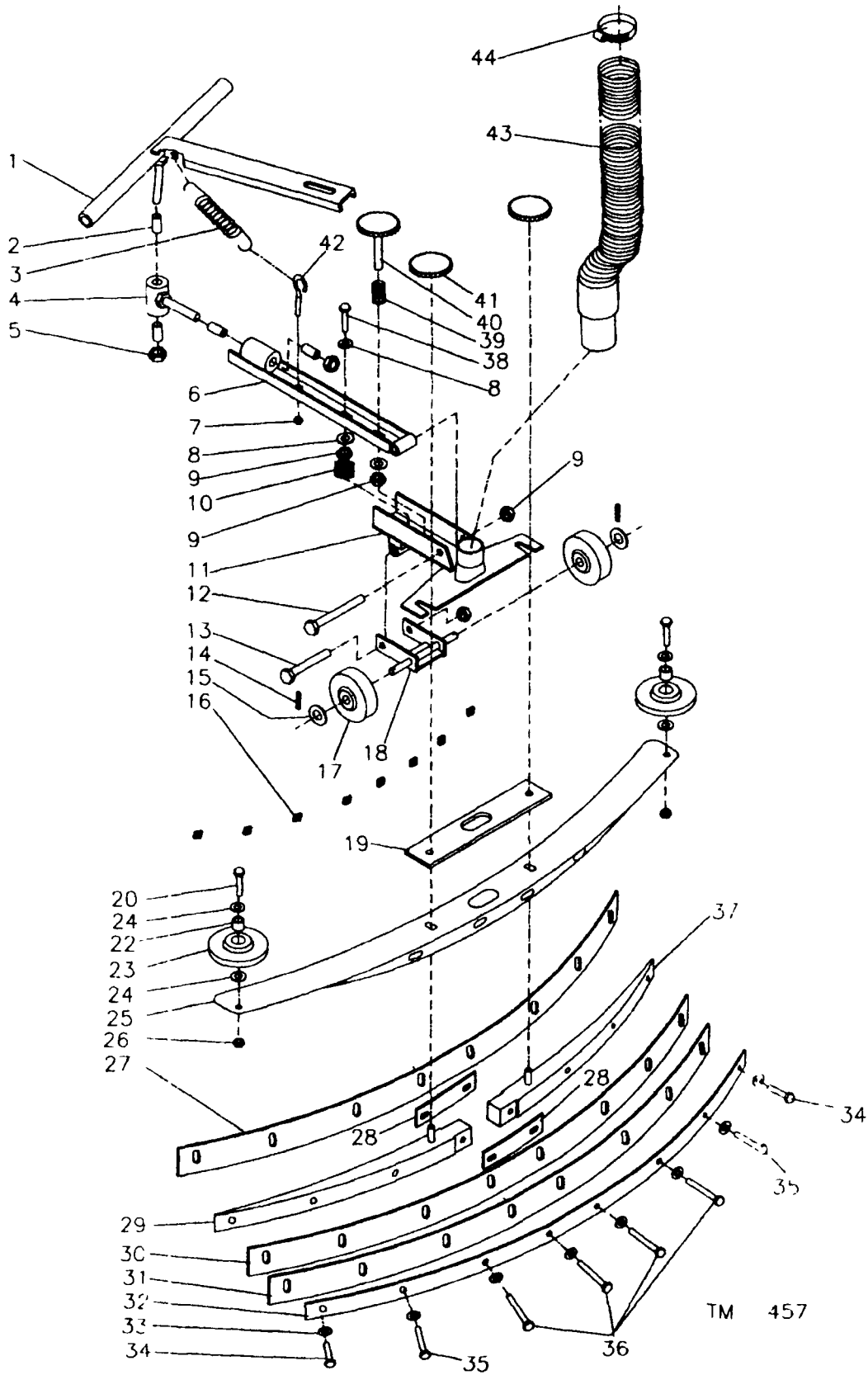
DET.	PART NO	DESCRIPTION	QUANT	DET.	PART NO.	DESCRIPTION	QUANT.
1	035384	WDMT SHAFT—ACTUATOR	1	31	057517	SPACER,NYLON—50IC 710D 39T	1
2	026164	INSULATOR,ELEC—MYLAR,11 5X7	1	32	004254	WSHR LK 267ID 510OD 028T EXT	2
3	003274	NUT,HEX— 6-32 ZN PLT	8	33	035515-05	WDMT,HANDLE --SQUEEGEE,PAINTED	1
4	004250	WSHR LK 148ID 250OD 031TSPLT	8	34	002247	SCR MACH RD HD 250 20X 625L	3
5	004238	WSHR FLT 531ID1 00OD 071T STL	3	35	002278	WSHR LK 262ID 489OD 062TSPLT	2
6	026603	SWITCH LVR—DPST,20A,125-250V	3	36	057324-05	BRKT—ARM STOPKA '3 PAINTED	1
7	005624	PIN ROLL— 312DIA 1 000"L	2	37	005410	SCR MACH RD HD 8 32X1 00L	2
8	057366	ROD STL—SUPPORT,HNDL KA-33SS	1	38	057428	SPACER ALUM 187X 175, 375L	2
9	001248	SCR MACH RD HD 6-32X1 00L	6	39	003415	NUT,HEX LOCK— 8 32 NYLOC,ZN	2
10	027131	BRG FLANGE— 500ID 750OD 500W	4	40	026504	SOLENOID—SWITCH SPNO 36VDC	2
11	004351	RING RING—EXT 500 SHAFT, "E"	4	41	054845	GROM—3 00ID 3 50MH 12PA	1
12	003363	NUT,HEX LOCK— 250-20,ZN PLT	4	42	057176	TUBE,PLSTC— SLIT 810DX11 0"L	1
13	002278	WSHR LK 262ID 489OD 062TSPLT	4	43	053296	ROD,STL—312 DIA 6 30 LONG	1
14	048268	SPACER,PLSTC— 500X 625, 500L	4	44	004297	PIN COTTER - 094X 7.0 LONG	2
15	048269	BAR,STL— 187X 750X 4 00 LONG	2	45	048987	COLLAR-CENTRING SPRING	2
16	004369	WSHR SHLDR 250ID 562OD 120TNY	4	46	056597	SPRING,COMP 480D 2 75L 045WD	2
17	002269	SCR CAP HEX HD 250-20X1 25L	4	47	027237	CONTROL—DC AUTOS CRTS 36V	1
18	005297	WSHR LK 200ID 334OD 047TSPLT	1	48	001497	SCR MACH RD HD 6 32X1 50L	2
19	004217	WSHR LK 326ID 586OD 078TSPLT	4	49	002263	SCR MACH RD HD 250 20X1 25L	1
20	003243	SCR CAP HEX HD 312-18X 625L	4	50	046309	SPACER,PHEN 250X 500 500L	4
21	001283	SCR MACH RD HD 10-24X 375L	2	51	027152	ASM CHARGFF PLUG 1/2"CONDCT	1
22	056672	GROM 2 10DX2 44MHDX 12PA	1	52	057391	HANDLE,BALL ALUM 2 125 DIA	1
23	055434	GROM 1 00ID 1 25MHD 125PA	1	53	002480	SCR MACH PAN HD 250 20X 625L	1
24	050872	SPACER,PHEN— 250X 500, 375L	2	54	003363	NUT,HEX LOCK— 250 20 ZN PLT	1
25	026713	SOLENOID DOUBLE THROW—SWITCH	2	55	035463	WDMT BACK PANEL—KA 33SS	1
26	001514	SCR TPG F PAN HD 250-20X 375L	8	56	003363	NUT,HEX LOCK— 250 20 ZN PLT	1
27	002273	SCR CAP HEX HD 250-20X1 75L	1	57	222258	NUT,HEX— 250 20 SS	1
28	035459	ASM SQUEEGEE LIFT—33SS	1	58	005433	WSHR FLT 291ID 750OD 120T STL	2
29	035486-02	WDMT SQUEEGEE—27SS PLATED	1	59	002433	SCR SHLDR SOC HD 1 50X 500L	1
30	057388	SPRING COMP 975D 88L 112WD	1	60	005480	NUT,HEX LOCK— 10-21 NYLOC	1

TM-1674

# WIRE DIAGRAM



# KA-39SS SQUEEGEE ASSEMBLY



TM 457

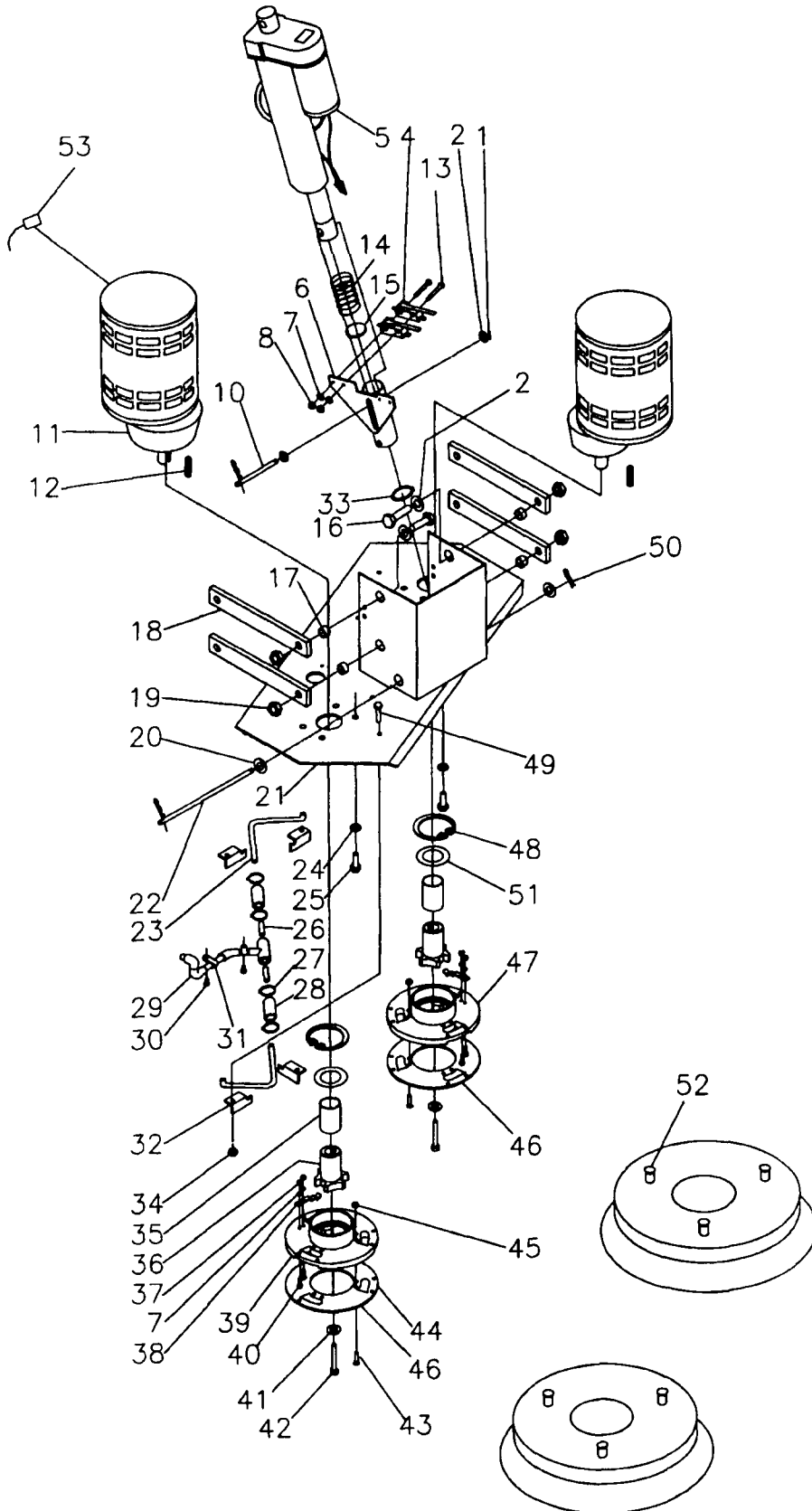
# KA-39SS SQUEEGEE PARTS LIST

DET.	PART NO.	DESCRIPTION	QUANT.	DET.	PART NO.	DESCRIPTION	QUANT.
1	035139	WDMT,SQUEEGEE LIFT—33&39 AUTO	1	24	004218	WSHR FLT 344ID 750OD 060T STL	4
2	027171	BRG,SLV— 500ID, 625OD, 750W	4	25	035101	WELDMNT,SQUEEGEE—39" AUTO	1
3	051136	SPRING,EXT 750D 2 92L 104WD	1	26	003378	NUT,HEX LOCK— 312-18,ZN PLT	2
4	035150	WDMT,SQUEEGEE PIVOT—33&39AUTO	1	27	056632	RUBBER,SQUEEGEE—FRT,39" AUTO	1
5	003370	NUT,HEX LOCK— 500-13,ZN PLT	2	28	056461	CLAMP,SQUEEGEE—11GA,5 00L	2
6	035137	WDMT,SQUEEGEE BAR—33&39 AUTOS	1	29	056432	SPACER,SQUEEGEE—LEFT 39" AUTO	1
7	005479	NUT,HEX LOCK— 250-20,NYLOC,ZN	1	30	056633	RUBBER,SQUEEGEE—REAR,39 AUTO	1
8	005219	WSHR FLT 406ID1 00OD 071T STL	4	31	056634	RUBBER,SQUEEGEE—BACKUP,39AUTO	1
9	003368	NUT,HEX LOCK— 375-16,ZN PLT	4	32	056635	STRAP,SQUEEGEE—39" AUTO	1
10	056808	SPRING,COMP— 970D, 750L, 072W	1	33	004531	WSHR FLT 281ID 625OD 080T,SS	8
11	035138	WDMT,SQUEEGEE BRACKET—33&39	1	34	002454	SCR CAP HEX HD 250-20X1 50L	2
12	002445	SCR CAP HEX HD 375-16-2 50L	1	35	002476	SCR CAP HEX HD 250-20X2 00L	2
13	003268	SCR CAP HEX HD 375-16X3 00L	1	36	002455	SCR CAP HEX HD 250-20X2 50L	4
14	005383	PIN,COTTER— 094X1 000 LONG	2	37	056431	SPACER,SQUEEGEE—RIGHT,39" AUT	1
15	004223	WSHR FLT 406ID 625OD 036T STL	2	38	002332	SCR CAP HEX HD 375-16X1 75L	1
16	005591	NUT,SELF RETAINING— 250-20	8	39	056585	SPRING,COMP 845D 1 75L 085WD	1
17	057193	WHEEL,PLASTIC—3"OD,3/8"BORE	2	40	035163	ASM,KNOB—ADJUSTMENT, 375-16	1
18	034172	WDMT,BRACKET—SQUEEGEE WHEEL	1	41	047484	KNOB	2
19	056466	GASKET,SQUEEGEE— 187X2,9 75L	1	42	005594	BOLT,EYE— 250-20,X1 0 SHANK	1
20	003249	SCR CAP HEX HD 312-18X1 25L	2	43	035302	ASM,HOSE—SQUEEGEE,1 5DIA,BLK	1 IS "L
22	053699	SPACER,STL— 312X 437, 43L	2	44	046688	CLAMP,HOSE—1 75 MAX DIA,WORM	1
23	053720	WHEEL—4 00DIA, 438BORE, 688HB	2				

## AVAILABLE ASSEMBLIES

- 035099 ASM, SQUEEGEE--INCLUDES ITEMS 16, 19-37  
 035140 ASM, SQUEEGEE LINKAGE--INCLUDES ITEMS 1-18, 38-41  
 039567 SET, SQUEEGEE BLADE--INCLUDES ITEMS 27, 30, 31

# KA-39SS BRUSH HEAD ASSEMBLY



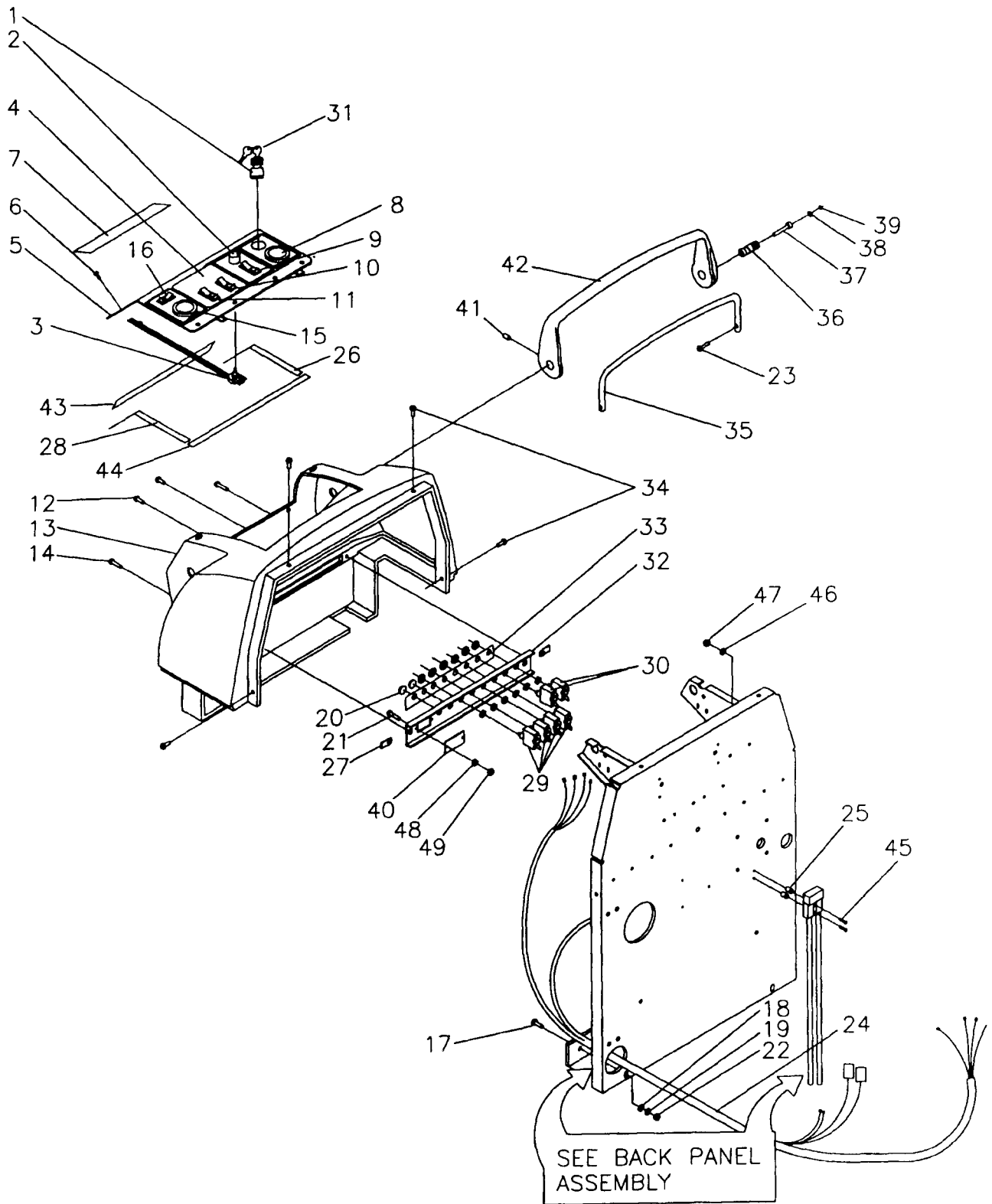
# KA-39SS BRUSH HEAD PARTS LIST

DET.	PART NO.	DESCRIPTION	QUANT.	DET.	PART NO.	DESCRIPTION	QUANT.
1	005200	PIN,COTTER— 125X1 000 LONG	1	28	056803	TUBE,VINYL— 500X 750, 6 00L	2
2	004238	WSHR FLT 531ID1 00OD 071T STL	4	29	035334	ASM,TUBE—PVC,50L,39"	1
3	005227	WSHR FLT 531ID 875OD 036T STL	2	30	005316	SCR TPG F PAN HD 10-24X 375L	2
4	026603	SWITCH,LVR—DPST,20A,125-250V	2				
5	024368	ACTUATOR,DC—36V,500LBS,6IN	1	31	051474	CLAMP,LOOP— 609 CLOSED I D	2
6	035493	WDMT,ACTUATOR TUBE—BRUSH LIFT	1	32	053277	BRACKET,SOLN TUBE— 75X 75X1 8	4
7	004250	WSHR LK 148ID 250OD 031TSPLT	6	34	003363	NUT,HEX LOCK— 250-20,ZN PLT	4
8	003274	NUT,HEX— 6-32,ZN PLT	2	35	056464	TUBE,SS—1 50OD,16GA,1 937L	2
9	046425	SPACER,PHEN— 250X 437, 250L	2	36	056445	SHAFT,DRIVE—BRUSH,AUTOS	2
10	056155	PIN—ACTUATOR	1	37	003466	NUT,HEX— 6-32,SS	4
11	024441	ASM,MTR&GEAR UNIT—1HP,W/RINGS	2	38	056468	CLIP,RETAINING—BRUSH LUG	2
12	05013	KEY,SQUARE— 250SQ,1 50L	2	39	056447	HUB,DRIVE—BRUSH,AUTOS,RIGHT	1
13	001489	SCR MACH RD HD 6-32X1 75L	2	40	001515	SCR MACH PAN HD 6-32X 500L	4
14	054427	SPRING,COMP—1 09D 2 50L 135WD	1	41	005358	WSHR LK— 326ID 586OD 078T SPL	2
15	056639	PLATE,STL—13GA,1 125DIA	1	42	0024	SCR CAP SOC HD 312-18X200L 5L	2
16	003270	SCR CAP HEX HD 500-13X1 25L	4	43	002473	SCR MACH FLAT HD 10-24X 875L	12
17	056473	SPACER,STL— 531X 750C 218L,Z	4	44	057159	PLATE,SS—BRUSH MTG RING,RIGHT	1
18	056254	BAR,STL— 375X1 25, 9 25L	4	45	222224	NUT,HEX LOCK— 10-24,ZN PLT	12
19	003370	NUT,HEX LOCK— 500-13,ZN PLT	4	46	057160	PLATE,SS—BRUSH MTG RING,LEFT	1
20	005219	WSHR FLT 406ID1 00OD 071T STL	2	47	056446	HUB,DRIVE—BRUSH,AUTOS,LEFT	1
21	035130	WDMT,BRUSH HEAD—39 DURASCRUB	1	48	004529	RING,RTNG—INT,2 375 BORE	2
22	056474	SHAFT,STL— 375DIA, 8 00L	1	49	002459	SCR CAP HEX HD 250-20X 500LSS	4
23	055297	TUBE,FORMED—AUTO,SOLN,RIGHT	2	50	004352	PIN,LOCK— 125 DIA WIRE	2
24	004214	WSHR LK 390ID 683OD 094TSPLT	8	51	004548	WSHR FLT 1 770ID2 342OD 078T	2
25	003262	SCR CAP HEX HD 375-16X1 00L	8	52	005630	LUG,BRUSH— 250-20 THREAD	6
26	055296	TUBE,VINYL— 313X 500,1 75L	2	53	039276	BRUSH,MTR—FOR 024372 MOTOR	8
27	051117	CLAMP,HOSE— 875 MAX DIA,WORM	4				

## AVAILABLE ASSEMBLIES

- 035493 ASM, BRUSH HEAD--INCLUDES ITEMS 1-51, 53
- 035212 ASM, SOLUTION LINE--INCLUDES ITEMS 23, 26-31
- 035131 ASM, DRIVE HUB, RIGHT--INCLUDES ITEMS 7, 35-45, 48, 51
- 035132 ASM, DRIVE HUB, LEFT--INCLUDES ITEMS 7, 35-38, 40-43, 45-48, 51

# KA-39SS REAR COVER ASSEMBLY



TM-1672

# KA-39SS REAR COVER PARTS LIST

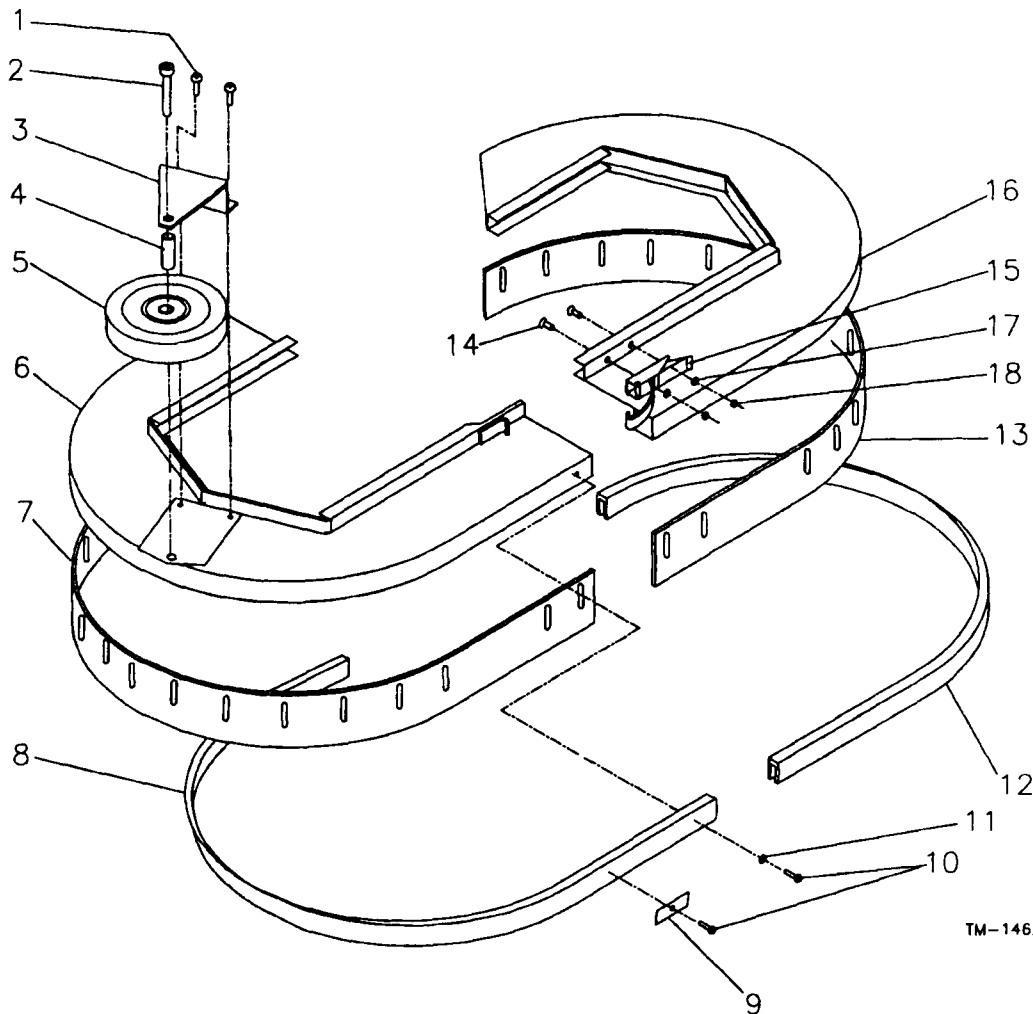
DET.	PART NO.	DESCRIPTION	QUANT.	DET.	PART NO.	DESCRIPTION	QUANT.
1	057243	Mach Key		26	057308	GASKET— 125x 500,8 656L LEFT	1
1	026584	STARTER-SWITCH-LOCKING	1	27	003429	NUT,SPEED,U— 250-20, 58X1 125	2
2	056596	KNOB,PLASTIC—BLACK, 92DIA X 95	1	28	057309	GASKET— 125x 500,8 656I	1
3	026158	ASM,POTENTIOMETER—W/RESISTER	1	29	026198	CIRCUIT BREAKER—30AMP,SCR TRM	4
4	057614	LABEL—INSTR PANEL,AUTO,SS	1	30	026751	CIRCUIT BREAKER—10AMP	2
5	057343	PANEL,INSTR—SELECT SCRUB	1				
6	002382	SCR TPG F PAN HD 10-B X 500L	6	31	057243	KEY,AUTOMATICS—FOR P/N 026584	1
7	057175	LABEL—SAFETY INSTRUCTIONS,ENG	1	32	056499	PANEL,CIRCUIT BREAKER—AUTOS	1
8	027161	VOLTMETER—27-45 VDC, ROUND	1	33	057430	LABEL—CIRCUIT BREAKER,SS AUTO	1
9	026130	SWITCH,RKR—DPDT,ON/OFF/ON	1	34	002371	SCR TPG F PAN HD 10-24X 625L	4
10	026129	SWITCH,RKR—DPST,OFF/ON/(ON)	1	35	056595	HANDLE,STL— 625DIA,PAINTED	1
11	026045	SWITCH,RKR—SPST	1	36	056359	SHAFT,STL— 750DIA,1 75L	2
12	002343	SCR TPG F PAN HD 250-20X 500L	2	37	002471	SCR CAP SOC HD— 25-20X1 25 L	2
13	057362	COVER,REAR—MACH,AUTO,33&39SS	1	38	004208	WSHR FLT 281ID 500OD 036T STL	2
14	002334	SCR MACH RD HD 250-20X 750L	2	39	056761	RING,RTNG—INT, 500BORE,N5000	2
15	026131	AMMETER—DC,0-75A,ROUND,2 0DIA	1	40	057322-05	PLATE,STL—BREAKER PANEL,PAINT	1
16	026046	SWITCH,RKR—DPDT	2				
17	003244	SCR CAP HEX HD 312-18X 750L	2	41	005387	SCR SET CUP PT 312-18X 500L	2
18	004218	WSHR FLT 344ID 750OD 060T STL	2	42	056594	HANDLE,ACTUATOR—AUTOS,PAINTED	1
19	004212	WSHR LK 326ID 586OD 078TSPLT	2	43	057310	GASKET— 125x 500,11 75L	1
20	057103	PLUG,BUTTON— 500MHD,BLACK,PLS	2	44	057306	GASKET— 125x 500,13 75L, TOP	1
				45	001497	SCR MACH RD HD 6-32X1 50L	2
21	223188	SCR MACH PAN HD 6-32X 500L	2	46	004250	WSHR LK 148ID 250OD 031TSPLT	2
22	003349	NUT,HEX— 312-18,ZN PLT	2	47	003274	NUT,HEX— 6-32,ZN PLT	2
23	005478	SCR MACH RD HD 250-20X 500L	2	48	004249	WSHR LK 150ID 320OD 022T EXT	2
24	026160	HARNESS,WIRE—SELECT SCRUB	1	49	003274	NUT,HEX— 6-32,ZN PLT	2
25	046309	SPACER,PHEN— 250X 500, 500L	2				

29 002373 Screw  
29 004248 Washer

## AVAILABLE ASSEMBLIES

035465 ASM, INSTRUMENT PANEL--INCLUDES ITEMS 1, 4-5, 7-11, 15-16, 26, 28, 43-44

# KA-39SS BRUSH COVER ASSEMBLY



TM-1462

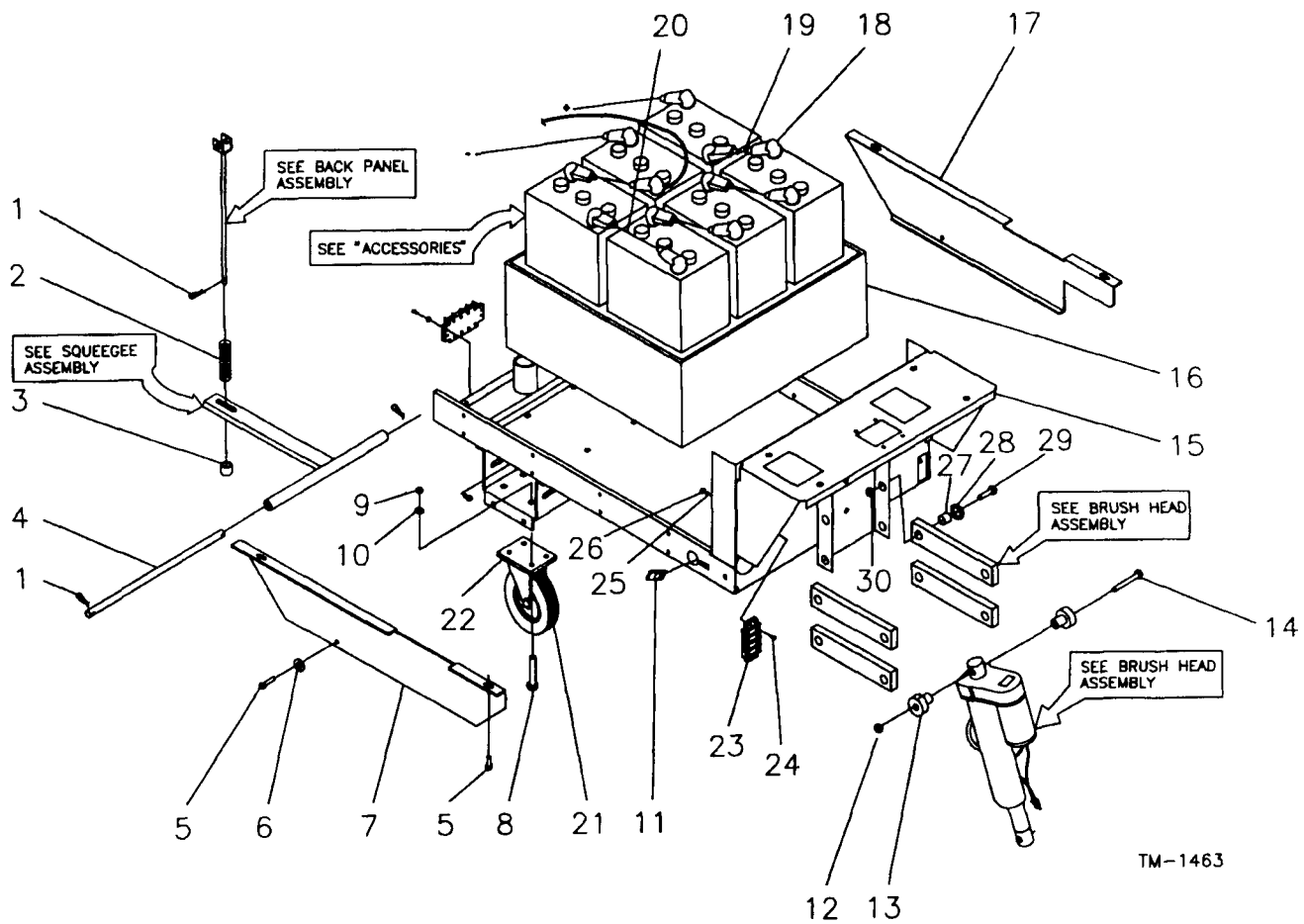
DET. PART NO.	DESCRIPTION	QUANT.	DET. PART NO.	DESCRIPTION	QUANT.		
1	002357	SCR MACH PAN HD 250-20X 625L	2	10	004542	SCR TPG F PAN HD 10-24X 875L	28
2	005536	SCR CAP SOC HD 375-16X2 00L	1	11	005323	WSHR FLT 203ID 500OD 036T STL	4
3	056120	BRACKET—BRUSH HEAD GUIDE	1	12	056729	CHANNEL,RUBBER—BRUSH CVR,39,L	1
4	056684	SPACER,STL— 500X17GA,1 50L,Z	1	13	056668	GUARD,SPLASH— 25X3 00,39,LEFT	1
5	056673	WHEEL,BLACK—5" OD	1	14	001288	SCR MACH FLAT HD 10-24X 500L	2
6	035112	WDMT,BRUSH COVER—39 AUTO,RT	1	15	054306	CLAMP,TOGGLE—BLACK,1 62 LATCH	1
7	056730	GUARD,SPLASH— 25X3 00,39,RH	1	16	035113	WDMT,BRUSH COVER—39 AUTO,LEFT	1
8	056731	CHANNEL,RUBBER—BRUSH CVR,39,R	1	17	003279	NUT,HEX— 10-24,ZN PLT	2
9	052006	STR,STL— 062X 437X1 50 LONG	24	18	005297	WSHR LK 200ID 334OD 047TSPLT	2

## AVAILABLE ASSEMBLIES

- 035213 ASM, BRUSH COVER, LEFT--INCLUDES ITEMS 9-18
- 035214 ASM, BRUSH COVER, RIGHT--INCLUDES ITEMS 1-11

TM-1462

# KA-39SS FRAME ASSEMBLY AND PARTS LIST

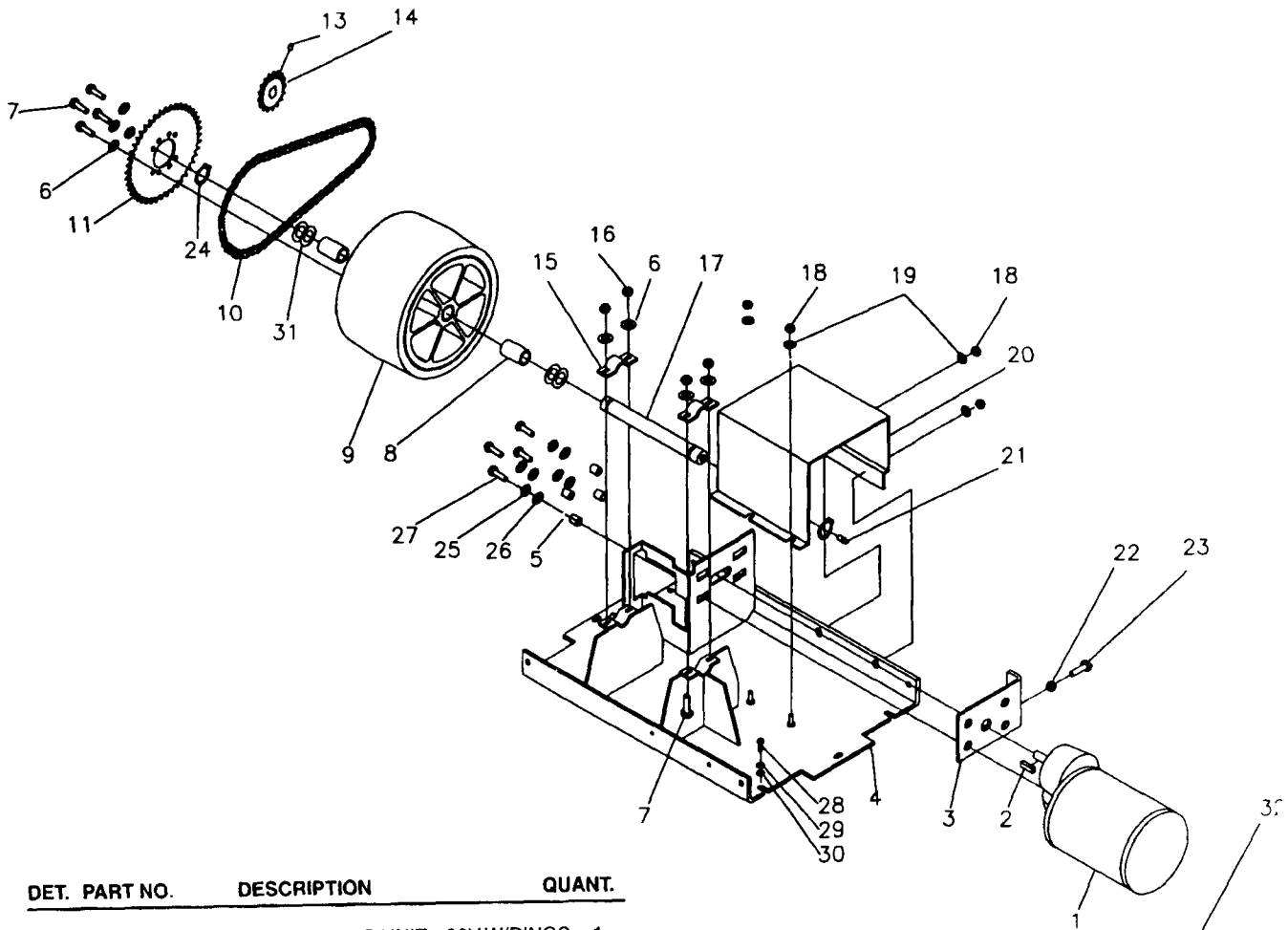


TM-1463

DET. PART NO.	DESCRIPTION	QUANT.	DET. PART NO.	DESCRIPTION	QUANT.		
1	004352	PIN, LOCK— 125 DIA WIRE	3	16	053534	BOX, BATT—32" AUTO'S, MACHINED	1
2	056618	SPRING, COMP— 845D, 3 50L 100WD	1	17	056357	SKIRT, LOWER—LEFT, DURASCRUB	1
3	056683	SPACER, STL— 391X 625, 500L, Z	1	18	054186	BOOT, INSULATOR—BATT TERMINALS	12
4	056371	SHAFT, STL— 375 DIA, 14 62L	1	19	025085	ASM, WIRE— 6GA, BLK, 10 2L, RINGS	4
5	002480	SCR MACH PAN HD .250-20X 625L	6	20	025274	ASM, WIRE— 6GA, BLK, 14 0L, RINGS	1
6	004254	WSHR LK 267ID 510OD 028T EXT	6	21	039563	KIT, WHEEL&AXLE—FOR 056658	2
7	056358	SKIRT, LOWER—RIGHT, DURASCRUB	1	21	056658	CASTER, SWIVEL—5 0 DIA, 700 LB	2
8	003262	SCR CAP HEX HD 375-16X1 00L	8	23	026111	TERMINAL BLOCK—4 GERM, 50 AMP	2
9	003293	NUT, HEX— 375-16, ZN PLT	8	24	005457	SCR MACH PAN HD 10-24X1 00L	8
10	004214	WSHR LK 390ID 683OD 094TSPLT	8	25	004253	WSHR LK 204ID 410OD 025T EXT	8
7	051505	Decal 39SS		26	003279	NUT, HEX— 10-24, ZN PLT	8
11	003429	NUT, SPEED, U— 250-20, 58X1 125	4	27	056473	SPACER, STL— 531X 750C 218L, Z	4
12	005279	NUT, HEX LOCK— 375-16, NYLOC	1	28	004238	WSHR FLT 531ID1 00OD 071T STL	4
13	054502	BSHG, SLV— 377ID 498OB1 00FLNG	2	29	003270	SCR CAP HEX HD 500-13X1 25L	4
14	003267	SCR CAP HEX HD 375-16X2 75L	1	30	003370	NUT, HEX LOCK— 500-13, ZN PLT	4
15	035089	WELDMNT—UPPER CHASSIS	1	19	025252	Cable - Red, 14 -	
				19	025145	Cable - Black, 14 -	

TM-1463

# KA-39SS CHASSIS ASSEMBLY AND PARTS LIST



TM-1673

DET. PART NO.	DESCRIPTION	QUANT.
1	024440 ASM,MTR&GEAR UNIT—36V,W/RINGS	1
2	045815 KEY,SQUARE— 250 SQ, 875 LONG	1
3	035262 WDMT,BRKT—TENSION,DRIVE MTR	1
4	035088 WELDMENT—LOWER CHASSIS	1
5	056681 SPACER,STL— 375X 625, 400L	4
6	004212 WSHR LK 326ID 586OD 078TSPLT	8
7	003244 SCR CAP HEX HD 312-18X 750L	8
8	027130 BEARING,SLEEVE—1"ID,1 25"OD	2
9	035097 ASM,WHEEL—10"OD,AUTO'S	1
10	056448 CHAIN,ROLLER—#40,70LK&CONN	1
9	056242-1 Poly wheel	1
11	051376 SPROCKET,CHAIN—#40, 500P,44T	1
13	002234 SCR SET CUP PT 250-20X 500L	1
14	056505 SPROCKET,CHAIN—#40, 500P,17T	1
15	056327 CLAMP,AXLE—BLACK	2
16	003349 NUT,HEX— 312-18,ZN PLT	4
17	056258 AXLE—1 00 DIA X 9-5/16"L	1
18	003283 NUT,HEX— 250-20,ZN PLT	4
19	002278 WSHR LK 262ID 489OD 062TSPLT	4
20	056405 COVER,MOTOR—AUTOMATICS	1
21	054330 ZERK,GREASE— 250-28 THREAD	1
10	044781 Master Link	1

## AVAILABLE ASSEMBLIES

035430 ASM, LOWER CHASSIS--INCLUDES ITEMS 1-31

DET. PART NO.	DESCRIPTION	QUANT.
22	003294 NUT,HEX JAM— 375-16,ZN PLT	1
23	002332 SCR CAP HEX HD 375-16X1 75L	1
24	048537 RING,RTNG—EXT 984 SHAFT,5160	2
25	004214 WSHR LK 390ID 683OD 094TSPLT	4
26	004384 WSHR FLT 406ID 875OD 064T STL	4
27	003264 SCR CAP HEX HD 375-16X1 25L	4
28	003259 SCR CAP HEX HD 375-16X 625L	4
29	004215 WSHR LK 398ID 694OD 040T EXT	4
30	004318 WSHR FLT 375ID1 060D 120T STL	4
31	004330 WSHR FLT 1 05ID1 500D 036T STL	4
32	039276 BRUSH,MTR—FOR 024372 MOTOR	4

TM-1673