



# Electronic Service Manuals

This electronic document is provided as a service to our customers. We do not create the contents of the information contained in this document. Should you have detailed questions pertaining to the information contained in this document, you may contact Michco, or the manufacturer which provided the original information in this electronic deliverable. Michco's only part in this electronic deliverable was the electronic assembly process.

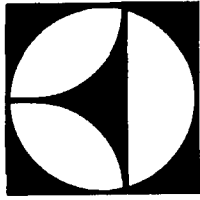
You may contact Michco through the following methods:  
Phone (517) 484-9312 or (800) 331-3339 MI, OH, IN only  
2011 N. High St. -- Lansing, Michigan -- 48906  
Fax: (517) 484-9836  
Email: [CustServ@Michco.com](mailto:CustServ@Michco.com)  
Web site: [www.Michco.Com](http://www.Michco.Com)  
Parts Web site: [www.FloorMachineParts.Com](http://www.FloorMachineParts.Com)

Order Parts on Line at:  
**[www.FloorMachineParts.Com](http://www.FloorMachineParts.Com)**

Directly to Parts & Service:  
By Email: **[Shop@Michco.com](mailto:Shop@Michco.com)**  
By Fax: (517) 702-2041  
By Voice: Use numbers above.

**Serving the Cleaning Industry Since 1922**

Notice: All copyrighted material remains property of original owners, all trademarks are property of respective owners. Manuals are subject to Manufacturer's reproduction limitations. Originals or reproductions were provided by manufacturers through a request. We make no warranty as to the correctness of information provided in this document and you assume all risk.



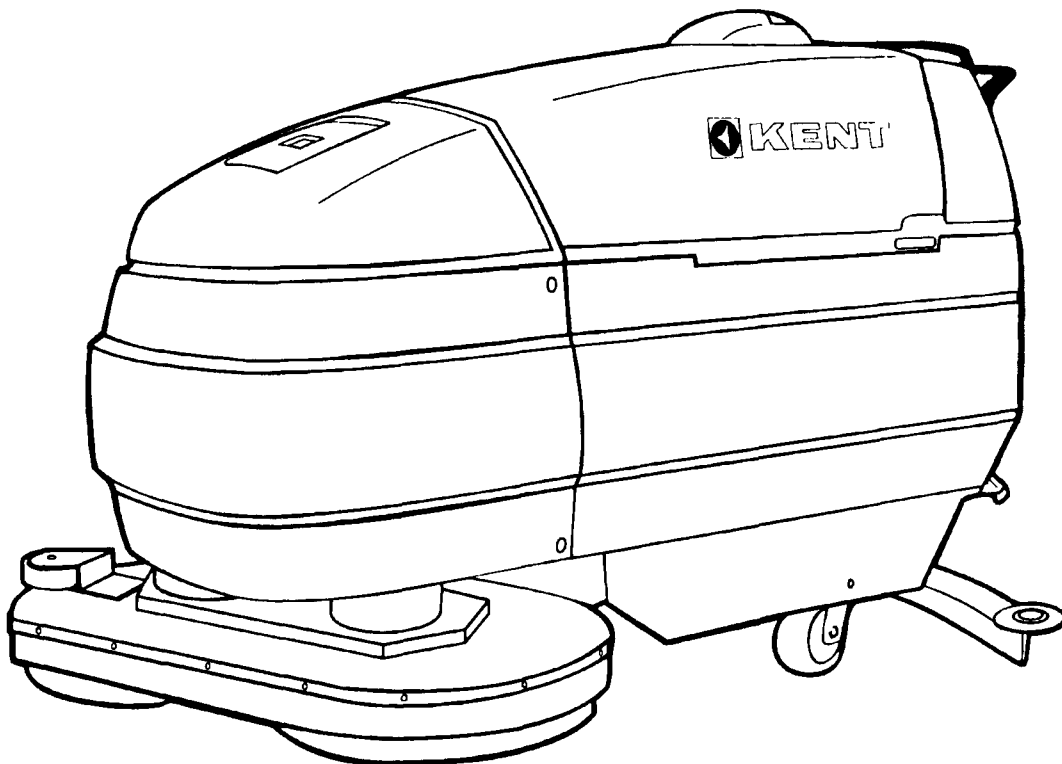
# KENT

## PARTS MANUAL

SERVICE • PARTS

AUTOMATIC SCRUBBERVAC

**KA-39 DuraScrub**



EDITION 1  
MARCH 1996  
083361

THE KENT COMPANY • 2310 INDUSTRIAL PARKWAY • P.O. BOX 1665 • ELKHART, IN 46515, U.S.A.  
TEL: (219)293-8661 • (800)334-1083 • FAX: (219)295-8610 • TELEX: 25-8331 KENT CO EKR

# TABLE OF CONTENTS

---

CIRCUIT BOARD CONNECTIONS .....	2
KA-39 SOLUTION TANK .....	3,4
KA-39 RECOVERY TANK .....	5,6
KA-39 BACK PANEL .....	7,8
KA-39 SYSTEM WIRE DIAGRAM .....	9,10
KA-39 SQUEEGEE .....	11,12
KA-39 BRUSH HEAD .....	13,14
KA-39 REAR COVER .....	15,16
KA-39 BRUSH COVER .....	17
KA-39 FRAME .....	18
KA-39 CHASSIS .....	19

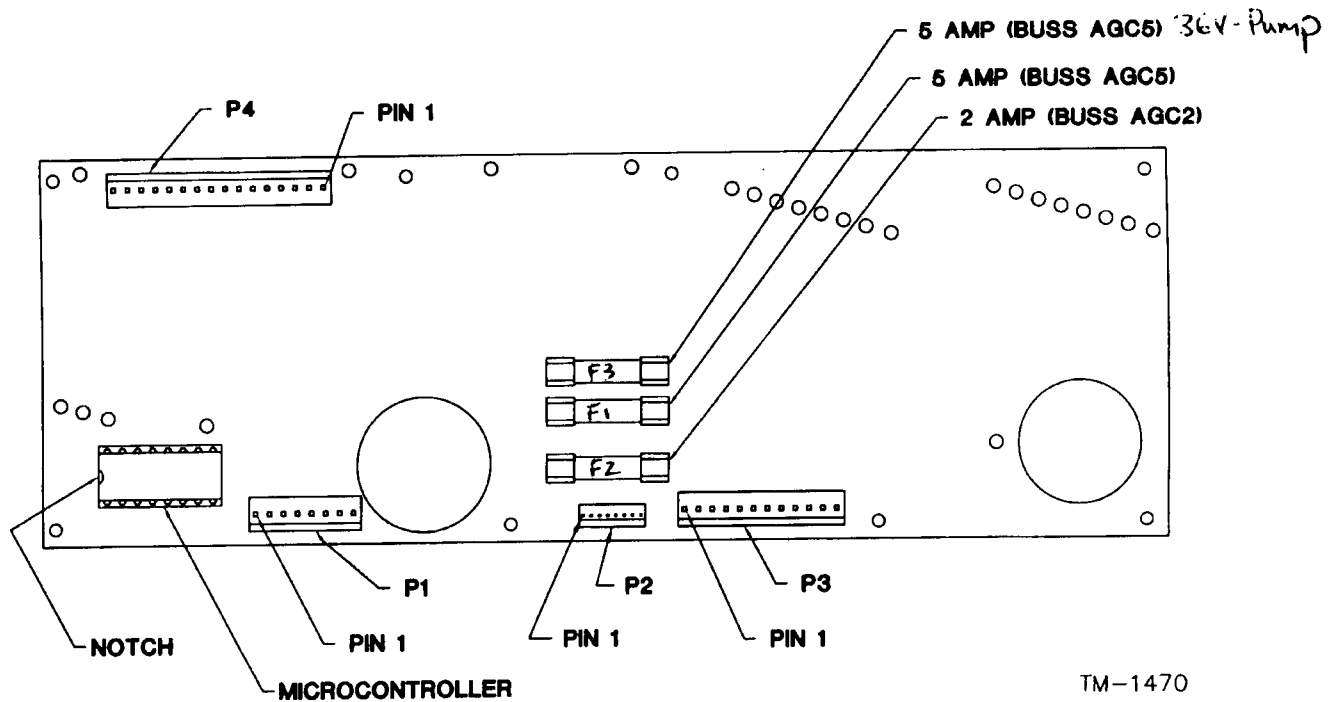
## RECOMMENDED SPARE PARTS

---

Recommended spare parts should be ordered and stocked to avoid possible down time in case of failure, breakage, or normal wear.

PART NO.	DESCRIPTION	QUANT.
035302	ASM,HOSE--SQUEEGEE,BLK,22"L	1
035129	ASM,HOSE--TANK,BLK,36"L	1
035179	ASM,HOSE--DUMP,1,50 DIA,BLK,40"L	1
039135	BRUSH, MTR--FOR 024360 MTR	2
039276	BRUSH,MTR--FOR 024372 MOTOR	4
039428	BRUSH,MTR--FOR 024373 VAC MTR	2
047484	KNOB	1
056632	RUBBER,SQUEEGEE--39" AUTO,FRONT	1
056633	RUBBER,SQUEEGEE--39" AUTO,REAR	1
056634	RUBBER,SQUEEGEE--39" AUTO,BACKUP	1
056466	GASKET,SQUEEGEE--.187 x 2, 9.75L	1
056793	FILTER,SCREEN--1.85ID,SS	1

# DURASCRUB SYSTEM CIRCUIT BOARD CONNECTIONS



## CONNECTOR P1

PIN 1	TANK PROBE 1 (-), NO.57
PIN 2	TANK PROBE 2 (+), NO.58
PIN 3	BRUSH UP SWITCH (-), NO.17
PIN 4	BRUSH UP SWITCH (+), NO.18
PIN 5	BRUSH DOWN SWITCH (-), NO.23
PIN 6	BRUSH DOWN SWITCH (+), NO.22
PIN 7	ON/OFF HANDLE SWITCH (-), NO.55
PIN 8	ON/OFF HANDLE SWITCH (+), NO.56

PIN 4	(-) JUNCTION BAR, NO.60
PIN 5	(-) JUNCTION BAR, NO.61
PIN 6	(-) JUNCTION BAR, NO.62
PIN 7	WATER PUMP (+), NO.51
PIN 8	WATER PUMP (-), NO.52
PIN 9	LOAD INDICATOR (+), NO.64
PIN 10	LOAD INDICATOR (-), NO.59
PIN 11	BATTERY LOW INDICATOR (+), NO.4
PIN 12	BATTERY LOW INDICATOR (-), NO.8

## CONNECTOR P2 (KEYPAD)

Function Pin combinations:

GROUND	PIN 1
WATER FLOW SELECT	PIN 2 & 6
WATER FLOW ON/OFF	PIN 3 & 6
BRUSH PRESSURE (+)	PIN 4 & 6
BRUSH PRESSURE (-)	PIN 5 & 6
BRUSH INSTALL	PIN 2 & 7
BRUSH REMOVE	PIN 3 & 7
VACUUM ON/OFF	PIN 4 & 7
BRUSH ON/OFF	PIN 5 & 7

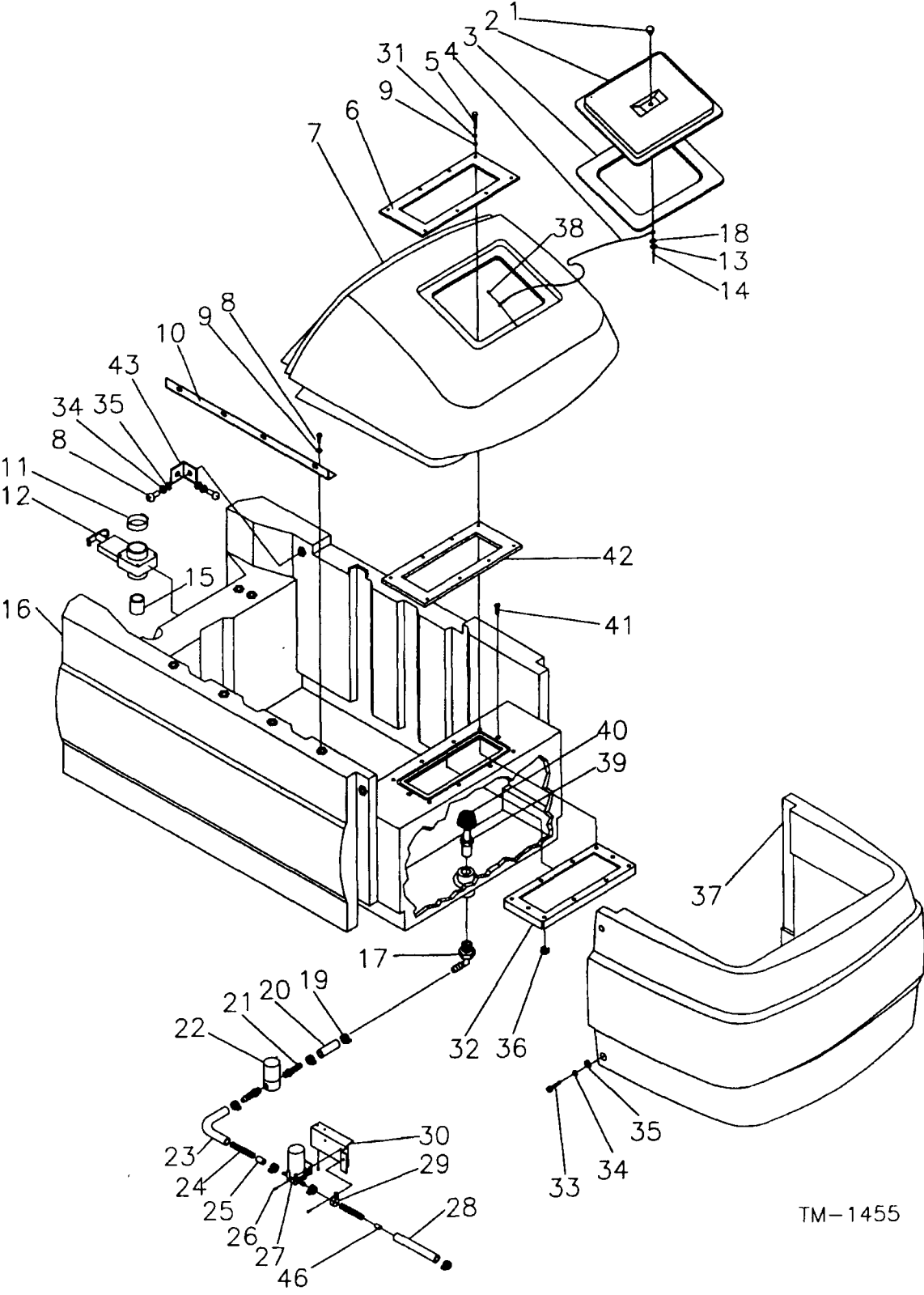
## CONNECTOR P4

PIN 1	BRUSH DOWN SOLENOID (+), NO.33
PIN 2	BRUSH DOWN SOLENOID (-), NO.32
PIN 3	BRUSH UP SOLENOID (+), NO.25
PIN 4	BRUSH UP SOLENOID (-), NO.20
PIN 5	NOT USED
PIN 6	NOT USED
PIN 7	REMOVE SOLENOID (+), NO.47
PIN 8	REMOVE SOLENOID (-), NO.48
PIN 9	INSTALL SOLENOID (+), NO.43
PIN 10	INSTALL SOLENOID (-), NO.44
PIN 11	WATER VALVE (+), NO.49
PIN 12	WATER VALVE (-), NO.50
PIN 13	BRUSH ON/OFF SOLENOID (+), NO.45
PIN 14	BRUSH ON/OFF SOLENOID (-), NO.46
PIN 15	VAC SOLENOID (+), NO.53
PIN 16	VAC SOLENOID (-), NO.54

## CONNECTOR P3

PIN 1	MAIN SOLENOID, NO.63
PIN 2	NOT USED
PIN 3	NOT USED

# KA-39 SOLUTION TANK ASSEMBLY



TM-1455

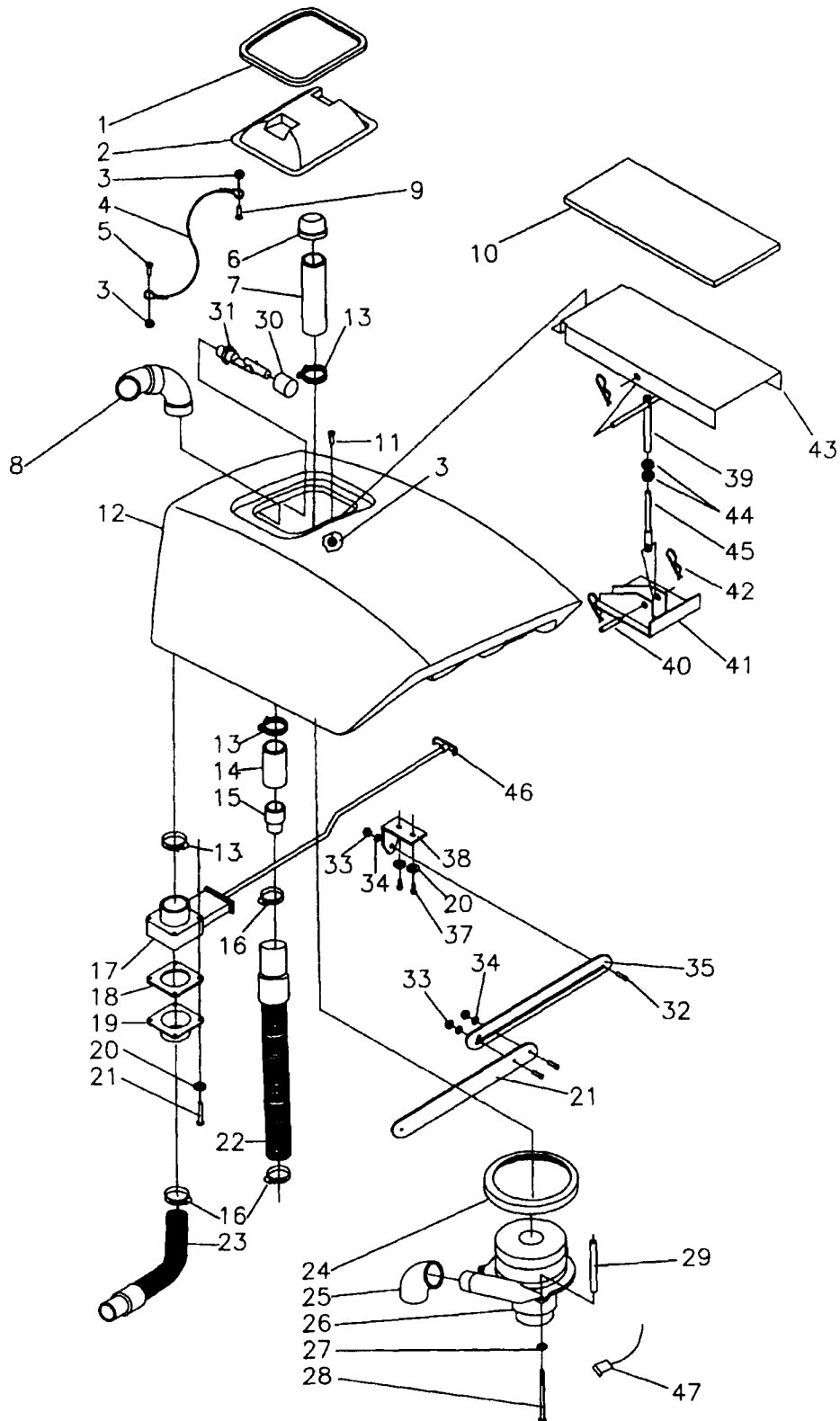
# KA-39 SOLUTION TANK PARTS LIST

DET.	PART NO.	DESCRIPTION	QUANT.	DET.	PART NO.	DESCRIPTION	QUANT.
1	048022	KNOB	1	23	048505	TUBE,VINYL--500X.750, 6.75L	1
2	056250	LID,TANK--DURASCRUB	1	24	053321	SPRING,COMP--480D,2.75L,.059W	4
3	056379	GASKET,FOAM--EXTR.RECOVERY	1	25	056770	TUBE,VINYL--.375X.500, .750L	2
4	053793	WIRE ROPE--.062 DIA X 10.50L	1	26	005316	SCR TPG F PAN HD 10-24X.375L	5
5	002477	SCR CAP HEX HD .25-20X1.50L,SS	8	27	035257	ASM,PUMP--12V,1GPM	1
6	056524	PLATE,SS--11GA,5.75X13.00	1	28	057083	TUBE,VINYL-.500ID,.750OD,10"L	1
7	056441	TANK,FRONT--MACH'D,33&39AUTOS	1	29	056682	CLAMP,TUBE--.750CLAMP DIA.	1
8	005616	SCR MACH RD HD .250-20X.50L,SS	8	30	056659	BRACKET,WATER PUMP--	1
9	004207	WSHR FLT .281ID.562OD.063T BRS	12	31	002278	WSHR LK .262ID.489OD.062TSPLT	8
10	056514	HINGE,BUTT--RS 056291,BLACK	1	32	056338	FRAME,CLAMP--TANK SEAL	1
11	049999	CLAMP,HOSE--2.25 MAX DIA,WORM	1	33	002471	SCR CAP SOC HD--.25-20X1.25 L	4
12	055070	VALVE,SLIDE--SHUTOFF,1.5PIPE,T	1	34	004254	WSHR LK .267ID.510OD.028T EXT	4
13	004253	WSHR LK .204ID.410OD.025T EXT	1	35	004208	WSHR FLT .281ID.500OD.036T STL	4
14	005456	SCR MACH PAN HD 10-24X.500L	1	36	005628	NUT,SELF-RETAINING--1/4-20,SS	10
15	056593	TUBE,PLSTC--1.66-1.50 REDUCER	1	37	056648	COVER,FRONT--FLAME TREATED	1
16	057802-1	TANK,SKIRT--AUTOS,MACHINED	1	38	002382	SCR TPG F PAN HD 10-B X.500L	1
17	056231	ELBOW,PLASTIC--1/2MPTX1/2BARB	1	39	051207	ADPTR,PP-HS--1/2 MPTX3/8HS,PLS	1
18	005407	WSHR FLT .203ID.562OD.045T STL	1	40	057209	LINE STRAINER--80 MICRON,S.S.	1
19	051117	CLAMP,HOSE--.875 MAX DIA,WORM	6	41	002475	SCR MACH FLAT HD .250-20X.750L	2
20	051514	TUBE,VINYL--500X.750, 2.25L	1	42	056523	GASKET,FOAM--5.75X13.00, 375T	1
21	006142	ADPTR,PP-HS--3/8 MPTX1/2HS,BRS	2	43	056857	BRACKET,ANGLE--11GA,1.50WIDE	2
22	027145	VALVE,SOLENOID--24V	1	46	057226	BRACKET,SS--.113ID, 500OD,0.50L	1
6	035454	ASM Valve - slide (Co-Typed)			056464	Wiring Diagram	
6	057157	Handle Valve, alum.			056821	Decal - Disassembly	
					056822	Decal - Maint.	

## AVAILABLE ASSEMBLIES

035136 ASM, SOLUTION TANK--INCLUDES ITEMS 1-7, 11-18, 31-32, 36, 38-42

# KA-39 RECOVERY TANK ASSEMBLY



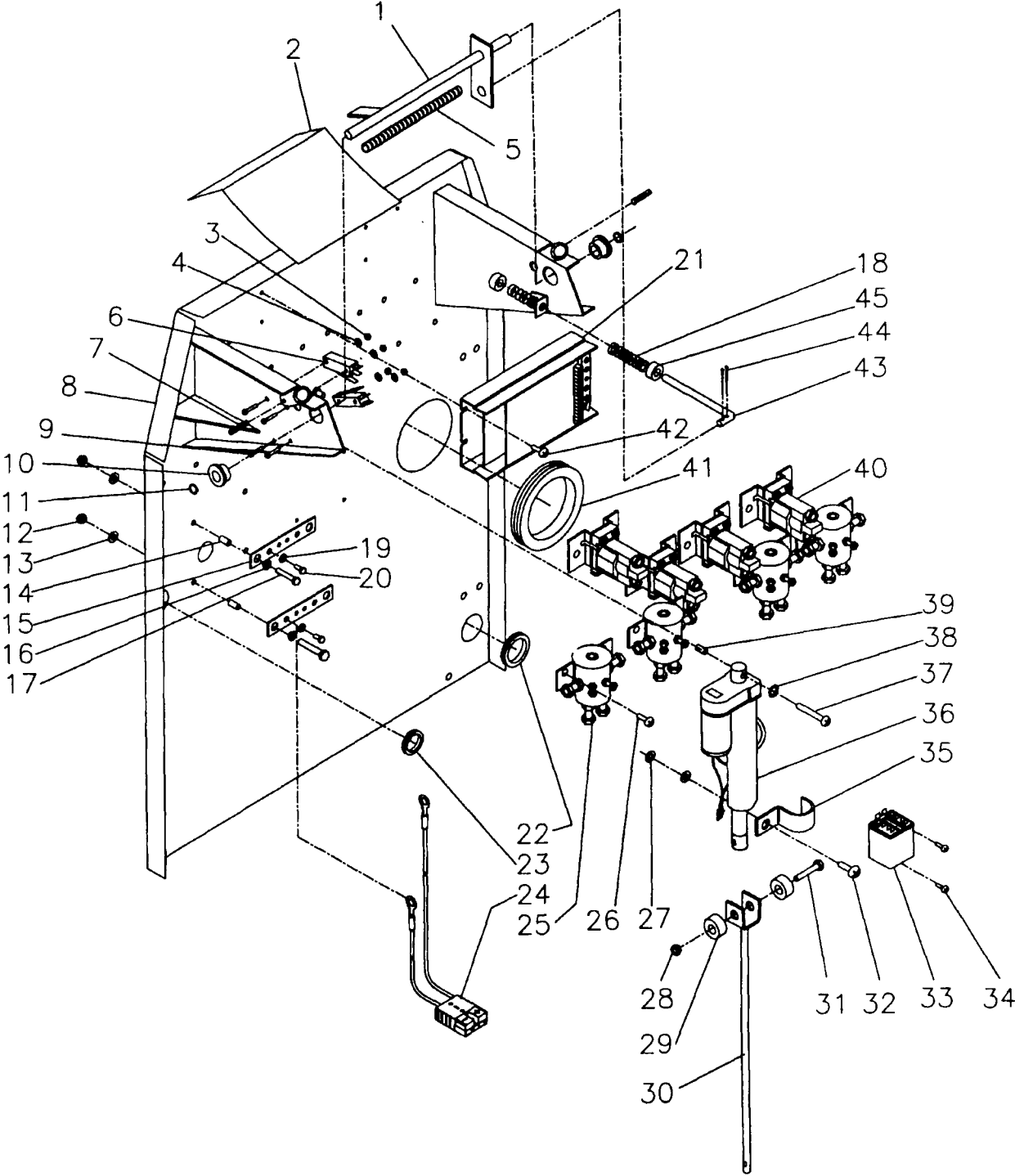
# KA-39 RECOVERY TANK PARTS LIST

DET. PART NO.	DESCRIPTION	QUANT.	DET. PART NO.	DESCRIPTION	QUANT.
1 057890	GASKET,FOAM—EXTR.RECOVERY	1	24 E23788B	RING-MOTOR MOUNTING	1
2 057579	LID,DOMED—DURASCRUB,CLEAR	1	25 056676	ELBOW,PIPE—RS 98402,CUT OFF	1
3 005480	NUT,HEX LOCK— 10-24,NYLOC	3	26 035240	ASM,VAC MTR—36V,3-STAGE	1
4 056617	WIRE ROPE—.062DIA X 6.00L	1	27 004254	WSHR LK .267ID.510OD.028T EXT	7
5 002382	SCR TPG F PAN HD 10-B X.500L	1	28 223213	SCR CAP HEX HD .250-20X4.00L	3
6 056793	FILTER,SCREEN—1.85ID,SS	1	29 056764	SPACER,PHEN—.265X.500,3.156L	3
7 055494	PIPE,PVC—1.50 SCH40 X 6.00L	1	30 057318	ADPTR,FLOAT—DURA SCRUB	1
8 056758	ASM,ELBOW—RECOVERY TANK	1	31 057002	SWITCH,FLOAT W/WIRE	2
9 002449	SCR MACH PAN HD 10-24X.875L,SS	4	32 002433	SCR SHLDR SOC HD .250X.500L	3
10 057076	GASKET,SUPPORT—33&39AUTO	1	33 005430	NUT,HEX—,250-20,SS	3
11 002491	SCR MACH FLAT HD 10-24X1LSS	1	34 005433	WSHR FLT .281ID.750OD.120T STL	3
12 057297-1	TANK,REC—MACH'D,KA-33SS	1	35 057508-02	BAR,STL—11GA,W/SLOT,PLATED	1
13 049999	CLAMP,HOSE—2.25 MAX DIA,WORM	3	37 001273	SCR MACH RD HD 10-32X.500L	2
14 056675	TUBE,PVC—AUTO	1	38 057504-02	BRACKET,STL—11GA,PLATED	1
15 053894	FITTING—REDUCER,1.58-1.50,PLS	1	39 035326	WDMT,SUPPORT—AUTOS	1
16 046688	CLAMP,HOSE—1.75 MAX DIA,WORM	2	40 057026	PIN,STL—3/8"OD,SS	1
17 057337	VALVE,SLIDE—33SS w/plastic handle	1	41 035365	WDMT,VAC TANK—SUPPORT,33&39	1
18 054762	GASKET,FOAM—.187X2.87X2.87	1	42 004352	PIN,LOCK—.125 DIA WIRE	4
19 035160	WDMT,DRAIN—RECOVERY TANK	1	43 057075	PLATE,STL—VAC TANK SUPPORT	1
20 004253	WSHR LK .204ID.410OD.025T EXT	2	44 003438	NUT,HEX JAM—375-16,SST	2
21 057505-02	BAR,STL—11GA,PLATED	1	45 035327	WDMT,SUPPORT—REC TANK	1
22 035129	ASM,HOSE—TANK,1.50 DIA,BLK	1	46 057187	HANDLE,SLIDE VALVE—SERVICE	1
23 035179	ASM,HOSE—DUMP,BLK,1.50 DIA	1	47 039428	BRUSH,MTR—FOR 024373 VAC MTR	2

## AVAILABLE ASSEMBLIES

035119 ASM, RECOVERY TANK--INCLUDES ITEMS 1-15, 17-21, 24-35, 37-47

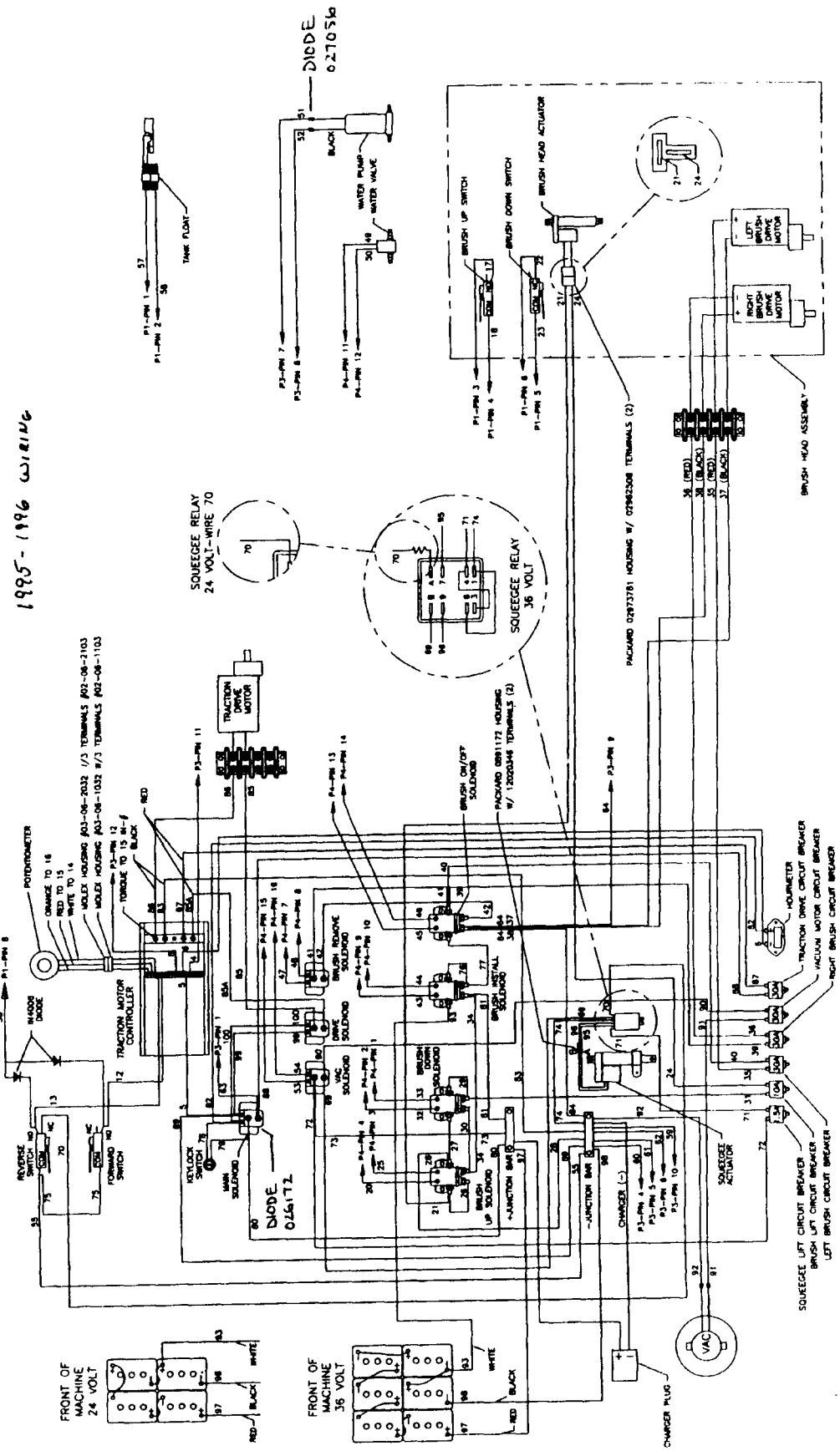
# KA-39 BACK PANEL ASSEMBLY



# KA-39 BACK PANEL PARTS LIST

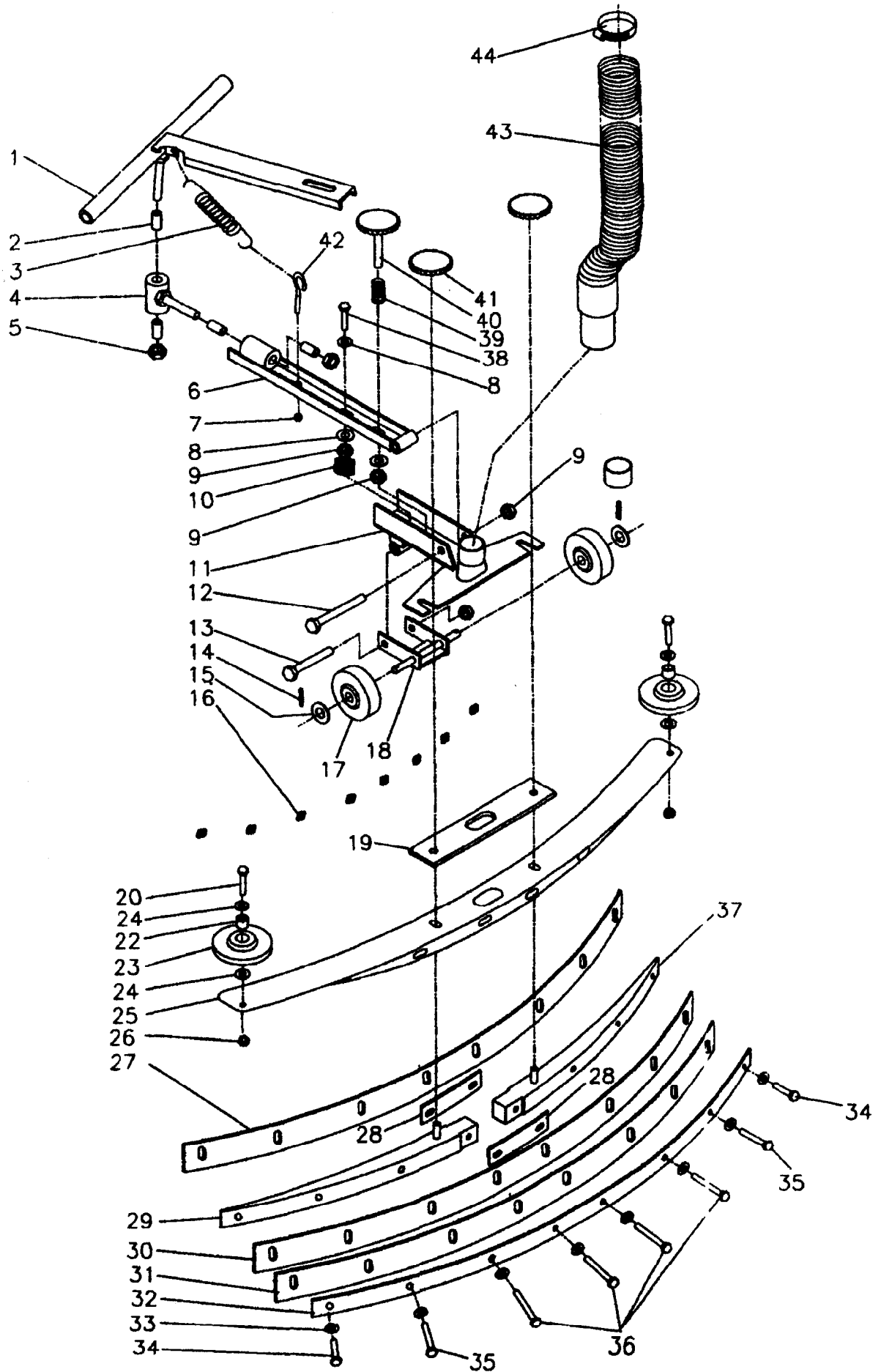
DET. PART NO.	DESCRIPTION	QUANT.	DET. PART NO.	DESCRIPTION	QUANT.		
1	035384	WDMT.SHAFT—ACTUATOR	1	24	027152	ASM.CHARGER PLUG—2 CNDCT	1
2	027076	INSULATION BARRIER—SPLASH CVR	1	25	026713	<del>SOLENOID</del> DF—SWITCH, V	4
3	003274	NUT,HEX-- 6-32,ZN PLT	4	26	001514	SCR TPG F PAN HD 250-20X.375L	16
4	004250	WSHR LK 148ID.250OD.031TSPLT	4	27	004336	WSHR FLT .28 ID 875OD.125T STL	2
5	057176	TUBE,PLSTC—SLIT,.81ODX11.0"L	1	28	003363	NUT,HEX LOCK—250 20,ZN PLT	1
6	026603	SWITCH,LVR—DPST,20A,125-250V	2	29	050575	SPACER,PHEN—281X 875.375L	2
7	005624	PIN,ROLL—.312DIA,1.000"L	2	30	035183	WDMT.ACTUATOR—SQUEEGEE	1
8	035463	WDMT.BACK PANEL—KA-33SS	1				
9	001248	SCR MACH RD HD 6-32X1.00L	4	31	002282	SCR CAP HEX HD 250 20X2 50L	1
10	027131	BRG,FLANGE—.500ID.750OD.500W	2	32	002371	SCR TPG F PAN HD 10-24X 625L	1
				33	027136	RELAY,DPDT 24VDC 10AMPS	1
11	004351	RING,HTNG--EXT,.500 SHAFT,"F"	2	34	005313	SCR TPG F PAN HD 8-32X 312L	2
12	003283	NUT,HEX-- 250-20,ZN PLT	4	35	056623	STRAP,CONDJIT--1IN RIGID	1
13	002278	WSHR LK .262ID.489OD.062TSPLT	4	36	027137	ACTUATOR --.6V.75LBS.3IN STROKE	1
14	048268	SPACER,PLSTC--.500X.625.500L	4	37	002267	SCR CAP HEX HD 250 20X1 50L	1
15	048269	BAR,STL-- 187X.750X 4.00 LONG	2	38	004254	WSHR LK .26 ID 510OD.028T EXT	1
16	004369	WSHR SHLDR.250ID.562OD.120T,NY	4	39	049343	SPACER,STL-- 375X 500.437L,Z	1
17	002269	SCR CAP HEX HD 250-20X1.25L	4	40	026504	SOLENOID--SWITCH SPNO.36VDC	4
18	056597	SPRING,COMP .480D 2.75L .045WD	2				
19	004212	WSHR LK 326ID.586OD.078TSPLT	4	41	054845	GROM--3.00ID,3.50MHD.,12PA	1
20	003242	SCR CAP HEX HD .312-18X.500L	4	42	005316	SCR TPG F PAN HD 10-24X 375L	4
				43	053296	ROD,STL-- 312 DIA.,6.00 LONG	1
21	027138	CONTROL--DC,PROGRAMMABLE	1	44	004297	PIN,COTTER-- .094X .750 LONG	2
22	056672	GROM--2"IDX2.44MHDX.12PA	1	45	048987	COLLAR-CENTERING SPRING	2
23	055434	GROM--1.0ID,1.25MHD.,125PA	1				

# WIRE DIAGRAM



1995-1996 WIRING

# KA-39 SQUEEGEE ASSEMBLY



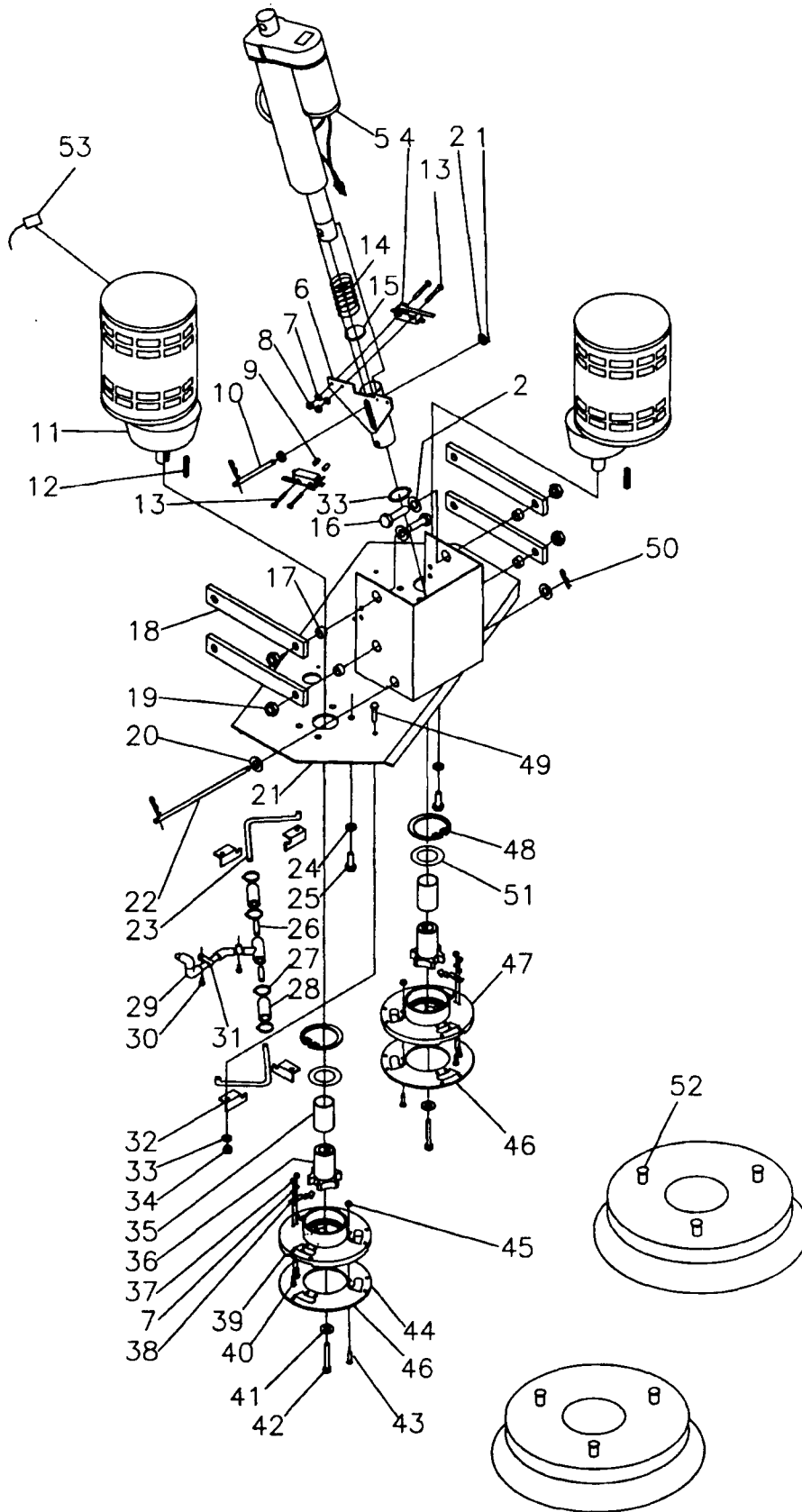
# KA-39 SQUEEGEE PARTS LIST

DET. PART NO.	DESCRIPTION	QUANT.	DET. PART NO.	DESCRIPTION	QUANT.		
1	035139	WDMT,SQUEEGEE LIFT—33&39AUTO	1	24	004218	WSHR FLT .344ID.750OD.060T STL	4
2	027171	BRG,SLV—.500ID,.625OD,.750W	4	25	035101	WELDMENT,SQUEEGEE—39" AUTO	1
3	051136	SPRING,EXT .750D 2.92L .104WD	1	26	003378	NUT,HEX LOCK—.312-18,ZN PLT	2
4	035150	WDMT,SQUEEGEE PIVOT—33&39AUTO	1	27	056632	RUBBER,SQUEEGEE—FRT,39" AUTO	1
5	003370	NUT,HEX LOCK—.500-13,ZN PLT	2	28	056461	CLAMP,SQUEEGEE—11GA,5.00L	2
6	035137	WDMT,SQUEEGEE BAR—33&39AUTOS	1	29	056432	SPACER,SQUEEGEE—LEFT 39" AUTO	1
7	005479	NUT,HEX LOCK—.250-20,NYLOC,ZN	1	30	056633	RUBBER,SQUEEGEE—REAR,39AUTO	1
8	005219	WSHR FLT .406ID1.00OD.071T STL	4	31	056634	RUBBER,SQUEEGEE—BACKUP,39AUTO	1
9	003368	NUT,HEX LOCK—.375-16,ZN PLT	4	32	056635	STRAP,SQUEEGEE—39" AUTO	1
10	056808	SPRING,COMP—.970D,.750L,.072W	1	33	004531	WSHR FLT .281ID.625OD.080T,SS	8
11	035138	WDMT,SQUEEGEE BRACKET—33&39	1	34	002454	SCR CAP HEX HD .250-20X1.50L	2
12	002445	SCR CAP HEX HD .375-16-2.50L	1	35	002476	SCR CAP HEX HD .250-20X2.00L	2
13	003268	SCR CAP HEX HD .375-16X3.00L	1	36	002455	SCR CAP HEX HD .250-20X2.50L	4
14	005383	PIN,COTTER—.094X1.000 LONG	2	37	056431	SPACER,SQUEEGEE—RIGHT,39" AUT	1
15	004223	WSHR FLT .406ID.625OD.036T STL	2	38	002332	SCR CAP HEX HD .375-16X1.75L	1
16	005591	NUT,SELF RETAINING—.250-20	8	39	056585	SPRING,COMP .845D 1.75L .085WD	1
17	057193	WHEEL,PLASTIC—3"OD,3/8"BORE	2	40	035163	ASM,KNOB—ADJUSTMENT,.375-16	1
18	03 37	WDMT,BRACKET—SQUEEGEE WHEEL	1	41	047484	KNOB	2
19	056466	GASKET,SQUEEGEE—.187X2,9.75L	1	42	005594	BOLT,EYE—.250-20,X1.0 SHANK	1
20	003249	SCR CAP HEX HD .312-18X1.25L	2	43	035302	ASM,HOSE—SQUEEGEE,1.5DIA,BLK	1-18 10/14
22	053699	SPACER,STL—.312X.437,.43L	2	44	046688	CLAMP,HOSE—1.75 MAX DIA,WORM	1
23	053720	WHEEL—4.00DIA,.438BORE,.688HB	2				

## AVAILABLE ASSEMBLIES

035099 ASM, SQUEEGEE--INCLUDES ITEMS 16, 19-37  
 035140 ASM, SQUEEGEE LINKAGE--INCLUDES ITEMS 1-18, 38-41  
 035156 ASM, SQUEEGEE - RUBBER SET; ITEMS 27, 30, 31

# KA-39 BRUSH HEAD ASSEMBLY



# KA-39 BRUSH HEAD PARTS LIST

DET. PART NO.	DESCRIPTION	QUANT.	DET. PART NO.	DESCRIPTION	QUANT.
1	005200 PIN,COTTER—.125X1.000 LONG	1	28	056803 TUBE,VINYL—.500X.750, 6.00L	2
2	004238 WSHR FLT .531ID1.00OD.071T STL	4	29	035334 ASM,TUBE—PVC,50L,39"	1
3	005227 WSHR FLT .531ID.875OD.036T STL	2	30	005316 SCR TPG F PAN HD 10-24X.375L	2
4	026603 SWITCH,LVR—DPST,20A,125-250V	2			
5	024368 ACTUATOR,DC—36V,500LBS,6IN	1	31	051474 CLAMP,LOOP—.609 CLOSED I.D.	2
6	035547-02 WDMT,ACTUATOR TUBE—BRUSH LIFT	1	32	053277 BRACKET,SOLN TUBE—.75X.75X1.8	4
7	004250 WSHR LK .148ID.250OD.031TSPLT	8	34	003363 NUT,HEX LOCK—.250-20,ZN PLT	4
8	003274 NUT,HEX— 6-32,ZN PLT	4	35	056464 TUBE,SS—1.50OD,1.6GA,1.937L	2
9	046425 SPACER,PHEN—.250X.437, .250L	2	36	056445 SHAFT,DRIVE—BRUSH,AUTOS	2
10	056155 PIN—ACTUATOR	1	37	003466 NUT,HEX— 6-32,SS	4
11	039623 Shaft + gear		38	056468 CLIP,RETAINING—BRUSH LUG	2
11	024441 ASM,MTR&GEAR UNIT—1HP,W/RINGS	2	39	056447 HUB,DRIVE—BRUSH,AUTOS,RIGHT	1
12	051663 KEY,SQUARE—.250SQ,1.50L	2	40	001515 SCR MACH PAN HD 6-32X.500L	4
13	005261 SCR MACH RD HD 6-32X1.25L	4			
14	054427 SPRING,COMP—1.09D 2.50L.135WD	1	41	005358 WSHR LK—.326ID.586OD.078T SPL	2
15	056639 PLATE,STL—13GA,1.125DIA	1	42	002499 SCR CAP SOC HD .312-18X2.00L	2
16	003270 SCR CAP HEX HD .500-13X1.25L	4	43	002473 SCR MACH FLAT HD 10-24X.875L	12
17	056473 SPACER,STL—.531X.750C .218L,Z	4	44	057159 PLATE,SS—BRUSH MTG RING,RIGHT	1
18	056254 BAR,STL—.375X1.25, 9,25L	4	45	222224 NUT,HEX LOCK— 10-24,ZN PLT	12
19	003370 NUT,HEX LOCK—.500-13,ZN PLT	4	46	057160 PLATE,SS—BRUSH MTG RING,LEFT	1
20	005219 WSHR FLT .406ID1.00OD.071T STL	2	47	056446 HUB,DRIVE—BRUSH,AUTOS,LEFT	1
			48	004529 RING,RTNG—INT,2.375 BORE	2
21	035130 WDMT,BRUSH HEAD—39 DURASCRUB	1	49	002459 SCR CAP HEX HD .250-20X.500LSS	4
22	056474 SHAFT,STL—.375DIA, 8.00L	1	50	004352 PIN,LOCK—.125 DIA WIRE	2
23	055297 TUBE,FORMED—AUTO,SOLN,RIGHT	2			
24	004214 WSHR LK .390ID.683OD.094TSPLT	8	51	004548 WSHR FLT 1.770ID2.342OD.078T	2
25	003262 SCR CAP HEX HD .375-16X1.00L	8	52	005630 LUG,BRUSH—.250-20 THREAD	6
26	055296 TUBE,VINYL—.313X.500,1.75L	2	53	039276 BRUSH,MTR—FOR 024372&027153	8
27	051117 CLAMP,HOSE—.875 MAX DIA,WORM	4			

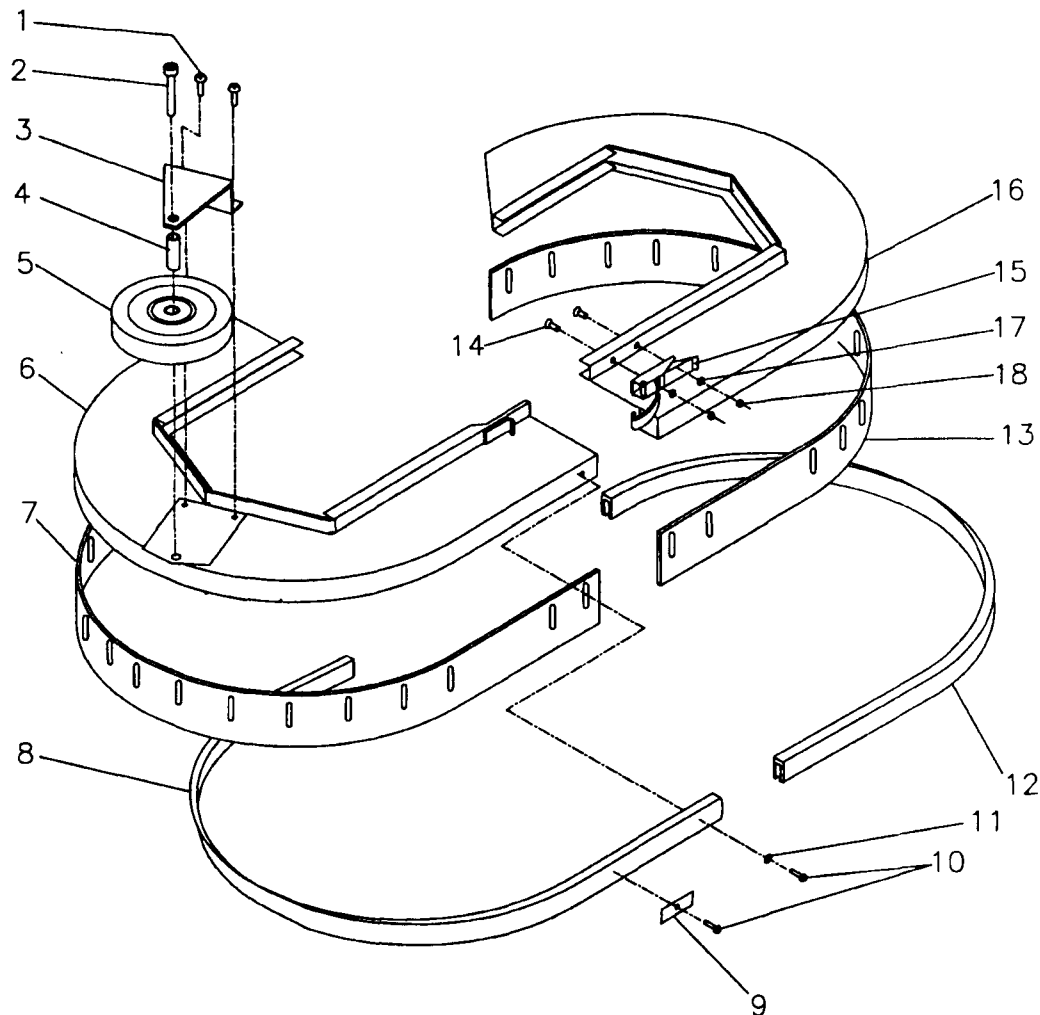
## AVAILABLE ASSEMBLIES

- 035211 ASM, BRUSH HEAD--INCLUDES ITEMS 1-51, 53
- 035212 ASM, SOLUTION LINE--INCLUDES ITEMS 23, 26-31
- 035131 ASM, DRIVE HUB, RIGHT--INCLUDES ITEMS 7, 35-45, 48, 51
- 035132 ASM, DRIVE HUB, LEFT--INCLUDES ITEMS 7, 35-38, 40-43, 45-48, 51





# KA-39 BRUSH COVER ASSEMBLY



TM-1462

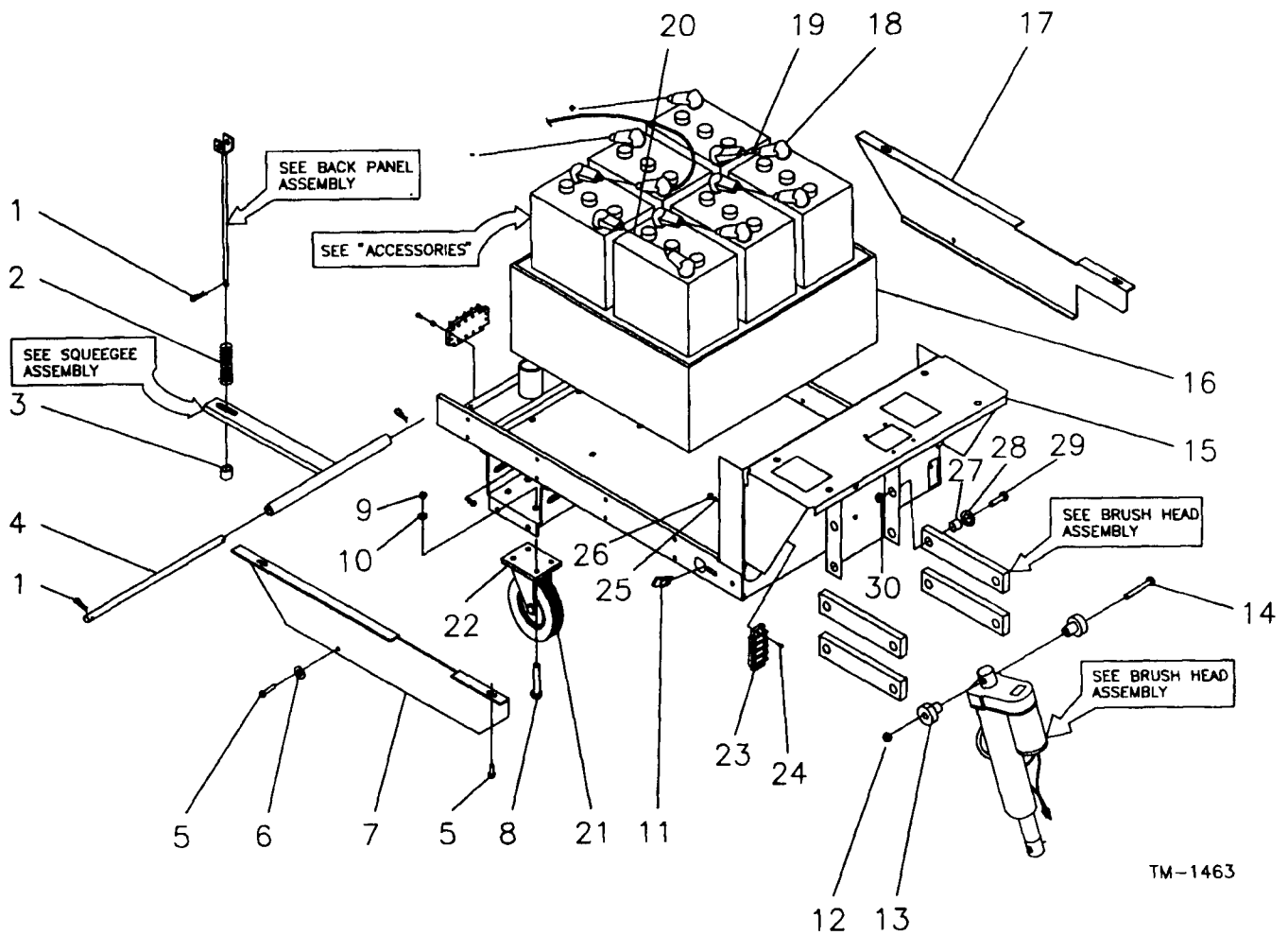
DET. PART NO.	DESCRIPTION	QUANT.	DET. PART NO.	DESCRIPTION	QUANT.		
1	002357	SCR MACH PAN HD .250-20X.625L	2	10	004542	SCR TPG F PAN HD 10-24X.875L	28
2	005536	SCR CAP SOC HD .375-16X2.00L	1	11	005323	WSHR FLT .203ID.500OD.036T STL	4
3	056120	BRACKET—BRUSH HEAD GUIDE	1	12	056729	CHANNEL,RUBBER—BRUSH CVR,39,L	1
4	056684	SPACER,STL—.500X17GA,1.50L,Z	1	13	056668	GUARD,SPLASH—.25X3.00,39,LEFT	1
5	056673	WHEEL,BLACK—5" OD	1	14	001288	SCR MACH FLAT HD 10-24X.500L	2
6	035112	WDMT,BRUSH COVER—39AUTO,RT	1	15	054306	CLAMP,TOGGLE—BLACK,1.62 LATCH	1
7	056730	GUARD,SPLASH—.25X3.00,39,RH	1	16	035113	WDMT,BRUSH COVER—39AUTO,LEFT	1
8	056731	CHANNEL,RUBBER—BRUSH CVR,39,R	1	17	003279	NUT,HEX— 10-24,ZN PLT	2
9	052006	STR,STL—.062X.437X1.50 LONG	24	18	005297	WSHR LK .200ID.334OD.047TSPLT	2

## AVAILABLE ASSEMBLIES

- 035213 ASM, BRUSH COVER, LEFT--INCLUDES ITEMS 9-18  
 035214 ASM, BRUSH COVER, RIGHT--INCLUDES ITEMS 1-11

TM-1462

# KA-39 FRAME ASSEMBLY AND PARTS LIST

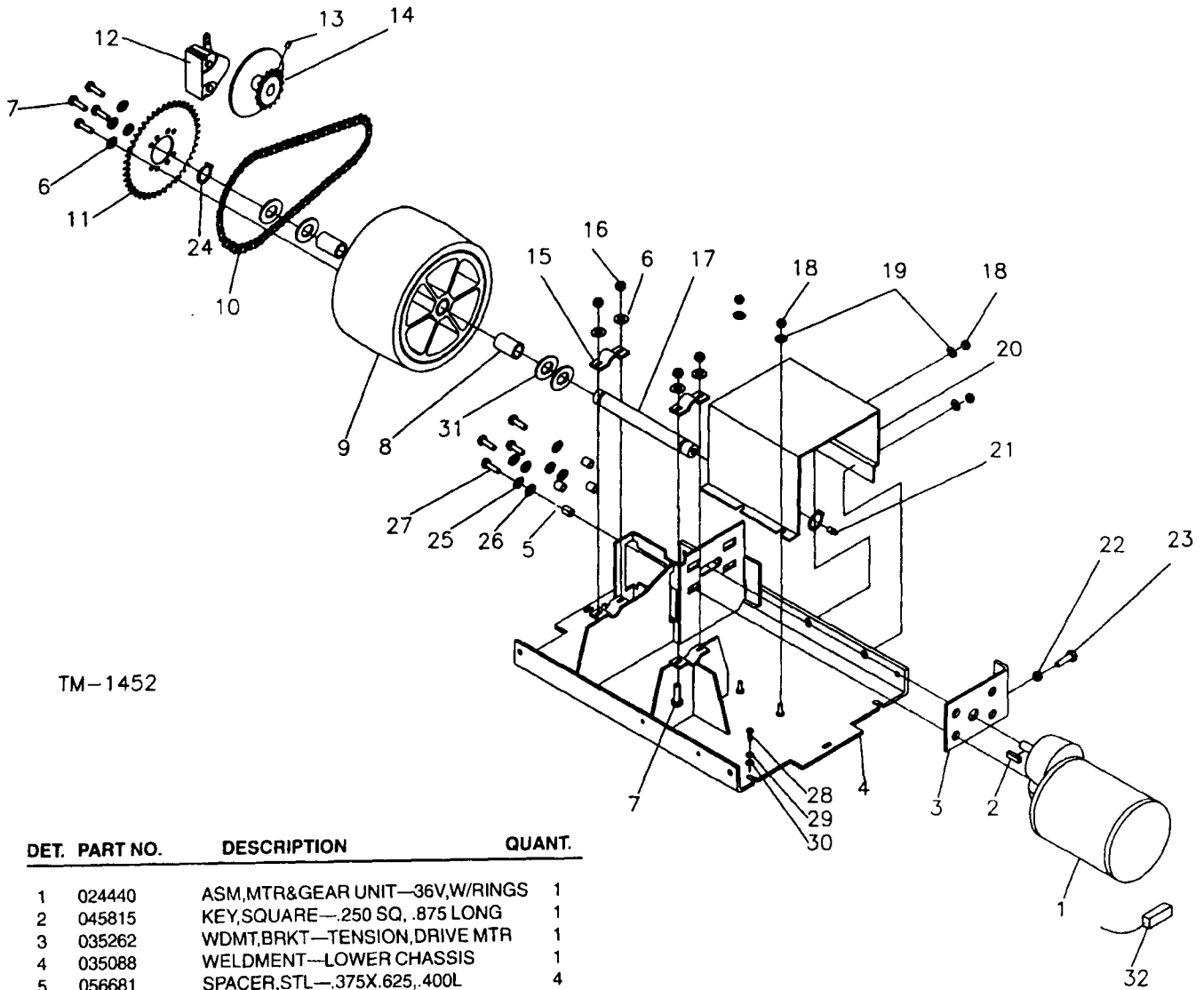


TM-1463

DET. PART NO.	DESCRIPTION	QUANT.	DET. PART NO.	DESCRIPTION	QUANT.		
1	004352	PIN, LOCK— .125 DIA WIRE	3	16	053534	BOX, BATT—32" AUTO'S, MACHINED	1
2	056618	SPRING, COMP— .845D, 3.50L, 100WD	1	17	056357	SKIRT, LOWER—LEFT, DURASCRUB	1
3	056683	SPACER, STL— .391X.625, .500L, Z	1	18	054186	BOOT, INSULATOR—BATT TERMINALS	12
4	056371	SHAFT, STL— .375 DIA, 14.62L	1	19	025085	ASM, WIRE—6GA, BLK, 10.2L, RINGS	4
5	002480	SCR MACH PAN HD .250-20X.625L	6	20	025274	ASM, WIRE—6GA, BLK, 14.0L, RINGS	1
6	004254	WSHR LK .267ID.510OD.028T EXT	6	21	039563	KIT, WHEEL&AXLE—FOR 055658	2
7	056358	SKIRT, LOWER—RIGHT, DURASCRUB	1	21	055658	CASTER, SWIVEL—5.0 DIA, 700 LB	2
8	003262	SCR CAP HEX HD .375-16X1.00L	8	23	026111	TERMINAL BLOCK—4 GERM, 50AMP	2
9	003293	NUT, HEX— .375-16, ZN PLT	8	24	005457	SCR MACH PAN HD 10-24X1.00L	8
10	004214	WSHR LK .390ID.683OD.094TSPLT	8	25	004253	WSHR LK .204ID.410OD.025T EXT	8
7	057424	Label, TD - KA39		26	003279	NUT, HEX— 10-24, ZN PLT	8
11	003429	NUT, SPEED, U— .250-20, .58X1.125	4	27	056473	SPACER, STL— .531X.750C .218L, Z	4
12	005279	NUT, HEX LOCK— .375-16, NYLOC	1	28	004238	WSHR FLT .531ID1.00OD.071T STL	4
13	054502	BSHG, SLV— .377ID.498OB1.00FLNG	2	29	003270	SCR CAP HEX HD .500-13X1.25L	4
14	003267	SCR CAP HEX HD .375-16X2.75L	1	30	003370	NUT, HEX LOCK— .500-13, ZN PLT	4
15	035089	WDMT—UPPER CHASSIS	1	19	025252	Red, Batt +	
				19	025945	Black, Batt -	

TM-1463

# KA-39 CHASSIS ASSEMBLY AND PARTS LIST



TM-1452

DET. PART NO.	DESCRIPTION	QUANT.
1	ASM,MTR&GEAR UNIT—36V,W/RINGS	1
2	KEY,SQUARE—.250 SQ, .875 LONG	1
3	WDMT,BRKT—TENSION,DRIVE MTR	1
4	WELDMNT—LOWER CHASSIS	1
5	SPACER,STL—.375X.625, .400L	4
6	WSHR LK .326ID.586OD.078TSPLT	8
7	SCR CAP HEX HD .312-18X.750L	8
8	BEARING,SLEEVE—1"ID,1.25"OD	2
9	ASM,WHEEL—10"OD,AUTO'S	1
10	CHAIN,ROLLER—#40,70LK&CONN	1
11	SPROCKET,CHAIN—#40,.500P,44T	1
12	BRAKE,MECHANICAL—CALIPER	1
13	SCR SET CUP PT .250-20X.500L	1
14	WDMT,SPROCKET—DURASCRUB	1
15	CLAMP,AXLE—BLACK	2
16	NUT,HEX—.312-18,ZN PLT	4
17	AXLE—1.00 DIA X 9-5/16"L	1
18	NUT,HEX—.250-20,ZN PLT	4
19	WSHR LK .262ID.489OD.062TSPLT	4
20	COVER,MOTOR—AUTOMATICS	1
21	ZERK,GREASE—.250-28 THREAD	1

**9 056242-1 Polywheel**  
**AVAILABLE ASSEMBLIES**

DET. PART NO.	DESCRIPTION	QUANT.
22	NUT,HEX JAM—.375-16,ZN PLT	1
23	SCR CAP HEX HD .375-16X1.75L	1
24	RING,RTNG—EXT,.984 SHAFT,5160	2
25	WSHR LK .390ID.683OD.094TSPLT	4
26	WSHR FLT .406ID.875OD.064T STL	4
27	SCR CAP HEX HD .375-16X1.25L	4
28	SCR CAP HEX HD .375-16X.625L	4
29	WSHR LK .398ID.694OD.040T EXT	4
30	WSHR FLT .375ID1.06OD.120T STL	4
31	WSHR FLT 1.05ID1.50OD.036T STL	4
32	BRUSH,MTR—FOR 024372&027153	4

LC 44781 Masterlink

035096 ASM, LOWER CHASSIS--INCLUDES ITEMS 1-32

TM-1452