



Electronic Service Manuals

This electronic document is provided as a service to our customers. We do not create the contents of the information contained in this document. Should you have detailed questions pertaining to the information contained in this document, you may contact Michco, or the manufacturer which provided the original information in this electronic deliverable. Michco's only part in this electronic deliverable was the electronic assembly process.

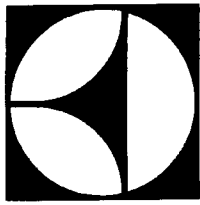
You may contact Michco through the following methods:
Phone (517) 484-9312 or (800) 331-3339 MI, OH, IN only
2011 N. High St. -- Lansing, Michigan -- 48906
Fax: (517) 484-9836
Email: CustServ@Michco.com
Web site: www.Michco.Com
Parts Web site: www.FloorMachineParts.Com

Order Parts on Line at:
www.FloorMachineParts.Com

Directly to Parts & Service:
By Email: **Shop@Michco.com**
By Fax: (517) 702-2041
By Voice: Use numbers above.

Serving the Cleaning Industry Since 1922

Notice: All copyrighted material remains property of original owners, all trademarks are property of respective owners. Manuals are subject to Manufacturer's reproduction limitations. Originals or reproductions were provided by manufacturers through a request. We make no warranty as to the correctness of information provided in this document and you assume all risk.



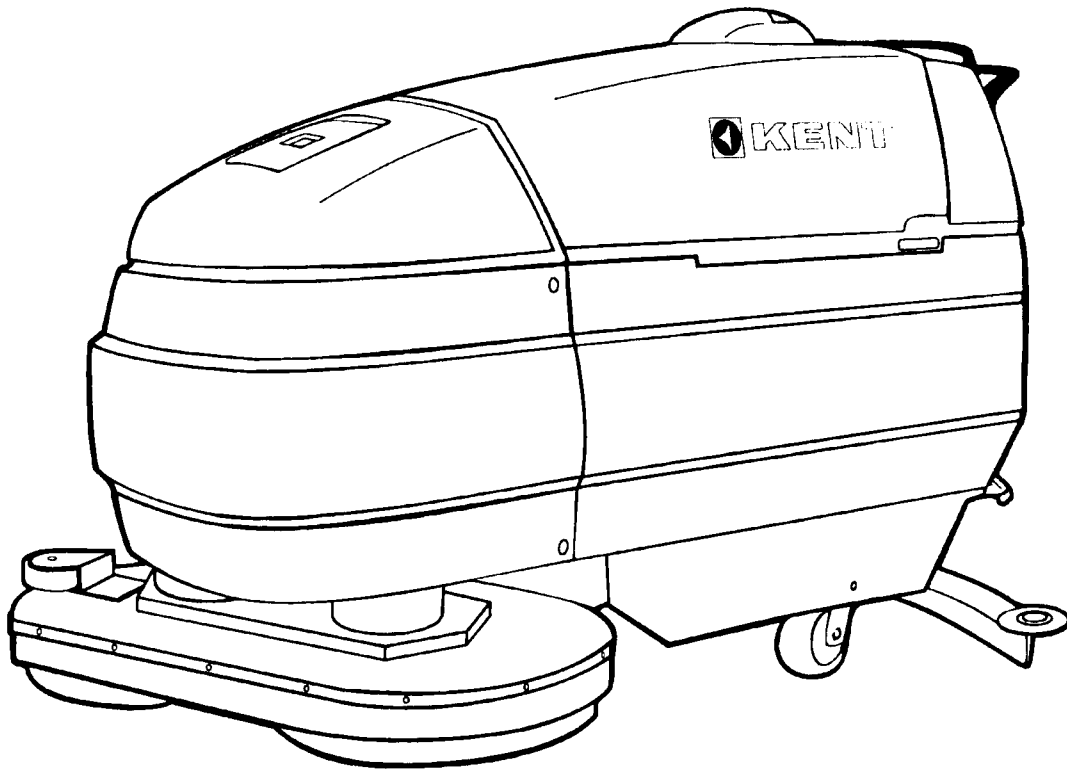
KENT

PARTS MANUAL

SERVICE • PARTS

AUTOMATIC SCRUBBERVAC

KA-33 DuraScrub



EDITION 1
MARCH 1996
083360

THE KENT COMPANY • 2310 INDUSTRIAL PARKWAY • P.O. BOX 1665 • ELKHART, IN 46515, U.S.A.
TEL: (219)293-8661 • (800)334-1083 • FAX: (219)295-8610 • TELEX: 25-8331 KENT CO EKR

TABLE OF CONTENTS

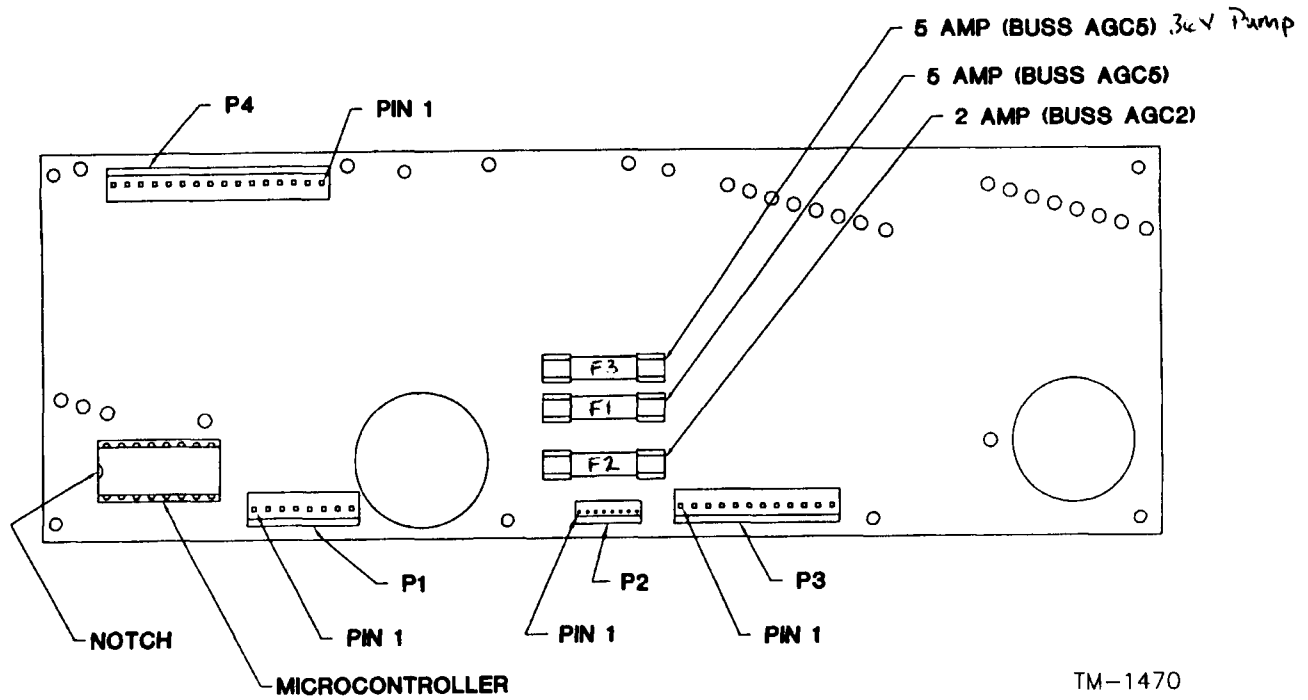
CIRCUIT BOARD CONNECTIONS	2
KA-33 SOLUTION TANK	3,4
KA-33 RECOVERY TANK	5,6
KA-33 BACK PANEL	7,8
KA-33 SYSTEM WIRE DIAGRAM	9,10
KA-33 SQUEEGEE	11,12
KA-33 BRUSH HEAD	13,14
KA-33 REAR COVER	15,16
KA-33 BRUSH COVER	17
KA-33 FRAME	18
KA-33 CHASSIS	19

RECOMMENDED SPARE PARTS

Recommended spare parts should be ordered and stocked to avoid possible down time in case of failure, breakage, or normal wear.

PART NO.	DESCRIPTION	QUANT.
035302	ASM,HOSE--SQUEEGEE,BLK,22"L	1
035129	ASM,HOSE--TANK,BLK,36"L	1
035179	ASM,HOSE--DUMP,1.50 DIA,BLK,40"L	1
039276	BRUSH, MTR--FOR 024372 MTR	4
039428	BRUSH,MTR--FOR 024373 VAC MTR	2
047484	KNOB	1
056428	RUBBER,SQUEEGEE--33" AUTO,FRONT	1
056429	RUBBER,SQUEEGEE--33" AUTO,REAR	1
056430	RUBBER,SQUEEGEE--33" AUTO,BACKUP	1
056466	GASKET,SQUEEGEE--.187X2,9.75L	1
056793	FILTER,SCREEN--1.85ID,SS	1

DURASCRUB SYSTEM CIRCUIT BOARD CONNECTIONS



TM-1470

CONNECTOR P1

PIN 1	TANK PROBE 1 (-), NO.57
PIN 2	TANK PROBE 2 (+), NO.58
PIN 3	BRUSH UP SWITCH (-), NO.17
PIN 4	BRUSH UP SWITCH (+), NO.18
PIN 5	BRUSH DOWN SWITCH (-), NO.23
PIN 6	BRUSH DOWN SWITCH (+), NO.22
PIN 7	ON/OFF HANDLE SWITCH (-), NO.55
PIN 8	ON/OFF HANDLE SWITCH (+), NO.56

PIN 4	(-) JUNCTION BAR, NO.60
PIN 5	(-) JUNCTION BAR, NO.61
PIN 6	(-) JUNCTION BAR, NO.62
PIN 7	WATER PUMP (+), NO.51
PIN 8	WATER PUMP (-), NO.52
PIN 9	LOAD INDICATOR (+), NO.64
PIN 10	LOAD INDICATOR (-), NO.59
PIN 11	BATTERY LOW INDICATOR (+), NO.4
PIN 12	BATTERY LOW INDICATOR (-), NO.8

CONNECTOR P2 (KEYPAD)

Function Pin combinations:

GROUND	PIN 1
WATER FLOW SELECT	PIN 2 & 6
WATER FLOW ON/OFF	PIN 3 & 6
BRUSH PRESSURE (+)	PIN 4 & 6
BRUSH PRESSURE (-)	PIN 5 & 6
BRUSH INSTALL	PIN 2 & 7
BRUSH REMOVE	PIN 3 & 7
VACUUM ON/OFF	PIN 4 & 7
BRUSH ON/OFF	PIN 5 & 7

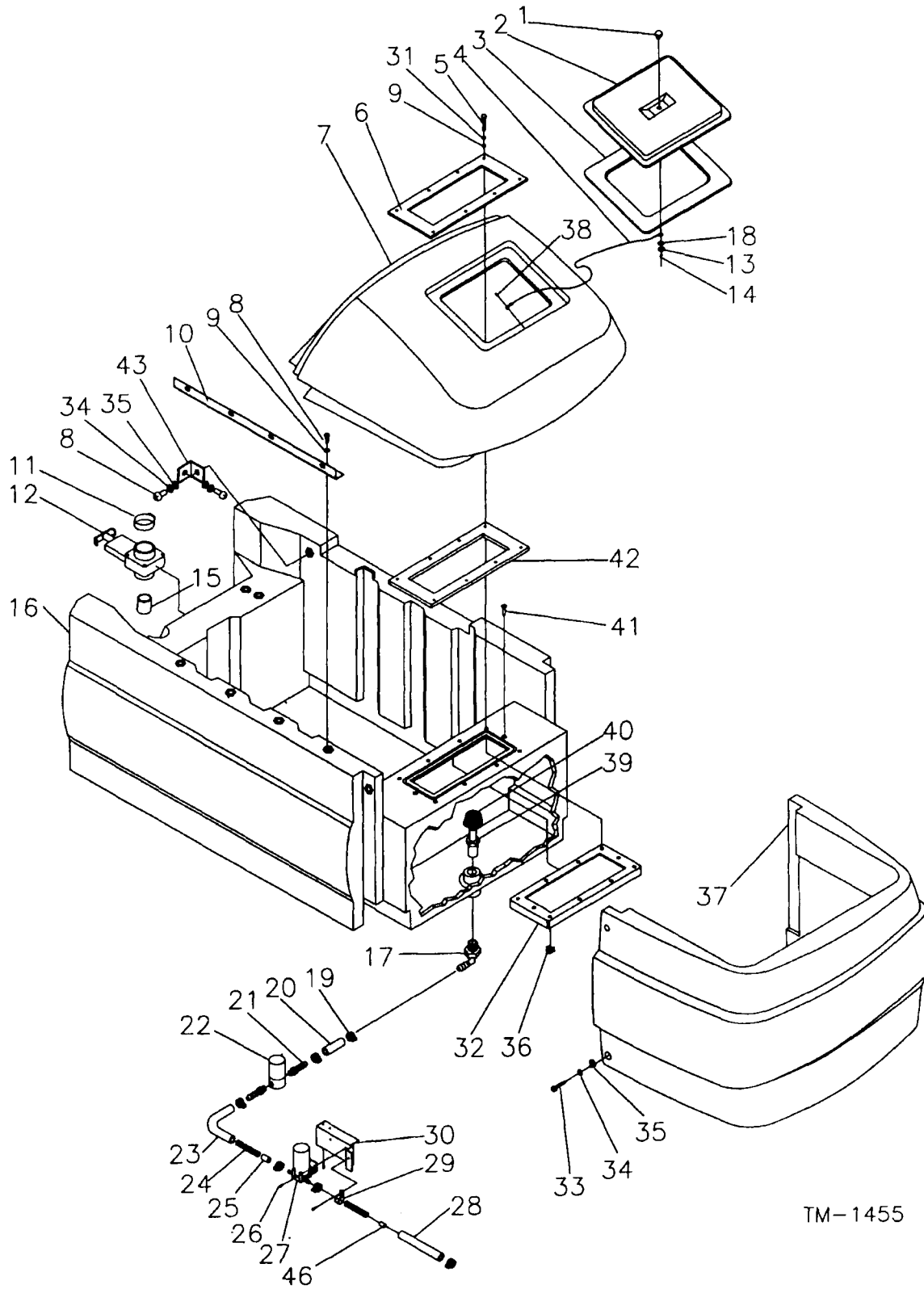
CONNECTOR P4

PIN 1	BRUSH DOWN SOLENOID (+), NO.33
PIN 2	BRUSH DOWN SOLENOID (-), NO.32
PIN 3	BRUSH UP SOLENOID (+), NO.25
PIN 4	BRUSH UP SOLENOID (-), NO.20
PIN 5	NOT USED
PIN 6	NOT USED
PIN 7	REMOVE SOLENOID (+), NO.47
PIN 8	REMOVE SOLENOID (-), NO.48
PIN 9	INSTALL SOLENOID (+), NO.43
PIN 10	INSTALL SOLENOID (-), NO.44
PIN 11	WATER VALVE (+), NO.49
PIN 12	WATER VALVE (-), NO.50
PIN 13	BRUSH ON/OFF SOLENOID (+), NO.45
PIN 14	BRUSH ON/OFF SOLENOID (-), NO.46
PIN 15	VAC SOLENOID (+), NO.53
PIN 16	VAC SOLENOID (-), NO.54

CONNECTOR P3

PIN 1	MAIN SOLENOID, NO.63
PIN 2	NOT USED
PIN 3	NOT USED

KA-33 SOLUTION TANK ASSEMBLY



TM-1455

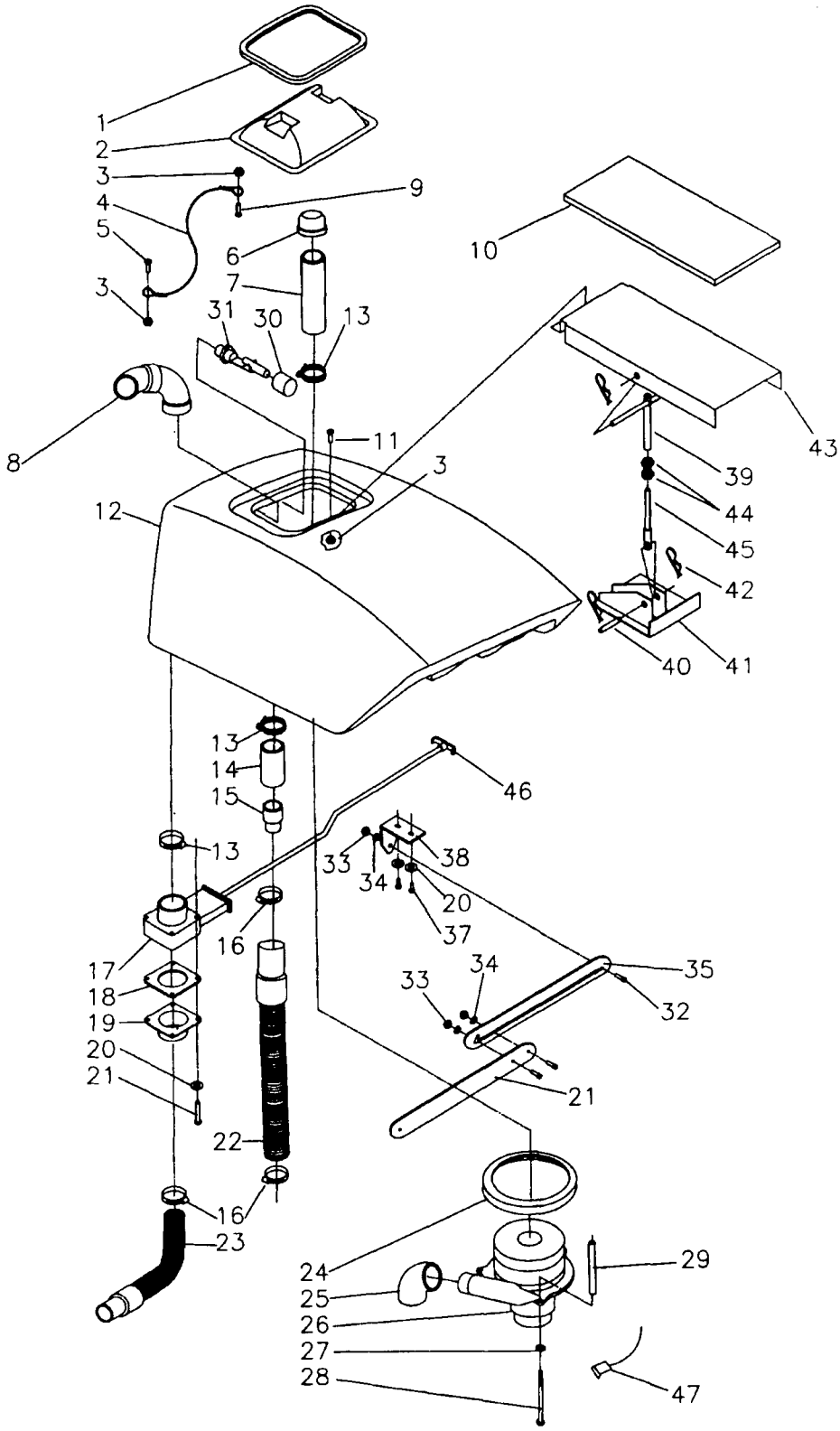
KA-33 SOLUTION TANK PARTS LIST

DET. PART NO.	DESCRIPTION	QUANT.	DET. PART NO.	DESCRIPTION	QUANT.
1	048022	1	23	048505	1
2	056250	1	24	053321	4
3	056379	1	25	056770	2
4	053793	1	26	005316	5
5	002477	8	27	035257	1
6	056524	1	28	057083	1
7	056441	1	29	056682	1
8	005616	8	30	056659	1
9	004207	12	31	002278	8
10	056514	1	32	056338	1
11	049999	1	33	002471	4
12	055070	1	34	004254	4
13	004253	1	35	004208	4
14	005456	1	36	005628	10
15	056593	1	37	056648	1
16	057802-1	1	38	002382	1
17	056231	1	39	051207	1
18	005407	1	40	057209	1
19	051117	6	41	002475	2
20	051514	1	42	056523	1
21	006142	2	43	056857	2
22	027145	1	46	057226	1
6	035454		056764	Wiring Diagram	
6	057187		056821	Decal - Daily maint.	
			056822	Decal - Monthly Maint.	

AVAILABLE ASSEMBLIES

035136 ASM, SOLUTION TANK--INCLUDES ITEMS 1-7, 11-18, 31-32, 36, 38-42

KA-33 RECOVERY TANK ASSEMBLY



TM-1461

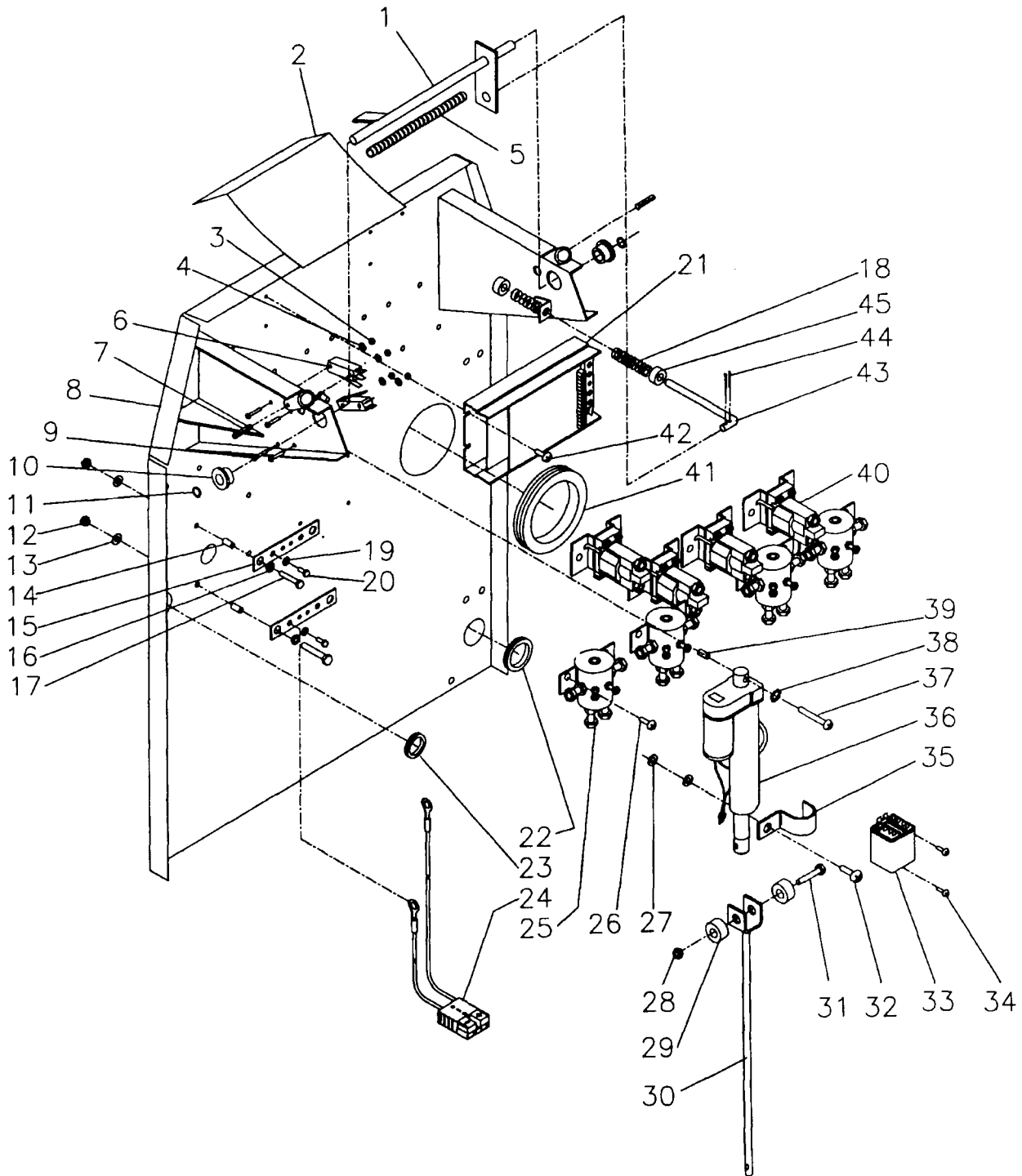
KA-33 RECOVERY TANK PARTS LIST

DET. PART NO.	DESCRIPTION	QUANT.	DET. PART NO.	DESCRIPTION	QUANT.
1 05789c	GASKET,FOAM--EXTR.RECOVERY	1	24 E23788B	RING-MOTOR MOUNTING	1
2 057579	LID,DOMED--DURASCRUB,CLEAR	1	25 056676	ELBOW,PIPE--RS 98402,CUT OFF	1
3 005480	NUT,HEX LOCK-- 10-24,NYLOC	3	26 035240	ASM,VAC MTR--36V,3-STAGE	1
4 056617	WIRE ROPE--.062DIA X 6.00L	1	27 004254	WSHR LK .267ID.510OD 028T EXT	7
5 002382	SCR TPG F PAN HD 10-B X.500L	1	28 223213	SCR CAP HEX HD .250-20X4.00L	3
6 056793	FILTER,SCREEN--1.85ID,SS	1	29 056764	SPACER,PHEN--.265X.500,3.156L	3
7 055494	PIPE,PVC--1.50 SCH40 X 6.00L	1	30 057318	ADPTR,FLOAT--DURA SCRUB	1
8 056758	ASM,ELBOW--RECOVERY TANK	1	31 057002	SWITCH,FLOAT W/WIRE	2
9 002449	SCR MACH PAN HD 10-24X.875L,SS	4	32 002433	SCR SHLDR SOC HD .250X.500L	3
10 057076	GASKET,SUPPORT--33&39AUTO	1	33	NUT,HEX--.250-20,SS	3
11 002491	SCR MACH FLAT HD 10-24X1LSS	1	34 005433	WSHR FLT .281ID.750OD.120T STL	3
12 057297	TANK,REC--MACH'D,KA-33SS	1	35 057508-02	BAR,STL--11GA,W/SLOT,PLATED	1
13 049999	CLAMP,HOSE--2.25 MAX DIA,WORM	3	37 001273	SCR MACH RD HD 10-32X.500L	2
14 056675	TUBE,PVC--AUTO	1	38 057504-02	BRACKET,STL--11GA,PLATED	1
15 053894	FITTING--REDUCER,1.58-1.50,PLS	1	39 035326	WDMT,SUPPORT--AUTOS	1
16 046688	CLAMP,HOSE--1.75 MAX DIA,WORM	2	40 057026	PIN,STL--3/8"OD,SS	1
17 057337	VALVE,SLIDE--33SS, plastic handle	1	41 035365	WDMT,VAC TANK--SUPPORT,33&39	1
18 054762	GASKET,FOAM--.187X2.87X2.87	1	42 004352	PIN,LOCK--.125 DIA WIRE	4
19 035160	WDMT,DRAIN--RECOVERY TANK	1	43 057075	PLATE,STL--VAC TANK SUPPORT	1
20 004253	WSHR LK .204ID.410OD.025T EXT	2	44 003438	NUT,HEX JAM--.375-16,SST	2
21 057505-02	BAR,STL--11GA,PLATED	1	45 035327	WDMT,SUPPORT--REC TANK	1
22 035129	ASM,HOSE--TANK,1.50 DIA,BLK	1	46 057187	HANDLE,SLIDE VALVE--SERVICE	1
23 035179	ASM,HOSE--DUMP,BLK,1.50 DIA	1	47 039428	BRUSH,MTR--FOR 024373 VAC MTR	2

AVAILABLE ASSEMBLIES

035119 ASM, RECOVERY TANK--INCLUDES ITEMS 1-15, 17-21, 24-35, 37-47

KA-33 BACK PANEL ASSEMBLY



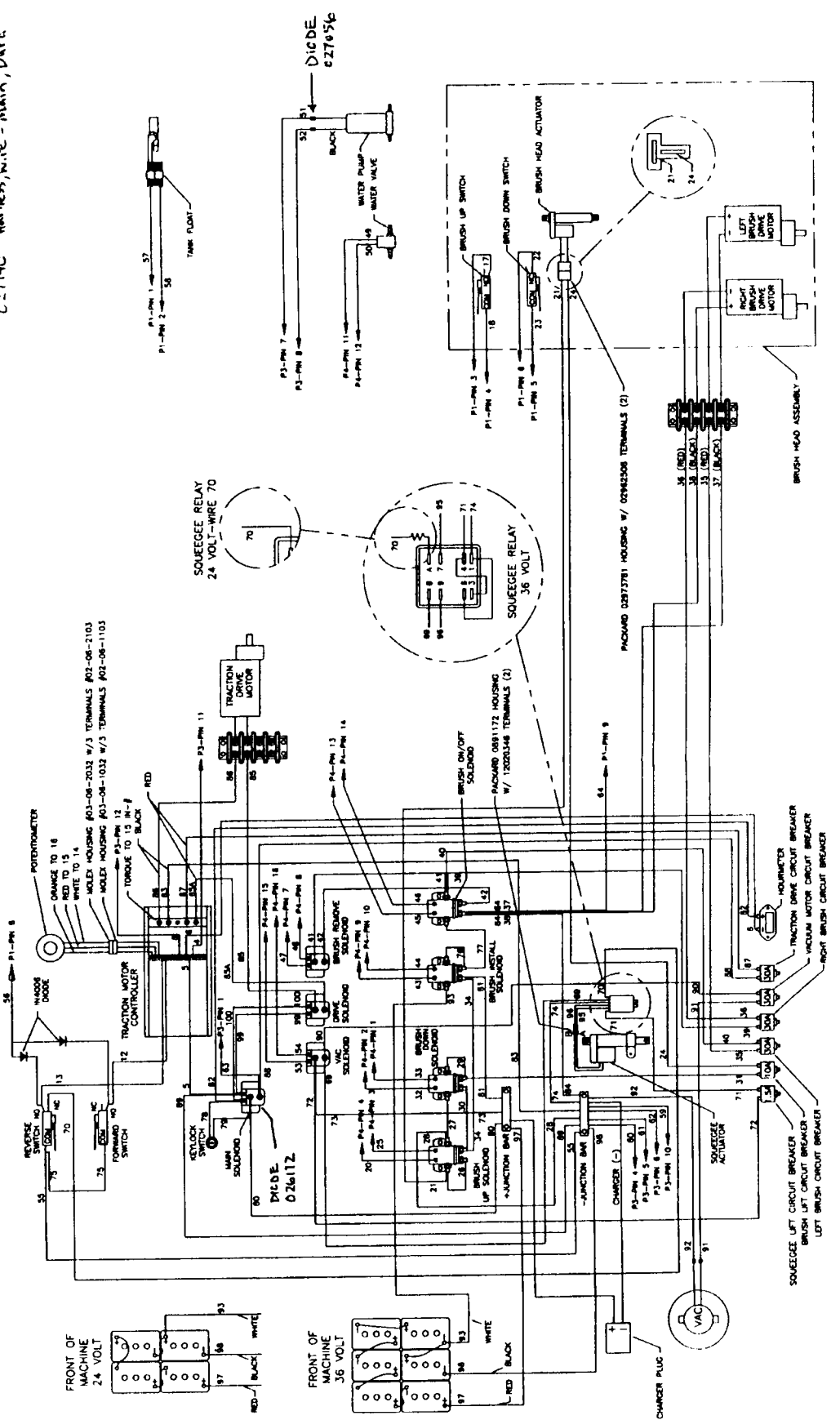
TM-1458

KA-33 BACK PANEL PARTS LIST

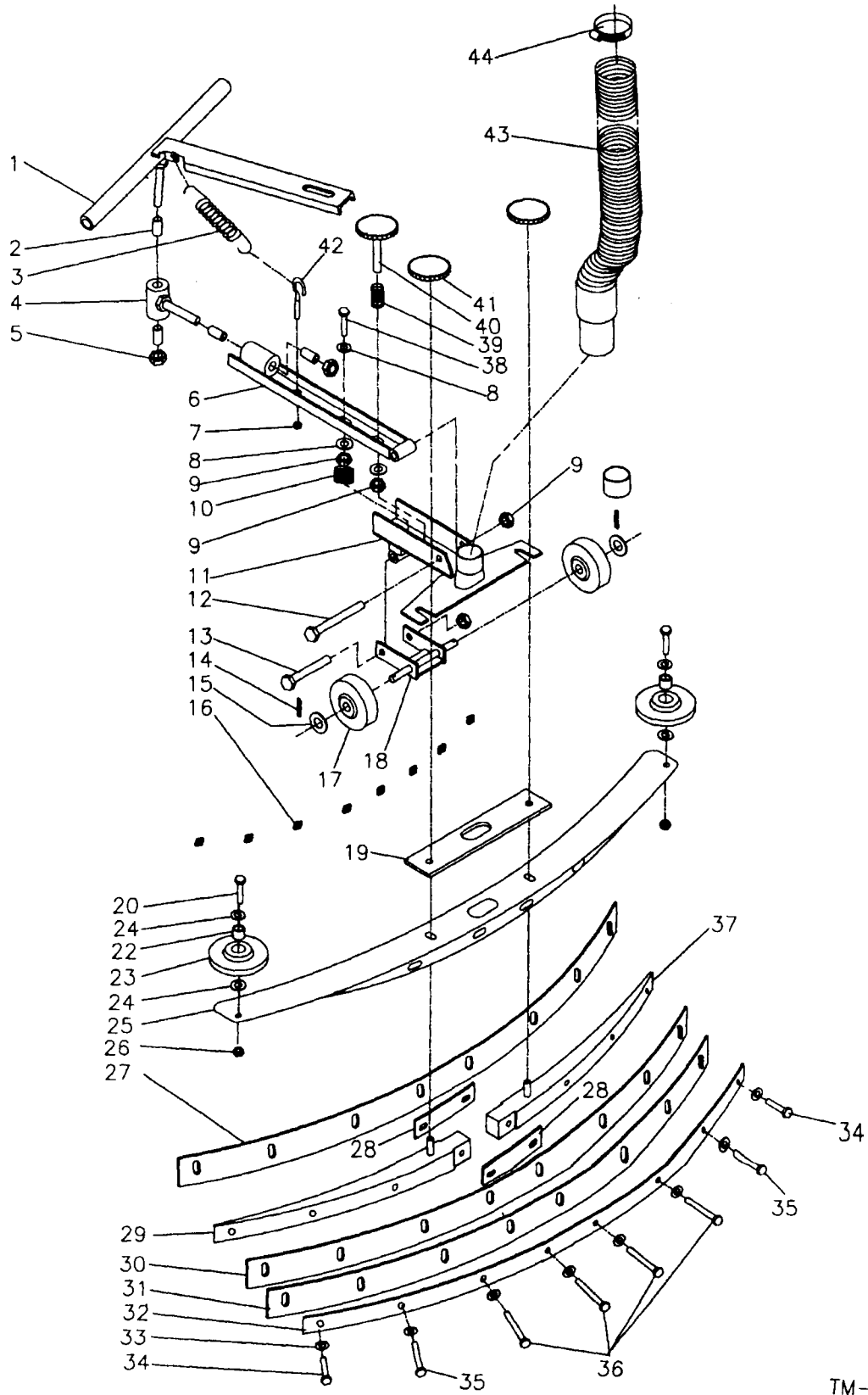
DET.	PART NO.	DESCRIPTION	QUANT.	DET.	PART NO.	DESCRIPTION	QUANT.
1	035384	WDMT,SHAFT—ACTUATOR	1	24	027152	ASM,CHARGER PLUG—2 CNDCT	1
2	027076	INSULATION BARRIER—SPLASH CVR	1	25	026713	SOLENOID DP—SWITCH, 12V	4
3	003274	NUT,HEX— 6-32,ZN PLT	4	26	001514	SCR TPG F PAN HD .250-20X.375L	16
4	004250	WSHR LK .148ID.250OD.031TSPLT	4	27	004336	WSHR FLT .281ID.875OD.125T STL	2
5	057176	TUBE,PLSTC—SLIT,.81ODX11.0"L	1	28	003363	NUT,HEX LOCK— .250-20,ZN PLT	1
6	026603	SWITCH,LVR—DPST,20A,125-250V	2	29	050575	SPACER,PHEN—.281X.875, .375L	2
7	005624	PIN,ROLL—.312DIA,1.000"L	2	30	035183	WDMT,ACTUATOR—SQUEEGEE	1
8	035463	WDMT,BACK PANEL—KA-33SS	1	31	002282	SCR CAP HEX HD .250-20X2.50L	1
9	001248	SCR MACH RD HD 6-32X1.00L	4	32	002371	SCR TPG F PAN HD 10-24X.625L	1
10	027131	BRG,FLANGE—.500ID.750OD.500W	2	33	027136	RELAY,DPDT—24VDC,10AMPS	1
11	004351	RING,RTNG—EXT,.500 SHAFT,"E"	2	34	005313	SCR TPG F PAN HD 8-32X.312L	2
12	003283	NUT,HEX—.250-20,ZN PLT	4	35	056623	STRAP,CONDUIT—1IN RIGID	1
13	002278	WSHR LK .262ID.489OD.062TSPLT	4	36	027137	ACTUATOR—36V.75LBS.3IN STROKE	1
14	048268	SPACER,PLSTC—.500X.625, .500L	4	37	002267	SCR CAP HEX HD .250-20X1.50L	1
15	048269	BAR,STL—.187X.750X 4.00 LONG	2	38	004254	WSHR LK .267ID.510OD.028T EXT	1
16	004369	WSHR SHLDR.250ID.562OD.120T,NY	4	39	049343	SPACER,STL—.375X.500, .437L,Z	1
17	002269	SCR CAP HEX HD .250-20X1.25L	4	40	026504	SOLENOID—SWITCH.SPNO.36VDC	4
18	056597	SPRING,COMP .480D 2.75L .045WD	2	41	054845	GROM—3.00ID.3.50MHD, .12PA	1
19	004212	WSHR LK .326ID.586OD.078TSPLT	4	42	005316	SCR TPG F PAN HD 10-24X.375L	4
20	003242	SCR CAP HEX HD .312-18X.500L	4	43	053296	ROD,STL—.312 DIA, .6.00 LONG	1
21	027138	CONTROL—DC,PROGRAMMABLE	1	44	004297	PIN,COTTER—.094X .750 LONG	2
22	056672	GROM—2"IDX2.44MHDX.12PA	1	45	048987	COLLAR-CENTERING SPRING	2
23	055434	GROM—1.0ID,1.25MHD, .125PA	1				

WIRE DIAGRAM

C-27140 HARNESS, WIRE - MAIN, DATA



KA-33 SQUEEGEE ASSEMBLY



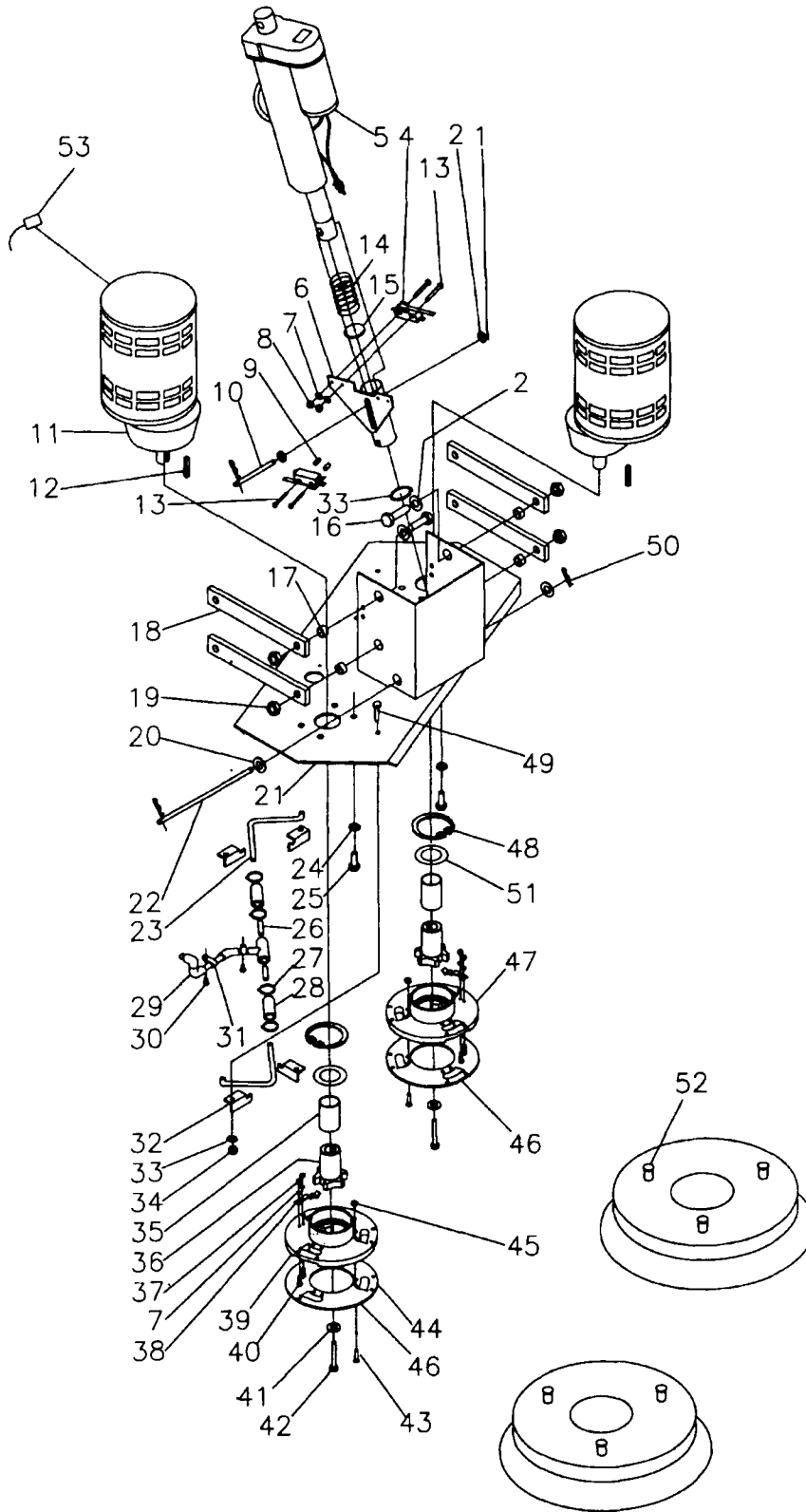
KA-33 SQUEEGEE PARTS LIST

DET.	PART NO.	DESCRIPTION	QUANT.	DET.	PART NO.	DESCRIPTION	QUANT.
1	035139	WDMT,SQUEEGEE LIFT--33&39AUTO	1	24	004218	WSHR FLT .344ID.750OD.060T STL	4
2	027171	BRG,SLV-- .500ID, .625OD, .750W	4	25	035100	WDMT,SQUEEGEE--33AUTO	1
3	051136	SPRING,EXT .750D 2.92L .104WD	1	26	003378	NUT,HEX LOCK-- .312-18,ZN PLT	2
4	035150	WDMT,SQUEEGEE PIVOT--33&39AUTO	1	27	056428	RUBBER,SQUEEGEE--33AUTO,FRONT	1
5	003370	NUT,HEX LOCK--.500-13,ZN PLT	2	28	056461	CLAMP,SQUEEGEE--11GA,5.00L	2
6	035137	WDMT,SQUEEGEE BAR--33&39AUTOS	1	29	056454	SPACER,SQUEEGEE--33AUTO,LEFT	1
7	005479	NUT,HEX LOCK--.250-20,NYLOC,ZN	1	30	056429	RUBBER,SQUEEGEE--33AUTO,REAR	1
8	005219	WSHR FLT .406ID1.00OD.071T STL	4	31	056430	RUBBER,SQUEEGEE--33AUTO,BACKUP1	
9	003368	NUT,HEX LOCK--.375-16,ZN PLT	4	32	056455	STRAP,SQUEEGEE--33AUTO	1
10	056808	SPRING,COMP--.970D,.750L,.072W	1	33	004531	WSHR FLT .281ID.625OD.080T,SS	8
11	035138	WDMT,SQUEEGEE BRACKET--33&39	1	34	002454	SCR CAP HEX HD 250-20X1.50L	2
12	002445	SCR CAP HEX HD .375-16-2.50L	1	35	002476	SCR CAP HEX HD 250-20X2.00L	2
13	003268	SCR CAP HEX HD .375-16X3.00L	1	36	002455	SCR CAP HEX HD 250-20X2.50L	4
14	005383	PIN,COTTER--.094X1.000 LONG	2	37	056434	SPACER,SQUEEGEE-33AUTO,RIGHT	1
15	004223	WSHR FLT .406ID.625OD.036T STL	2	38	002332	SCR CAP HEX HD 375-16X1.75L	1
16	005591	NUT,SELF RETAINING--.250-20	8	39	056585	SPRING,COMP .845D 1.75L .085WD	1
17	057193	WHEEL,PLASTIC--3"OD,3/8"BORE	2	40	035163	ASM,KNOB--ADJUSTMENT,.375-16	1
18	035138	WDMT,BRACKET--SQUEEGEE WHEEL	1	41	047484	KNOB	2
19	056466	GASKET,SQUEEGEE--.187X2.9.75L	1	42	005594	BOLT,EYE--.250-20 X1.0 SHANK	1
20	003249	SCR CAP HEX HD .312-18X1.25L	2	43	035302	ASM,HOSE--SQUEEGEE,1.5DIA,BLK	1-18" long
22	053699	SPACER,STL--.312X.437,.43L	2	44	046688	CLAMP,HOSE--1.75 MAX DIA,WORM	1
23	053720	WHEEL--4.00DIA,.438BORE,.688HB	2				

AVAILABLE ASSEMBLIES

035133 ASM, SQUEEGEE--INCLUDES ITEMS 16, 19-37
 035140 ASM, SQUEEGEE LINKAGE--INCLUDES ITEMS 1-18, 38-41
 039566 ASM, SQUEEGEE rubber set, items 27, 30, 31

KA-33 BRUSH HEAD ASSEMBLY



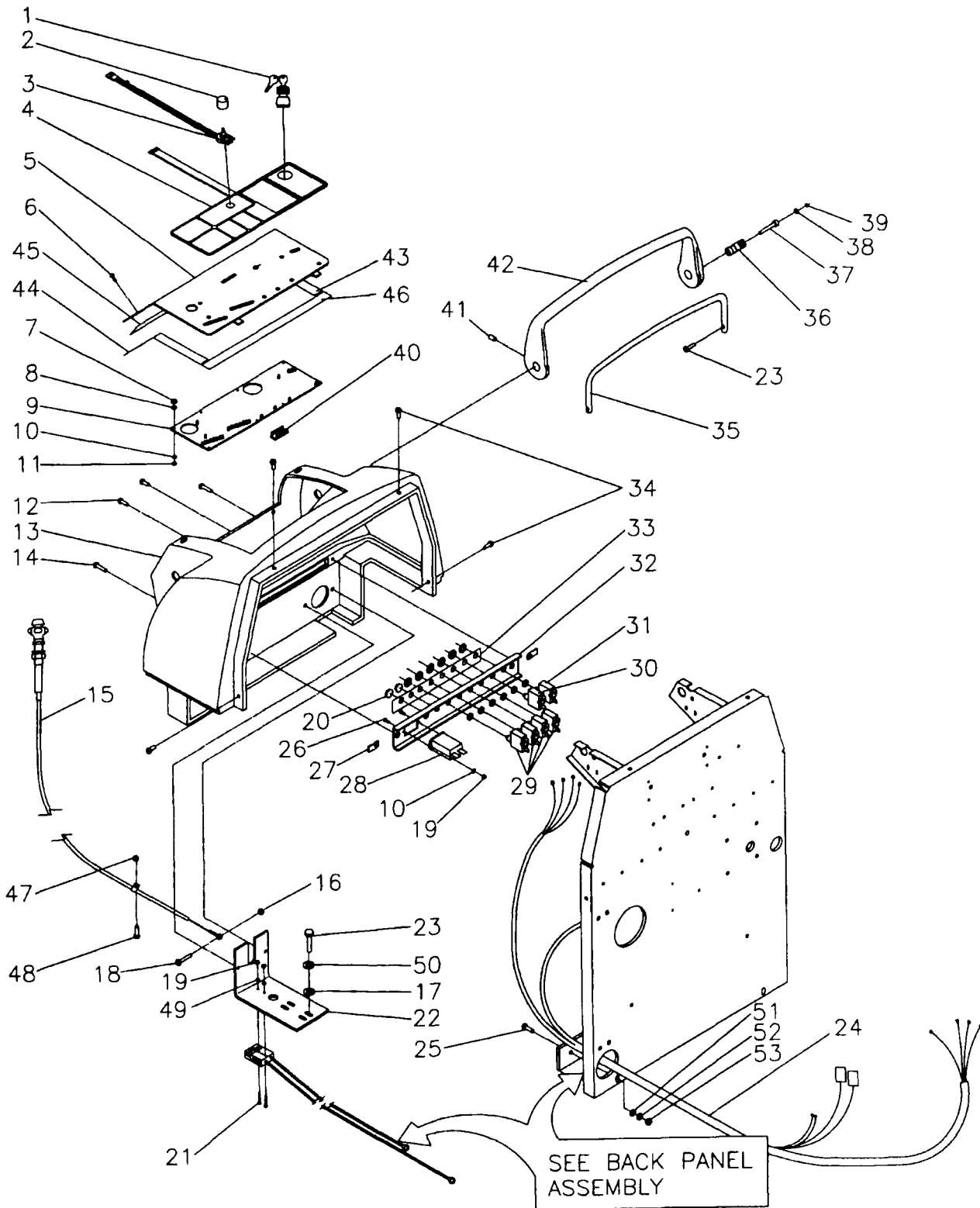
KA-33 BRUSH HEAD PARTS LIST

DET.	PART NO.	DESCRIPTION	QUANT.	DET.	PART NO.	DESCRIPTION	QUANT.
1	005200	PIN,COTTER—.125X1.000 LONG	1	28	051514	TUBE,VINYL—.500X.750, 2.25L	2
2	004238	WSHR FLT .531ID1.00OD.071T STL	4	29	035333	ASM,TUBE—PVC,SOL,33"	1
3	005227	WSHR FLT .531ID.875OD.036T STL	2	30	005316	SCR TPG F PAN HD 10-24X.375L	2
4	026603	SWITCH,LVR—DPST,20A,125-250V	2				
5	024368	ACTUATOR,DC—36V,500LBS,6IN	1	31	051474	CLAMP,LOOP—609 CLOSED I.D.	2
6	035547-02	WDMT,ACTUATOR TUBE—BRUSH LIFT	1	32	053277	BRACKET,SOLN TUBE—.75X.75X1.8	4
7	004250	WSHR LK .148ID.250OD.031TSPLT	8	33	046762	RING,RTNG—INT,1.18 CYL,N5000	1
8	003274	NUT,HEX— 6-32,ZN PLT	4	34	003363	NUT,HEX LOCK—.250-20,ZN PLT	4
9	046425	SPACER,PHEN—.250X.437, .250L	2	35	056464	TUBE,SS—1.50OD,16GA,1.937L	2
10	056155	PIN—ACTUATOR	1	36	056445	SHAFT,DRIVE—BRUSH,AUTOS	2
11	039623	Shaft & Gear		37	003466	NUT,HEX— 6-32,SS	4
11	024440	ASM,MTR&GEAR UNIT—36V,W/RINGS	2	38	056468	CLIP,RETAINING—BRUSH LUG	2
12	051663	KEY,SQUARE—.250SQ,1.50L	2	39	056447	HUB,DRIVE—BRUSH,AUTOS,RIGHT	1
13	005261	SCR MACH RD HD 6-32X1.25L	4	40	001515	SCR MACH PAN HD 6-32X.500L	4
14	054427	SPRING,COMP—1.09D 2.50L.135WD	1				
15	056639	PLATE,STL—13GA,1.125DIA	1	41	005358	WSHR LK—.326ID.586OD.078T SPL	2
16	003270	SCR CAP HEX HD .500-13X1.25L	4	42	002499	SCR CAP SOC HD .312-18X2.00L	2
17	056473	SPACER,STL—.531X.750C.218L,Z	4	43	002473	SCR MACH FLAT HD 10-24X.875L	12
18	056254	BAR,STL—.375X1.25, 9.25L	4	44	057159	PLATE,SS—BRUSH MTG RING,RIGHT	1
19	003370	NUT,HEX LOCK—.500-13,ZN PLT	4	45	222224	NUT,HEX LOCK— 10-24,ZN PLT	12
20	005219	WSHR FLT .406ID1.00OD.071T STL	2	46	057160	PLATE,SS—BRUSH MTG RING,LEFT	1
				47	056446	HUB,DRIVE—BRUSH,AUTOS,LEFT	1
21	035078	WDMT,BRUSH HEAD—33 DURASCRUB	1	48	004529	RING,RTNG—INT,2.375 BORE	2
22	056474	SHAFT,STL—.375DIA, 8.00L	1	49	002459	SCR CAP HEX HD .250-20X.500LSS	4
23	055297	TUBE,FORMED—AUTO,SOLN,RIGHT	2	50	004352	PIN,LOCK—.125 DIA WIRE	2
24	004214	WSHR LK .390ID.683OD.094TSPLT	8				
25	003262	SCR CAP HEX HD .375-16X1.00L	8	51	004548	WSHR FLT 1.770ID2.342OD.078T	2
26	055296	TUBE,VINYL—.313X.500,1.75L	2	52	005630	LUG,BRUSH—.250-20 THREAD	6
27	051117	CLAMP,HOSE—.875 MAX DIA,WORM	4	53	039276	BRUSH,MTR—FOR 024372&027153	8

AVAILABLE ASSEMBLIES

- 035079 ASM, BRUSH HEAD--INCLUDES ITEMS 1-51, 53
- 035121 ASM, SOLUTION LINE--INCLUDES ITEMS 23, 26-31
- 035131 ASM, DRIVE HUB, RIGHT--INCLUDES ITEMS 7, 35-45, 48, 51
- 035132 ASM, DRIVE HUB, LEFT--INCLUDES ITEMS 7, 35-38, 40-43, 45-48, 51

KA-33 REAR COVER ASSEMBLY



KA-33 REAR COVER PARTS LIST

DET.	PART NO.	DESCRIPTION	QUANT.	DET.	PART NO.	DESCRIPTION	QUANT.
1	057143	Master Key		28	027147	HOURMETER--10-80VDC,RECTANG	1
2	026584	STARTER-SWITCH-LOCKING	1	29	026198	CIRCUIT BREAKER--30AMP,SCR TRM	4
3	056596	KNOB,PLASTIC--BLACK,.92DIA X.95	1	30	026751	CIRCUIT BREAKER--10AMP	1
4	027157	ASM,POTENTIOMETER--W/PLUG	1	31	027146	CIRCUIT BREAKER--1.5AMP	1
5	027128	SWITCH PANEL--MEMBRANE,AUTOS	1	32	056499	PANEL,CIRCUIT BREAKER--AUTOS	1
6	035128	WDMT,INSTR PANEL--33&39	1	33	056649	LABEL,IDENT--CIRCUIT BREAKERS	1
7	002382	SCR TPG F PAN HD 10-B X.500L	6	34	002371	SCR TPG F PAN HD 10-24X.625L	4
8	046425	SPACER,PHEN--.250X.437, .250L	8	35	056595	HANDLE,STL--.625DIA,PAINTED	1
9	004200	WSHR FLT.,156ID.310OD.065T BRS	8	36	056359	SHAFT,STL--.750DIA,1.75L	2
10	004249	BOARD,CIRCUIT--SYSTEM,3	1	37	002337	SCR CAP SOC HD 250-20X1.50L	2
		WSHR LK .150ID.320OD.022T EXT	10	38	004208	WSHR FLT .281ID.500OD.036T STL	2
11	003274	NUT,HEX-- 6-32,ZN PLT	8	39	056761	RING,RTNG--INT.,500BORE,N5000	2
12	002343	SCR TPG F PAN HD .250-20X.500L	2	40	027156	MICROCONTROLLER--STD	1
13	056368	COVER,REAR--MACHINED,AUTOS	1	41	005387	SCR SET CUP PT .312-18X.500L	2
14	002334	SCR MACH RD HD .250-20X.750L	2	42	056594	HANDLE,ACTUATOR--AUTOS,PAINTED	1
15	056323	ASM,CABLE--BRAKE,VERNIER CNTRL	1	43	057308	GASKET--.125x.500,8.656L,LEFT	1
16	005479	NUT,HEX LOCK--.250-20,NYLOC,ZN	2	44	057309	GASKET--.125x.500,8.656L	1
17	004254	WSHR LK .267ID.510OD.028T EXT	4	45	057310	GASKET--.125x.500,11.75L	1
18	005456	SCR MACH PAN HD 10-24X.500L	2	46	057306	GASKET--.125x.500,13.75L,TOP	1
19	003274	NUT,HEX-- 6-32,ZN PLT	4	47	005480	NUT,HEX LOCK-- 10-24,NYLOC	1
20	057103	PLUG,BUTTON--.500MHD,BLACK,PLS	2	48	002243	SCR CAP HEX HD 250-20X.625L	1
21	001248	SCR MACH RD HD 6-32X1.00L	2	49	004250	WSHR LK .148ID.250OD.031TSPLT	2
22	056840	BRACKET,STL--11GA,BRAKE	1	50	002278	WSHR LK .262ID.489OD.062TSPLT	2
23	005478	SCR MACH RD HD .250-20X.500L	2	51	004218	WSHR FLT .344ID.750OD.060T STL	2
24	027140	HARNESS,WIRE--MAIN,DURASCRUB	1	52	004212	WSHR LK .326ID.586OD.078TSPLT	2
25	003244	SCR CAP HEX HD .312-18X.750L	2	53	003349	NUT,HEX--.312-18,ZN PLT	2
26	223188	SCR MACH PAN HD 6-32X.500L	2	54	057243	KEY,AUTOMATICS--FOR P/N 026584	1
27	003429	NUT,SPEED,U--.250-20,.58X1.125	2				

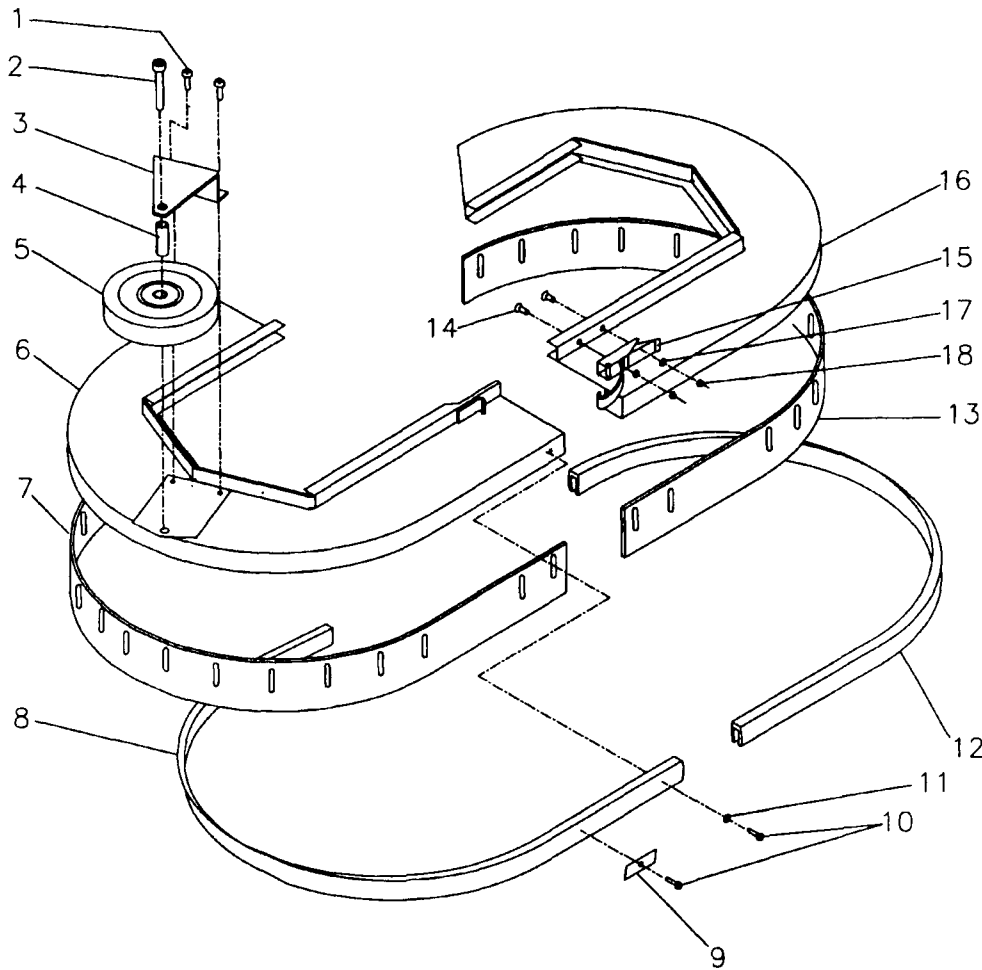
29 00 2373

29 00 4249

AVAILABLE ASSEMBLIES

035127 ASM, INSTRUMENT PANEL--INCLUDES ITEMS 1, 2, 4, 5, 7-11, 40, 43-46

KA-33 BRUSH COVER ASSEMBLY



TM-1462

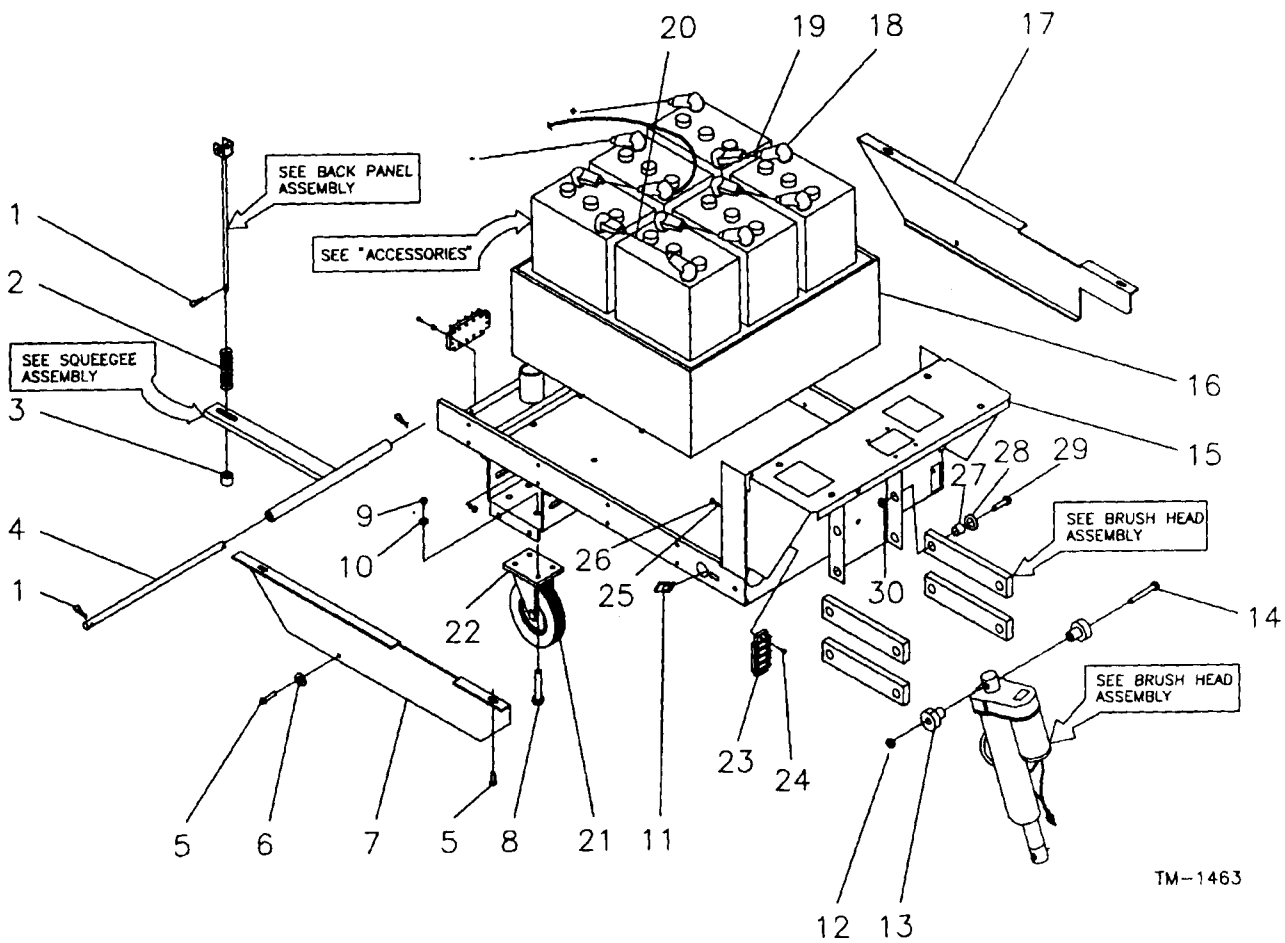
DET. PART NO.	DESCRIPTION	QUANT.	DET. PART NO.	DESCRIPTION	QUANT.		
1	002357	SCR MACH PAN HD .250-20X.625L	2	10	004542	SCR TPG F PAN HD 10-24X.875L	22
2	005536	SCR CAP SOC HD .375-16X2.00L	1	11	005323	WSHR FLT .203ID.500OD.036T STL	4
3	056701	BRACKET,BUMPER WHEEL— AUTO	1	12	056493	CHANNEL,VINYL—BRUSH CVR. ,LT	1
4	056684	SPACER,STL—.500X17GA,1.50L,Z	1	13	056491	GUARD,SPLASH— ,AUTO,LEFT	1
5	056673	WHEEL,BLACK—5" OD	1	14	001288	SCR MACH FLAT HD 10-24X.500L	2
6	035	WDMT,BRUSH COVER— ,AUTO,RT	1	15	054306	CLAMP,TOGGLE—BLACK,1.62 LATCH	1
7	056490	GUARD,SPLASH— ,AUTO,RIGHT	1	16	035	WDMT,BRUSH COVER— ,AUTO,LEFT	1
8	056492	CHANNEL,VINYL—BRUSH CVR. ,RT	1	17	003279	NUT,HEX— 10-24,ZN PLT	2
9	052006	STR,STL—.062X.437X1.50 LONG	18	18	005297	WSHR LK .200ID.334OD.047TSPLT	2

AVAILABLE ASSEMBLIES

- 035124 ASM, BRUSH COVER, LEFT--INCLUDES ITEMS 9-18
- 035125 ASM, BRUSH COVER, RIGHT--INCLUDES ITEMS 1-11

TM-1466

KA-33 FRAME ASSEMBLY AND PARTS LIST

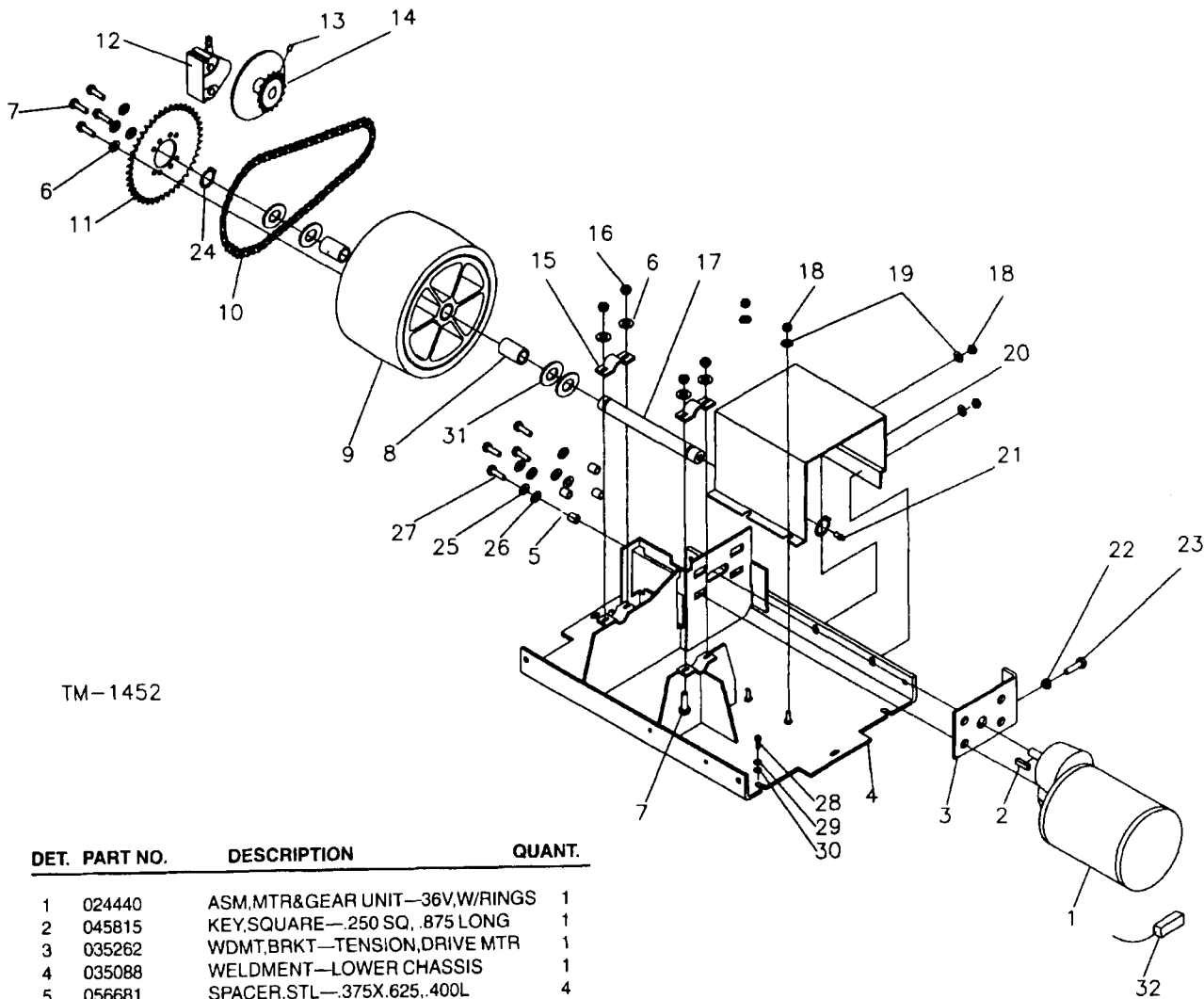


TM-1463

DET. PART NO.	DESCRIPTION	QUANT.	DET. PART NO.	DESCRIPTION	QUANT.
1 004352	PIN, LOCK— .125 DIA WIRE	3	16 053534	BOX, BATT—32" AUTO'S, MACHINED	1
2 056618	SPRING, COMP— .845D, 3.50L, 100WD	1	17 056357	SKIRT, LOWER—LEFT, DURASCRUB	1
3 056683	SPACER, STL— .391X.625, .500L, Z	1	18 054186	BOOT, INSULATOR—BATT TERMINALS	12
4 056371	SHAFT, STL— .375 DIA, 14.62L	1	19 025085	ASM, WIRE—6GA, BLK, 10.2L, RINGS	4
5 002480	SCR MACH PAN HD .250-20X.625L	6	20 025274	ASM, WIRE—6GA, BLK, 14.0L, RINGS	1
6 004254	WSHR LK .267ID.510OD.028T EXT	6			
7 056358	SKIRT, LOWER—RIGHT, DURASCRUB	1	21 039563	KIT, WHEEL&AXLE—FOR 055658	2
8 003262	SCR CAP HEX HD .375-16X1.00L	8	21 055658	CASTER, SWIVEL—5.0 DIA, 700 LB	2
9 003293	NUT, HEX— .375-16, ZN PLT	8	23 026111	TERMINAL BLOCK—4 GERM, 50AMP	2
10 004214	WSHR LK .390ID.683OD.094TSPLT	8	24 005457	SCR MACH PAN HD 10-24X1.00L	8
11 003429	NUT, SPEED, U— .250-20, .58X1.125	4	25 004253	WSHR LK .204ID.410OD.025T EXT	8
12 005279	NUT, HEX LOCK— .375-16, NYLOC	1	26 003279	NUT, HEX— 10-24, ZN PLT	8
13 054502	BSHG, SLV— .377ID.498OB1.00FLNG	2	27 056473	SPACER, STL— .531X.750C .218L, Z	4
14 003267	SCR CAP HEX HD .375-16X2.75L	1	28 004238	WSHR FLT .531ID1.00OD.071T STL	4
15 035089	WDMT—UPPER CHASSIS	1	29 003270	SCR CAP HEX HD .500-13X1.25L	4
			30 003370	NUT, HEX LOCK— .500-13, ZN PLT	4
			19 025252	Red, Batt. +	
			19 025245	Black, Batt. -	

TM-1463

KA-33 CHASSIS ASSEMBLY AND PARTS LIST



TM-1452

DET.	PART NO.	DESCRIPTION	QUANT.
1	024440	ASM.MTR&GEAR UNIT—36V,W/RINGS	1
2	045815	KEY,SQUARE—.250 SQ. .875 LONG	1
3	035262	WDMT,BRKT—TENSION,DRIVE MTR	1
4	035088	WELDMNT—LOWER CHASSIS	1
5	056681	SPACER,STL—.375X.625.400L	4
6	004212	WSHR LK .326ID.586OD.078TSPLT	8
7	003244	SCR CAP HEX HD .312-18X.750L	8
8	027130	BEARING,SLEEVE—1"ID,1.25"OD	2
9	035097	ASM,WHEEL—10"OD,AUTO'S	1
10	056448	CHAIN,ROLLER—#40,70LK&CONN	1
9	056242-1	<i>Polywheel</i>	
11	051376	SPROCKET,CHAIN—#40,.500P,44T	1
12	056245	BRAKE,MECHANICAL—CALIPER	1
13	002234	SCR SET CUP PT .250-20X.500L	1
14	035141	WDMT,SPROCKET—DURASCRUB	1
15	056327	CLAMP,AXLE—BLACK	2
16	003349	NUT,HEX—.312-18,ZN PLT	4
17	056258	AXLE—1.00 DIA X 9-5/16"L	1
18	003283	NUT,HEX—.250-20,ZN PLT	4
19	002278	WSHR LK .262ID.489OD.062TSPLT	4
20	056405	COVER,MOTOR—AUTOMATICS	1

10 044781 *masta Link*

DET.	PART NO.	DESCRIPTION	QUANT.
21	054330	ZERK,GREASE—.250-28 THREAD	1
22	003294	NUT,HEX JAM—.375-16,ZN PLT	1
23	002332	SCR CAP HEX HD .375-16X1.75L	1
24	048537	RING,RTNG—EXT,.984 SHAFT,5160	2
25	004214	WSHR LK .390ID.683OD.094TSPLT	4
26	004384	WSHR FLT .406ID.875OD.064T STL	4
27	003264	SCR CAP HEX HD .375-16X1.25L	4
28	003259	SCR CAP HEX HD .375-16X.625L	4
29	004215	WSHR LK .398ID.694OD.040T EXT	4
30	004318	WSHR FLT .375ID1.06OD.120T STL	4
31	004330	WSHR FLT 1.05ID1.50OD.036T STL	4
32	039276	BRUSH,MTR—FOR 024372&027153	4

AVAILABLE ASSEMBLIES

035096 ASM, LOWER CHASSIS--INCLUDES ITEMS 1-32

TM-1452