



Electronic Service Manuals

This electronic document is provided as a service to our customers. We do not create the contents of the information contained in this document. Should you have detailed questions pertaining to the information contained in this document, you may contact Michco, or the manufacturer which provided the original information in this electronic deliverable. Michco's only part in this electronic deliverable was the electronic assembly process.

You may contact Michco through the following methods:
Phone (517) 484-9312 or (800) 331-3339 MI, OH, IN only
2011 N. High St. -- Lansing, Michigan -- 48906
Fax: (517) 484-9836
Email: CustServ@Michco.com
Web site: www.Michco.Com
Parts Web site: www.FloorMachineParts.Com

Order Parts on Line at:
www.FloorMachineParts.Com

Directly to Parts & Service:
By Email: **Shop@Michco.com**
By Fax: (517) 702-2041
By Voice: Use numbers above.

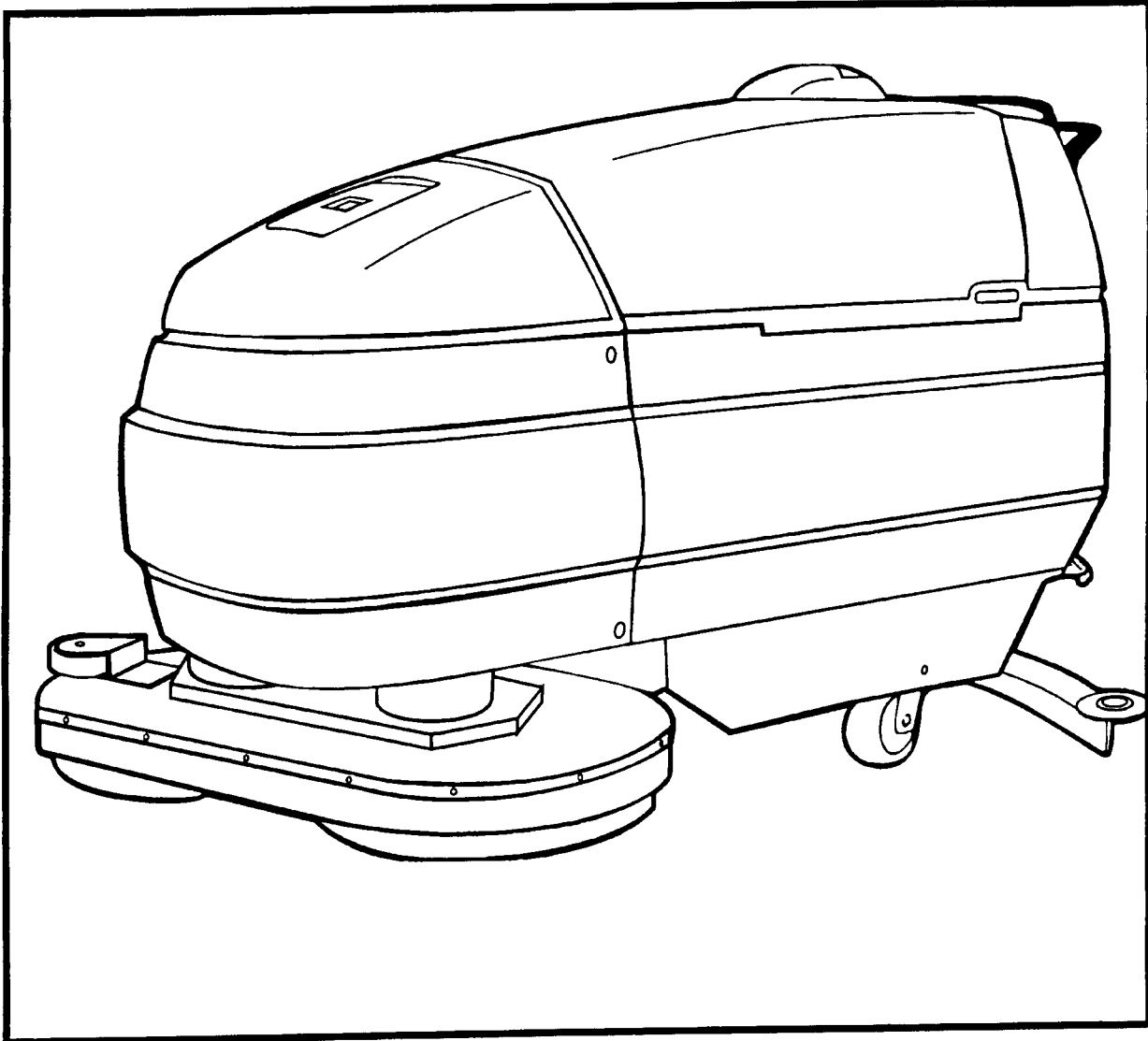
Serving the Cleaning Industry Since 1922

Notice: All copyrighted material remains property of original owners, all trademarks are property of respective owners. Manuals are subject to Manufacturer's reproduction limitations. Originals or reproductions were provided by manufacturers through a request. We make no warranty as to the correctness of information provided in this document and you assume all risk.



KENT

PARTS



KA-33

Spare Parts List

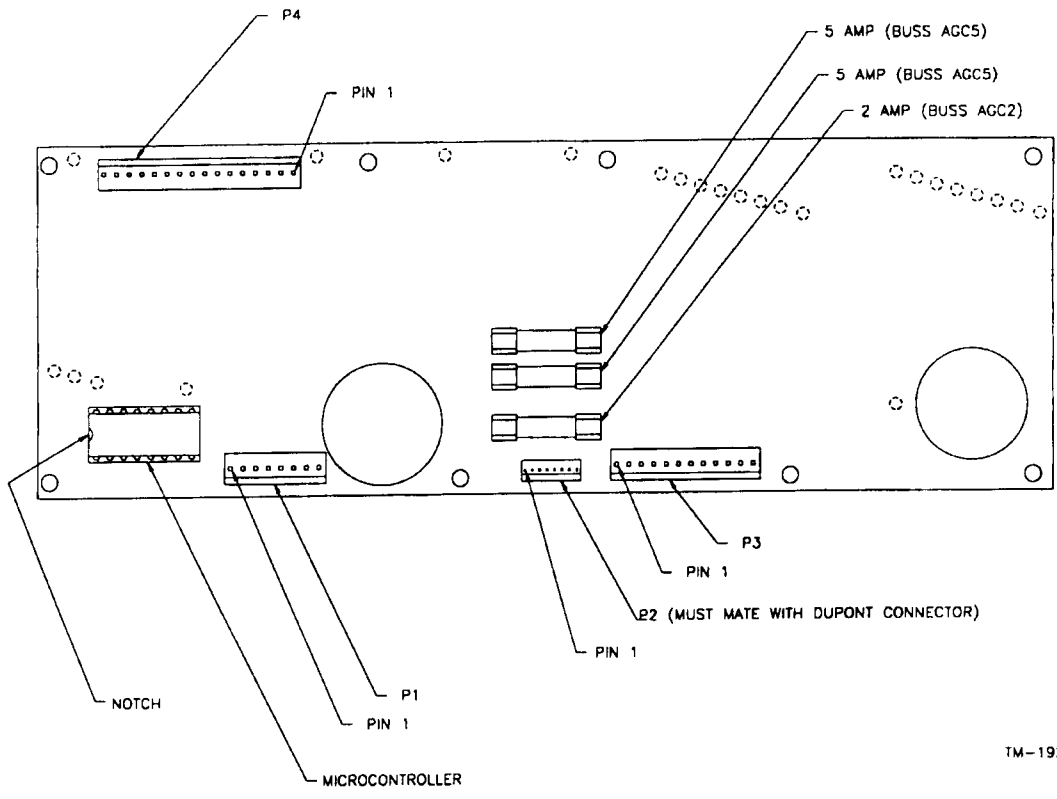
TABLE OF CONTENTS

DURASCRUB SYSTEM CIRCUIT BOARD CONNECTIONS.....	2
SOLUTION TANK ASSEMBLY.....	3-4
RECOVERY TANK ASSEMBLY.....	5-6
BACK PANEL ASSEMBLY.....	7-8
SQUEEGEE ASSEMBLY.....	9-10
BRUSH HEAD ASSEMBLY.....	11-12
REAR COVER ASSEMBLY.....	13-14
BRUSH COVER ASSEMBLY.....	15
FRAME ASSEMBLY.....	16
CHASSIS ASSEMBLY.....	17
WIRING DIAGRAM.....	18

RECOMMENDED SPARE PARTS

Recommended spare parts should be ordered and stocked to avoid possible downtime in case of failure, breakage, or normal wear.

PART NO.	DESCRIPTION	QTY.
035302	ASM, HOSE--SQUEEGEE, BLK, 22"L	1
035129	ASM, HOSE--TANK, BLK, 36"L	1
035179	ASM, HOSE--DUMP, 1.50 DIA., BLK, 40"L	1
039276	BRUSH, MTR--FOR 024372 MTR	4
039428	BRUSH, MTR--FOR 024373 VAC MTR	2
047484	KNOB	1
056428	RUBBER, SQUEEGEE--33" AUTO, FRONT	1
056429	RUBBER, SQUEEGEE--33" AUTO, REAR	1
056430	RUBBER, SQUEEGEE--33" AUTO, BACKUP	1
056466	GASKET, SQUEEGEE--.187 X 2, 9.75L	1
056793	FILTER, SCREEN--1.85ID, SS	1



TM-1924

SYSTEM CIRCUIT BOARD CONNECTIONS

CONNECTOR P1

PIN 1	TANK PROBE 1 (-), NO. 57
PIN 2	TANK PROBE 2 (+), NO. 58
PIN 3	BRUSH UP SWITCH (-), NO. 17
PIN 4	BRUSH UP SWITCH (+), NO. 18
PIN 5	BRUSH DOWN SWITCH (-), NO. 23
PIN 6	BRUSH DOWN SWITCH (+), NO. 22
PIN 7	ON/OFF HANDLE SWITCH (-), NO. 55
PIN 8	ON/OFF HANDLE SWITCH (+), NO. 56

PIN 4	JUNCTION BAR (-), NO. 60
PIN 5	JUNCTION BAR (-), NO. 61
PIN 6	JUNCTION BAR (-), NO. 62
PIN 7	WATER PUMP (+), NO. 51
PIN 8	WATER PUMP (-), NO. 52
PIN 9	LOAD INDICATOR (+), NO. 64
PIN 10	LOAD INDICATOR
PIN 11	BATTERY LOW INDICATOR (+), NO. 4
PIN 12	BATTERY LOW INDICATOR (-), NO. 8

CONNECTOR P2 (KEYPAD)

Function Pin Combinations:

PIN 1	GROUND
PIN 2 & 6	WATER FLOW SELECT
PIN 3 & 6	WATER FLOW ON/OFF
PIN 4 & 6	BRUSH PRESSURE (+)
PIN 5 & 6	BRUSH PRESSURE (-)
PIN 2 & 7	BRUSH INSTALL
PIN 3 & 7	BRUSH REMOVE
PIN 4 & 7	VACUUM ON/OFF
PIN 5 & 7	BRUSH ON/OFF

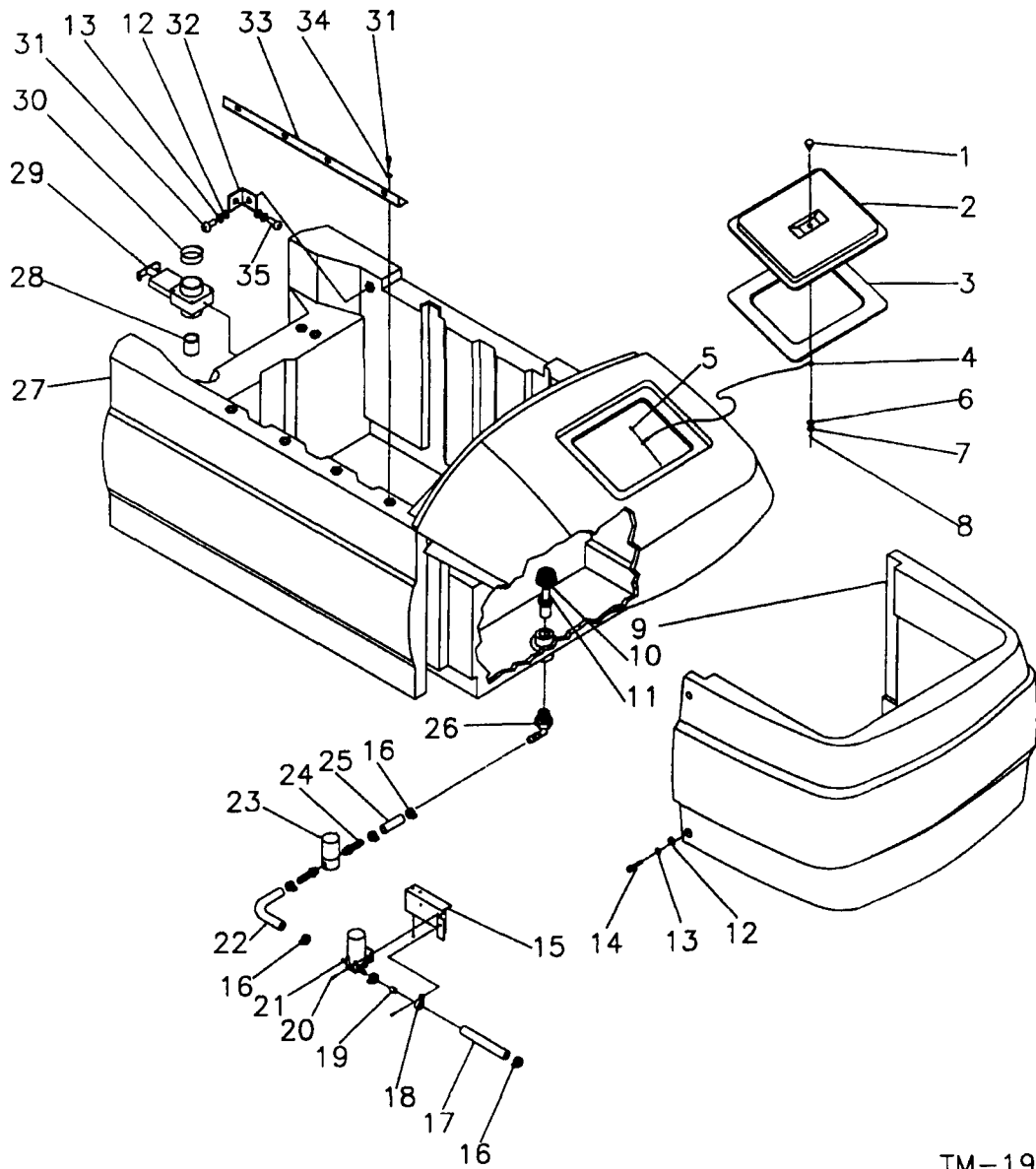
CONNECTOR P4

PIN 1	BRUSH DOWN SOLENOID (+), NO. 33
PIN 2	BRUSH DOWN SOLENOID (9-), NO. 32
PIN 3	BRUSH UP SOLENOID (+), NO. 25
PIN 4	BRUSH UP SOLENOID (-), NO. 20
PIN 5	NOT USED
PIN 6	NOT USED
PIN 7	REMOVE SOLENOID (+), NO. 47
PIN 8	REMOVE SOLENOID (-), NO. 48
PIN 9	INSTALL SOLENOID (+), NO. 43
PIN 10	INSTALL SOLENOID (-), NO. 44
PIN 11	WATER VALVE (+), NO. 49
PIN 12	WATER VALVE (-), NO. 50
PIN 13	BRUSH ON/OFF SOLENOID (+), NO. 45
PIN 14	BRUSH ON/OFF SOLENOID (-), NO. 46
PIN 15	VAC SOLENOID (+), NO. 53
PIN 16	VAC SOLENOID (-), NO. 54

CONNECTOR P3

PIN 1	MAIN SOLENOID, NO. 63
PIN 2	NOT USED
PIN 3	NOT USED

KA-33 SOLUTION TANK ASSEMBLY



TM-1939

KA-33 SOLUTION TANK ASSEMBLY

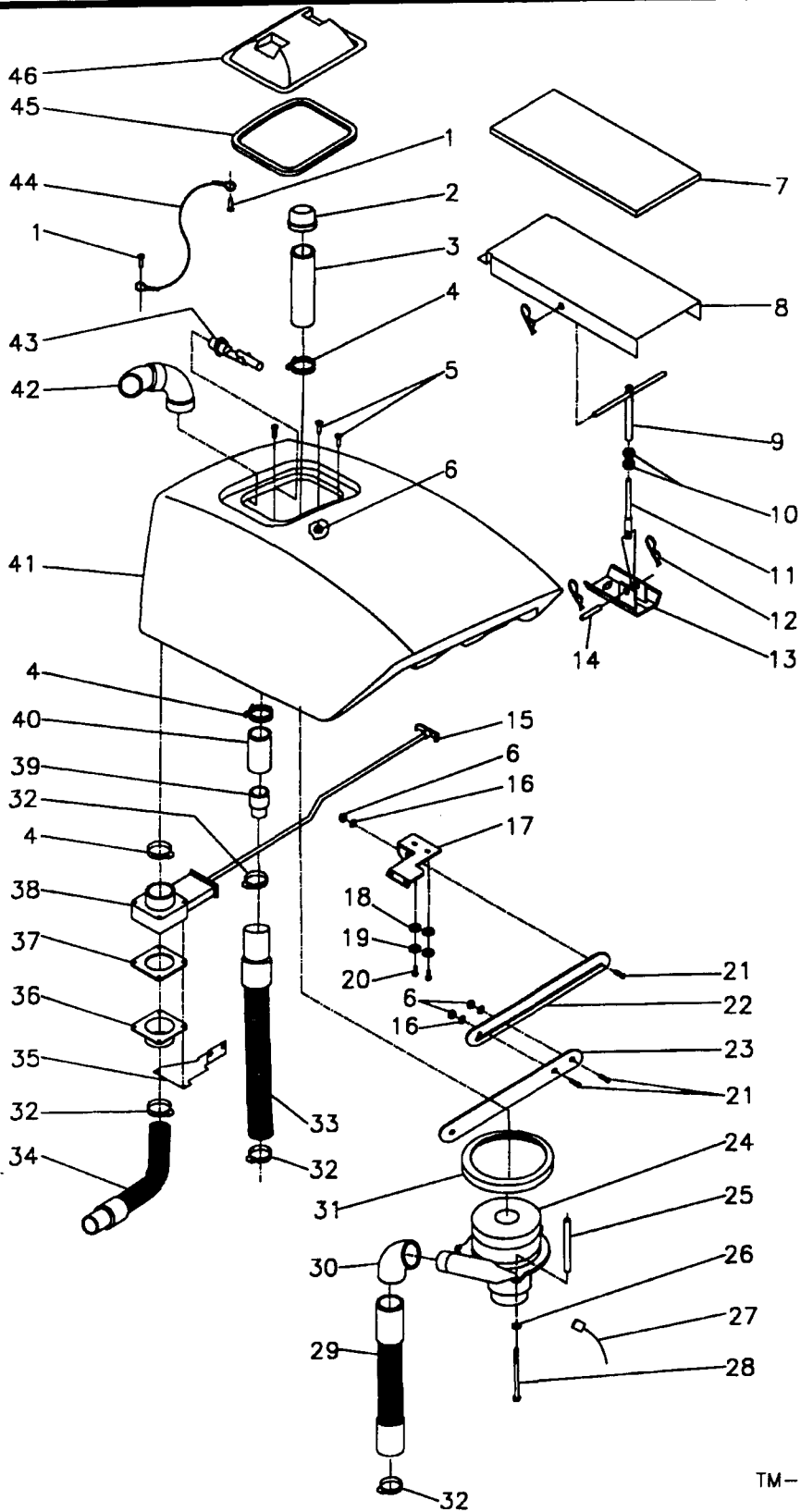
DET	PART NO.	DESCRIPTION	QTY
1	048022	KNOB,THUMB SCR-10-24,INT.	1
2	056250	LID,TANK-DURASCRUB	1
3	056379	GASKET,FOAM-EXTR.RECOVERY	1
4	053793	WIRE ROPE-.062 DIA X 10.50L	1
5	002382	SCR TPG F PAN HD 10-10X.500L	1
6	005407	WSHR FLT .203ID.562OD.045T STL	1
7	004253	WSHR LK .204ID.410OD.025T EXT	1
8	005456	SCR MACH PAN HD 10-24X.500L	1
9	056648	COVER,FRONT-FLAME TREATED	1
10	057209	LINE STRAINER-80 MICRON,S.S.	1
11	051207	ADPTR,PP-HS-1/2MPTX3/8HS,PLS	1
12	004208	WSHR FLT .281ID.500OD.036T STL	4
13	004254	WSHR LK .267ID.510OD.028T EXT	4
14	002471	SCR CAP SOC HD-.25-20X1.25 L	4
15	056659	BRACKET,WATER PUMP-	1
16	051581	CLAMP,HOSE-.625 MAX DIA,WORM	6
17	054577	TUBE,VINYL-.375X.625,14.62L,R	1
18	051474	CLAMP,LOOP-.625 CLOSED ID,NYL	1

DET	PART NO.	DESCRIPTION	QTY
19	057688	SPACER,SS-.106X.400,.500L	1
20	005316	SCR TPG F PAN HD 10-24X.375L	5
21	035257	ASM,PUMP-12V,1GPM	1
22	054293	TUBE,VINYL-.375X.625,6.5L	1
23	027145	VALVE,SOLENOID-24V	1
24	054691	ADPTR,PP-HS-3/8MPTX3/8HS,BRS	2
25	057580-8	TUBE,VINYL-.375X.625,5.0L,R	1
26	055523	ELBOW,PP-HS-1/2 MPTX3/8HS,NY	1
27	057802-1	TANK,SOLUTION-MACHINED,33/39	1
28	056593	TUBE,PLSTC-1.58-1.50 REDUCER	1
29	055070	VALVE,SLIDE-SHUTOFF,1.5PIPE,T	1
30	049999	CLAMP,HOSE-2.25 MAX DIA,WORM	1
31	223218	SCR CAP HEX HD .250-20X.625L	6
32	056857	BRACKET,ANGLE-11GA,1.50WIDE	2
33	056514	HINGE,BUTT-RS 056291,BLACK	1
34	004207	WSHR FLT .281ID.562OD.063T BRS	4
35	001514	SCR TPG F PAN HD .250-20X.375L	2

AVAILABLE ASSEMBLIES

035615 ASM, SOLUTION TANK--INCLUDES ITEMS 1-7, 11-18, 31-32, 36, 38-42

KA-33 RECOVERY TANK ASSEMBLY



TM-1941

KA-33 RECOVERY TANK ASSEMBLY

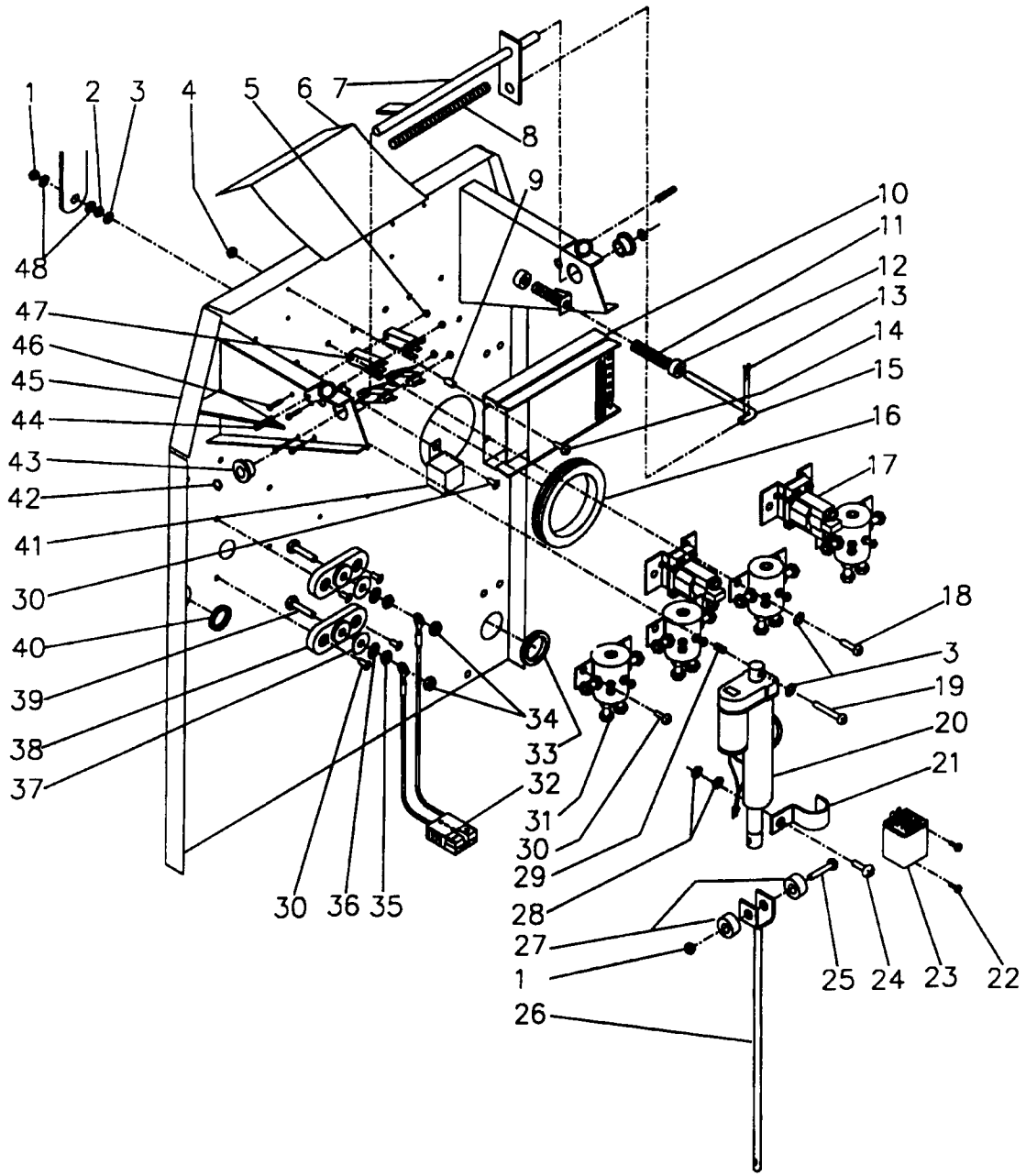
DET	PART NO.	DESCRIPTION	QTY
1	002382	SCR TPG F PAN HD 10-10X.500L	2
2	056793	FILTER,SCREEN-1.85ID,SS	1
3	055494	PIPE,PVC--1.50 SCH40 X 6.00L	1
4	049999	CLAMP,HOSE--2.25 MAX DIA,WORM	3
5	002491	SCR MACH FLT HD 10-24X1LSS	3
6	005480	NUT,HEX LOCK-- 10-24,NYLOC	4
7	057076	GASKET,SUPPORT--33&39AUTO	1
8	057075	PLATE,STL--VAC TANK SUPPORT	1
9	035326	WDMT,SUPPORT--AUTOS	1
10	003438	NUT,HEX JAM--.375-16,SST	2
11	035327	WDMT,SUPPORT--REC TANK	1
12	004352	PIN,LOCK--.125 DIA WIRE	4
13	035365	WDMT,VAC TANK--SUPPORT,33&39	1
14	057026	PIN,STL--3/8"OD,SS	1
15	057187	HANDLE,SLIDE VALVE--SERVICE	1
16	005433	WSHR FLT .281ID.750OD.120T STL	6
18	005323	WSHR FLT .203ID.500OD.036T STL	2
19	004253	WSHR LK .204ID.410OD.025T EXT	2
20	001366	SCR MACH PAN HD 10-32X.500L	2
21	002429	SCR SHLDR SOC HD 10-24X.375 S	3
22	057508-02	BAR,STL--11GA,W/SLOT,PLATED	1
23	057505-02	BAR,STL--11GA,PLATED	1
24	035240	ASM,VAC MTR--36V,3-STAGE	1

DET	PART NO.	DESCRIPTION	QTY
25	056764	SPACER,PHEN--.265X.500X3.156L	3
26	004254	WSHR LK .267ID.510OD.028T EXT	3
27	039428	BRUSH,MTR--FOR 024373 VAC MTR	2
28	223213	SCR CAP HEX HD .250-20X4.00L	3
29	035564	ASM,HOSE--BLK,CUFFS & ELBOW	1
30	056676	ELBOW,PIPE--RS 98402,CUT OFF	1
31	E23788B	RING-MOTOR MOUNTING	1
32	046688	CLAMP,HOSE--1.75 MAX DIA,WORM	4
33	035129	ASM,HOSE--TANK,1.50 DIA,BLK	1
34	035179	ASM,HOSE--DUMP,BLK,1.50 DIA	1
35	057671-05	BKT,STL--16GA.TAML VALVE	1
36	035160	WDMT,DRAIN--RECOVERY TANK	1
37	054762	GASKET,FOAM--.187X2.87X2.87	1
38	057337	VALVE,SLIDE--33SS	1
39	053894	FITTING--REDUCER,1.66-1.50,PLS	1
40	056675	TUBE,PVC--AUTO	1
41	057297-1	TANK,REC--MACH'D,KA-33SS	1
42	056758	ASM,ELBOW--RECOVERY TANK	1
43	057002	SWITCH,FLOAT W/WIRE	1
44	056617	WIRE ROPE--.062DIA X6.00L	1
45	057890	GASKET--.375X.375X36.00L	1
46	057579	LID,DOMED--DURASCRUB,CLEAR	1

AVAILABLE ASSEMBLIES

035431 ASM, RECOVERY TANK--INCLUDES ITEMS 1-15, 17-21, 24-35, 37-47

KA-33 BACK PANEL ASSEMBLY



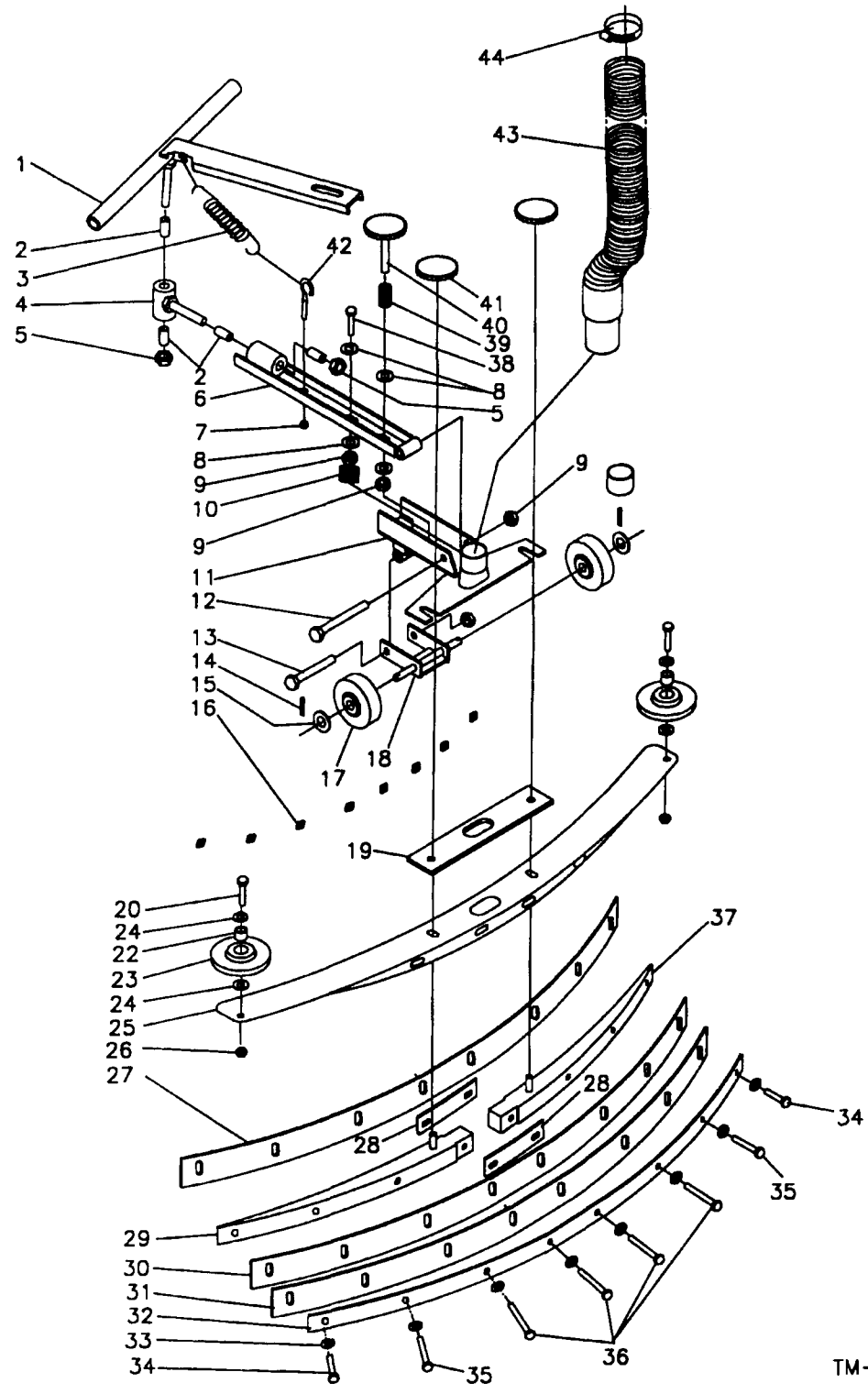
TM-1955

KA-33 BACK PANEL ASSEMBLY

DET	PART NO.	DESCRIPTION	QTY
1	003363	NUT,HEX LOCK--250-20,ZN PLT	2
2	222258	NUT,HEX--250-20,SS	1
3	004254	WSHR LK .267ID.510OD.028T EXT	3
4	003415	NUT,HEX LOCK-- 8-32,NYLOC,ZN	2
5	003361	NUT,HEX LOCK-- 6-32,NYLOC	4
6	026164	INSULATOR,ELEC--MYLAR,11.5X7	1
7	035384	WDMT,SHAFT--ACTUATOR	1
8	057176	TUBE,PLSTC--SLIT,.81ODX11.0"L	1
9	057428	SPACER,ALUM--.187X.375, .375L	2
10	027237	CONTROL--DC,AUTOS,CRTS,36V	1
11	056597	SPRING,COMP .480D 2.75L .045WD	2
12	048987	COLLAR-CENTERING SPRING	2
13	004297	PIN,COTTER--.094X .750 LONG	2
14	005410	SCR MACH RD HD 8-32X1.00L	2
15	053296	ROD,STL--.312 DIA., 6.00 LONG	1
16	054845	GROM--3.00ID,3.50MHD,.12PA	1
17	026504	SOLENOID--SWITCH,SPNO,36VDC	2
18	002263	SCR MACH RD HD .250-20X1.25L	1
19	002267	SCR CAP HEX HD .250-20X1.50L	1
20	027137	ACTUATOR--36V,75LBS,3IN STROKE	1
21	056623	STRAP,CONDUIT--1IN RIGID	1
22	005313	SCR TPG F PAN HD 8-32X.312L	2
23	027136	RELAY,DPDT--24VDC,10 AMPS	1
24	002371	SCR TPG F PAN HD 10-24X.625L	1
25	002282	SCR CAP HEX HD .250-20X2.50L	1

DET	PART NO.	DESCRIPTION	QTY
26	035183	WDMT,ACTUATOR--SQUEEGEE	1
27	050575	SPACER,PHEN--.281X.875, .375L	2
28	004336	WSHR FLT .281ID.875OD.125T STL	2
29	049343	SPACER,STL--.375X.500, .437L,Z	1
30	001514	SCR TPG F PAN HD .250-20X.375L	16
31	026713	SOLENOID,DPDT--SWITCH,36V	4
32	027152	ASM,CHARGER PLUG--2 CNDCT	1
33	056672	GROM--2"IDX2.44MHDX.12PA	1
34	003472	NUT,HEX LOCK--.312-18,NYLOC	2
35	003356	NUT,HEX JAM--.312-18,ZN PLT	2
36	004444	WSHR LK .332ID.610OD.034T EXT	2
37	004221	WSHR FLT .344ID1.00OD.036T STL	2
38	057872	INSULATOR--MAIN TERMINAL	2
39	003249	SCR CAP HEX HD .312-18X1.25L	2
40	055434	GROM--1.0ID,1.25MHD,.125PA	1
41	026180	RELAY,POWER--24VDC,40/30A,SPDT	1
42	004351	RING,RTNG--EXT,.500 SHAFT, "E"	2
43	027131	BRG,FLANGE--.500ID.750OD.500W	2
44	005624	PIN,ROLL--.312 DIA,1.000L	2
45	035463	WDMT,BACK PANEL--KA-33SS	1
46	001489	SCR MACH RD HD 6-32X1.75L	4
47	026603	SWITCH,LVR--SPDT,20A,125-250V	4
48	005433	WSHR FLT .281ID.750OD.120T STL	2

KA-33 SQUEEGEE ASSEMBLY



TM-1927

KA-33 SQUEEGEE ASSEMBLY

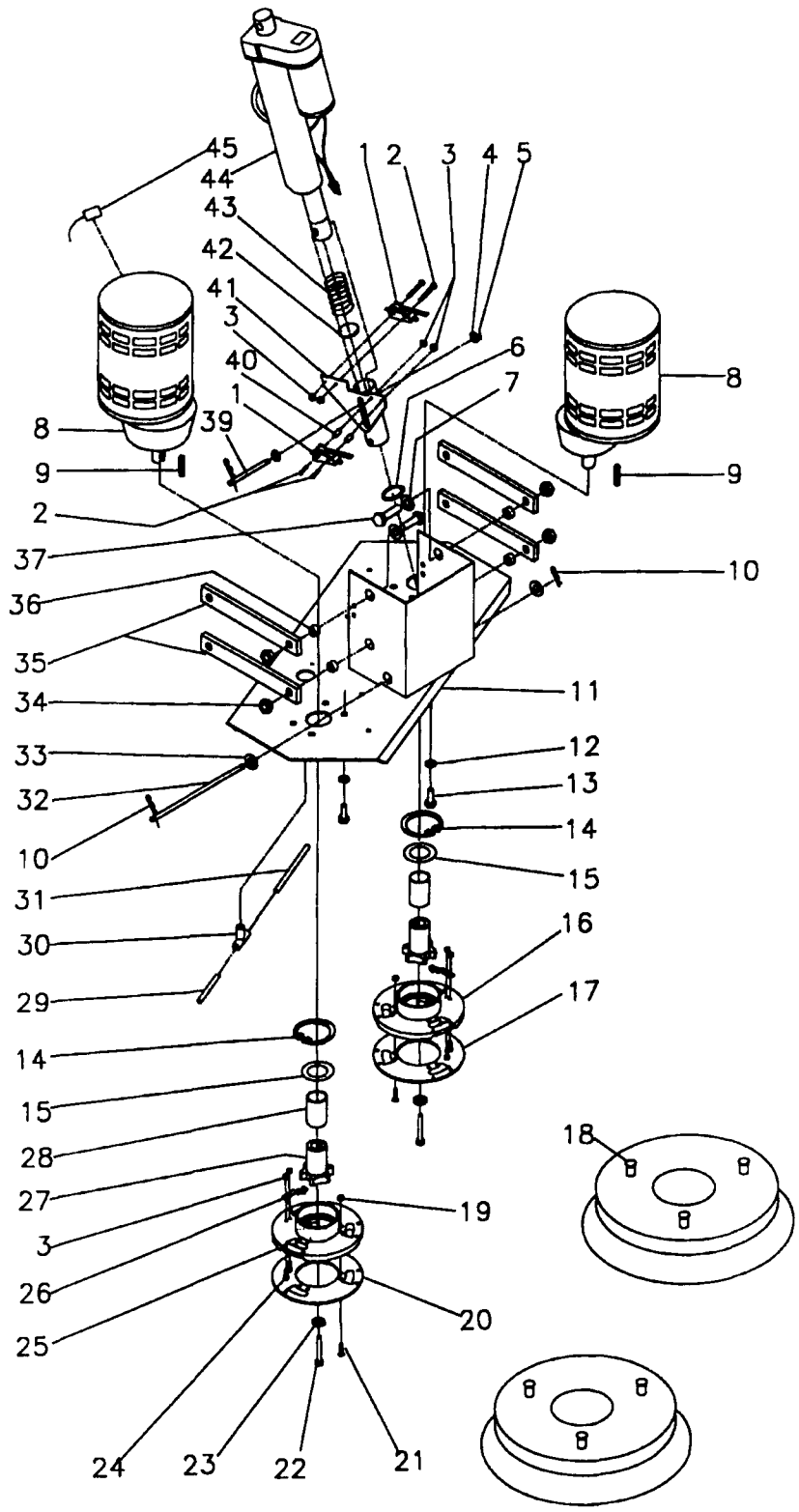
DET	PART NO.	DESCRIPTION	QTY
1	035139	WDMT,SQUEEGEE LIFT--33&39 AUTO	1
2	027171	BRG,SLV--.500ID,.625OD,.750W	4
3	051136	SPRING,EXT .750D 2.92L .104WD	1
4	035150	WDMT,SQUEEGEE PIVOT--33&39AUTO	1
5	003370	NUT,HEX LOCK--.500-13,ZN PLT	2
6	035137	WDMT,SQUEEGEE BAR--33&39 AUTOS	1
7	005479	NUT,HEX LOCK--.250-20,NYLOC,ZN	1
8	005219	WSHR FLT .406ID1.000D.071T STL	4
9	005279	NUT,HEX LOCK--.375-16,NYLOC	4
10	056808	SPRING,COMP .970D .750L .072WD	1
11	035138	WDMT,SQUEEGEE BRACKET--33&39	1
12	002445	SCR CAP HEX HD .375-16-2.50L	1
13	003268	SCR CAP HEX HD .375-16X3.00L	1
14	005383	PIN,COTTER--.094X1.000 LONG	2
15	004223	WSHR FLT .406ID.625OD.036T STL	2
16	005591	NUT,SELF RETAINING--.250-20	8
17	057193	WHEEL,PLASTIC--3"OD,3/8"BORE	2
18	034172	WDMT,BRACKET--SQUEEGEE WHEEL	1
19	056466	GASKET,SQUEEGEE--.187X2.9.75L	1
20	003249	SCR CAP HEX HD .312-18X1.25L	2
22	053699	SPACER,STL--.312X.437,.43L	2
23	053720	WHEEL--4.00DIA,.438BORE,.688HB	2

DET	PART NO.	DESCRIPTION	QTY
24	004218	WSHR FLT .344ID.750OD.060T STL	4
25	035100	WDMT,SQUEEGEE--33 AUTO	1
26	003378	NUT,HEX LOCK--.312-18,ZN PLT	2
27	056428	RUBBER,SQUEEGEE--33 AUTO,FRONT	1
28	056461	CLAMP,SQUEEGEE--11GA,5.00L	2
29	056454	SPACER,SQUEEGEE--33 AUTO,LEFT	1
30	056429	RUBBER,SQUEEGEE--33 AUTO,REAR	1
31	056430	RUBBER,SQUEEGEE--33AUTO,BACKUP	1
32	056455	STRAP,SQUEEGEE--33 AUTO	1
33	004531	WSHR FLT .281ID.625OD.080T,SS	10
34	002454	SCR CAP HEX HD .250-20X1.50L	2
35	002476	SCR CAP HEX HD .250-20X2.00L	4
36	002455	SCR CAP HEX HD .250-20X2.50L	4
37	056434	SPACER,SQUEEGEE-33 AUTO,RIGHT	1
38	002332	SCR CAP HEX HD .375-16X1.75L	1
39	056585	SPRING,COMP .845D 1.75L .085WD	1
40	035163	ASM,KNOB--ADJUSTMENT,.375-16	1
41	047484	KNOB,PLSTC--2.38OD,.38-16THD	2
42	005594	BOLT,EYE--.250-20,X1.0 SHANK	1
43	035302	ASM,HOSE--SQUEEGEE,1.5DIA,BLK	1
44	046688	CLAMP,HOSE--1.75 MAX DIA,WORM	1

AVAILABLE ASSEMBLIES

035133 ASM, SQUEEGEE--INCLUDES ITEMS 16, 19-37
 035140 ASM, SQUEEGEE LINKAGE--INCLUDES ITEMS 1-18, 38-41

KA-33 BRUSH HEAD ASSEMBLY



TM-1956

KA-33 BRUSH HEAD ASSEMBLY

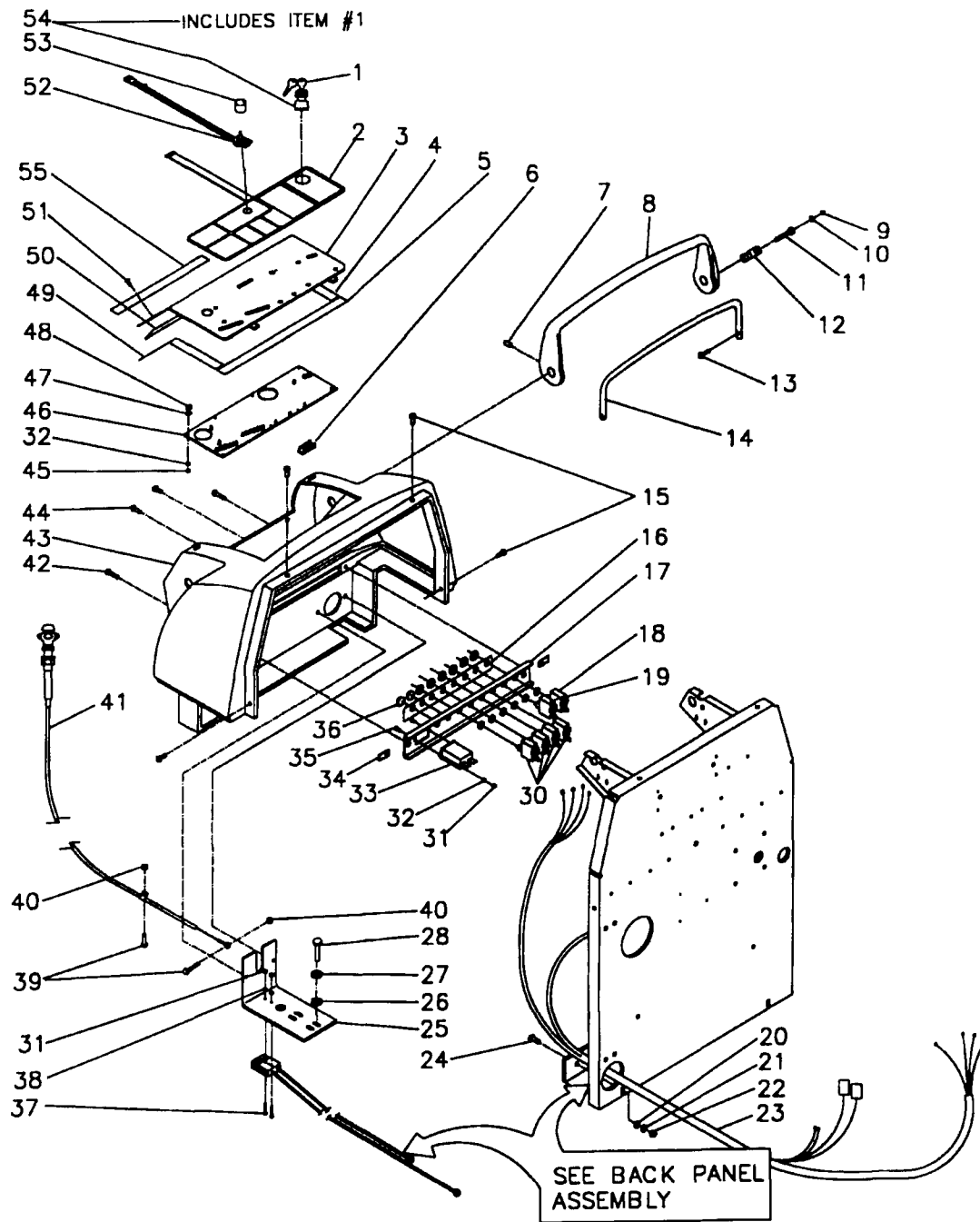
DET	PART NO.	DESCRIPTION	QTY
1	026603	SWITCH,LVR--SPDT,20A,125-250V	2
2	005261	SCR MACH RD HD 6-32X1.25L	4
3	003361	NUT,HEX LOCK-- 6-32,NYLOC	4
4	005227	WSHR FLT .531ID.875OD.036T STL	2
5	005200	PIN,COTTER--.125X1.000 LONG	2
6	046762	RING,RTNG--INT,1.18 CYL,N5000	1
7	004238	WSHR FLT .531ID1.00OD.071T STL	4
8	024440	ASM,MTR&GEAR UNIT--36V,W/RINGS	2
9	057663	KEY,SQUARE--.250 SQ,1.437 LONG	2
10	004352	PIN,LOCK--.125 DIA WIRE	2
11	035078	WDMT,BRUSH HEAD--33 DURASCRUB	1
12	004214	WSHR LK .390ID.683OD.094TSPLT	8
13	003262	SCR CAP HEX HD .375-16X1.00L	8
14	004529	RING,RTNG--INT,2.375 BORE	2
15	004548	WSHR FLT 1.770ID2.342OD.078T	2
16	056447	HUB,DRIVE--BRUSH,AUTOS,RIGHT	1
17	057160	PLATE,SS--BRUSH MTG RING,LEFT	1
18	005630	LUG,BRUSH--.250-20 THREAD	6
19	222224	NUT,HEX LOCK-- 10-24,ZN PLT	12
20	057159	PLATE,SS--BRUSH MTG RING,RIGHT	1
21	002473	SCR MACH FLT HD 10-24X.875L	12
22	002499	SCR CAP SOC HD .312-18X1.50L	2

DET	PART NO.	DESCRIPTION	QTY
23	005358	WSHR LK--.326ID.586OD.078T SPL	2
24	001515	SCR MACH PAN HD 6-32X.500L	4
25	056446	HUB,DRIVE--BRUSH,AUTOS,LEFT	1
26	056468	CLIP,RETAINING--BRUSH LUG	2
27	056445	SHAFT,DRIVE--BRUSH,AUTOS	2
28	056464	TUBE,SS--1.50OD,16GA,1.937L	2
29	057580-9	TUBE,VINYL--.375X.625,4.3L,R	1
30	046944	TEE,HOSE--3/8X3/8X3/8,PLSTC	1
31	056788	TUBE,VINYL--.375X.625,12.00L,R	1
32	056474	SHAFT,STL--.375DIA, 8.00L	1
33	005219	WSHR FLT .406ID1.00OD.071T STL	2
34	003370	NUT,HEX LOCK--.500-13,ZN PLT	4
35	056254	BAR,STL--.375X1.25, 9.00L	4
36	056473	SPACER,STL--.531X.750, .218L,Z	4
37	003270	SCR CAP HEX HD .500-13X1.25L	4
39	056155	PIN--ACTUATOR	1
40	046425	SPACER,PHEN--.250X.437, .250L	2
41	035120	WDMT,BRUSH LIFT TUBE--DURASCR	1
42	056639	PLATE,STL--13GA,1.125DIA	1
43	054427	SPRING,COMP 1.09D 2.50L .035WD	1
44	024368	ACTUATOR,DC--36V,500LBS,6IN	1
45	039276	BRUSH,MTR--FOR 024372&027153	8

AVAILABLE ASSEMBLIES

035079 ASM, BRUSH HEAD--INCLUDES ITEMS 1-51, 53
 035131 ASM, DRIVE HUB, RIGHT--INCLUDES ITEMS 7, 35-45, 48, 51
 035132 ASM, DRIVE HUB, LEFT--INCLUDES ITEMS 7, 35-38, 40-43, 45-48, 51

KA-33 REAR COVER ASSEMBLY



TM-1957

KA-33 REAR COVER ASSEMBLY

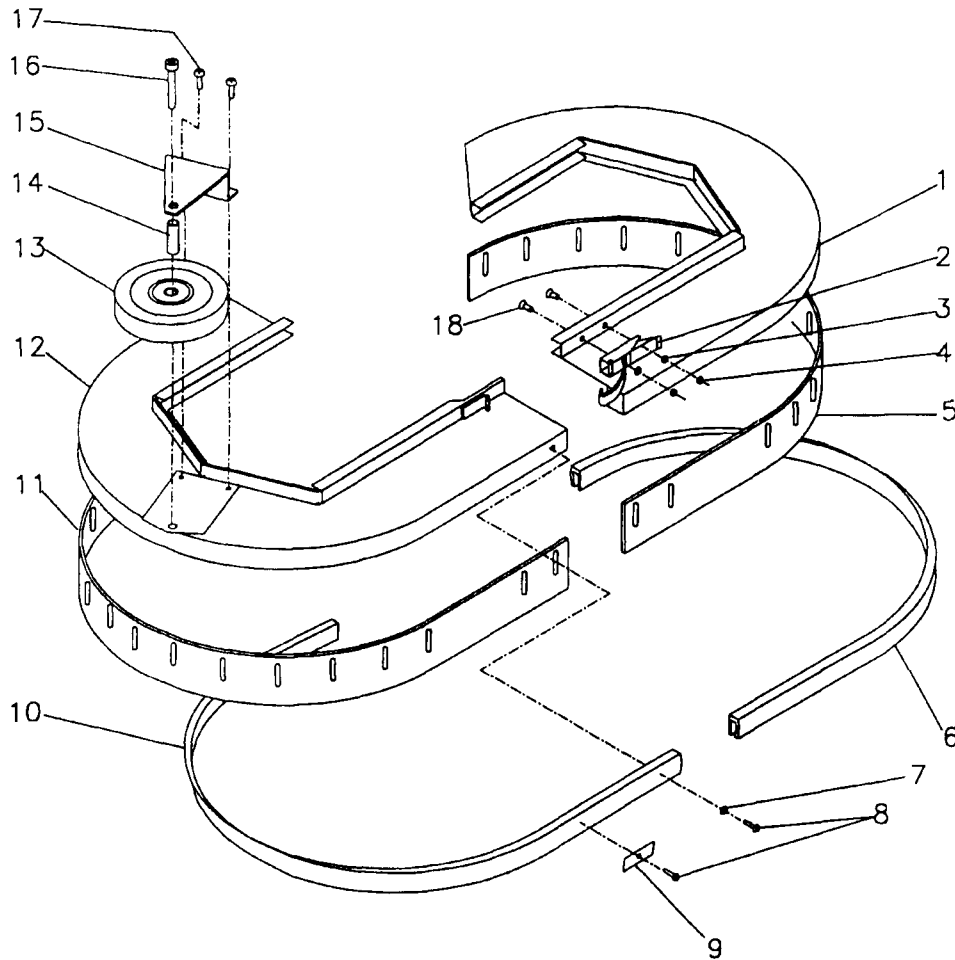
DET	PART NO.	DESCRIPTION	QTY
1	057243	KEY,AUTOMATICS--FOR P/N 026584	1
2	057603	SWITCH PANEL--MEMBRANE,INT'L	1
3	035128	WDMT,INSTR PANEL--33&39	1
4	057308	GASKET--.125x.500,8.656L,LEFT	1
5	057306	GASKET--.125x.500,13.75L,TOP	1
6	027156	MICROCONTROLLER--STD,DURASCRUB	1
7	005387	SCR SET CUP PT .312-18X.500L	2
8	056594	HANDLE,ACTUATOR--AUTOS,PAINTED	1
9	056761	RING,RTNG--INT.,500BORE,N5000	2
10	004208	WSHR FLT .281ID.500OD.036T STL	2
11	002337	SCR CAP SOC HD .250-20X1.50L	2
12	056359	SHAFT,STL--.750DIA,1.75L	2
13	005478	SCR MACH RD HD .250-20X.500L	2
14	056595	HANDLE,STL--.625DIA,PAINTED	1
15	001331	SCR TPG C PAN HD 10-24X.750L	4
16	056649	LABEL,IDENT--CIRCUIT BREAKERS	1
17	056499	PANEL,CIRCUIT BREAKER--AUTOS	1
18	027146	CIRCUIT BREAKER--1.5AMP	1
19	026751	CIRCUIT BREAKER--10AMP	1
20	004218	WSHR FLT .344ID.750OD.060T STL	2
21	004212	WSHR LK .326ID.586OD.078TSPLT	2
22	003349	NUT,HEX--.312-18,ZN PLT	2
23	027140	HARNES,WIRE--MAIN,DURASCRUB	1
24	003244	SCR CAP HEX HD .312-18X.750L	2
25	056840	BRACKET,STL--11GA,BRAKE	1
26	004254	WSHR LK .267ID.510OD.028T EXT	4
27	002278	WSHR LK .262ID.489OD.062TSPLT	2

DET	PART NO.	DESCRIPTION	QTY
28	223218	SCR CAP HEX HD .250-20X.625L	2
30	026198	CIRCUIT BREAKER--30AMP,SCR TRM	4
31	003274	NUT,HEX-- 6-32,ZN PLT	4
32	004249	WSHR LK .150ID.320OD.022T EXT	10
33	027147	HOURLMETER--10-80VDC,RECTANG	1
34	003429	NUT,SPEED,U--.250-20,.58X1.125	2
35	223188	SCR MACH PAN HD 6-32X.500L	2
36	057103	PLUG,DOME--.500DIA,BLK PLSTC	2
37	001248	SCR MACH RD HD 6-32X1.00L	2
38	004250	WSHR LK .148ID.250OD.031TSPLT	2
39	005456	SCR MACH PAN HD 10-24X.500L	2
40	005480	NUT,HEX LOCK-- 10-24,NYLOC	2
41	056323	ASM,CABLE--BRAKE,VERNIER CNTRL	1
42	002248	SCR MACH RD HD .250-20X.750L	2
43	056368	COVER,REAR--MACHINED,AUTOS	1
44	002343	SCR TPG F PAN HD .250-20X.500L	2
45	003361	NUT,HEX LOCK-- 6-32,NYLOC	8
46	026235	CIRCUIT BOARD--DURASCRUB,36V	1
47	004200	WSHR FLT,.156ID.310OD.065T BRS	8
48	046425	SPACER,PHEN--.250X.437, .250L	8
49	057309	GASKET--.125x.500,8.656R	1
50	057310	GASKET--.125x.500,12.75L	1
51	002382	SCR TPG F PAN HD 10-10X.500L	6
52	027157	ASM,POTENTIOMETER--W/PLUG	1
53	056596	KNOB,PLASTIC--BLACK,.92DIA,X.95	1
54	026584	STARTER-SWITCH-LOCKING	1
55	057175	LABEL--SAFETY INSTRUCTIONS,ENG	1

AVAILABLE ASSEMBLIES

035127 ASM. INSTRUMENT PANEL--INCLUDES ITEMS 1, 2, 4, 5, 7-11, 40, 43-46

KA-33 BRUSH COVER ASSEMBLY



TM-1933

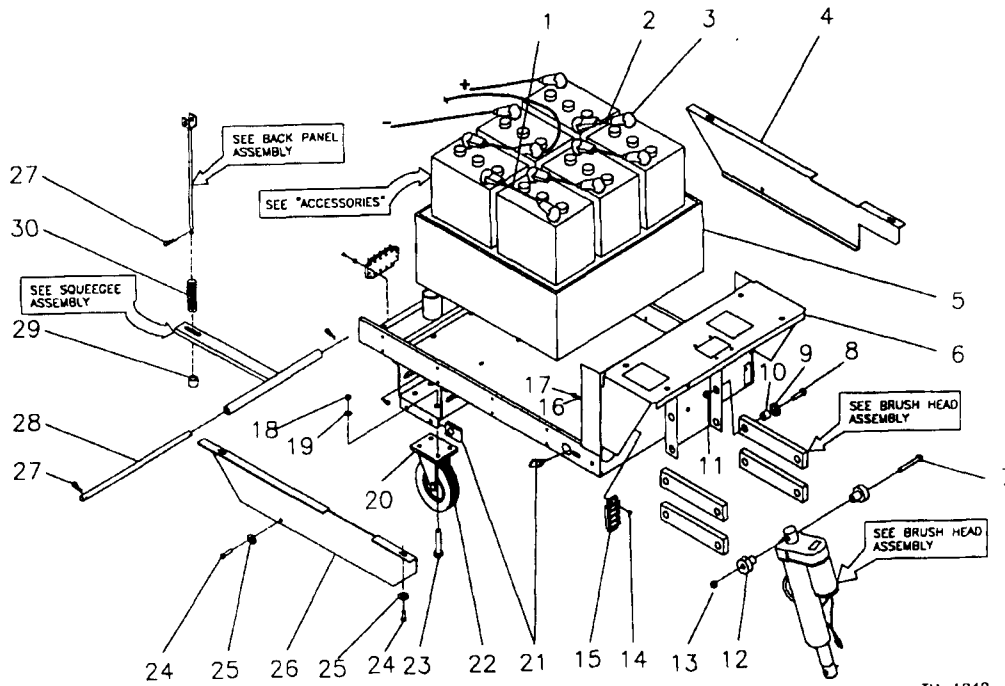
DET	PART NO.	DESCRIPTION	QTY
1	035115	WDMT,BRUSH COVER-33 AUTO,LEFT	1
2	054306	CLAMP,TOGGLE-BLACK,1.62 LATCH	1
3	005297	WSHR LK .200ID.334OD.047TSPLT	2
4	003279	NUT,HEX-- 10-24,ZN PLT	2
5	056491	GUARD,SPLASH--.25X2.75.36.50L	1
6	056493	CHANNEL,RUBBER-BRUSH CVR,33,L	1
7	005323	WSHR FLT .203ID.500OD.036T STL	4
8	005482	SCR TPG F PAN HD 10-24X.875L	28
9	052006	STR,STL--.062X.437X1.50 LONG	24
10	056492	CHANNEL,RUBBER-BRUSH CVR,33,R	1

DET	PART NO.	DESCRIPTION	QTY
11	056490	GUARD,SPLASH--.25X2.75.41.50L	1
12	035114	WDMT,BRUSH COVER-33 AUTO,RT	1
13	056673	WHEEL,BLACK-5" OD	1
14	056684	SPACER,STL--.500X17GA.1.50L,Z	1
15	056120	BRACKET-BRUSH HEAD GUIDE	1
16	005536	SCR CAP SOC HD .375-16X2.00L	1
17	002357	SCR MACH PAN HD .250-20X.625L	2
18	001288	SCR MACH FLT HD 10-24X.500L	2

AVAILABLE ASSEMBLIES

035124 ASM, BRUSH COVER, LEFT--INCLUDES ITEMS 9-18
 035125 ASM, BRUSH COVER, RIGHT--INCLUDES ITEMS 1-11

KA-33 FRAME ASSEMBLY

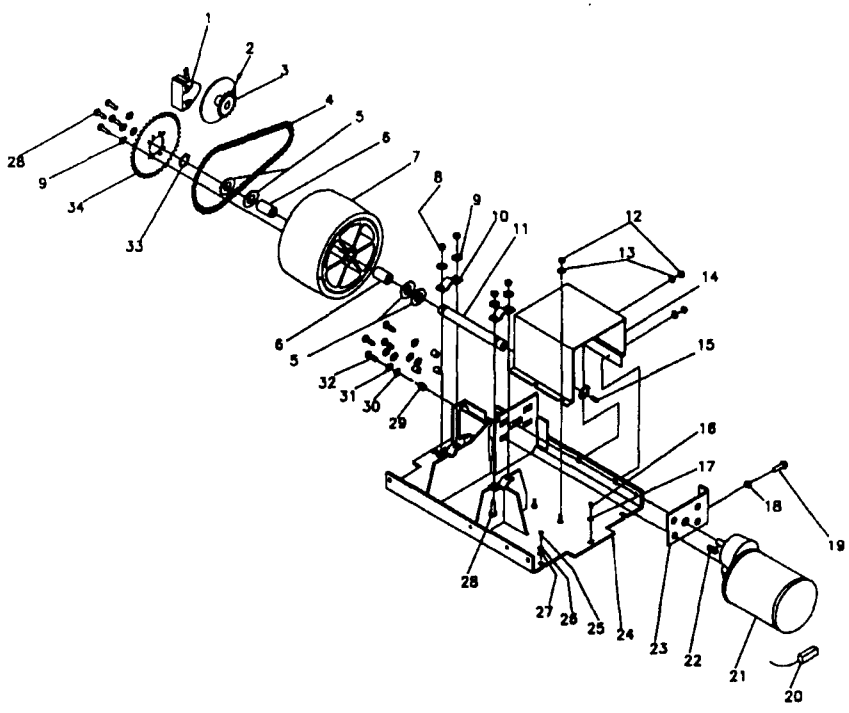


TM-1949

DET	PART NO.	DESCRIPTION	QTY
1	025274	ASM,WIRE-- 6GA,BLK,14.0L,RINGS	1
2	025085	ASM,WIRE-- 6GA,BLK,10.2L,RINGS	4
3	054186	BOOT,INSULATOR--BATT TERMINALS	12
4	056357	SKIRT,LOWER--LEFT,DURASCRUB	1
5	053534	BOX,BATT--32" AUTO'S,MACHINED	1
6	035089	WDMT--UPPER CHASSIS	1
7	003267	SCR CAP HEX HD .375-16X2.75L	1
8	003270	SCR CAP HEX HD .500-13X1.25L	4
9	004238	WSHR FLT .531ID1.00OD.071T STL	4
10	056473	SPACER,STL--.531X.750, .218L,Z	4
11	003370	NUT,HEX LOCK--.500-13,ZN PLT	4
12	054502	BSHG,SLV--.377ID.498OB1.00FLNG	2
13	005279	NUT,HEX LOCK--.375-16,NYLOC	1
14	005457	SCR MACH PAN HD 10-24X1.00L	8
15	026111	TERMINAL BLOCK--4 TERM,50 AMP	2

DET	PART NO.	DESCRIPTION	QTY
16	004253	WSHR LK .204ID.410OD.025T EXT	8
17	003279	NUT,HEX-- 10-24,ZN PLT	8
18	003293	NUT,HEX--.375-16,ZN PLT	8
19	004214	WSHR LK .390ID.683OD.094TSPLT	8
20	039563	KIT,WHEEL&AXLE--FOR 055658	2
21	003429	NUT,SPEED,U--.250-20,.58X1.125	4
22	055658	CASTER,SWIVEL--5.0 DIA,700 LB	2
23	003262	SCR CAP HEX HD .375-16X1.00L	8
24	002480	SCR MACH PAN HD .250-20X.625L	6
25	004254	WSHR LK .267ID.510OD.028T EXT	6
26	056358	SKIRT,LOWER--RIGHT,DURASCRUB	1
27	004352	PIN,LOCK--.125 DIA WIRE	3
28	056371	SHAFT,STL--.375 DIA,14.62L	1
29	056683	SPACER,STL--.391X.625, .500L,Z	1
30	056618	SPRING,COMP .845D 3.50L .100WD	1

KA-33 CHASSIS ASSEMBLY



TM-1958

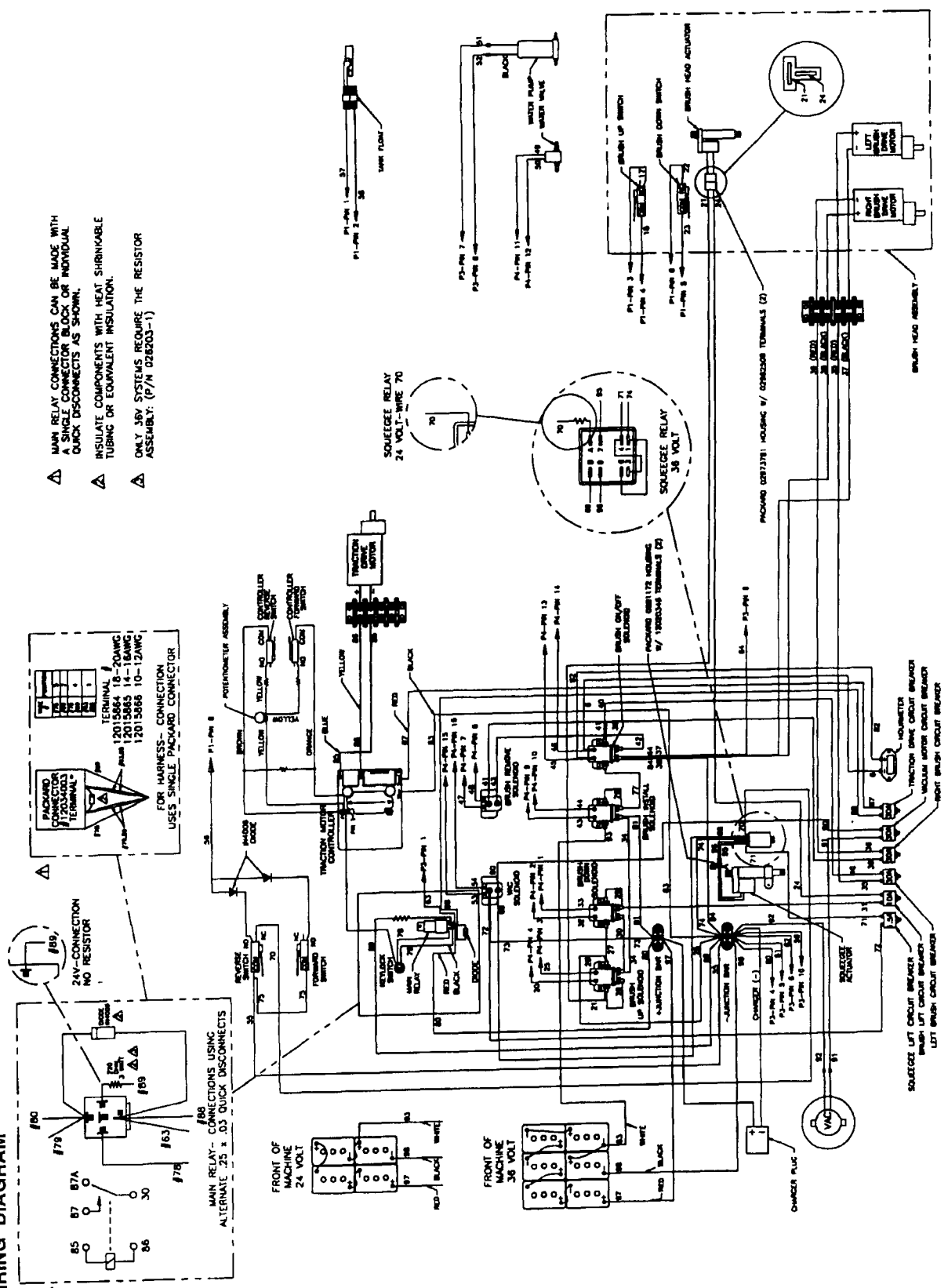
DET	PART NO.	DESCRIPTION	QTY
1	056245	BRAKE,MECHANICAL--CALIPER	1
2	002234	SCR SET CUP PT .250-20X.500L	1
3	035141	WDMT,SPROCKET--DURASCRUB	1
4	056448	CHAIN,ROLLER--#40,70LK&CONN	1
5	004330	WSHR FLT 1.05ID1.50OD.036T STL	4
6	027130	BEARING,SLEEVE--1"ID,1.25"OD	2
7	035097	ASM,WHEEL--10"OD,AUTO'S	1
8	003349	NUT,HEX--.312-18,ZN PLT	4
9	004212	WSHR LK .326ID.586OD.078TSPLT	8
10	056327	CLAMP,AXLE--BLACK	2
11	056258	AXLE--1.00 DIA X 9-5/16"L	1
12	003283	NUT,HEX--.250-20,ZN PLT	4
13	002278	WSHR LK .262ID.489OD.062TSPLT	4
14	056405	COVER,MOTOR--AUTOMATICS	1
15	054330	ZERK,GREASE--.250-28 THREAD	1
16	002480	SCR MACH PAN HD .250-20X.625L	2
17	004254	WSHR LK .267ID.510OD.028T EXT	2

DET	PART NO.	DESCRIPTION	QTY
18	003294	NUT,HEX JAM--.375-16,ZN PLT	1
19	002332	SCR CAP HEX HD .375-16X1.75L	1
20	039276	BRUSH,MTR--FOR 024372&027153	4
21	024440	ASM,MTR&GEAR UNIT--36V,W/RINGS	1
22	045815	KEY,SQUARE--.250 SQ.,.875 LONG	1
23	035262	WDMT,BRKT--TENSION,DRIVE MTR	1
24	035088	WELDMENT--LOWER CHASSIS	1
25	003259	SCR CAP HEX HD .375-16X.625L	4
26	004215	WSHR LK .398ID.694OD.040T EXT	4
27	005320	WSHR FLT .406ID.750OD.060T STL	4
28	003244	SCR CAP HEX HD .312-18X.750L	8
29	056681	SPACER,STL--.375X.625, 400L	4
30	004384	WSHR FLT .406ID.875OD.064T STL	4
31	004214	WSHR LK .390ID.683OD.094TSPLT	4
32	003264	SCR CAP HEX HD .375-16X1.25L	4
33	048537	RING,RTNG--EXT.,984 SHAFT,5160	2
34	051376	SPROCKET,CHAIN--#40,.500P,.44T	1

AVAILABLE ASSEMBLIES

035096 ASM, LOWER CHASSIS--INCLUDES ITEMS 1-32

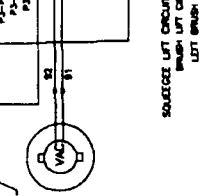
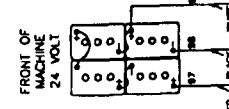
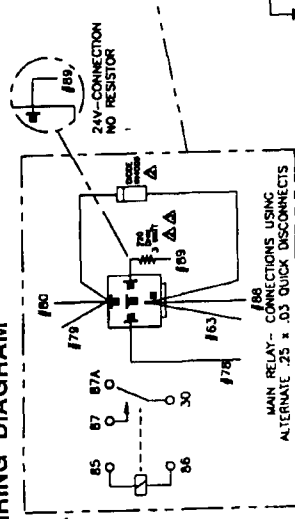
WIRING DIAGRAM



- ⚠ MAIN RELAY CONNECTIONS CAN BE MADE WITH A SINGLE CONNECTOR BLOCK OR INDIVIDUAL QUICK DISCONNECTS AS SHOWN.
- ⚠ INSULATE COMPONENTS WITH HEAT SHRINKABLE TUBING OR EQUIVALENT INSULATION.
- ⚠ ONLY 36V SYSTEMS REQUIRE THE RESISTOR ASSEMBLY: (P/N 028203-1)

FOR HARNESS- CONNECTION USES SINGLE PACKARD CONNECTOR

PACKARD CONNECTOR / 120034MS TERMINAL	TERMINAL
1	1
2	2
3	3
4	4
5	5
6	6
7	7
8	8
9	9
10	10
11	11
12	12
13	13
14	14
15	15
16	16
17	17
18	18





KENT

The Kent Company
2310 Industrial Parkway
P.O. Box 1665
Elkhart, IN 46515, U.S.A.
Telephone: (800) 334-1083
(219) 293-8661
Fax (219) 295-8610