



Electronic Service Manuals

This electronic document is provided as a service to our customers. We do not create the contents of the information contained in this document. Should you have detailed questions pertaining to the information contained in this document, you may contact Michco, or the manufacturer which provided the original information in this electronic deliverable. Michco's only part in this electronic deliverable was the electronic assembly process.

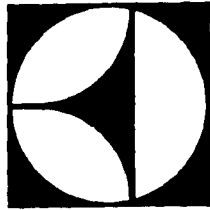
You may contact Michco through the following methods:
Phone (517) 484-9312 or (800) 331-3339 MI, OH, IN only
2011 N. High St. -- Lansing, Michigan -- 48906
Fax: (517) 484-9836
Email: CustServ@Michco.com
Web site: www.Michco.Com
Parts Web site: www.FloorMachineParts.Com

Order Parts on Line at:
www.FloorMachineParts.Com

Directly to Parts & Service:
By Email: **Shop@Michco.com**
By Fax: (517) 702-2041
By Voice: Use numbers above.

Serving the Cleaning Industry Since 1922

Notice: All copyrighted material remains property of original owners, all trademarks are property of respective owners. Manuals are subject to Manufacturer's reproduction limitations. Originals or reproductions were provided by manufacturers through a request. We make no warranty as to the correctness of information provided in this document and you assume all risk.



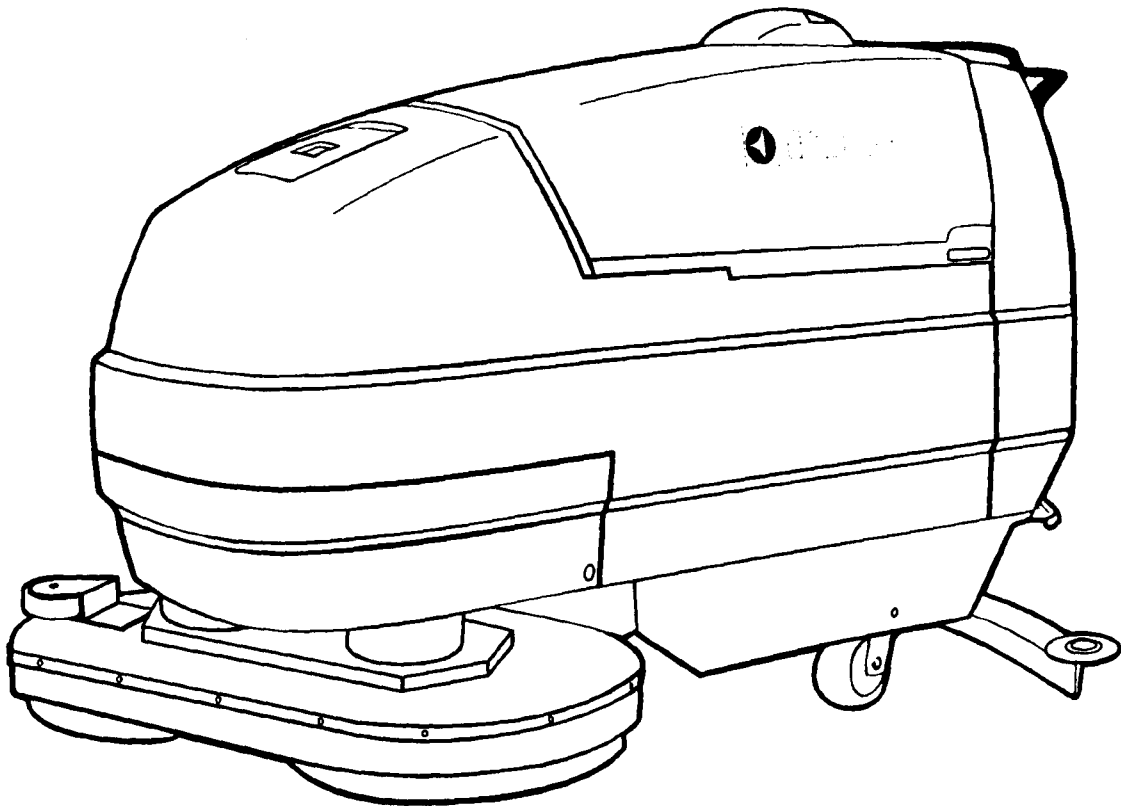
KENT

PARTS MANUAL

SERVICE • PARTS

AUTOMATIC SCRUBBERVAC

KA-27 SelectScrub



EDITION 1
MARCH 1996
083399

THE KENT COMPANY • 2310 INDUSTRIAL PARKWAY • P.O. BOX 1665 • ELKHART, IN 46515, U.S.A.
TEL: (219)293-8661 • (800)334-1083 • FAX: (219)295-8610 • TELEX: 25-8331 KENT CO EKR

TABLE OF CONTENTS

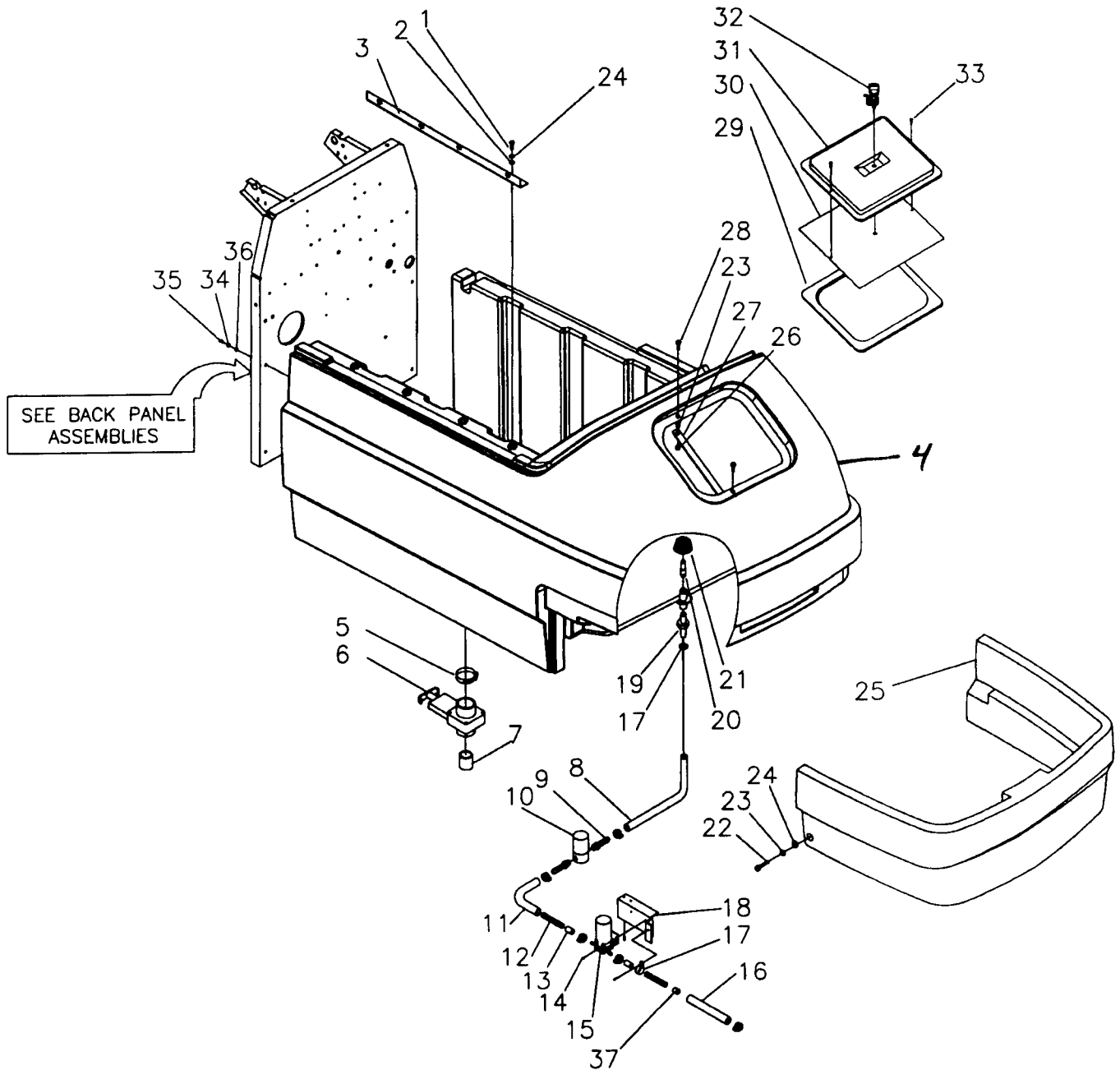
KA-27SS SOLUTION TANK	2,3
KA-27SS RECOVERY TANK	4,5
KA-27SS BACK PANEL	6,7
WIRE DIAGRAM	8,9
KA-27SS SQUEEGEE	10,11
KA-27SS BRUSH HEAD	12,13
KA-27SS REAR COVER	14,15
KA-27SS BRUSH COVER	16
KA-27SS FRAME ASSEMBLY	17
KA-27 CHASSIS ASSEMBLY	18

RECOMMENDED SPARE PARTS

Recommended spare parts should be ordered and stocked to avoid possible down time in case of failure, breakage, or normal wear.

<u>PART NO.</u>	<u>DESCRIPTION</u>	<u>QUANT.</u>
035302	ASM,HOSE--SQUEEGEE, BLK,22"L	1
035129	ASM,HOSE--TANK, BLK,36"L	1
035179	ASM,HOSE--DUMP,1,50 DIA,BLK,40"L	1
039276	BRUSH,MTR--FOR 027153 MOTOR	4
039428	BRUSH,MTR--FOR 024373 VAC MTR	2
047484	KNOB	1
056425	RUBBER,SQUEEGEE--33" AUTO,FRONT	1
056427	RUBBER,SQUEEGEE--33" AUTO,REAR	1
056426	RUBBER,SQUEEGEE--33" AUTO,BACKUP	1
056466	GASKET,SQUEEGEE--.187X2,9.75L	1
056793	FILTER,SCREEN--1.85ID,SS	1

KA-27SS SOLUTION TANK ASSEMBLY



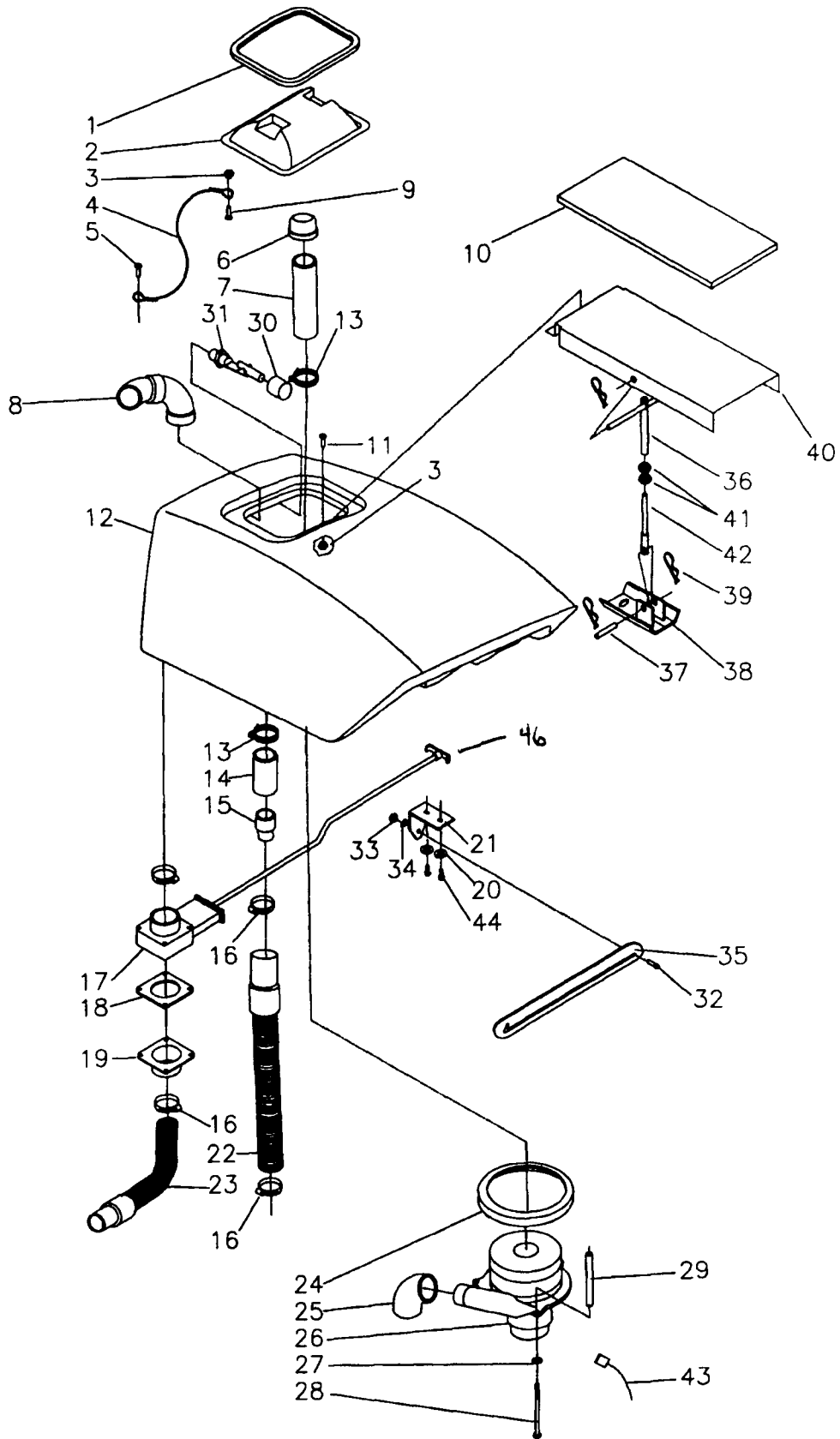
KA-27SS SOLUTION TANK PARTS LIST

DET. PART NO.	DESCRIPTION	QUANT.	DET. PART NO.	DESCRIPTION	QUANT.		
1	002247	SCR MACH RD HD .250-20X.625L	4	21	057209	LINE STRAINER—80 MICRON,S.S.	1
2	004254	WSHR LK .267ID.510OD.028T EXT	4	22	002471	SCR CAP SOC HD—25-20X1.25 L	2
3	056514	HINGE,BUTT—RS 056291,BLACK	1	23	046425	SPACER,PHEN—.250X.437, .250L	2
4	056698	TANK,SOLUTION—MACH'D,27 AUTO	1	24	004208	WSHR FLT .281ID.500OD.036T STL	4
5	049999	CLAMP,HOSE—2.25 MAX DIA,WORM	1	25	056978	COVER,FRONT—FLAME TREATED,27	1
6	055070	VALVE,SLIDE—SHUTOFF,1.5PIPE,T	1	26	005480	NUT,HEX LOCK— 10-24,NYLOC	2
7	056593	TUBE,PLSTC—1.66-1.50 REDUCER	1	27	057043	BAR,STL—.120X.750, 8.75L	1
8	057082	TUBE,VINYL—.500ID,.75OD,4.50L	1	28	002452	SCR MACH PAN HD 10-24X1.00L,SS	2
9	006142	ADPTR,PP-HS—3/8 MPTX1/2HS,BRS	2	29	057044	SEAL,FLEXIBLE—RS 098473,28.0L	1
10	027145	VALVE,SOLENOID—24V	1	30	057041	PLATE,SS—20GA,8.25X10.75	1
11	048505	TUBE,VINYL—.500X.750, 6.75L	1	31	057040	LID,TANK—SOL TANK,27 AUTO	1
12	053321	SPRING,COMP—.480D,2.75L,.059W	4	32	055222	LATCH,TWIST—VIST ACTION	1
13	056770	TUBE,VINYL—.375X.500, .750L	2	33	004328	RIVET,TUBE—.141 DIA, .281L	2
14	005316	SCR TPG F PAN HD 10-24X.375L	5	34	004254	WSHR LK .267ID.510OD.028T EXT	4
15	035257	ASM,PUMP—12V,1GPM	1	35	002247	SCR MACH RD HD .250-20X.625L	4
16	057083	TUBE,VINYL-.500ID,.750OD,10"L	1	36	004206	WSHR FLT .281ID.562OD.063T STL	4
17	056682	CLAMP,TUBE—.750CLAMP DIA.	6	37	057226		1
18	056659	BRACKET,WATER PUMP—	1		056821	Decal - Daily maint	
19	048688	ADPTR,PP-HS—1/2 MPTX1/2HS,BRS	1		056822	Decal - Bath maint.	
20	051207	ADPTR,PP-HS—1/2 MPTX3/8HS,PLS	1				
6	035454	valve, asm (6+7 glued)					
6	057187	Handle only, alum.					

AVAILABLE ASSEMBLIES

035297 ASM, SOLUTION TANK--INCLUDES ITEMS 1-7, 19-21, 26-33
 035331 ASM, LID--SOLUTION TANK 29-33

KA-27SS RECOVERY TANK ASSEMBLY



TM-1559

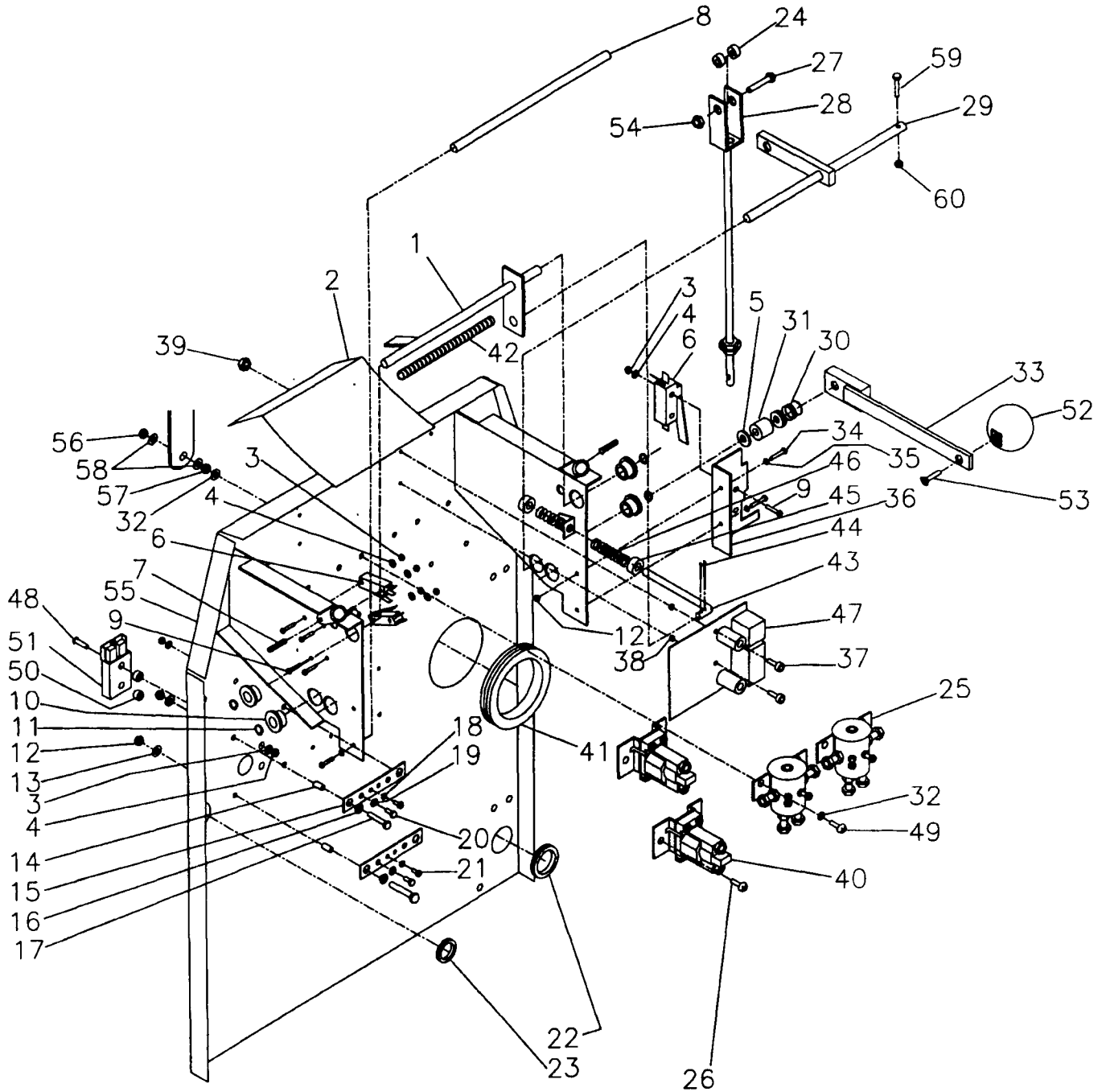
KA-27SS RECOVERY TANK PARTS LIST

DET. PART NO.	DESCRIPTION	QUANT.	DET. PART NO.	DESCRIPTION	QUANT.		
1	056379	GASKET,FOAM—EXTR.RECOVERY	1	23	035179	ASM,HOSE—DUMP,BLK,1.50 DIA	1
2	057579	LID,DOMED—DURASCRUB,CLEAR	1	24	E23788B	RING-MOTOR MOUNTING	1
3	005480	NUT,HEX LOCK— 10-24,NYLOC	1	25	056676	ELBOW,PIPE—RS 98402.CUT OFF	1
4	056617	WIRE ROPE—,062DIA X 6.00L	1	26	026056	ASM,VAC MTR—24V.3-STG.W/TERMS	1
5	002382	SCR TPG F PAN HD 10-B X.500L	1	27	004254	WSHR LK .267ID.510OD.028T EXT	3
6	056793	FILTER,SCREEN—1.85ID,SS	1	28	223213	SCR CAP HEX HD .250-20X4.00L	3
7	055494	PIPE,PVC—1.50 SCH40 X 6.00L	1	29	056764	SPACER,PHEN— .265X.500.3.156L	3
8	056758	ASM,ELBOW—RECOVERY TANK	1	30	057318	ADPTR,FLOAT—DURA SCRUB	1
9	002449	SCR MACH PAN HD 10-24X.875L,SS	1	31	057002	SWITCH,FLOAT W/WIRE	1
10	057029	GASKET,SUPPORT—27" AUTO	1	32	002433	SCR SHLDR SOC HD .250X.500L	1
11	002491	SCR MACH FLAT HD 10-24X1LSS	1	33	005433	NUT,HEX— .250-20,SS	1
12	057437	TANK,REC—MACH'D,27SS	1	34	005433	WSHR FLT .281ID.750OD.120T STL	1
13	049999	CLAMP,HOSE—2.25 MAX DIA,WORM	3	35	057508-02	BAR,STL—11GA,W/SLOT,PLATED	1
14	057106	TUBE,PVC—RS098403,4.500L	1	36	035326	WDMT,SUPPORT—AUTOS	1
15	053894	FITTING—REDUCER,1.58-1.50,PLS	1	37	057026	PIN,STL—3/8"OD,SS	1
16	046688	CLAMP,HOSE—1.75 MAX DIA,WORM	2	38	057025	PLATE,STL—16GA,SS	1
17	057421	VALVE,SLIDE—1-1/2PIPE,27" AUTO	1	39	004352	PIN,LOCK—.125 DIA WIRE	4
18	054762	GASKET,FOAM—,187X2.87X2.87	2	40	057033	PLATE,STL—REC TANK,SS	1
19	035160	WDMT,DRAIN—RECOVERY TANK	1	41	003438	NUT,HEX JAM— .375-16,SST	2
20	004253	WSHR LK .204ID.410OD.025T EXT	2	42	035327	WDMT,SUPPORT—REC TANK	1
21	057504-02	BRACKET,STL—11GA,PLATED	1	43	038786	BRUSH,MTR—24 AND 36V DC VAC	2
22	035129	ASM,HOSE—TANK,1.50 DIA,BLK	1	44	001273	SCR MACH RD HD 10-32X.500L	2
				46	057167	valve, handle only, alum.	

AVAILABLE ASSEMBLIES

035484 ASM, RECOVERY TANK--INCLUDES ITEMS 1-15, 17-21, 24-31, 36-43

KA-27SS BACK PANEL ASSEMBLY

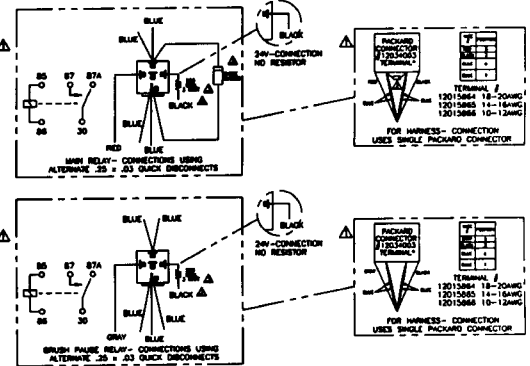


TM-1674

KA-27SS BACK PANEL PARTS LIST

DET.	PART NO.	DESCRIPTION	QUANT.	DET.	PART NO.	DESCRIPTION	QUANT.
1	035384	WDMT,SHAFT—ACTUATOR	1	31	057517	SPACER,NYLON--.50ID,.71OD,.39T	1
2	026164	INSULATOR,ELEC—MYLAR,11.5X7	1	32	004254	WSHR LK .267ID.510OD.028T EXT	2
3	003274	NUT,HEX— 6-32,ZN PLT	8	33	035515-05	WDMT,HANDLE--SQUEEGEE,PAINTED	1
4	004250	WSHR LK .148ID.250OD.031TSPLT	8	34	002247	SCR MACH RD HD .250-20X.625L	3
5	004238	WSHR FLT .531ID1.00OD.071T STL	3	35	002278	WSHR LK .262ID.489OD.062TSPLT	2
6	026603	SWITCH,LVR—DPST,20A,125-250V	3	36	057413-05	BRKT—ARM STOP,KA-27,PAINTED	1
7	005624	PIN,ROLL—.312DIA,1.000"L	2	37	005410	SCR MACH RD HD 8-32X1.00L	2
8	057366	ROD,STL—SUPPORT,HNDL,KA-33SS	1	38	057428	SPACER,ALUM—.187X.375,.375L	2
9	001248	SCR MACH RD HD 6-32X1.00L	6	39	003415	NUT,HEX LOCK-- 8-32,NYLOC,ZN	2
10	027131	BRG,FLANGE—.500ID.750OD.500W	4	40	027165	SOLENOID—SWITCH,24VDC	2
11	004351	RING,RTNG—EXT,.500 SHAFT, "E"	4	41	054845	GROM—3.00ID,3.50MHD,.12PA	1
12	003363	NUT,HEX LOCK—.250-20,ZN PLT	4	42	057176	TUBE,PLSTC—SLIT,81ODX11.0"L	1
13	002278	WSHR LK .262ID.489OD.062TSPLT	4	43	053296	ROD,STL—.312 DIA., 6.00 LONG	1
14	048268	SPACER,PLSTC—.500X.625,.500L	4	44	004297	PIN,COTTER—.094X.750 LONG	2
15	048269	BAR,STL—.187X.750X 4.00 LONG	2	45	048987	COLLAR-CENTERING SPRING	2
16	004369	WSHR SHLDR.250ID.562OD.120T,NY	4	46	056597	SPRING,COMP .480D 2.75L .045WD	2
17	002269	SCR CAP HEX HD .250-20X1.25L	4	47	027133	CONTROL—DC,AUTOS,CRTS,36V	1
18	005297	WSHR LK .200ID.334OD.047TSPLT	1	48	001497	SCR MACH RD HD 6-32X1.50L	2
19	004212	WSHR LK .326ID.586OD.078TSPLT	4	49	002263	SCR MACH RD HD .250-20X1.25L	1
20	003243	SCR CAP HEX HD .312-18X.625L	4	50	046309	SPACER,PHEN— 250X.500,.500L	4
21	001283	SCR MACH RD HD 10-24X.375L	2	51	027158	ASM,CHARGER PLUG—2 CNDCT	1
22	056672	GROM—2"IDX2.44MHDX.12PA	1	52	057391	HANDLE,BALL—ALUM.2.125 DIA	1
23	055434	GROM—1.0ID,1.25MHD,.125PA	1	53	002480	SCR MACH PAN HD .250-20X.625L	1
24	050872	SPACER,PHEN—.250X.500,.375L	2	54	003363	NUT,HEX LOCK— 250-20,ZN PLT	1
25	026645	SOLENOID 24V	2	55	035481	WDMT,BACK PANEL—KA-27SS	1
26	001514	SCR TPG F PAN HD .250-20X.375L	8	56	003363	NUT,HEX LOCK— 250-20,ZN PLT	1
27	002273	SCR CAP HEX HD .250-20X1.75L	1	57	222258	NUT,HEX—.250-20,SS	1
28	035488	ASM,SQUEEGEE LIFT—27SS	1	58	005433	WSHR FLT .281ID.750OD.120T STL	2
29	035486-02	WDMT,SQUEEGEE—27SS,PLATED	1	59	002433	SCR SHLDR SOC HD .250X.500L	1
30	057388	SPRING,COMP .975D .88L .112WD	1	60	005480	NUT,HEX LOCK— 10-24,NYLOC	1

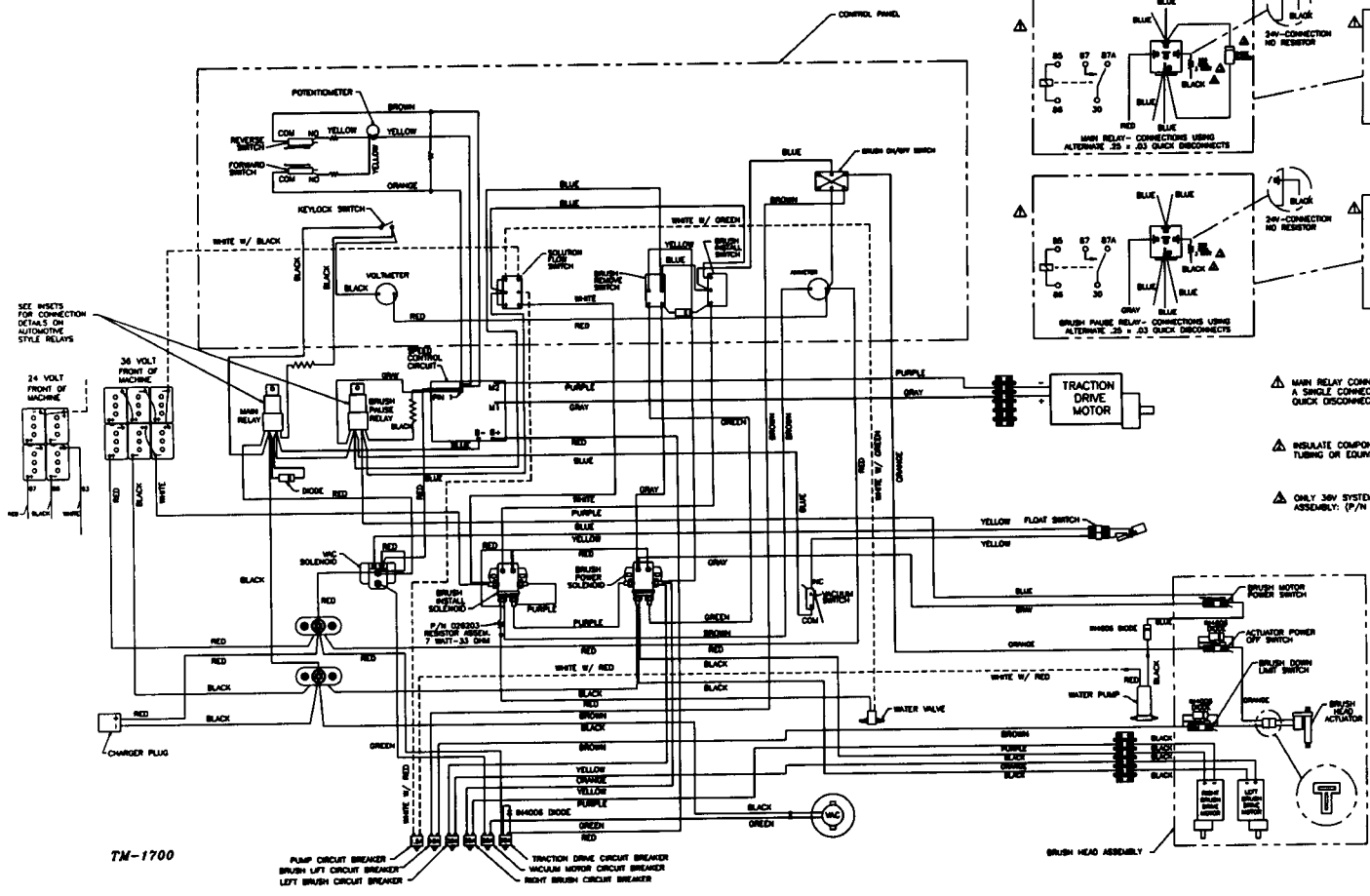
AUTOMOTIVE STYLE RELAY CONNECTION DETAIL



▲ MAIN RELAY CONNECTIONS CAN BE MADE WITH A SINGLE CONNECTOR BLOCK OR INDIVIDUAL QUICK DISCONNECTS AS SHOWN.

▲ INSULATE COMPONENTS WITH HEAT SHRINKABLE TUBING OR EQUIVALENT INSULATION.

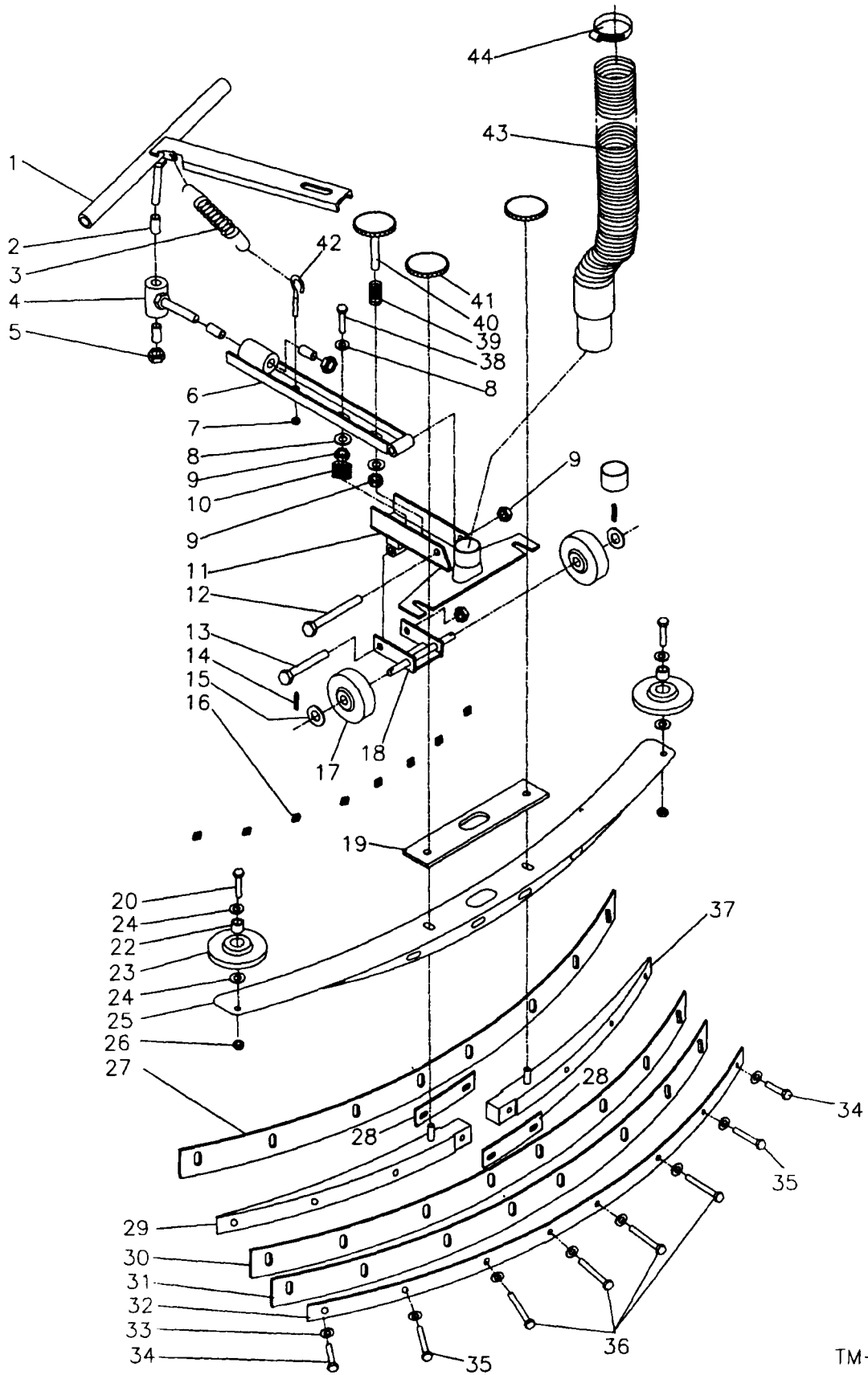
▲ ONLY 30V SYSTEMS REQUIRE THE RESISTOR ASSEMBLY: (P/N 028203-1)



SEE SHEETS FOR CONNECTION DETAILS ON AUTOMOTIVE STYLE RELAYS

TM-1700

KA-27SS SQUEEGEE ASSEMBLY



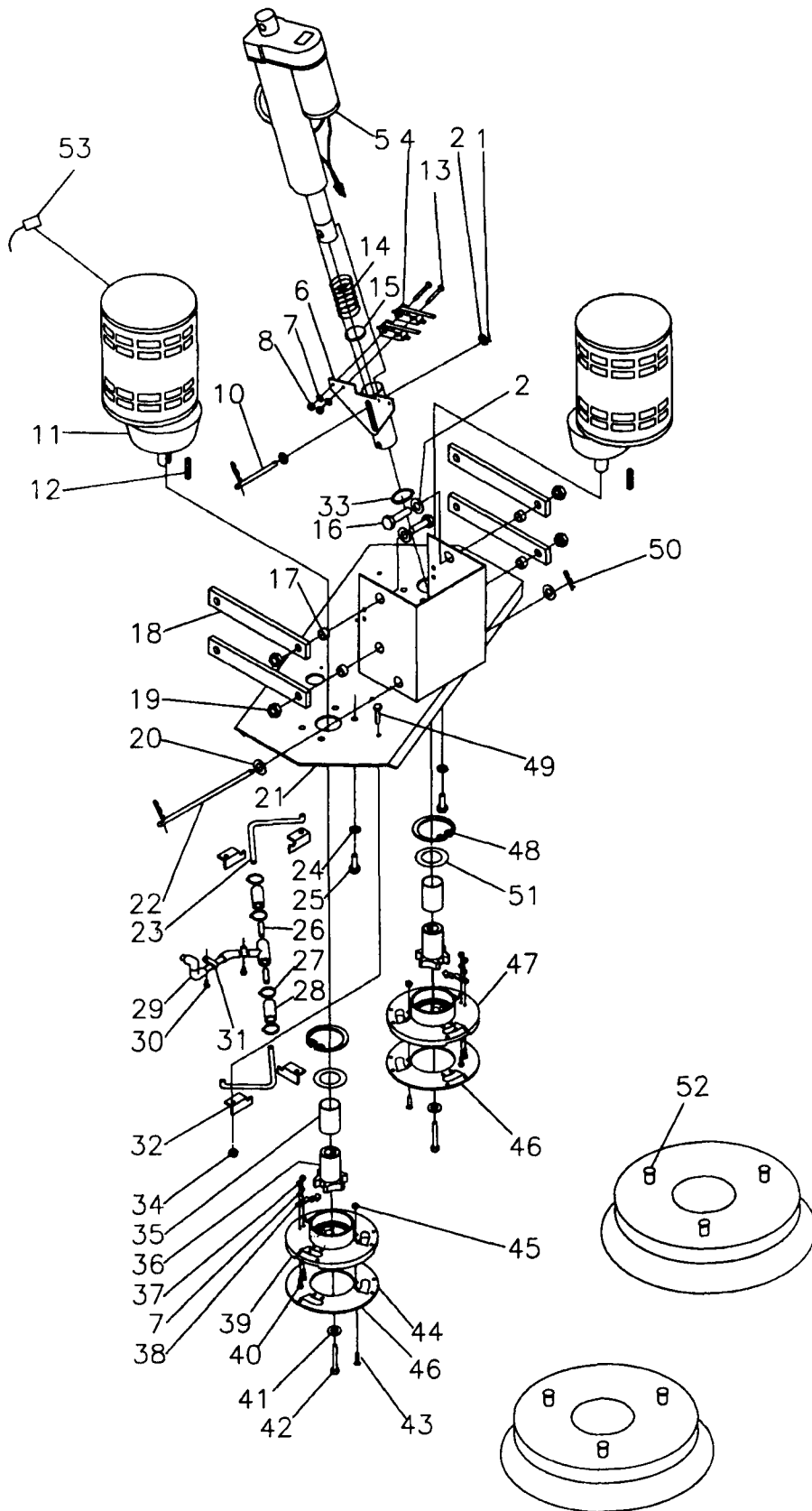
KA-27SS SQUEEGEE PARTS LIST

DET.	PART NO.	DESCRIPTION	QUANT.	DET.	PART NO.	DESCRIPTION	QUANT.
1	035310	WDMT,SQUEEGEE LIFT—27 AUTO	1	23	053720	WHEEL—4.00DIA.,.438BORE,.688HB	2
2	027171	BRG,SLV—.500ID,.625OD,.750W	4	24	004218	WSHR FLT .344ID.750OD.060T STL	4
3	051136	SPRING,EXT .750D 2.92L .104WD	1	25	035118	WDMT,SQUEEGEE—27" AUTO	1
4	035150	WDMT,SQUEEGEE PIVOT—33&39AUTO	1	26	003378	NUT,HEX LOCK—.312-18,ZN PLT	2
5	003370	NUT,HEX LOCK—.500-13,ZN PLT	2	27	056425	RUBBER,SQUEEGEE—FRT,27" AUTO	1
6	035137	WDMT,SQUEEGEE BAR—33&39 AUTOS	1	28	056461	CLAMP,SQUEEGEE—11GA,5.00L	2
7	005479	NUT,HEX LOCK—.250-20,NYLOC,ZN	1	29	056285	SPACER,SQUEEGEE—LEFT,27" AUTO	1
8	005219	WSHR FLT .406ID1.00OD.071T STL	4	30	056427	RUBBER,SQUEEGEE—REAR,27 AUTO	1
9	003368	NUT,HEX LOCK—.375-16,ZN PLT	4	31	056426	RUBBER,SQUEEGEE—BACKUP,27 AUT	1
10	056808	SPRING,COMP—.970D,.750L,.072W	1	32	056671	STRAP,SQUEEGEE—27" AUTO	1
11	035138	WDMT,SQUEEGEE BRACKET—33&39	1	33	004531	WSHR FLT .281ID.625OD.080T,SS	8
12	002445	SCR CAP HEX HD .375-16-2.50L	1	34	002454	SCR CAP HEX HD .250-20X1.50L	2
13	003268	SCR CAP HEX HD .375-16X3.00L	1	35	002476	SCR CAP HEX HD .250-20X2.00L	2
14	005383	PIN,COTTER—.094X1.000 LONG	2	36	002455	SCR CAP HEX HD .250-20X2.50L	4
15	004223	WSHR FLT .406ID.625OD.036T STL	2	37	056435	SPACER,SQUEEGEE—RIGHT,27" AUT	1
16	005591	NUT,SELF RETAINING—.250-20	8	38	002332	SCR CAP HEX HD .375-16X1.75L	1
17	057193	WHEEL,PLASTIC—3"OD,3/8"BORE	2	39	056585	SPRING,COMP .845D 1.75L .085WD	1
18	034172	WDMT,BRACKET—SQUEEGEE WHEEL	1	40	035163	ASM,KNOB—ADJUSTMENT,.375-16	1
19	056466	GASKET,SQUEEGEE—.187X2,9.75L	1	41	047484	KNOB	2
20	003249	SCR CAP HEX HD .312-18X1.25L	2	42	005594	BOLT,EYE—.250-20,X1.0 SHANK	1
21	004212	WSHR LK .326ID.586OD.078TSPLT	2	43	035302	ASM,HOSE—SQUEEGEE 1.5DIA,BLK	1
22	053699	SPACER,STL—.312X.437,.43L	2	44	046688	CLAMP,HOSE—1.75 MAX DIA,WORM	1

AVAILABLE ASSEMBLIES

- 035215 ASM, SQUEEGEE--INCLUDES ITEMS 16, 19-37
 035309 ASM, SQUEEGEE LINKAGE--INCLUDES ITEMS 1-18, 38-41
 0395' SET, SQUEEGEE BLADE--INCLUDES ITEMS 27, 30, 31

KA-27SS BRUSH HEAD ASSEMBLY



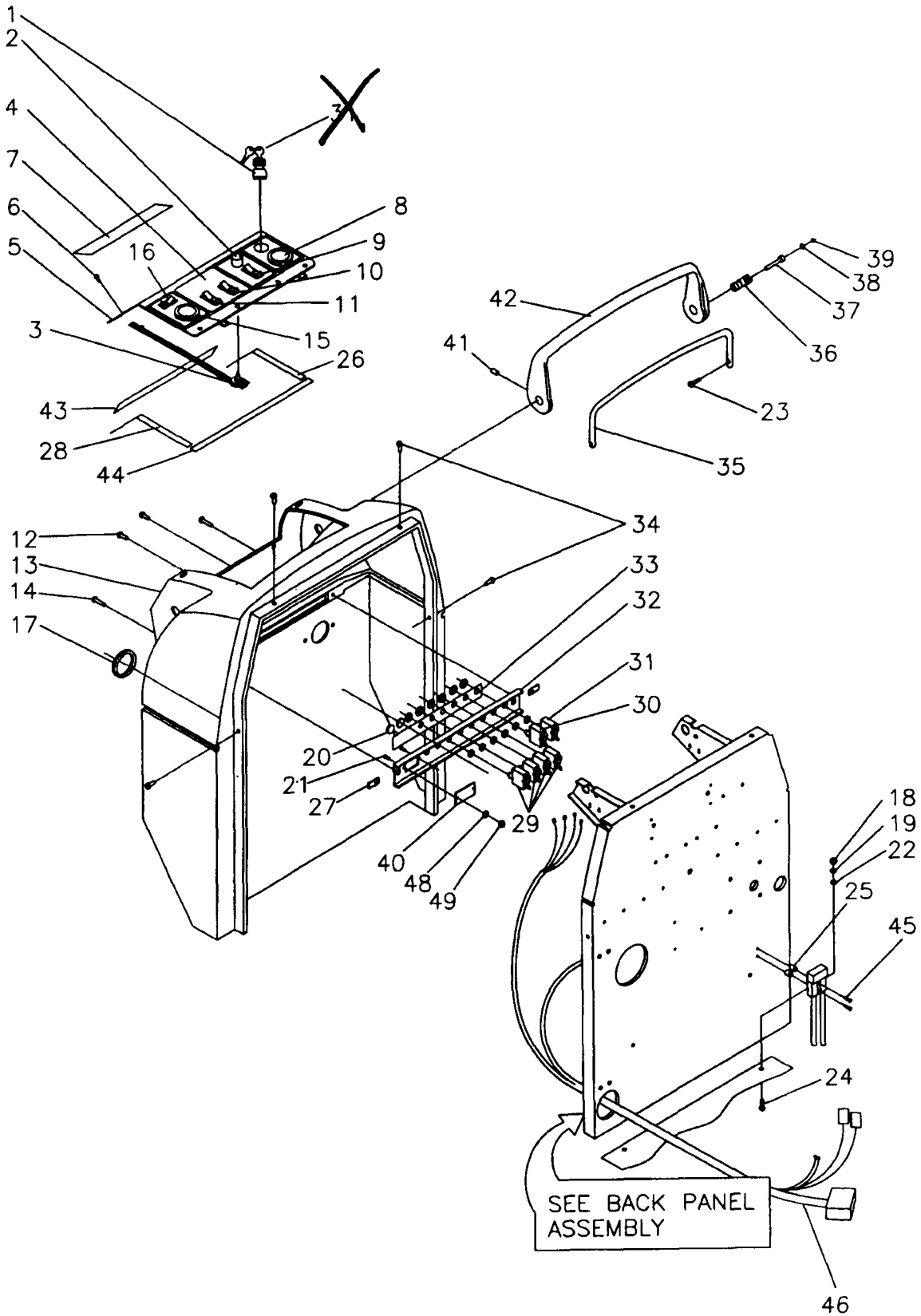
KA-27SS BRUSH HEAD PARTS LIST

DET.	PART NO.	DESCRIPTION	QUANT.	DET.	PART NO.	DESCRIPTION	QUANT.
1	005200	PIN,COTTER—.125X1.000 LONG	2	28	048607	TUBE,VINYL—.500X.750, 1.50L	2
2	004238	WSHR FLT .531ID1.000D.071T STL	4	29	035332	ASM,TUBE—PVC,SOLUTION,27"	1
3	005227	WSHR FLT .531ID.875OD.036T STL	2	30	005316	SCR TPG F PAN HD 10-24X.375L	2
4	026603	SWITCH,LVR—DPST,20A,125-250V	2	31	051474	CLAMP,LOOP—.609 CLOSED I.D.	2
5	027154	ACTUATOR,DC—24V,500LBS,6IN	1	32	053277	BRACKET,SOLN TUBE—.75X.75X1.8	4
6	0357-7-02	WDMT,ACTUATOR TUBE—BRUSH LIFT	1	33	046762	RING,RTNG—INT,1.18 CYL,N5000	1
7	004250	WSHR LK .148ID.250OD.031TSPLT	4	34	003363	NUT,HEX LOCK—.250-20,ZN PLT	4
8	003274	NUT,HEX— 6-32,ZN PLT	2	35	056464	TUBE,SS—1.500D,16GA,1.937L	2
9	046425	SPACER,PHEN—.250X.437, .250L	2	36	056445	SHAFT,DRIVE—BRUSH,AUTOS	2
10	056155	PIN—ACTUATOR	1	37	003466	NUT,HEX— 6-32,SS	4
11	059623	Shaft + Gear	2	38	057046	CLIP,RETAINING—BRUSH LUG,27	2
11	024439	ASM,MTR&GEAR UNIT—24V,W/RINGS	2	39	056446	HUB,DRIVE—BRUSH,AUTOS,LEFT	1
12	057113	KEY,SQUARE—.250SQ,1.50L	2	40	001515	SCR MACH PAN HD 6-32X.500L	4
13	001489	SCR MACH RD HD 6-32X1.75L	2	41	005358	WSHR LK—.326ID.586OD.078T SPL	2
14	054427	SPRING,COMP—1.09D 2.50L.135WD	1	42	002473	SCR CAP SOC HD .312-18X2.00L	2
15	056639	PLATE,STL—13GA,1.125DIA	1	43	002473	SCR MACH FLAT HD 10-24X.875L	12
16	003270	SCR CAP HEX HD .500-13X1.25L	4	44	057159	PLATE,SS—BRUSH MTG RING,RIGHT	3
17	056473	SPACER,STL—.531X.750C .218L,Z	4	45	222224	NUT,HEX LOCK— 10-24,ZN PLT	12
18	056254	BAR,STL—.375X1.25, 9.25L	4	46	057160	PLATE,SS—BRUSH MTG RING,LEFT	1
19	003370	NUT,HEX LOCK—.500-13,ZN PLT	4	47	056447	HUB,DRIVE—BRUSH,AUTOS,RIGHT	1
20	005219	WSHR FLT .406ID1.000D.071T STL	2	48	004529	RING,RTNG—INT,2.375 BORE	2
21	035313	WDMT,BRUSH HEAD—27 AUTO	1	49	002459	SCR CAP HEX HD .250-20X.500LSS	4
22	056987	SHAFT,STL—.375DIA, 5.75L	1	50	004352	PIN,LOCK—.125 DIA WIRE	2
23	055297	TUBE,FORMED—AUTO,SOLN,RIGHT	2	51	004548	WSHR FLT 1.770ID2.342OD.078T	2
24	004214	WSHR LK .390ID.683OD.094TSPLT	8	52	005630	LUG,BRUSH—.250-20 THREAD	6
25	003262	SCR CAP HEX HD .375-16X1.00L	8	53	039276	BRUSH,MTR—FOR 024372 MOTOR	4
26	056986	TUBE,VINYL—.313X.500, 1.00L	2				
27	051117	CLAMP,HOSE—.875 MAX DIA,WORM	4				

AVAILABLE ASSEMBLIES

- 035491 ASM, BRUSH HEAD--INCLUDES ITEMS 1-51, 53
- 035315 ASM, SOLUTION LINE--INCLUDES ITEMS 23, 26-29
- 035366 ASM, DRIVE HUB, RIGHT--INCLUDES ITEMS 7, 35-45, 48, 51
- 035367 ASM, DRIVE HUB, LEFT--INCLUDES ITEMS 7, 35-38, 40-43, 45-48, 51

KA-27SS REAR COVER ASSEMBLY



KA-27SS REAR COVER PARTS LIST

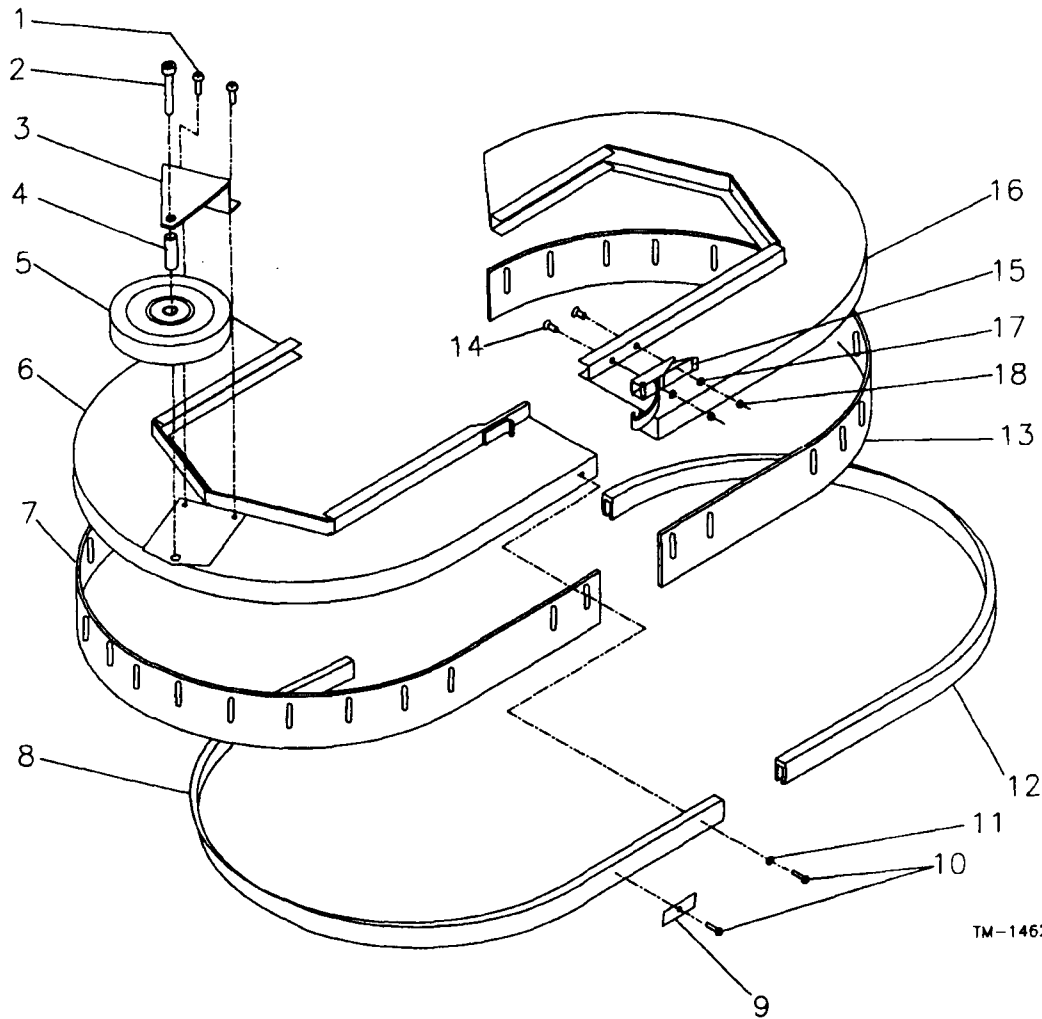
DET. PART NO.	DESCRIPTION	QUANT.	DET. PART NO.	DESCRIPTION	QUANT.
1 057293	Master Key				
1 026584	STARTER SWITCH-LOCKING	1	25 046309	SPACER, PHEN-- .250X.500. .500L	2
2 056596	KNOB, PLASTIC--BLACK, .92DIA X.95	1	26 057308	GASKET-- .125x.500.8.656L, LEFT	1
3 026158	ASM, POTENTIOMETER--W/RESISTER	1	27 003429	NUT, SPEED, U-- .250-20. .58X1.125	2
4 057614	LABEL--INSTR PANEL, AUTO, SS	1	28 057309	GASKET-- .125x.500.8.656I	1
5 057343	PANEL, INSTR--SELECT SCRUB	1	29 026148	CIRCUIT BREAKER--30 AMP	4
6 002382	SCR TPG F PAN HD 10-B X.500L	6	30 026751	CIRCUIT BREAKER--10AMP	2
7 057175	LABEL--SAFETY INSTRUCTIONS, ENG	1			
8 026135	VOLTMETER--18-30 VDC, ROUND	1	31 027146	KEY, AUTOMATIC-- FOR P/N 026364	1
9 026130	SWITCH, RKR--DPDT, ON/OFF/ON	1	32 056499	PANEL, CIRCUIT BREAKER--AUTOS	1
10 026129	SWITCH, RKR--DPST, OFF/ON/(ON)	1	33 057430	LABEL--CIRCUIT BREAKER, SS AUTO	1
			34 002371	SCR TPG F PAN HD 10-24X.625L	6
11 026045	SWITCH, RKR--SPST	1	35 056595	HANDLE, STL-- .625DIA, PAINTED	1
12 002343	SCR TPG F PAN HD .250-20X.500L	2	36 056359	SHAFT, STL-- .750DIA, 1.75L	2
13 057362	COVER, REAR--MACH, AUTO, 33&39SS	1	37 002471	SCR CAP SOC HD-- .25-20X1.25 L	2
14 002334	SCR MACH RD HD .250-20X.750L	2	38 004208	WSHR FLT .281ID.500OD.036T STL	2
15 026131	AMMETER--DC, 0-75A, ROUND, 2.0DIA	1	39 056761	RING, RTNG--INT., 500BORE, N5000	2
16 026046	SWITCH, RKR--DPDT	2	40 057322-05	PLATE, STL--BREAKER PANEL, PAINT	1
17 003244	SCR CAP HEX HD .312-18X.750L	2			
18 003349	NUT, HEX-- .312-18, ZN PLT	2	41 005387	SCR SET CUP PT .312-18X.500L	2
19 004212	WSHR LK .326ID.586OD.078TSPLT	2	42 056594	HANDLE, ACTUATOR--AUTOS, PAINTED	1
20 057103	PLUG, BUTTON-- .500MHD, BLACK, PLS	2	43 057310	GASKET-- .125x.500.11.75L	1
			44 057306	GASKET-- .125x.500.13.75L, TOP	1
21 223188	SCR MACH PAN HD 6-32X.500L	2	45 001497	SCR MACH RD HD 6-32X1.50L	2
22 004218	WSHR FLT .344ID.750OD.060T STL	2	46 026160	HARNES, WIRE--SELECT SCRUB	1
23 005478	SCR MACH RD HD .250-20X.500L	2	48 004249	WSHR LK .150ID.320OD.022T EXT	2
24 003244	SCR CAP HEX HD .312-18X.750L	2	49 003274	NUT, HEX-- 6-32, ZN PLT	2

29 002373 Screw 8
 29 004249 Washer 8

AVAILABLE ASSEMBLIES

035464 ASM, INSTRUMENT PANEL--INCLUDES ITEMS 1, 4-5, 7-11, 15-16, 26, 28, 43-44

KA-27SS BRUSH COVER ASSEMBLY



TM-1462

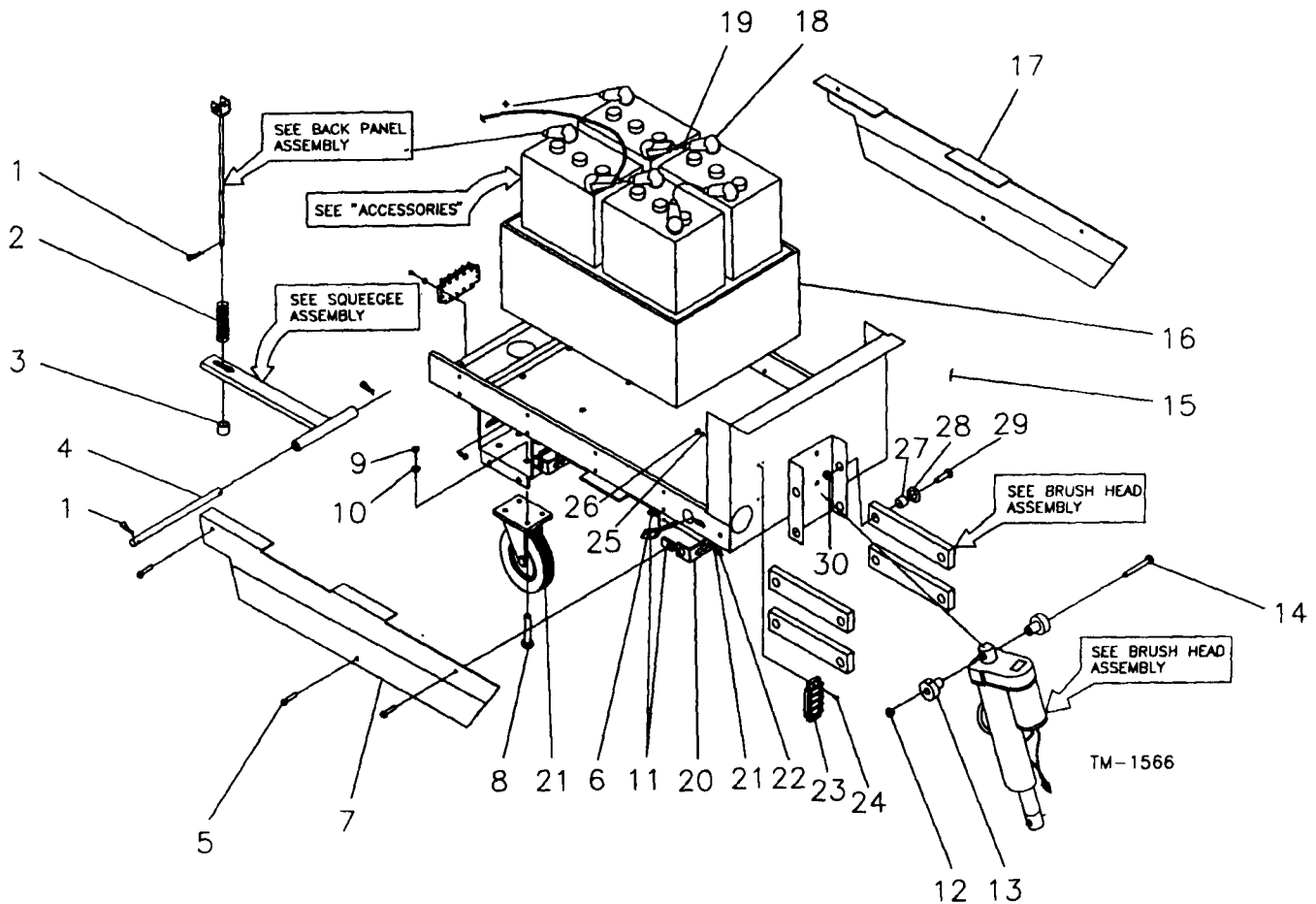
DET. PART NO.	DESCRIPTION	QUANT.	DET. PART NO.	DESCRIPTION	QUANT.		
1	002357	SCR MACH PAN HD .250-20X.625L	2	10	004542	SCR TPG F PAN HD 10-24X.875L	22
2	005536	SCR CAP SOC HD .375-16X2.00L	1	11	005323	WSHR FLT .203ID.500OD.036T STL	4
3	056701	BRACKET,BUMPER WHEEL-27 AUTO	1	12	056939	CHANNEL,VINYL-BRUSH CVR,27,LT	1
4	056684	SPACER,STL-.500X17GA,1.50L,Z	1	13	056937	GUARD,SPLASH-27 AUTO,LEFT	1
5	056673	WHEEL,BLACK-5" OD	1	14	001288	SCR MACH FLAT HD 10-24X.500L	2
6	035281	WDMT,BRUSH COVER-27 AUTO,RT	1	15	054306	CLAMP,TOGGLE-BLACK,1.62 LATCH	1
7	056936	GUARD,SPLASH-27 AUTO,RIGHT	1	16	035282	WDMT,BRUSH COVER-27 AUTO,LEFT	1
8	056938	CHANNEL,VINYL-BRUSH CVR,27,RT	1	17	003279	NUT,HEX- 10-24,ZN PLT	2
9	052006	STR,STL-.062X.437X1.50 LONG	4	18	005297	WSHR LK .200ID.334OD.047TSPLT	2

AVAILABLE ASSEMBLIES

- 035283 ASM, BRUSH COVER, RIGHT--INCLUDES ITEMS 1-11
- 035284 ASM, BRUSH COVER, LEFT--INCLUDES ITEMS 9-18

TM-1564

KA-27SS FRAME ASSEMBLY AND PARTS LIST



DET. PART NO.	DESCRIPTION	QUANT.	DET. PART NO.	DESCRIPTION	QUANT.		
1	004352	PIN, LOCK— .125 DIA WIRE	3	17	056717	SKIRT, LOWER—27 AUTO, LEFT	1
2	056618	SPRING, COMP— .845D, 3.50L, 100WD	1	18	054186	BOOT, INSULATOR—BATT TERMINALS	8
3	056683	SPACER, STL— .391X.625, .500L, Z	1	19	025085	ASM, WIRE— 6GA, BLK, 10.2L, RINGS	3
4	056977	SHAFT, STL— .375 DIA, 11.00L	1	20	056715	BRACKET, STL—SKIRTS, 27 AUTO	4
5	002480	SCR MACH PAN HD .250-20X.625L	6	21	055658	CASTER, SWIVEL—5.0 DIA, 700 LB	2
6	004254	WSHR LK .267ID.510OD.028T EXT	6	22	003283	NUT, HEX— .250-20, ZN PLT	4
7	056716	SKIRT, LOWER—27 AUTO, RIGHT	1	23	026111	TERMINAL BLOCK—4 GERM, 50 AMP	2
8	003262	SCR CAP HEX HD .375-16X1.00L	8	24	003279	NUT, HEX— 10-24, ZN PLT	8
9	003293	NUT, HEX— .375-16, ZN PLT	8	25	004253	WSHR LK .204ID.410OD.025T EXT	8
10	004214	WSHR LK .390ID.683OD.094TSPLT	8	26	005457	SCR MACH PAN HD 10-24X1.00L	8
11	003429	NUT, SPEED, U— 250-20, .58X1.125	4	27	056473	SPACER, STL— .531X.750C .218L, Z	4
12	005279	NUT, HEX LOCK— .375-16, NYLOC	1	28	004238	WSHR FLT .531ID1.00OD.071T STL	4
13	054502	BSHG, SLV— .377ID.498OB1.00FLNG	2	29	003270	SCR CAP HEX HD .500-13X1.25L	4
14	003267	SCR CAP HEX HD .375-16X2.75L	1	30	003370	NUT, HEX LOCK— .500-13, ZN PLT	4
15	035277	WDMT—UPPER CHASSIS, 27"	1				
16	056727	BOX, BATT—MACH, 27 AUTO	1	31	039563	KIT, WHEEL&AXLE—FOR 055658	2

TM-1566

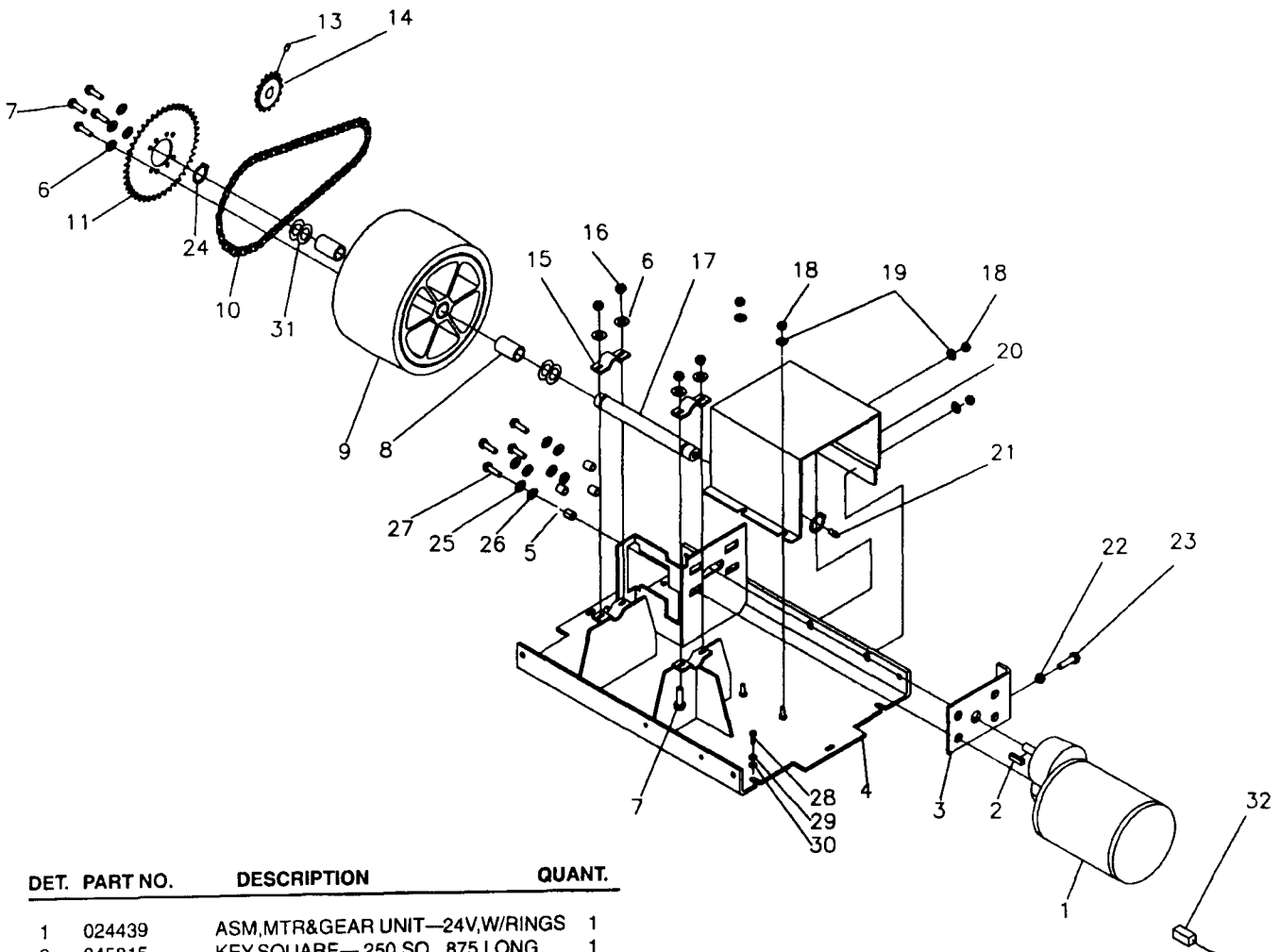
18 003246 Bolts

18 003356 Nuts

19 025252 Red - Bolt +

17 025445 Black - Bolt

KA-27SS CHASSIS ASSEMBLY AND PARTS LIST



TM-1673

DET. PART NO.	DESCRIPTION	QUANT.	
1	024439	ASM,MTR&GEAR UNIT—24V,W/RINGS	1
2	045815	KEY,SQUARE—.250 SQ. .875 LONG	1
3	035262	WDMT,BRKT—TENSION,DRIVE MTR	1
4	035209	WDMT,LOWER CHASSIS—27" AUTO	1
5	056681	SPACER,STL—.375X.625,.400L	4
6	004212	WSHR LK .326ID.586OD.078TSPLT	8
7	003244	SCR CAP HEX HD .312-18X.750L	8
8	027130	BEARING,SLEEVE—1"ID,1.25"OD	2
9	035097	ASM,WHEEL—10"OD,AUTO'S	1
10	056448	CHAIN,ROLLER—#40,70LK&CONN	1
11	051376	SPROCKET,CHAIN—#40,.500P,44T	1
13	002234	SCR SET CUP PT .250-20X.500L	1
14	056505	SPROCKET,CHAIN—#40,.500P,17T	1
15	056327	CLAMP,AXLE—BLACK	2
16	003349	NUT,HEX—.312-18,ZN PLT	4
17	056258	AXLE—1.00 DIA X 9-5/16"L	1
18	003283	NUT,HEX—.250-20,ZN PLT	4
19	002278	WSHR LK .262ID.489OD.062TSPLT	4
20	056405	COVER,MOTOR—AUTOMATICS	1

9 056242-1 Polywheel
 10 044781 Master Link ← ADD

DET. PART NO.	DESCRIPTION	QUANT.	
21	054330	ZERK,GREASE—.250-28 THREAD	1
22	003294	NUT,HEX JAM—.375-16,ZN PLT	1
23	002332	SCR CAP HEX HD .375-16X1.75L	1
24	048537	RING,RTNG—EXT. .984 SHAFT,5160	2
25	004214	WSHR LK .390ID.683OD.094TSPLT	4
26	004384	WSHR FLT .406ID.875OD.064T STL	4
27	003264	SCR CAP HEX HD .375-16X1.25L	4
28	003259	SCR CAP HEX HD .375-16X.625L	4
29	004215	WSHR LK .398ID.694OD.040T EXT	4
30	005320	WSHR FLT .406ID.750OD.060T STL	4
31	004330	WSHR FLT 1.05ID 1.50OD .036T STL	4
32	039276	BRUSH,MTR—FOR 024372&027153	4

AVAILABLE ASSEMBLIES

035483 ASM, LOWER CHASSIS--INCLUDES ITEMS 1-31

TM-1691