



Electronic Service Manuals

This electronic document is provided as a service to our customers. We do not create the contents of the information contained in this document. Should you have detailed questions pertaining to the information contained in this document, you may contact Michco, or the manufacturer which provided the original information in this electronic deliverable. Michco's only part in this electronic deliverable was the electronic assembly process.

You may contact Michco through the following methods:
Phone (517) 484-9312 or (800) 331-3339 MI, OH, IN only
2011 N. High St. -- Lansing, Michigan -- 48906
Fax: (517) 484-9836
Email: CustServ@Michco.com
Web site: www.Michco.Com
Parts Web site: www.FloorMachineParts.Com

Order Parts on Line at:
www.FloorMachineParts.Com

Directly to Parts & Service:
By Email: **Shop@Michco.com**
By Fax: (517) 702-2041
By Voice: Use numbers above.

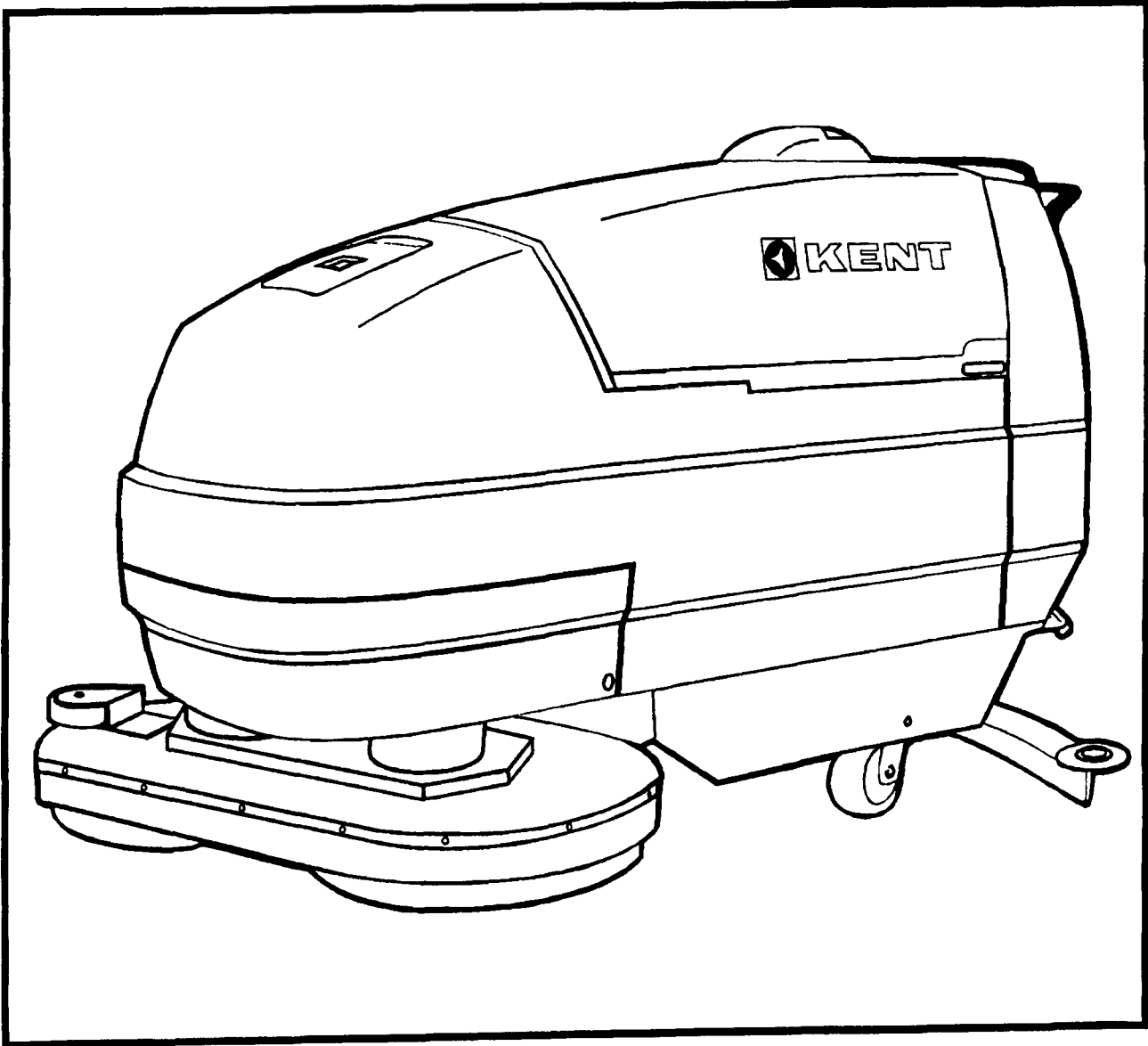
Serving the Cleaning Industry Since 1922

Notice: All copyrighted material remains property of original owners, all trademarks are property of respective owners. Manuals are subject to Manufacturer's reproduction limitations. Originals or reproductions were provided by manufacturers through a request. We make no warranty as to the correctness of information provided in this document and you assume all risk.



KENT

PARTS



KA-27SSA

Spare Parts List

TABLE OF CONTENTS

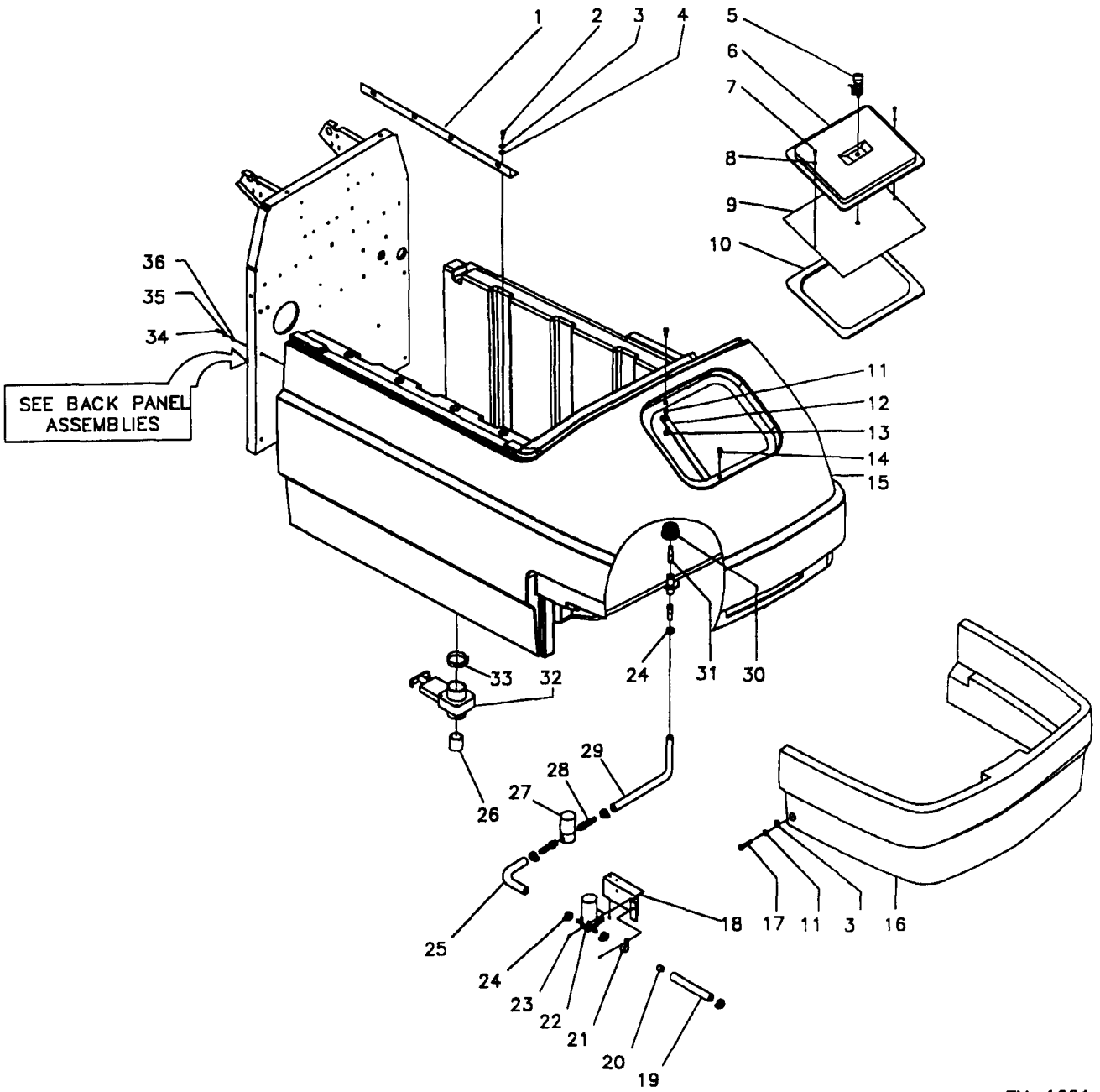
SOLUTION TANK ASSEMBLY.....	2-3
RECOVERY TANK ASSEMBLY.....	4-5
BACK PANEL ASSEMBLY.....	6-7
SQUEEGEE ASSEMBLY.....	8-9
BRUSH HEAD ASSEMBLY.....	10-11
REAR COVER ASSEMBLY.....	12-13
BRUSH COVER ASSEMBLY.....	14
FRAME ASSEMBLY.....	15
CHASSIS ASSEMBLY.....	16
WIRING DIAGRAM.....	17

RECOMMENDED SPARE PARTS

Recommended spare parts should be ordered and stocked to avoid possible downtime in case of failure, breakage, or normal wear.

<u>PART NO.</u>	<u>DESCRIPTION</u>	<u>QTY.</u>
035302	ASM, HOSE--SQUEEGEE, BLK, 22"L	1
035129	ASM, HOSE--TANK, BLK, 36"L	1
035179	ASM, HOSE--DUMP, 1.50 DIA., BLK, 40"L	1
039276	BRUSH, MTR--FOR 027153 MOTOR	4
039428	BRUSH, MTR--FOR 024373 VAC MTR	2
047484	KNOB	1
056425	RUBBER, SQUEEGEE--27" AUTO, FRONT	1
056427	RUBBER, SQUEEGEE--27" AUTO, REAR	1
056426	RUBBER, SQUEEGEE--27" AUTO, BACKUP	1
056466	GASKET, SQUEEGEE--.187 X 2, 9.75L	1
056793	FILTER, SCREEN--1.85ID, SS	1

KA-27 SOLUTION TANK ASSEMBLY



TM-1921

KA-27SS SOLUTION TANK ASSEMBLY

DET	PART NO.	DESCRIPTION	QTY
1	056514	HINGE,BUTT--RS 056291,BLACK	1
2	223218	SCR CAP HEX HD .250-20X.625L	4
3	004208	WSHR FLT .281ID.500OD.036T STL	4
4	004254	WSHR LK .267ID.510OD.028T EXT	4
5	055222	LATCH,TWIST--VIST ACTION	1
6	057040	LID,TANK--SOL TANK,27 AUTO	1
7	005587	RIVET,POP--.125DIA.,.188MAX G.R	2
8	E49455	WSHR FLT .127ID.250OD.030T STL	2
9	057041	PLATE,SS--20GA,8.25X10.75	1
10	057044	SEAL,FLEXIBLE--RS 098473,28.0L	1
11	046425	SPACER,PHEN--.250X.437, .250L	2
12	057043	BAR,STL--.120X.750, 8.75L	1
13	005480	NUT,HEX LOCK-- 10-24,NYLOC	2
14	002452	SCR MACH PAN HD 10-24X1.00L,SS	2
15	056698	TANK,SOLUTION--MACH'D,27 AUTO	1
16	056978	COVER,FRONT--FLAME TREATED,27	1
17	002471	SCR CAP SOC HD--.25-20X1.25 L	2
18	056659	BRACKET,WATER PUMP--	1
19	052887	TUBE,VINYL--.375X.625,18.00L,R	1

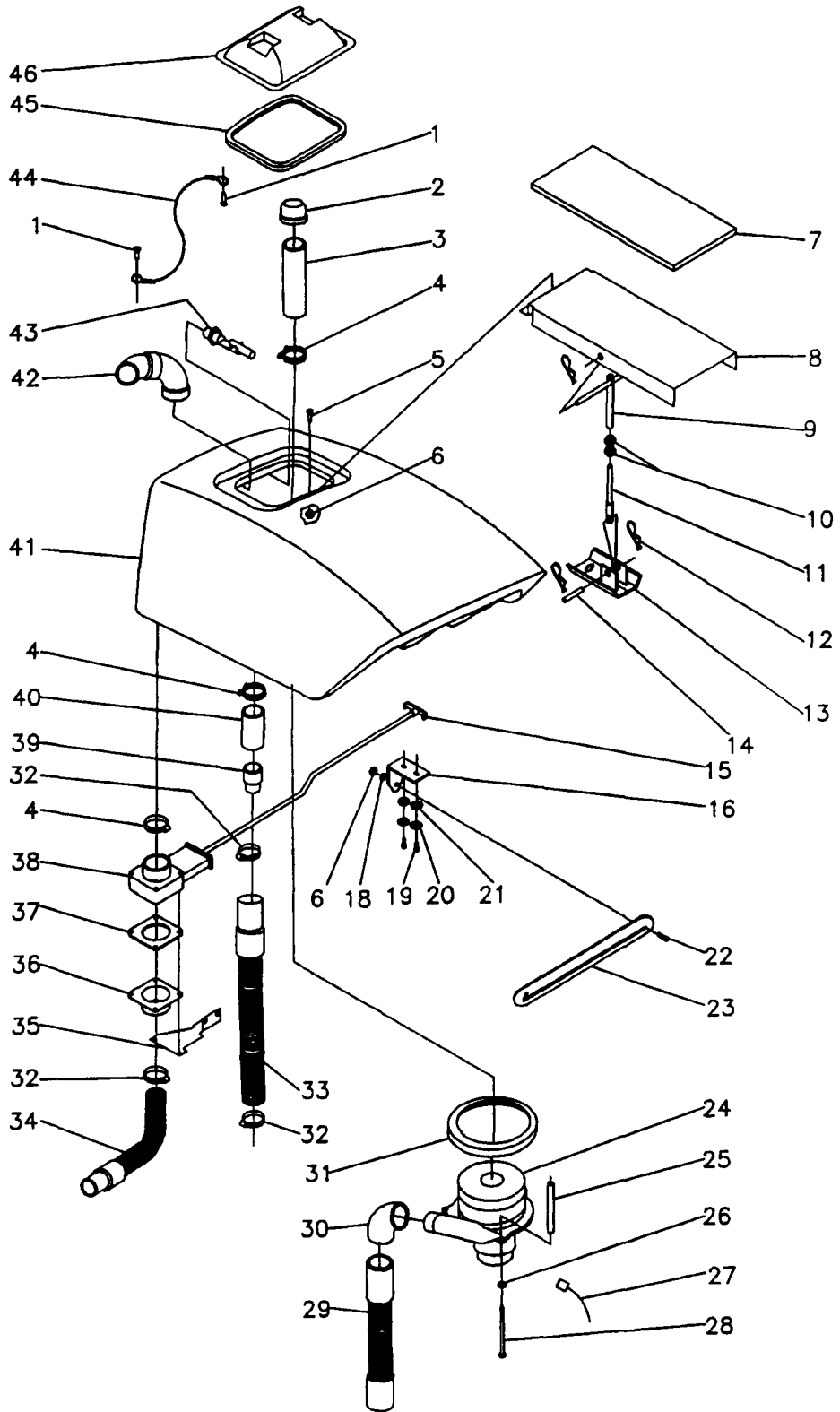
DET	PART NO.	DESCRIPTION	QTY
20	057688	SPACER,SS--.106X.400, .500L	1
21	051474	CLAMP,LOOP--.625 CLOSED ID,NYL	1
22	035257	ASM,PUMP--12V,1GPM	1
23	005316	SCR TPG F PAN HD 10-24X.375L	5
24	051581	CLAMP,HOSE--.625 MAX DIA,WORM	6
25	048505	TUBE,VINYL--.500X.750, 6.75L	1
26	056593	TUBE,PLSTC--1.58-1.50 REDUCER	1
27	027145	VALVE,SOLENOID--24V	1
28	054691	ADPTR,PP-HS--3/8MPTX3/8HS,BRS	2
29	057580-8	TUBE,VINYL--.375X.625,5.0L,R	1
30	057209	LINE STRAINER--80 MICRON,S.S.	1
31	051207	ADPTR,PP-HS--1/2MPTX3/8HS,PLS	2
32	055070	VALVE,SLIDE--SHUTOFF,1.5PIPE,T	1
33	049999	CLAMP,HOSE--2.25 MAX DIA,WORM	1
34	002242	SCR CAP SOC HD .250-20X.625L	4
35	002278	WSHR LK .262ID.489OD.062TSPLT	4
36	004254	WSHR LK .267ID.510OD.028T EXT	4

AVAILABLE ASSEMBLIES

035297
035331

ASM, SOLUTION TANK--INCLUDES ITEMS 1-7, 19-21, 26-33
ASM, LID--SOLUTION TANK 29-33

KA-27SS RECOVERY TANK ASSEMBLY



TM-1923

KA-27SS RECOVERY TANK ASSEMBLY

DET	PART NO.	DESCRIPTION	QTY
1	002382	SCR TPG F PAN HD 10-10X.500L	2
2	056793	FILTER,SCREEN--1.85ID,SS	1
3	055494	PIPE,PVC--1.50 SCH40 X 6.00L	1
4	049999	CLAMP,HOSE--2.25 MAX DIA,WORM	3
5	002491	SCR MACH FLT HD 10-24X1LSS	2
6	005480	NUT,HEX LOCK-- 10-24,NYLOC	4
7	057029	GASKET,SUPPORT--27"AUTO	1
8	057033	PLATE,STL--REC TANK,SS	1
9	035326	WDMT,SUPPORT--AUTOS	1
10	003438	NUT,HEX JAM--.375-16,SST	2
11	035327	WDMT,SUPPORT--REC TANK	1
12	004352	PIN,LOCK--.125 DIA WIRE	4
13	057025	PLATE,STL--16GA,SS	1
14	057026	PIN,STL--3/8"OD,SS	1
15	057187	HANDLE,SLIDE VALVE--SERVICE	1
16	057504-02	BRACKET,STL--11GA,PLATED	1
18	005433	WSHR FLT .281ID.750OD.120T STL	1
19	001366	SCR MACH PAN HD 10-32X.500L	2
20	005323	WSHR FLT .203ID.500OD.036T STL	2
21	004253	WSHR LK .204ID.410OD.025T EXT	2
22	002433	SCR SHLDR SOC HD .250X.500L	1
23	057508-02	BAR,STL--11GA,W/SLOT,PLATED	1
24	026056	ASM,VAC MTR--24V,3-STG,W/TERMS	1

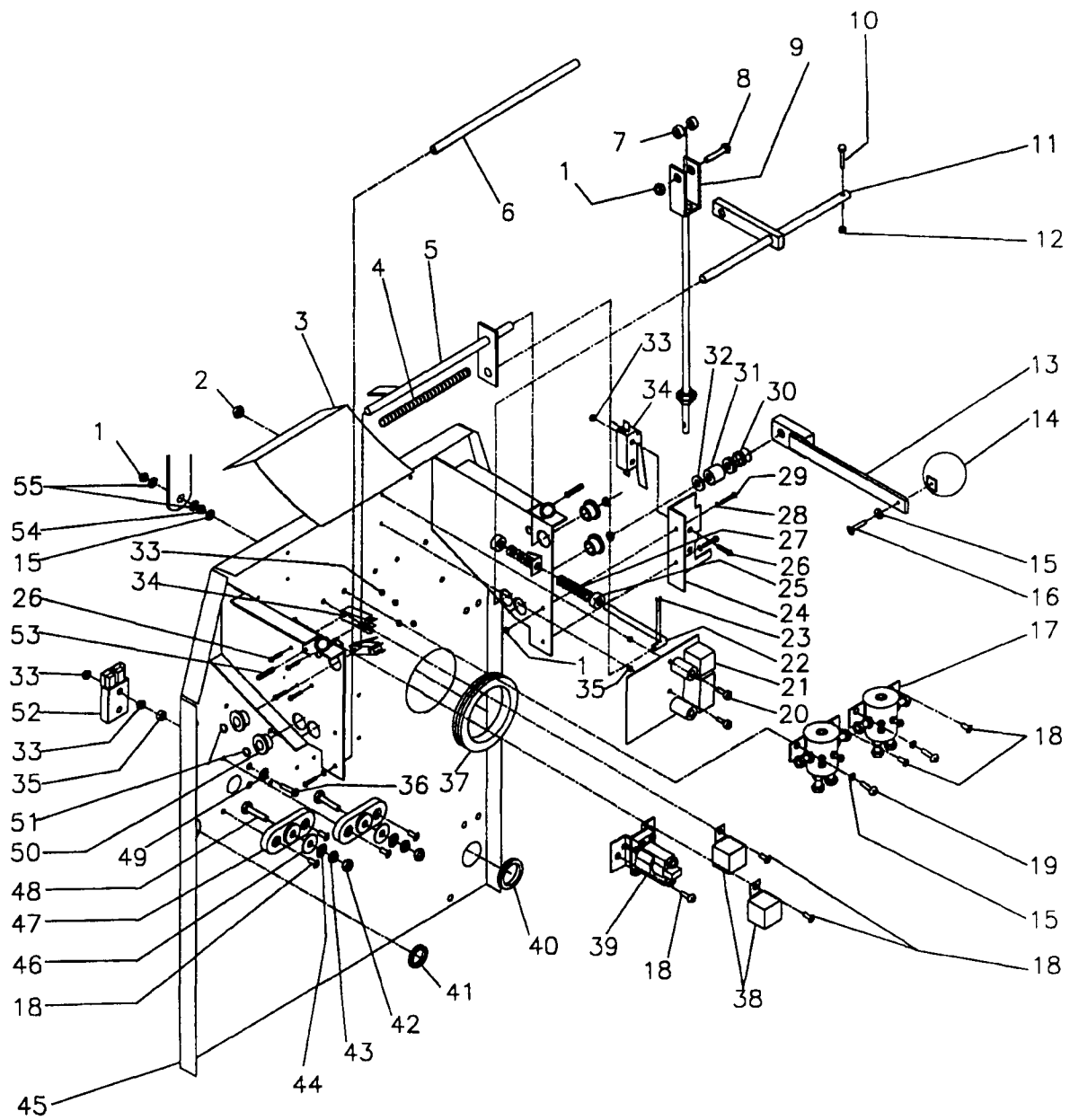
DET	PART NO.	DESCRIPTION	QTY
25	056764	SPACER,PHEN--.265X.500X3.156L	3
26	004254	WSHR LK .267ID.510OD.028T EXT	3
27	038786	BRUSH,MTR--24 AND 36V DC VAC	2
28	223213	SCR CAP HEX HD .250-20X4.00L	3
29	035564	ASM,HOSE--BLK,CUFFS & ELBOW	1
30	056676	ELBOW,PIPE--RS 98402,CUT OFF	1
31	E23788B	RING-MOTOR MOUNTING	1
32	046688	CLAMP,HOSE--1.75 MAX DIA,WORM	2
33	035129	ASM,HOSE--TANK,1.50 DIA,BLK	1
34	035179	ASM,HOSE--DUMP,BLK,1.50 DIA	1
35	057671-05	BKT,STL--16GA,TAML VALVE	1
36	035160	WDMT,DRAIN--RECOVERY TANK	1
37	054762	GASKET,FOAM--.187X2.87X2.87	1
38	057421	VALVE,SLIDE--1-1/2"PIPE,27"AUTO	1
39	053894	FITTING--REDUCER,1.66-1.50,PLS	1
40	057106	TUBE,PVC--RS098403,4.500L	1
41	057437	TANK,REC--MACH'D,27SS	1
42	056758	ASM,ELBOW--RECOVERY TANK	1
43	057002	SWITCH,FLOAT W/WIRE	1
44	056617	WIRE ROPE--.062DIA X 6.00L	1
45	057890	GASKET--.375X.375X36.00L	1
46	057579	LID,DOMED--DURASCUB,CLEAR	1

AVAILABLE ASSEMBLIES

035484

ASM, RECOVERY TANK--INCLUDES ITEMS 1-15, 17-21, 24-31, 36-43

KA-27SS BACK PANEL ASSEMBLY



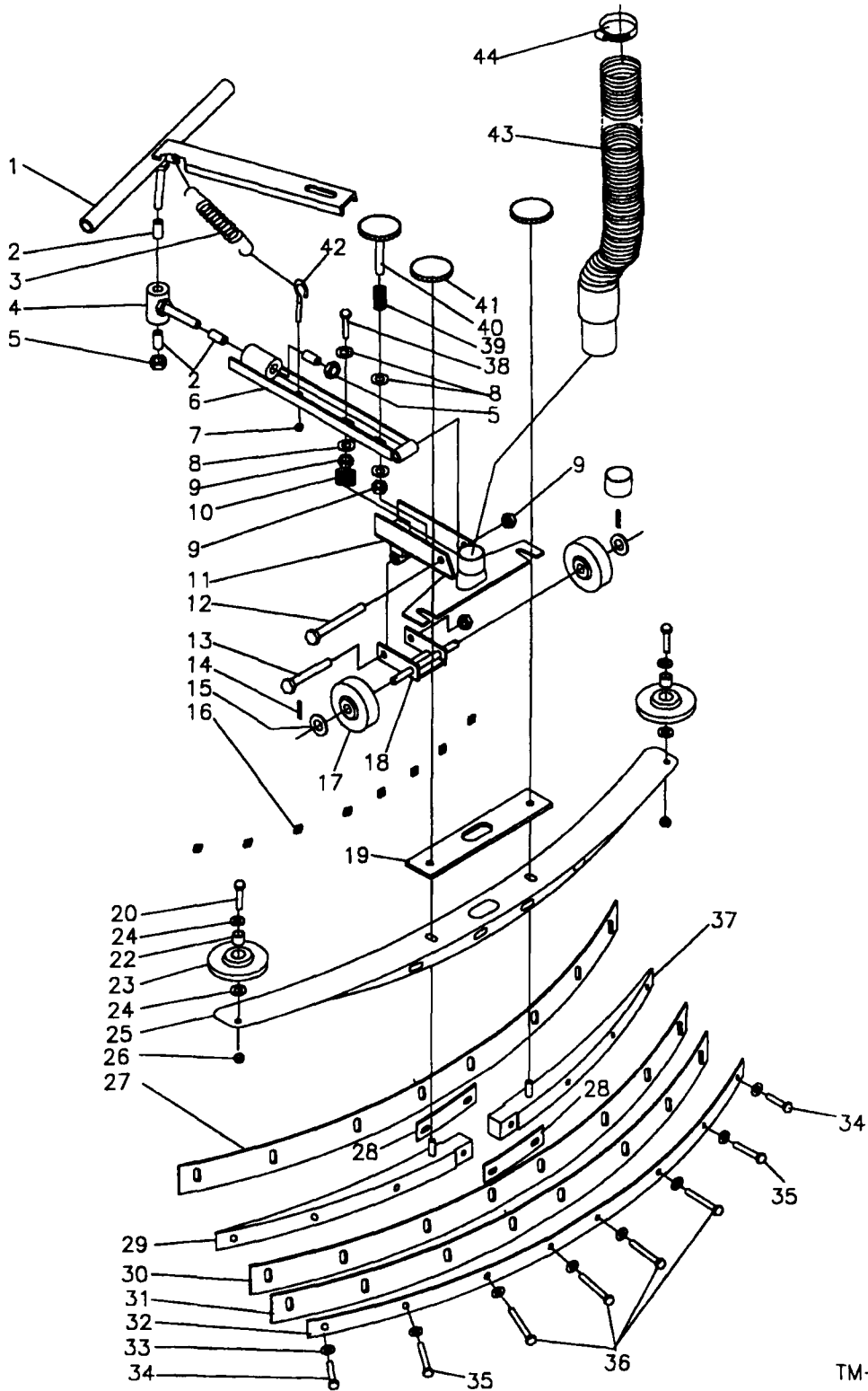
TM-1925

KA-27SS BACK PANEL ASSEMBLY

DET	PART NO.	DESCRIPTION	QTY
1	003363	NUT,HEX LOCK-.250-20,ZN PLT	4
2	003415	NUT,HEX LOCK- 8-32,NYLOC,ZN	2
3	026164	INSULATOR,ELEC-MYLAR,11.5X7	1
4	057176	TUBE,PLSTC-SLIT,.810DX11.0"L	1
5	035384	WDMT,SHAFT-ACTUATOR	1
6	057366	ROD,STL-SUPPORT,HNDL,KA-33SS	1
7	050872	SPACER,PHEN-.250X.500,.375L	2
8	002273	SCR CAP HEX HD .250-20X1.75L	1
9	035488	ASM,SQUEEGEE LIFT-27SS	1
10	002495	SCR CAP SOC HD 10-24X1.25L	1
11	035486-02	WDMT,SQUEEGEE-27SS,PLATED	1
12	005480	NUT,HEX LOCK- 10-24,NYLOC	1
13	035515-05	WDMT,HANDLE-SQUEEGEE,PAINTED	1
14	057391	HANDLE,BALL-ALUM,2.125 DIA	1
15	004254	WSHR LK .267ID,510OD,028T EXT	3
16	002480	SCR MACH PAN HD .250-20X.625L	1
17	026645	SOLENOID-24V	2
18	001514	SCR TPG F PAN HD .250-20X.375L	12
19	002263	SCR MACH RD HD .250-20X1.25L	1
20	005410	SCR MACH RD HD 8-32X1.00L	2
21	026133	CONTROL-DC,AUTOS,CRTS,24V	1
22	053296	ROD,STL-.312 DIA., 6.00 LONG	1
23	004297	PIN,COTTER-.094X .750 LONG	2
24	057413-05	BRKT-ARM STOP,KA-27,PAINTED	1
25	048987	COLLAR-CENTERING SPRING	2
26	001248	SCR MACH RD HD 6-32X1.00L	6
27	056597	SPRING,COMP .480D 2.75L .045WD	2
28	002278	WSHR LK .262ID,489OD,062TSPLT	2

DET	PART NO.	DESCRIPTION	QTY
29	002247	SCR MACH RD HD .250-20X.625L	3
30	057388	SPRING,COMP .975D .88 L .112WD	1
31	057517	SPACER,NYLON-.50ID,.710D,.39T	1
32	004238	WSHR FLT .531ID1.000D,071T STL	3
33	003361	NUT,HEX LOCK- 6-32,NYLOC	8
34	026603	SWITCH,LVR-SPDT,20A,125-250V	3
35	057428	SPACER,ALUM-.187X.375,.375L	4
36	001497	SCR MACH RD HD 6-32X1.50L	2
37	054845	GROM-3.00ID,3.50MHD,.12PA	1
38	026180	RELAY,POWER-24VDC,40/30A,SPDT	2
39	027165	SOLENOID-24V,SPST,NORM OPEN	1
40	056672	GROM-2"IDX2.44MHDX.12PA	1
41	055434	GROM-1.0ID,1.25MHD,.125PA	1
42	003472	NUT,HEX LOCK-.312-18,NYLOC	2
43	003356	NUT,HEX JAM-.312-18,ZN PLT	2
44	004444	WSHR LK .332ID,610OD,034T EXT	2
45	035481	WDMT,BACK PANEL-KA-27SS	1
46	004221	WSHR FLT .344ID1.000D,036T STL	2
47	057872	INSULATOR-MAIN TERMINAL	2
48	003249	SCR CAP HEX HD .312-18X1.25L	2
49	004249	WSHR LK .150ID,320OD,022T EXT	2
50	027131	BRG,FLANGE-.500ID,750OD,500W	4
51	004351	RING,RTNG-EXT,.500 SHAFT, "E"	4
52	027240	ASM,CHARGER PLUG-2 CNDCT	1
53	005624	PIN,ROLL-.312 DIA,1.000L	2
54	222258	NUT,HEX-.250-20,SS	1
55	005433	WSHR FLT .281ID,750OD,120T STL	2

KA-27SS SQUEEGEE ASSEMBLY



TM-1927

KA-27SS SQUEEGEE ASSEMBLY

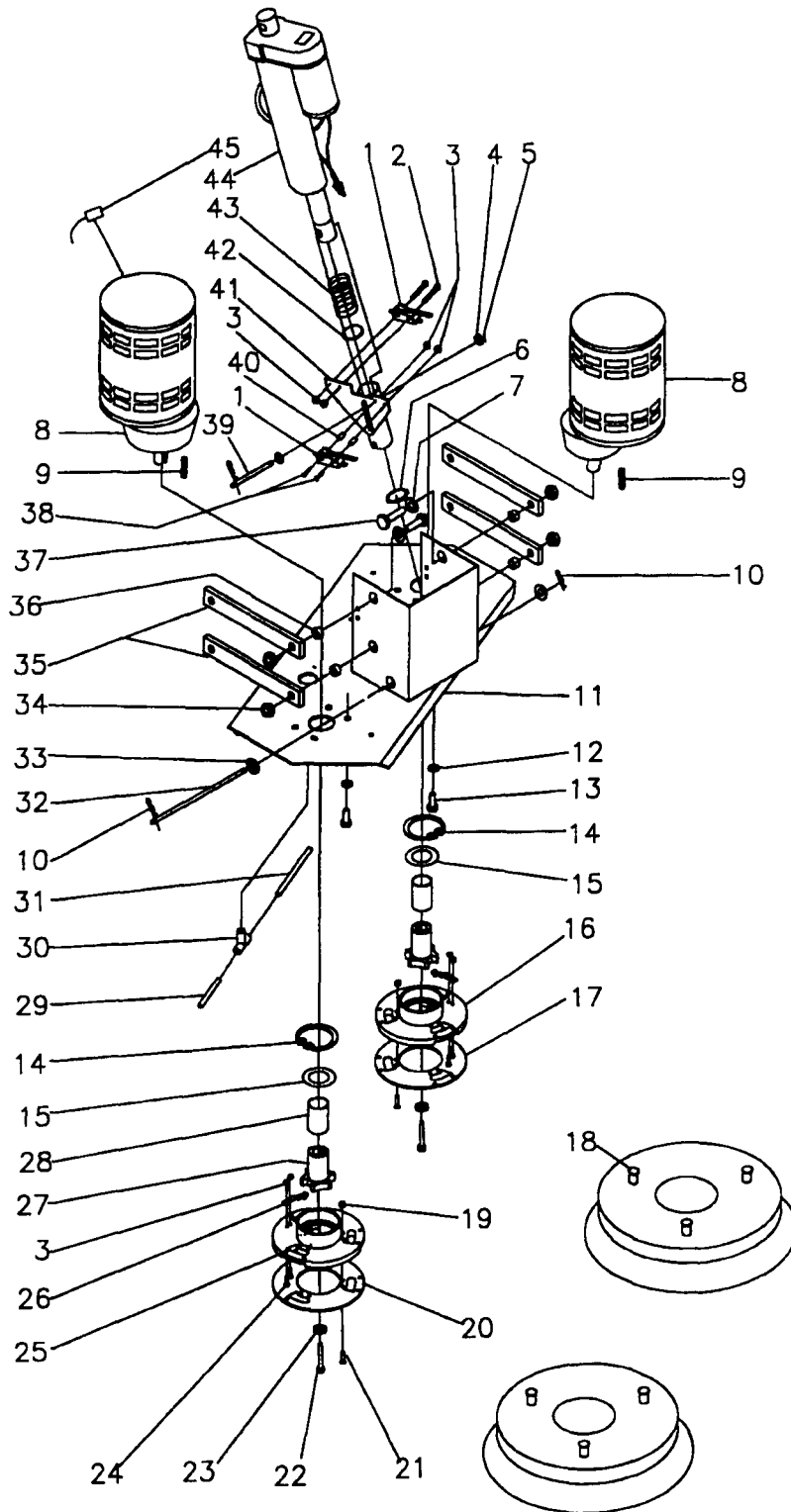
DET	PART NO.	DESCRIPTION	QTY
1	035310	WDMT,SQUEEGEE LIFT-27 AUTO	1
2	027171	BRG,SLV-.500ID,.625OD,.750W	4
3	051136	SPRING,EXT .750D 2.92L .104WD	1
4	035150	WDMT,SQUEEGEE PIVOT-33&39AUTO	1
5	003370	NUT,HEX LOCK-.500-13,ZN PLT	2
6	035137	WDMT,SQUEEGEE BAR-33&39 AUTOS	1
7	005479	NUT,HEX LOCK-.250-20,NYLOC,ZN	1
8	005219	WSHR FLT .406ID1.00OD.071T STL	4
9	005279	NUT,HEX LOCK-.375-16,NYLOC	4
10	056808	SPRING,COMP .970D .750L .072WD	1
11	035138	WDMT,SQUEEGEE BRACKET-33&39	1
12	002445	SCR CAP HEX HD .375-16-2.50L	1
13	003268	SCR CAP HEX HD .375-16X3.00L	1
14	005383	PIN,COTTER-.094X1.000 LONG	2
15	004223	WSHR FLT .406ID.625OD.036T STL	2
16	005591	NUT,SELF RETAINING-.250-20	8
17	057193	WHEEL,PLASTIC-3"OD,3/8"BORE	2
18	034172	WDMT,BRACKET-SQUEEGEE WHEEL	1
19	056466	GASKET,SQUEEGEE-.187X2.9.75L	1
20	003249	SCR CAP HEX HD .312-18X1.25L	2
22	053699	SPACER,STL-.312X.437, .43L	2
23	053720	WHEEL-4.00DIA.,.438BORE,.688HB	2

DET	PART NO.	DESCRIPTION	QTY
24	004218	WSHR FLT .344ID.750OD.060T STL	4
25	035118	WDMT,SQUEEGEE-27"AUTO	1
26	003378	NUT,HEX LOCK-.312-18,ZN PLT	2
27	056425	RUBBER,SQUEEGEE-FRT,27"AUTO	1
28	056461	CLAMP,SQUEEGEE-11GA,5.00L	2
29	056285	SPACER,SQUEEGEE-LEFT,27"AUTO	1
30	056427	RUBBER,SQUEEGEE-REAR,27 AUTO	1
31	056426	RUBBER,SQUEEGEE-BACKUP,27 AUT	1
32	056671	STRAP,SQUEEGEE-27"AUTO	1
33	004531	WSHR FLT .281ID.625OD.080T,SS	8
34	002454	SCR CAP HEX HD .250-20X1.50L	2
35	002476	SCR CAP HEX HD .250-20X2.00L	2
36	002455	SCR CAP HEX HD .250-20X2.50L	4
37	056435	SPACER,SQUEEGEE-RIGHT,27"AUT	1
38	002332	SCR CAP HEX HD .375-16X1.75L	1
39	056585	SPRING,COMP .845D 1.75L .085WD	1
40	035163	ASM,KNOB-ADJUSTMENT,.375-16	1
41	047484	KNOB,PLSTC--2.38OD,.38-16THD	2
42	005594	BOLT,EYE-.250-20,X1.0 SHANK	1
43	035302	ASM,HOSE-SQUEEGEE,1.5DIA,BLK	1
44	046688	CLAMP,HOSE-1.75 MAX DIA,WORM	1

AVAILABLE ASSEMBLIES

035215 ASM,SQUEEGEE-INCLUDES ITEMS 16, 19-37
 035309 ASM, SQUEEGEE LINKAGE-INCLUDES ITEMS 1-18, 38-41

KA-27SS BRUSH HEAD ASSEMBLY



TM-1929

KA-27SS BRUSH HEAD ASSEMBLY

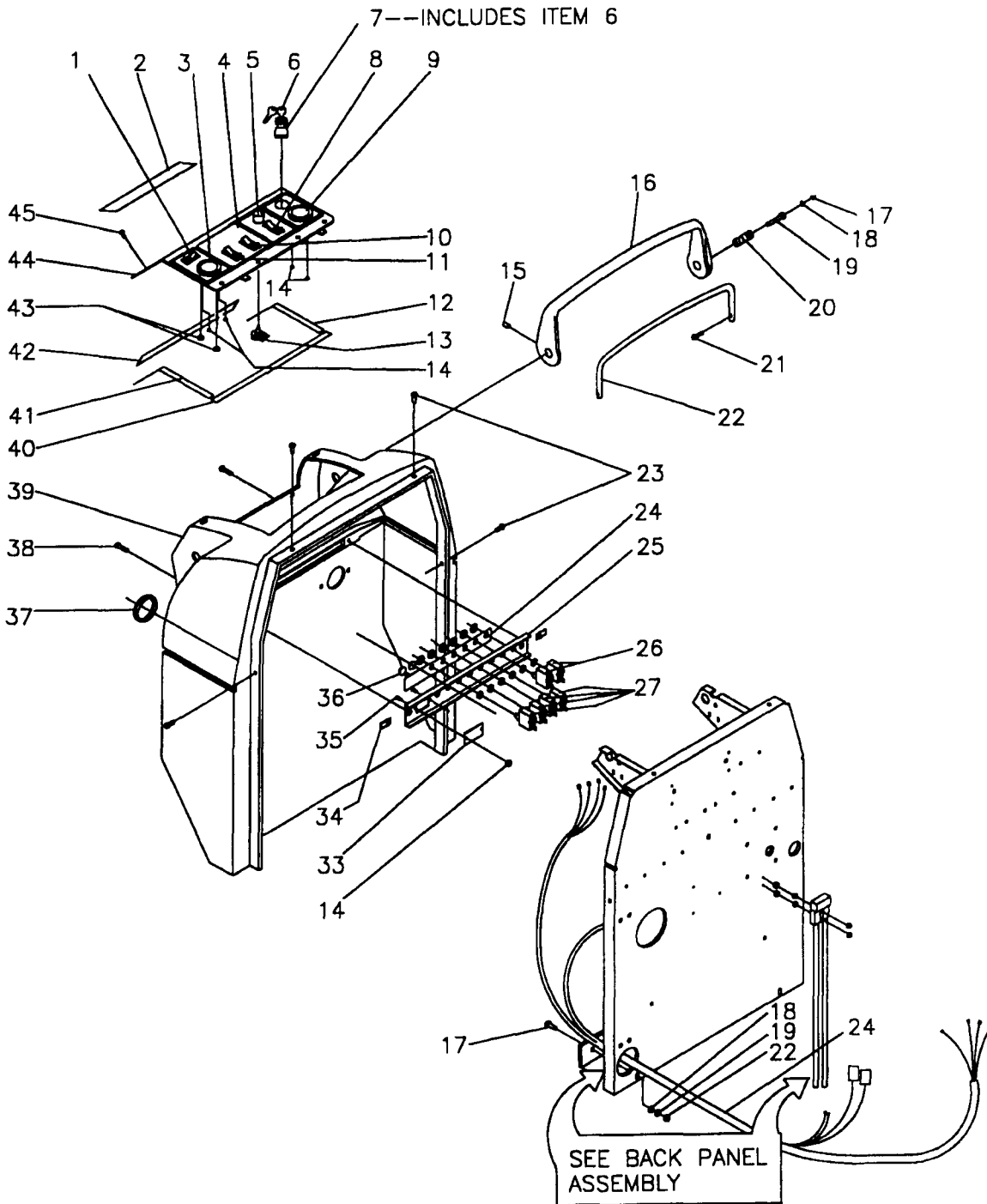
DET	PART NO.	DESCRIPTION	QTY
1	026603	SWITCH,LVR-SPDT,20A,125-250V	3
2	001489	SCR MACH RD HD 6-32X1.75L	2
3	003361	NUT,HEX LOCK-- 6-32,NYLOC	4
4	005227	WSHR FLT .531ID.875OD.036T STL	2
5	005200	PIN,COTTER--.125X1.000 LONG	2
6	046762	RING,RTNG-INT,1.18 CYL,N5000	1
7	004238	WSHR FLT .531ID1.00OD.071T STL	4
8	024439	ASM,MTR&GEAR UNIT-24V,W/RINGS	2
9	057663	KEY,SQUARE--.250 SQ,1.437 LONG	2
10	004352	PIN,LOCK--.125 DIA WIRE	2
11	035313	WDMT,BRUSH HEAD-27 AUTO	1
12	004214	WSHR LK .390ID.683OD.094TSPLT	8
13	003262	SCR CAP HEX HD .375-16X1.00L	8
14	004529	RING,RTNG-INT,2.375 BORE	2
15	004548	WSHR FLT 1.770ID2.342OD.078T	2
16	056447	HUB,DRIVE-BRUSH,AUTOS,RIGHT	1
17	057160	PLATE,SS-BRUSH MTG RING,LEFT	1
18	005630	LUG,BRUSH--.250-20 THREAD	6
19	222224	NUT,HEX LOCK-- 10-24,ZN PLT	12
20	057159	PLATE,SS-BRUSH MTG RING,RIGHT	1
21	002473	SCR MACH FLT HD 10-24X.875L	12
22	002499	SCR CAP SOC HD .312-18X1.50L	2
23	005358	WSHR LK--.326ID.586OD.078T SPL	2

DET	PART NO.	DESCRIPTION	QTY
24	001515	SCR MACH PAN HD 6-32X.500L	4
25	056446	HUB,DRIVE--BRUSH,AUTOS,LEFT	1
26	057046	CLIP,RETAINING--BRUSH LUG,27	2
27	056445	SHAFT,DRIVE--BRUSH,AUTOS	2
28	056464	TUBE,SS--1.50OD,16GA,1.937L	2
29	057580-8	TUBE,VINYL--.375X.625,5.0L,R	1
30	046944	TEE,HOSE-3/8X3/8X3/8,PLSTC	1
31	057580-7	TUBE,VINYL--.375X.625,9.2L,R	1
32	056987	SHAFT,STL--.375DIA, 5.75L	1
33	005219	WSHR FLT .406ID1.00OD.071T STL	2
34	003370	NUT,HEX LOCK--.500-13,ZN PLT	4
35	056254	BAR,STL--.375X1.25, 9.00L	4
36	056473	SPACER,STL--.531X.750, .218L,Z	4
37	003270	SCR CAP HEX HD .500-13X1.25L	4
38	005261	SCR MACH RD HD 6-32X1.25L	2
39	056155	PIN-ACTUATOR	1
40	046425	SPACER,PHEN--.250X.437, .250L	2
41	035547-02	WDMT,ACTUATOR TUBE--BRUSH,PLTD	1
42	056639	PLATE,STL--13GA,1.125DIA	1
43	054427	SPRING,COMP 1.09D 2.50L .035WD	1
44	027154	ACTUATOR,DC--24V,500LBS,6IN	1
45	039276	BRUSH,MTR--FOR 024372&027153	4

AVAILABLE ASSEMBLIES

035491	ASM, BRUSH HEAD--INCLUDES ITEMS 1-51, 53
035366	ASM, DRIVE HUB, RIGHT--INCLUDES ITEMS 7, 35-45, 48, 51
035367	ASM, DRIVE HUB, LEFT--INCLUDES ITEMS 7, 35-38, 40-43, 45-48, 51

KA-27SS REAR COVER ASSEMBLY



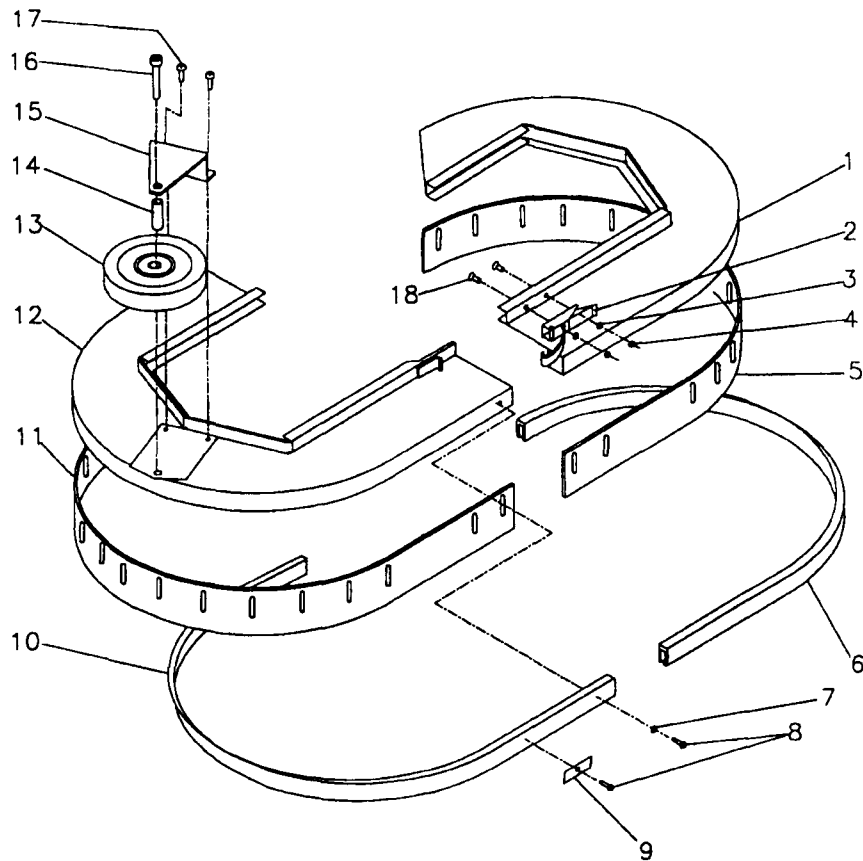
TM-1931

KA-27SS REAR COVER ASSEMBLY

DET	PART NO.	DESCRIPTION	QTY
1	026046	SWITCH,RKR--DPDT	1
2	057836	LABEL--WARNING,AUTOMATICS	1
3	026131	AMMETER,DC--0-75A,ROUND,2.0DIA	1
4	057368	LABEL--INSTR PANEL,AUTO,SS	1
5	056596	KNOB,PLASTIC--BLACK,.92DIAx.95	1
6	057243	KEY,AUTOMATICS--FOR P/N 026584	1
7	026584	STARTER-SWITCH-LOCKING	1
8	026130	SWITCH,RKR--DPDT,ON/OFF/ON	1
9	026135	VOLTMETER--18-30 VDC,ROUND	1
10	026129	SWITCH,RKR--DPST,OFF/ON/(ON)	1
11	027241	SWITCH,RKR--SPDT,ON/OFF MOMT	1
12	057308	GASKET--.125x.500,8.656L,LEFT	1
13	026243	POTENTIOMETER ASSEMBLY	1
14	003361	NUT,HEX LOCK-- 6-32,NYLOC	6
15	005387	SCR SET CUP PT .312-18X.500L	2
16	056594	HANDLE,ACTUATOR--AUTOS,PAINTED	1
17	056761	RING,RTNG--INT.,.500BORE,N5000	2
18	004208	WSHR FLT .281ID.500OD.036T STL	2
19	002337	SCR CAP SOC HD .250-20X1.50L	2
20	056359	SHAFT,STL--.750DIA,1.75L	2
21	005478	SCR MACH RD HD .250-20X.500L	2
22	056595	HANDLE,STL--.625DIA,PAINTED	1
23	001331	SCR TPG C PAN HD 10-24X.750L	6

DET	PART NO.	DESCRIPTION	QTY
24	057430	LABEL--CIRCUIT BREAKER,SS AUTO	1
25	056499	PANEL,CIRCUIT BREAKER--AUTOS	1
26	026751	CIRCUIT BREAKER--10AMP	2
27	026198	CIRCUIT BREAKER--30AMP.SCR TRM	4
28	003349	NUT,HEX--.312-18,ZN PLT	2
29	004212	WSHR LK .326ID.586OD.078TSPLT	2
30	004218	WSHR FLT .344ID.750OD.060T STL	2
31	003244	SCR CAP HEX HD .312-18X.750L	2
32	027172	HARNESS,WIRE--SS/BRUSH PAUSE	1
33	057322-05	PLATE,STL--BREAKER PANEL,PAINT	1
34	003429	NUT,SPEED,U--.250-20,.58X1.125	2
35	223188	SCR MACH PAN HD 6-32X.500L	2
36	057103	PLUG,DOME--.500DIA,BLK PLSTC	2
37	057058	GROM--2"ID,3"OD,.25GW	1
38	002248	SCR MACH RD HD .250-20X.750L	2
39	057407	COVER,REAR--MACH'D,KA-27SS	1
40	057306	GASKET--.125x.500.13.75L.TOP	1
41	057309	GASKET--.125x.500,8.656R	1
42	057310	GASKET--.125x.500,12.75L	1
43	005479	NUT,HEX LOCK--.250-20,NYLOC,ZN	2
44	057343	PANEL,INSTR--SELECT SCRUB	1
45	002382	SCR TPG F PAN HD 10-10X.500L	6

KA-27SS BRUSH COVER ASSEMBLY



TM-1933

DET	PART NO.	DESCRIPTION	QTY
1	035282	WDMT,BRUSH COVER--27 AUTO,LEFT	1
2	054306	CLAMP,TOGGLE--BLACK,1.62 LATCH	1
3	005297	WSHR LK .200ID.334OD.047TSPLT	2
4	003279	NUT,HEX-- 10-24,ZN PLT	2
5	056937	GUARD,SPLASH--27 AUTO,LEFT	1
6	056939	CHANNEL,VINYL--BRUSH CVR,27,LT	1
7	005323	WSHR FLT .203ID.500OD.036T STL	4
8	005482	SCR TPG F PAN HD 10-24X.875L	22
9	052006	STR,STL--.062X.437X1.50 LONG	18
10	056938	CHANNEL,VINYL--BRUSH CVR,27,RT	1

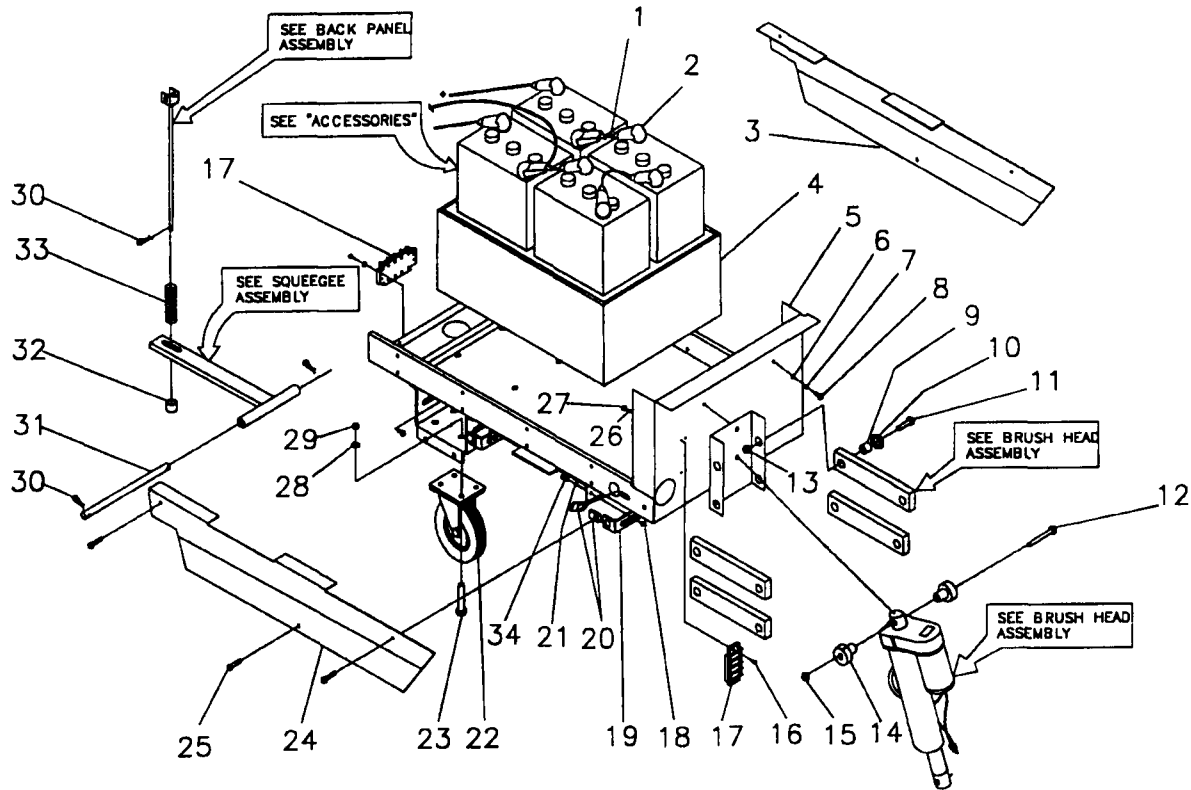
DET	PART NO.	DESCRIPTION	QTY
11	056936	GUARD,SPLASH--27 AUTO,RIGHT	1
12	035281	WDMT,BRUSH COVER--27 AUTO,RT	1
13	056673	WHEEL,BLACK--5" OD	1
14	056684	SPACER,STL--.500X17GA,1.50L,Z	1
15	056701	BRACKET,BUMPER WHEEL--27 AUTO	1
16	005536	SCR CAP SOC HD .375-16X2.00L	1
17	002357	SCR MACH PAN HD .250-20X.625L	2
18	001288	SCR MACH FLT HD 10-24X.500L	2

AVAILABLE ASSEMBLIES

035283
035284

ASM, BRUSH COVER, RIGHT--INCLUDES ITEMS 1-11
ASM, BRUSH COVER, LEFT--INCLUDES ITEMS 9-18

KA-27SS FRAME ASSEMBLY

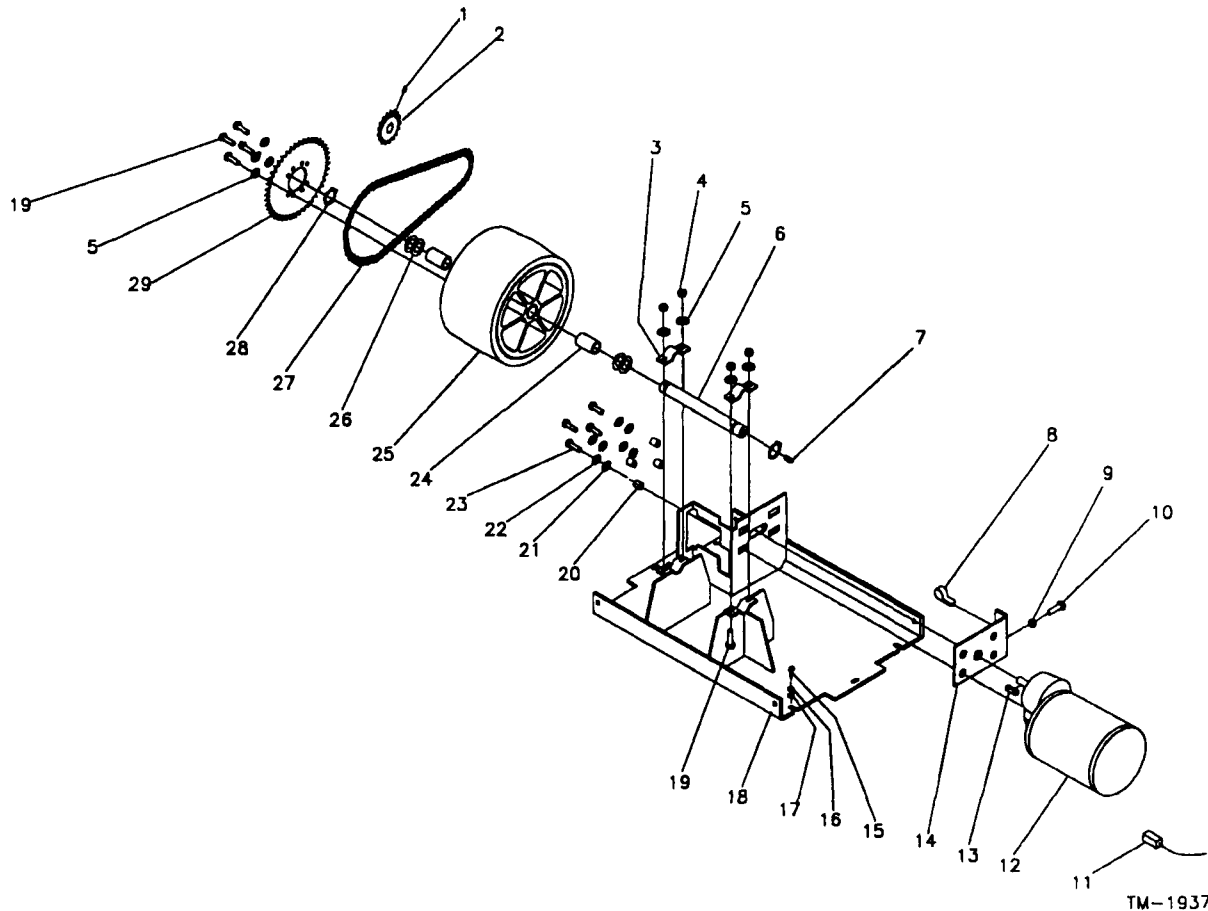


TM-1935

DET	PART NO.	DESCRIPTION	QTY
1	025085	ASM,WIRE-- 6GA,BLK,10.2L,RINGS	3
2	054186	BOOT,INSULATOR--BATT TERMINALS	8
3	056717	SKIRT,LOWER--27 AUTO,LEFT	1
4	056727	BOX,BATT--MACH,27 AUTO	1
5	035277	WDMT--UPPER CHASSIS,27"	1
6	005526	WSHR FLT .281ID1.25OD.063T STL	2
7	004254	WSHR LK .267ID.510OD.028T EXT	2
8	223218	SCR CAP HEX HD .250-20X.625L	2
9	056473	SPACER,STL--.531X.750, .218L,Z	4
10	004238	WSHR FLT .531ID1.00OD.071T STL	4
11	003270	SCR CAP HEX HD .500-13X1.25L	4
12	003267	SCR CAP HEX HD .375-16X2.75L	1
13	003370	NUT,HEX LOCK--.500-13,ZN PLT	4
14	054502	BSHG,SLV--.377ID.498OB1.00FLNG	2
15	005279	NUT,HEX LOCK--.375-16,NYLOC	1
16	003279	NUT,HEX-- 10-24,ZN PLT	8
17	026111	TERMINAL BLOCK--4 TERM,50 AMP	2

DET	PART NO.	DESCRIPTION	QTY
18	003283	NUT,HEX--.250-20,ZN PLT	4
19	056715	BRACKET,STL--SKIRTS,27 AUTO	4
20	003429	NUT,SPEED,U--.250-20,.58X1.125	4
21	004254	WSHR LK .267ID.510OD.028T EXT	6
22	055658	CASTER,SWIVEL--5.0 DIA,700 LB	2
23	003262	SCR CAP HEX HD .375-16X1.00L	8
24	056716	SKIRT,LOWER--27 AUTO,RIGHT	1
25	002480	SCR MACH PAN HD .250-20X.625L	6
26	004253	WSHR LK .204ID.410OD.025T EXT	8
27	005457	SCR MACH PAN HD 10-24X1.00L	8
28	004214	WSHR LK .390ID.683OD.094TSPLT	8
29	003293	NUT,HEX--.375-16,ZN PLT	8
30	004352	PIN,LOCK--.125 DIA WIRE	3
31	056977	SHAFT,STL--.375 DIA,11.00L	1
32	056683	SPACER,STL--.391X.625, .500L,Z	1
33	056618	SPRING,COMP .845D 3.50L .100WD	1
34	002253	SCR CAP HEX HD .250-20X.750L	4

KA-27SS CHASSIS ASSEMBLY



DET	PART NO.	DESCRIPTION	QTY
1	002234	SCR SET CUP PT .250-20X.500L	1
2	G741122	SPRKT,CHAIN-#40,.50P,11T,.75B	1
3	056327	CLAMP,AXLE-BLACK	2
4	003349	NUT,HEX--.312-18,ZN PLT	4
5	004212	WSHR LK .326ID.586OD.078TSPLT	8
6	056258	AXLE-1.00 DIA X 9-5/16"L	1
7	054330	ZERK,GREASE--.250-28 THREAD	1
8	003429	NUT,SPEED,U--.250-20,.58X1.125	1
9	222226	NUT,HEX JAM--.250-20,ZN PLT	1
10	002454	SCR CAP HEX HD .250-20X1.50L	1
11	039276	BRUSH,MTR-FOR 024372&027153	4
12	026191	MTR,DC-24V,.50HP,320RPM	1
13	045815	KEY,SQUARE--.250 SQ,.875 LONG	1
14	057833-05	BRACKET,TENSION-TRAC DRV,BLK	1
15	003259	SCR CAP HEX HD .375-16X.625L	4

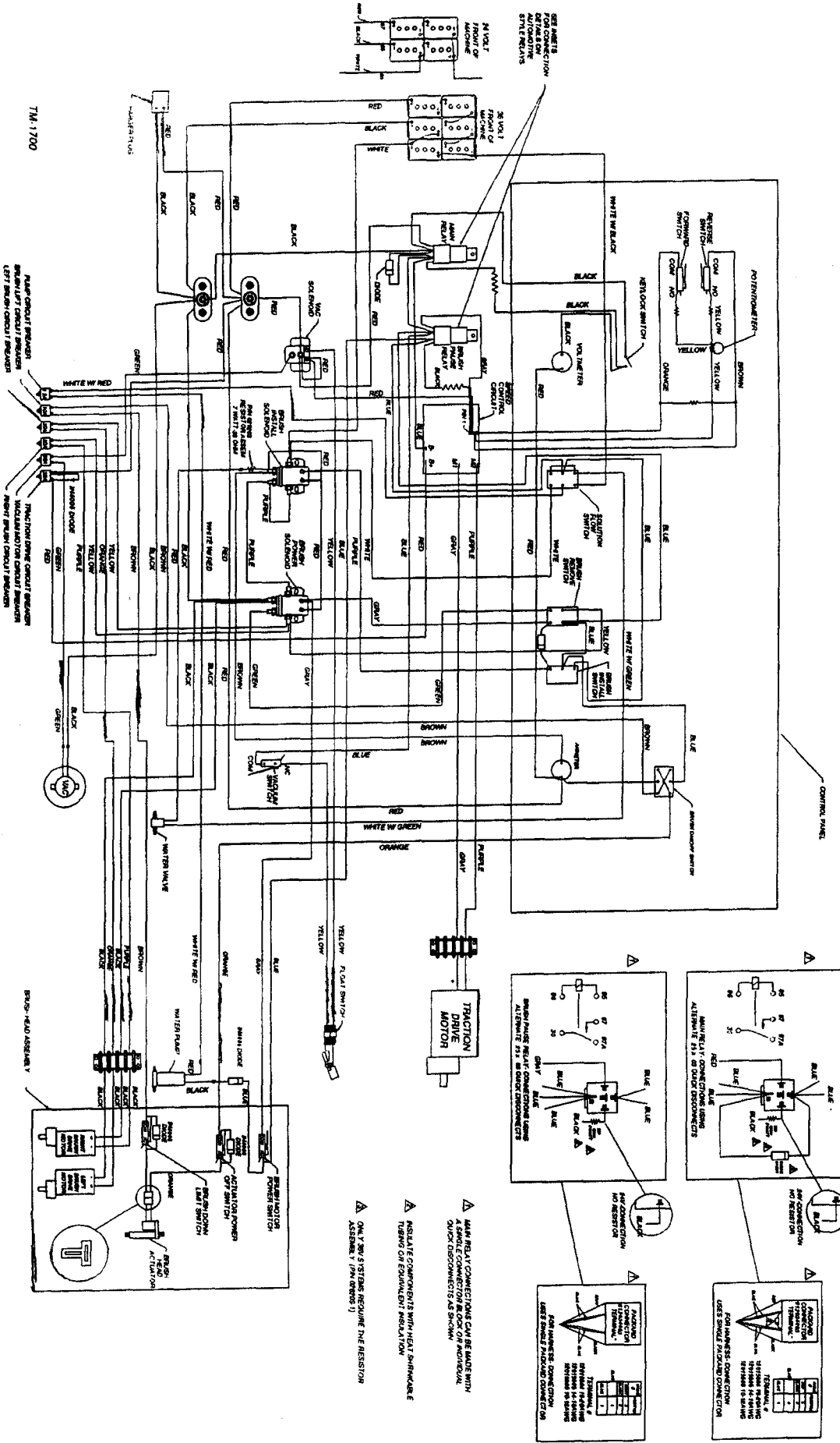
DET	PART NO.	DESCRIPTION	QTY
16	004215	WSHR LK .398ID.694OD.040T EXT	4
17	005320	WSHR FLT .406ID.750OD.060T STL	4
18	035612-05	WDMT,BASE-24V MTR&WHEEL,AUTO	1
19	003244	SCR CAP HEX HD .312-18X.750L	8
20	050974	SPACER,STL--.281X.500,.41 LG	4
21	004462	WSHR FLT .250ID1.00OD.062T STL	4
22	002278	WSHR LK .262ID.489OD.062TSPLT	4
23	002454	SCR CAP HEX HD .250-20X1.50L	4
24	027130	BEARING,SLEEVE--1"ID,1.25"OD	2
25	035097	ASM,WHEEL--10"OD,AUTO'S	1
26	004330	WSHR FLT 1.05ID1.50OD.036T STL	4
27	057899	CHAIN,ROLLER-#40,67LK & CONN	1
28	048537	RING,RTNG-EXT,.984 SHAFT,5160	2
29	051376	SPROCKET,CHAIN-#40,.500P,44T	1

AVAILABLE ASSEMBLIES

035609-1

ASM, LOWER CHASSIS--INCLUDES ITEMS 1-31

WIRING DIAGRAM



AUTOMOTIVE STYLE RELAY CONNECTION DETAIL

TM-1700



KENT

The Kent Company
2310 Industrial Parkway
P.O. Box 1665
Elkhart, IN 46515, U.S.A.
Telephone: (800) 334-1083
(219) 293-8661
Fax (219) 295-8610