



## Electronic Service Manuals

This electronic document is provided as a service to our customers. We do not create the contents of the information contained in this document. Should you have detailed questions pertaining to the information contained in this document, you may contact Michco, or the manufacturer which provided the original information in this electronic deliverable. Michco's only part in this electronic deliverable was the electronic assembly process.

You may contact Michco through the following methods:  
Phone (517) 484-9312 or (800) 331-3339 MI, OH, IN only  
2011 N. High St. -- Lansing, Michigan -- 48906  
Fax: (517) 484-9836  
Email: [CustServ@Michco.com](mailto:CustServ@Michco.com)  
Web site: [www.Michco.Com](http://www.Michco.Com)  
Parts Web site: [www.FloorMachineParts.Com](http://www.FloorMachineParts.Com)

Order Parts on Line at:  
**[www.FloorMachineParts.Com](http://www.FloorMachineParts.Com)**

Directly to Parts & Service:  
By Email: **[Shop@Michco.com](mailto:Shop@Michco.com)**  
By Fax: (517) 702-2041  
By Voice: Use numbers above.

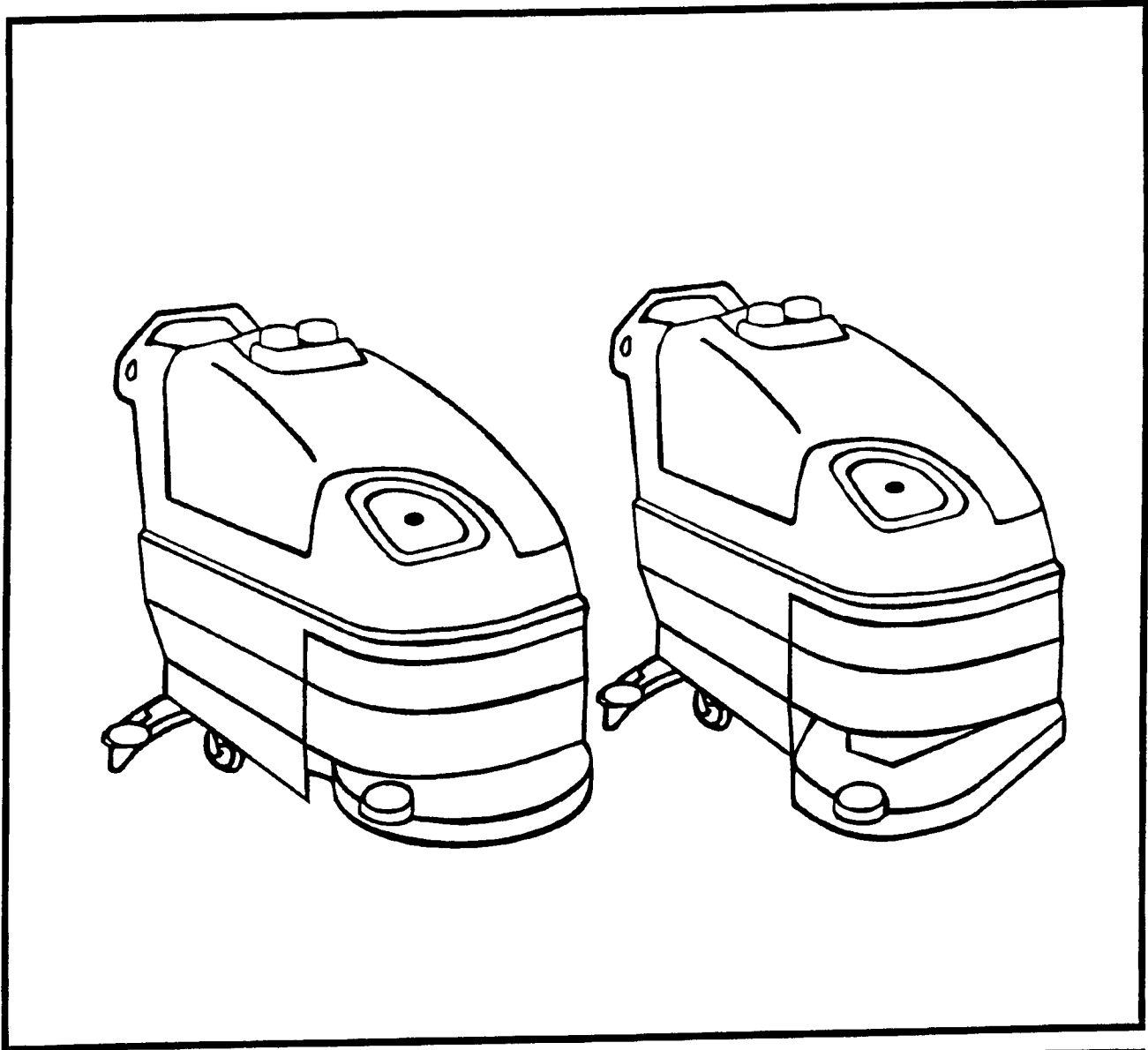
**Serving the Cleaning Industry Since 1922**

Notice: All copyrighted material remains property of original owners, all trademarks are property of respective owners. Manuals are subject to Manufacturer's reproduction limitations. Originals or reproductions were provided by manufacturers through a request. We make no warranty as to the correctness of information provided in this document and you assume all risk.



**KENT**

**PARTS**



**KA-20B**  
**KA-20BT**  
**KA-26BT**

Spare Parts List

## TABLE OF CONTENTS

TANK ASSEMBLY.....	2-3
CONTROL ASSEMBLY.....	4-5
CONTROL PANEL ASSEMBLY.....	6-7
CHASSIS ASSEMBLY.....	8-9
20" MACHINE BRUSH HEAD ASSEMBLY.....	10-11
26" MACHINE BRUSH HEAD ASSEMBLY.....	12-13
SQUEEGEE ASSEMBLY.....	14-15
ELECTRICAL PANEL ASSEMBLY.....	16-17
WIRING DIAGRAM FOR BRUSH ASSIST MACHINES.....	18
WIRING DIAGRAM FOR TRACTION DRIVE MACHINES.....	19
BATTERY WIRING FOR 4 (6V) OR 2 (12V) CONFIGURATION.....	20

### RECOMMENDED SPARE PARTS

Recommended spare parts should be ordered and stocked to avoid possible downtime in case of failure, breakage, or normal wear.

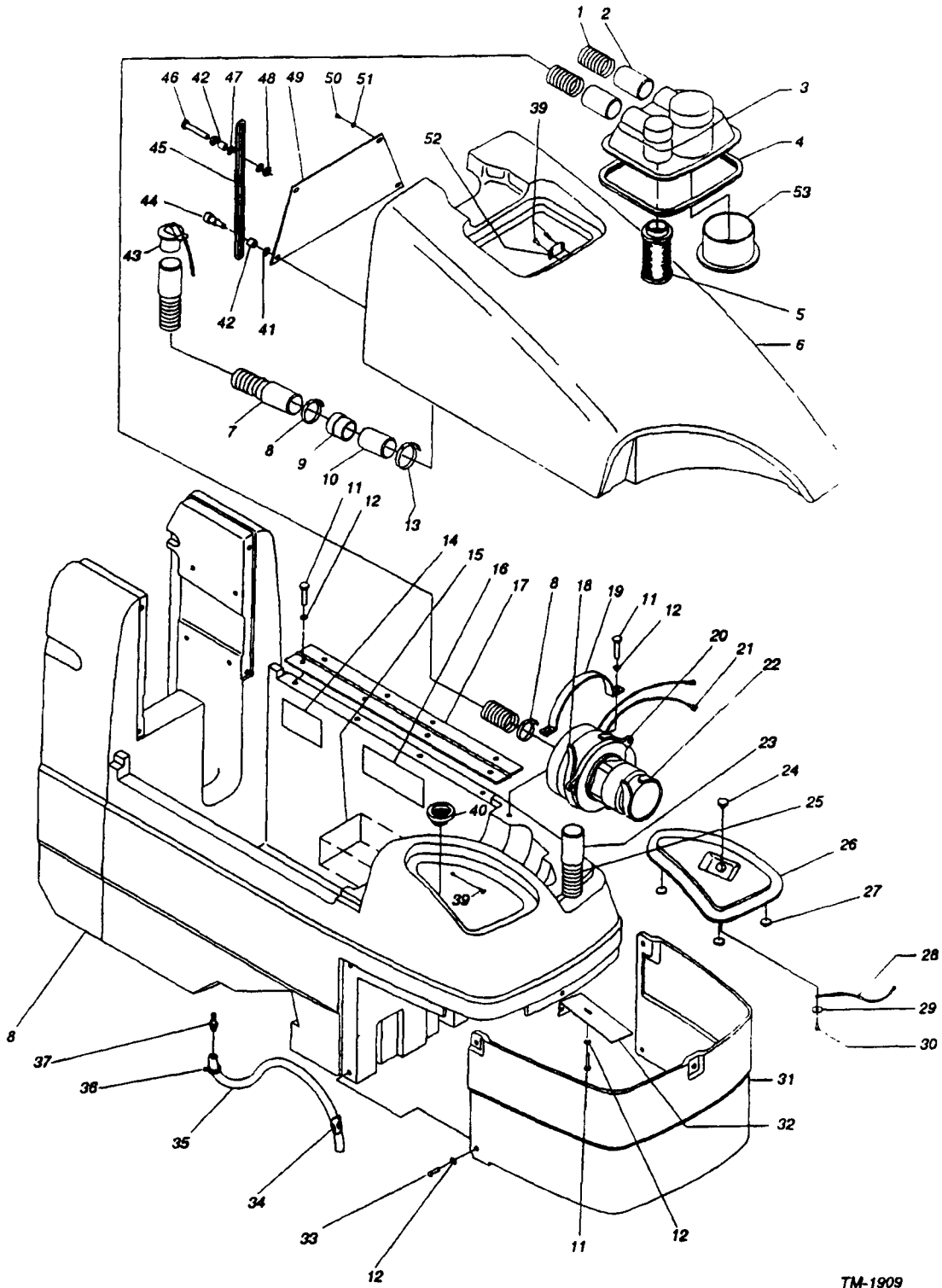
## 20" MACHINE

## 26" MACHINE

DET	PART NO.	DESCRIPTION	QTY
1	057243	KEY,AUTOMATICS--FOR P/N 026584	1
2	057901	FILTER,SCREEN--2 00 OD,20 MESH	1
3	057915	GUARD,SPLASH--20IN AUTO,SLIT	1
4	054793	RUBBER,SQUEEGEE-FRONT,20 AUTO	1
5	054794	RUBBER,SQUEEGEE--REAR,20 AUTO	1
6	057935	KNOB,3-LOBE-- 38-16 INT THD	1

DET	PART NO.	DESCRIPTION	QTY
1	057243	KEY,AUTOMATICS--FOR P/N 026584	1
2	057901	FILTER,SCREEN--2 00 OD,20 MESH	1
3	057844	GUARD,SPLASH--26" AUTO,SLIT	1
4	054557	RUBBER,SQUEEGEE-- 125X1 75,33L	1
5	054558	RUBBER,SQUEEGEE-- 187X2 75,35L	1
6	057935	KNOB,3-LOBE-- 38-16 INT THD	1

# TANK ASSEMBLY



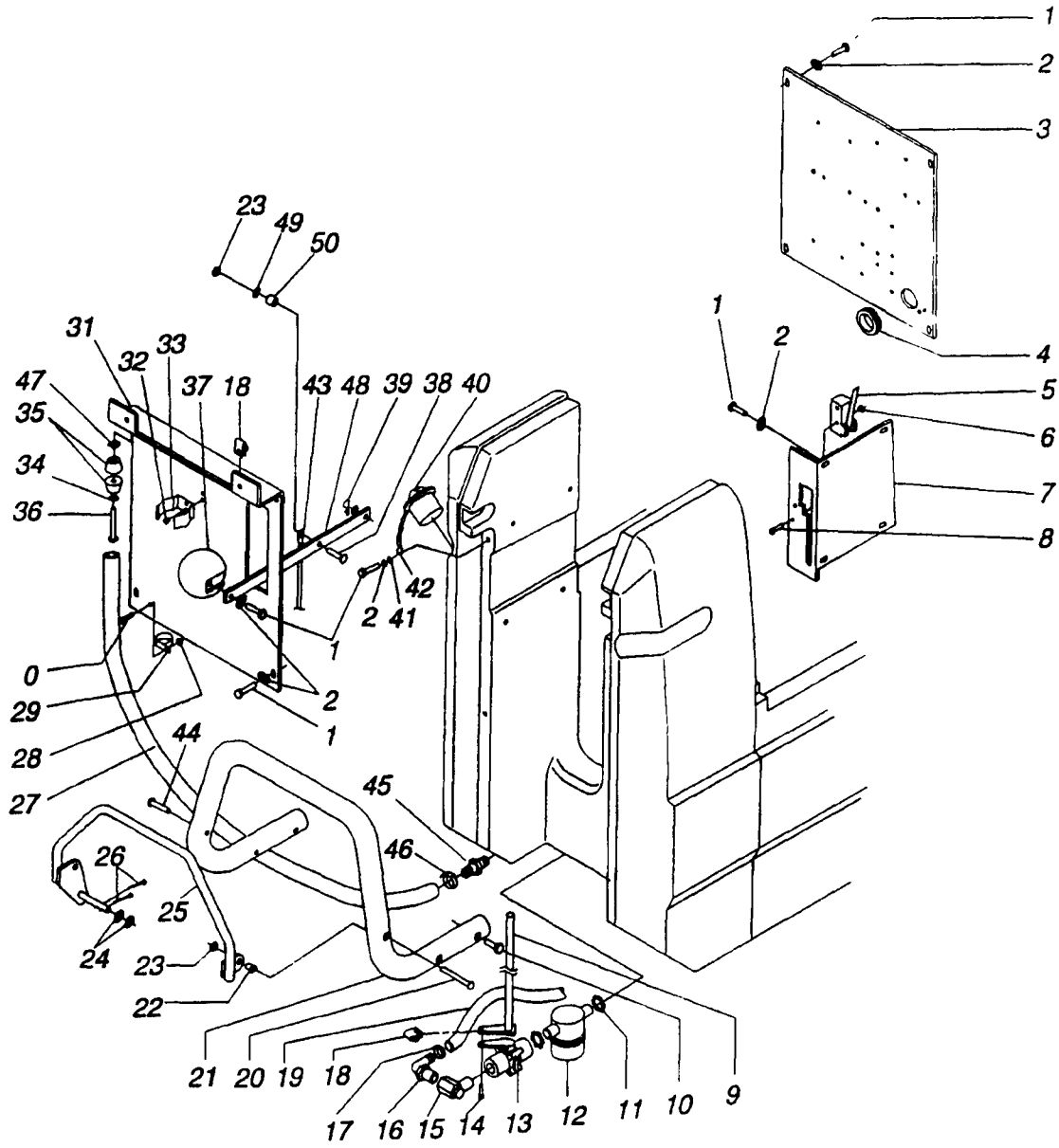
TM-1909

# TANK ASSEMBLY PARTS LIST

DET	PART NO.	DESCRIPTION	QTY
1	056792	HOSE,VAC--1 50DIA,BLK,25 OOL	2
2	055989	CUFF,HOSE--1 5,BLACK	2
3	056378	COVER,REC TANK--EXTR LID	1
4	057890	GASKET-- 375X 375X36 OOL	1
5	057689	FLOAT,BALL--1 50 DIA W/FILTER	1
6	057808	TANK,RECOVERY--20/26,MACHINED	1
7	035610	ASM,HOSE--1 50ID,40 OL,SEALED	1
8	046688	CLAMP,HOSE--1 75 MAX DIA,WORM	2
9	053894	FITTING--REDUCER,1 66-1 50,PLS	1
10	056675	TUBE,PVC--AUTO	1
11	005477	SCR TPG F WSH HD 250-20X 625L	7
12	004254	WSHR LK 267ID 510OD 028T EXT	12
13	049999	CLAMP,HOSE--2 25 MAX DIA,WORM	1
14	057750-7	LABEL--BATT WIRE,4X6V,SS20/26	1
15	057838	LABEL--WARNING,CHARGING BATT5	1
16	057750-8	LABEL--BATT WIRE,2X12V,SS20/26	1
17	056514	HINGE,BUTT--RS 056291,BLACK	1
18	057866	GASKET-- 375X1 00X18 OOL	1
19	057854-05	BRACKET,U--VAC MOTOR,BLACK	1
20	026047-1	MTR,VAC--24V,3-STG,TAN DIS,1 5	1
21	026240	TERM,QD--M, 25X 03,14-16,P,STR	2
22	057867	GASKET-- 375X1 00X 5 OOL	1
23	057916	CUFF,HOSE--RS 055989, 3 OOL	1
24	048022	KNOB,THUMB SCR--10-24,INT	1
25	057917	HOSE,VAC--1 50DIA,BLK,9 OOL,EX	1
26	057828	LID,TRIANGULAR--SOLUTION TANK	1
27	057859	GASKET,FOAM-- 750DIA , 125THK	3

DET	PART NO.	DESCRIPTION	QTY
28	053793	WIRE ROPE-- 062 DIA X 10 50L	1
29	E49039A	WSHR FLT 203ID 750OD 048T SS	1
30	005627	SCR MACH RD HD 10-24 X 50,SS	1
31	057809	COVER,FRONT--20/26,MACHINED	1
32	057904-05	BRACKET ANGLE--16GA EXH HOSE	1
33	002480	SCR MACH PAN HD 250 20X 625L	5
34	057913	CLAMP PINCH-- 500DIA MAX TUBE	1
35	057918	TUBE,VINYL-- 375X 500 26 OOL	1
36	051581	CLAMP HOSE-- 625 MAX DIA WORM	1
37	051207	ADPTR,PP-HS-- 1/2MPTX3/8HS,PLS	1
38	057807	TANK,SOLUTION--20/26,MACHINED	1
39	002382	SCR TPG F PAN HD 10-10X 500L	3
40	057901	FILTER,SCREEN--2 00 OD,20 MESH	1
41	004206	WSHR FLT 281ID 562OD 063T STL	1
42	046309	SPACER,PHEN-- 250X 500, 500L	2
43	057852	PLUG,EXPANSION--1 50DIA,W/CHAI	1
44	002509	SCR SHLDR SOC HD 250X 75SHLDR	1
45	057508-02	BAR,STL--11GA W/SLOT PLATED	1
46	002477	SCR CAP HEX HD 25 20X1 50L SS	1
47	004462	WSHR FLT 250ID1 00OD 062T STL	2
48	005479	NUT,HEX LOCK-- 250-20 NYLOC ZN	2
49	057860-05	PANEL,STL-- 065X5 92X10 51,BLK	1
50	002366	SCR MACH PAN HD 10-24X 312L	3
51	004253	WSHR LK 204ID 410OD 025T EXT	3
52	057938	CLIP,LID--RECOVERY TANK,16 GA	1
53	057946	FITTING,SPINWELD--3 50IDX2 50L	1

# CONTROLS ASSEMBLY



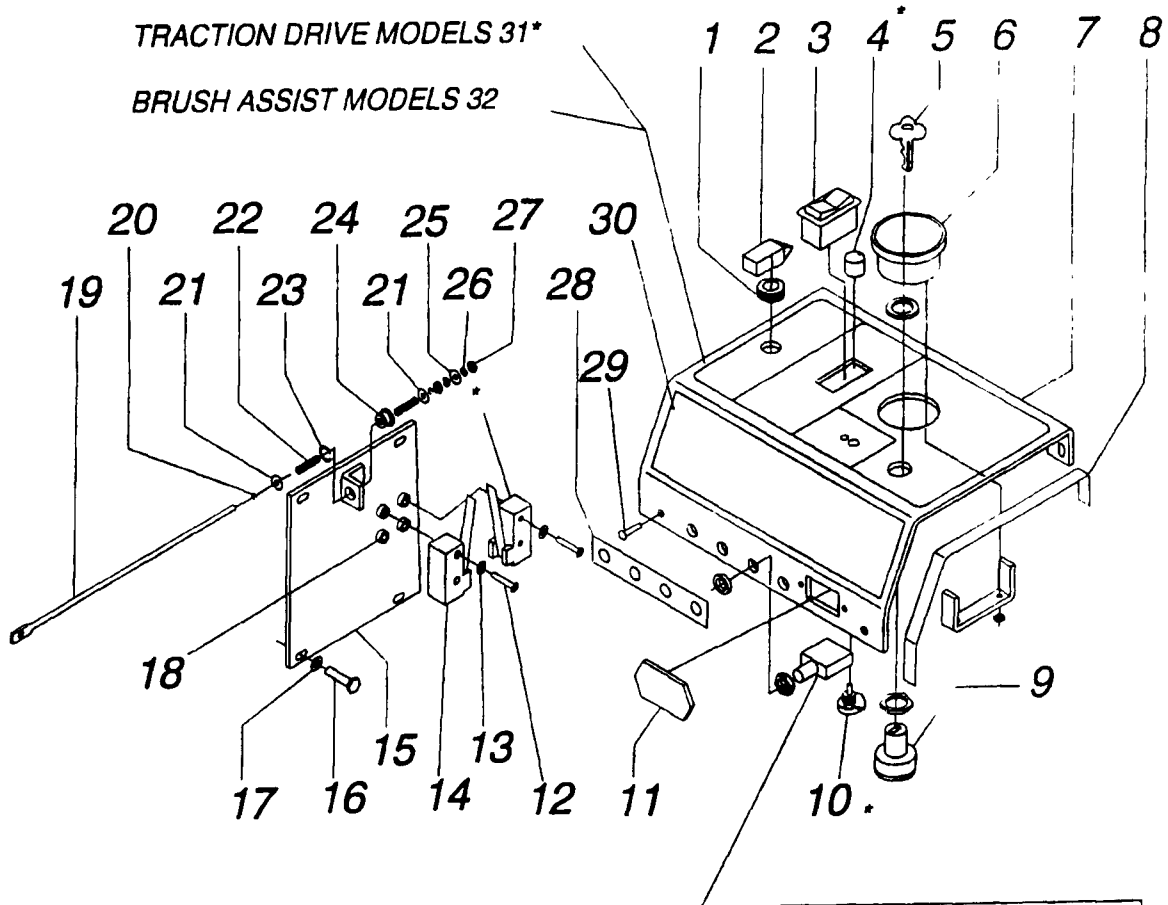
TM-1910

# CONTROL ASSEMBLY PARTS LIST

DET	PART NO.	DESCRIPTION	QTY
1	005477	SCR TPG F WSH HD 250-20X 625L	12
2	004254	WSHR LK 267ID 5100D 028T EXT	9
3	057804-05	PANEL,STL--16GA,12 50X11 84BLK	1
4	049927	GROM--1 00ID,1 25MHD, 062PA	1
5	026603	SWITCH,LVR--SPDT,20A,125-250V	1
6	003361	NUT,HEX LOCK-- 6-32,NYLOC	2
7	035603-05	WDMT,SQUEEGE LOCK--20/26,BLACK	1
8	001248	SCR MACH RD HD 6-32X1 00L	2
9	035597-02	WDMT,SHAFT--WATER VALVE,PLATED	1
10	002454	SCR CAP HEX HD 250-20X1 50L	4
11	006108	NUT,LOCK-- 50 IPT,CONDUIT	2
12	053133	FILTER,WATER--IN-LINE STRAINER	1
13	057830	VALVE,BALL--1/2FPTX1/2FPT,PVC	1
14	005478	SCR MACH RD HD 250-20X 500L	1
15	055071	ELBOW,STREET--1/2MPT X 1/2FPT	1
16	056231	ELBOW,PLSTC--1/2 MPTX1/2HS	1
17	051117	CLAMP,HOSE-- 875 MAX DIA,WORM	1
18	003429	NUT,SPEED,U-- 250-20, 58X1 125	3
19	056234	TUBE,VINYL-- 500X 750X43"L	1
20	002271	SCR MACH RD HD-- 250-20X1 75L	1
21	057939-05	HANDLE,FIXED--1 25 DIA,BLACK	1
22	027224	BRG,FLANGE-- 250IDX 375ODX 37W	2
23	005479	NUT,HEX LOCK-- 250-20,NYLOC,ZN	3
24	005320	WSHR FLT 406ID 7500D 060T STL	2
25	035598-05	WDMT,SQUEEZE BAR--20/26,BLACK	1

DET	PART NO.	DESCRIPTION	QTY
26	005383	PIN,COTTER-- 094X1 000 LONG	2
27	057919	TUBE,VINYL-- 750X1 00,34 00L	1
28	005480	NUT,HEX LOCK-- 10-24,NYLOC	1
29	056903	CLAMP,LOOP-- 500 CLOSED ID NYL	1
30	005456	SCR MACH PAN HD 10-24X 500L	1
31	057840-05	PANEL,STL--BACK,BLACK	1
32	005587	RIVET,POP-- 125DIA, 188MAX G R	2
33	057843	CLIP,SPRING--1 75 DIA BLACK	1
34	004527	WSHR,FLT 203ID, 5000D STL BLK	1
35	057903	STOPPER,RUBBER-- 781 DIA	2
36	002358	SCR MACH PAN HD 10-32X2 25L	1
37	057391	HANDLE,BALL--ALUM,2 125 DIA	1
38	002254	SCR CAP HEX HD 250-20X 875L	1
39	004352	PIN,LOCK-- 125 DIA WIRE	1
40	057852	PLUG,EXPANSION--1 50DIA,W/CHAI	1
41	005433	WSHR FLT 281ID 7500D 120T STL	1
42	051836	HOOK,8-- 105 WIRE 312 EYES	1
43	057810	WIRE ROPE-- 125X27 75L	1
44	005380	SCR MACH RD HD 250-20X2 00L	1
45	057868	ADPTR,PP-HS--1/2MPTX3/4HS PLS	1
46	049932	CLAMP,HOSE--1 00 MAX DIA,WORM	1
47	003441	NUT,SPEED,U--10-32 51X060	1
48	057805-05	BAR,SQUEEGEE LIFT--BLACK	1
49	004462	WSHR FLT 250ID1 000D 062T STL	1
50	054335	SPACER,STL-- 257IDX 437ODX 19L	1

# CONTROL PANEL ASSEMBLY



<b>CIRCUIT BREAKER</b>				
MODEL	TRACTION DRIVE	VACUUM	BRUSH 1	BRUSH 2
20* BRUSH ASSIST	--	026198	026888	--
20* TRACTION DRIVE	026198*	026198	026888	--
26* TRACTION DRIVE	026198*	026198	026198	026198

\* THESE COMPONENTS ON MODELS WITH TRACTION DRIVE ONLY

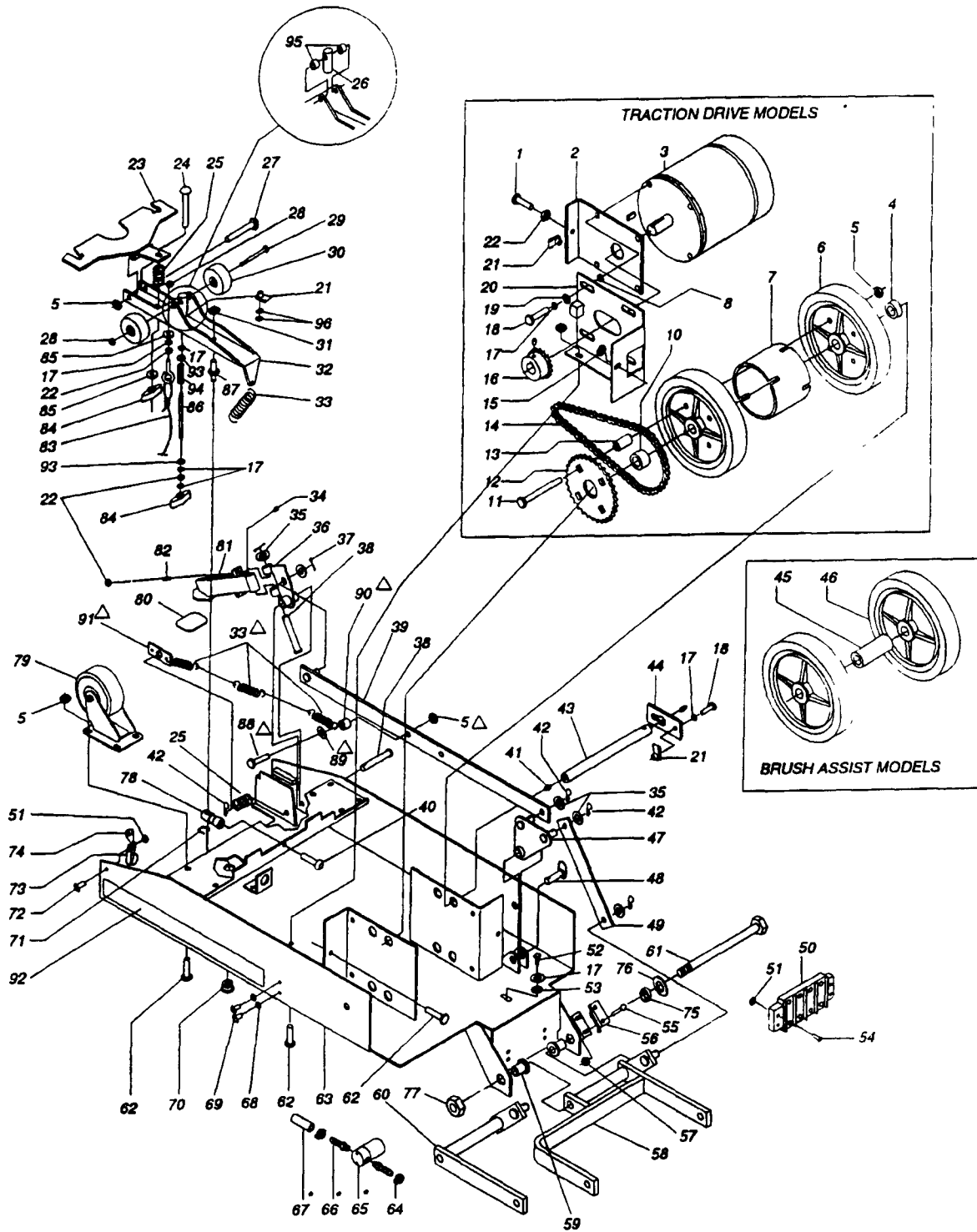
TM-1915

# CONTROL PANEL ASSEMBLY PARTS LIST

DET	PART NO.	DESCRIPTION	QTY
1	056190	GROM-- 375ID, 562MHD, 062PA	1
2	057831	KNOB,PLSTC-- 250 SHAFT, POINTER	1
3	026129	SWITCH,RKR--DPST, OFF/ON(ON)	1
4	056596	KNOB,PLASTIC--BLACK, 92DIA X 95	1
5	057243	KEY,AUTOMATICS--FOR P/N 026584	1
6	026135	VOLTMETER--18-30 VDC,ROUND	1
7	057835-05	PANEL,STL--INSTRUMENT,PAINTED	1
8	057310	GASKET-- 125x 500,12 75L	2
9	026584	STARTER-SWITCH-LOCKING	1
10	026243	POTENTIOMETER ASSEMBLY	1
11	G721255	PAD,FOOT PEDAL--	1
12	001248	SCR MACH RD HD 6-32X1 00L	2
13	004249	WSHR LK 150ID 320OD 022T EXT	2
14	026603	SWITCH,LVR--SPDT, 20A, 125-250V	1
15	035599-05	WDMT,SWITCH BRACKET--20/26,BLK	1
16	005477	SCR TPG F WSH HD 250-20X 625L	4
17	004254	WSHR LK 267ID 510OD 028T EXT	4

DET	PART NO.	DESCRIPTION	QTY
18	046425	SPACER.PHEN-- 250X 437 250L	2
19	057829	RD,STL--CENTERING PLATED	1
20	E49900	RING,RTNG--EXT 312 SHAFT 5304	2
21	004221	WSHR FLT 344ID1 00OD 036T STL	2
22	056961	SPRING,COMP 48OD 2 25L 045WD	2
23	054136	RING,RTNG--EXT, 75SHAFT, 062	1
24	057764	BUSHING,GUIDE-- 875DIA,0 53L	1
25	004427	WSHR FLT 344ID1 25OD 120T STL	1
26	004444	WSHR LK 332ID 610OD 034T EXT	2
27	003356	NUT,HEX JAM-- 312-18,ZN PLT	2
28	057871	LABEL--CIRCUIT BREAKER,20/26	1
29	002480	SCR MACH PAN HD 250-20X 625L	2
30	057836	LABEL--WARNING,AUTOMATICS	1
31	057839	LABEL--INSTR PANEL 20/26.W/TRA	1
32	057896	LABEL--INSTR PANEL 20/26 W/O T	1

# CHASSIS ASSEMBLY



\* PARTS ON TRACTION DRIVE UNITS ONLY

△ PARTS USED ON 26" (66cm) MODELS ONLY

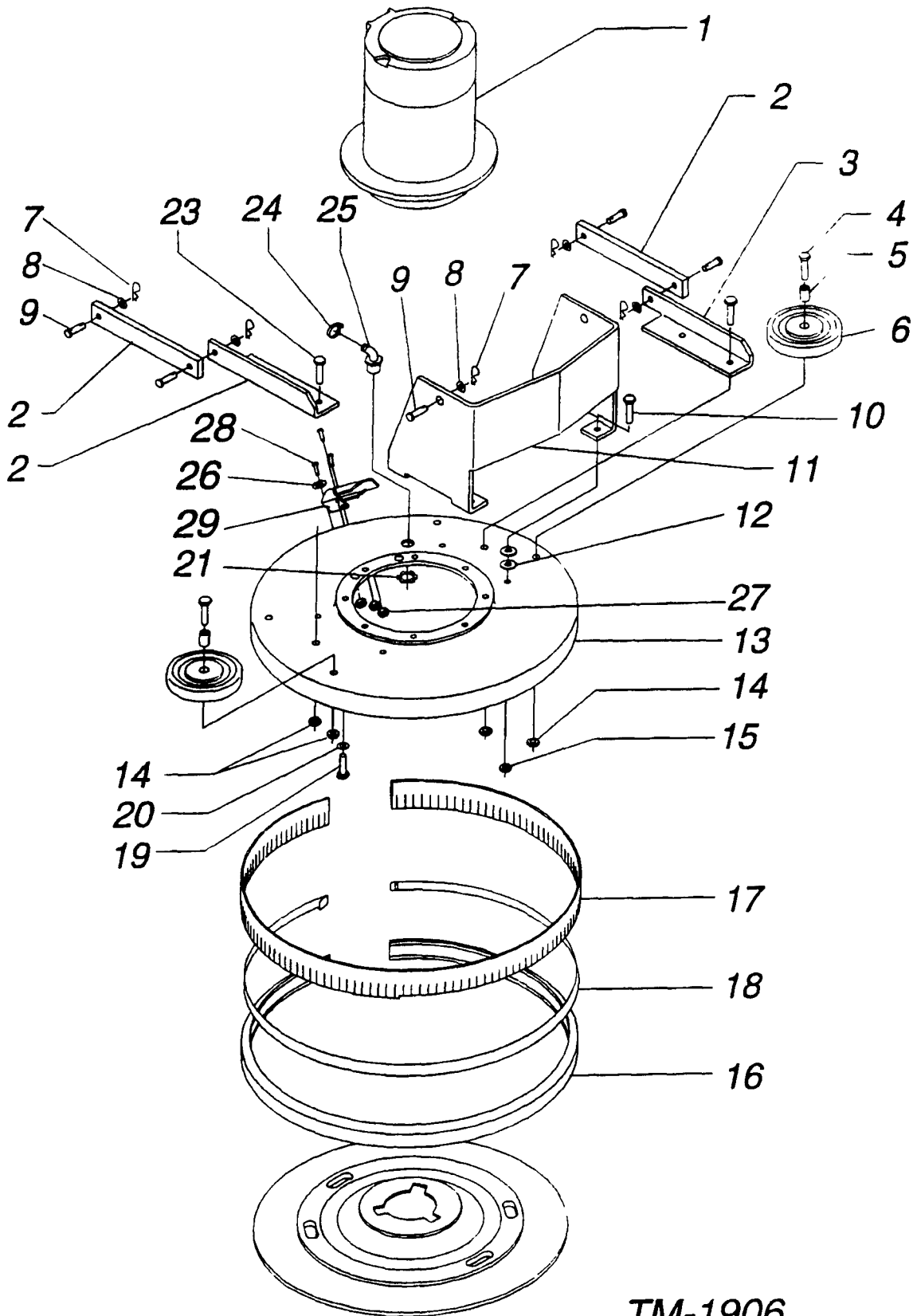
TM-1908

# CHASSIS ASSEMBLY PARTS LIST

DET	PART NO.	DESCRIPTION	QTY
1	002454	SCR CAP HEX HD 250-20X1 50L	1
2	057833-05	BRACKET,TENSION-TRAC DRV,BLK	1
3	026191	MTR,DC--24V, 50HP,320RPM	1
4	057886	SPACER,NYL-- 780X1 25X 500L	1
5	005279	NUT,HEX LOCK-- 375-16,NYLOC	1
6	057863	WHEEL-RS 057853 W/4 HOLES	2
7	057834	SPACER,DRIVE WHEEL-PVC	1
8	050974	SPACER,STL-- 281X 500, 41 LG	4
10	057885	SPACER,NYL-- 780X1 25X 777L	1
11	005640	BOLT,SQ NECK-- 375-16X6 00L	4
12	057862	SPROCKET--#40,32T,W/4 HOLES	1
13	051646	SPACER,STL-- 375X 750, 750L	4
14	057865	CHAIN,ROLLER--#40, 55LK & CONN	1
15	003472	NUT,HEX LOCK-- 312-18,NYLOC	3
16	G741122	SPRKT,CHAIN--#40, 50P,11T, 75B	1
17	004254	WSHR LK 267ID 510OD 028T EXT	5
18	002253	SCR CAP HEX HD 250-20X 750L	5
19	004462	WSHR FLT 250ID1 00OD 062T STL	4
20	035602-05	WDMT,BRACKET--DRV,20/26,BLACK	1
21	003429	NUT,SPEED,U-- 250-20, 58X1 125	3
22	222226	NUT,HEX JAM-- 250-20,ZN PLT	3
23	035596-05	WDMT,SQUEEGE BRKT--20/26,BLACK	1
24	005641	BOLT,SQ NECK-- 250-20X2 50L,FT	1
25	056519	SPRING,COMP 845D 1 50L .100WD	2
26	057914	SPACER,ALUM-- 250X 500,W/HOLE	1
27	003268	SCR CAP HEX HD 375-16X3 00L	1
28	005479	NUT,HEX LOCK-- 250-20,NYLOC,ZN	2
29	002508	SCR CAP HEX HD 250-20X4 50L	1
30	053689	WHEEL,2 00DIA, 25BORE, 984HB	2
31	003327	NUT,HEX LOCK-- 375-24,NYLOC	1
32	057817-05	BAR,SQUEEGEE--20/26 AUTO,BLACK	1
33	051136	SPRING,EXT 750D 2 92L 104WD	1
34	057842	PLUG,BUTTON-- 437 MTG HOLE,BLK	1
35	004238	WSHR FLT 531ID1 00OD 071T STL	8
36	035590-05	WDMT,PIVOT--FOOT PEDAL,BLACK	1
37	005200	PIN,COTTER-- 125X1 000 LONG	2
38	G696700	PIN,CLEVIS-- 500DIA,3 50 LONG	2
39	035595-05	WDMT,LIFT BAR--25 75L,BLACK	1
40	002384	SCR MACH HEX HD 375-24X 750L	1
41	054330	ZERK,GREASE-- 250-28 THREAD	2
42	004352	PIN,LOCK-- 125 DIA WIRE	4
43	057760	RD,STL-- 750DIA,8 50L,PLATED	1
44	057763-05	BAR,STL--7 GA,1 50 X 3 38,BLK	1
45	057851	SPACER,NYL-- 780X1 25X3 21L	1
46	057853	WHEEL--8 00DIA, 750BORE,1 81HB	2
47	035589-05	WDMT,LINKAGE--TRIANGULAR,BLACK	1
48	004357	PIN,QUICK RLSE-- 500 DIA,1 00L	1
49	057771-05	BAR,STL-- 375X1 25X 8 44L,BLK	1

DET	PART NO.	DESCRIPTION	QTY
50	026111	TERMINAL BLOCK--4 TERM,50 AMP	1
51	005480	NUT,HEX LOCK-- 10-24,NYLOC	3
52	223218	SCR CAP HEX HD 250-20X 625L	3
53	004208	WSHR FLT 281ID 500OD 036T STL	3
54	005457	SCR MACH PAN HD 10-24X1 00L	2
55	001248	SCR MACH RD HD 6-32X1 00L	2
56	026886	SWITCH PUSH--SPDT 20A 125-250V	1
57	003361	NUT,HEX LOCK-- 6-32,NYLOC	2
58	035588-05	WDMT,BRUSH LIFT--20IN AUTO,BLK	1
59	027131	BRG,FLANGE-- 500ID 750OD 500W	2
60	035587-05	WDMT,BRUSH LIFT--26IN AUTO BLK	1
61	002510	SCR CAP HEX HD 500-13X8 00L	1
62	002340	BOLT,SQ NECK-- 312-18X 750L	11
63	035586-05	WDMT,FRAME--20/26 AUTOS,BLACK	1
64	051117	CLAMP,HOSE-- 875 MAX DIA,WORM	2
65	027145	VALVE,SOLENOID--24V	1
66	006142	ADPTR,PP-HS--3/8MPTX1/2HS BRS	2
67	048819	TUBE,VINYL-- 500X 750 18 00L	1
68	004253	WSHR LK 204ID 410OD 025T EXT	2
69	005609	SCR MACH PAN HD 10-32X 5,BLK	2
70	057764	BUSHING,GUIDE-- 875DIA,0 53L	1
71	054136	RING,RTNG--EXT, 75SHAFT, 062	1
72	001327	SCR MACH PAN HD 10-24X 750L	1
73	046642	CLAMP,LOOP-- 875DIA,VINYL COAT	1
74	046425	SPACER,PHEN-- 250X 437, 250L	1
75	054581	SPACER,STL-- 760X1 00, 250LD	1
76	004238	WSHR FLT 531ID1 00OD 071T STL	1
77	003370	NUT,HEX LOCK-- 500-13,ZN PLT	1
78	049473	BALL JOINT BODY	1
79	057820	CASTER--3 50 DIA PLATE STYLE	2
80	G721255	PAD FOOT PEDAL--	1
81	035594-05	WDMT,FOOT PEDAL -BRUSH LIFT	1
82	002369	SCR SET CUP PT 250-20X1 00L	1
83	057810	WIRE ROPE-- 125X27 75L	1
84	057883	KNOB,WING-- 250-20,BLACK,NYLON	2
85	005433	WSHR FLT 281ID 750OD 120T STL	2
86	057945	STUD-- 250-20X 4 00L	1
87	048953	BALL JOINT	1
88	003265	SCR CAP HEX HD 375-16X1 50L	1
89	006320	WSHR FLT 406ID 750OD 060T STL	1
90	049343	SPACER,STL-- 375X 500, 437L,Z	1
91	057944	PLATE,SS--2 25X1 00	1
92	057898-1	LABEL--SELECTSCRUB 20 1 5X16 5	2
93	004369	WSHR SHLDR 250ID 562OD 120T NY	2
94	056483	SPRING,COMP 540D 1 50L 054WD	1
95	052225	SPACER,PHEN-- 250X 500, 562L	2
96	004384	WSHR FLT 406ID 875OD 064T STL	2

# 20" MACHINE BRUSH HEAD ASSEMBLY



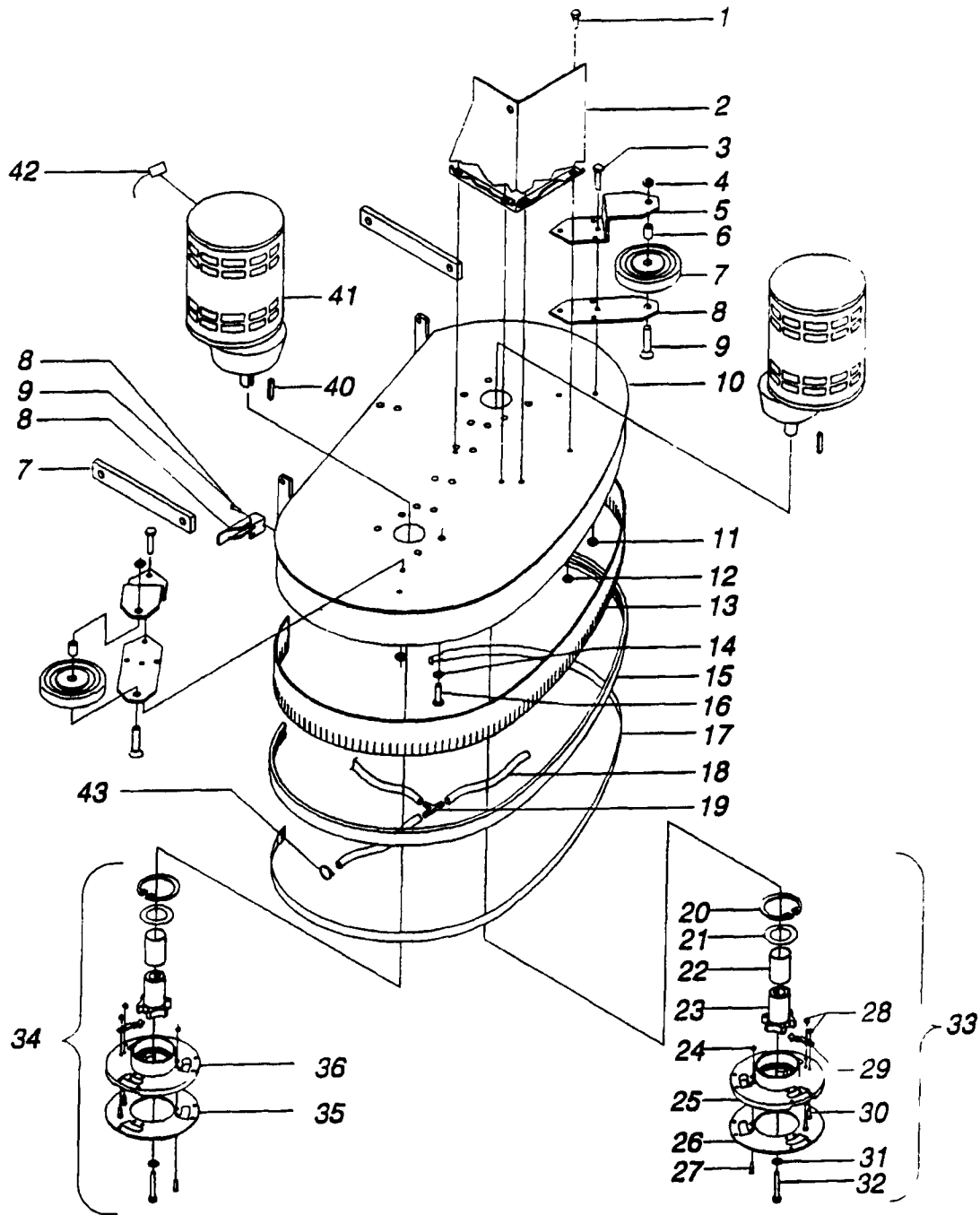
TM-1906

# 20" MACHINE BRUSH HEAD ASM. PARTS LIST

DET	PART NO.	DESCRIPTION	QTY
1	026242	MTR,GRC--24VDC,1.0HP,11:1	1
2	056254	BAR,STL--.375X1.25,9.00L	2
3	057761-05	BRACKET,ANGLE--BR HD,LEFT,BLK	1
4	002324	SCR CAP HEX HD .375-16X1.75L	2
5	054018	SPACER,STL--.385X.500X1.187L	2
6	111639	WHEEL--4.00DIA.,.505BORE,1.12HB	2
7	004352	PIN,LOCK--.125 DIA WIRE	6
8	004238	WSHR FLT .531ID1.000D.071T STL	6
9	005639	PIN,CLEVIS--.500X0.91 LONG	6
10	003249	SCR CAP HEX HD .312-18X1.25L	4
11	057743-05	BRACKET,U--BRUSH HEAD,20IN,BLK	1
12	004221	WSHR FLT .344ID1.000D.036T STL	12
13	057934-05	COVER,BRUSH--20" AUTO,STL,BLACK	1
14	003368	NUT,HEX LOCK--.375-16,ZN PLT	2
15	003472	NUT,HEX LOCK--.312-18,NYLOC	4

DET	PART NO.	DESCRIPTION	QTY
16	057874-2	EXTRUSION,BUMPER--BLACK,56.50L	1
17	057915	GUARD,SPLASH--20IN AUTO,SLIT	1
18	035617	WDMT,STRAP--CLAMP,SPLASH GUARD	1
19	003244	SCR CAP HEX HD 312-18X 750L	4
20	004444	WSHR LK 332ID 6100D 034T EXT	4
21	006108	NUT,LOCK--.50 IPT,CONDUIT	1
22	057762-05	BRACKET,ANGLE--BR HD,RIGHT,BLK	1
23	003228	SCR CAP HEX HD 375-16X.875L	4
24	051117	CLAMP,HOSE--.875 MAX DIA,WORM	1
25	056231	ELBOW,PLSTC--1/2 MPTX1 1/2HS	1
26	005433	WSHR FLT .281ID.7500D.120T STL	1
27	003415	NUT,HEX LOCK--.8-32,NYLOC,ZN	3
28	002402	SCR MACH PAN HD 8-32X.375L	3
29	057864	LATCH,DRAW--ADJ,STEEL,HEAVY	1

# 26" MACHINE BRUSH HEAD ASSEMBLY



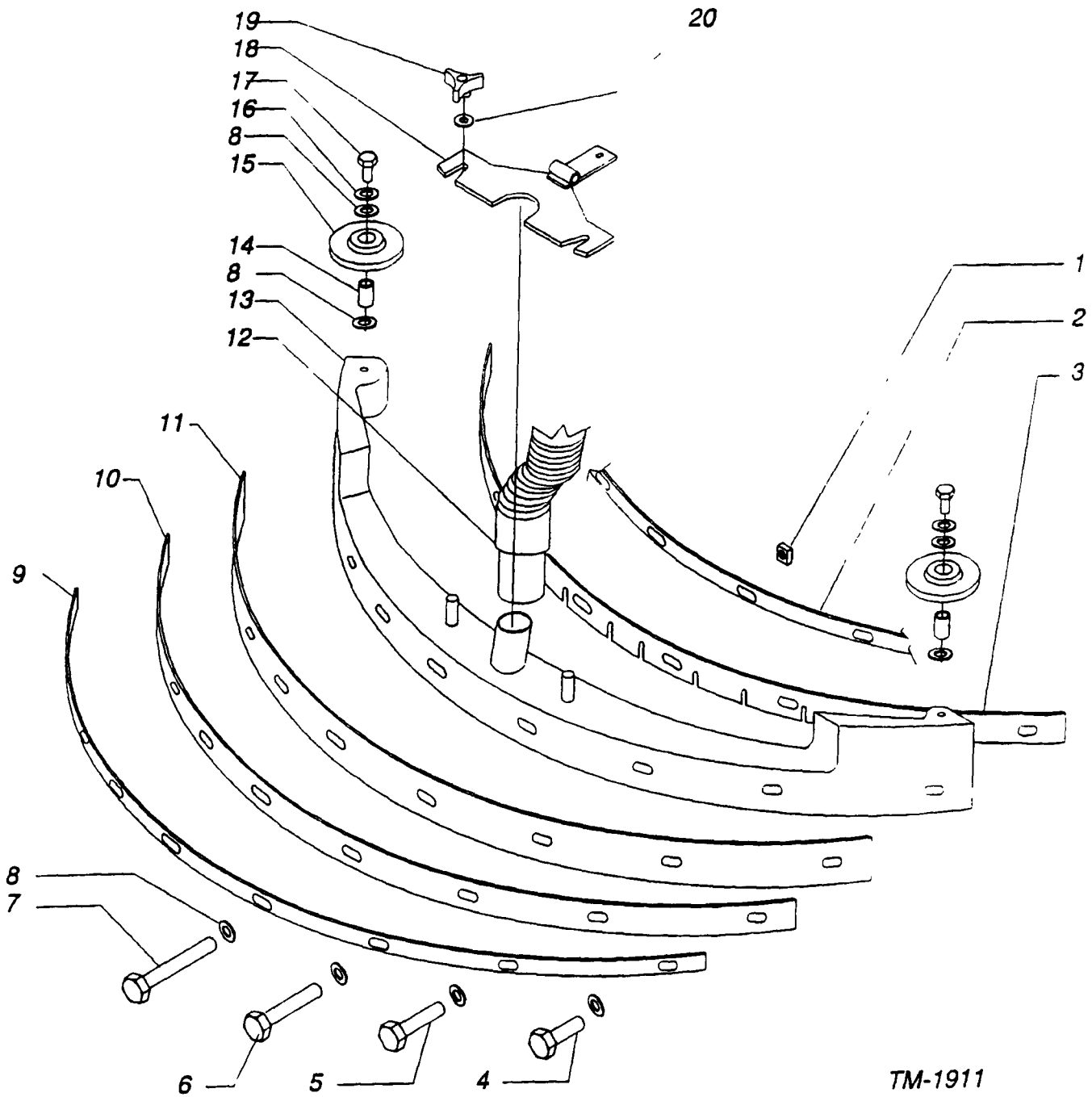
TM-1907

# 26" MACHINE BRUSH HEAD ASM. PARTS LIST

DET	PART NO.	DESCRIPTION	QTY
1	002340	BOLT,SQ NECK- 312-18X 750L	4
2	057845-05	BRACKET,STL--BRUSH LIFT 26,BLK	1
3	002253	SCR CAP HEX HD 250-20X 750L	4
4	003368	NUT,HEX LOCK-- 375-16 ZN PLT	2
5	057850-05	PLATE,STL--11GA,3 00X7 02L BLK	2
6	054018	SPACER,STL-- 385X 500X1 187L	2
7	111639	WHEEL--4 00DIA, 505BORE,1 12HB	2
8	057873-05	PLATE,STL--7GA,3 00X5 87L,BLK	2
9	005415	SCR MACH FLT HD 375-16X2 00L	2
10	039640-05	WDMT, BRUSH HD--26 AUTO,STL,BLK	1
11	005479	NUT,HEX LOCK-- 250-20,NYLOC,ZN	4
12	003472	NUT,HEX LOCK-- 312-18,NYLOC	4
13	057844	GUARD,SPLASH--26" AUTO,SLIT	1
14	004214	WSHR LK 390ID 683OD 094TSPLT	8
15	057874-1	EXTRUSION,BUMPER--BLACK,48 50L	1
16	003262	SCR CAP HEX HD 375-16X1 00L	8
17	057849-05	STRAP,CLAMPING--SPLASH GRD,GAL	1
18	057869	TUBE,VINYL-- 500X 750, 5 38L	2
19	048606	TEE,HOSE--1/2X1/2X1/2,PLSTC	1
20	004529	RING,RTNG--INT,2 375 BORE	2
21	004548	WSHR FLT 1 770ID2 342OD 078T	2
22	056464	TUBE,SS--1 500D,16GA,1 937L	2

DET	PART NO.	DESCRIPTION	QTY
23	056445	SHAFT DRIVE--BRUSH AUTOS	2
24	222224	NUT,HEX LOCK - 10-24 ZN PLT	2
25	056446	HUB,DRIVE--BRUSH AUTOS LEFT	1
26	057160	PLATE,SS--BRUSH MTG RING LEFT	1
27	002473	SCR MACH FLT HD 10-24X 875L	4
28	003361	NUT,HEX LOCK-- 6-32,NYLOC	6
29	057046	CLIP,RETAINING--BRUSH LUG,27	2
30	001515	SCR MACH PAN HD 6-32X 500L	4
31	005358	WSHR LK-- 326ID 586OD 078T SPL	2
32	002499	SCR CAP SOC HD 312-18X1 50L	2
33	035367	ASM,DRIVE HUB--AUTO,20GA,CLP,L	1
34	035366	ASM,DRIVE HUB--AUTO,20GA CLP,R	1
35	057159	PLATE,SS--BRUSH MTG RING,RIGHT	1
36	056447	HUB,DRIVE--BRUSH AUTOS RIGHT	1
37	057771-05	BAR STL-- 375X1 25X 8 44L BLK	2
38	057864	LATCH,DRAW--ADJ STEEL HEAVY	1
39	223186	SCR MACH PAN HD 6-32X 375L	2
40	057663	KEY,SQUARE-- 250 SQ 1 437 LONG	2
41	024439	ASM,MTR&GEAR UNIT--24V,W/RINGS	2
42	039276	BRUSH,MTR--FOR 024372&027153	4
43	047085	CABLE,TIE--6 0L,NYLON	5

# SQUEEGEE ASSEMBLY



TM-1911

# 20" MACHINE SQUEEGEE ASSEMBLY PARTS LIST

DET	PART NO.	DESCRIPTION	QTY
1	005591	NUT,SELF RETAINING-- 250-20	8
2	054796	BAR,STL-- 125X1 00,26 15L,FRON	1
3	054793	RUBBER,SQUEEGEE-FRONT,20 AUTO	1
4	002454	SCR CAP HEX HD 250-20X1 50L	2
5	002455	SCR CAP HEX HD 250-20X2 50L	2
6	002456	SCR CAP HEX HD 250-20X3 00L	2
7	001500	SCR CAP HEX HD 250-20X3 50L	2
8	004218	WSHR FLT 344ID 750OD 060T STL	12
9	054797	BAR,STL-- 125X1 00,28 41L,REAR	1
10	054795	RUBBER SQUEEGEE--BACKUP,20 AUT	1

DET	PART NO.	DESCRIPTION	QTY
11	054794	RUBBER,SQUEEGEE--REAR,20 AUTO	1
12	055989	CUFF,HOSE--1 5 BLACK	1
13	054790	CASTING,SQUEEGEE--20 AUTO	1
14	053699	SPACER,STL-- 312X 437 43L	2
15	053720	WHEEL--4 00DIA 438BORE 688HB	2
16	004212	WSHR LK 326ID 586OD 078TSPLT	2
17	003246	SCR CAP HEX HD 312-18X1 00L	2
18	035596-05	WDMT,SQUEEGE BRKT--20/26 BLACK	1
19	057935	KNOB,3-LOBE-- 38-16 INT THD	2

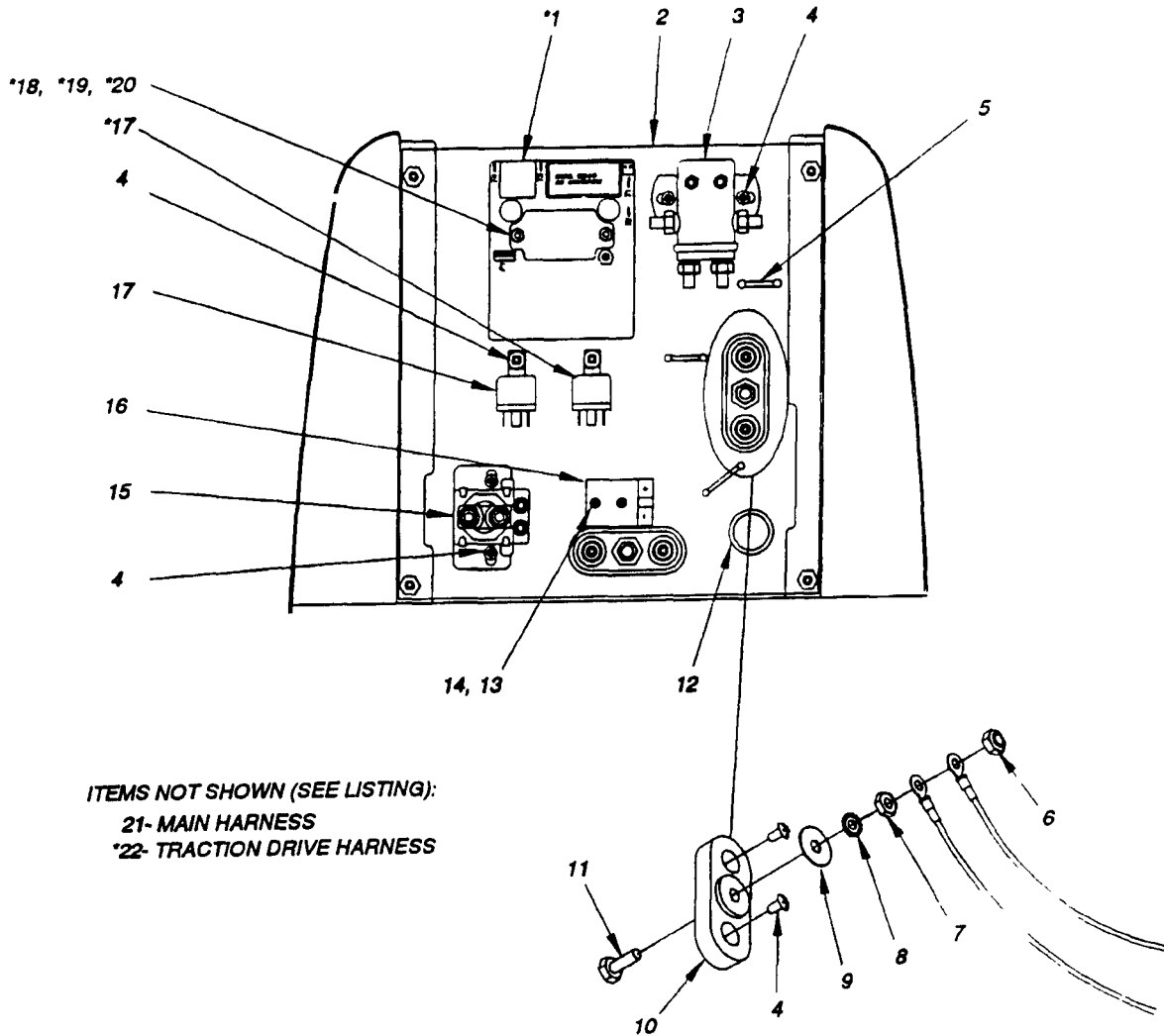
# 26" MACHINE SQUEEGEE ASSEMBLY PARTS LIST

DET	PART NO.	DESCRIPTION	QTY
1	005591	NUT,SELF RETAINING-- 250-20	8
2	054556	BAR,STL-- 125X1 00,31 31 LONG	1
3	054557	RUBBER,SQUEEGEE-- 125X1 75,33L	1
4	002454	SCR CAP HEX HD 250-20X1 50L	2
5	002455	SCR CAP HEX HD 250-20X2 50L	2
6	002456	SCR CAP HEX HD 250-20X3 00L	2
7	001500	SCR CAP HEX HD 250-20X3 50L	2
8	004218	WSHR FLT 344ID 750OD 060T STL	12
9	054560	BAR,STL-- 125X1 00,34 14 LONG	1
10	054559	RUBBER,BACKUP-- 125X2 00,34 4L	1

DET	PART NO.	DESCRIPTION	QTY
11	054558	RUBBER,SQUEEGEE-- 187X2 75 35L	1
12	055989	CUFF,HOSE--1 5 BLACK	1
13	054554	CASTING,SQUEEGEE -26 AUTO HV	1
14	053699	SPACER,STL-- 312X 437 43L	2
15	053720	WHEEL--4 00DIA 438BORE, 688HB	2
16	004212	WSHR LK 326ID 586OD 078TSPLT	2
17	003246	SCR CAP HEX HD 312-18X1 00L	2
18	035596-05	WDMT,SQUEEGE BRKT--20/26,BLACK	1
19	057935	KNOB,3-LOBE-- 38-16 INT THD	2

# ELECTRICAL PANEL ASSEMBLY

## ELECTRICAL PANEL



ITEMS NOT SHOWN (SEE LISTING):  
\*21- MAIN HARNESS  
\*22- TRACTION DRIVE HARNESS

\* THESE COMPONENTS ON UNITS WITH TRACTION DRIVE ONLY

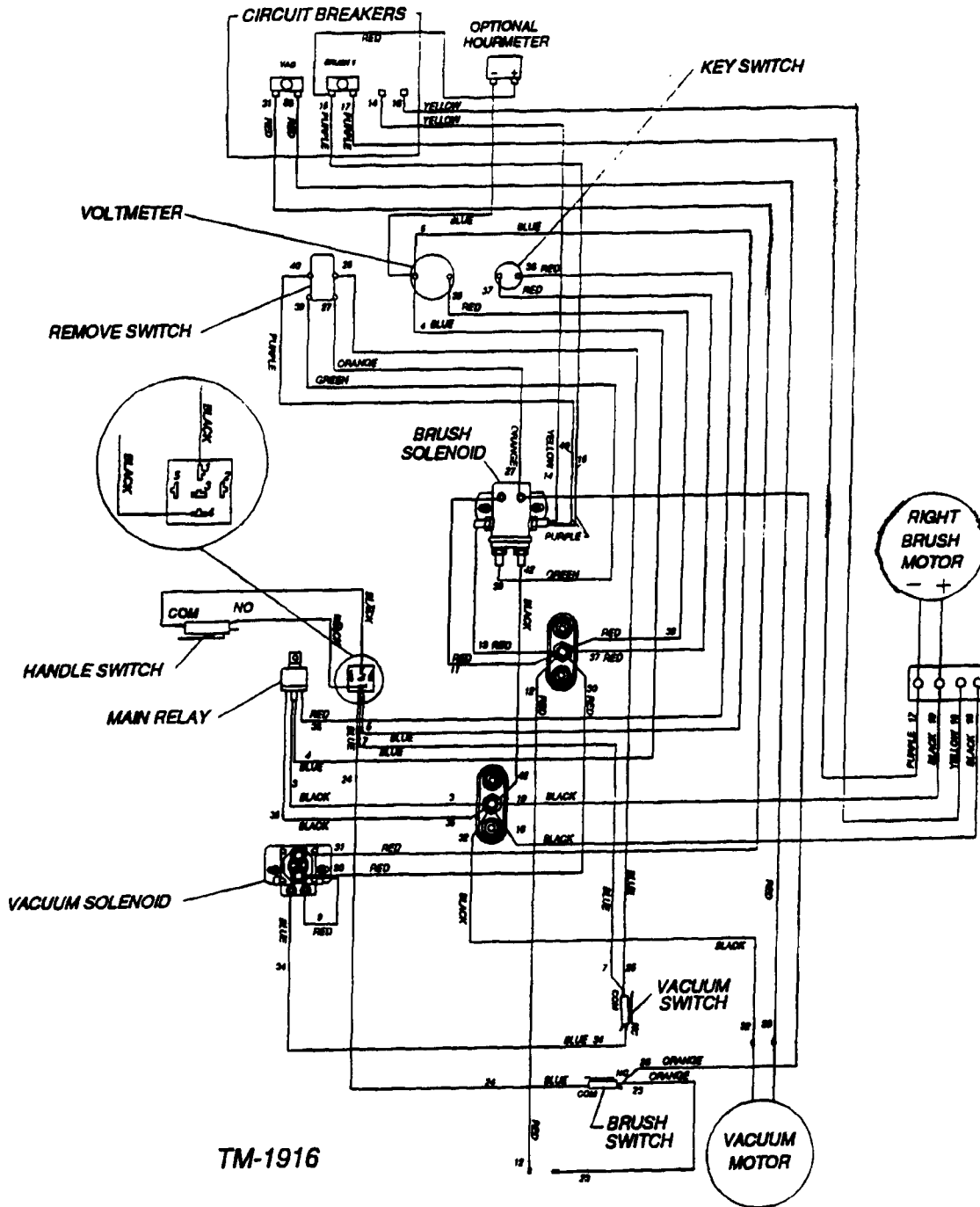
TM-1913

# ELECTRICAL PANEL ASSEMBLY PARTS LIST

DET	PART NO.	DESCRIPTION	QTY
1	026133	CONTROL-DC,AUTOS,CRTS,24V	1
2	057804-05	PANEL,STL-16GA,12 50X11 84BLK	1
3	026645	SOLENOID-24V	1
4	001514	SCR TPG F PAN HD 250-20X 375L	10
5	047085	CABLE,TIE-6 0L,NYLON	3
6	003472	NUT,HEX LOCK- 312-18,NYLOC	2
7	003356	NUT,HEX JAM- 312-18,ZN PLT	2
8	004444	WSHR LK 332ID 610OD 034T EXT	2
9	004221	WSHR FLT 344ID1 00OD 036T STL	2
10	057872	INSULATOR-MAIN TERMINAL	2
11	003249	SCR CAP HEX HD 312-18X1 25L	2

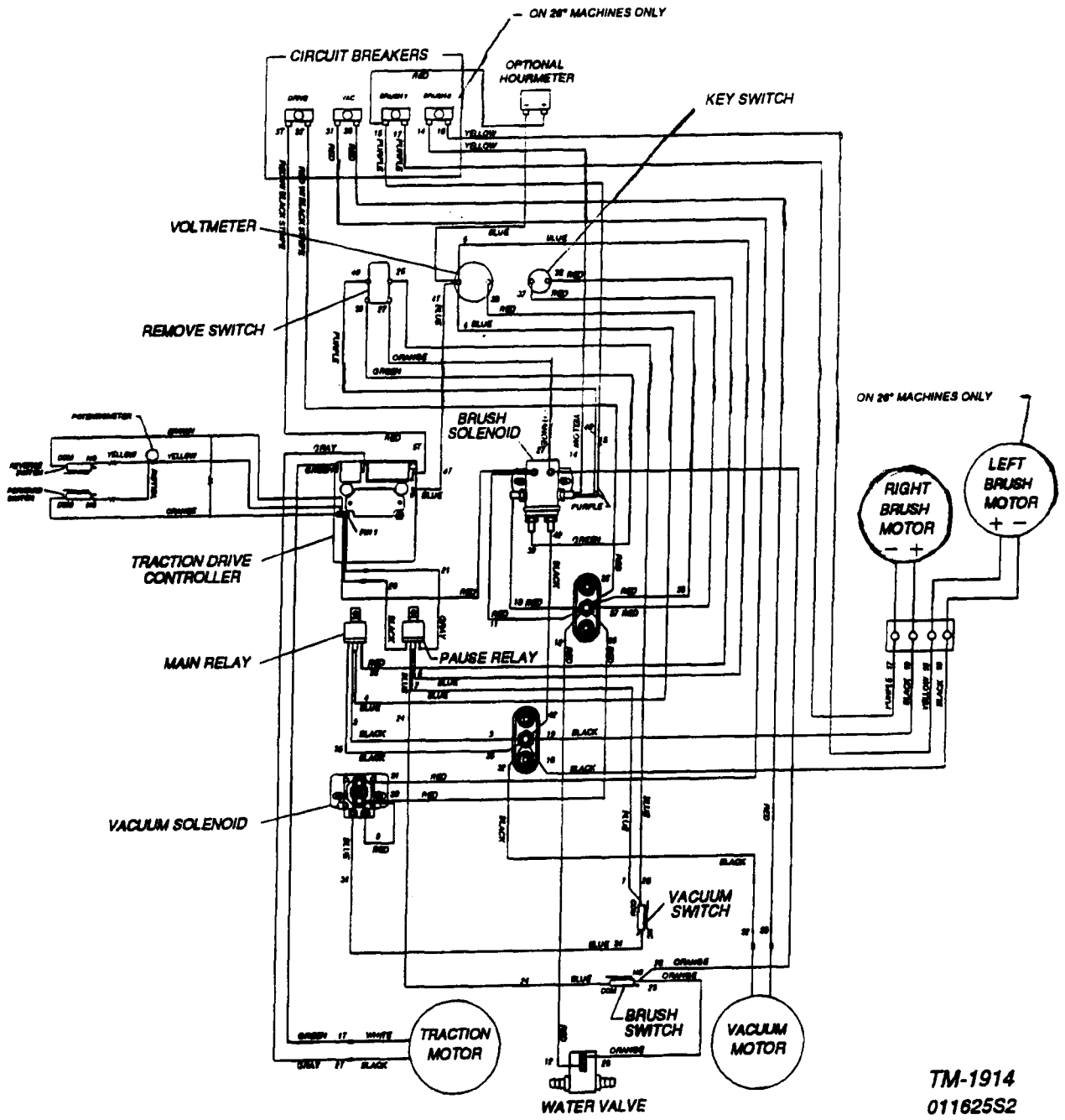
DET	PART NO.	DESCRIPTION	QTY
12	049927	GROM-1 00ID,1 25MHD 062PA	1
13	003361	NUT,HEX LOCK-- 6-32 NYLOC	4
14	001248	SCR MACH RD HD 6-32X1 00L	2
15	027165	SOLENOID-24V,SPST NORM OPEN	1
16	027240	ASM,CHARGER PLUG-2 CNDCT	1
17	026180	RELAY,POWER--24VDC 40/30A,SPDT	2
18	005410	SCR MACH RD HD 8-32X1 00L	2
19	057428	SPACER ALUM-- 187X 375 375L	2
20	003415	NUT,HEX LOCK-- 8-32 NYLOC ZN	2
21	026190	HARNESS,WIRE--MAIN 20/26	1
22	026244	HARNESS,WIRE--DRIVE KA-20/26	1

# WIRING DIAGRAM FOR MODELS WITH BRUSH ASSIST ONLY



TM-1916

# WIRING DIAGRAM FOR MODELS WITH TRACTION DRIVE







**KENT**

The Kent Company  
2310 Industrial Parkway  
P.O. Box 1665  
Elkhart, IN 46515, U.S.A.  
Telephone: (800) 334-1083  
(219) 293-8661  
Fax: (219) 295-8610