



Electronic Service Manuals

This electronic document is provided as a service to our customers. We do not create the contents of the information contained in this document. Should you have detailed questions pertaining to the information contained in this document, you may contact Michco, or the manufacturer which provided the original information in this electronic deliverable. Michco's only part in this electronic deliverable was the electronic assembly process. By providing this manual on line we are not guaranteeing parts availability.

You may contact Michco through the following methods:

Phone (517) 484-9312 or (800) 331-3339

2011 N. High St. -- Lansing, Michigan -- 48906

Fax: (517) 484-9836

Email: CustServe@Michco.com

Web site: www.Michco.Com

Parts Web site: www.FloorMachineParts.Com

Order Parts on Line at:

www.FloorMachineParts.Com

Directly to Parts & Service:

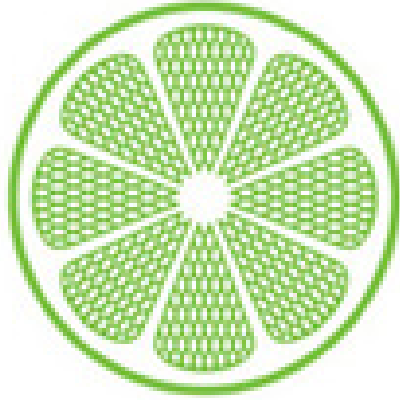
By Email: **Shop@Michco.com**

By Fax: (517) 702-2041

By Voice: Use numbers above.

Serving the Cleaning Industry Since 1922

Notice: All copyrighted material remains property of original owners, all trademarks are property of respective owners. Manuals are subject to Manufacturer's reproduction limitations. Originals or reproductions were provided by manufacturers through a request. We make no warranty as to the correctness of information provided in this document and you assume all risk. By placing these manuals on line we are not declaring our corporation to be an manufacturer authorized dealer or provider, please check our web site for authorized manufacturers we represent.



IPC Integrated Professional Cleaning

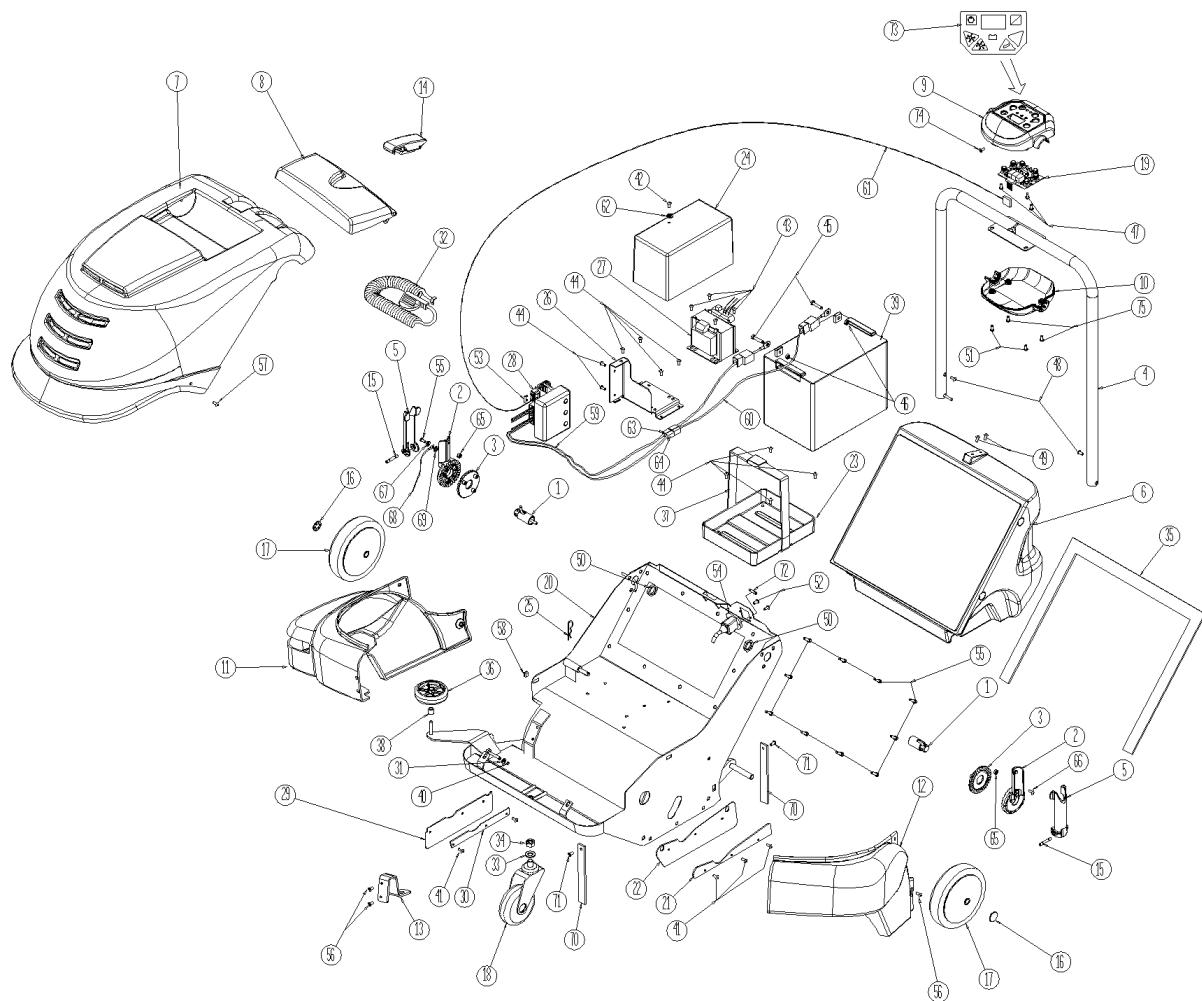
IPC Gansow

Spare Parts List

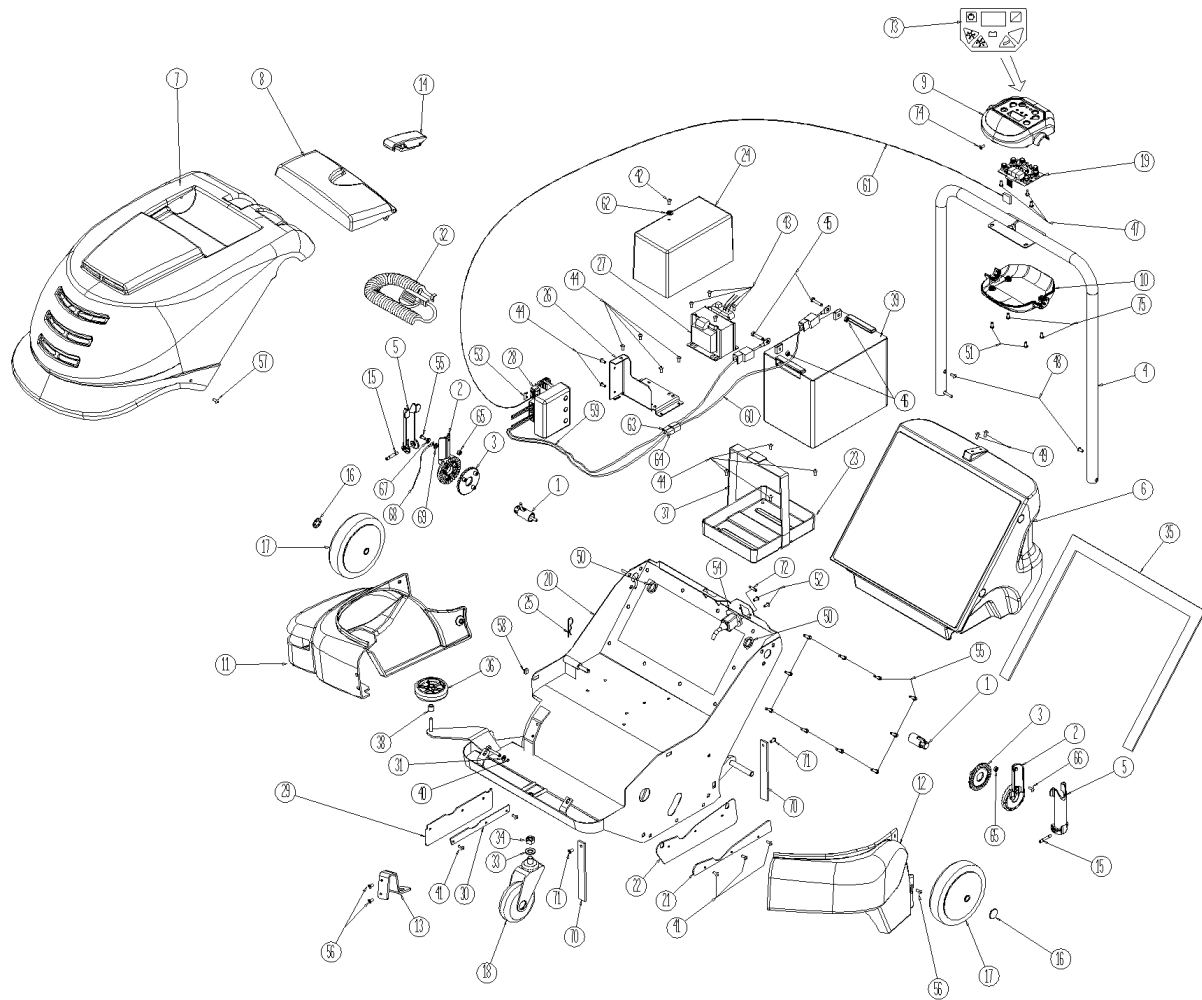
IPC EAGLE

Ref: MSUT00648

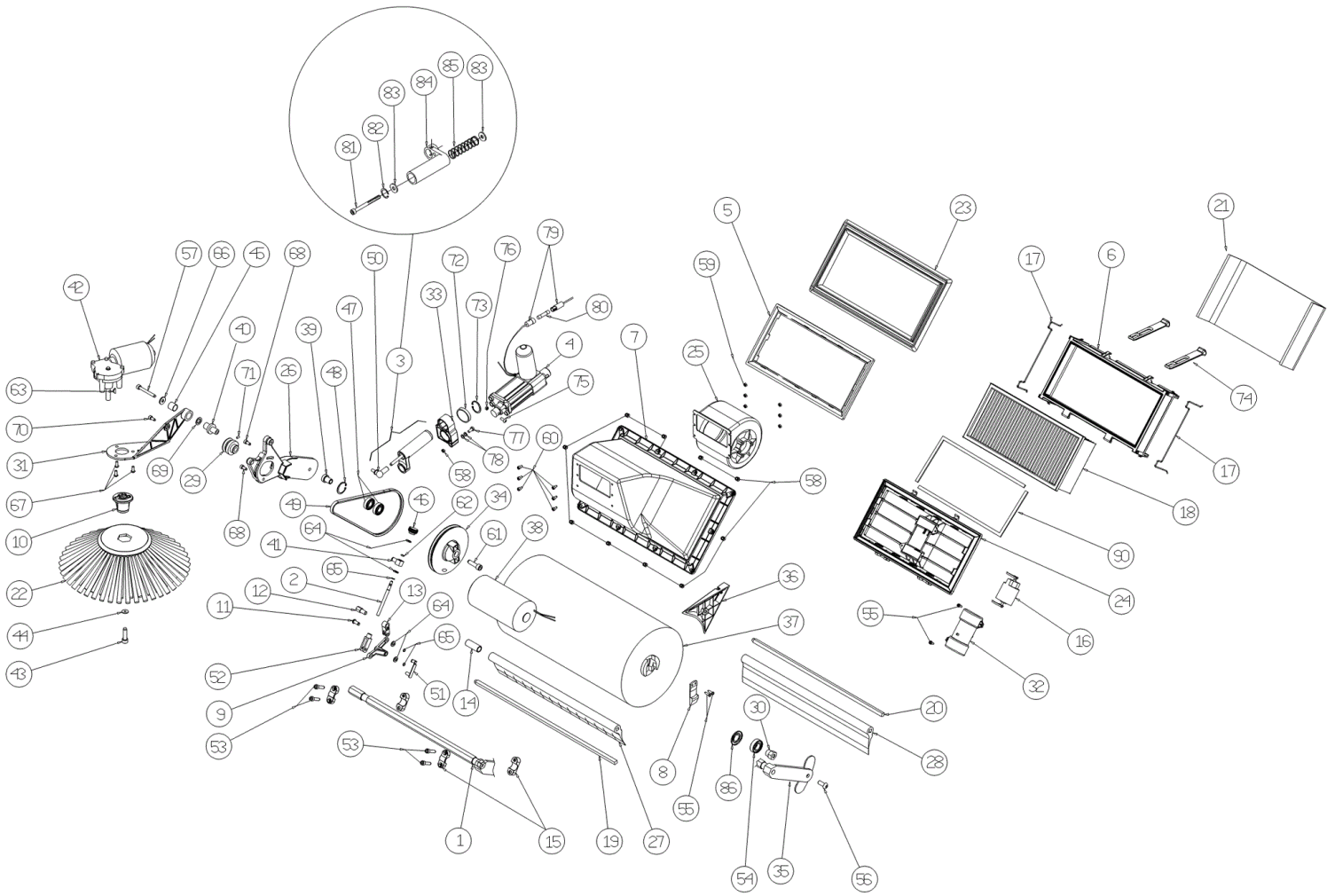
Model: 464 115V GR/VE



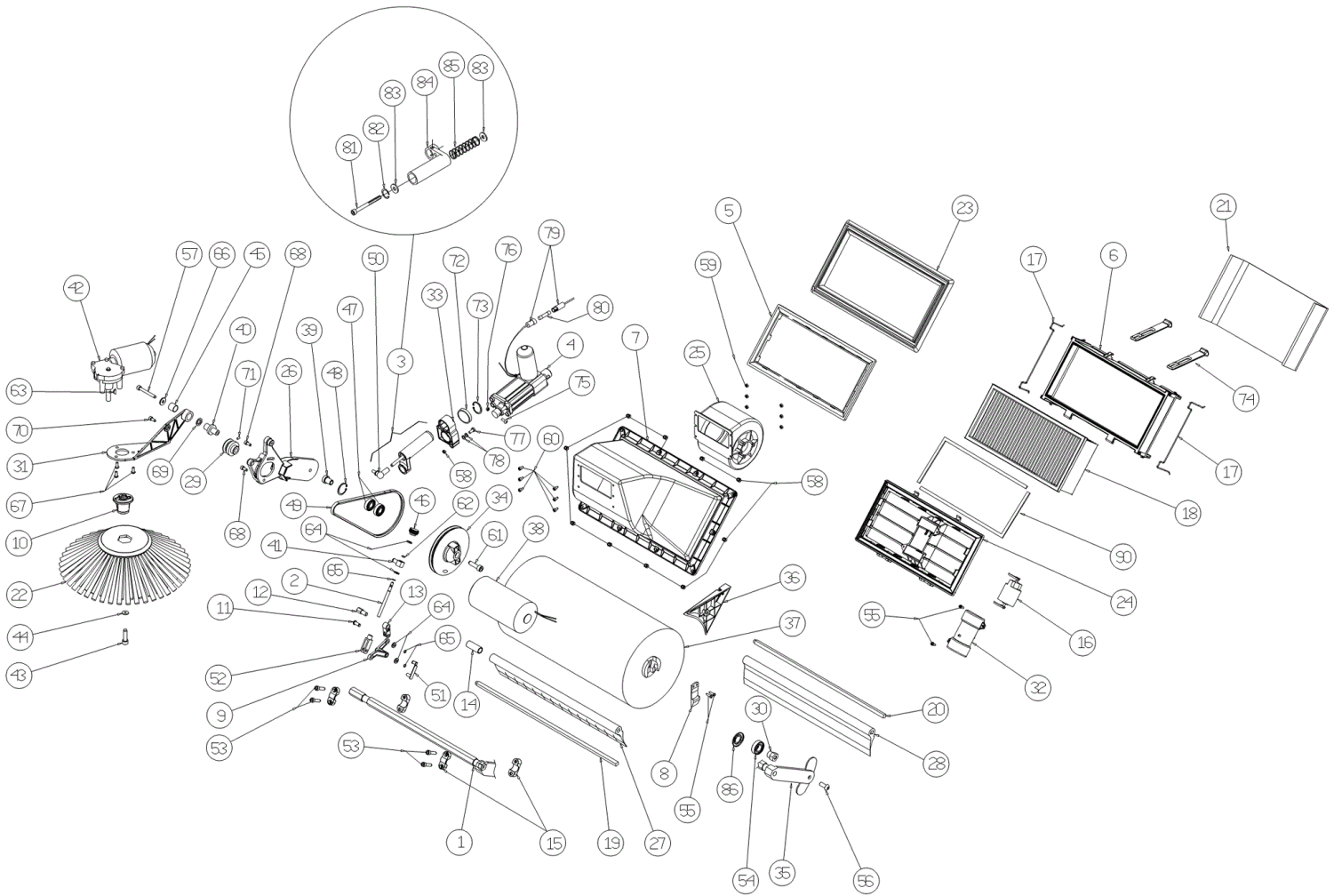
Ref. K	Part N.	Customer Part N.	Description	Qty	Validity:		Price
					From	To	
0001	LAFN01223		PIN ROTAZIONE MANIGLIONE	2,00			--
0002	MPVR00914		HOOK MARGHERITA	2,00			--
0003	MPVR00915		HOOK MARGHERITA	2,00			--
0004	LAFN06583		HANDLE SILVER 460 + IMPUGNATURE	1,00			--
0005	MPVR00917		CLAMP MANIGLIONE	2,00			--
0006	MPVR05160		DRAWER RIFIUTI 460	1,00			--
0007	MPVR05888		HOOD COMPLETO	1,00		01/2012	--
0007	MPVR05999		HOOD COMPLETO	1,00	01/2012		--
0008	MPVR05889		COVER -	1,00			--
0009	MPVR00926		INSTR.PANEL SUPERIORE	1,00			--
0010	MPVR00927		INSTR.PANEL INFERIORE	1,00			--
0011	MPVR05157		COVER DESTRA	1,00		01/2012	--
0011	MPVR05113		COVER DESTRA	1,00	01/2012		--
0012	MPVR05114		COVER SINISTRA	1,00	01/2012		--
0012	MPVR05158		COVER SINISTRA	1,00		01/2012	--
0013	LAFN06806		BRACKET FISSA FIANCATA	1,00			--
0014	MPVR00902		HANDLE BLOCCA CASSETTO	1,00			--
0015	LAFN01237		PIN BLOCCAGGIO MANIGLIONE	2,00			--
0016	VTVR00305		WASHER DI FERMO DIAMETRO 12	2,00			--
0017	RTRT00039		WHEEL POSTERIORE	2,00			--
0018	RTRT00040		WHEEL ANTERIORE	1,00			--
0019	MECE00020		BOARD DISPLAY 460-464	1,00			--
0020	LAFN01219		FRAME P203	1,00			--
0021	LAFN01235		PLATE FISSA FLAP SX	1,00			--
0022	MPVR00938		FLAP LATERALE SX	1,00			--
0023	MPVR05106		CONTAINER BATTERIA	1,00			--
0024	MPVR05105		COVER SCHEDA DI POTENZA	1,00			--
0025	VTVR47052		SPLIT PIN "R" D. 2 X 43 ZC	1,00			--
0026	LAFN01236		SUPPORT SCHEDA POTENZA	1,00			--
0027	MECE00408		TRANSFORMER PER CARICA BATTERIA 115V	1,00			--
0028	MECE00025		PCB 460	1,00			--
0029	MPVR00937		FLAP LATERALE DX	1,00			--
0030	LAFN01234		PLATE FISSA FLAP DX	1,00			--
0031	VTRS00011		WASHER UNI 6592 6X12 ZB	1,00			--
0032	MECB00923		EXTENSION AWG18 US PLUG	1,00			--
0033	VTRS86510		WASHER 15X24 UNI6592	1,00			--
0034	VTDD00012		NUT AUTOBLOK DIN 985 M12 ZB	1,00			--
0035	MPVR01708		KIT MOUSSE SILVER 460	1,00			--
0036	RTRT00011		WHEEL D.150 GRI/NR PARAC.SILVER	1,00			--



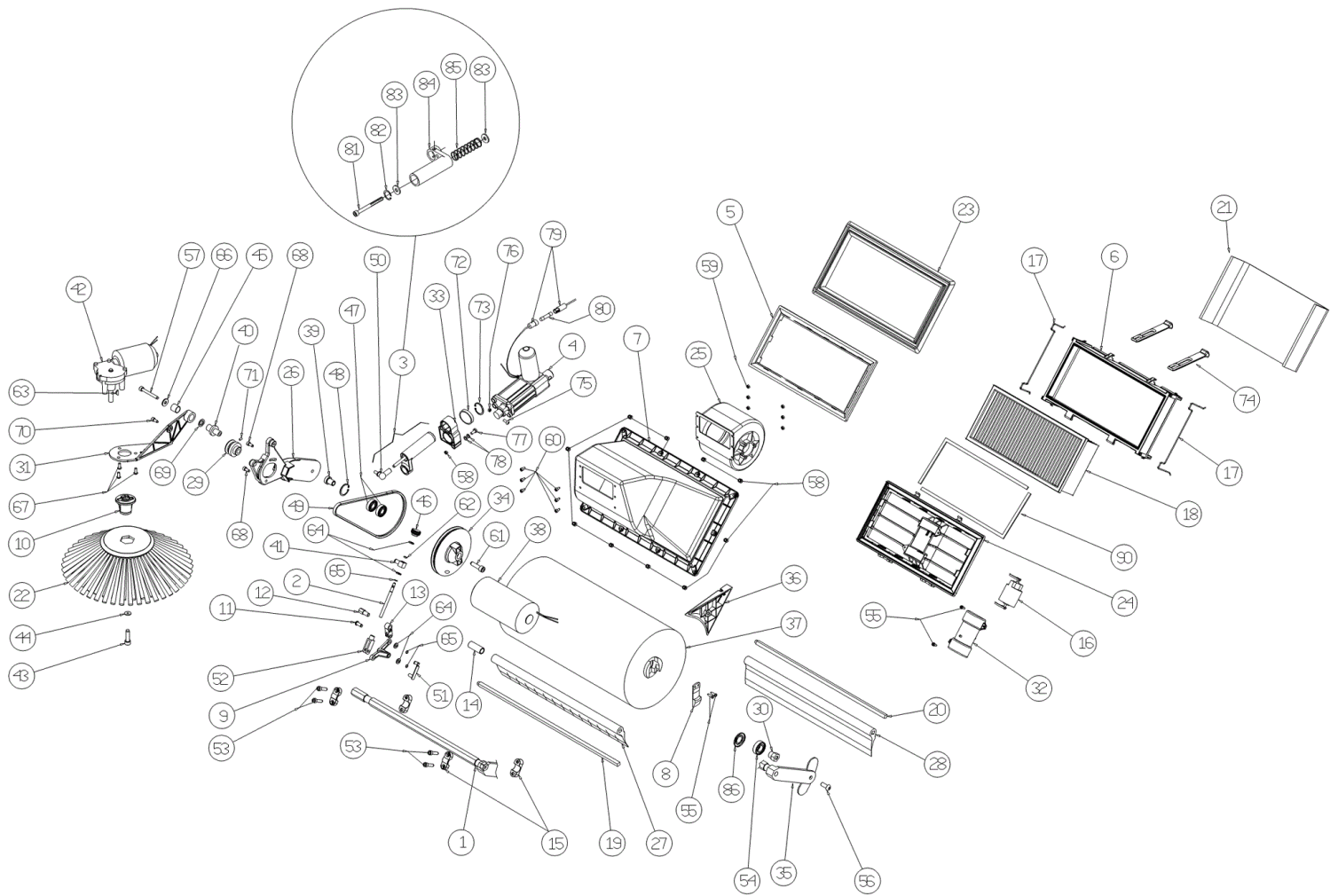
Ref.	K	Part N.	Customer Part N.	Description	Qty	Validity:		Price
						From	To	
0037		MTCG00011		BELT ELASTICA PER BATTERIA	1,00			--
0038		LAFN75911		SPACER D.12 h.7	1,00			--
0039		BAAC00019		BATTERY 12V 42AH/20H AGM	1,00			--
0040		VTAE48552		CIRCLIP D. 6 UNI 7435	1,00			--
0041		VTVT00800		SCREW TC 4X12 ZN	5,00			--
0042		VTVT00003		SCREW TE M 4X 12 ZC. UNI 5739	1,00			--
0043		VTVT72043		SCREW M 4 X16 TC UNI7687	4,00			--
0044		VTVT00003		SCREW TE M 4X 12 ZC. UNI 5739	10,00			--
0045		VTVT00104		SCREW TE UNI 5739 6X18 ZB	2,00			--
0046		VTDD00482		NUT M 6 ZIN UNI 5588	2,00			--
0047		VTVT00098		SCREW AUTOF.TC UNI 6954 3,9X9,5	3,00			--
0048		VTVT00993		SCREW TC UNI 8112 TRILOBATA	2,00			--
0049		VTVT00075		SCREW TSCE UNI 5933 5X20 ZB	2,00			--
0050		LAFN06270		RING NUT BLOCCAGGIO MARGHERITA	2,00			--
0051		VTVT14062		SCREW TE 5X16 UNI5739	2,00			--
0052		VTVT01353		SCREW TSCE UNI 5933 3X8 ZB	2,00			--
0053		MEVR00039		FUSE LAMELLARE 20A	1,00			--
0054		MEVR01930		PLUG CON FUSIBILE	1,00			--
0055		VTVT83145		SCREW TSCE UNI 5933 5X15 ZB	11,00			--
0056		VTVT75726		SCREW TBEI M 6X 16 ISO 7380 ZB	4,00			--
0057		VTVT09916		SCREW TBEI M 6X 20 ISO 7380 ZB	2,00			--
0058		VTDD00501		NUT INGABBIATO M6	4,00			--
0059		MECE00026		WIRING SILVER 460 E	1,00			--
0060		MECB00924		CABLE COLL.BATT.+CAPPUC	1,00			--
0061		MECE00023		CABLE PCB DISPLAY	1,00			--
0062		VTRS15959		WASHER D. 4X12 UNI 6593	1,00			--
0063		MEVR00082		CONNECTOR PP75 CORPO NERO	1,00			--
0064		MEVR00083		CONNECTOR PP75 CORPO ROSSO	1,00			--
0065		VTDD00017		NUT AUTOBLOK DIN 985 M5	2,00			--
0066		VTVT05726		SCREW M 5X 12 TSPEI ZC. UNI5933	1,00			--
0067		VTRS00010		WASHER UNI 6592 5X10 ZB	1,00			--
0068		MECB00971		WIRING FUGGISCOSSA	1,00			--
0069		VTRS03924		WASHER D. 5 DIN 6798E	1,00			--
0070		MPVR04693		RUBBER FUGGISCOSSA	2,00			--
0071		VTVT62920		SCREW TE F/ROND. M 6X 16 ZB	2,00			--
0072		MEVR01986		FUSE 2.5 A 250V 5X20	1,00			--
0073		ETET00146	#8479.90.9498	LABEL CRUSCOTTO P203	1,00			--
0074		VTVT00724		SCREW	1,00			--
0075		VTVT00892		SCREW	2,00			--



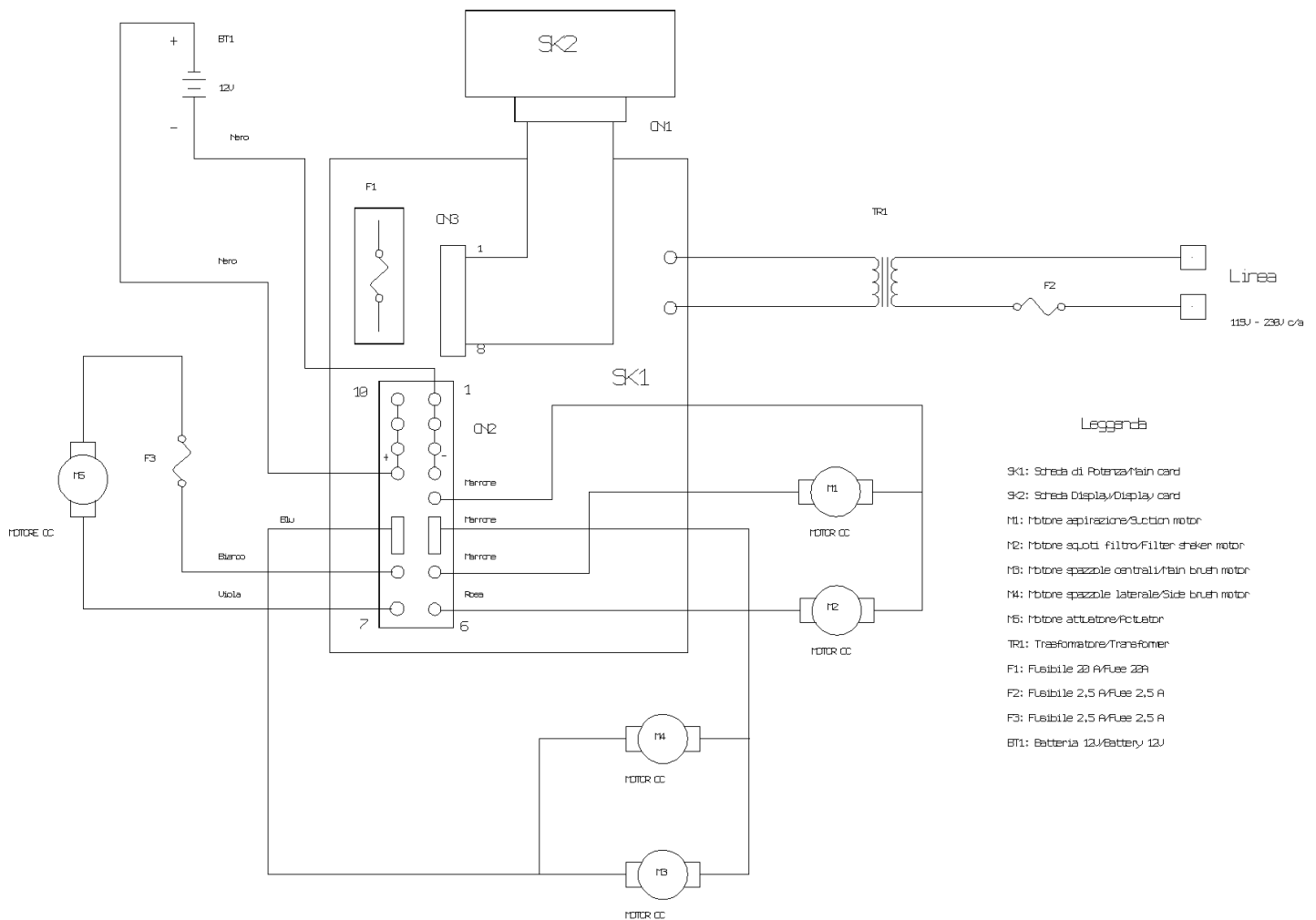
Ref.	K	Part N.	Customer Part N.	Description	Qty	Validity:		Price
						From	To	
0001		ALTR00041		SHAFT COMANDO SPAZZOLA CENTRALE	1,00			--
0002		ALTR00042		ROD MANOPOLA REGOLAZIONE	1,00			--
0003		PMVR00438		CASE COMPLETO	1,00			--
0004		MOCC00034		ATUATOR CENTRAL BRUSH 460-464	1,00			--
0005		MPVR00918		CLAMP TELAIO SCUOTIFILTRO	1,00			--
0006		MPVR00919		CLAMP FILTRO	1,00			--
0007		MPVR00920		CRANKCASE VENTILATORE	1,00			--
0008		PMVR00333		LEVER AGGANCIAMENTO SPAZZOLA COMPL.	1,00			--
0009		MPVR00934		ARM RINVIO SPAZZOLA LAT.	1,00			--
0010		MPVR01707		HUB SPAZZOLA LATERALE 460	1,00			--
0011		MPVR00932		PIN BIELLETTA	1,00			--
0012		LAFN01227		PIN COMANDO BRACCIO SPAZZ.LAT	1,00			--
0013		MPVR00916		CONNECTING ROD RINVIO SPAZZ. LAT.	1,00			--
0014		LAFN01221		SPACER FLAP ANTERIORE	1,00			--
0015		MPVR00807		SUPPORT BRACCIO REGOL.SPAZZ.	2,00			--
0016		MOCC00035		MOTOR FILTER SHAKER 460-464	1,00			--
0017		MLML00040		SPRING PREFILTRO	2,00			--
0018		FTDP00013		FILTER PAPER G460-464	1,00			--
0019		LAFN01232		PIN PORTA FLAP ANTERIORE	1,00			--
0020		LAFN01233		PIN PORTA FLAP POSTERIORE	1,00			--
0021		FTDP00014		FILTER P203	1,00			--
0022		SPPV00303		BRUSH SIDE G460-464	1,00			--
0023		MPVR00931		GASKET PORTAFILTRO	1,00			--
0024		MPVR00933		FRAME SCUOTITORE	1,00			--
0025		MOCC00036		MOTOR SUCTION 460-464	1,00			--
0026		MFVR00025		ARM SPAZZOLA CENTR. LAT. TRAZ	1,00			--
0027		MPVR00935		FLAP ANTERIORE	1,00			--
0028		MPVR00936		FLAP POSTERIORE	1,00			--
0029		MTPL00038		PULLEY MOTORE SPAZZOLA CENTRALE	1,00			--
0030		LAFN01230		PIN SPAZZOLA CENTRALE LAT.SX	1,00			--
0031		LAFN15263		ARM SPAZZOLA LATERALE	1,00			--
0032		MPVR00925		COVER VIBRO SCUOTITORE	1,00			--
0033		MPVR00943		GUIDE MOLLA	1,00			--
0034		MTPL00039		PULLEY COMANDO SPAZZOLA CENTRALE	1,00			--
0035		MFVR00026		ARM SPAZZOLA CENTR. LAT. SX	1,00			--
0036		MPVR00940		CONVEYOR P203	1,00			--
0037		PMVR01121		BRUSH CENTRAL G460-464	1,00			--
0038		MEVR01660		CARBON MOTORE "MOCC00033"	2,00			--
0038		MOCC00033		MOTOR CENTRAL BRUSH 460-464	1,00			--



Ref.	K	Part N.	Customer Part N.	Description	Qty	Validity:		Price
						From	To	
0039		LAFN01229		PIN PULEGGIA SPAZZOLA CENTR.	1,00			--
0040		LAFN01228		PIN ROTAZIONE BRACCIO SPA.LAT	1,00			--
0041		LAFN01220		BLOCK SNODO ASTA REGOLAZIONE	1,00			--
0042		MEVR86071		CARBON MOTORE TK1000E TK1380108	2,00			--
0042		MOC00037		MOTOR SIDE BRUSH 460-464	1,00			--
0042		MTIG00002		GEAR MOTORIDUT.D.63 BRACC.EL.	1,00			--
0043		VTVT29884		SCREW TE M 4X 16 UNI 5739	1,00			--
0044		VTRS05904		WASHER D. 4 X16 2.083	1,00			--
0045		LAFN06774		BUSHING GLYCODUR GLY.PG 14-16-15F	1,00			--
0046		VTVR00303		HANDWHEEL V1/30/BFC-M5	1,00			--
0047		CUVR46942		BALL BEARING 6001-2RS1 -SKF	2,00			--
0048		VTAE00010		SEEGER INTERNO DIN 472 D.28	1,00			--
0049		MTCG00019		BELT POLY 610 J 3	1,00			--
0050		VTVR45280		ARTICULATION AS M6	1,00			--
0051		CMCV00009		CLIP UNI 1676	1,00			--
0052		CMCV00006		FORK UNI 1676 M6X24	1,00			--
0053		VTVT06237		SCREW TCEI 6X20 UNI5931	4,00			--
0054		CUVR00164		BEARING 6002RS -SKF-	1,00			--
0055		VTVT00099		SCREW AUTOF.TC UNI 6954 3,9X13	2,00			--
0056		VTVT87271		SCREW TBEI M 8X 16 ISO 7380	1,00			--
0057		VTVT00063		SCREW TCCE UNI 5931 6X50 ZB	1,00			--
0058		VTDD00017		NUT AUTOBLOK DIN 985 M5	12,00			--
0059		VTDD00009		NUT AUTOBLOK DIN 985 M4 BASSO	6,00			--
0060		VTVT00003		SCREW TE M 4X 12 ZC. UNI 5739	6,00			--
0061		VTVT01354		SCREW TCCE UNI 5931 8X35 ZB	1,00			--
0062		GUGO00288		GASKET OR	1,00			--
0063		VTVR75730		KEY UNI 6606 3 X 3,7	1,00			--
0064		VTRS00011		WASHER UNI 6592 6X12 ZB	4,00			--
0065		VTAE48552		CIRCLIP D. 6 UNI 7435	3,00			--
0066		VTRS63242		WASHER D. 6 X24 ZC	1,00			--
0067		VTVT62920		SCREW TE F/ROND. M 6X 16 ZB	3,00			--
0068		VTVT00005		SCREW TE FR 5X12 ZB	1,00			--
0069		VTRS00029		THICKNESS 15X22X0,2	2,00			--
0070		VTVT00005		SCREW TE FR 5X12 ZB	1,00			--
0071		VTVT00989		GRUB SCREW 4X8 coppa zigrinata	1,00			--
0072		LAFN06775		SPACER -	1,00			--
0073		VTAE09655		CIRCLIP D. 25 UNI 7435	1,00			--
0074		MPVR04648		TIE ROD FISSA FILTRO SILVER 460	2,00			--
0075		VTVT00245		SCREW TE M6X30 UNI 5739	1,00			--



Ref.	K	Part N.	Customer Part N.	Description	Qty	Validity:		Price
						From	To	
0076		VTDD00010		NUT AUTOBLOK DIN 985 M6 BASSO	1,00			--
0077		VTVT00847		SCREW TBEI M5X25 INOX	2,00			--
0078		VTRS00010		WASHER UNI 6592 5X10 ZB	2,00			--
0079		MECB00925		CABLE COLLEGAMENTO ATTUATORE	1,00			--
0080		MEVR00150		FUSE 2.5 A 250V 5X20	1,00			--
0081		VTVT37013		SCREW TE M 6X100 UNI 5737	1,00			--
0082		VTAE00009		SEEGER INTERNO DIN 472 D.20	1,00			--
0083		LAFN00124		BUSHING BATTUTA CILINDRO	2,00			--
0084		LAFN01238		GUIDE SPRING CASE	1,00			--
0085		MLML45281		SPRING TK1400	1,00			--
0086		LAFN07372		CAP PROTECTION BEARING 464	1,00			--
0090		GUGO00414		GASKET TELAIO SCUOTITORE	2,00			--



Leggenda

- SK1: Scheda di Potenza/Main card
- SK2: Scheda Display/Display card
- M1: Motore aspirazione/Suction motor
- M2: Motore sq.otti filtro/Filter shaker motor
- M3: Motore spazzole centrali/Main brush motor
- M4: Motore spazzole laterale/Side brush motor
- M5: Motore attizzatore/Actuator
- TR1: Trasformatore/Transformer
- F1: Fusibile 20 A/Fuse 20A
- F2: Fusibile 2,5 A/Fuse 2,5 A
- F3: Fusibile 2,5 A/Fuse 2,5 A
- BT1: Batteria 12V/Battery 12V

Ref.	K	Part N.	Customer Part N.	Description	Qty	Validity: From To	Price
BT1		BAAC00019		BATTERY 12V 42AH/20H AGM	1,00		--
F1		MEVR00039		FUSE LAMELLARE 20A	1,00		--
F2		MEVR00150		FUSE 2.5 A 250V 5X20	1,00		--
F3		MEVR00150		FUSE 2.5 A 250V 5X20	1,00		--
M1		MOCC00036		MOTOR SUCTION 460-464	1,00		--
M2		MOCC00035		MOTOR FILTER SHAKER 460-464	1,00		--
M3		MOCC00033		MOTOR CENTRAL BRUSH 460-464	1,00		--
M4		MOCC00037		MOTOR SIDE BRUSH 460-464	1,00		--
M5		MOCC00034		ATUATOR CENTRAL BRUSH 460-464	1,00		--
SK1		MECE00025		PCB 460	1,00		--
SK2		MECE00020		BOARD DISPLAY 460-464	1,00		--
TR1		MECE00408		TRANSFORMER PER CARICA BATTERIA 115V	1,00		--