



## Electronic Service Manuals

This electronic document is provided as a service to our customers. We do not create the contents of the information contained in this document. Should you have detailed questions pertaining to the information contained in this document, you may contact Michco, or the manufacturer which provided the original information in this electronic deliverable. Michco's only part in this electronic deliverable was the electronic assembly process. By providing this manual on line we are not guaranteeing parts availability.

You may contact Michco through the following methods:

Phone (517) 484-9312 or (800) 331-3339

2011 N. High St. -- Lansing, Michigan -- 48906

Fax: (517) 484-9836

Email: [CustServe@Michco.com](mailto:CustServe@Michco.com)

Web site: [www.Michco.Com](http://www.Michco.Com)

Parts Web site: [www.FloorMachineParts.Com](http://www.FloorMachineParts.Com)

Order Parts on Line at:

**[www.FloorMachineParts.Com](http://www.FloorMachineParts.Com)**

Directly to Parts & Service:

By Email: **[Shop@Michco.com](mailto:Shop@Michco.com)**

By Fax: (517) 702-2041

By Voice: Use numbers above.

**Serving the Cleaning Industry Since 1922**

Notice: All copyrighted material remains property of original owners, all trademarks are property of respective owners. Manuals are subject to Manufacturer's reproduction limitations. Originals or reproductions were provided by manufacturers through a request. We make no warranty as to the correctness of information provided in this document and you assume all risk. By placing these manuals on line we are not declaring our corporation to be an manufacturer authorized dealer or provider, please check our web site for authorized manufacturers we represent.



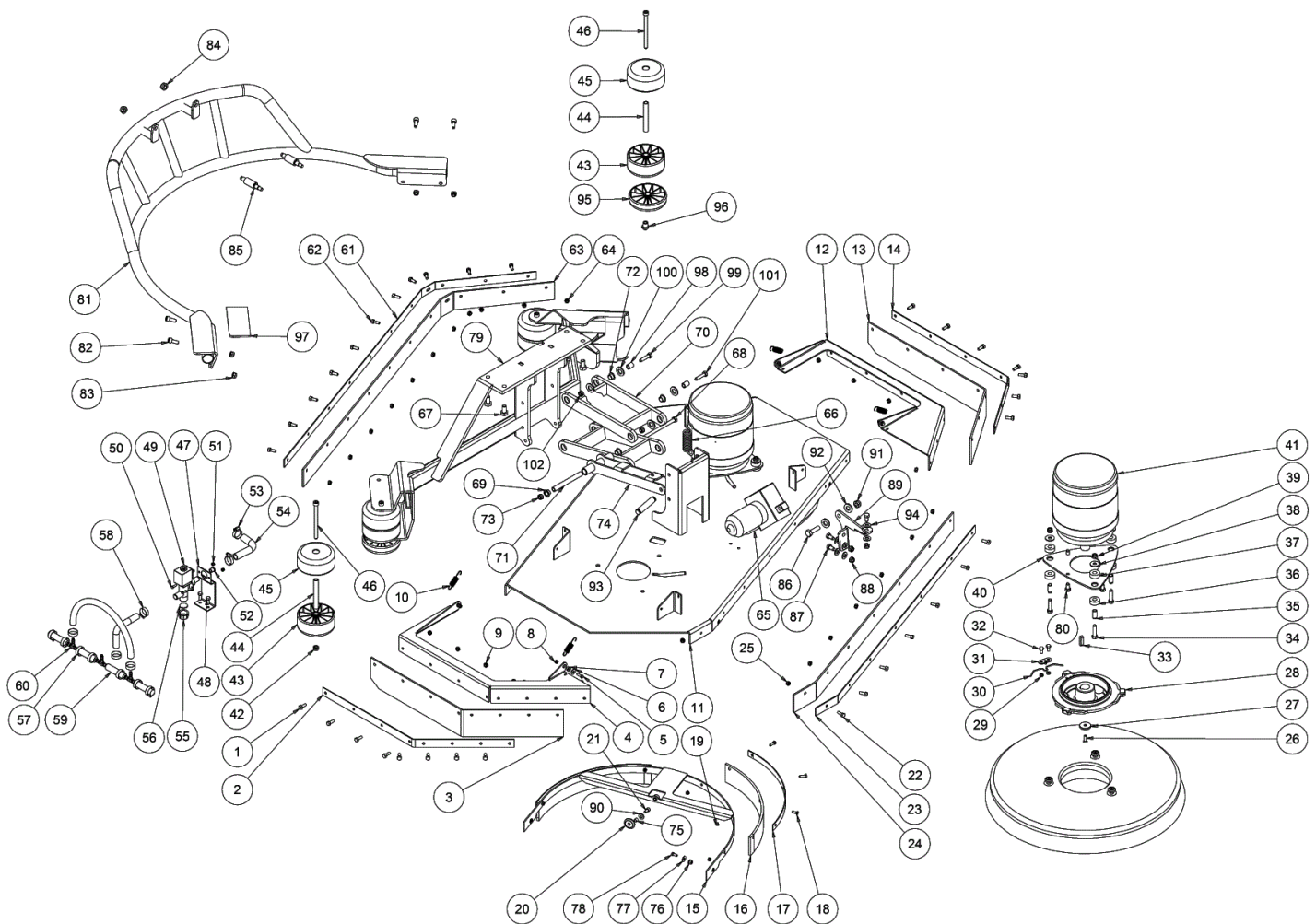
**IPC**  
EAGLE

## Spare Parts List

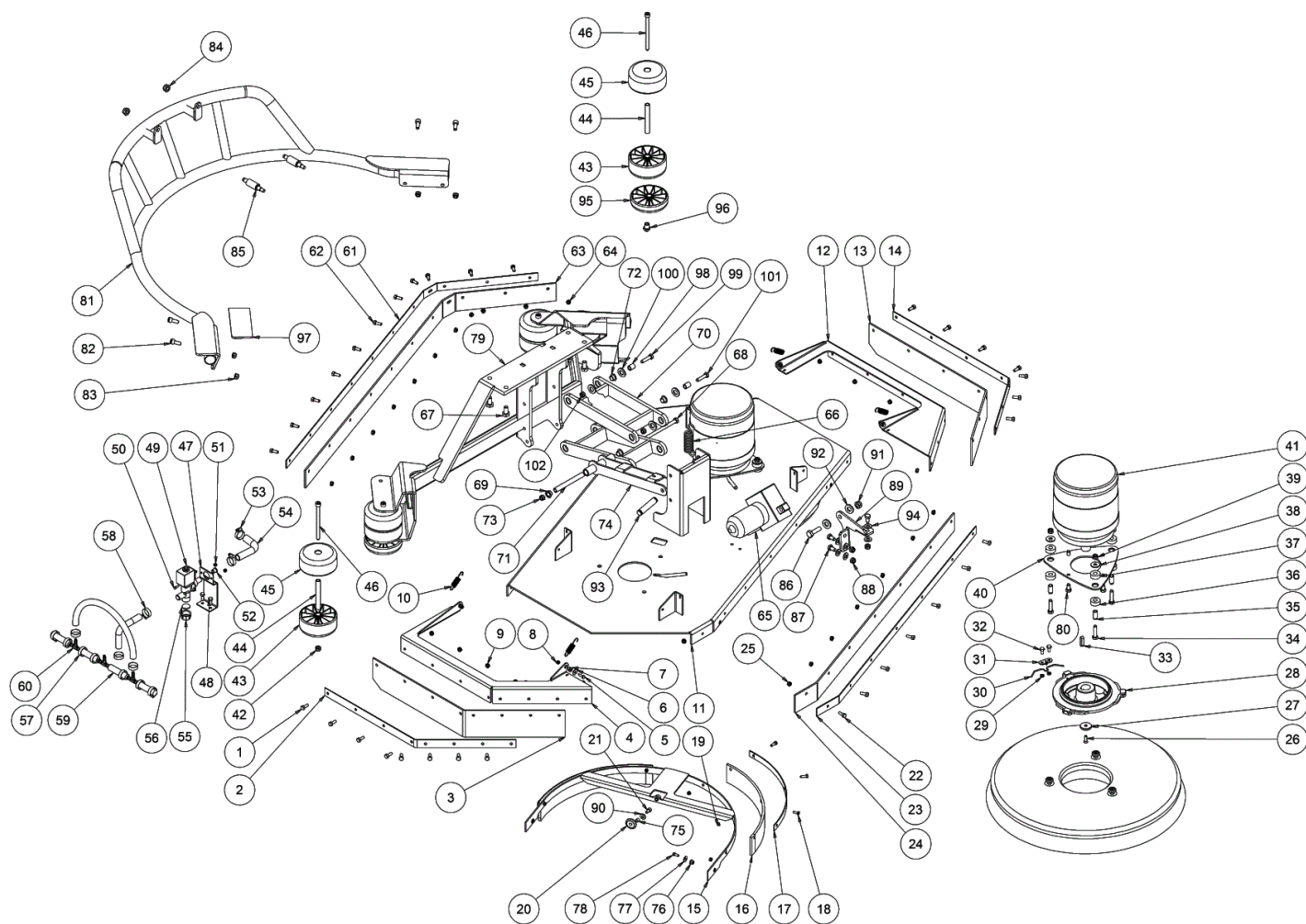
IPC EAGLE

Ref: LPTB02045

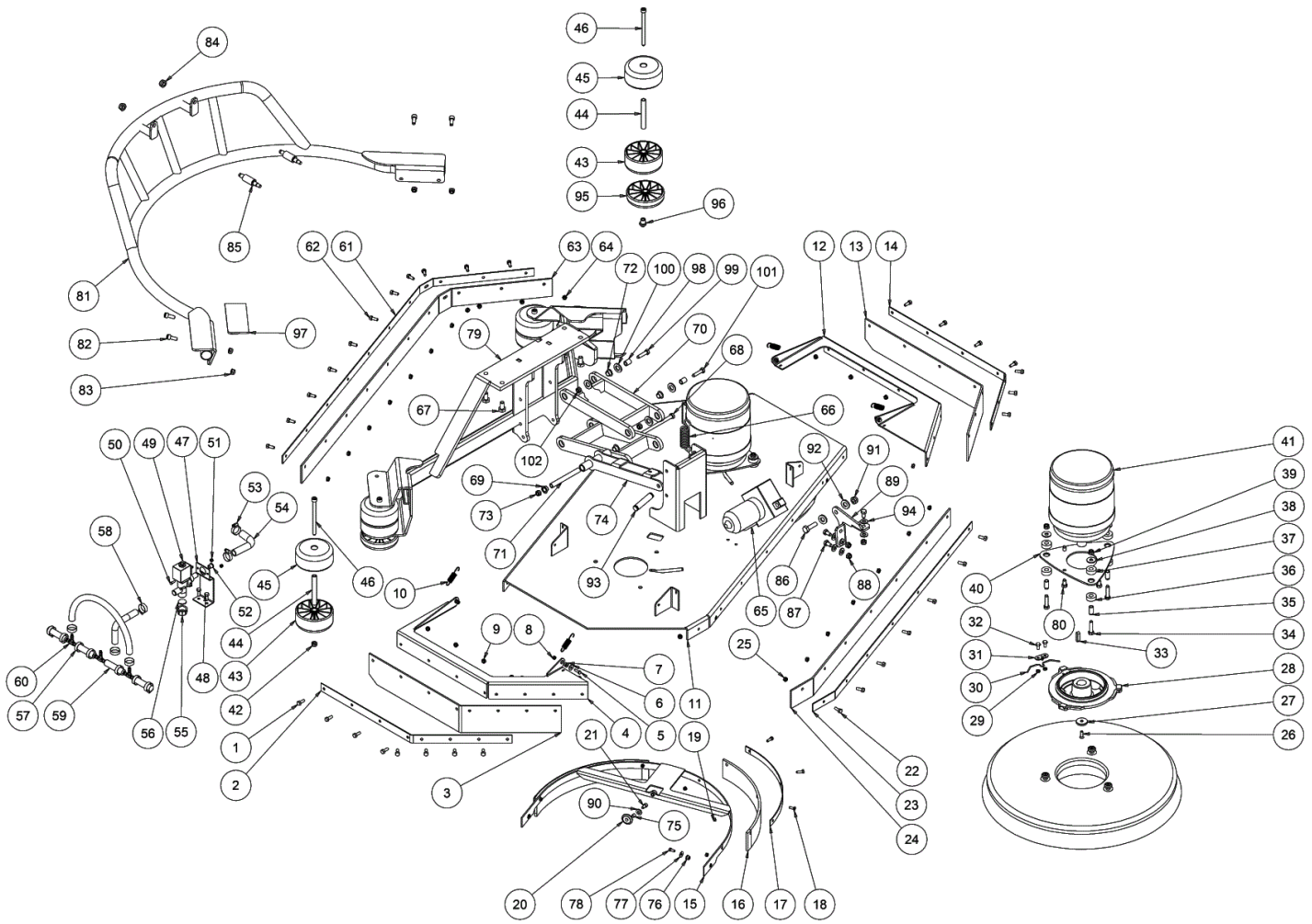
Model: CT230 BT105 GR/VE



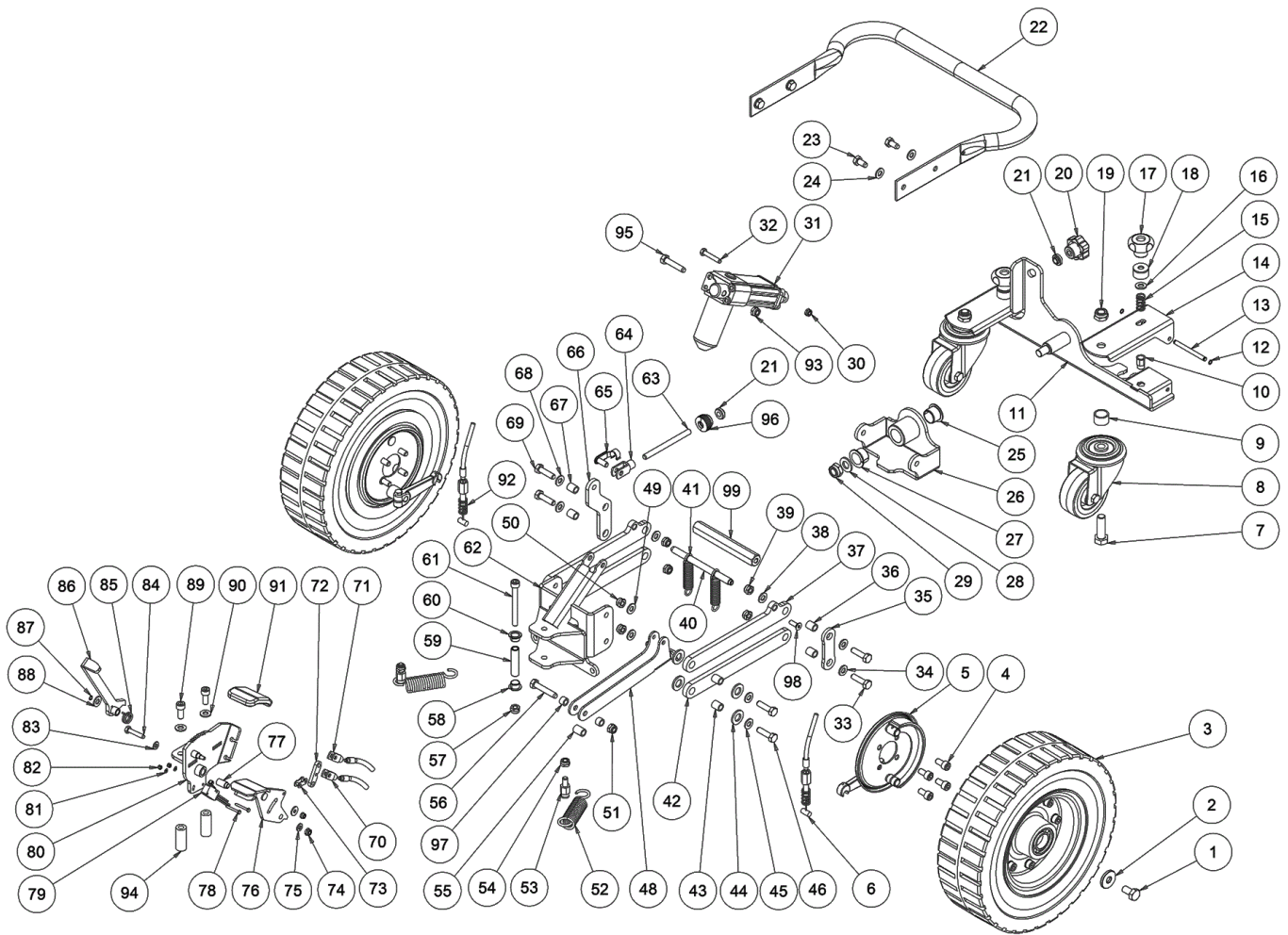
Ref.	K	Part N.	Customer Part N.	Description	Qty	Validity:		Price
						From	To	
0001		VTVT15143		SCREW TE 6X16 UNI5739	15,00			--
0002		LAFN07005		BRACKET -	1,00			--
0003		MPVR05037		FLAP	1,00			--
0004		LAFN07013		PLANE -	1,00			--
0005		VTVT07725		SCREW TE 5X16 UNI5739 INX	4,00			--
0006		VTRS13750		WASHER D. 5X14 INX	4,00			--
0007		CUVR00140		BUSHING DI CENTRAGGIO SPAZZOLE	4,00			--
0008		VTDD01693		NUT M 5 INX	4,00			--
0009		VTDD01694		NUT M6 INOX	15,00			--
0010		MLML02801		SPRING FLAP LATER.	4,00			--
0011		LAFN06988		SUPPORT -	1,00			--
0012		LAFN07012		PLANE -	1,00			--
0013		MPVR05038		FLAP	1,00			--
0014		LAFN07006		BRACKET -	1,00			--
0015		LAFN06989		SUPPORT -	2,00			--
0016		MPVR05034		FLAP	4,00			--
0017		LAFN07002		BRACKET -	4,00			--
0018		VTVT07725		SCREW TE 5X16 UNI5739 INX	12,00			--
0019		VTDD01693		NUT M 5 INX	12,00			--
0020		CUVR00184		BEARING -	2,00			--
0021		VTVT00717		SCREW TCEI M. 6-16	2,00			--
0022		VTVT15143		SCREW TE 6X16 UNI5739	7,00			--
0023		LAFN07003		BRACKET -	1,00			--
0024		MPVR05035		FLAP	1,00			--
0025		VTDD01694		NUT M6 INOX	7,00			--
0026		VTVT13940		SCREW M 6X 20 TSPEI UNI 5933	2,00			--
0027		LAFN04146		WASHER FISSA PIATTI	2,00			--
0028		MFVR00139		DRIVE DISK SPAZZOLE P185	2,00			--
0029		LAFN04140		SPACER X MOLLA	4,00			--
0030		MLML00240		SPRING PIATTO SPAZZOLA P185	2,00			--
0031		LAFN05797		PLATE FERMO MOLLA	2,00			--
0032		VTVT15906		SCREW TE 6X 12 A2 UNI 5739	4,00			--
0033		VTVR14052		KEY 8X 7X30 UNI 6604A	2,00			--
0034		VTVT00410		SCREW TE M8x35 UNI5739 INOX	6,00			--
0035		LAFN04141		PIN PIASTRA MOTORE	6,00			--
0036		GUGO00264		WASHER ELASTOMERO	6,00			--
0037		GUGO00264		WASHER ELASTOMERO	6,00			--
0038		VTRS16323		WASHER D. 8 X32 UNI 6593 INX	6,00			--
0039		VTDD01695		NUT M 8 INX	6,00			--



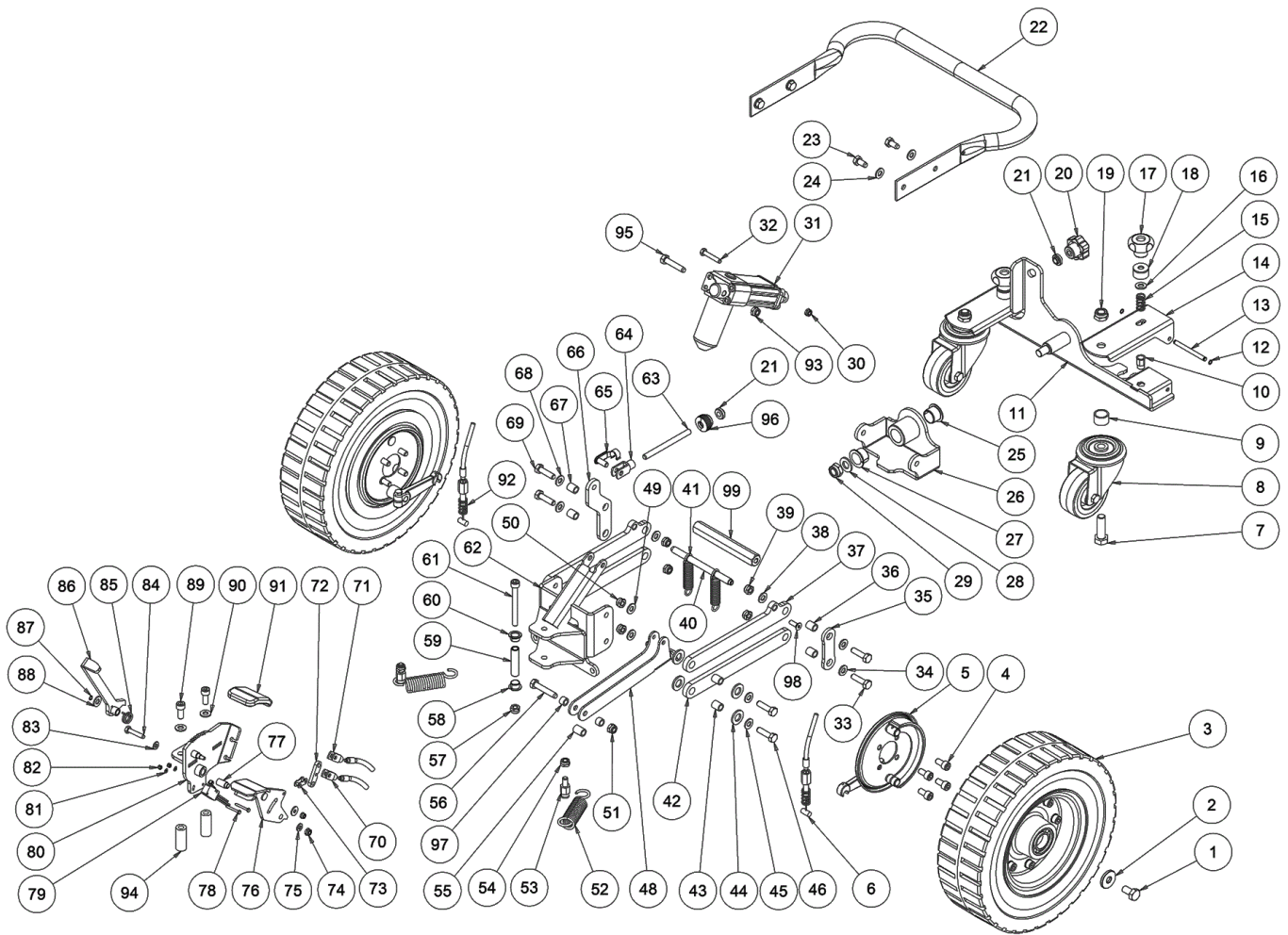
Ref.	K	Part N.	Customer Part N.	Description	Qty	Validity:		Price
						From	To	
0040		LAFN05785		FLANGE PORTAMOTORE	2,00			--
0041		MOCC00195		MOTOR	2,00			--
0042		VTDD01695		NUT M 8 INX	5,00			--
0043		RTRT00510		WHEEL ANTIRIBALTAMENTO	5,00			--
0044		LAFN04127		PIN RULLO PARACOLPI	5,00			--
0045		RTRT00510		WHEEL ANTIRIBALTAMENTO	5,00			--
0046		VTVT67560		SCREW TCEI M8X110 INOX AISI 304	5,00			--
0047		LAFN05835		BRACKET PORTAELETTROVALVOLA	1,00			--
0048		VTVT15143		SCREW TE 6X16 UNI5739	2,00			--
0049		MEEV00021		SOLENOID VALVE RIF. D160SS10/K/20Z	1,00		10/2011	--
0049		MEEV00043		SOLENOID VALVE	1,00	10/2011		--
0050		VTVT00817		SCREW TE M4x12 UNI 5739 INOX	2,00			--
0051		VTDD00147		NUT M 4 INX U.5588	2,00			--
0052		MPVR02897		REDUCTION D.10-6.5 PER ELETTROVALV.	1,00		05/2011	--
0053		FSVR00096		CLAMP 10-16 INOX	4,00			--
0054		TBFX48011		TUBE FLEX D.12X3 ARMORV.PVC TR	0,50			--
0055		RCVR00353		CAP 1/2"G X ELETTROV. ACL	1,00		10/2011	--
0056		GUGO00268		GASKET D.21 SP.3 GOMMA	1,00		10/2011	--
0057		FSVR00255		CLAMP -	1,00			--
0058		FSVR00255		CLAMP -	3,00			--
0059		TBBP00146		CARRYNG BAG	0,50			--
0060		RCVR00483		CONNECTOR 3 VIE	3,00			--
0061		LAFN07004		BRACKET -	1,00			--
0062		VTVT15143		SCREW TE 6X16 UNI5739	11,00			--
0063		MPVR05036		FLAP	1,00			--
0064		VTDD01694		NUT M6 INOX	11,00			--
0065		MOCC00388		ATUATOR	1,00			--
0066		MLML00241		SPRING TESTATA SPAZZOLA P185	1,00			--
0067		VTVT13936		SCREW TE M 10X 20	4,00			--
0068		VTVT01159		SCREW M8x130	1,00			--
0069		CUVR00130		BEARING STRISCIAMENTO	2,00			--
0070		LAFN07958		BRACKET BRUSH HEAD ACTUATOR CT230	2,00	07/2012		--
0070		LAFN08801		ARM -	2,00		07/2012	--
0071		LAFN07878		BUSHING -	1,00			--
0072		CUVR00130		BEARING STRISCIAMENTO	8,00			--
0073		VTDD01695		NUT M 8 INX	1,00			--
0074		LAFN08802		ARM -	1,00			--
0075		LAFN03840		BUSHING	2,00			--
0076		CUVR00140		BUSHING DI CENTRAGGIO SPAZZOLE	4,00			--



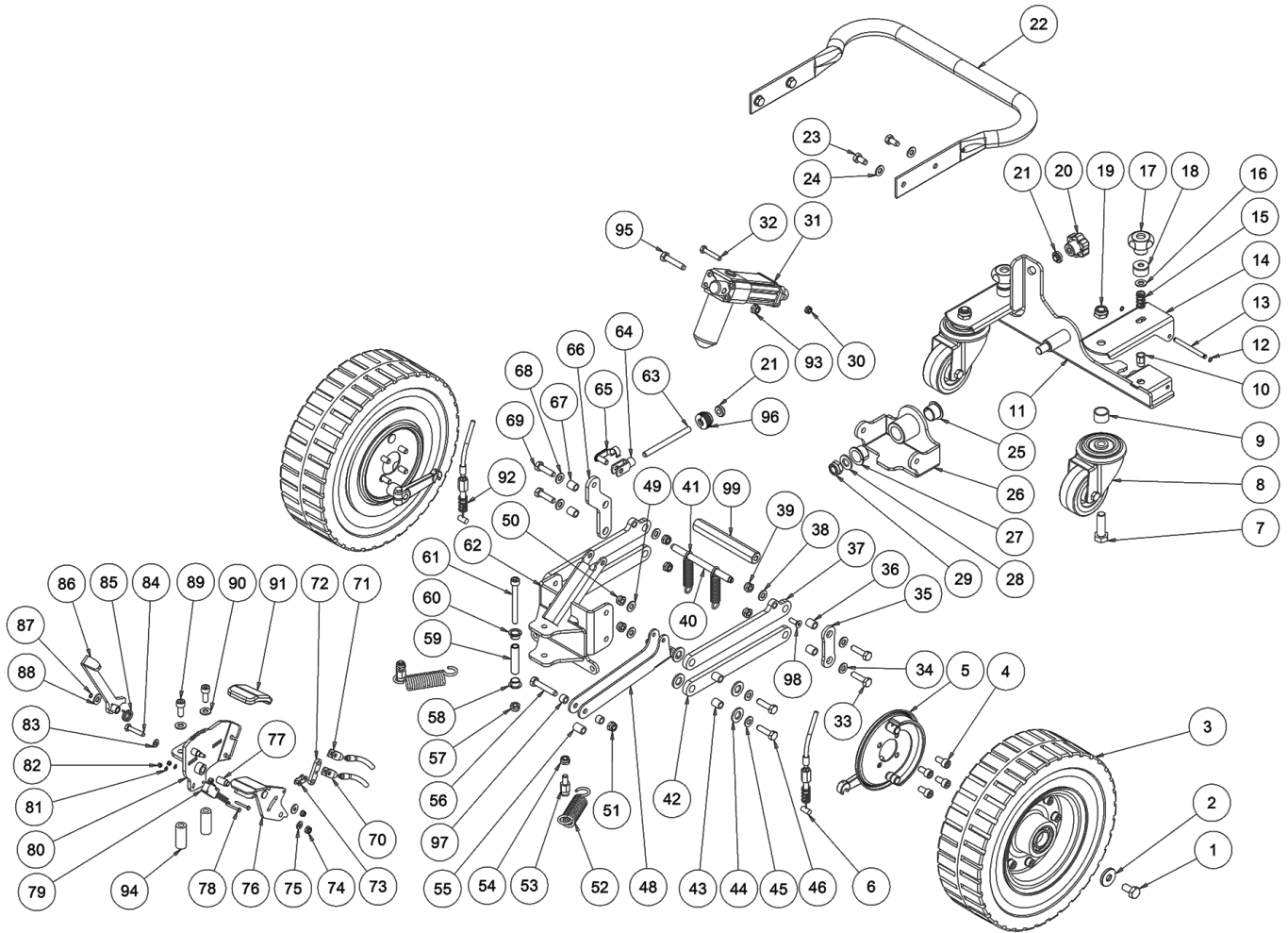
Ref.	K	Part N.	Customer Part N.	Description	Qty	Validity:		Price
						From	To	
0077		VTRS13750		WASHER D. 5X14 INX	4,00			--
0078		VTVT01300		SCREW TE M5X12 INOX	4,00			--
0079		LAFN06990		BRACKET ROLL BAR	1,00			--
0080		VTVT15916		SCREW TE M 8X 16 UNI 5739 A2	8,00			--
0081		LAFN07870		BUMPER -	1,00			--
0082		VTVT13944		SCREW TCEI M 8X20 UNI 5931 INX	4,00			--
0083		VTDD01695		NUT M 8 INX	4,00			--
0084		VTDD15519		NUT M10 INOX	2,00			--
0085		LAFN07871		BRACKET -	2,00			--
0086		VTVT01541		SCREW TE M 10x30 INOX UNI5739	1,00			--
0087		VTVT15907		SCREW TE 8X25 UNI5739 INX	3,00			--
0088		VTDD01695		NUT M 8 INX	3,00			--
0089		LAFN07877		BRACKET -	1,00			--
0090		VTRS00245		WASHER D.6 UNI 6592 INOX	2,00			--
0091		VTDD10310		NUT AUTOBL.M10 INOX DIN 985	1,00			--
0092		VTRS15523		WASHER D.10 X21 INOX UNI 6592	2,00			--
0093		LAFN51065		PIN INFER.ATTUAT.TEST.	1,00			--
0094		VTRS13947		WASHER D. 8 INX UNI 6592	6,00			--
0095		MPVR05290		ROLLER PARACOLPI	2,00			--
0096		LAFN09007		PIN -	2,00			--
0097		MPVR00866		PLANE ANTISDRUCCIOLO G1050	2,00			--
0098		LAFN08907		SPACER 12-8	8,00	07/2012		--
0099		VTVT00410		SCREW TE M8x35 UNI5739 INOX	4,00	07/2012		--
0100		VTRS15978		WASHER D.12X24 UNI 6592 INX	16,00	07/2012		--
0101		VTVT13937		SCREW TE M 8X 30 INX UNI 5739	4,00	07/2012		--
0102		VTDD01695		NUT M 8 INX	8,00	07/2012		--



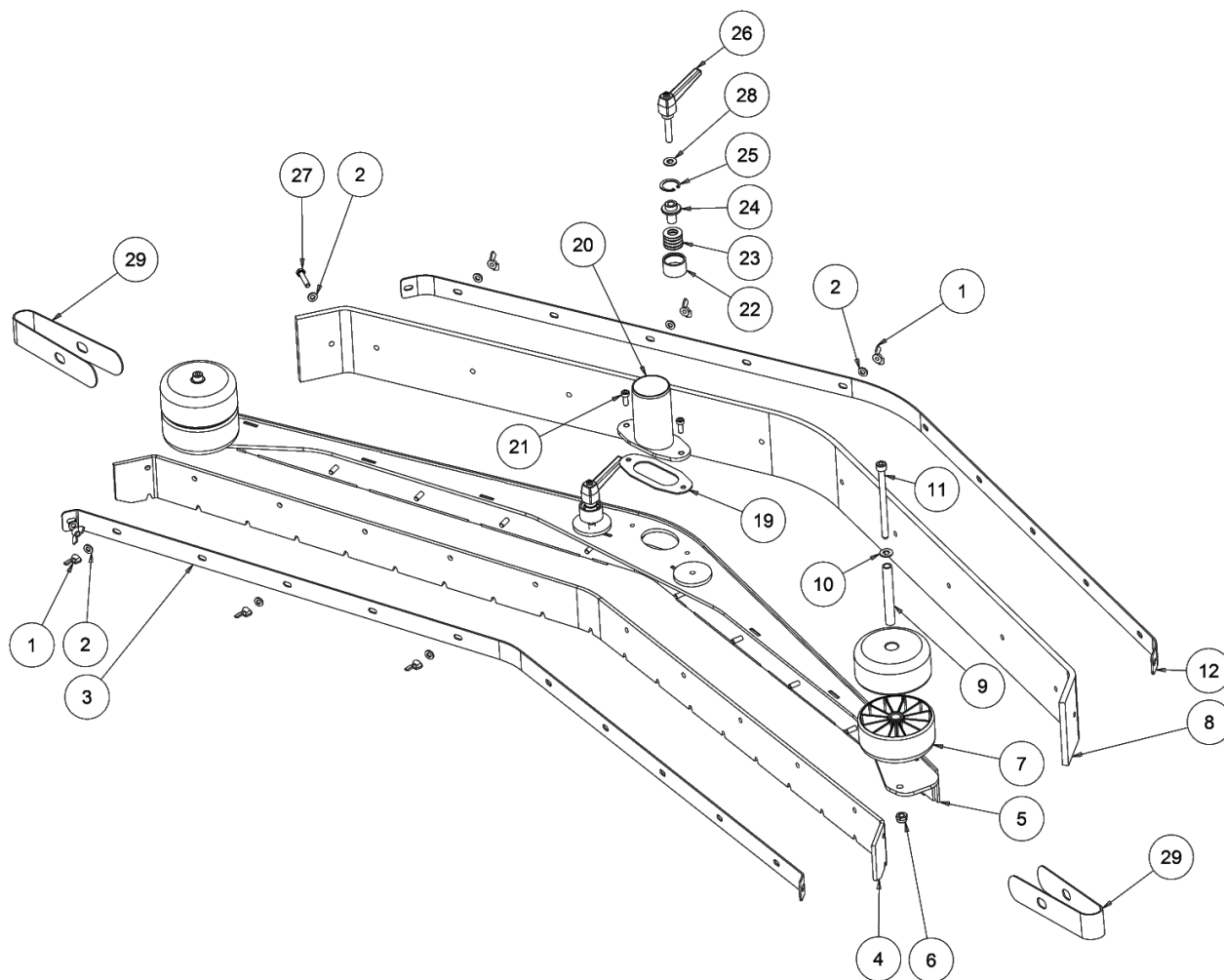
Ref.	K	Part N.	Customer Part N.	Description	Qty	Validity:		Price
						From	To	
0001		VTVT13936		SCREW TE M 10X 20	2,00			--
0002		LAFN04144		WASHER RUOTE POSTERIORI	2,00			--
0003		RTRT00538		WHEEL REAR 4.00-6 PU CT230	2,00			--
0004		VTVT00876		SCREW TCEI M.8-16	8,00			--
0005		RTRT45090		BLOCK BRAKE D.125 TK	2,00			--
0006		CMCV00335		CABLE 4x	1,00			--
0007		VTVT28885		SCREW TE M 12X 50 UNI 5739 INOX	2,00			--
0008		RTRT00396		WHEEL -	2,00			--
0009		LAFN09002		THICKNESS -	2,00			--
0010		VTVR00022		INSERT FILETTATO ESAGONALE M8	2,00			--
0011		LAFN08810		SUPPORT -	1,00			--
0012		VTAE48552		CIRCLIP D. 6 UNI 7435	4,00			--
0013		LAFN04150		PIN BRACCIO RUOTA TERGI P185	2,00			--
0014		LAFN08993		ARM PORTARUOTA TERGI P185	2,00			--
0015		MLML00239		SPRING PER RUOTE TERGI P185	2,00			--
0016		VTRS13947		WASHER D. 8 INX UNI 6592	2,00			--
0017		VTVR35378		HANDWHEEL F 8MAX20 D.40	2,00			--
0018		ABGO00042		VIBRATION DAMP.REGOLAZIONE TERGI CLT160	2,00			--
0019		VTDD00176		NUT M.12 INOX A2 BASSO AUTOB.	2,00			--
0020		VTVT00207		HANDWHEEL M8	1,00			--
0021		LAFN08811		BUSHING -	2,00			--
0022		LAFN06275		TUBE ROLL BAR POSTER.CLT160	1,00			--
0023		VTVT15916		SCREW TE M 8X 16 UNI 5739 A2	4,00			--
0024		VTRS13947		WASHER D. 8 INX UNI 6592	4,00			--
0025		CUVR44216		BUSHING CB 85 2015 31T	1,00			--
0026		LAFN08812		BRACKET -	1,00			--
0027		CUVR44216		BUSHING CB 85 2015 31T	1,00			--
0028		VTRS15978		WASHER D.12X24 UNI 6592 INX	1,00			--
0029		VTDD00176		NUT M.12 INOX A2 BASSO AUTOB.	1,00			--
0030		VTDD01694		NUT M6 INOX	1,00			--
0031		MOCC00394		ATUATOR	1,00			--
0032		VTVT00433		SCREW TE M 6X 30 UNI 5739 INX	1,00			--
0033		VTVT13937		SCREW TE M 8X 30 INX UNI 5739	2,00			--
0034		VTRS13947		WASHER D. 8 INX UNI 6592	2,00			--
0035		LAFN08806		CONNECTING ROD -	1,00			--
0036		LAFN04151		BUSHING X PARALLELOGRAMMA	2,00			--
0037		LAFN08804		SPACER -	2,00			--
0038		VTRS13947		WASHER D. 8 INX UNI 6592	2,00			--
0039		VTDD01695		NUT M 8 INX	2,00			--



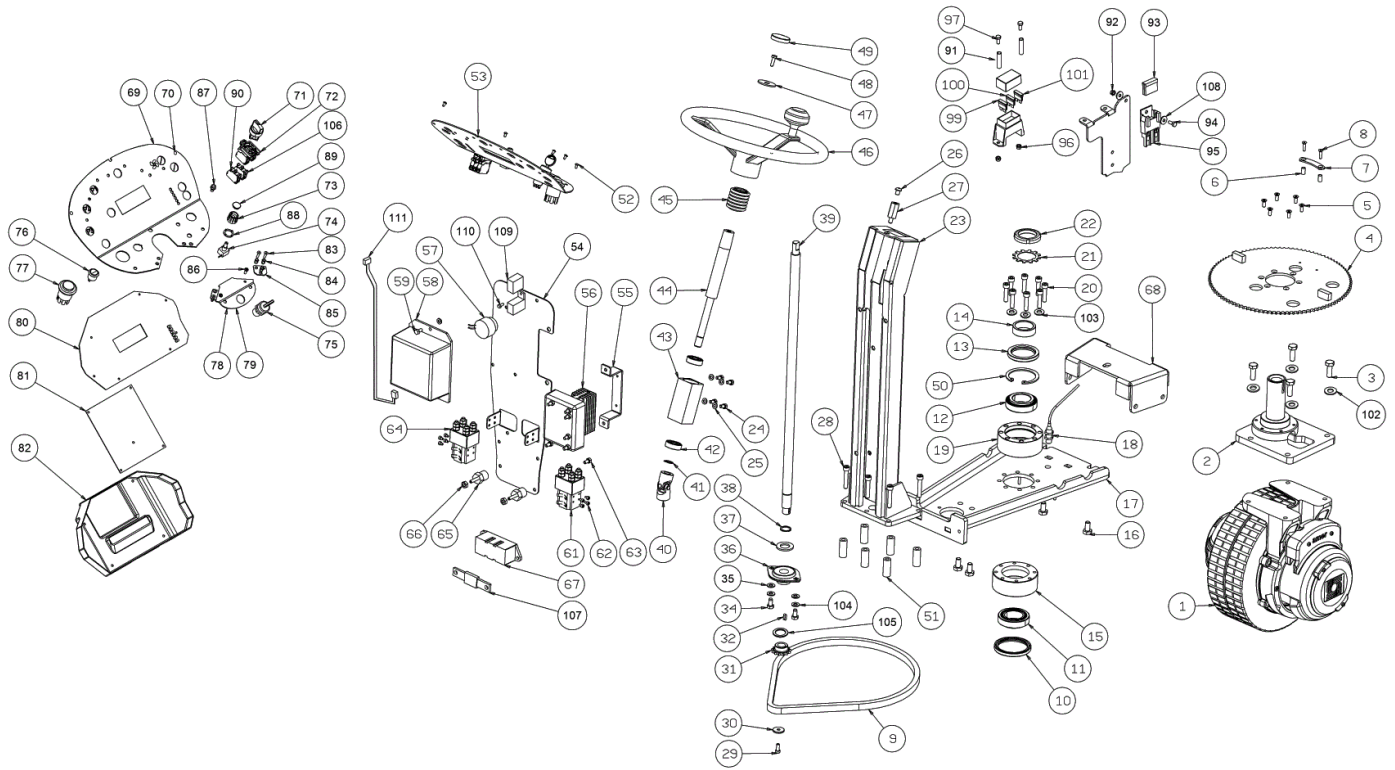
Ref.	K	Part N.	Customer Part N.	Description	Qty	Validity: From To	Price
0040		LAFN08808		PIN -	1,00		--
0041		MLML00022		SPRING GANCIO ARPIONE	2,00		--
0042		LAFN08805		ARM -	2,00		--
0043		LAFN04151		BUSHING X PARALLELOGRAMMA	4,00		--
0044		VTRS15978		WASHER D.12X24 UNI 6592 INX	8,00		--
0045		VTRS13947		WASHER D. 8 INX UNI 6592	4,00		--
0046		VTVT01050		SCREW TE M 8X30 INX UNI 5737	4,00		--
0048		LAFN05777		LEVER SOLLEVAMENTO TERGI	1,00		--
0049		VTRS13947		WASHER D. 8 INX UNI 6592	4,00		--
0050		VTDD01695		NUT M 8 INX	4,00		--
0051		VTDD01695		NUT M 8 INX	1,00		--
0052		MLML00241		SPRING TESTATA SPAZZOLA P185	2,00		--
0053		LAFN04143		PIN FISSA MOLLA	2,00		--
0054		VTDD01695		NUT M 8 INX	2,00		--
0055		LAFN04139		SPACER SNODO TERGI	1,00		--
0056		VTVT15371		SCREW TE M 8X45 INOX A2 UNI	1,00		--
0057		VTDD01695		NUT M 8 INX	1,00		--
0058		CUVR00130		BEARING STRISCIAMENTO	1,00		--
0059		LAFN07879		BUSHING -	1,00		--
0060		CUVR00130		BEARING STRISCIAMENTO	1,00		--
0061		VTVT01148		SCREW TCEI M8X70	1,00		--
0062		LAFN08809		ARTICULATION -	1,00		--
0063		CMCV00181		TIE ROD M8X100	1,00		--
0064		CMCV00001		FORK UNI 1676 M8X16	1,00		--
0065		CMCV75718		CLIP UNI 1676 M8	1,00		--
0066		LAFN08807		CONNECTING ROD -	1,00		--
0067		LAFN04151		BUSHING X PARALLELOGRAMMA	2,00		--
0068		VTRS15146		WASHER D. 8 INX GRW UNI 1751	2,00		--
0069		VTVT00410		SCREW TE M8x35 UNI5739 INOX	2,00		--
0072		LAFN05769		BALANCER PER CAVI FRENO	1,00		--
0073		MTCR47037		WARP KNITTING 3/8	1,00		--
0074		VTDD15518		NUT M 6 INX	1,00		--
0075		VTRS13945		WASHER D. 6X18 INX UNI 6593	1,00		--
0076		LAFN05767		ASSEMBLED PEDALE FRENO	1,00		--
0077		LAFN04142		PIN PEDALE FRENO	1,00		--
0078		VTVT01350		SCREW M3-20 INOX	2,00		--
0079		MECI44780		MICROSWITCH D2VW-5L2A-1M OMR	1,00		--
0080		LAFN05766		SUPPORT PEDALE CPL	1,00		--
0081		VTRS21116		WASHER D. 3 INX	4,00		--



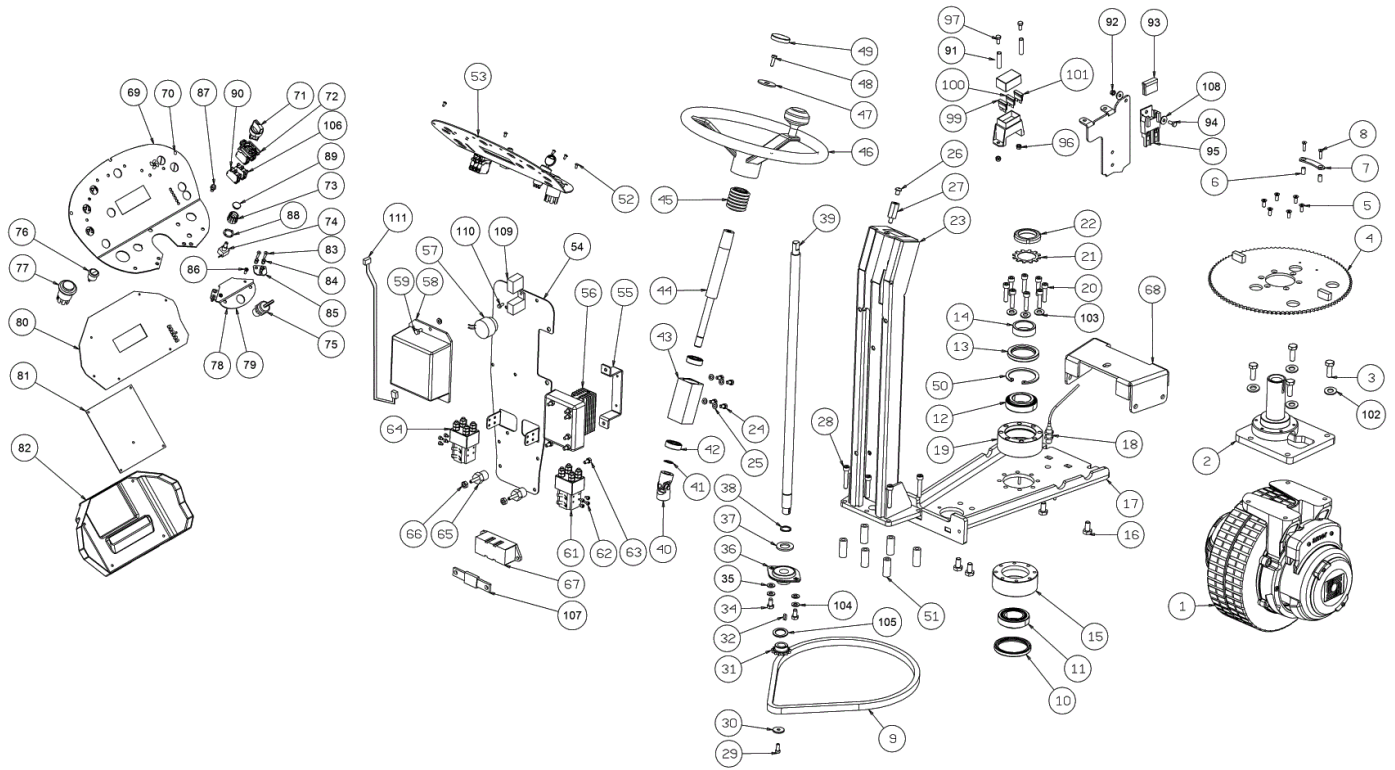
Ref.	K	Part N.	Customer Part N.	Description	Qty	Validity:		Price
						From	To	
0082		VTDD21115		NUT M 3 INOX	2,00			--
0084		VTVT00433		SCREW TE M 6X 30 UNI 5739 INX	1,00			--
0085		MLML00237		SPRING RICHIAMO PEDALE B.F. P185	1,00			--
0086		LAFN51019		PEDALE BLOCCO	1,00			--
0087		VTAE14096		CIRCLIP D. 8 UNI 7435	1,00			--
0088		VTRS13947		WASHER D. 8 INX UNI 6592	1,00			--
0089		VTVT01310		SCREW TCEI 8X60 INOX UNI5931	2,00			--
0090		VTRS13947		WASHER D. 8 INX UNI 6592	2,00			--
0091		MPVR45096		RUBBER V 1201 GR.	1,00			--
0092		CMCV00334		CABLE 4x	1,00			--
0092		VTVT00708		SCREW TE M. 8-40	1,00			--
0093		VTDD01695		NUT M 8 INX	1,00			--
0094		LAFN08885		SPACER -	2,00			--
0095		VTVT00708		SCREW TE M. 8-40	1,00			--
0096		MPVR05839		KNOB -	1,00			--
0097		LAFN04157		BUSHING SNODO FINALE	2,00			--
0098		VTVT01317		SCREW M 5X 12 TSPEI UNI 5933	2,00			--
0099		LAFN09239		SPACER CT230	1,00	12/2012		--



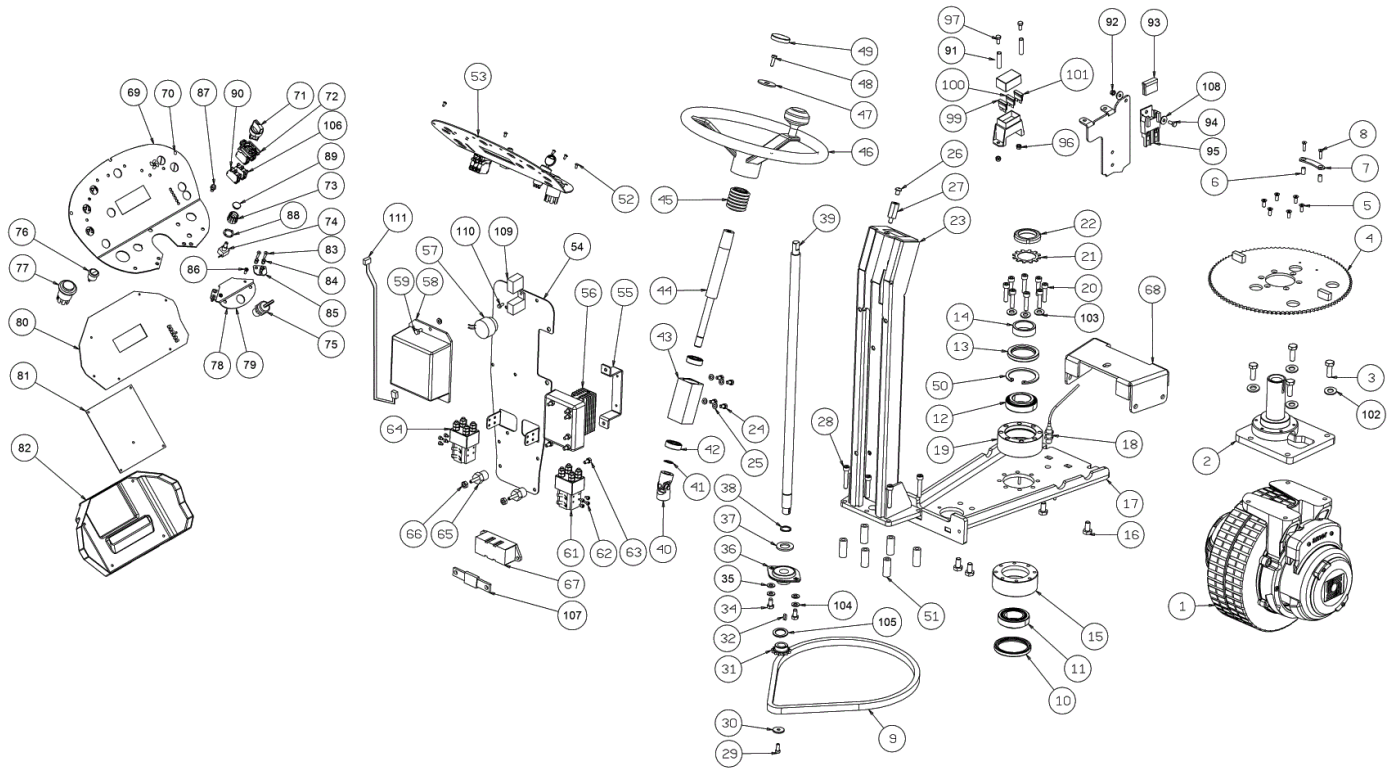
Ref. K	Part N.	Customer Part N.	Description	Qty	Validity:		Price
					From	To	
0001	VTDD00171		NUT M6 INOX	14,00			--
0002	VTRS00245		WASHER D.6 UNI 6592 INOX	16,00			--
0003	LAFN08930		BRACKET -	1,00			--
0004	MPVR05885		BLADE SQUEEGEE FRONT CT230-105	1,00			--
0005	LAFN08929		FLOOR WIPER -	1,00			--
0006	VTDD01695		NUT M 8 INX	2,00			--
0007	RTRT00510		WHEEL ANTIRIBALTAMENTO	4,00			--
0008	MPVR05886		BLADE SQUEEGEE REAR LATEX CT230	1,00			--
0009	LAFN04127		PIN RULLO PARACOLPI	2,00			--
0010	VTRS13946		WASHER D. 8 X24 INX UNI 6593	2,00			--
0011	VTVT67560		SCREW TCEI M8X110 INOX AISI 304	2,00			--
0012	LAFN08931		BRACKET -	1,00			--
0019	GUGO06700		GASKET SQUEEGEE	1,00			--
0020	LAFN08938		CONNECTOR -	1,00			--
0021	VTVT00717		SCREW TCEI M. 6-16	2,00			--
0022	LAFN04137		CONTAINER MOLLE A TAZZA	2,00			--
0023	MLML00245		SPRING A TAZZA	12,00			--
0024	LAFN04121		PIN MOLLE A TAZZA	2,00			--
0025	VTAE13513		CIRCLIP D. 26 UNI 7437	2,00			--
0026	CHVR00500		HANDLE A RIPRESA M8x40	2,00			--
0027	VTVT00433		SCREW TE M 6X 30 UNI 5739 INX	2,00			--
0028	VTRS13947		WASHER D. 8 INX UNI 6592	2,00			--
0029	MPVR06002		DUCT LOCK FLAP CT230	2,00			--



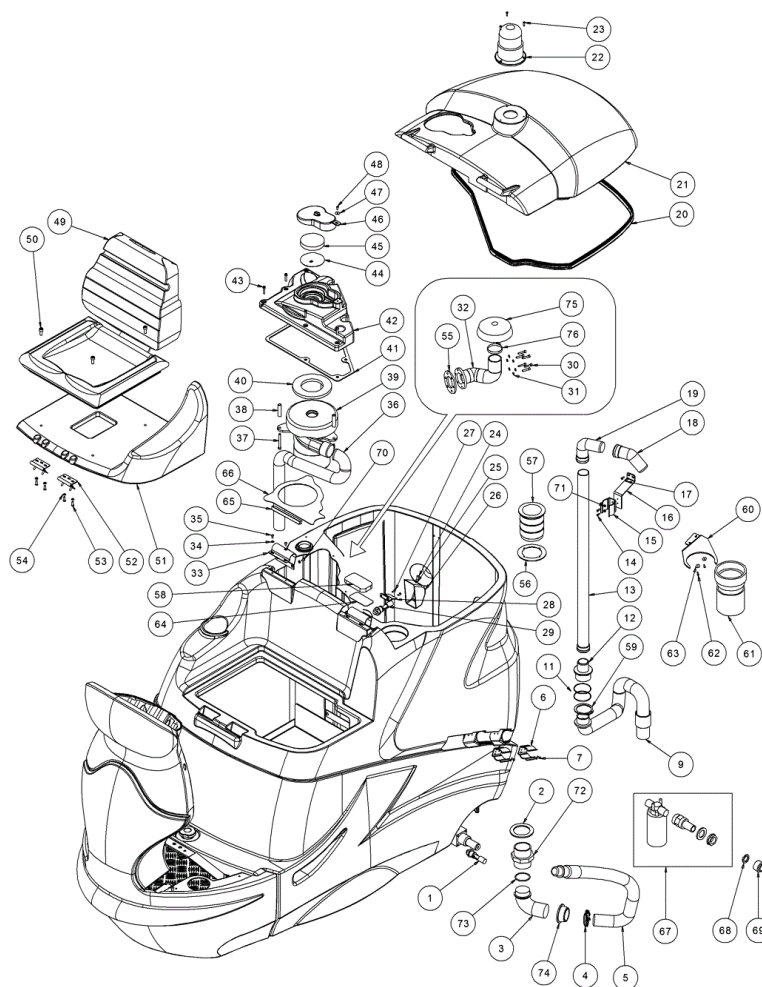
Ref.	K	Part N.	Customer Part N.	Description	Qty	Validity:		Price
						From	To	
0001		MOCC00407		MOTOR ELECTRIC TRAC.-WHEEL 230	1,00			--
0001		RTRT00442		WHEEL -	1,00			--
0001		MEVR34439		CARBON 10X18X19	4,00			--
0001		MOCC00385		DRIVE ASSEMBLY -	1,00			--
0002		LAFN06994		SPACER -	1,00			--
0003		VTVT01541		SCREW TE M 10x30 INOX UNI5739	4,00			--
0004		LAFN06995		BRAKE -	1,00			--
0005		VTVT13940		SCREW M 6X 20 TSPEI UNI 5933	6,00			--
0006		LAFN03742		SPACER SILENZIATORE	2,00			--
0007		LAFN08836		BRACKET -	1,00			--
0008		VTVT15962		SCREW M 5X 25 TSPEI UNI 5933	2,00			--
0009		MTCR00085		CHAIN 3/8"	1,00			--
0010		PVVR00044		GASKET -	1,00			--
0011		CUVR00187		BEARING -	1,00			--
0012		CUVR00187		BEARING -	1,00			--
0013		PVVR00045		GASKET -	1,00			--
0014		LAFN08828		BUSHING -	1,00			--
0015		LAFN08830		BUSHING -	1,00			--
0016		VTVT13936		SCREW TE M 10X 20	4,00			--
0017		LAFN06993		PLATE -	1,00			--
0018		MECI00535		SENSOR -	1,00			--
0019		LAFN08829		RING -	1,00			--
0020		VTVT01310		SCREW TCEI 8X60 INOX UNI5931	8,00			--
0021		VTRS00572		WASHER -	1,00			--
0022		VTVR00563		RING NUT -	1,00			--
0023		LAFN05787		ASSEMBLED PIANTONE	1,00			--
0024		VTVT15906		SCREW TE 6X 12 A2 UNI 5739	4,00			--
0025		VTRS00245		WASHER D.6 UNI 6592 INOX	4,00			--
0026		VTVT47025		SCREW TBEI M 10X 16 ISO 7380 ZB	1,00			--
0027		LAFN00474		PIN FISS.COFANURE SIRIO L.45	1,00			--
0028		VTVT01310		SCREW TCEI 8X60 INOX UNI5931	6,00			--
0029		VTVT00717		SCREW TCEI M. 6-16	1,00			--
0030		LAFN04134		WASHER PIGNONE STERZO	1,00			--
0031		MTCR00070		PINION ALBERO STERZO P185	1,00			--
0032		VTVR00229		KEY 5X5X12	1,00			--
0034		VTVT15916		SCREW TE M 8X 16 UNI 5739 A2	2,00			--
0035		VTRS13947		WASHER D. 8 INX UNI 6592	2,00			--
0036		CUVR00105		SUPPORT -	1,00			--
0037		LAFN07029		SPACER -	1,00			--



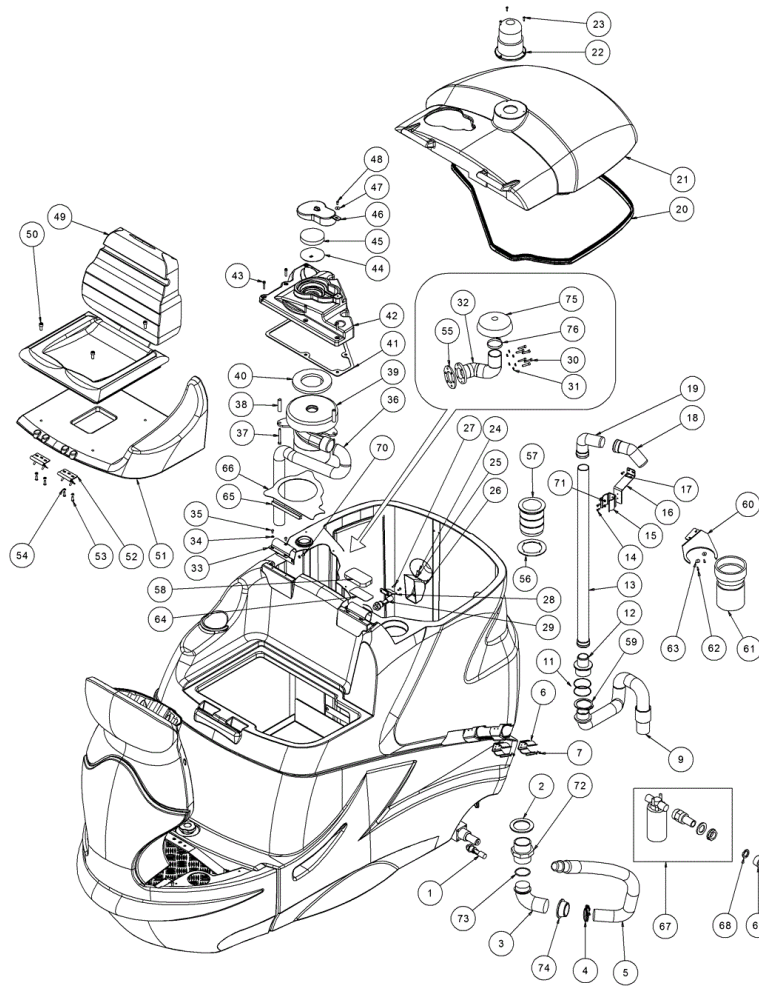
Ref.	K	Part N.	Customer Part N.	Description	Qty	Validity:		Price
						From	To	
0038		VTAE06193		CIRCLIP D. 20 UNI 7435	1,00			--
0039		LAFN08820		SHAFT -	1,00			--
0040		VTVR00057		ARTICULATION CARDANICO	1,00			--
0041		VTAE17003		CIRCLIP D. 15 UNI 7435	1,00			--
0042		CUVR17004		BALL BEARING 6202 -2RS1	2,00			--
0043		LAFN04133		HUB ALBERO STERZO	1,00			--
0044		LAFN04076		SHAFT STERZO SUPERIORE P185	1,00			--
0045		MPVR51068		PROTECTOR STERZO CLT 160	1,00			--
0046		MPVR01517		STEERING WHEEL	1,00			--
0047		VTRS44254		WASHER D.10 X40X2.5 UNI6593	1,00			--
0048		VTVT47025		SCREW TBEI M 10X 16 ISO 7380 ZB	1,00			--
0049		MPVR47026		BLACK CAP L.14	1,00			--
0050		VTAE00081		CIRCLIP -	1,00			--
0051		LAFN08885		SPACER -	6,00			--
0052		VTVT00881		SCREW TC+ M4x6 TRILOBATA INOX	4,00			--
0053		MECE00522		BOARD CT230	1,00			--
0054		LAFN08876		SUPPORT -	1,00			--
0055		LAFN08877		SUPPORT -	1,00			--
0056		MECE00526		BOARD POWER SERVICE CT160-CT230	1,00			--
0057		MEVR01436		BUZZER -	1,00			--
0058		MECE00525		BOARD TRACTION CURTIS 36V 160A	1,00			--
0059		VTVT07725		SCREW TE 5X16 UNI5739 INX	3,00			--
0061		METT00086		CONTACTOR 100A	1,00			--
0062		VTVT00881		SCREW TC+ M4x6 TRILOBATA INOX	4,00			--
0063		VTVT15906		SCREW TE 6X 12 A2 UNI 5739	2,00			--
0064		METT00086		CONTACTOR 100A	1,00			--
0065		MEVR47082		INSULATOR M6 35-CH32	2,00			--
0067		MEVR00146		FUSE-HOLDER MEGA	1,00			--
0068		LAFN08813		PLATE -	1,00			--
0069		ETET01663		LABEL -	1,00			--
0070		LAFN08851		SUPPORT -	1,00			--
0071		MEVR02011		SELECTOR -	1,00			--
0072		MEVR02038		SUPPORT	1,00			--
0073		MEVR01575		CAP 2202	1,00			--
0074		MEVR01941		POTENTIOMETER 100K	1,00			--
0075		MECI75805		SWITCH TK	1,00			--
0076		MECI00556		SWITCH -	1,00			--
0077		MECI00028		BUTTON DI EMERGENZA TK1400 24V	1,00			--
0078		ETET01664		LABEL -	1,00			--



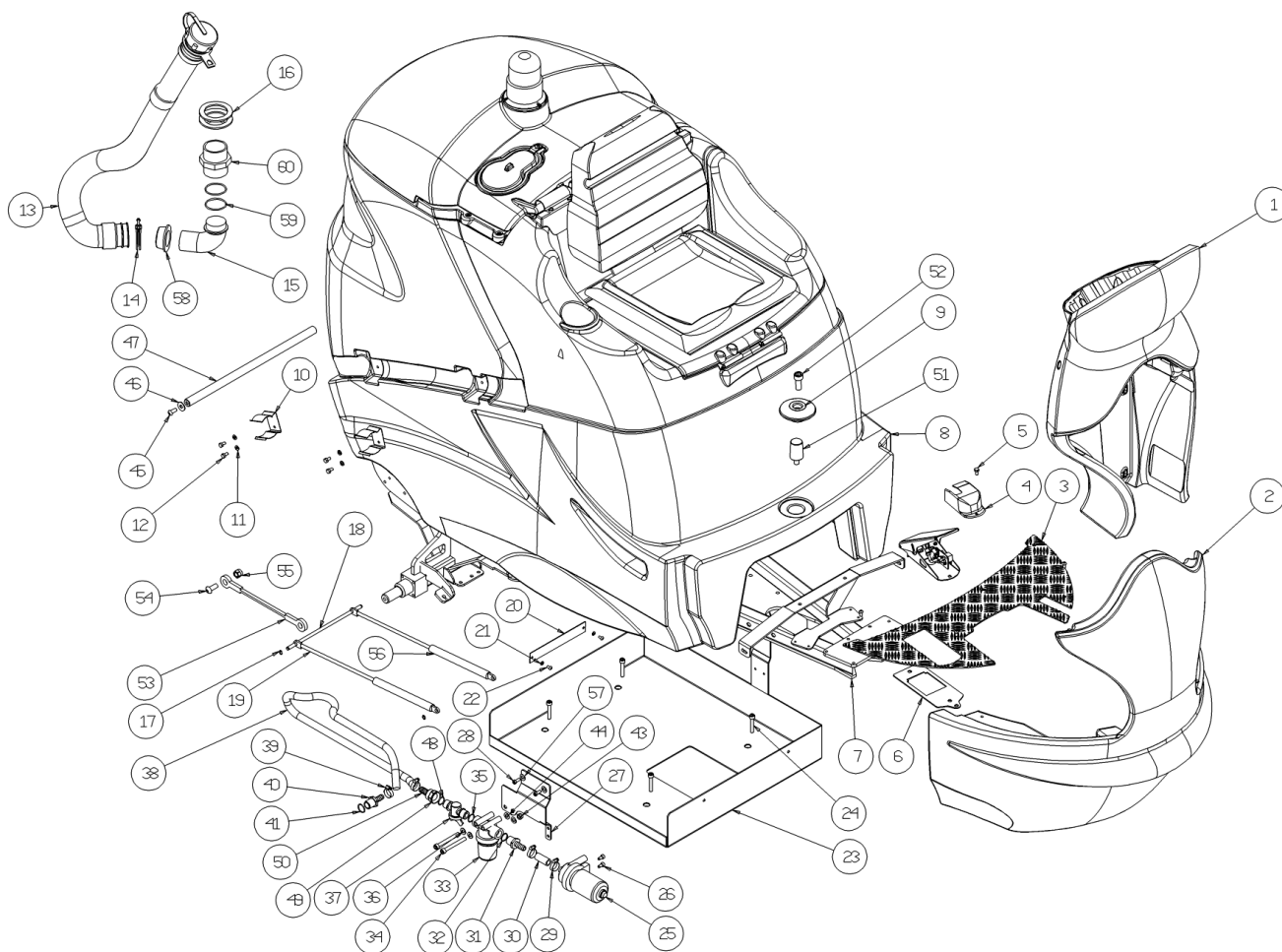
Ref.	K	Part N.	Customer Part N.	Description	Qty	Validity:		Price
						From	To	
0079		LAFN08869		SUPPORT -	1,00			--
0080		MECE00531		BOARD DISPLAY CT160-CT230	1,00			--
0081		MECE00532		BOARD LOGIC CT160-CT230 CURTIS	1,00			--
0082		MPVR05840		COVER -	1,00			--
0083		VTVT16939		SCREW M 4X 16 TSPEI UNI 5933	4,00			--
0084		VTVR00306		INSERT FILETTATO ESAGONALE M5	6,00			--
0085		LAFN08870		BRACKET -	2,00			--
0086		VTVT15965		SCREW TCB-TC 4X12 UNI7687 INX	2,00			--
0087		MEVR01974		LED -	1,00			--
0088		MEVR01574		RING NUT 2204	1,00			--
0089		MEVR01573		SMALL KNOB 2200 V6	1,00			--
0090		MEVR02012		CONTACT -	2,00			--
0091		LAFN06735		SPACER 6-8 H31.5	2,00			--
0092		VTDD01693		NUT M 5 INX	1,00			--
0093		MEVR00644		FUSE MAXIVAL 30A	1,00	10/2011		--
0093		MEVR02048		FUSE 40A	1,00		10/2011	--
0094		VTVT01300		SCREW TE M5X12 INOX	1,00			--
0095		MEVR00613		FUSE CARRIER MAXIVAL with cover	1,00			--
0096		VTDD01693		NUT M 5 INX	2,00			--
0097		VTVT15926		SCREW TE 5X40 UNI5739 INOX	2,00			--
0099		MEVR01132		FUSE A LAMA 5 A.	1,00			--
0100		MEVR01132		FUSE A LAMA 5 A.	1,00			--
0101		MEVR01132		FUSE A LAMA 5 A.	1,00			--
0102		VTRS15523		WASHER D.10 X21 INOX UNI 6592	4,00			--
0103		VTRS13947		WASHER D. 8 INX UNI 6592	8,00			--
0104		VTRS15146		WASHER D. 8 INX GRW UNI 1751	2,00			--
0105		LAFN07030		SPACER -	1,00			--
0106		MEVR02039		CONTACT	2,00			--
0107		MEVR01925		FUSE 150A	1,00			--
0108		VTRS00516		WASHER D. 5 INX	2,00			--
0109		MECE00456		RELAY CT110	1,00	10/2011		--
0110		VTVT01300		SCREW TE M5X12 INOX	1,00	10/2011		--
0111		MECB01319		WIRING CURTIS	1,00	12/2012		--



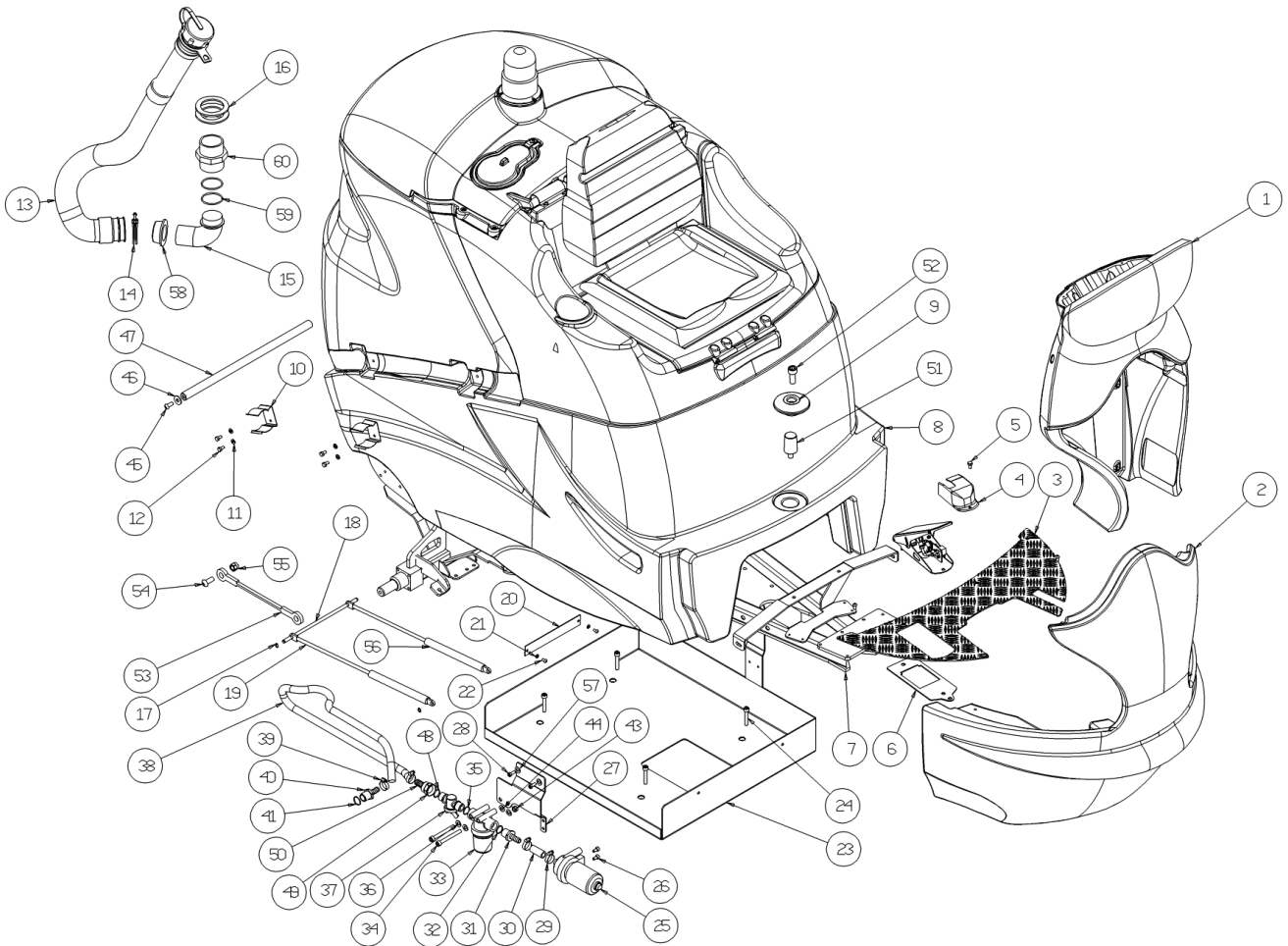
Ref.	K	Part N.	Customer Part N.	Description	Qty	Validity:		Price
						From	To	
0001		MECI00533		SENSOR VS303-51N	1,00			--
0002		GUGO00216		GASKET ACQUA SPORCA	1,00			--
0003		RCVR00718		REDUCTION MASCHIO/MASCHIO	1,00		07/2011	--
0003		RCVR00774		CONNECTOR 90°	1,00	07/2011		--
0004		FSVR00095		CLAMP 30-45	1,00			--
0005		TBBP00391		TUBE -	1,00			--
0006		MPVR46988		CLIP LAV. SHK	2,00			--
0007		VTVT15965		SCREW TCB-TC 4X12 UNI7687 INX	4,00			--
0009		TBFX00300		TUBE	1,00		05/2013	--
0009		TBFX00364		TUBE CT230 PU	1,00	05/2013		--
0011		GUGO00445		O-RING -	2,00			--
0012		LAFN07017		CONNECTOR -	1,00			--
0013		TBBP00480		TUBE -	1,00			--
0014		VTVT00817		SCREW TE M4x12 UNI 5739 INOX	2,00			--
0015		FSVR44166		HOSE CLIP D.50	1,00			--
0016		LAFN07009		BRACKET -	1,00			--
0017		VTVT15961		SCREW M 5X 16 TCB TC UNI 7687	2,00			--
0018		RCVR00765		CONNECTOR -	1,00			--
0019		RCVR00764		CONNECTOR -	1,00			--
0020		GUVR00268		GASKET CT230	1,00			--
0021		MPVR05026		COVER RECOVERY TANK LID CT230	1,00			--
0022		MELF00040		FLASHING LIGHT	1,00			--
0023		VTVT00752		SCREW TC+ M.4,8-19	3,00			--
0024		VTVT01150		SCREW 4x10	1,00			--
0025		VTRS00570		WASHER -	1,00			--
0026		MPVR05596		PROTECTION -	1,00			--
0027		VTVT07725		SCREW TE 5X16 UNI5739 INX	2,00			--
0028		LAFN08835		BRACKET -	1,00			--
0029		MECI00566		SENSOR -	1,00			--
0030		VTVT07725		SCREW TE 5X16 UNI5739 INX	6,00			--
0031		VTRS00516		WASHER D. 5 INX	6,00			--
0032		MPVR05025		TUBE -	1,00		11/2011	--
0032		MPVR06012		TUBE CT230	1,00	11/2011		--
0033		LAFN06998		HINGE -	2,00			--
0034		VTRS13750		WASHER D. 5X14 INX	8,00			--
0035		VTVT00805		SCREW TBEI M. 5-10	4,00			--
0036		TBFX00344		TUBE CT230	1,00			--
0037		VTVT01310		SCREW TCEI 8X60 INOX UNI5931	3,00			--
0038		LAFN03760		SPACER RUOTA	3,00			--



Ref.	K	Part N.	Customer Part N.	Description	Qty	Validity:		Price
						From	To	
0039		MOCC00271		MOTOR ASPIR.BIST.36V E-12416-2	1,00			--
0040		GUGO00272		GASKET VACUUM MOTOR CT	1,00			--
0041		GUVR00269		GASKET -	1,00			--
0042		MPVR05027		COVER	1,00			--
0043		VTVT00657		SCREW TCEI M. 5-30	5,00			--
0044		LAFN06999		NET -	1,00			--
0045		FTDP00186		FILTER	1,00			--
0046		MPVR05031		CAP -	1,00			--
0047		VTRS00251		WASHER 4-16 INOX A2	1,00			--
0048		VTVT15965		SCREW TCB-TC 4X12 UNI7687 INX	1,00			--
0049		SESD45981		SEAT SC 73 L.14	1,00			--
0050		VTVT13938		SCREW TE 8X20 UNI5739 INX	2,00			--
0051		MPVR05029		PEDAL	1,00			--
0052		CEVR00060		HINGE PORTA SEDILE P185	2,00			--
0053		VTVT01300		SCREW TE M5X12 INOX	8,00			--
0054		VTRS13750		WASHER D. 5X14 INX	8,00			--
0055		GUGO00307		GASKET TENUTA TAPPO	1,00			--
0056		GUGO00267		GASKET FILTRO	1,00			--
0057		FTAC48857		FILTER ASP. ACQUA SERB. LAVAP.	1,00			--
0058		GUVR01010		GASKET -	1,00			--
0059		VTAE00082		CIRCLIP D. 50 UNI 7435	1,00			--
0060		LAFN08976		BRACKET -	1,00			--
0061		KTRI15043		WATER FILTER DIRTY INLET TANK	1,00			--
0062		VTVT00727		SCREW TE M. 4-20	2,00			--
0063		VTRS00251		WASHER 4-16 INOX A2	2,00			--
0064		LAFN09008		SHEET METAL PA.-	1,00			--
0065		KTRI02014		KIT -	1,00			--
0066		LAFN08923		BULKWARD -	1,00			--
0067		RCVR00766		SENSOR ACQUASTOP AUTO FILLING	1,00			--
0068		GUVR01011		GASKET 1/2"	1,00			--
0069		RCVR00103		JOINT R 1/2"	1,00			--
0070		VTVT01300		SCREW TE M5X12 INOX	4,00			--
0071		VTRS00515		WASHER D. 4 INX	2,00			--
0072		RCVR00778		NIPPLE 1"1/2	1,00	07/2011		--
0073		GUGO00319		O-RING 1"1/2	1,00	07/2011		--
0074		RCVR00776		CONNECTION 1" 1/2	1,00	07/2011		--
0075		MPVR06015		COVER -	1,00	11/2011		--
0076		FSVR00033		CLAMP 45-60	1,00	11/2011		--

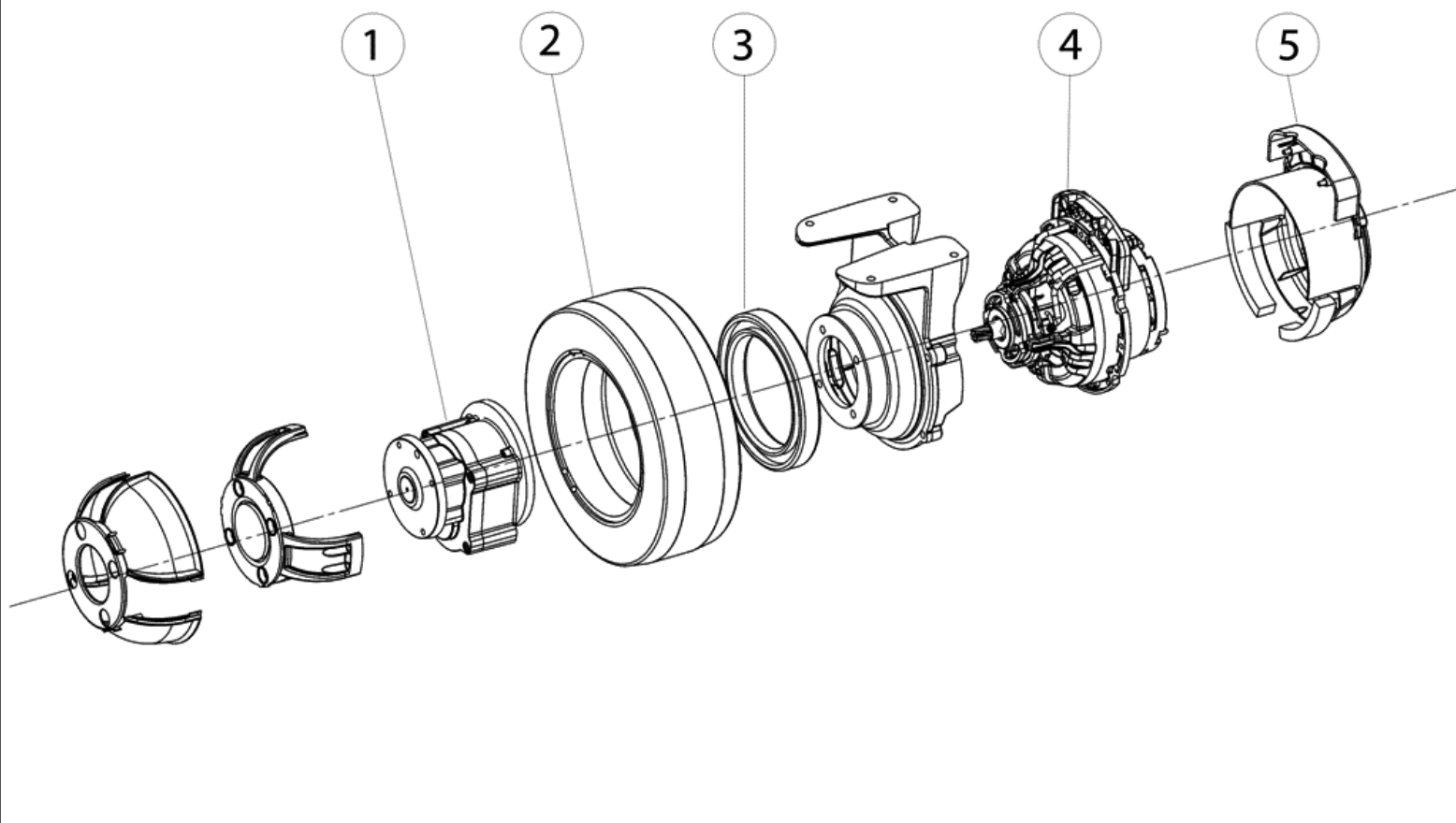


Ref.	K	Part N.	Customer Part N.	Description	Qty	Validity:		Price
						From	To	
0001		MPVR05819		SIDE PANEL -	1,00			--
0002		MPVR05028		BODY SIDE	1,00			--
0003		LAFN07015		PLANE -	1,00			--
0004		MPVR00302		CRANKCASE PEDALE AVANZAMENTO	1,00			--
0005		VTVT15906		SCREW TE 6X 12 A2 UNI 5739	2,00			--
0006		LAFN07001		FLANGE -	1,00			--
0007		LAFN06991		FRAME -	1,00			--
0008		KTRI02057		KIT TANK 230	1,00			--
0009		MPVR05949		FLANGE CT230	1,00			--
0010		FSVR44166		HOSE CLIP D.50	2,00			--
0011		VTRS00245		WASHER D.6 UNI 6592 INOX	4,00			--
0012		VTVT15906		SCREW TE 6X 12 A2 UNI 5739	4,00			--
0013		TBBP00388		TUBE -	1,00		10/2012	--
0013		TBBP00487		TUBE DRAIN PU CT230	1,00	10/2012		--
0014		FSVR00033		CLAMP 45-60	1,00			--
0015		RCVR00719		REDUCTION MASCHIO/MASCHIO	1,00		07/2011	--
0015		RCVR00775		CONNECTOR 90°	1,00	07/2011		--
0016		GUVR00271		GASKET X RACCORDO 2"	2,00			--
0017		VTAE00083		CIRCLIP D. 8	6,00			--
0018		LAFN07011		PIN -	1,00			--
0019		MLML00296		PISTON -	1,00			--
0020		LAFN07010		BRACKET -	3,00			--
0021		VTRS13750		WASHER D. 5X14 INX	6,00			--
0022		VTVT15961		SCREW M 5X 16 TCB TC UNI 7687	6,00			--
0023		LAFN06992		CONTAINER -	1,00			--
0024		VTVT00889		SCREW TCEI M. 8-45	4,00			--
0025		PPEL00025		PUMP EST. 36V	1,00			--
0026		VTVT15906		SCREW TE 6X 12 A2 UNI 5739	2,00			--
0027		LAFN07008		BRACKET -	1,00			--
0028		VTVT13939		SCREW TE 6X20 UNI5739 INX	2,00			--
0031		RCVR00540		CONNECTOR	1,00			--
0032		GUGO36290		O-RING D. 17.04 X 3.53 NBR 70SH	1,00			--
0033		FTAC00038		FILTER G1/2 INOX	1,00			--
0034		VTVT00699		SCREW TE M. 6-70	2,00			--
0035		GUGO36290		O-RING D. 17.04 X 3.53 NBR 70SH	1,00			--
0036		VTRS00245		WASHER D.6 UNI 6592 INOX	2,00			--
0037		RCGR00078		TAP -	1,00			--
0040		RCVR00542		CURVED CONNECT.M G1/2 PORTAG. 113-2213	1,00			--
0041		GUGO31088		O-RING D. 12 X 2.50 NBR 70SH	1,00			--

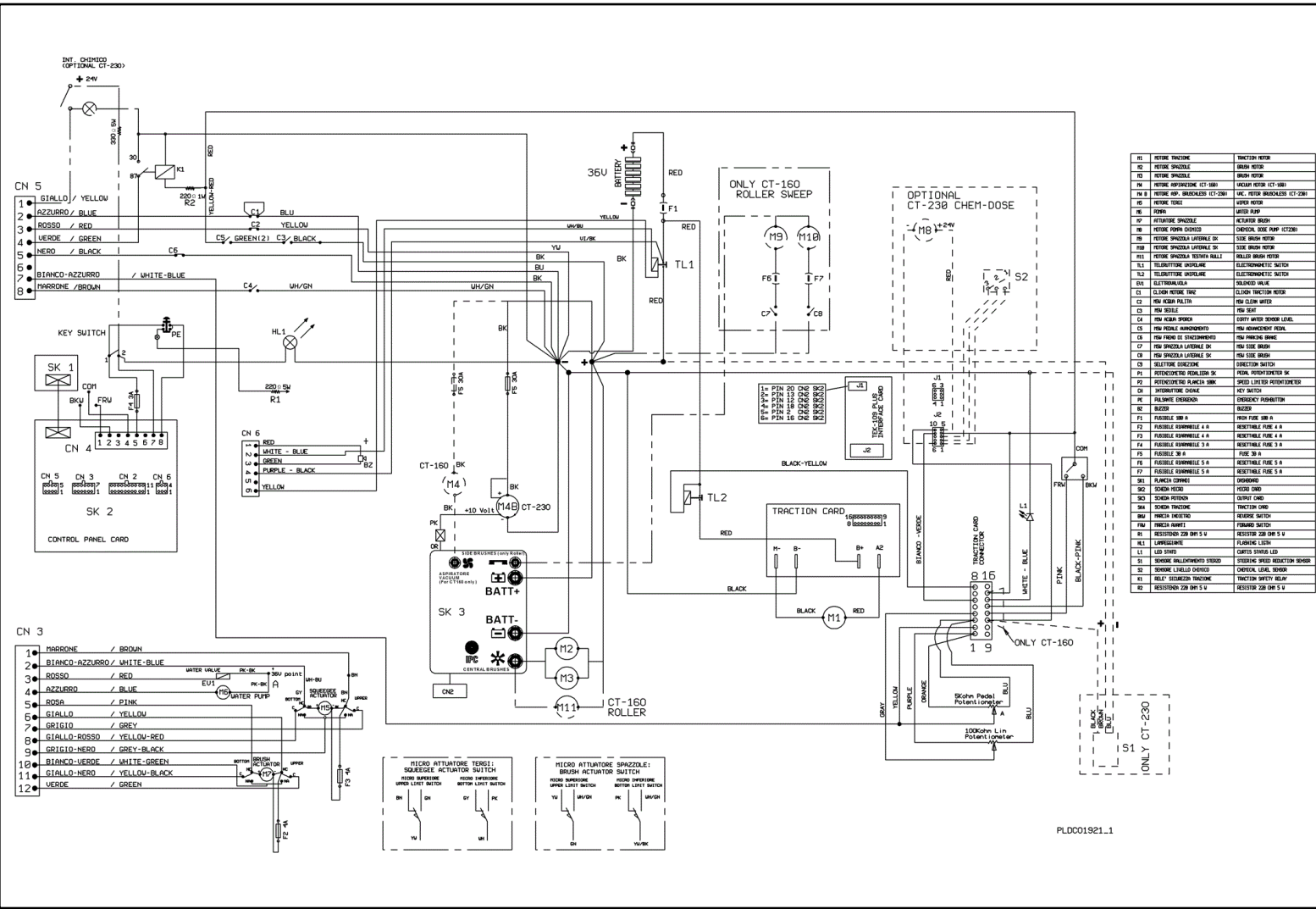


Ref.	K	Part N.	Customer Part N.	Description	Qty	Validity:		Price
						From	To	
0042		VTVT00640		SCREW TBEI M 6-12 INOX	4,00			--
0043		VTDD01694		NUT M6 INOX	2,00			--
0044		VTRS13945		WASHER D. 6X18 INX UNI 6593	2,00			--
0045		VTVT00779		SCREW TBEI M.8-16	2,00			--
0046		VTRS16323		WASHER D. 8 X32 UNI 6593 INX	2,00			--
0047		LAFN07007		PIN -	1,00			--
0048		GUGO00427		GASKET -	1,00			--
0049		MPVR05240		RING NUT G1/2	1,00			--
0050		RCVR00744		CONNECTOR -	1,00			--
0051		LAFN07014		PIN -	1,00			--
0052		VTVT00307		SCREW TCEI M10X30	1,00			--
0053		CMCV00455		CABLE -	2,00			--
0054		VTVT01195		SCREW TBEI M 8X 25 ISO 7380 IX	2,00			--
0055		VTDD01695		NUT M 8 INX	2,00			--
0056		MLML00330		SPRING -	1,00			--
0057		VTRS13945		WASHER D. 6X18 INX UNI 6593	2,00			--
0058		RCVR00777		CONNECTION 2"	1,00	07/2011		--
0059		GUGO00320		O-RING 2"	2,00	07/2011		--
0060		RCVR00779		NIPPLE 2"	1,00	07/2011		--





Ref. K	Part N.	Customer Part N.	Description	Qty	Validity:		Price
					From	To	
0001	RDGR00039		REDUCTION UNIT -	1,00			--
0002	RTRT00442		WHEEL -	1,00			--
0003	CUVR00194		BEARING 61926 2RS	1,00			--
0004	MOCC00407		MOTOR ELECTRIC TRAC.-WHEEL 230	1,00			--
0005	MPVR04999		CAP	1,00			--



Ref.	K	Part N.	Customer Part N.	Description	Qty	Validity: From To	Price
EV1		MEEV00021		SOLENOID VALVE RIF. D160SS10/K/20Z	1,00		--
M1		MOCC00385		DRIVE ASSEMBLY -	1,00		--
M2		MOCC00195		MOTOR	1,00		--
M3		MOCC00195		MOTOR	1,00		--
M5		MOCC00394		ATUATOR	1,00		--
M7		MOCC00388		ATUATOR	1,00		--
SK2		MECE00532		BOARD LOGIC CT160-CT230 CURTIS	1,00		--
SK3		MECE00526		BOARD POWER SERVICE CT160-CT230	1,00		--
TC		MECE00525		BOARD TRACTION CURTIS 36V 160A	1,00		--
TL1		METT00086		CONTACTOR 100A	1,00		--
TL2		METT00086		CONTACTOR 100A	1,00		--