



Electronic Service Manuals

This electronic document is provided as a service to our customers. We do not create the contents of the information contained in this document. Should you have detailed questions pertaining to the information contained in this document, you may contact Michco, or the manufacturer which provided the original information in this electronic deliverable. Michco's only part in this electronic deliverable was the electronic assembly process. By providing this manual on line we are not guaranteeing parts availability.

You may contact Michco through the following methods:

Phone (517) 484-9312 or (800) 331-3339

2011 N. High St. -- Lansing, Michigan -- 48906

Fax: (517) 484-9836

Email: CustServe@Michco.com

Web site: www.Michco.Com

Parts Web site: www.FloorMachineParts.Com

Order Parts on Line at:

www.FloorMachineParts.Com

Directly to Parts & Service:

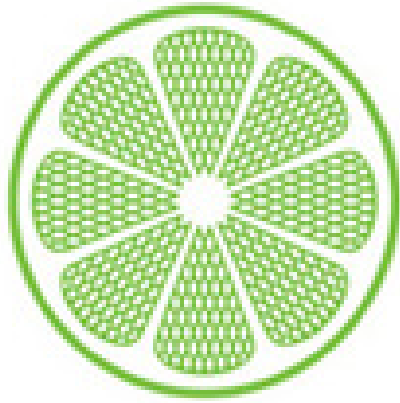
By Email: **Shop@Michco.com**

By Fax: (517) 702-2041

By Voice: Use numbers above.

Serving the Cleaning Industry Since 1922

Notice: All copyrighted material remains property of original owners, all trademarks are property of respective owners. Manuals are subject to Manufacturer's reproduction limitations. Originals or reproductions were provided by manufacturers through a request. We make no warranty as to the correctness of information provided in this document and you assume all risk. By placing these manuals on line we are not declaring our corporation to be an manufacturer authorized dealer or provider, please check our web site for authorized manufacturers we represent.



IPC Integrated Professional Cleaning

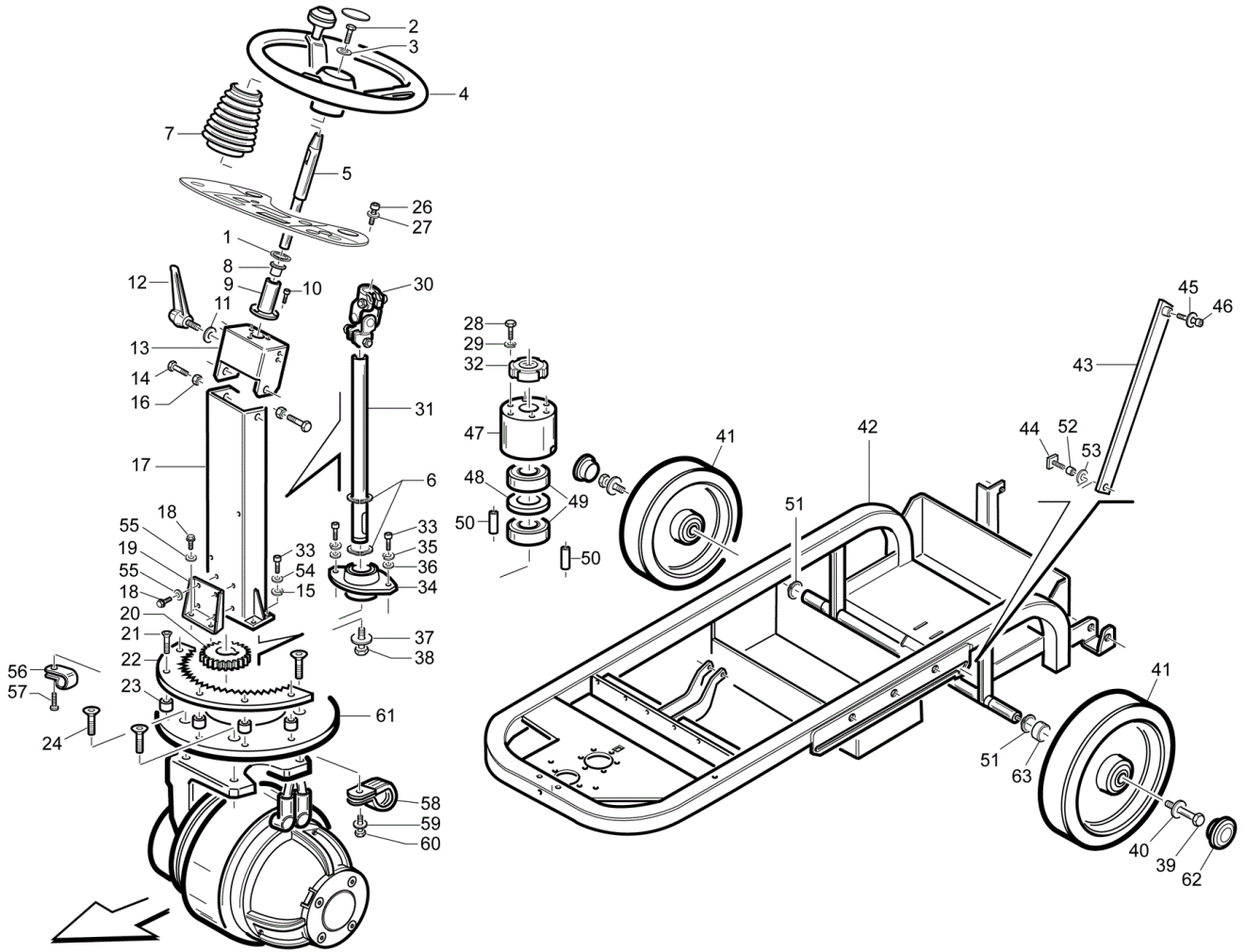
IPC Gansow

Spare Parts List

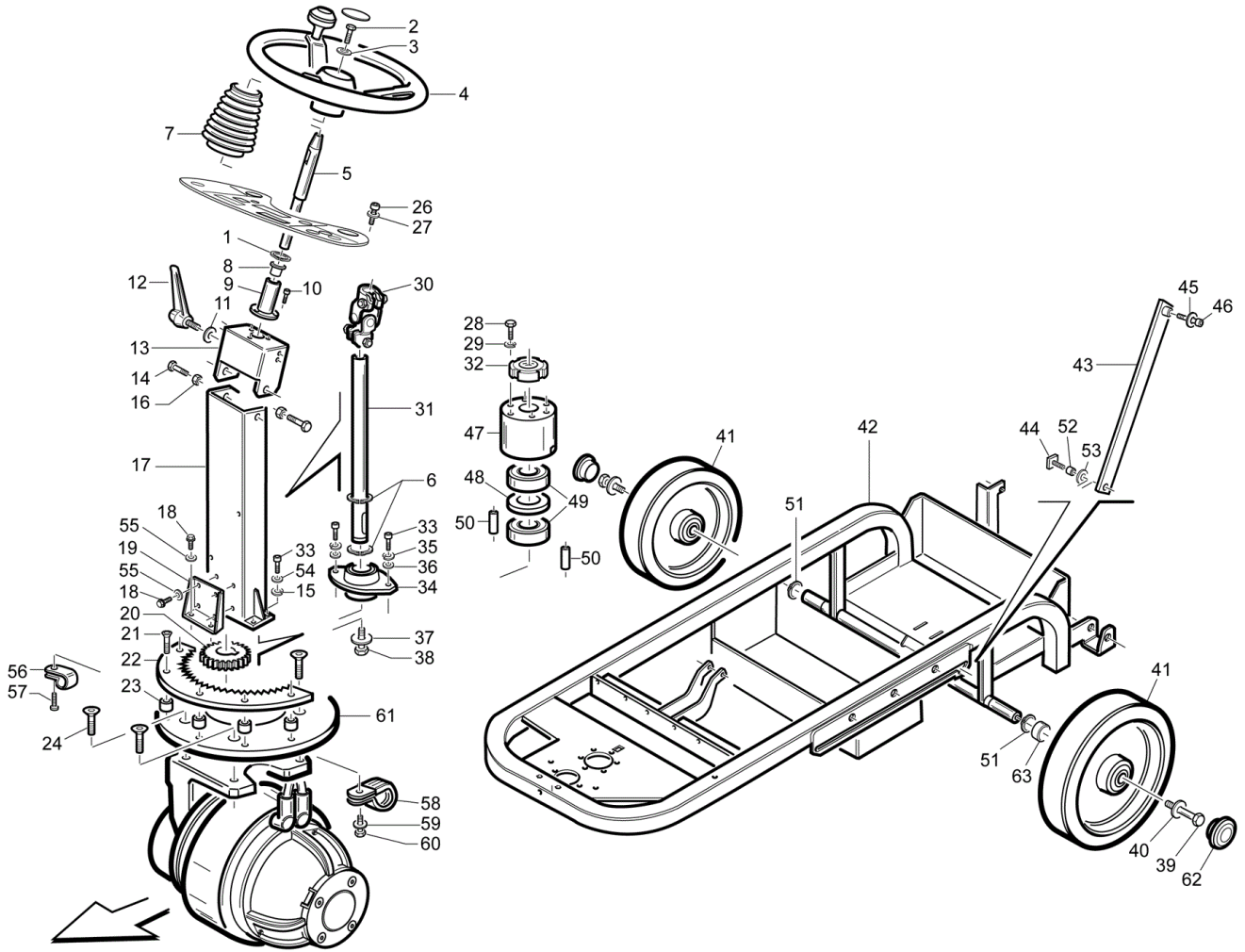
IPC EAGLE

Ref: LPTB01311

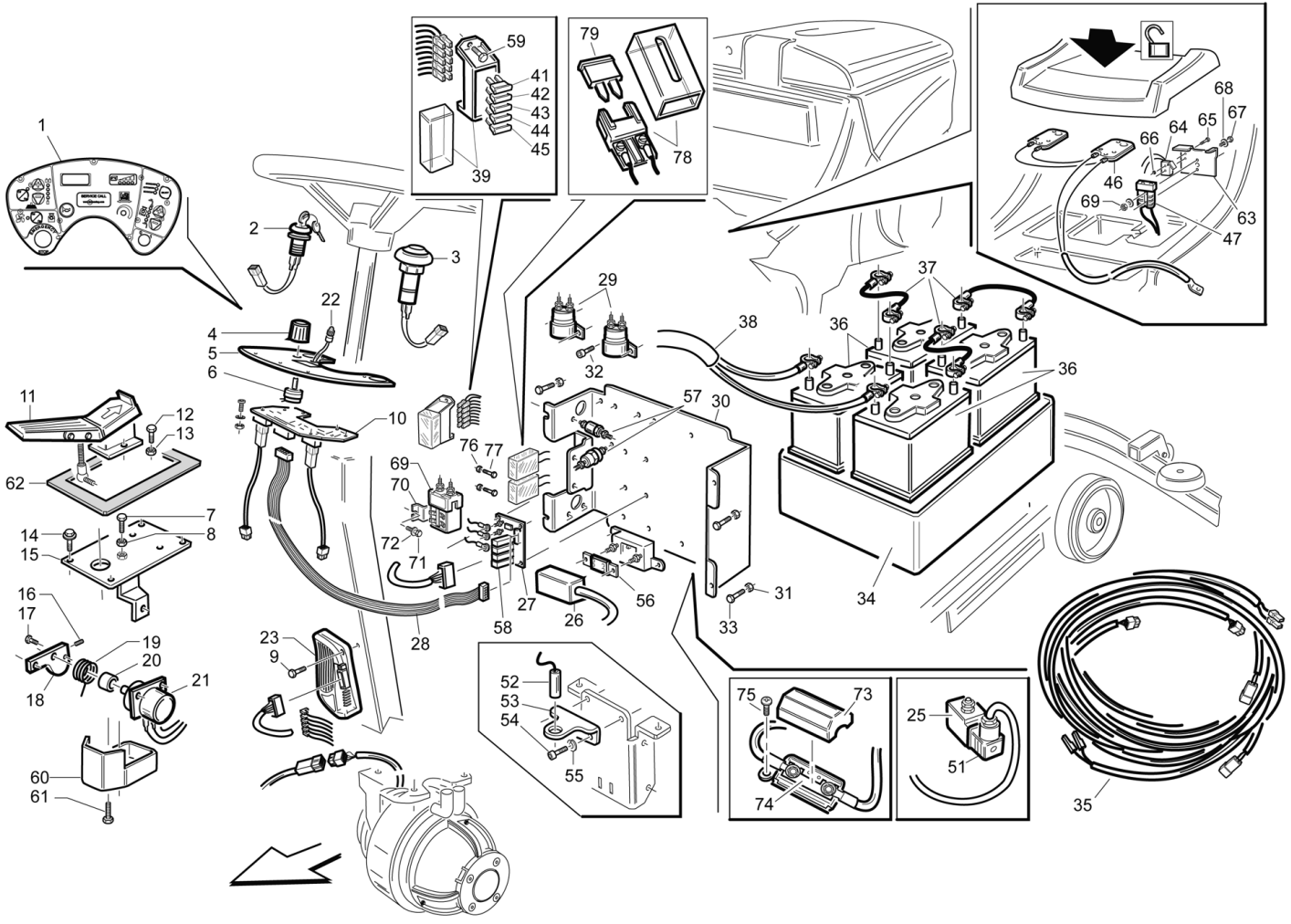
Model: CT110 BT70 GR/VE



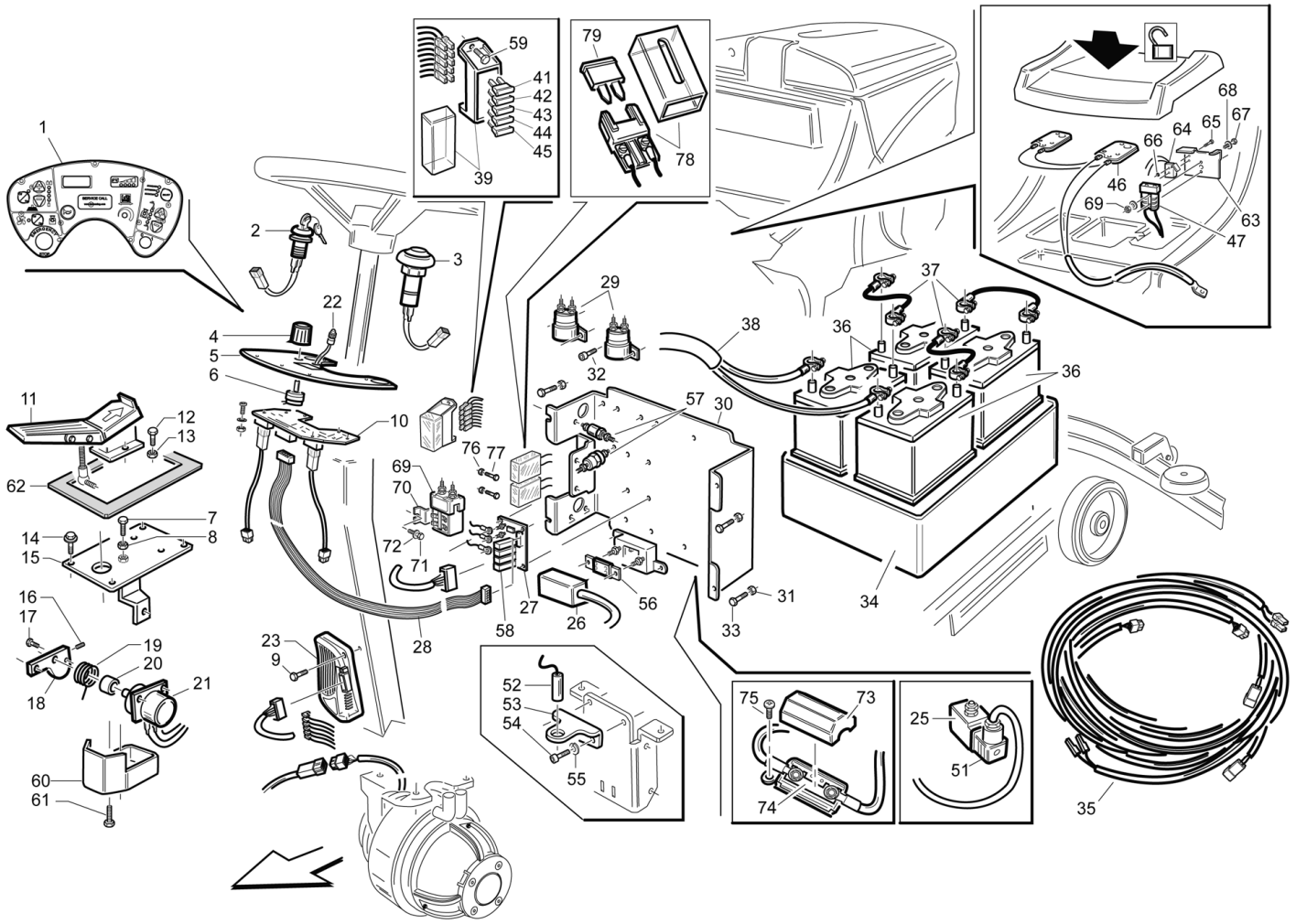
Ref.	K	Part N.	Customer Part N.	Description	Qty	Validity:		Price
						From	To	
0001		VTAE17003		CIRCLIP D. 15 UNI 7435	2,00			--
0002		VTVT00457		SCREW TE M 10X30 ZINC. UNI 5739	1,00			--
0003		VTRS44254		WASHER D.10 X40X2.5 UNI6593	1,00			--
0004		MPVR47027		STEERING WHEEL D. 320 L.14	1,00			--
0005		ALTR00031		SHAFT PER VOLANTE TK 1050 ZINC.	1,00			--
0006		VTAE00032		SEEGER 20	2,00			--
0007		MPVR05237		PROTECTOR -	1,00			--
0008		LAFN75841		BUSHING TK 1000	2,00			--
0009		LAFN00149		BUSHING PORTA PIANTONE TK1050 ZIN	1,00			--
0010		VTVT62920		SCREW TE F/ROND. M 6X 16 ZB	3,00			--
0011		VTRS13946		WASHER D. 8 X24 INX UNI 6593	1,00			--
0012		MPVR05250		HANDLE M8X25	1,00			--
0013		KTRI02058		KIT REGOLAZIONE STERZO CT110	1,00			--
0014		VTVT13936		SCREW TE M 10X 20	2,00			--
0015		VTRS13947		WASHER D. 8 INX UNI 6592	4,00			--
0016		VTDD00493		NUT M10 TEF	2,00			--
0017		LAFN06362		UP STEERING CT110	1,00			--
0018		VTVT13939		SCREW TE 6X20 UNI5739 INX	6,00	03/2010		--
0018		VTVT15143		SCREW TE 6X16 UNI5739	6,00		03/2010	--
0019		LAFN06508		BRACKET PIANTONE	1,00			--
0020		LAFN06377		PINION STERZO	1,00			--
0021		VTVT00062		SCREW TSCE UNI 5933 6X25 ZB	5,00			--
0022		LAFN06373		BRAKE CT110	1,00			--
0023		LAFN06844		SPACER CORONA	5,00			--
0024		VTVT00263		SCREW TSPEI M10x30	4,00			--
0026		VTVT37012		SCREW M 4X 10 TCB-TC INX	5,00			--
0027		VTRS00515		WASHER D. 4 INX	5,00			--
0028		VTVT00410		SCREW TE M8x35 UNI5739 INOX	5,00			--
0029		VTRS15146		WASHER D. 8 INX GRW UNI 1751	5,00			--
0030		VTVR00057		ARTICULATION CARDANICO	1,00			--
0031		LAFN06374		SHAFT STERZO	1,00			--
0032		VTVR75747		RING NUT AUTOBLOK M 35 X 1,5 GUK	1,00			--
0033		VTVT13938		SCREW TE 8X20 UNI5739 INX	4,00			--
0034		CUVR00105		SUPPORT	1,00			--
0035		VTRS15146		WASHER D. 8 INX GRW UNI 1751	2,00			--
0036		VTRS13947		WASHER D. 8 INX UNI 6592	2,00			--
0037		VTRS16937		WASHER 6x24 INOX UNI 6593	1,00			--
0038		VTVT15143		SCREW TE 6X16 UNI5739	1,00			--
0039		VTVT03640		SCREW TE 10X25 UNI5740	2,00	05/2011		--



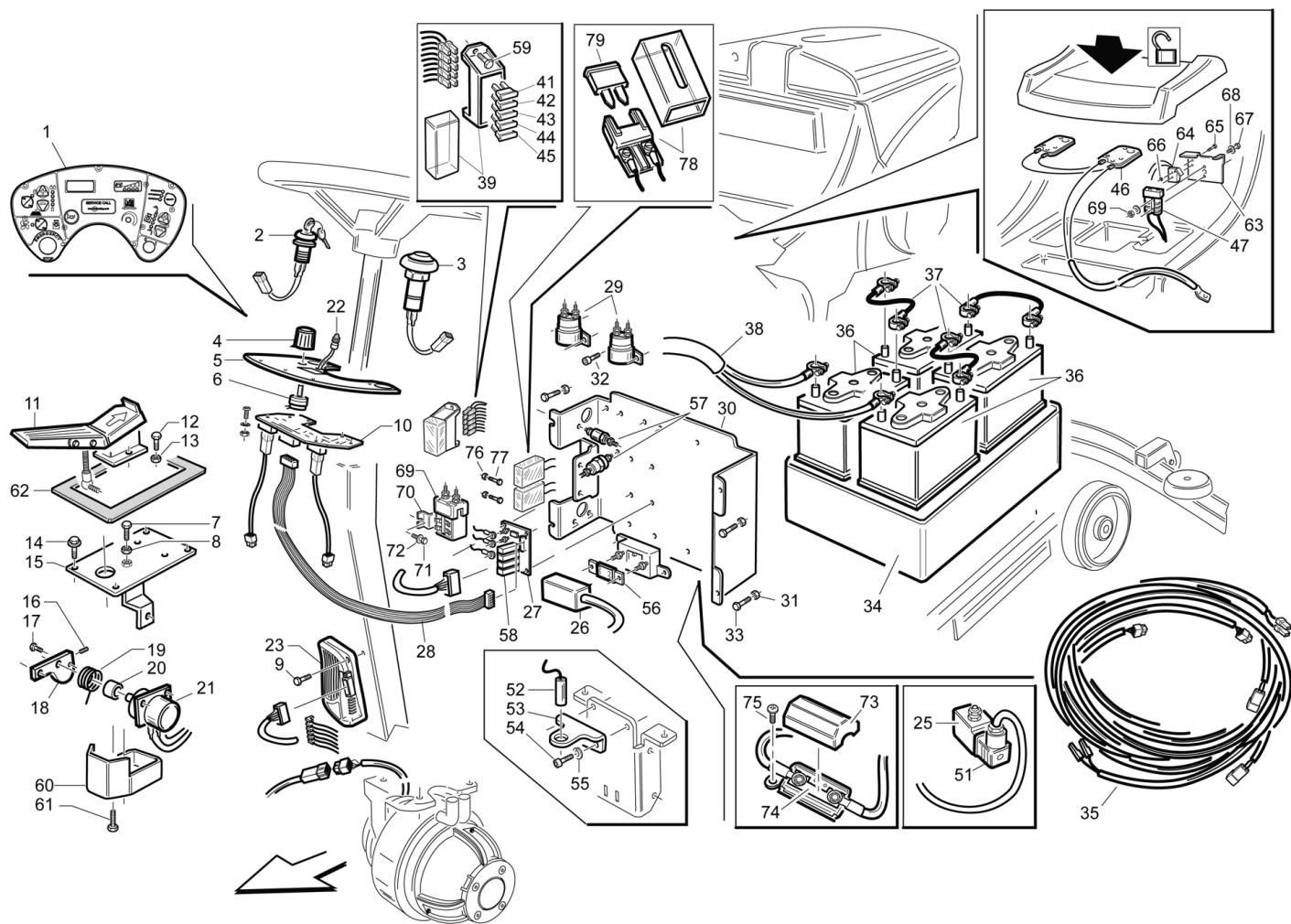
Ref.	K	Part N.	Customer Part N.	Description	Qty	Validity:		Price
						From	To	
0039		VTVT13936		SCREW TE M 10X 20	2,00		05/2011	--
0040		LAFN04144		WASHER RUOTE POSTERIORI	2,00			--
0041		RTRT00507		WHEEL D.300 H=70	2,00		05/2011	--
0041		RTRT00539		WHEEL REAR PU D.300 CT110	2,00	05/2011		--
0042		LAFN06360		FRAME CT110	1,00			--
0043		LAFN06427		LEVER CT110	1,00			--
0044		LAFN04147		SCREW ASTA SERBATOIO P185	1,00		11/2010	--
0044		VTVT15916		SCREW TE M 8X 16 UNI 5739 A2	1,00	11/2010		--
0045		VTRS00502		WASHER D. 5 0.466 UNI 6592	1,00			--
0046		VTVT00005		SCREW TE FR 5X12 ZB	1,00			--
0047		LAFN06522		PLATE CT110	1,00			--
0048		LAFN06523		SPACER Ø48 X Ø36,5 X 20	1,00			--
0049		CUVR00120		BEARING 6007-2RS1	2,00			--
0050		LAFN06387		BUSHING STERZO	2,00			--
0051		VTAE00018		SEEGER E25x1,2 DIN471	2,00			--
0052		LAFN04148		BUSHING ASTA SERBATOIO P185	1,00			--
0053		VTRS00506		WASHER D.12 UNI 6592	1,00		11/2010	--
0053		VTRS13946		WASHER D. 8 X24 INX UNI 6593	1,00	11/2010		--
0054		VTRS13947		WASHER D. 8 INX UNI 6592	4,00			--
0055		VTRS00245		WASHER D.6 UNI 6592 INOX	6,00			--
0056		MPVR02933		DUCT LOCK D.9,5	2,00			--
0057		VTVT37012		SCREW M 4X 10 TCB-TC INX	2,00			--
0058		FSVR00043		CLAMP d.16	1,00			--
0059		VTRS15144		WASHER D. 6 INX GRW UNI 1751	1,00			--
0060		VTVT15906		SCREW TE 6X 12 A2 UNI 5739	1,00			--
0061		LAFN06364		PLATE STERZO	1,00			--
0062		MPVR05951		CAP G48 FOR WHEEL	2,00	05/2011		--
0063		LAFN08995		ARM PORTARUOTA TERGI P185	2,00	05/2011		--



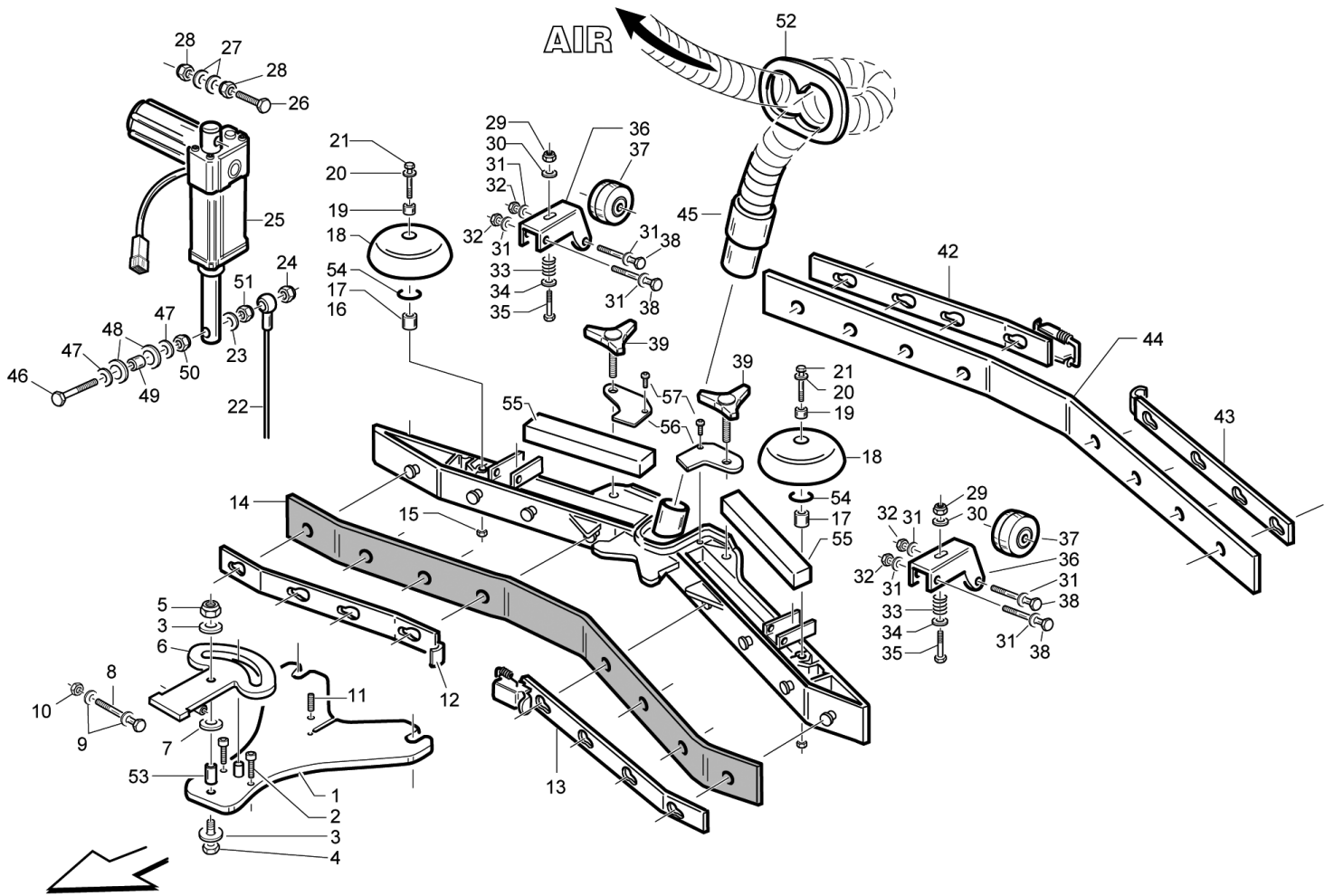
Ref.	K	Part N.	Customer Part N.	Description	Qty	Validity:		Price
						From	To	
0001		ETET01485		LABEL -	1,00			--
0002		MECI75805		SWITCH TK	1,00			--
0003		MECI00028		BUTTON DI EMERGENZA TK1400 24V	1,00			--
0004		KTRI01935		KIT 1050-1202	1,00			--
0005		LAFN06408		PLATE -	1,00			--
0006		MEVR01941		POTENTIOMETER 100K	1,00			--
0007		VTVT13937		SCREW TE M 8X 30 INX UNI 5739	1,00			--
0008		VTDD01696		NUT M 8 INX	1,00			--
0009		VTVT00727		SCREW TE M. 4-20	2,00			--
0010		MECE00451		BOARD CONTROL PANEL CT110	1,00			--
0011		LAFN06429		PEDALE CT110	1,00			--
0012		VTVT15143		SCREW TE 6X16 UNI5739	2,00			--
0013		VTDD15518		NUT M 6 INX	2,00			--
0014		VTVT00005		SCREW TE FR 5X12 ZB	4,00			--
0015		LAFN06521		SUPPORT ACCELERATORE	1,00			--
0016		VTVT00911		GRUB SCREW M4X8	1,00			--
0017		VTVT00727		SCREW TE M. 4-20	2,00			--
0018		LAFN06371		CONNECTING ROD POTENZIOMETRO	1,00			--
0019		MLML00301		SPRING ACCELLERATORE	1,00		04/2010	--
0019		MLML00327		SPRING -	1,00	04/2010		--
0020		MPVR05236		BUSHING -	1,00		04/2010	--
0020		MPVR05786		BUSHING	1,00	04/2010		--
0021		MEVR01700		POTENTIOMETER 0-5K	1,00			--
0023		MECE00450		BOARD TRACTION CURTIS CT110	1,00			--
0025		MEEV00018		SOLENOID VALVE	1,00		10/2011	--
0025		MEEV00044		SOLENOID VALVE	1,00	10/2011		--
0026		MEVR00146		FUSE-HOLDER MEGA	1,00			--
0027		MECE00452		BOARD ACTUATORS CONTROL CT110	1,00			--
0028		MECB01021		CABLE FLAT	1,00		10/2008	--
0028		MECB01099		CABLE FLAT	1,00	10/2008		--
0029		METT45116	#8479.90.9498	CONTACTOR 24V T106 P	2,00	05/2009		--
0029		METT45116	#8479.90.9498	CONTACTOR 24V T106 P	3,00		05/2009	--
0030		LAFN06503		PLATE ELETTRONICA	1,00			--
0032		VTVT00005		SCREW TE FR 5X12 ZB	8,00			--
0033		VTVT00005		SCREW TE FR 5X12 ZB	4,00			--
0034		MPVR05217		CONTAINER BATTERIA	1,00			--
0035		MECB01015		WIRING CT110	1,00			--
0036		BAAC00005		BATTERY 6 V 180 AH (C5)	4,00			--
0036		BAAC00074		BATTERY ACID 6V 180Ah TUBOLAR	4,00			--



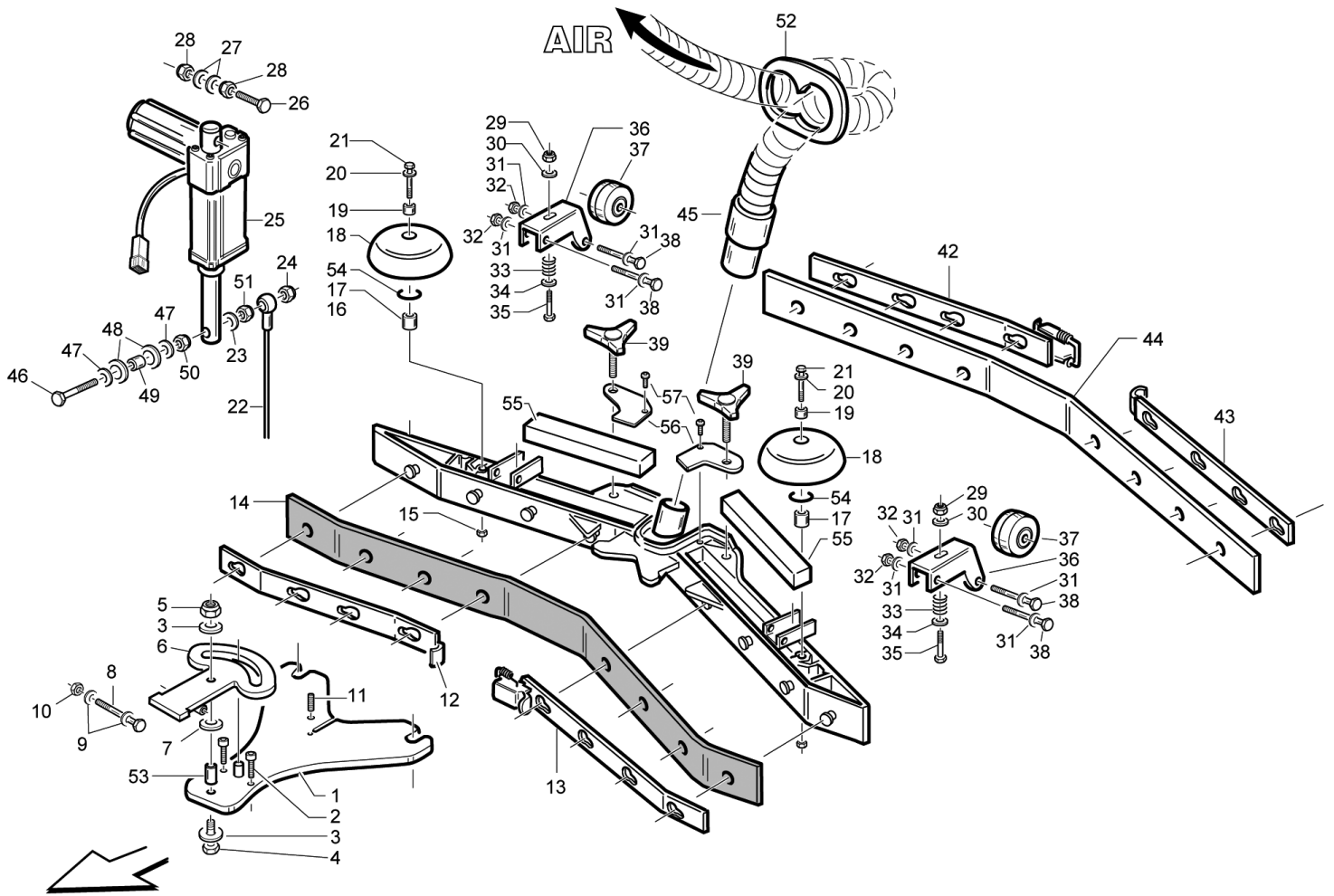
Ref.	K	Part N.	Customer Part N.	Description	Qty	Validity:		Price
						From	To	
0037		MEVR34820		WIRING B 450 BT	3,00			--
0038		MECB01015		WIRING CT110	1,00			--
0039		MEVR00567		FUSE-HOLDER 6 VIE	1,00			--
0040		MEVR01136		FUSE 30A	1,00		10/2011	--
0041		MEVR01136		FUSE 30A	1,00		10/2011	--
0041		MEVR01428		FUSE A LAMA 2 A. UNIVAL	1,00	10/2011		--
0042		MEVR00327		FUSE 25A	1,00			--
0043		MEVR00584		FUSE 3A	1,00			--
0044		MEVR00584		FUSE 3A	1,00			--
0045		MEVR00584		FUSE 3A	1,00			--
0046		MEVR00148		DASHBOARD SEDILE	1,00			--
0047		MEVR01079		PLUG M CB50 A. 600V RD.	1,00			--
0051		MECB01015		WIRING CT110	1,00			--
0052		MECI00405		SENSOR -	1,00			--
0053		LAFN06386		SUPPORT -	1,00			--
0054		VTVT15143		SCREW TE 6X16 UNI5739	2,00			--
0055		VTRS15144		WASHER D. 6 INX GRW UNI 1751	2,00			--
0056		MEVR00145		FUSE 100A	1,00			--
0057		MEVR47082		INSULATOR M6 35-CH32	1,00			--
0058		MECE00456		RELAY CT110	4,00			--
0059		VTVT00005		SCREW TE FR 5X12 ZB	2,00			--
0060		MPVR05235		COVER -	1,00			--
0061		VTVT00005		SCREW TE FR 5X12 ZB	2,00			--
0062		GUVR00292		GASKET CT110	1,00			--
0063		LAFN07362		PLATE ANDERSON	1,00			--
0064		MECI00334		MICROSWITCH V4	1,00			--
0065		VTVT00671		SCREW TC- M.2-16 OTTONE	2,00			--
0066		VTDD08634		NUT M2	2,00			--
0067		VTVT01350		SCREW M3-20 INOX	2,00			--
0068		VTRS21116		WASHER D. 3 INX	2,00			--
0069		MECI00532		CONTACTOR 24V-100A	1,00	05/2009		--
0070		LAFN07743		BRACKET -	1,00	05/2009		--
0071		VTVT01669		CARRYNG BAG	2,00	05/2009		--
0072		VTRS00501		WASHER D. 4 0.232 UNI 6592	2,00	05/2009		--
0073		MEVR31036		FUSE-HOLDER	1,00			--
0074		MEVR02042		FUSE 40A NST.	1,00			--
0075		VTVT00079		SCREW AUTOF.TC UNI6954 3.9X22	1,00			--
0076		VTDD01693		NUT M 5 INX	2,00	10/2011		--
0077		VTVT01300		SCREW TE M5X12 INOX	2,00	10/2011		--



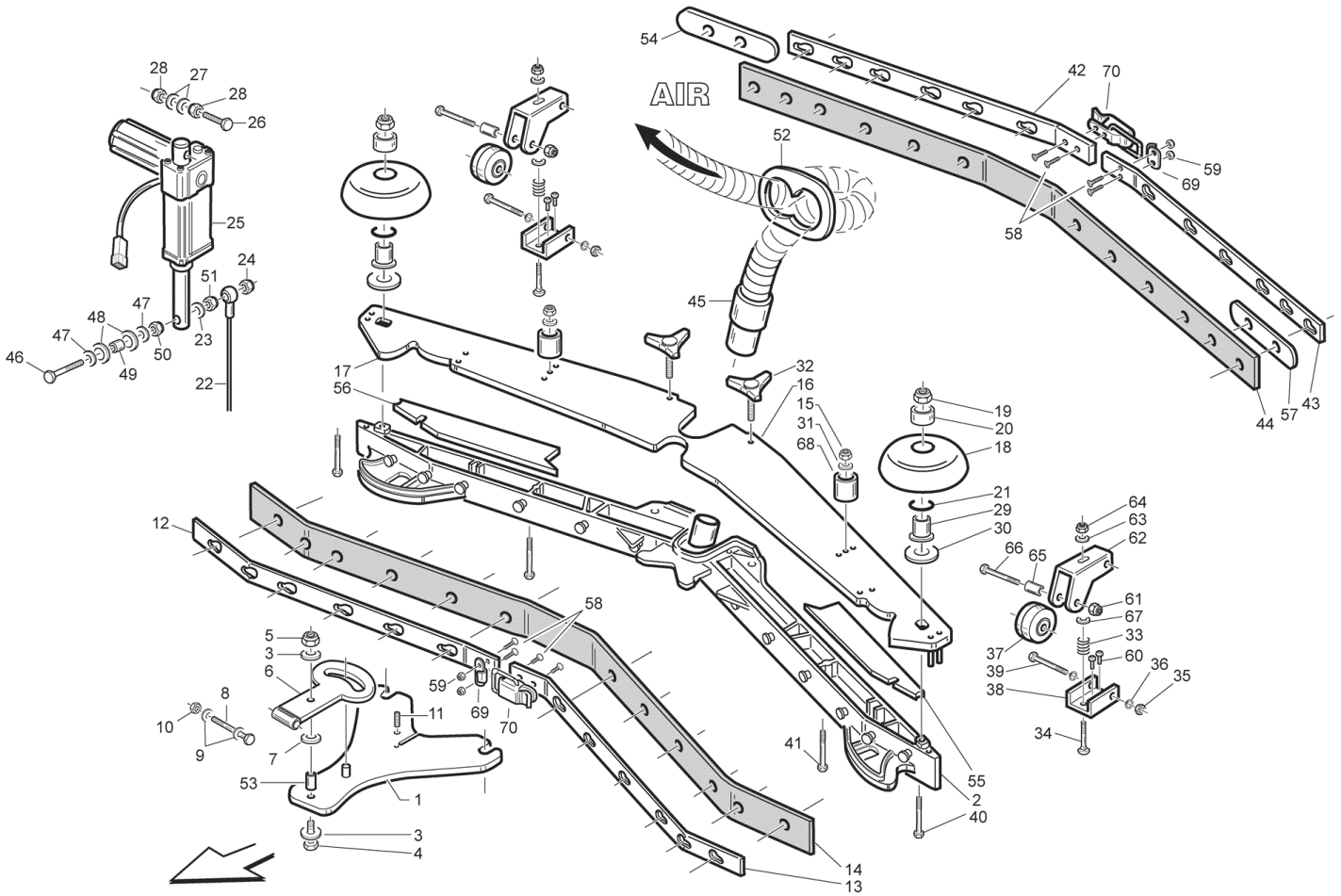
Ref.	K	Part N.	Customer Part N.	Description	Qty	Validity:		Price
						From	To	
0078		MEVR00613		FUSE CARRIER MAXIVAL with cover	2,00	10/2011		--
0079		MEVR02048		FUSE 40A	2,00	10/2011		--



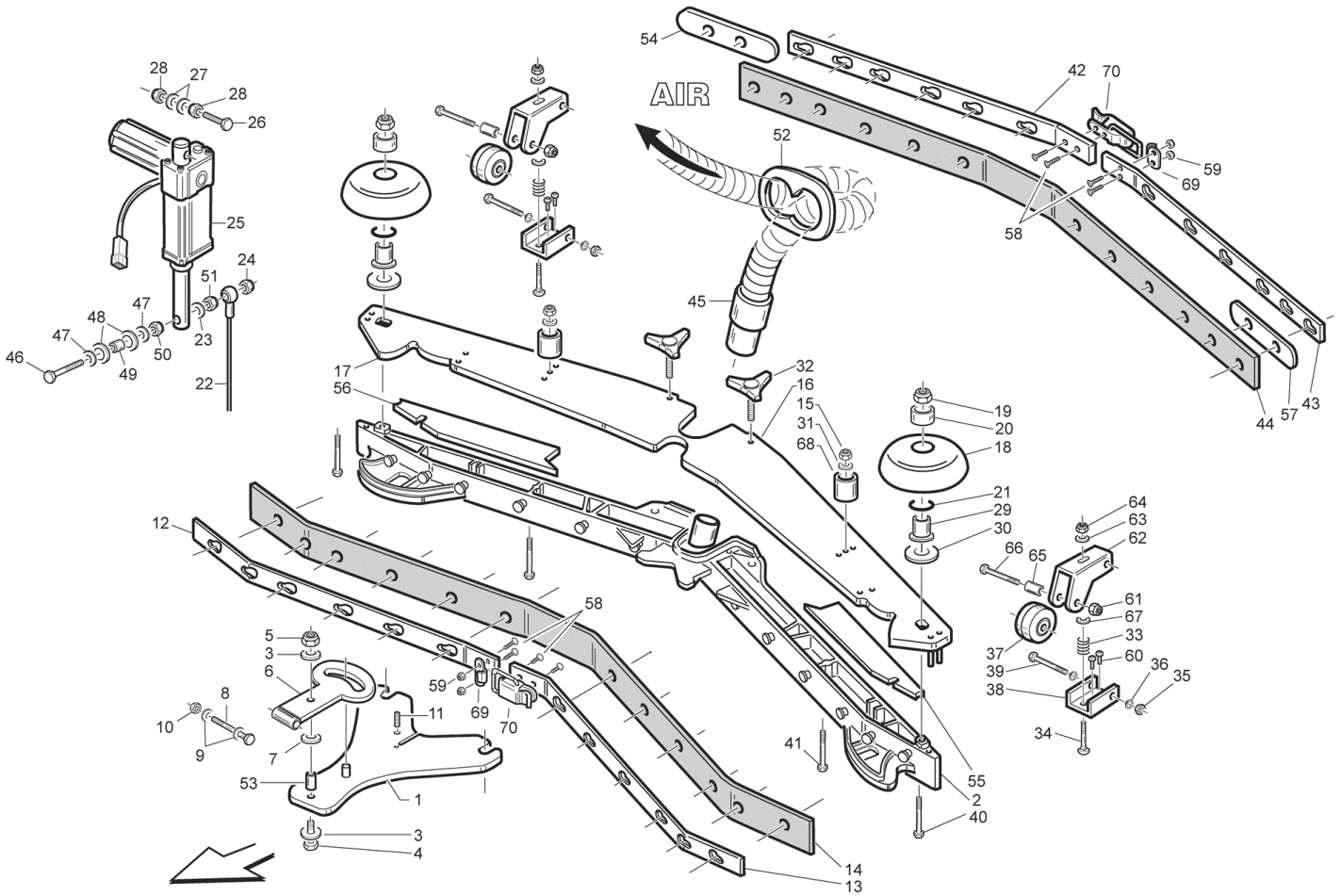
Ref.	K	Part N.	Customer Part N.	Description	Qty	Validity:		Price
						From	To	
0001		LAFN05631		PLATE	1,00		02/2009	--
0001		LAFN07536		PLATE	1,00	02/2009		--
0002		VTVT00876		SCREW TCEI M.8-16	2,00			--
0003		VTRS13946		WASHER D. 8 X24 INX UNI 6593	1,00			--
0004		VTVT00410		SCREW TE M8x35 UNI5739 INOX	1,00			--
0005		VTDD01695		NUT M 8 INX	1,00			--
0006		LAFN05599		SUPPORT	1,00			--
0007		VTRS43258		WASHER D.13X24 X2.5 NYL UNI6592	1,00			--
0008		VTVT00757		SCREW	1,00			--
0009		VTRS13947		WASHER D. 8 INX UNI 6592	2,00			--
0010		VTDD01695		NUT M 8 INX	1,00			--
0011		VTVT01145		CARRYNG BAG	1,00	07/2008		--
0011		VTVT01200		GRUB SCREW M8 X 16 INOX	1,00		07/2008	--
0012		LAFN51046		LAMINATION BLOCCA LAMA ANTER.DX "L"	1,00			--
0013		LAFN51047		LAMINATION BLOCCA LAMA ANTER.SX "L"	1,00			--
0014		MPVR48380		RUBBER BLADE LAV. 890	1,00			--
0015		VTDD15520		NUT M 6 A2 UNI 5588 INX	2,00			--
0016		KTRI02049		BODY SQUEEGEE PRESSOFUSO "L"	1,00			--
0017		LAFN51074		PIN PARACOLPI	2,00			--
0018		MPVR02894		ROLLER PARACOLPI	2,00		04/2008	--
0018		MPVR05295		WHEEL PARACOLPI	2,00	04/2008		--
0020		VTRS15144		WASHER D. 6 INX GRW UNI 1751	2,00			--
0021		VTVT15916		SCREW TE M 8X 16 UNI 5739 A2	2,00			--
0022		CMCV00426		CABLE CT 110	1,00		09/2008	--
0022		CMCV00438		CABLE SOLLEVAMENTO	1,00	09/2008	06/2009	--
0022		CMCV00443		CABLE SQUEEGEE CT110	1,00	06/2009		--
0023		VTRS15144		WASHER D. 6 INX GRW UNI 1751	2,00			--
0024		VTDD01694		NUT M6 INOX	2,00			--
0025		MOC00322		ATUATOR SQUEEGEE CT110	1,00			--
0026		VTVT15917		SCREW TE M 8X50 INOX A2 UNI	1,00			--
0027		VTRS13947		WASHER D. 8 INX UNI 6592	2,00			--
0028		VTDD01695		NUT M 8 INX	2,00			--
0029		VTDD01695		NUT M 8 INX	2,00			--
0030		VTRS13947		WASHER D. 8 INX UNI 6592	4,00			--
0031		VTRS13947		WASHER D. 8 INX UNI 6592	2,00			--
0032		VTDD15520		NUT M 6 A2 UNI 5588 INX	4,00			--
0033		MLML49422		SPRING D.15X 45 X1	2,00			--
0034		VTRS13947		WASHER D. 8 INX UNI 6592	2,00			--
0035		VTVT01304		SCREW M 8X 40 TTQST UNI 5731	2,00			--



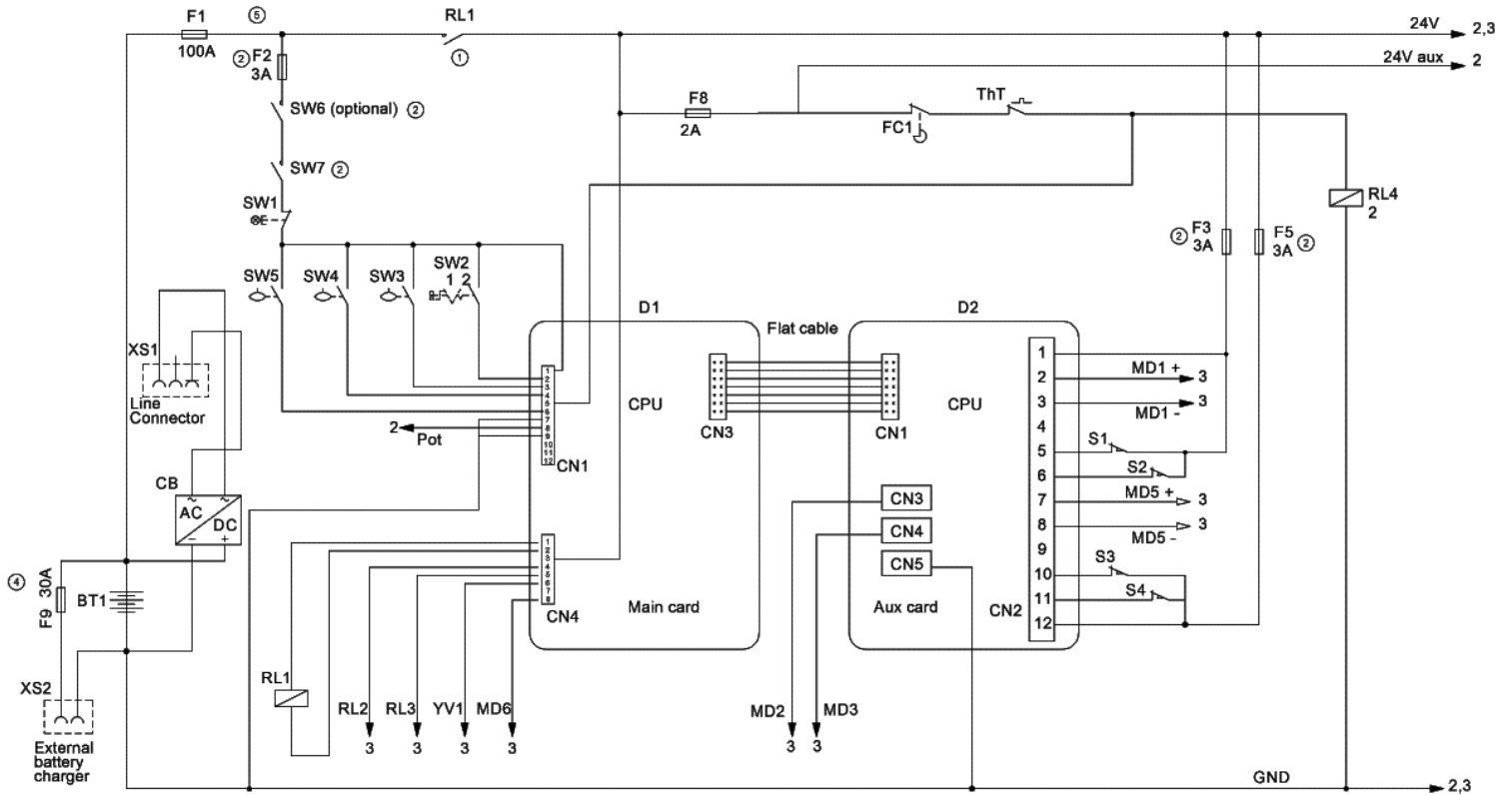
Ref.	K	Part N.	Customer Part N.	Description	Qty	Validity:		Price
						From	To	
0036		LAFN05559		SUPPORT RUOTINO	2,00			--
0037		RTRT49413		WHEEL D. 60-D.15 X36 NYL.	2,00			--
0038		VTVT15515		SCREW TE M 6X 50 INOX A2	2,00			--
0039		MPVR04164		HANDWHEEL M8 FILETTO PASSANTE	2,00			--
0039		MPVR05265		KNOB 8X25	2,00	01/2008	12/2007	--
0040		VTAE00074		CIRCLIP D8	2,00			--
0041		VTVT01050		SCREW TE M 8X30 INX UNI 5737	2,00			--
0042		LAFN05675		BLADE HOLDER POSTERIORE DX (L)	1,00			--
0043		LAFN05674		BLADE HOLDER POSTERIORE SX (L)	1,00			--
0044		MPVR48379		RUBBER BLADE LAV. 890 PARA	1,00			--
0045		TBBP00402		TUBE TERGI D.40	1,00			--
0046		VTVT17342		SCREW TE M 6X 60 UNI 5739 INX	1,00			--
0047		VTRS07728		WASHER D. 6 INX	3,00			--
0048		VTRS13947		WASHER D. 8 INX UNI 6592	2,00			--
0049		LAFN03840		BUSHING	1,00			--
0050		VTDD15518		NUT M 6 INX	1,00			--
0051		VTDD15518		NUT M 6 INX	1,00			--
0052		MPVR04659		FLANGE	1,00			--
0053		LAFN35608		SPACER S. BLOCK BT 530	1,00			--
0054		GUGO00164		GASKET	2,00	09/2009		--
0055		LAFN51039		WEIGHT IN QUADRO X SQUEEG.	2,00			--
0056		LAFN07805		SHEET METAL PA.-	2,00			--
0057		VTVT00881		SCREW TC+ M4x6 TRILOBATA INOX	2,00			--



Ref.	K	Part N.	Customer Part N.	Description	Qty	Validity:		Price
						From	To	
0001		LAFN07536		PLATE -	1,00			--
0002		KTRI02049		BODY SQUEEGEE PRESSOFUSO "L"	1,00			--
0003		VTRS13946		WASHER D. 8 X24 INX UNI 6593	1,00			--
0004		VTVT00410		SCREW TE M8x35 UNI5739 INOX	1,00			--
0005		VTDD01695		NUT M 8 INX	1,00			--
0006		LAFN09010		SUPPORT -	1,00			--
0007		VTRS15978		WASHER D.12X24 UNI 6592 INX	1,00			--
0008		VTVT00757		SCREW	1,00			--
0009		VTRS13947		WASHER D. 8 INX UNI 6592	2,00			--
0010		VTDD01695		NUT M 8 INX	1,00			--
0011		VTVT01145		CARRYNG BAG	1,00			--
0012		LAFN08952		BRACKET -	1,00		10/2013	--
0012		LAFN09284		SHEET METAL PA.-	1,00	10/2013		--
0013		LAFN08953		BRACKET -	1,00		10/2013	--
0013		LAFN09285		SHEET METAL PA.-	1,00	10/2013		--
0014		MPVR05804		RUBBER FRONT SQUEEGEE L PU	1,00		07/2013	--
0014		MPVR08040		BLADE L LATEX	1,00	07/2013		--
0015		VTDD01694		NUT M6 INOX	4,00			--
0016		LAFN09014		PLATE -	1,00			--
0017		LAFN09015		PLATE -	1,00			--
0018		MPVR05290		ROLLER PARACOLPI	2,00			--
0019		VTDD01694		NUT M6 INOX	2,00			--
0020		MPVR49229		BUSHING SHK	2,00			--
0021		GUGO00164		GASKET	2,00			--
0022		CMCV00445		CABLE LIFTING SQUEEGEE CT110	1,00			--
0023		VTRS15144		WASHER D. 6 INX GRW UNI 1751	2,00			--
0024		VTDD01694		NUT M6 INOX	2,00			--
0025		MOCC00322		ATUATOR SQUEEGEE CT110	1,00			--
0026		VTVT15917		SCREW TE M 8X50 INOX A2 UNI	1,00			--
0027		VTRS13947		WASHER D. 8 INX UNI 6592	2,00			--
0028		VTDD01695		NUT M 8 INX	2,00			--
0029		LAFN04100		SPACER PER RUOTINO PARACOLPI	2,00			--
0030		VTRS16937		WASHER 6x24 INOX UNI 6593	2,00			--
0031		VTRS00245		WASHER D.6 UNI 6592 INOX	2,00			--
0032		MPVR06004		KNOB AISI 304	2,00			--
0033		MLML49422		SPRING D.15X 45 X1	2,00			--
0034		VTVT01304		SCREW M 8X 40 TTQST UNI 5731	2,00			--
0035		VTDD01694		NUT M6 INOX	2,00			--
0036		VTAE45707	#8479.90.9498	CIRCLIP D. 6 UNI 7434 INOX	4,00			--



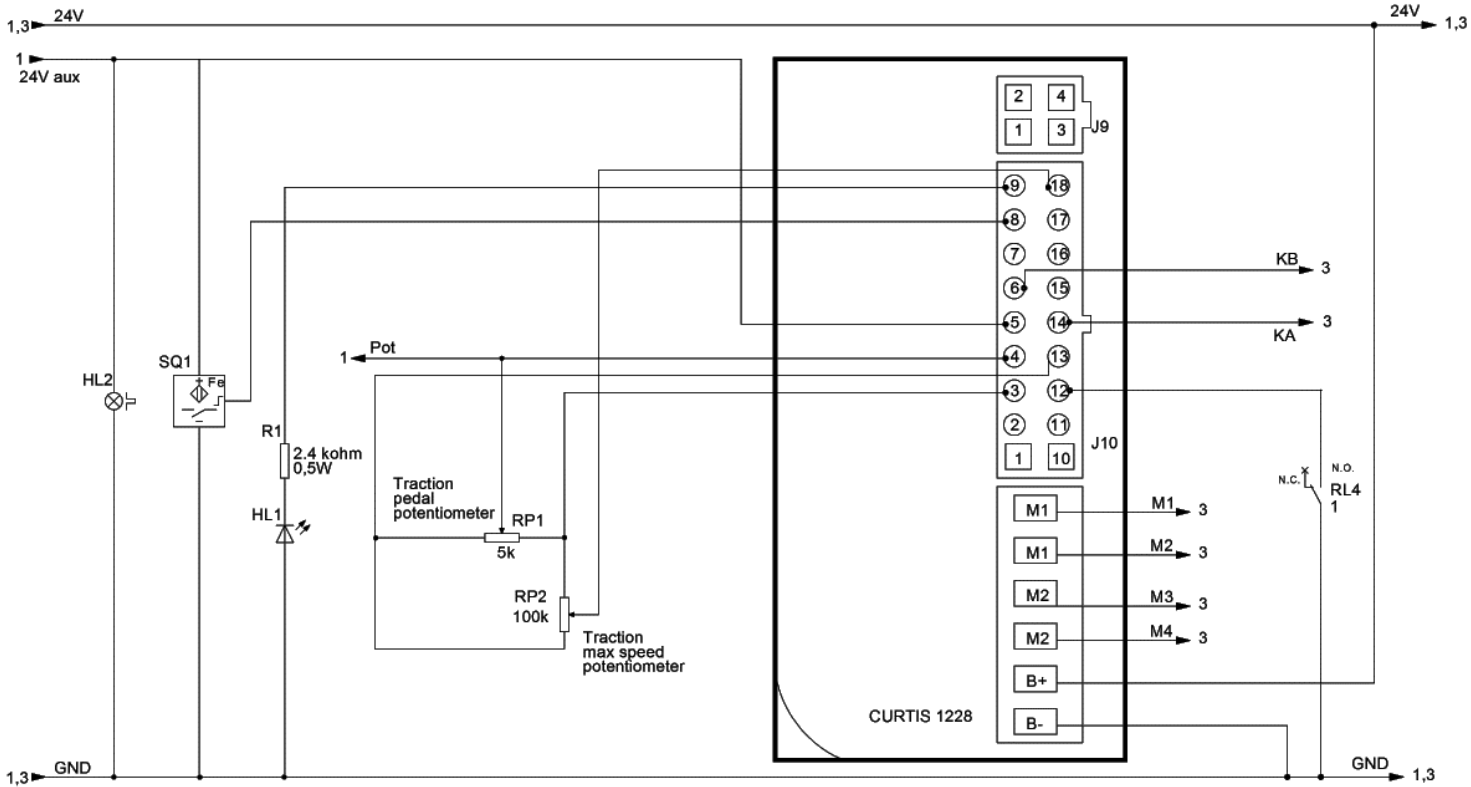
Ref.	K	Part N.	Customer Part N.	Description	Qty	Validity:		Price
						From	To	
0037		RTRT00540		WHEEL D.8x32	2,00			--
0038		LAFN51069		BRACKET SUPP.RUOTINO SQUEEGEE	2,00			--
0039		VTVT15515		SCREW TE M 6X 50 INOX A2	2,00			--
0040		VTVT00841		SCREW TE M 6X65 UNI 5739 INX	2,00			--
0041		VTVT00699		SCREW TE M. 6-70	2,00			--
0042		LAFN08954		BRACKET -	1,00		10/2013	--
0042		LAFN09286		SHEET METAL PA.-	1,00	10/2013		--
0043		LAFN08955		BRACKET -	1,00		10/2013	--
0043		LAFN09287		SHEET METAL PA.-	1,00	10/2013		--
0044		MPVR05806		RUBBER REAR SQUEEGEE L PU	1,00		07/2013	--
0044		MPVR08036		BLADE L LATEX	1,00	07/2013		--
0045		TBBP00402		TUBE TERGI D.40	1,00			--
0046		VTVT17342		SCREW TE M 6X 60 UNI 5739 INX	1,00			--
0047		VTRS07728		WASHER D. 6 INX	3,00			--
0048		VTRS13947		WASHER D. 8 INX UNI 6592	2,00			--
0049		LAFN03840		BUSHING	1,00			--
0050		VTDD15518		NUT M 6 INX	1,00			--
0051		VTDD15518		NUT M 6 INX	1,00			--
0052		MPVR04659		FLANGE	1,00			--
0053		LAFN35608		SPACER S. BLOCK BT 530	1,00			--
0054		MPVR05898		CLOSURE L	1,00			--
0055		GUVR00302		GASKET -	1,00			--
0056		GUVR00303		GASKET -	1,00			--
0057		MPVR05898		CLOSURE L	1,00			--
0058		VTVT01070		SCREW TSTC M3X8	8,00			--
0059		VTDD00210		NUT M 3 INOX	8,00			--
0060		VTVR01040		RIVET -	4,00			--
0061		VTDD01694		NUT M6 INOX	2,00			--
0062		LAFN05559		SUPPORT RUOTINO	2,00			--
0063		VTRS13947		WASHER D. 8 INX UNI 6592	2,00			--
0064		VTDD01695		NUT M 8 INX	2,00			--
0065		TBBP00124		TUBE D 8/6	0,01			--
0066		VTVT15515		SCREW TE M 6X 50 INOX A2	2,00			--
0067		VTRS13947		WASHER D. 8 INX UNI 6592	2,00			--
0068		MPVR06016		BRACKET -	2,00			--



MAIN CONTROL BOARD

PLDC01844_6

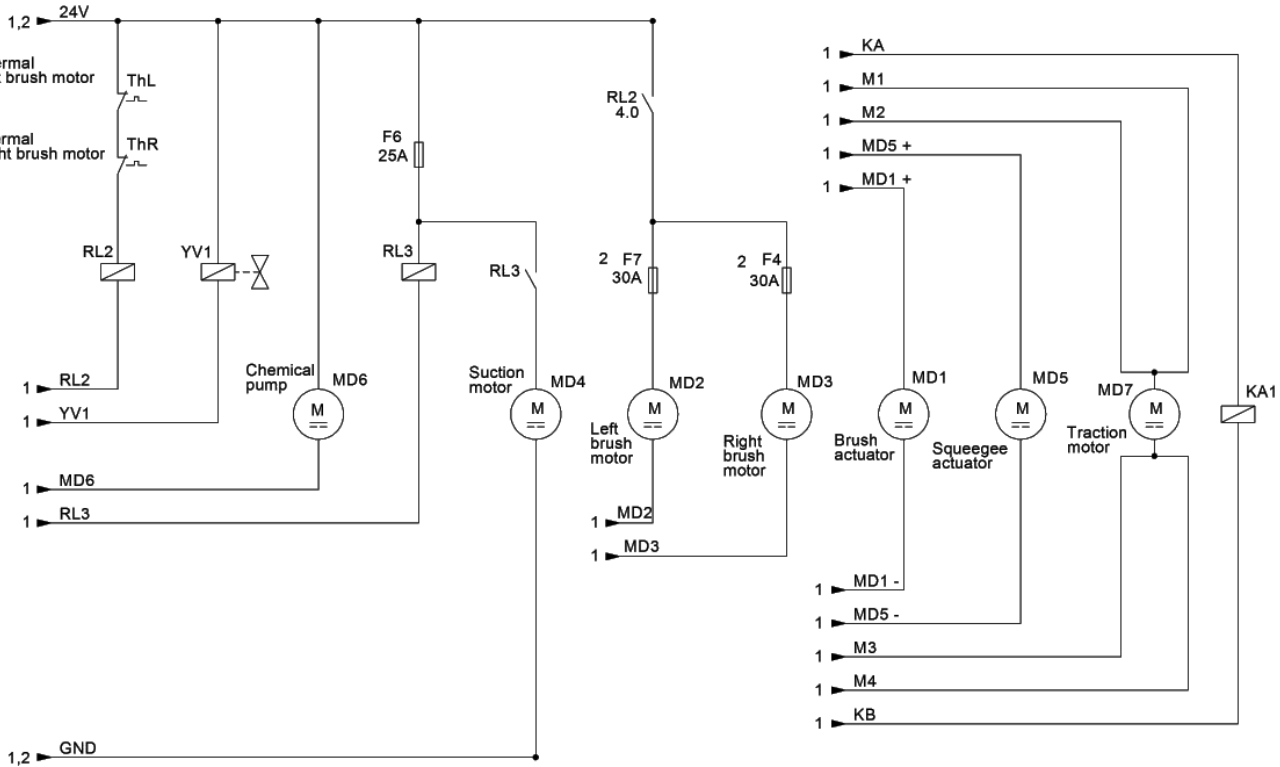
Ref.	K	Part N.	Customer Part N.	Description	Qty	Validity:		Price
						From	To	
00CB		BACA00117		BATTERY-CHARGER	1,00			--
00D1		MECE00451		BOARD CONTROL PANEL CT110	1,00			--
00F1		MEVR00145		FUSE 100A	1,00			--
00F2		MEVR01428		FUSE A LAMA 2 A. UNIVAL	1,00			--
00F3		MEVR00565		FUSE 5A	1,00			--
00F4		MEVR00379		FUSE RESETTABLE 25A -ETA-	1,00			--
00F5		MEVR00565		FUSE 5A	1,00			--
00F6		MEVR00379		FUSE RESETTABLE 25A -ETA-	1,00			--
00S1		MOCC00317		ATUATOR	1,00			--
00S2		MOCC00317		ATUATOR	1,00			--
00S3		MOCC00318		ATUATOR	1,00			--
00S4		MOCC00318		ATUATOR	1,00			--
0FC1		MEVR00148		DASHBOARD SEDILE	1,00			--
0FU7		MEVR00379		FUSE RESETTABLE 25A -ETA-	1,00			--
0HL2		MEVR00935		FLASHING LIGHT G1050	1,00			--
0MD1		MOCC00317		ATUATOR	1,00			--
0MD4		MOCC00273		MOTOR 3 ST.24V 116598-13	1,00			--
0MD5		MOCC00318		ATUATOR	1,00			--
0MD7		MOCC00316		MOTOR MR240-01 M420	1,00			--
0RL1		MECI00532		CONTACTOR 24V-100A	1,00			--
0RL2		METT45116	#8479.90.9498	CONTACTOR 24V T106 P	1,00			--
0RL3		METT45116	#8479.90.9498	CONTACTOR 24V T106 P	1,00			--
0RP2		MEVR01941		POTENTIOMETER 100K	1,00			--
0SQ1		MECI00405		SENSOR -	1,00			--
0SW1		MECI00341		BUTTON DI EMERGENZA	1,00			--
0SW2		MECI00340		SWITCH A CHIAVE X MOT.BATT.P185	1,00			--
0SW3		MECI00516		SENSOR DI LIVELLO ORIZZONTALE	1,00			--
0SW4		MECI00533		SENSOR VS303-51N	1,00			--
0YV1		MEEV00018		SOLENOID VALVE	1,00		10/2011	--
0YV1		MEEV00044		SOLENOID VALVE	1,00	10/2011		--



CURTIS CONNECTORS

PLDC01844_6

Ref.	K	Part N.	Customer Part N.	Description	Qty	Validity:		Price
						From	To	
00CB		BACA00117		BATTERY-CHARGER	1,00			--
00D1		MECE00451		BOARD CONTROL PANEL CT110	1,00			--
00F1		MEVR00145		FUSE 100A	1,00			--
00F2		MEVR01428		FUSE A LAMA 2 A. UNIVAL	1,00			--
00F3		MEVR00565		FUSE 5A	1,00			--
00F4		MEVR00379		FUSE RESETTABLE 25A -ETA-	1,00			--
00F5		MEVR00565		FUSE 5A	1,00			--
00F6		MEVR00379		FUSE RESETTABLE 25A -ETA-	1,00			--
00S1		MOCC00317		ATUATOR	1,00			--
00S2		MOCC00317		ATUATOR	1,00			--
00S3		MOCC00318		ATUATOR	1,00			--
00S4		MOCC00318		ATUATOR	1,00			--
0FC1		MEVR00148		DASHBOARD SEDILE	1,00			--
0FU7		MEVR00379		FUSE RESETTABLE 25A -ETA-	1,00			--
0HL2		MEVR00935		FLASHING LIGHT G1050	1,00			--
0MD1		MOCC00317		ATUATOR	1,00			--
0MD4		MOCC00273		MOTOR 3 ST.24V 116598-13	1,00			--
0MD5		MOCC00318		ATUATOR	1,00			--
0MD7		MOCC00316		MOTOR MR240-01 M420	1,00			--
0RL1		MECI00532		CONTACTOR 24V-100A	1,00			--
0RL2		METT45116	#8479.90.9498	CONTACTOR 24V T106 P	1,00			--
0RL3		METT45116	#8479.90.9498	CONTACTOR 24V T106 P	1,00			--
0RP2		MEVR01941		POTENTIOMETER 100K	1,00			--
0SQ1		MECI00405		SENSOR -	1,00			--
0SW1		MECI00341		BUTTON DI EMERGENZA	1,00			--
0SW2		MECI00340		SWITCH A CHIAVE X MOT.BATT.P185	1,00			--
0SW3		MECI00516		SENSOR DI LIVELLO ORIZZONTALE	1,00			--
0SW4		MECI00533		SENSOR VS303-51N	1,00			--
0YV1		MEEV00018		SOLENOID VALVE	1,00		10/2011	--
0YV1		MEEV00044		SOLENOID VALVE	1,00	10/2011		--



MOTORS AND ACTUATORS

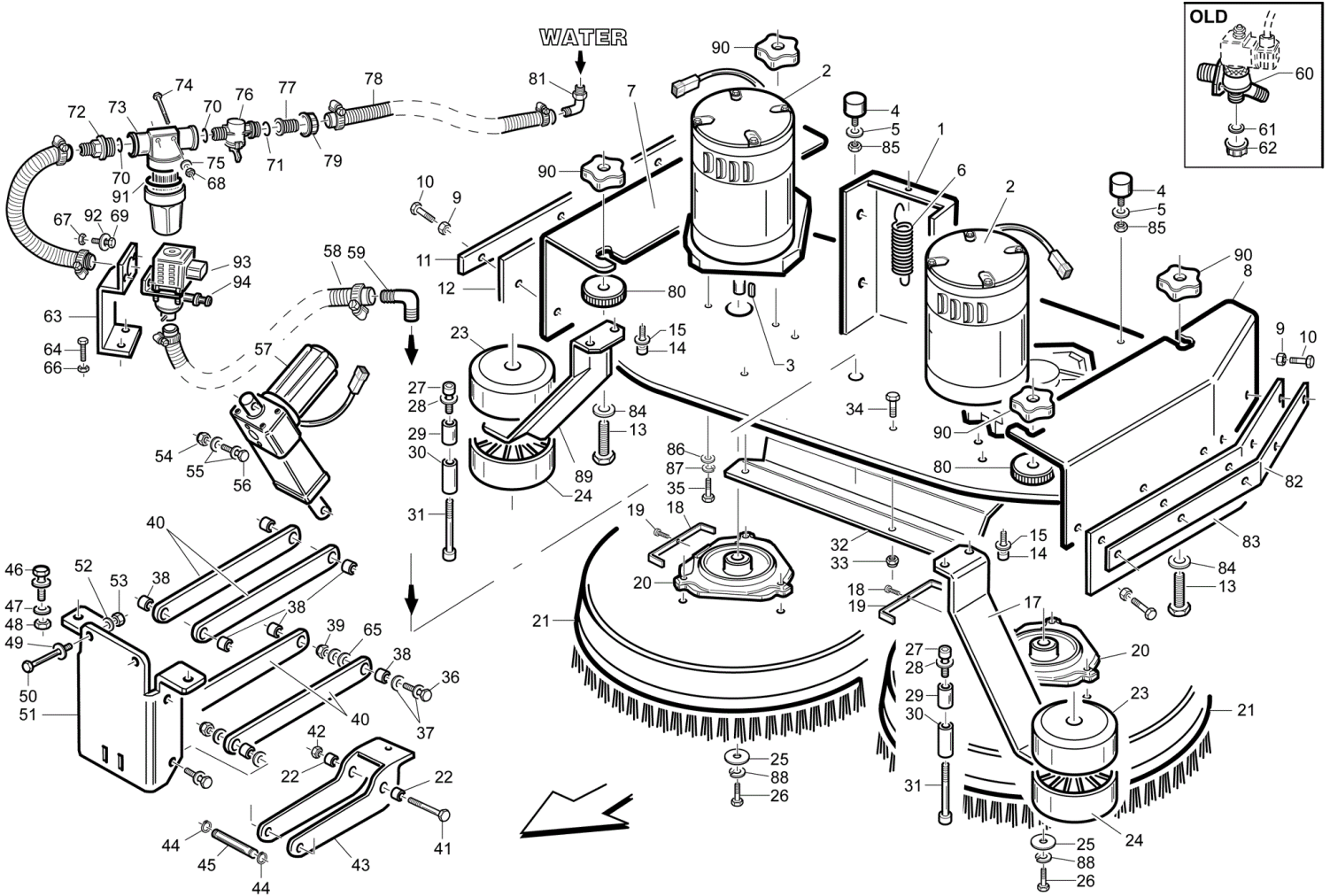
PLDC01844_6

Ref.	K	Part N.	Customer Part N.	Description	Qty	Validity:		Price
						From	To	
00CB		BACA00117		BATTERY-CHARGER	1,00			--
00D1		MECE00451		BOARD CONTROL PANEL CT110	1,00			--
00F1		MEVR00145		FUSE 100A	1,00			--
00F2		MEVR01428		FUSE A LAMA 2 A. UNIVAL	1,00			--
00F3		MEVR00565		FUSE 5A	1,00			--
00F4		MEVR00379		FUSE RESETTABLE 25A -ETA-	1,00			--
00F5		MEVR00565		FUSE 5A	1,00			--
00F6		MEVR00379		FUSE RESETTABLE 25A -ETA-	1,00			--
00S1		MOCC00317		ATUATOR	1,00			--
00S2		MOCC00317		ATUATOR	1,00			--
00S3		MOCC00318		ATUATOR	1,00			--
00S4		MOCC00318		ATUATOR	1,00			--
0FC1		MEVR00148		DASHBOARD SEDILE	1,00			--
0FU7		MEVR00379		FUSE RESETTABLE 25A -ETA-	1,00			--
0HL2		MEVR00935		FLASHING LIGHT G1050	1,00			--
0MD1		MOCC00317		ATUATOR	1,00			--
0MD4		MOCC00273		MOTOR 3 ST.24V 116598-13	1,00			--
0MD5		MOCC00318		ATUATOR	1,00			--
0MD7		MOCC00316		MOTOR MR240-01 M420	1,00			--
0RL1		MECI00532		CONTACTOR 24V-100A	1,00			--
0RL2		METT45116	#8479.90.9498	CONTACTOR 24V T106 P	1,00			--
0RL3		METT45116	#8479.90.9498	CONTACTOR 24V T106 P	1,00			--
0RP2		MEVR01941		POTENTIOMETER 100K	1,00			--
0SQ1		MECI00405		SENSOR -	1,00			--
0SW1		MECI00341		BUTTON DI EMERGENZA	1,00			--
0SW2		MECI00340		SWITCH A CHIAVE X MOT.BATT.P185	1,00			--
0SW3		MECI00516		SENSOR DI LIVELLO ORIZZONTALE	1,00			--
0SW4		MECI00533		SENSOR VS303-51N	1,00			--
0YV1		MEEV00018		SOLENOID VALVE	1,00		10/2011	--
0YV1		MEEV00044		SOLENOID VALVE	1,00	10/2011		--

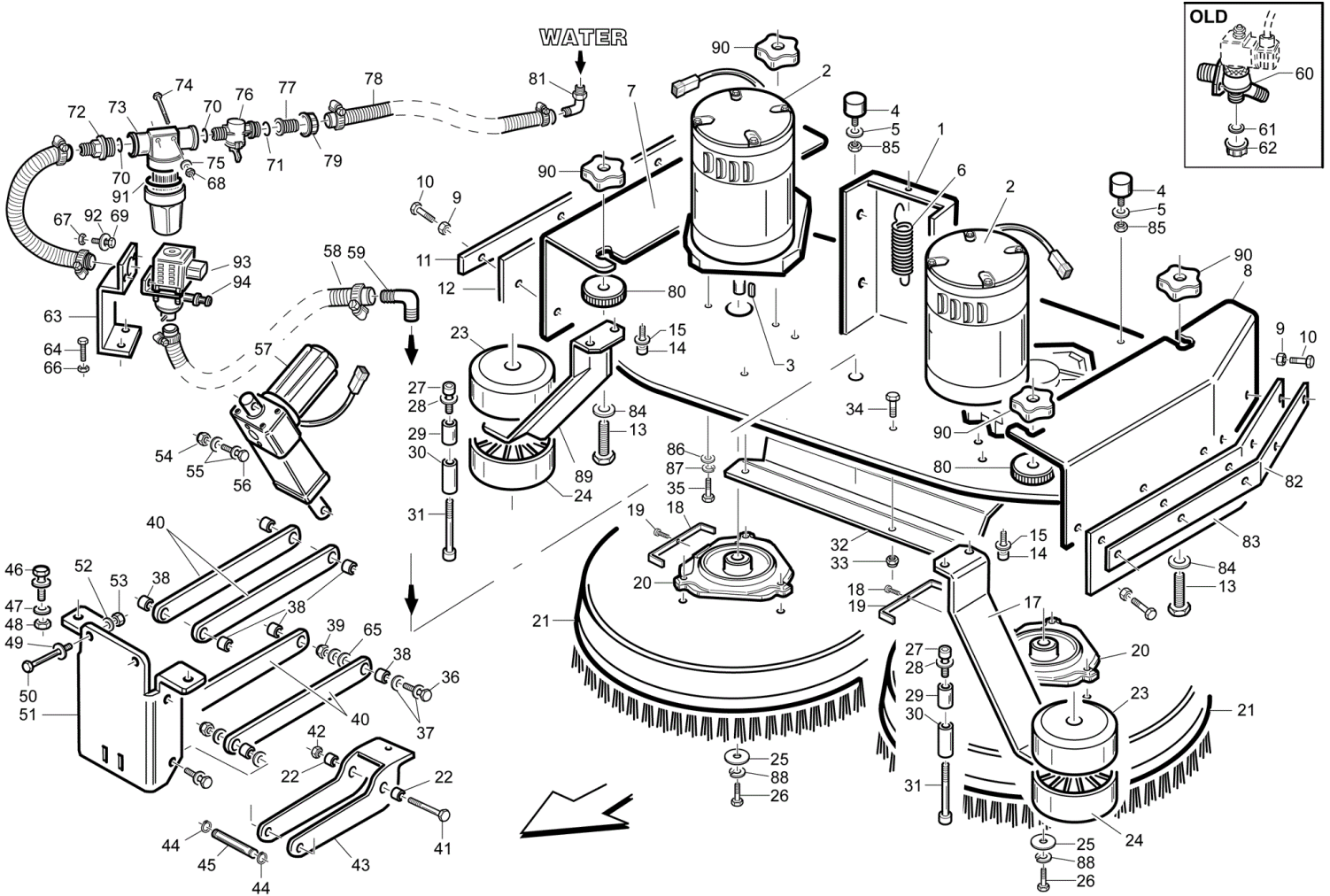
Sim. Sym.	Sigla Item	Descrizione Description	Sim. Sym.	Sigla Item	Descrizione Description	Sim. Sym.	Sigla Item	Descrizione Description	Sim. Sym.	Sigla Item	Descrizione Description
	BT1 1	Battery 24V		F7 3	Fuse left brush		R1 2	Resistor		SW1 1	E_Stop button
	CB 1	OnBoard Battery charger (optional)		HL1 2	LED Curtis		RL1 1	Main contactor		SW2 1	ON / OFF key
	D1 1	Main control board		HL2 2	Rotating Beacon (optional)		RL2 3	Brush motor relay		SW3 1	Fluid level dirty water
	D2 1	Auxiliary control card		KA1 3	Brake		RL3 3	Suction motor relay		SW4 1	Fluid level Clean water
	F1 1	Fuse 24V main line		MD1 3	Brush actuator		RP1 2	Traction potentiometer (Throttle)		SW5 1	Fluid level chemical
	F2 1	Fuse 24V service line		MD2 3	Left brush motor		RP2 2	Speed reduction potentiometer		SW6 1	OnBoard charger safety switch (optional) ②
	F3 1	Fuse linear actuator		MD3 3	Right brush motor		S1 1	Microswitch brush actuator UP		SW7 1	Charger plug safety switch ②
	F4 3	Fuse right brush		MD4 3	Suction motor		S2 1	Microswitch brush actuator DW		XS1 1	Line Connector
	F5 1	Fuse linear actuator		MD5 3	Squeegee actuator		S3 1	Microswitch squeegee actuator UP		XS2 1	External battery charger
	F6 3	Fuse suction motor		MD6 3	Chemical pump		S4 1	Microswitch squeegee actuator down		YV1 3	Water electrovalve
	FC1 2	Seat microswitch		MD7 3	Traction motor		SQ1 2	Slow down inductive sensor		RL4 1	Inhibit relay
	ThR 3	Thermal Right brush motor		F8 1	Fuse 24V aux line		ThT 1	Thermal traction motor			
	ThL 3	Thermal Left brush motor		F9 1	Fuse battery charge line						

PLDC01844_6

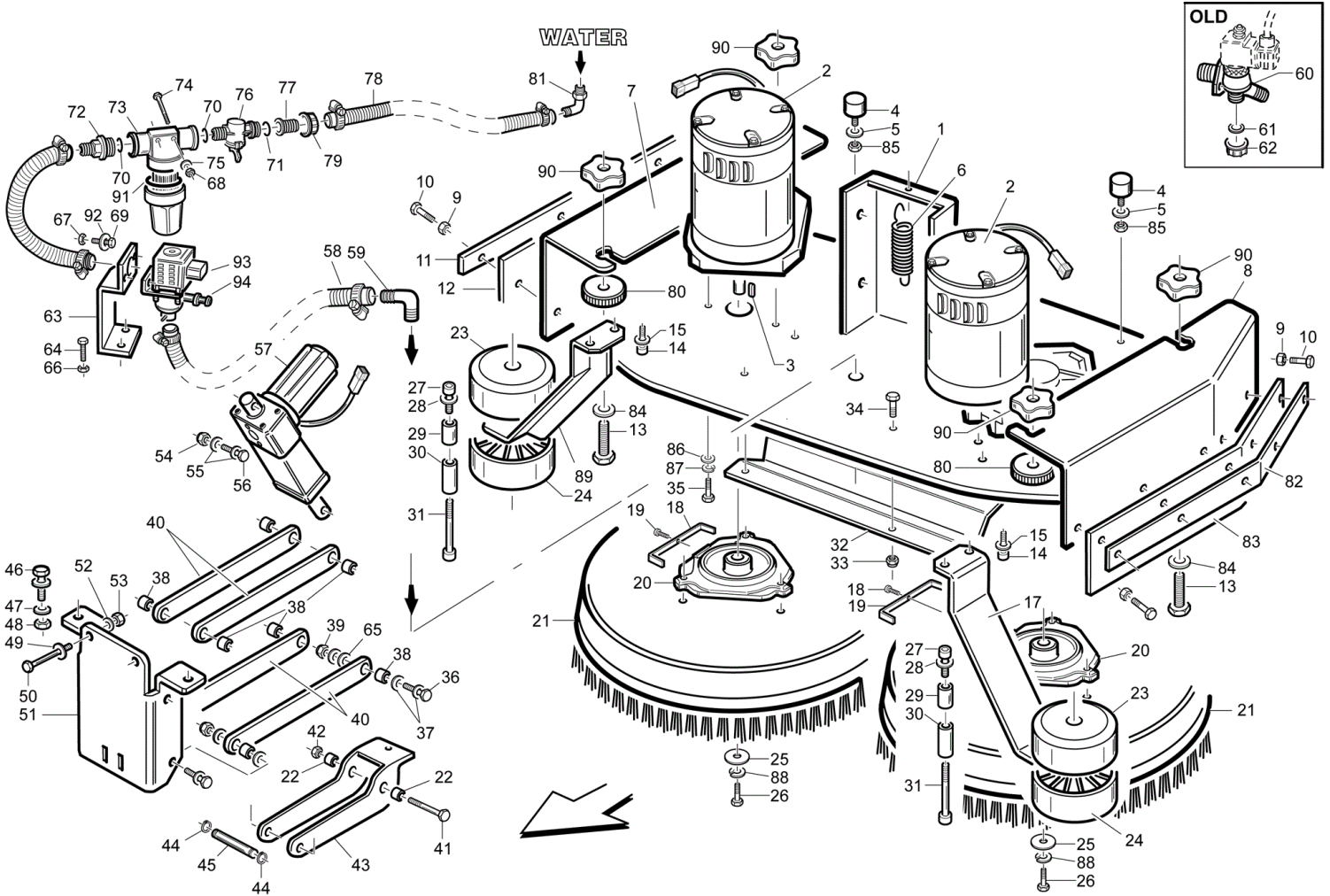
Ref.	K	Part N.	Customer Part N.	Description	Qty	Validity:	From	To	Price
00CB		BACA00117		BATTERY-CHARGER	1,00				--
00D1		MECE00451		BOARD CONTROL PANEL CT110	1,00				--
00F1		MEVR00145		FUSE 100A	1,00				--
00F2		MEVR01428		FUSE A LAMA 2 A. UNIVAL	1,00				--
00F3		MEVR00565		FUSE 5A	1,00				--
00F4		MEVR00379		FUSE RESETTABLE 25A -ETA-	1,00				--
00F5		MEVR00565		FUSE 5A	1,00				--
00F6		MEVR00379		FUSE RESETTABLE 25A -ETA-	1,00				--
00S1		MOCC00317		ATUATOR	1,00				--
00S2		MOCC00317		ATUATOR	1,00				--
00S3		MOCC00318		ATUATOR	1,00				--
00S4		MOCC00318		ATUATOR	1,00				--
0FC1		MEVR00148		DASHBOARD SEDILE	1,00				--
0FU7		MEVR00379		FUSE RESETTABLE 25A -ETA-	1,00				--
0HL2		MEVR00935		FLASHING LIGHT G1050	1,00				--
0MD1		MOCC00317		ATUATOR	1,00				--
0MD4		MOCC00273		MOTOR 3 ST.24V 116598-13	1,00				--
0MD5		MOCC00318		ATUATOR	1,00				--
0MD7		MOCC00316		MOTOR MR240-01 M420	1,00				--
0RL1		MECI00532		CONTACTOR 24V-100A	1,00				--
0RL2		METT45116	#8479.90.9498	CONTACTOR 24V T106 P	1,00				--
0RL3		METT45116	#8479.90.9498	CONTACTOR 24V T106 P	1,00				--
0RP2		MEVR01941		POTENTIOMETER 100K	1,00				--
0SQ1		MECI00405		SENSOR -	1,00				--
0SW1		MECI00341		BUTTON DI EMERGENZA	1,00				--
0SW2		MECI00340		SWITCH A CHIAVE X MOT.BATT.P185	1,00				--
0SW3		MECI00516		SENSOR DI LIVELLO ORIZZONTALE	1,00				--
0SW4		MECI00533		SENSOR VS303-51N	1,00				--
0YV1		MEEV00018		SOLENOID VALVE	1,00			10/2011	--
0YV1		MEEV00044		SOLENOID VALVE	1,00		10/2011		--



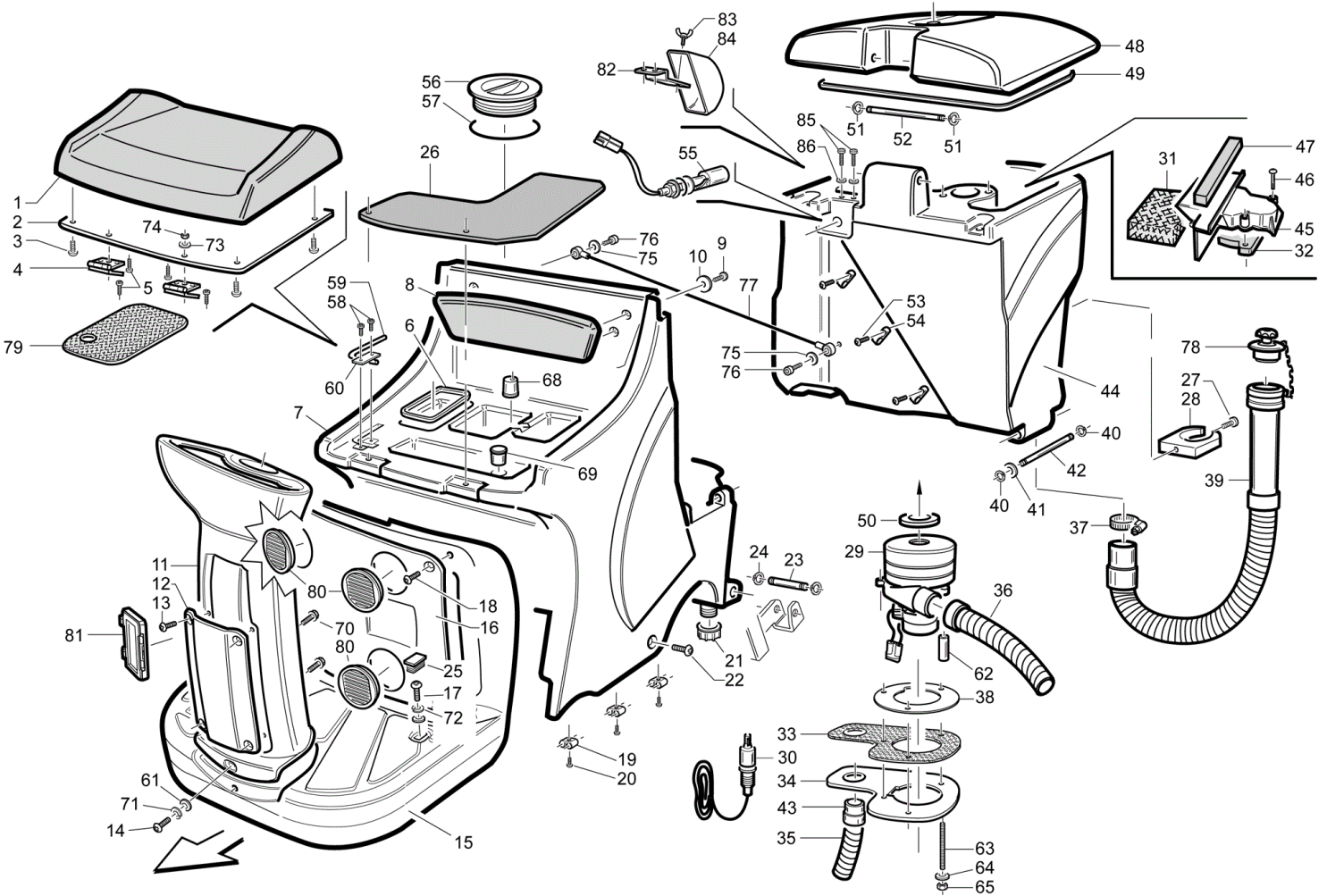
Ref.	K	Part N.	Customer Part N.	Description	Qty	Validity:		Price
						From	To	
0001		LAFN06376		PLATE 700	1,00			--
0002		MOCC00161		MOTOR.GEARBOX 300W	2,00		04/2008	--
0002		MOCC00328		MOTOR GEARBOX BRUSH 24V 380W	2,00	04/2008		--
0002		MOCC00344		BRUSH -	1,00			--
0003		VTVR16617		KEY 6X 6X30 UNI 6604	2,00			--
0004		ABGO00019		VIBRATION DAMP.40x30 M8x2845 SH	2,00			--
0005		VTRS15146		WASHER D. 8 INX GRW UNI 1751	2,00			--
0006		MLML00241		SPRING TESTATA SPAZZOLA P185	1,00			--
0007		LAFN06369		PLANE DX 700	1,00		11/2008	--
0007		LAFN06958		PLANE DX 700	1,00	11/2008		--
0008		LAFN06839		PLANE SX 700	1,00		11/2008	--
0008		LAFN07045		PLANE SX 700	1,00	11/2008		--
0009		VTDD01694		NUT M6 INOX	10,00			--
0010		VTVT15143		SCREW TE 6X16 UNI5739	10,00			--
0011		LAFN06361		SHEET METAL PA.FLAP	1,00		11/2008	--
0011		LAFN07080		SHEET METAL PA.FLAP	1,00	11/2008		--
0012		MPVR05222		FLAP DX	1,00			--
0013		VTVT00469		SCREW TE M 12X 60 INX UNI 5739	4,00		01/2012	--
0013		VTVT01167		SCREW TCB T 5X30	4,00	02/2012		--
0014		VTVT15907		SCREW TE 8X25 UNI5739 INX	4,00			--
0015		VTRS13947		WASHER D. 8 INX UNI 6592	2,00			--
0017		LAFN07361		SUPPORT PARACOLPI 700	1,00			--
0018		MLML00230		SPRING ANTISGANCIO 70 X FLANGIA	2,00		05/2012	--
0018		MLML00328		SPRING -	2,00	05/2012		--
0019		VTVT21887		SCREW TCB-TC 4X10 8112	2,00			--
0020		MFVR00212		DRIVE DISK	2,00			--
0021		SPPV47749		BRUSH NYLON 0.8 D.340 BT 7000	2,00			--
0022		LAFN04187		SPACER PER RIDUTTORE	2,00			--
0023		RTRT00502		WHEEL ANTIRIBALTAMENTO	2,00		04/2008	--
0023		RTRT00510		WHEEL ANTIRIBALTAMENTO	2,00	04/2008		--
0024		MPVR02894		ROLLER PARACOLPI	2,00		04/2008	--
0024		MPVR05295		WHEEL PARACOLPI	2,00	04/2008		--
0025		VTRS13946		WASHER D. 8 X24 INX UNI 6593	2,00			--
0026		VTVT13938		SCREW TE 8X20 UNI5739 INX	2,00			--
0027		VTVT01118		SCREW TCEI M 8X16 ZC. UNI 5931	2,00			--
0028		VTRS13947		WASHER D. 8 INX UNI 6592	2,00			--
0029		LAFN06472		PIN RUOTA	2,00			--
0030		LAFN07060		SPACER RUOTA PARACOLPI	2,00			--
0031		VTVT77509		SCREW TE 8X60 UNI5739	2,00			--



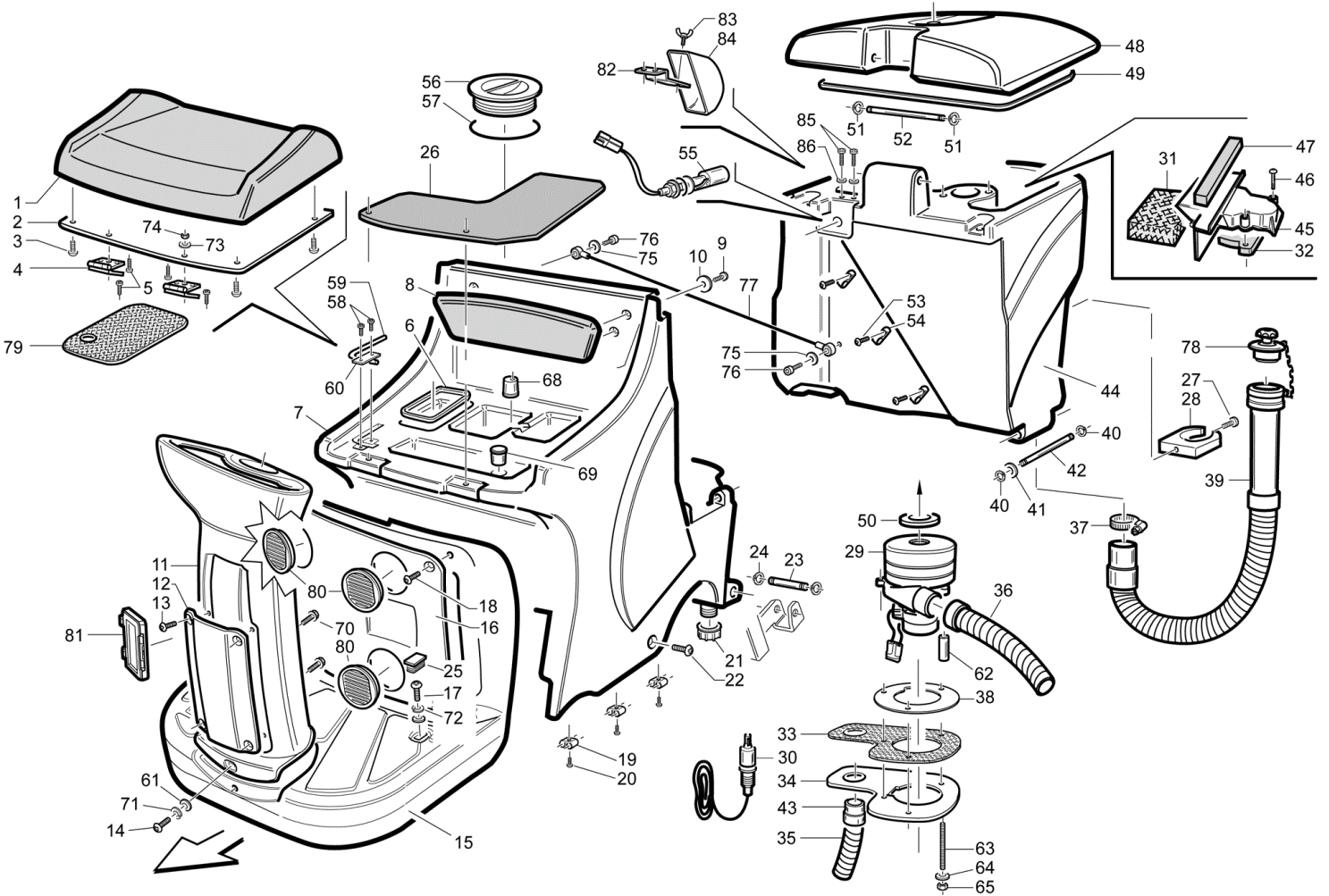
Ref.	K	Part N.	Customer Part N.	Description	Qty	Validity: From To	Price
0032		LAFN06368		CONVEYOR ACQUA	1,00		--
0033		VTDD01694		NUT M6 INOX	4,00		--
0034		VTVT15143		SCREW TE 6X16 UNI5739	4,00		--
0035		VTVT15143		SCREW TE 6X16 UNI5739	8,00		--
0036		VTVT13937		SCREW TE M 8X 30 INX UNI 5739	4,00		--
0037		VTRS13947		WASHER D. 8 INX UNI 6592	16,00		--
0038		LAFN04151		BUSHING X PARALLELOGRAMMA	8,00		--
0039		VTDD15521		NUT M 8 INX A2 UNI 5588	4,00		--
0040		LAFN06370		LEVER PARALLELOGRAMMA	4,00		--
0041		VTVT01684		SCREW TE 6X45	2,00	03/2013	--
0041		VTVT15142		SCREW TE M 6x45 INOX	2,00		03/2013
0042		VTDD15518		NUT M 6 INX	1,00		--
0043		LAFN05781		ARM ATTUATORE	1,00		03/2009
0043		LAFN07636		ARM -	1,00	03/2009	--
0044		VTAE13511		CIRCLIP D. 10 UNI 7435	2,00		--
0045		LAFN51065		PIN INFER.ATTUAT.TEST.	1,00		--
0046		VTVT13937		SCREW TE M 8X 30 INX UNI 5739	2,00		--
0047		VTRS13947		WASHER D. 8 INX UNI 6592	8,00		--
0048		VTDD01696		NUT M 8 INX	4,00		--
0049		VTRS13947		WASHER D. 8 INX UNI 6592	8,00		--
0050		VTVT13937		SCREW TE M 8X 30 INX UNI 5739	2,00		--
0051		LAFN06383		ARM TESTATA	1,00		--
0052		VTRS13947		WASHER D. 8 INX UNI 6592	2,00		--
0053		VTDD01694		NUT M6 INOX	2,00		--
0054		VTDD15521		NUT M 8 INX A2 UNI 5588	1,00		--
0055		VTRS13946		WASHER D. 8 X24 INX UNI 6593	2,00		--
0056		VTVT00410		SCREW TE M8x35 UNI5739 INOX	1,00		--
0057		MOCC00323		ATUATOR BRUSH HEAD CT110	1,00		--
0058		TBFX48011		TUBE FLEX D.12X3 ARMORV.PVC TR	0,18		--
0059		RCVR45752		HOSE FITTING "L" 3/8M - D.10 PLS.	1,00		--
0060		MEEV00018		SOLENOID VALVE	1,00		10/2011
0061		GUGO00268		GASKET D.21 SP.3 GOMMA	1,00		10/2011
0062		RCVR00353		CAP 1/2"G X ELETTRIV. ACL	1,00		10/2011
0063		LAFN05835		BRACKET PORTAELETTROVALVOLA	1,00		--
0064		VTVT15906		SCREW TE 6X 12 A2 UNI 5739	1,00		--
0065		VTRS13946		WASHER D. 8 X24 INX UNI 6593	2,00		--
0066		VTDD15518		NUT M 6 INX	1,00		--
0067		VTDD15925		NUT M 4 INX	2,00		--
0068		VTDD01694		NUT M6 INOX	2,00		--



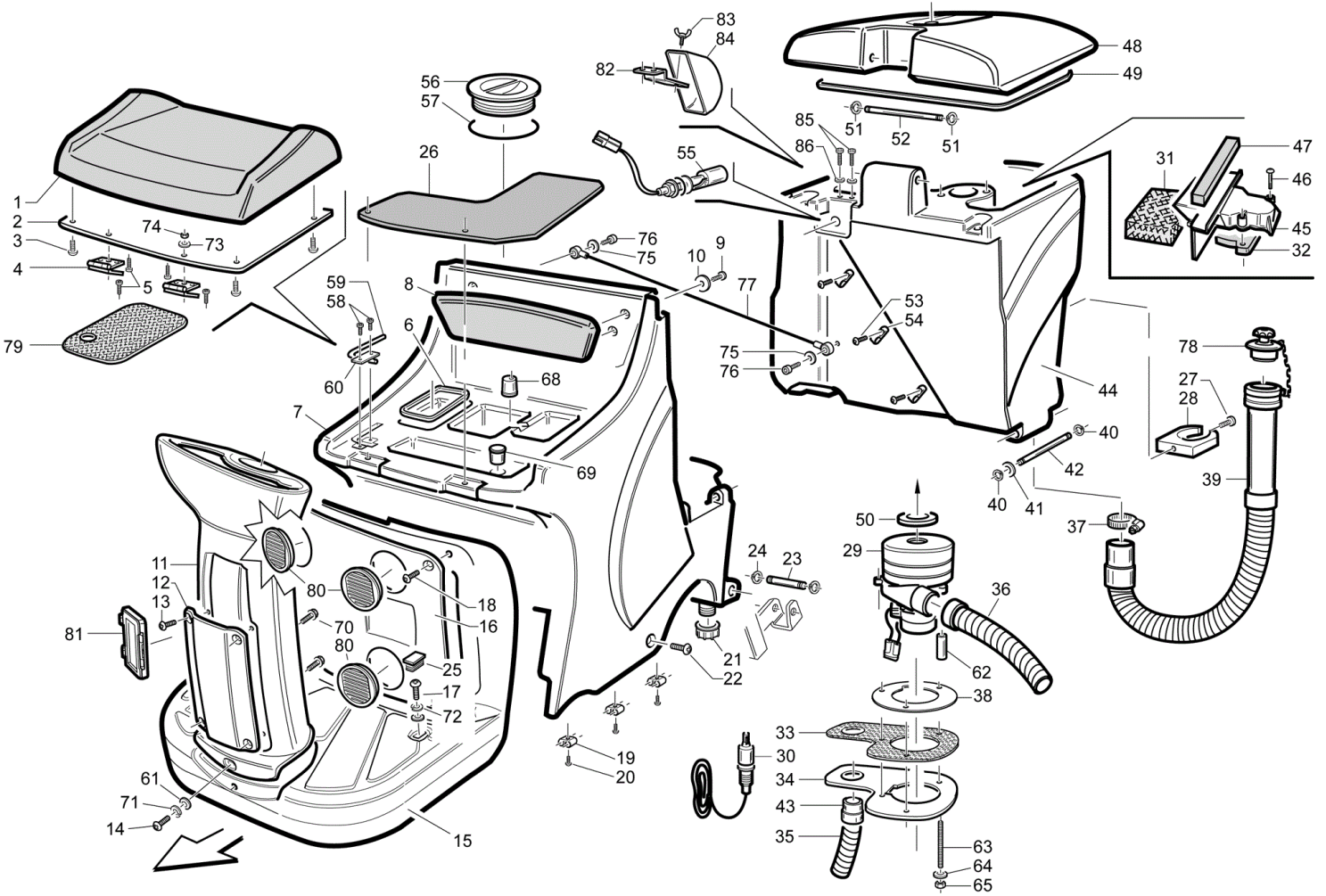
Ref.	K	Part N.	Customer Part N.	Description	Qty	Validity:		Price
						From	To	
0069		VTVT00817		SCREW TE M4x12 UNI 5739 INOX	2,00			--
0070		GUGO36290		O-RING D. 17.04 X 3.53 NBR 70SH	2,00			--
0071		GUGO00427		GASKET -	1,00			--
0072		RCVR00540		CONNECTOR	1,00			--
0073		FTAC00038		FILTER G1/2 INOX	1,00			--
0074		VTVT00699		SCREW TE M. 6-70	2,00			--
0075		VTRS13945		WASHER D. 6X18 INX UNI 6593	2,00			--
0076		RCGR00078		TAP -	1,00			--
0077		RCVR00744		CONNECTOR -	1,00			--
0078		TBFX48011		TUBE FLEX D.12X3 ARMORV.PVC TR	0,45			--
0079		MPVR05240		RING NUT G1/2	1,00			--
0080		MPVR05312		ROD M12	4,00	04/2011		--
0080		VTRS05905		WASHER ZIGRINATA	4,00		04/2011	--
0081		RCVR00109		CURVE 90°	1,00			--
0082		LAFN06366		SHEET METAL PA.FLAP	1,00		11/2008	--
0082		LAFN07081		FLANGE -	1,00	11/2008		--
0083		MPVR05223		FLAP SX	1,00			--
0084		VTRS15978		WASHER D.12X24 UNI 6592 INX	2,00			--
0085		VTDD15521		NUT M 8 INX A2 UNI 5588	2,00			--
0086		VTRS13945		WASHER D. 6X18 INX UNI 6593	8,00			--
0087		VTRS15144		WASHER D. 6 INX GRW UNI 1751	8,00			--
0088		VTRS15146		WASHER D. 8 INX GRW UNI 1751	2,00			--
0089		LAFN07360		SUPPORT PARACOLPI 700	1,00			--
0090		MPVR05461		KNOB -	4,00	09/2008		--
0091		GUVR00311		GASKET FTAC00038	1,00			--
0093		MEEV00044		SOLENOID VALVE	1,00	10/2011		--
0094		MEEV00044		SOLENOID VALVE	1,00	10/2011		--



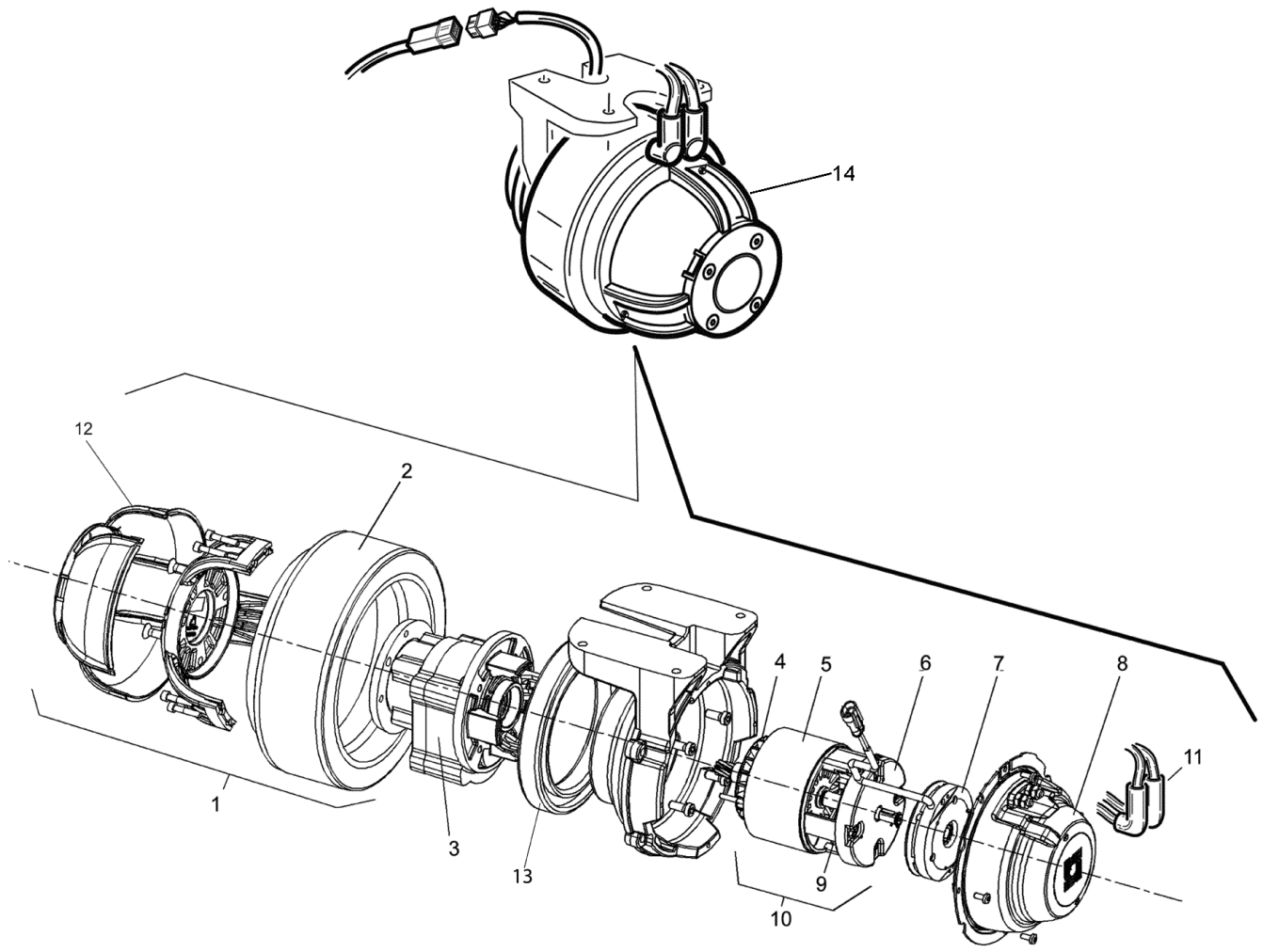
Ref.	K	Part N.	Customer Part N.	Description	Qty	Validity:		Price
						From	To	
0001		SESD00021		SEAT	1,00			--
0002		LAFN06430		PLATE CT110	1,00			--
0003		VTVT15143		SCREW TE 6X16 UNI5739	4,00			--
0004		CEVR00060		HINGE PORTA SEDILE P185	2,00			--
0005		VTVT01317		SCREW M 5X 12 TSPEI UNI 5933	4,00			--
0006		GUVR00284		GASKET CT110	1,00			--
0007		MPVR05692		TANK CT110	1,00			--
0008		SESD00020		SHEET METAL PA.CLEANTIME	1,00			--
0009		VTVT00433		SCREW TE M 6X 30 UNI 5739 INX	2,00			--
0010		VTRS13945		WASHER D. 6X18 INX UNI 6593	4,00			--
0011		MPVR05694		SIDE PANEL CT110	1,00			--
0012		MPVR05205		COVER SCHEDE POTENZA	1,00	11/2009		--
0012		MPVR05693		COVER SCHEDE POTENZA	1,00		11/2009	--
0013		VTVT00005		SCREW TE FR 5X12 ZB	4,00			--
0014		VTVT15142		SCREW TE M 6x45 INOX	1,00			--
0015		MPVR05691		PLANE CT110	1,00			--
0016		MPVR05206		COVER PANNELLO ELETTRONICA	1,00			--
0017		VTVT00433		SCREW TE M 6X 30 UNI 5739 INX	2,00			--
0018		VTVT00005		SCREW TE FR 5X12 ZB	4,00			--
0019		FSVR00243		CLAMP 20/30	3,00			--
0020		VTVT37012		SCREW M 4X 10 TCB-TC INX	3,00			--
0021		KTRI03463		CAP SCARICO SERBATOIO SOLUZ.	1,00			--
0022		VTVT00005		SCREW TE FR 5X12 ZB	1,00			--
0023		LAFN06433		PIN ROTAZIONE	2,00			--
0024		VTAE06761		CIRCLIP D. 18 UNI 7435	4,00			--
0025		MPVR05314		CAP STR35X25	2,00			--
0026		MPVR05315		ROD CT110	1,00			--
0027		VTVT15924		SCREW M 4X 16 TCB-TC UNI 7687	1,00			--
0028		MPVR05252		CLIP D.60	1,00			--
0029		MEVR05200		CARBON MOTORE ASP.AMET.116599-13	1,00			--
0029		MOCC00273		MOTOR 3 ST.24V 116598-13	1,00			--
0030		MECI00533		SENSOR VS303-51N	1,00			--
0031		FTDP00133		FILTER	1,00			--
0032		GUGO00417		GASKET SCATOLA ASPIRAZIONE	1,00			--
0033		MPVR05103		SOUND-PROOFING ASPIRATORE	1,00			--
0034		LAFN06363		FLANGE ASPIRATORE	1,00			--
0035		TBFX00244		TUBE D 34 L200MM	1,00			--
0036		TBFX00244		TUBE D 34 L200MM	1,00			--
0037		FSVR00033		CLAMP 45-60	1,00			--



Ref.	K	Part N.	Customer Part N.	Description	Qty	Validity:		Price
						From	To	
0038		MPVR04724		FLANGE IN NYLON	1,00			--
0039		TBBP00401		TUBE ACQUA SPORCA	1,00		03/2013	--
0039		TBFX00362		TUBE PU	1,00	03/2013		--
0040		VTAE14096		CIRCLIP D. 8 UNI 7435	2,00			--
0041		VTRS13947		WASHER D. 8 INX UNI 6592	1,00			--
0042		LAFN06434		PIN ROTAZIONE	1,00			--
0043		MPVR31077		BUSHING L.450	1,00			--
0044		MPVR05696		TANK CT110	1,00			--
0045		MPVR05482		BOX -	1,00			--
0046		VTVT01325		SCREW TCEI 5X35 INOX UNI5931	2,00			--
0047		GUGO00418		GASKET CONDOTTO ASPIRAZIONE	1,00			--
0048		MPVR05695		COVER CT110	1,00			--
0049		GUVR00272		GASKET CT110	1,00			--
0050		GUGO00272		GASKET VACUUM MOTOR CT	1,00			--
0051		VTVR00536		SEEGER 8	2,00			--
0052		LAFN06509		PIN ROTAZIONE	1,00			--
0053		VTVT37012		SCREW M 4X 10 TCB-TC INX	3,00			--
0054		MPVR02933		DUCT LOCK D.9,5	3,00			--
0055		MECI00516		SENSOR DI LIVELLO ORIZZONTALE	1,00			--
0056		MPVR05212		CAP -	1,00		06/2009	--
0057		GUVR00287		GASKET CT110	1,00		06/2009	--
0058		VTVT00849		SCREW M 4X 10 TSPEI INX U.5933	2,00			--
0059		LAFN06431		ROD CT110	1,00			--
0060		LAFN06432		PLATE CT110	1,00			--
0061		VTRS13945		WASHER D. 6X18 INX UNI 6593	1,00			--
0062		LAFN51077		SPACER PH	3,00			--
0063		VTVT00785		ROD FILETTO	3,00			--
0064		VTRS13945		WASHER D. 6X18 INX UNI 6593	3,00			--
0065		VTDD15518		NUT M 6 INX	3,00			--
0068		MPVR05273		CAP CT110	1,00			--
0069		MPVR05272		CAP CT110	1,00			--
0070		VTVT62920		SCREW TE F/ROND. M 6X 16 ZB	4,00			--
0071		VTRS15144		WASHER D. 6 INX GRW UNI 1751	1,00			--
0072		VTRS15144		WASHER D. 6 INX GRW UNI 1751	2,00			--
0073		VTRS00502		WASHER D. 5 0.466 UNI 6592	2,00			--
0074		VTDD15517		NUT M 5 INX	2,00			--
0075		VTRS13947		WASHER D. 8 INX UNI 6592	4,00			--
0076		VTVT13938		SCREW TE 8X20 UNI5739 INX	2,00			--
0077		CMCV00427		CABLE CT 110	1,00			--



Ref. K	Part N.	Customer Part N.	Description	Qty	Validity:		Price
					From	To	
0078	MPVR05380		CAP CT110	1,00			--
0079	GUGO00313		MOUSSE CT110	1,00			--
0080	LAFN02931		BRACKET FAN COOLER	2,00			--
0081	MEVR00232		DOOR TO REMOVE AND RESET FUSE	1,00			--
0082	LAFN07737		BRACKET -	1,00			--
0083	VTVT01150		SCREW 4x10	1,00			--
0084	MPVR05596		PROTECTION -	1,00			--
0085	VTVT15961		SCREW M 5X 16 TCB TC UNI 7687	2,00			--
0086	VTRS15908		WASHER D. 5 INX GRW UNI 1751	2,00			--



Ref. K	Part N.	Customer Part N.	Description	Qty	Validity:		Price
					From	To	
0001	RTRT00533		RING MOTORWHEEL	1,00			--
0002	RTRT00533		RING MOTORWHEEL	1,00			--
0003	RDGR00040		REDUCTION UNIT CT110	1,00			--
0006	MEVR02084		CAP CT110	1,00			--
0007	MEVR02030		BRAKE -	1,00			--
0008	MPVR06031		COWLING MOTORUOTA	1,00			--
0009	MEVR00985		BRUSHES CT110	4,00			--
0010	MOCC00399		MOTOR MP80	1,00			--
0011	MEVR00889		PIPETTE	2,00			--
0012	MPVR08044		COVER -	1,00			--
0013	CUVR00194		BEARING 61926 2RS	1,00			--
0014	KTRI02209		KIT CT230 R	1,00			--