



## Electronic Service Manuals

This electronic document is provided as a service to our customers. We do not create the contents of the information contained in this document. Should you have detailed questions pertaining to the information contained in this document, you may contact Michco, or the manufacturer which provided the original information in this electronic deliverable. Michco's only part in this electronic deliverable was the electronic assembly process. By providing this manual on line we are not guaranteeing parts availability.

You may contact Michco through the following methods:

Phone (517) 484-9312 or (800) 331-3339

2011 N. High St. -- Lansing, Michigan -- 48906

Fax: (517) 484-9836

Email: [CustServe@Michco.com](mailto:CustServe@Michco.com)

Web site: [www.Michco.Com](http://www.Michco.Com)

Parts Web site: [www.FloorMachineParts.Com](http://www.FloorMachineParts.Com)

Order Parts on Line at:

**[www.FloorMachineParts.Com](http://www.FloorMachineParts.Com)**

Directly to Parts & Service:

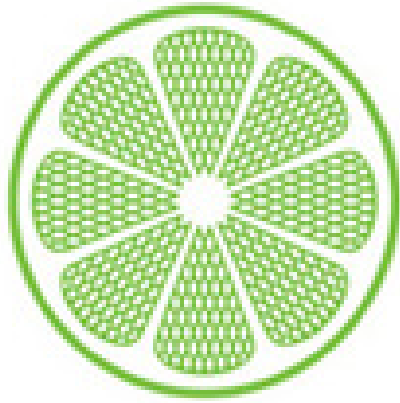
By Email: **[Shop@Michco.com](mailto:Shop@Michco.com)**

By Fax: (517) 702-2041

By Voice: Use numbers above.

**Serving the Cleaning Industry Since 1922**

Notice: All copyrighted material remains property of original owners, all trademarks are property of respective owners. Manuals are subject to Manufacturer's reproduction limitations. Originals or reproductions were provided by manufacturers through a request. We make no warranty as to the correctness of information provided in this document and you assume all risk. By placing these manuals on line we are not declaring our corporation to be an manufacturer authorized dealer or provider, please check our web site for authorized manufacturers we represent.



**IPC Integrated Professional Cleaning**

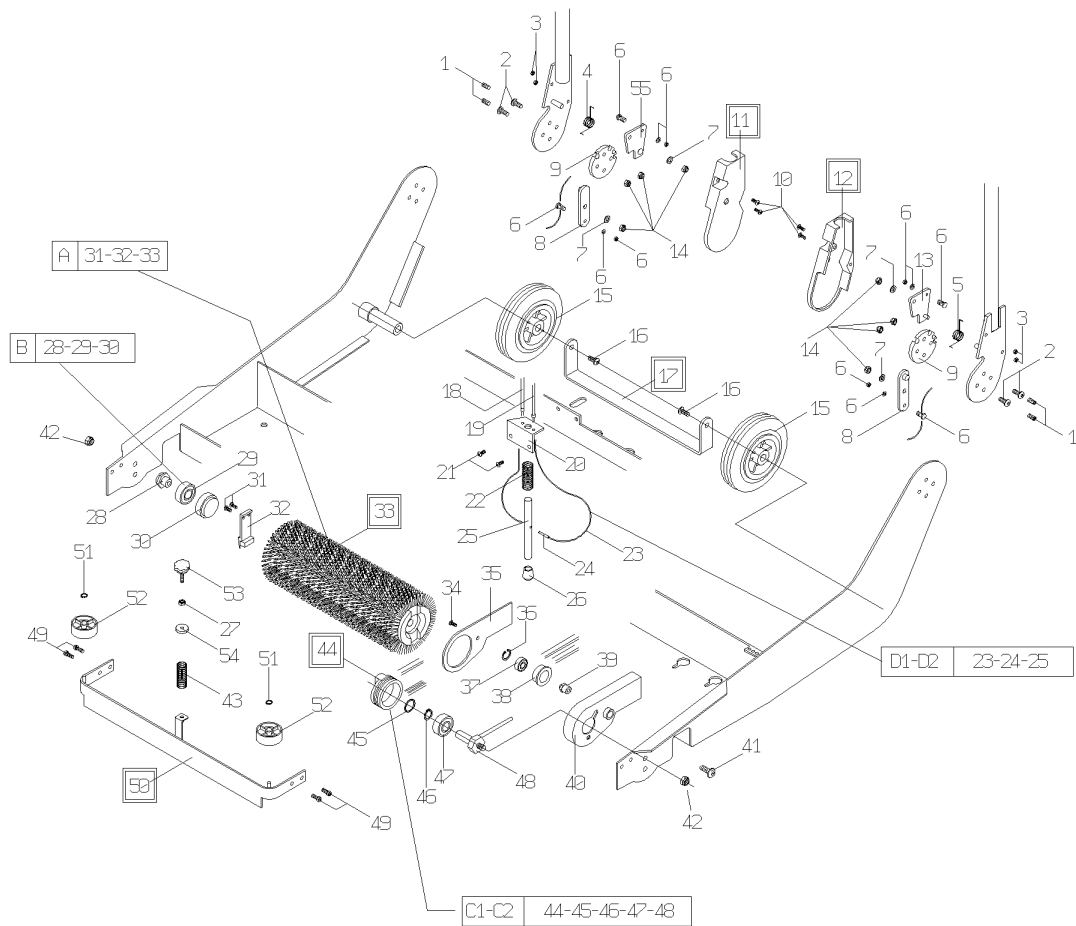
**IPC Gansow**

## Spare Parts List

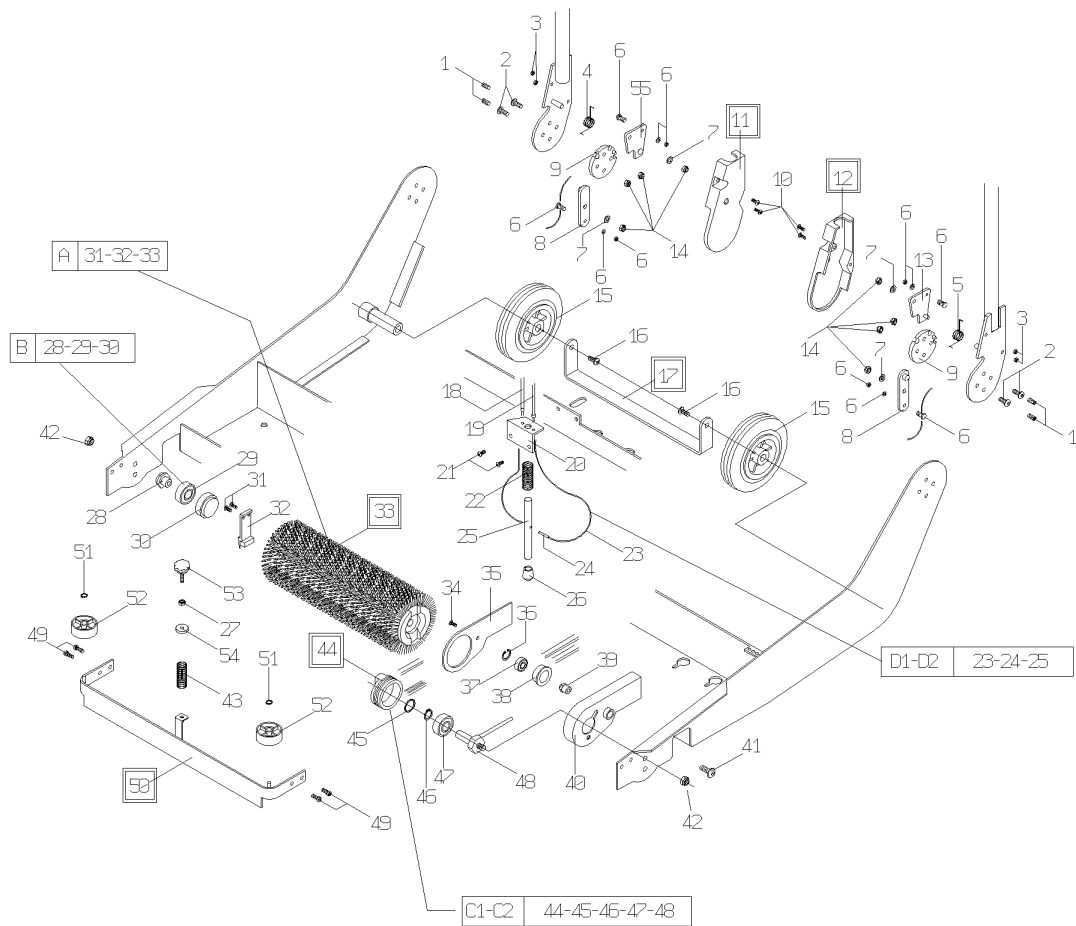
IPC EAGLE

Ref: LPTE00047

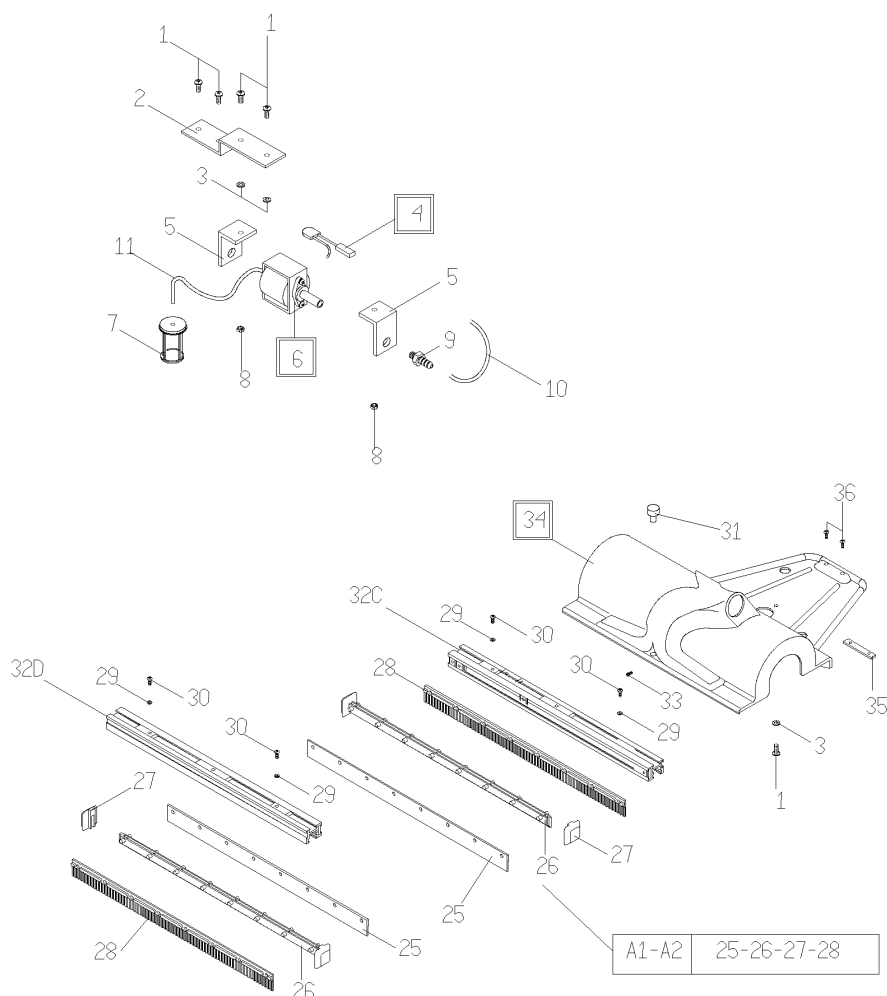
Model: Lavasciuga L15 grigio/nero 110V-60Hz USA



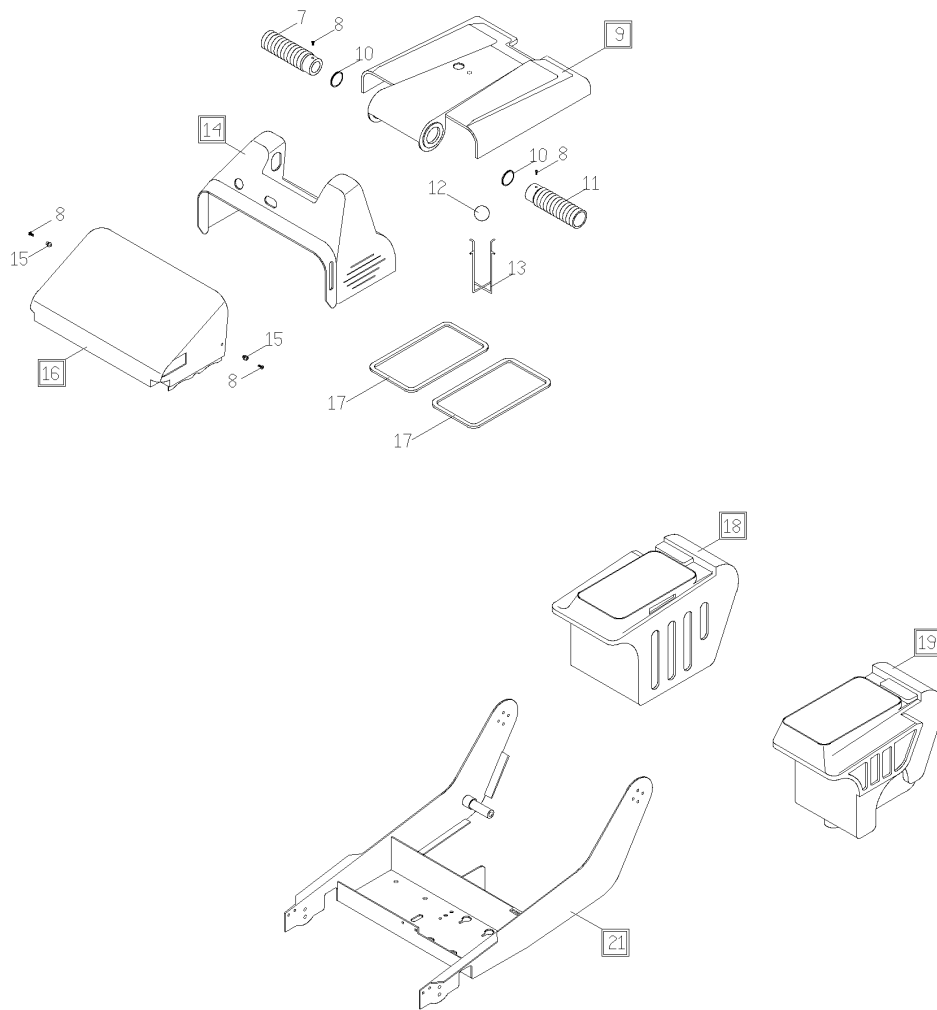
| Ref. | K | Part N.   | Customer Part N. | Description                      | Qty  | Validity:<br>From To | Price |
|------|---|-----------|------------------|----------------------------------|------|----------------------|-------|
| 0001 |   | VTVR00013 |                  | ELASTIC PLUG DIN 1481 4X16       | 4,00 |                      | --    |
| 0002 |   | VTVT00092 |                  | SCREW TBCE ISO 7380 6X22 ZB      | 4,00 |                      | --    |
| 0003 |   | VTDD00002 |                  | NUT UNI 5588 M4 ZB               | 4,00 |                      | --    |
| 0004 |   | MLML75966 |                  | SPRING L20 DX                    | 1,00 |                      | --    |
| 0005 |   | MLML75967 |                  | SPRING L20 SX                    | 1,00 |                      | --    |
| 0006 |   | CMCV85746 |                  | CLAMP L 15-20 TK1125027          | 4,00 |                      | --    |
| 0007 |   | VTRS86634 |                  | WASHER 6X18X1,5 UNI6593          | 4,00 |                      | --    |
| 0008 |   | LAFN00365 |                  | LEVER SOLLEVAMENTO L15-L20 ZINC  | 2,00 |                      | --    |
| 0009 |   | LAFN75914 |                  | DISC L15-20                      | 2,00 |                      | --    |
| 000A |   | SPPV39127 |                  | BRUSH NYL 100 E35 TK             | 1,00 |                      | --    |
| 000B |   | LAFN85962 |                  | PIN L 15-20 TK23102021           | 1,00 |                      | --    |
| 0010 |   | VTVT00056 |                  | SCREW TSCE 4X12 ACCIAIO INOX     | 4,00 |                      | --    |
| 0011 |   | MPVR48746 |                  | CRANKCASE L.15 DX                | 1,00 |                      | --    |
| 0012 |   | MPVR86590 |                  | COVER SX L 20 TK21202010         | 1,00 |                      | --    |
| 0013 |   | LAFN75956 |                  | LEVER L15-20 SX                  | 1,00 |                      | --    |
| 0014 |   | VTDD00010 |                  | NUT AUTOBLOK DIN 985 M6 BASSO    | 8,00 |                      | --    |
| 0015 |   | RTRT86564 |                  | WHEEL d.150X15 L15/L20           | 2,00 |                      | --    |
| 0016 |   | VTVT01109 |                  | SCREW TE M 6X 10 ZC. UNI 5739    | 2,00 |                      | --    |
| 0017 |   | LAFN85867 |                  | SUPPORT L 15 TK22602031          | 1,00 |                      | --    |
| 0018 |   | CMCV00041 |                  | SHEATH CAVO ASTA SOLLEV.DX L15   | 1,00 |                      | --    |
| 0019 |   | CMCV00043 |                  | SHEATH CAVO ASTA SOLLEV.SX 730mm | 1,00 |                      | --    |
| 0020 |   | LAFN85861 |                  | BRACKET L 15-20 TK22602011       | 1,00 |                      | --    |
| 0021 |   | VTVT75725 |                  | SCREW TBEI M 6X 10 ISO 7380 ZB   | 4,00 |                      | --    |
| 0022 |   | MLML85862 |                  | SPRING D.16X72X2 TK22052011      | 1,00 |                      | --    |
| 0023 |   | CMCV85863 |                  | CABLE D.1,9 L.2200 TK21252001    | 1,00 |                      | --    |
| 0024 |   | VTVR00014 |                  | ELASTIC PLUG DIN 1481 4X36       | 1,00 |                      | --    |
| 0025 |   | ALTR00037 |                  | ROD SOLLEV.MACCHINA L15-L20      | 1,00 |                      | --    |
| 0026 |   | MPVR00065 |                  | PROD A GOCCIA D.10               | 1,00 |                      | --    |
| 0027 |   | VTDD00004 |                  | NUT M 6 ZC UNI5588               | 1,00 |                      | --    |
| 0028 |   | LAFN75977 |                  | BRUSH PIN L15-20                 | 1,00 |                      | --    |
| 0029 |   | CUVR06174 |                  | BALL BEARING 6002-2RS1           | 1,00 |                      | --    |
| 0030 |   | LAFN75843 |                  | BUSHING L20                      | 1,00 |                      | --    |
| 0031 |   | VTVT00100 |                  | SCREW AUTOF.TC UNI 6954 3,9X16   | 2,00 |                      | --    |
| 0032 |   | PMVR00333 |                  | LEVER AGGANCI0 SPAZZOLA COMPL.   | 1,00 |                      | --    |
| 0033 |   | SPPV00025 |                  | BRUSH D.100X375 NYLON L15        | 1,00 |                      | --    |
| 0034 |   | VTVT37012 |                  | SCREW M 4X 10 TCB-TC INX         | 1,00 |                      | --    |
| 0035 |   | CHVR75870 |                  | CLOSURE L15-20                   | 1,00 |                      | --    |
| 0036 |   | VTAE87082 |                  | SEGER INTERNO DIN 472 D.22       | 1,00 |                      | --    |
| 0037 |   | CUVR71988 |                  | BEARING 608 2RS                  | 1,00 |                      | --    |



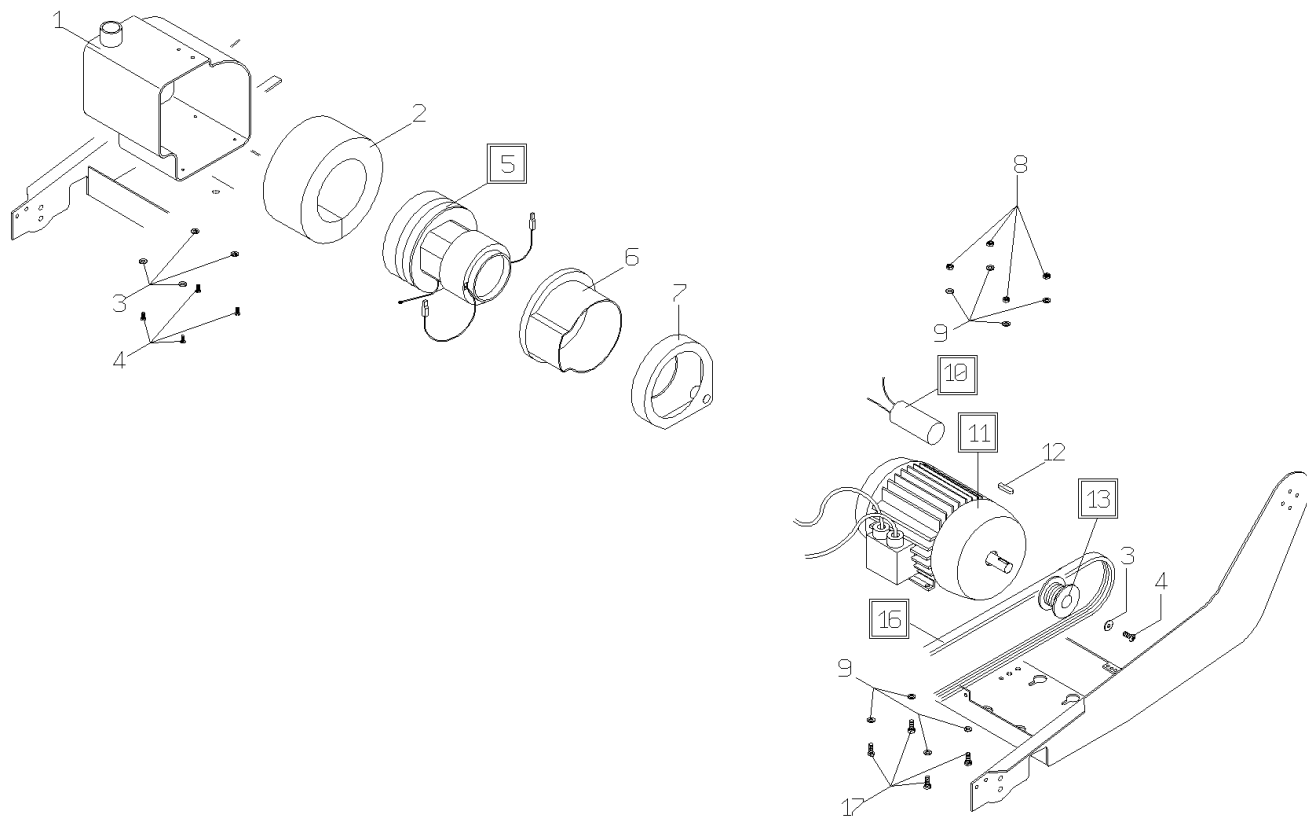
| Ref. K | Part N.   | Customer Part N. | Description                      | Qty  | Validity: |    | Price |
|--------|-----------|------------------|----------------------------------|------|-----------|----|-------|
|        |           |                  |                                  |      | From      | To |       |
| 0038   | MTPL76051 |                  | ROLLER L20                       | 1,00 |           |    | --    |
| 0039   | LAFN86482 |                  | PIN RINVIO RULLO L=15            | 1,00 |           |    | --    |
| 0040   | MPVR75871 |                  | BELT CRANK CASEL15-20            | 1,00 |           |    | --    |
| 0041   | VTVT75725 |                  | SCREW TBEI M 6X 10 ISO 7380 ZB   | 1,00 |           |    | --    |
| 0042   | VTDD00124 |                  | NUT M 8 BASSO                    | 2,00 |           |    | --    |
| 0043   | MLML00032 |                  | SPRING CO-41 ZB                  | 1,00 |           |    | --    |
| 0044   | MTPL85801 |                  | PULLEY POLY-V J4                 | 1,00 |           |    | --    |
| 0045   | GUVR76741 |                  | GASKET DIN 3760 12X22X5 TCV      | 1,00 |           |    | --    |
| 0046   | VTAE06193 |                  | CIRCLIP D. 20 UNI 7435           | 1,00 |           |    | --    |
| 0047   | CUVR19846 |                  | BALL BEARING 6004 2RS1           | 1,00 |           |    | --    |
| 0048   | LAFN76759 |                  | PIN L20                          | 1,00 |           |    | --    |
| 0049   | VTVT75733 |                  | SCREW TBEI M 5X 12 ISO 7380 ZB   | 4,00 |           |    | --    |
| 0050   | LAFN01109 |                  | BUMPER L15 NERO                  | 1,00 |           |    | --    |
| 0051   | VTAE13935 |                  | CIRCLIP D. 7 UNI 7435            | 2,00 |           |    | --    |
| 0052   | RTRT76001 |                  | WHEEL d.40x17                    | 2,00 |           |    | --    |
| 0053   | VTVR00046 |                  | HANDWHEEL D.25 M6X25             | 1,00 |           |    | --    |
| 0054   | LAFN00178 |                  | BUSHING PORTAMOLLA REGOL.SQEEGEE | 1,00 |           |    | --    |
| 0055   | LAFN75955 |                  | LEVER L15-20 DX                  | 1,00 |           |    | --    |
| 00C1   | PMTR00053 |                  | PULLEY CONDOTTA L15 COMPLETA     | 1,00 |           |    | --    |
| 00D1   | PMVR00324 |                  | ROD SOLLEV.MACCHINA L15 COMPL    | 1,00 |           |    | --    |



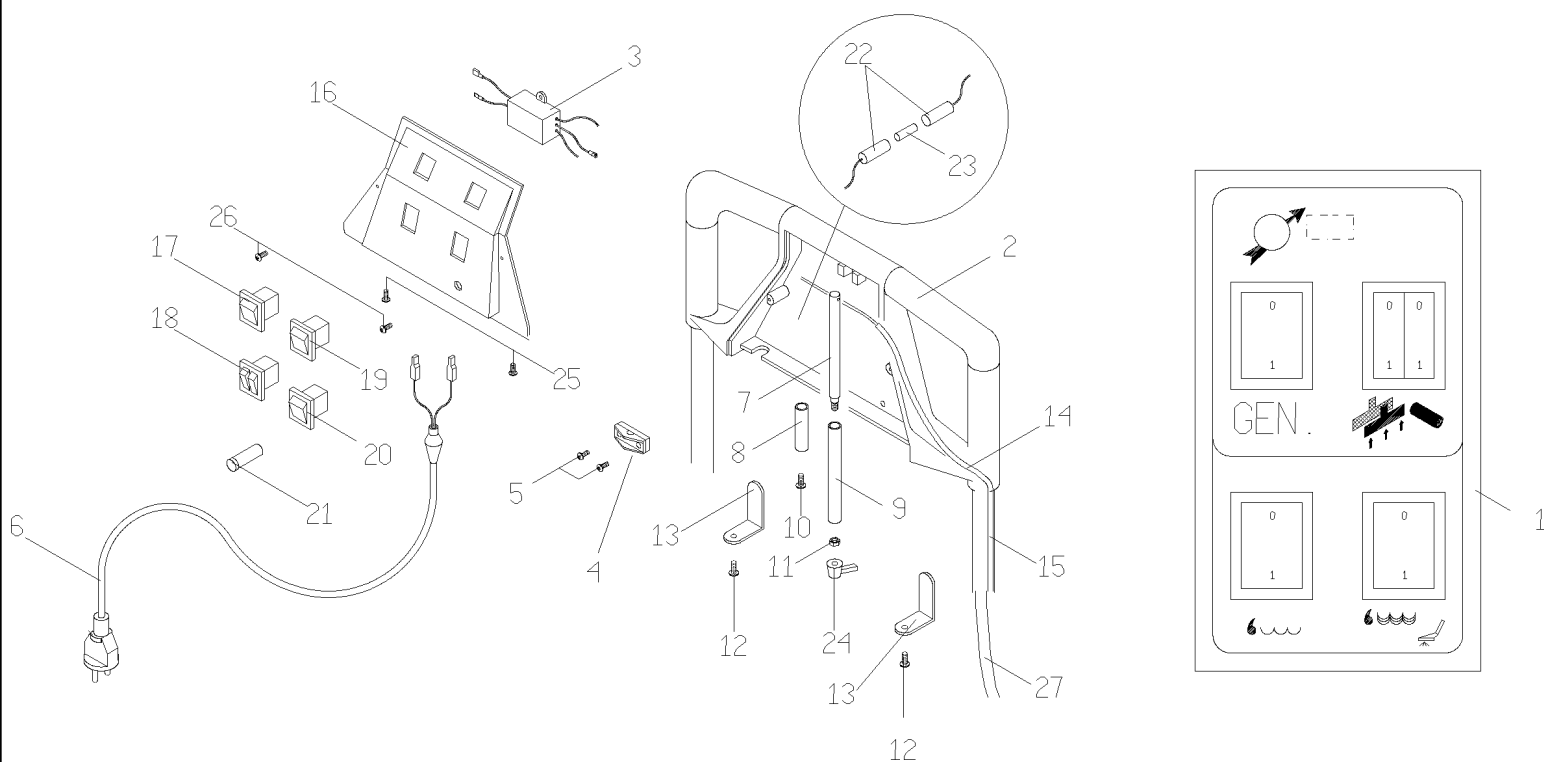
| Ref. | K | Part N.   | Customer Part N. | Description                       | Qty   | Validity:<br>From To | Price |
|------|---|-----------|------------------|-----------------------------------|-------|----------------------|-------|
| 0001 |   | VTVT15924 |                  | SCREW M 4X 16 TCB-TC UNI 7687     | 9,00  |                      | --    |
| 0002 |   | LAFN00858 |                  | SUPPORT BRACKETPOMPA L15 ZINCATA  | 1,00  |                      | --    |
| 0003 |   | VTRS05904 |                  | WASHER D. 4 X16 2.083             | 11,00 |                      | --    |
| 0004 |   | METK42068 |                  | KLIKSON L15-20 220V               | 1,00  |                      | --    |
| 0005 |   | ABGO00010 |                  | SUPPORT ANTIVIBRANTE POMPA L15-20 | 2,00  |                      | --    |
| 0006 |   | PPEL41833 |                  | PUMP BY-P.100 -120V               | 1,00  |                      | --    |
| 0007 |   | FTDT76074 |                  | FILTER L 15-20                    | 1,00  |                      | --    |
| 0008 |   | VTDD00002 |                  | NUT UNI 5588 M4 ZB                | 2,00  |                      | --    |
| 0009 |   | RCVR00004 |                  | CONNECTOR PORTAGOMMA 1/8" D.7     | 1,00  |                      | --    |
| 0010 |   | TBBP00034 |                  | TUBE ACQUA SPAZ.L15-C A MISURA    | 1,00  |                      | --    |
| 0011 |   | TBBP00033 |                  | TUBE SOLUZIONE L15-L20 A MISUR    | 1,00  |                      | --    |
| 0025 |   | MPVR75937 |                  | COUNTERBLADE TERSY15 TK21602000   | 2,00  |                      | --    |
| 0026 |   | MEVR76010 |                  | SUPPORT LAME TERSY L15            | 2,00  |                      | --    |
| 0027 |   | MPVR76011 |                  | CAP L20                           | 2,00  |                      | --    |
| 0028 |   | MPVR75938 |                  | BLADE TERSY 15                    | 2,00  |                      | --    |
| 0029 |   | VTRS15959 |                  | WASHER D. 4X12 UNI 6593           | 9,00  |                      | --    |
| 0030 |   | VTVT00037 |                  | SCREW AUTOF.TC UNI 6954 3,5X19    | 4,00  |                      | --    |
| 0031 |   | LAFN48747 |                  | SPRING GUIDE L20                  | 1,00  |                      | --    |
| 0033 |   | VTVT00058 |                  | SCREW TCEI M 5X12 ZB U.5931       | 1,00  |                      | --    |
| 0034 |   | LAFN75875 |                  | SLIDE ASPIRAZIONE                 | 1,00  |                      | --    |
| 0035 |   | LAFN00864 |                  | BRACKET FISS.SLITTA ASPIR.L15-L20 | 1,00  |                      | --    |
| 0036 |   | VTVT75733 |                  | SCREW TBEI M 5X 12 ISO 7380 ZB    | 2,00  |                      | --    |
| 00A1 |   | MPVR39125 |                  | RUBBER 150 E35 TK 4PZ.            | 1,00  |                      | --    |
| 032C |   | MEVR76012 |                  | SUPPORT GOMME SQUEEGEE L15        | 1,00  |                      | --    |
| 032D |   | MEVR76012 |                  | SUPPORT GOMME SQUEEGEE L15        | 1,00  |                      | --    |



| Ref. | K | Part N.   | Customer Part N. | Description                      | Qty  | Validity: |    | Price |
|------|---|-----------|------------------|----------------------------------|------|-----------|----|-------|
|      |   |           |                  |                                  |      | From      | To |       |
| 0007 |   | TBBP86556 |                  | TUBE ESTENSIBILE mm120 L15       | 1,00 |           |    | --    |
| 0008 |   | VTVT75726 |                  | SCREW TBEI M 6X 16 ISO 7380 ZB   | 4,00 |           |    | --    |
| 0009 |   | MPVR00439 |                  | COVER L15 GRIGIO SILVER          | 1,00 |           |    | --    |
| 0010 |   | GUGO01943 |                  | O-RING D. 34.6 X 2.62 NBR 70SH   | 2,00 |           |    | --    |
| 0011 |   | TBFX86242 |                  | TUBE FLEX L15/20 L.250           | 1,00 |           |    | --    |
| 0012 |   | SFVR00003 |                  | BALL X GALLEGGIANTE L15-L20      | 1,00 |           |    | --    |
| 0013 |   | LAFN01107 |                  | CAGE GALLEGGIANTE                | 1,00 |           |    | --    |
| 0014 |   | MPVR00428 |                  | HOOD L15 GRIGIO SILVER           | 1,00 |           |    | --    |
| 0015 |   | VTDD00013 |                  | NUT INGABBIATO UNI 3740 M6       | 2,00 |           |    | --    |
| 0016 |   | MPVR00452 |                  | DRAWER L 15 GRIGIO SILVER        | 1,00 |           |    | --    |
| 0017 |   | GUGO00050 |                  | GASKET MOUSSE X SERBATOIO L15/20 | 2,00 |           |    | --    |
| 0018 |   | MPVR00433 |                  | TANK RECUPERO L15-L20 NERO       | 1,00 |           |    | --    |
| 0019 |   | MPVR00434 |                  | TANK SOLVENTE L15-L20 NERO       | 1,00 |           |    | --    |
| 0021 |   | LAFN01043 |                  | FRAME L15 NERO RAL9011           | 1,00 |           |    | --    |

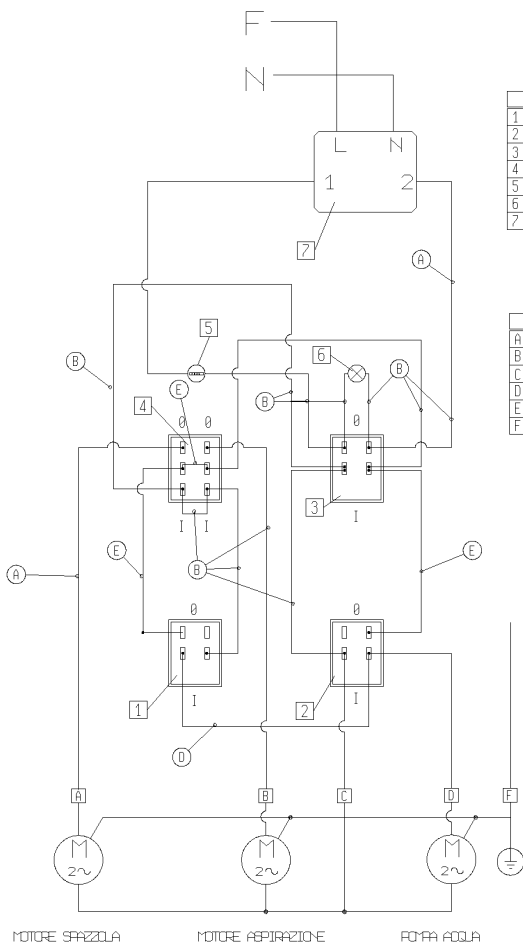


| Ref. K | Part N.   | Customer Part N. | Description                    | Qty  | Validity: |    | Price |
|--------|-----------|------------------|--------------------------------|------|-----------|----|-------|
|        |           |                  |                                |      | From      | To |       |
| 0001   | KTRI00209 |                  | CRANKCASE ASPIRAZIONE          | 1,00 |           |    | --    |
| 0002   | GUVR75941 |                  | GASKET L15 MAPPYSIL            | 1,00 |           |    | --    |
| 0003   | VTRS05904 |                  | WASHER D. 4 X16 2.083          | 5,00 |           |    | --    |
| 0004   | VTVT15924 |                  | SCREW M 4X 16 TCB-TC UNI 7687  | 4,00 |           |    | --    |
| 0005   | MOMO00002 |                  | MOTOR ASPIRAZIONE L15-L20 110V | 1,00 |           |    | --    |
| 0006   | MPVR42297 |                  | CRANKCASE E 35                 | 1,00 |           |    | --    |
| 0007   | MPVR75877 |                  | MANIFOLD TK21202043            | 1,00 |           |    | --    |
| 0008   | VTDD00004 |                  | NUT M 6 ZC UNI5588             | 4,00 |           |    | --    |
| 0009   | VTRS86634 |                  | WASHER 6X18X1,5 UNI6593        | 8,00 |           |    | --    |
| 0010   | MECO85015 |                  | CAPACITOR 80 MF 450V M8 55X136 | 1,00 |           |    | --    |
| 0011   | MOMO00223 |                  | MOTOR SPAZZOLA L15 110V-60Hz   | 1,00 |           |    | --    |
| 0012   | VTVR31039 |                  | KEY 5X 5X10 UNI 6604A          | 1,00 |           |    | --    |
| 0013   | MTPL85735 |                  | PULLEY 4 G TK22502021          | 1,00 |           |    | --    |
| 0016   | MTCG31927 |                  | BELT J4 559                    | 1,00 |           |    | --    |
| 0017   | VTVT00090 |                  | SCREW TE UNI 5739 6X25 ZB      | 4,00 |           |    | --    |



| Ref. K | Part N.   | Customer Part N. | Description                       | Qty  | Validity: |    | Price |
|--------|-----------|------------------|-----------------------------------|------|-----------|----|-------|
|        |           |                  |                                   |      | From      | To |       |
| 0001   | ETET00127 |                  | LABEL CRUSCOTTO L15 GR 8X14.3     | 1,00 |           |    | --    |
| 0002   | LAFN00412 |                  | HANDLE L 15 NERO                  | 1,00 |           |    | --    |
| 0003   | MECE87073 |                  | FILTER A.DISTURBO L15-L20         | 1,00 |           |    | --    |
| 0004   | MEVR00120 |                  | FAIR-LEAD PA 238 RO               | 1,00 |           |    | --    |
| 0005   | VTVT00106 |                  | SCREW AUTOFIL. TC 3,5X14,5        | 2,00 |           |    | --    |
| 0006   | MECB00115 |                  | CABLE L15-L20 USA                 | 1,00 |           |    | --    |
| 0007   | LAFN00553 |                  | PIN COMANDO SGANC.MANICO L15      | 1,00 |           |    | --    |
| 0008   | LAFN00179 |                  | BUSHING FERMO LEVA MAN.D.10X4X20  | 1,00 |           |    | --    |
| 0009   | MPVR85860 |                  | SHEATH L 15 TK21252005            | 1,00 |           |    | --    |
| 0010   | VTVT00094 |                  | SCREW AUTOF.TC UNI 6954 3,9X32    | 1,00 |           |    | --    |
| 0011   | VTDD00004 |                  | NUT M 6 ZC UNI5588                | 2,00 |           |    | --    |
| 0012   | VTVT00099 |                  | SCREW AUTOF.TC UNI 6954 3,9X13    | 4,00 |           |    | --    |
| 0013   | LAFN00862 |                  | BRACKET AGGANCIO CAVO L15         | 2,00 |           |    | --    |
| 0014   | CMCV75908 |                  | RELEASE CABLE 1800MM TER-15       | 1,00 |           |    | --    |
| 0015   | MPVR86351 |                  | SHEATH L 15 TK21252006            | 1,00 |           |    | --    |
| 0016   | MPVR00474 |                  | INSTR.PANEL ANTERIORE MANICO L 15 | 1,00 |           |    | --    |
| 0017   | MECI75809 |                  | SWITCH BIP. 250V ORG.             | 1,00 |           |    | --    |
| 0018   | MECI75811 |                  | SWITCH BIP. 250V RD.OR.           | 1,00 |           |    | --    |
| 0019   | MECI75812 |                  | BUTTON BIP. ARN                   | 1,00 |           |    | --    |
| 0020   | MECI75810 |                  | SWITCH BIP. 250V RD.              | 1,00 |           |    | --    |
| 0021   | MEVR00136 |                  | LAMP SOCKET +LAMPADA L15-L20 220V | 1,00 |           |    | --    |
| 0022   | MEVR85718 |                  | FUSE-HOLDER 6X32 TK13802014       | 1,00 |           |    | --    |
| 0023   | MEVR00128 |                  | FUSE 20a 230v 6x32                | 1,00 |           |    | --    |
| 0024   | MPVR00032 |                  | LEVER 48 M6 SGANCIO MANICO L 15   | 1,00 |           |    | --    |
| 0025   | VTVT00098 |                  | SCREW AUTOF.TC UNI 6954 3,9X9,5   | 2,00 |           |    | --    |
| 0026   | VTVT17336 |                  | SCREW 4X45 TCB UNI7687            | 1,00 |           |    | --    |
| 0027   | MECB00105 |                  | CABLE X CABLAG.PRINCIPALE L15     | 1,00 |           |    | --    |

IMPIANTO ELETTRICO L15



| - I -                       | - (B) -           | - D -                 | - F -                    |
|-----------------------------|-------------------|-----------------------|--------------------------|
| 1 Interruttore acqua        | Water pump switch | Schalter Wasserpumpe  | Interr. pompe de l'eau   |
| 2 Pulsante pompa acqua      | Water pump button | Drukknopf Wasserpumpe | Bouton pompe de l'eau    |
| 3 Interruttore generale     | Main switch       | Hauptschalter         | Interr. pour general     |
| 4 Interr. spazzola/aspiraz. | Brushless switch  | Doppelstich/Schleuse  | Interr. brosses/aspirat. |
| 5 Fusibile 10A              | Fuse 10A          | Sicherung 10A         | Fusible 10A              |
| 6 Spia rete                 | Net bulb          | Netzlampe             | Calotte avec lampe       |
| 7 Filtro antistato          | Filter            | Filter                | Filter                   |

| - I -     | - (B) -    | - D -    | - F -           |
|-----------|------------|----------|-----------------|
| A Marrone | Brown      | Braun    | Marron          |
| B Nero    | Black      | Schwarz  | Noir            |
| C Azzurro | Light blue | Hellblau | Bleu clair      |
| D Blu     | Blue       | Blau     | Bleu            |
| E Rosso   | Red        | Rot      | Rouge           |
| F Terra   | Grounding  | Erdfing  | Mise a la terre |

| Ref. K | Part N.   | Customer Part N. | Description                       | Qty  | Validity: |    | Price |
|--------|-----------|------------------|-----------------------------------|------|-----------|----|-------|
|        |           |                  |                                   |      | From      | To |       |
| 0001   | MECI75809 |                  | SWITCH BIP. 250V ORG.             | 1,00 |           |    | --    |
| 0002   | MECI75812 |                  | BUTTON BIP. ARN                   | 1,00 |           |    | --    |
| 0003   | MECI75810 |                  | SWITCH BIP. 250V RD.              | 1,00 |           |    | --    |
| 0004   | MECI75811 |                  | SWITCH BIP. 250V RD.OR.           | 1,00 |           |    | --    |
| 0005   | MEVR00080 |                  | FUSE-HOLDER PV610 10A             | 1,00 |           |    | --    |
| 0006   | MEVR00136 |                  | LAMP SOCKET +LAMPADA L15-L20 220V | 1,00 |           |    | --    |
| 0007   | MECE87073 |                  | FILTER A.DISTURBO L15-L20         | 1,00 |           |    | --    |