



Electronic Service Manuals

This electronic document is provided as a service to our customers. We do not create the contents of the information contained in this document. Should you have detailed questions pertaining to the information contained in this document, you may contact Michco, or the manufacturer which provided the original information in this electronic deliverable. Michco's only part in this electronic deliverable was the electronic assembly process. By providing this manual on line we are not guaranteeing parts availability.

You may contact Michco through the following methods:

Phone (517) 484-9312 or (800) 331-3339

2011 N. High St. -- Lansing, Michigan -- 48906

Fax: (517) 484-9836

Email: CustServe@Michco.com

Web site: www.Michco.Com

Parts Web site: www.FloorMachineParts.Com

Order Parts on Line at:

www.FloorMachineParts.Com

Directly to Parts & Service:

By Email: **Shop@Michco.com**

By Fax: (517) 702-2041

By Voice: Use numbers above.

Serving the Cleaning Industry Since 1922

Notice: All copyrighted material remains property of original owners, all trademarks are property of respective owners. Manuals are subject to Manufacturer's reproduction limitations. Originals or reproductions were provided by manufacturers through a request. We make no warranty as to the correctness of information provided in this document and you assume all risk. By placing these manuals on line we are not declaring our corporation to be an manufacturer authorized dealer or provider, please check our web site for authorized manufacturers we represent.

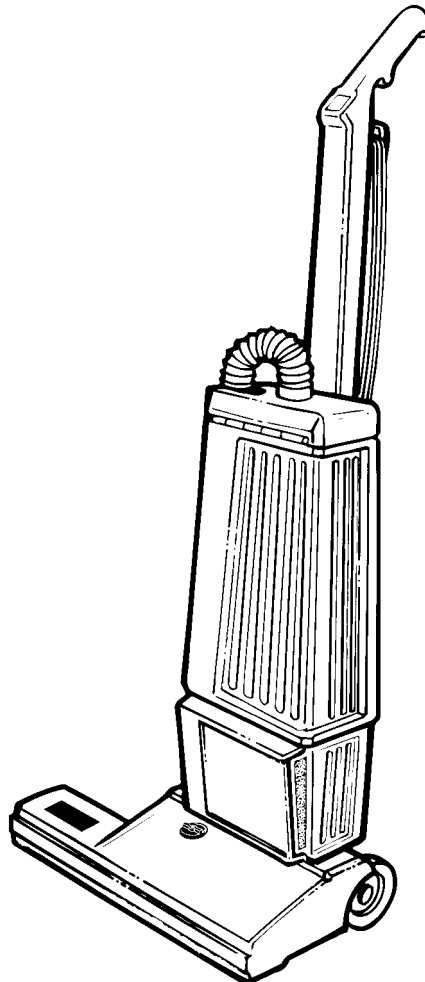
Castex®

UV-1600

Lightweight Dual Motor Vacuum

Model No.:
607446

Operator and Parts Manual
Manual de Operación y de Piezas

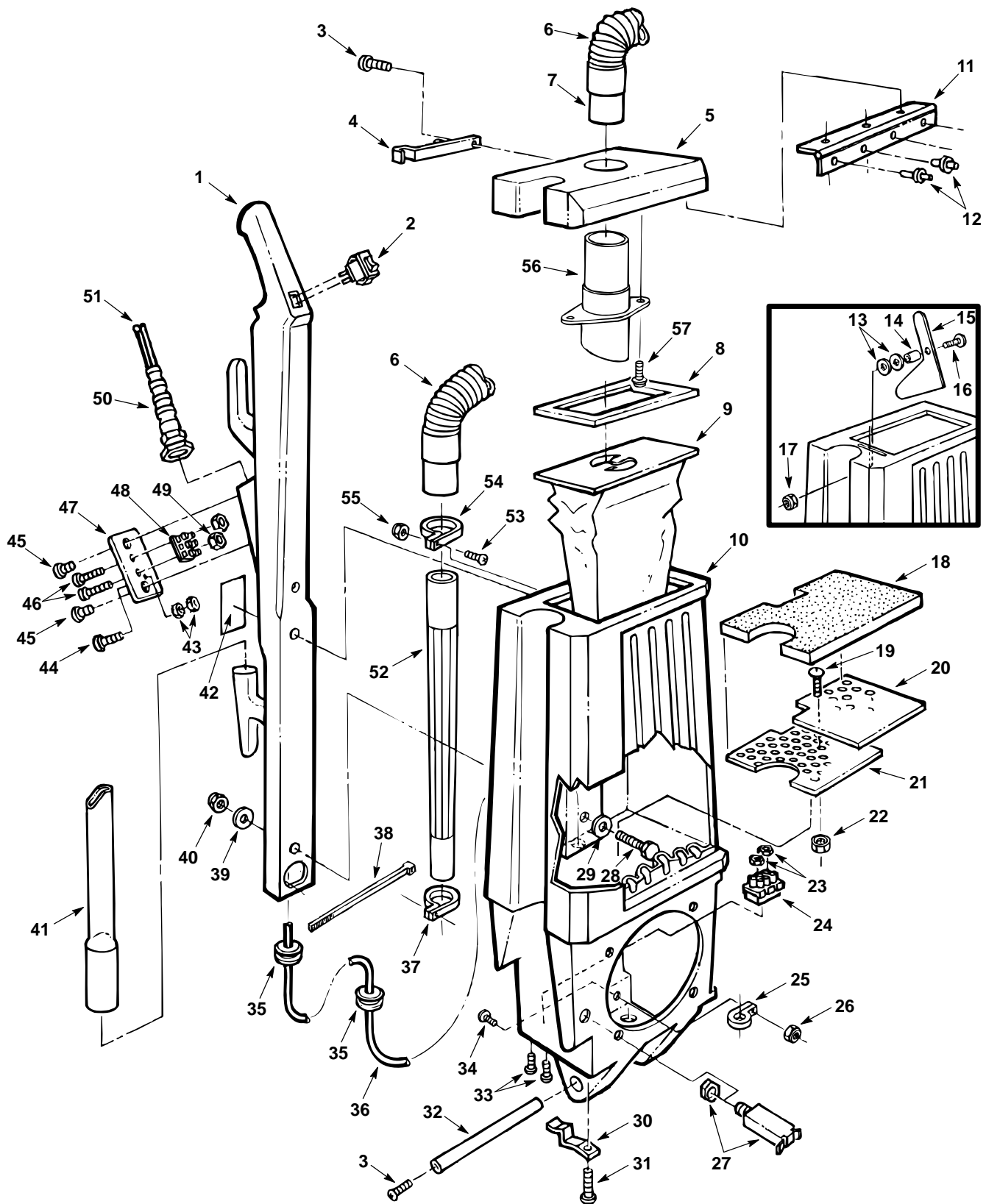


CASTEX
12875 RANSOM STREET
HOLLAND MI 49424 U.S.A.

FAX: 1-800-678-4240
CUSTOMER SERVICE: 1-800-964-9644

608268
Rev. 00 (07-99)

HANDLE DIAGRAM
DIAGRAMA DE LA MANIJA DE EXTENSIÓN



**HANDLE DIAGRAM
LISTA DE PIEZAS DE LA MANIJA DE EXTENSIÓN**

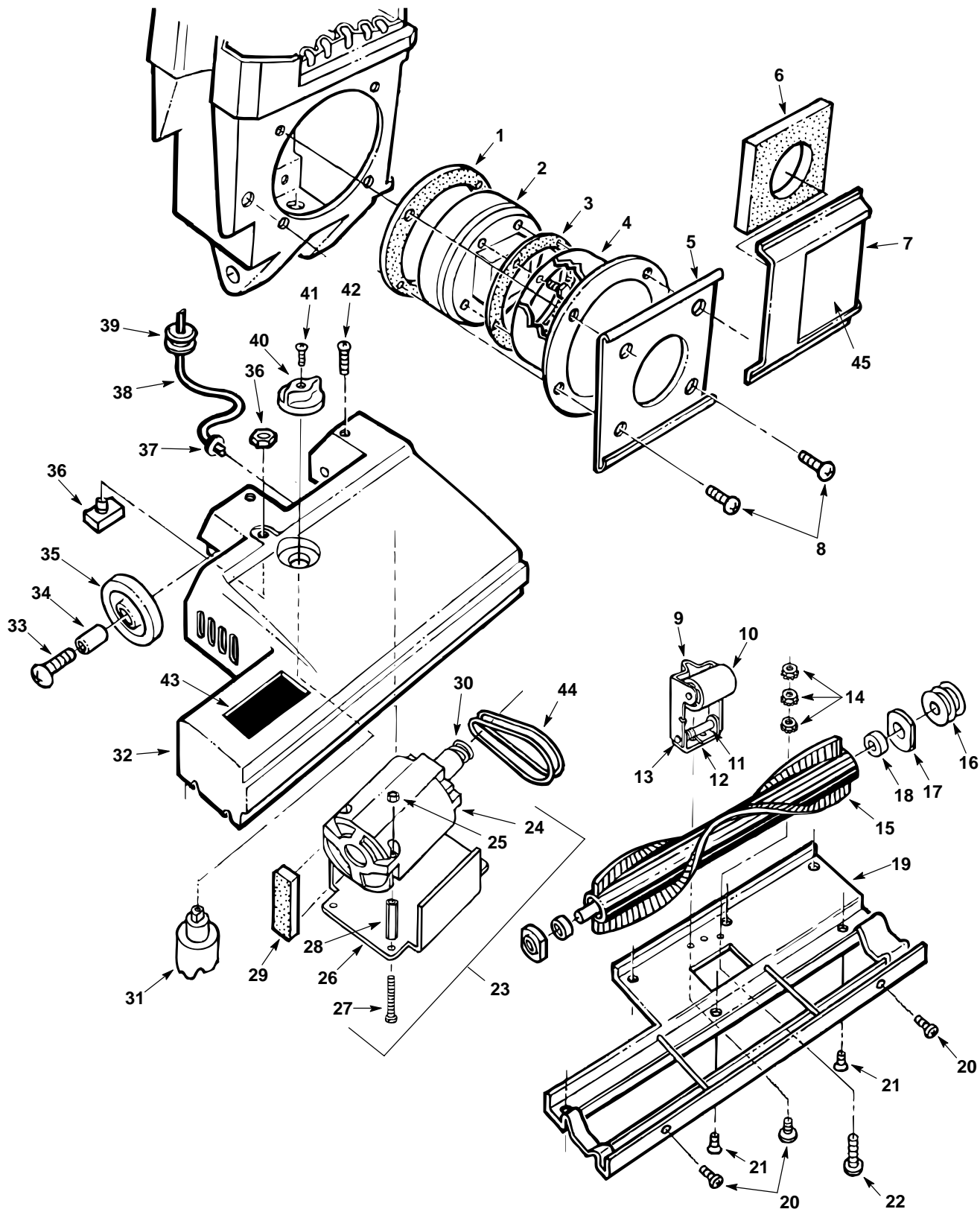
REF	PART #	DESCRIPTION	QTY.
1	100394	HANDLE, BLUE 120V	1
2	130717	●SWITCH, ROCKER ON/OFF 120V	1
3	*604930	●SCREW, M5 X .8 X 10	1
4	*605016	●LATCH, COVER	1
5	602709	COVER, BAG, BLUE	1
6	160475	●HOSE, VAC	1
7	160471	●HOSE CUFF	2
8	100141	●GASKET, COVER	1
9	900000	●BAG, VACUUM PAPER (CASE OF 100)	1
10	100396	HOUSING, BAG, BLUE	1
11	230626	●HINGE, COVER	1
12	140706	●RIVET, POP (BAG HSG)	4
	600856	RIVET, POP (COVER)	3
13	140000	WASHER, FLAT	2
14	140142	BUSHING	1
15	231046	PLATE, BAG LOCKOUT	1
16	140823	SCREW, 10-24X5/8	1
17	140552	NUT, LOCK	1
18	102530	●FILTER, HOUSING	1
19	140837	SCREW, 10-24X3/8	1
20	180634	SCREEN, BAG HSG BLACK	1
21	180635	SCREEN, BAG HSG W/HALF MOON	1
22	140552	NUT, LOCK	1
23	140534	NUT, NYLON	2
24	130005	TERMINAL STRIP	1
25	140304	CLAMP	1
26	28990	NUT, LOCK	1
27	130760	●BREAKER, CIRCUIT 1.5AMP (120V)	1
	130769	BREAKER, CIRCUIT .8AMP (220V)	1
28	140221	SCREW, 5/16-18X1 1/4	2
29	140027	WASHER, FLAT	4
30	140422	SPRING, LATCH HANDLE	2
31	140837	SCREW, 10-24X3/8	2
32	230618	SHAFT, PIVOT	1

REF	PART #	DESCRIPTION	QTY.
33	140946	SCREW, 6-32X1	2
34	140802	SCREW, 8-32X5/8	1
35	22868	GROMMET	2
36	130239	CORD 18/3X42"	1
37	140330	CLAMP	1/2
38	130040	WIRE TIE	1
39	140027	WASHER, FLAT	4
40	140546	NUT, LOCK	2
41	190714	●TOOL, CREVICE	1
42	602595	DECAL, WARNING	1
43	140519	NUT, KEP	3
44	140823	SCREW, 10-24X5/8	1
45	140264	SCREW, 8-32X1/4	2
46	140879	SCREW, 6-32X3/4	2
47	230619.BK	PLATE, TERMINAL BLOCK	1
48	130005	STRIP, TERMINAL	1
49	140534	NUT, NYLON	2
50	130166	●CORD GRIP	1
51	130252	●CORD, 18/3X40'4" 120V	1
	130219	●CORD, 16/3X50'4" 120V	1
52	190039	TUBE, EXTENSION	1/2
53	140823	SCREW, 10-24X5/8	2/4
54	140327	●CLAMP	1/2
55	140552	NUT, NYLON	2/4
56	160485	ADAPTER, HOSE	1
57	140197	SCREW, 10-24X3/8	2

*LATCH KIT #606226 INCLUDES BOTH 605016 & 604930.

● RECOMMENDED STOCK ITEMS/ARTICULOS RECOMENDADOS
PARA MANTENER EN EXISTENCIA

BRUSH BASE DIAGRAM
DIAGRAMA DE LA BASE DEL CEPILLO



**BRUSH BASE DIAGRAM
LISTA DE PIEZAS DE LA BASE DEL CEPILLO**

REF	PART #	DESCRIPTION	QTY.
1	100142	●GASKET, VAC COVER	1
2	130988	●MOTOR, VAC 120V	1
	190164	●CARBON BRUSH	1
3	100143	●GASKET, VAC MOTOR	1
4	230919	COVER, VAC MOTOR	1
	240218	GROMMET (NOT SHOWN)	3
	6023	SCREEN, MOTOR (NOT SHOWN)	1
	140874	SCREW, 10-32X3/8 (NOT SHOWN)	2
5	230625.WH	PLATE, COVER	1
6	180633	●FILTER, EXHAUST	1
7	100793	●COVER, EXHAUST FILTER	1
8	140890	SCREW, 10-24X1/2	4
∇	701086	●ASM., BASE ROLLER BRACKET	1
▲9	230753	BRACKET, ROLLER	1
▲10	26548	ROLLER	1
▲11	140710	RIVET, AXLE	2
▲12	140436	SPRING	1
▲13	230769	BRACKET, ROLLER PIVOT	1
14	140519	NUT, KEP	3
15	700098	●ASM. BRUSH/BEARING/BLOCK	1
16	230348	●PULLEY	1
17	230429	●BLOCK, BEARING	2
18	140125	●BEARING	2
19	230765	●SHOE, CARPET	1
20	140264	SCREW, 8-32X1/4	4
21	140882	SCREW, 10-24X3/8	6
22	140823	SCREW, 10-24X5/8	1

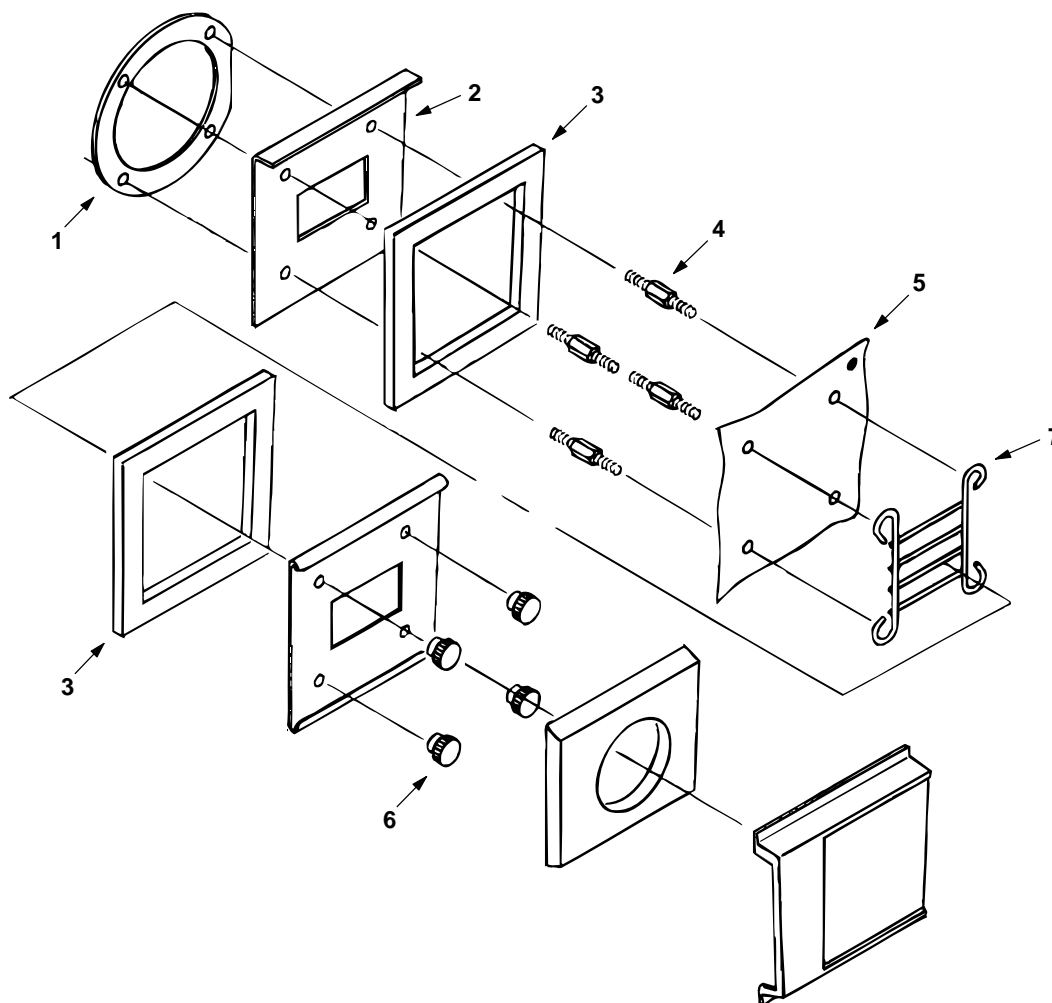
REF	PART #	DESCRIPTION	QTY.
∇23	701193	●ASM., MOTOR / BRACKET 120V	1
▲24	130398	●MOTOR, BRUSH 120V	1
▲25	140066	NUT, NYLOCK	4
▲26	230975	BRACKET	1
▲27	140065	SCREW, 6-32X1 3/4	4
▲28	140918	SPACER	4
▲29	180637	●FILTER	2
30	230347	●PULLEY, BRUSH MOTOR	1
31	230754	●CAM, ADJUSTER ROLLER	1
32	100398	BASE, BLUE	1
33	140850	SCREW, 5/16-18X 1 3/4	2
34	103070	●BUSHING, WHEEL	2
35	630450	●WHEEL, RUBBER	2
36	130754	●SWITCH, ON-OFF SNAP ACTION	1
37	130110	BUSHING, STRAIN RELIEF	1
38	130672	CORD, 18/3X24"	1
39	22868	GROMMET	1
40	230756	KNOB, ROLLER	1
41	140825	SCREW, #6-1/2	1
42	140947	SCREW, 10-24X1/4	2
43	120044	DECAL, HEIGHT ADJUSTMENT	1
44	230349	●BELT	2
45	608061	DECAL, UV-1600	1

VASSEMBLY/CONJUNTO

▲INCLUDED IN ASSEMBLY/ARTÍCULOS INCLUIDOS EN EL CONJUNTO

● RECOMMENDED STOCK ITEMS/ARTICULOS RECOMENDADOS
PARA MANTENER EN EXISTENCIA

**CLEAN AIR EXHAUST FILTER KIT
JUEGO DE FILTRO DE ESCAPE DE AIRE LIMPIO**



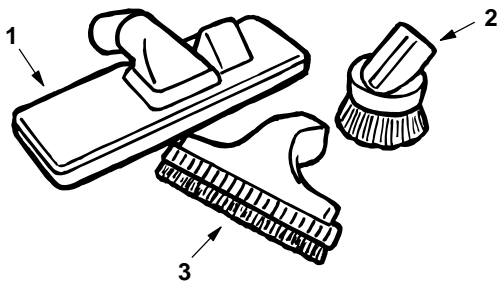
REF	PART #	DESCRIPTION	QTY.
▽	190951	●KIT, CLEAN AIR FILTER KIT	1
▲1	100142	GASKET, ROUND	1
▲2	230838.WH	PLATE, REAR MOUNT	1
▲3	102562	●GASKET, SQUARE	2
▲4	140606	STANDOFF	4
▲5	900006	●FLITERS, CLEAN AIR (QTY. 3)	1
▲6	240239	●KNOBS, THUMB	4
▲7	230839	GRILL, DIVIDER	1

▽ASSEMBLY/CONJUNTO

▲INCLUDED IN ASSEMBLY/ARTÍCULOS INCLUIDOS EN EL CONJUNTO

● RECOMMENDED STOCK ITEMS/ARTICULOS RECOMENDADOS
PARA MANTENER EN EXISTENCIA

ACCESSORY ATTACHMENT KIT
JUEGO DE ACCESORIOS



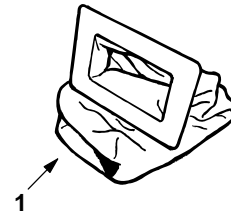
REF	PART #	DESCRIPTION	QTY.
▽	190713	●KIT, ATTACHMENT	1
▲1	190717	BRUSH, FLOOR	1
▲2	190715	BRUSH, DUSTING	1
▲3	190716	BRUSH, WALL/UPHOSTERY	1

▽=ASSEMBLY / CONJUNTO

▲=INCLUDED IN ASSEMBLY / INCLUIDO A CONJUNTA

● RECOMMENDED STOCK ITEMS/ARTICULOS RECOMENDADOS
PARA MANTENER EN EXISTENCIA

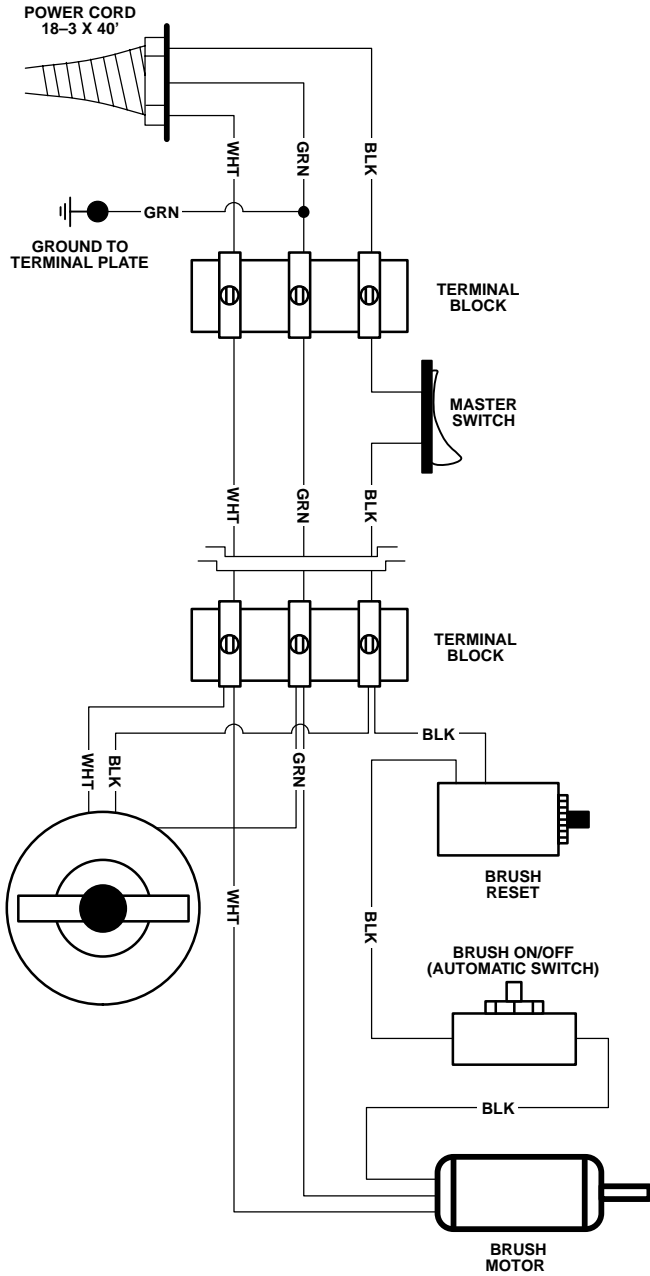
VACUUM BAGS
BOLSA RECOLECTORA



REF	PART #	DESCRIPTION	QTY.
1	900034	●BAG, VACUUM, CLOTH	1
N/S	900000	●BAG, PAPER (CASE OF 100)	1

WIRING DIAGRAMS DIAGRAMA DE CABLEADO

120V



220V

