



Electronic Service Manuals

This electronic document is provided as a service to our customers. We do not create the contents of the information contained in this document. Should you have detailed questions pertaining to the information contained in this document, you may contact Michco, or the manufacturer which provided the original information in this electronic deliverable. Michco's only part in this electronic deliverable was the electronic assembly process. By providing this manual on line we are not guaranteeing parts availability.

You may contact Michco through the following methods:

Phone (517) 484-9312 or (800) 331-3339

2011 N. High St. -- Lansing, Michigan -- 48906

Fax: (517) 484-9836

Email: CustServe@Michco.com

Web site: www.Michco.Com

Parts Web site: www.FloorMachineParts.Com

Order Parts on Line at:

www.FloorMachineParts.Com

Directly to Parts & Service:

By Email: **Shop@Michco.com**

By Fax: (517) 702-2041

By Voice: Use numbers above.

Serving the Cleaning Industry Since 1922

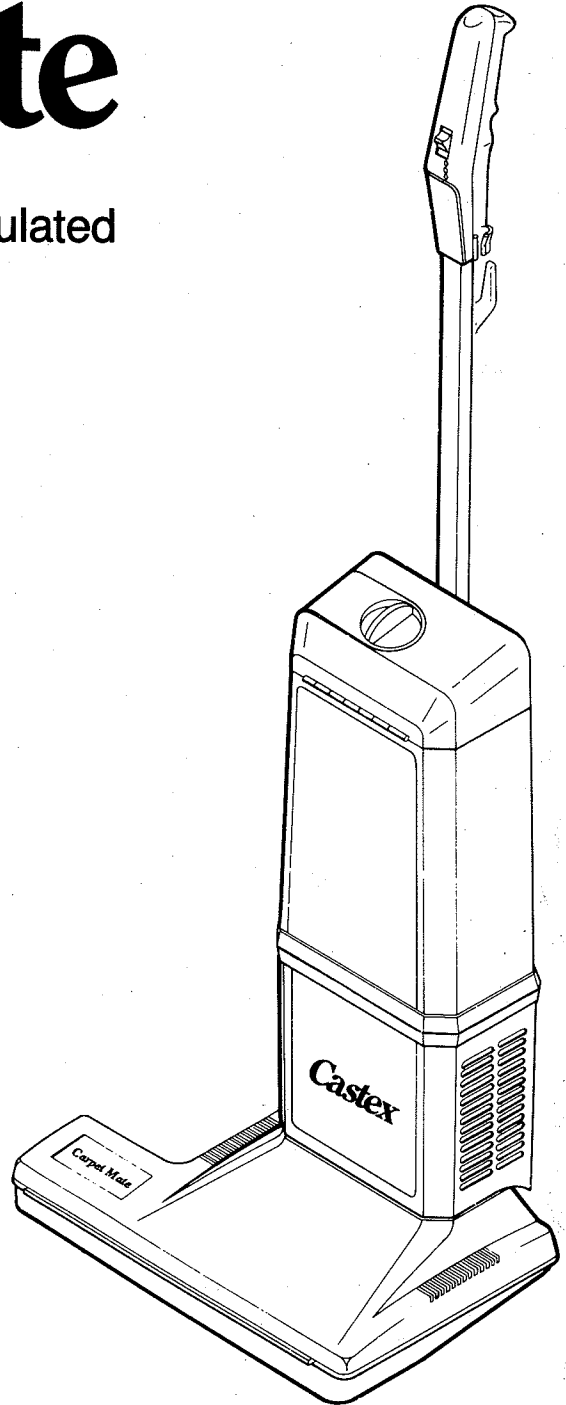
Notice: All copyrighted material remains property of original owners, all trademarks are property of respective owners. Manuals are subject to Manufacturer's reproduction limitations. Originals or reproductions were provided by manufacturers through a request. We make no warranty as to the correctness of information provided in this document and you assume all risk. By placing these manuals on line we are not declaring our corporation to be an manufacturer authorized dealer or provider, please check our web site for authorized manufacturers we represent.

8/18/88

Carpet Mate

The lightweight, dual-motor, double-insulated vacuum cleaner

Reference Manual



**READ MANUAL CAREFULLY
BEFORE OPERATING MACHINE**

Machine Serial Number:

Castex

**IND.
INC.**

4240 Blue Star Hwy., Holland, Michigan 49423
800-253-7871 616-392-6966

The Castex Carpet Mate

The Carpet Mate is lightweight and designed to clean carpets and floors better, faster and with less effort on your part. Carpet Mate has a two-motor system, one motor rotates the agitator brush, digging out grit embedded in your rugs and carpets. The second motor provides a powerful airflow to carry dirt and litter to the four-ply filter bag. The Carpet Mate automatically adjusts to various carpet heights as well as hard surface floors. The Carpet Mate is also double-insulated for your safety and protection. Wherever there is electric current in the cleaner, two insulation barriers protect the user.

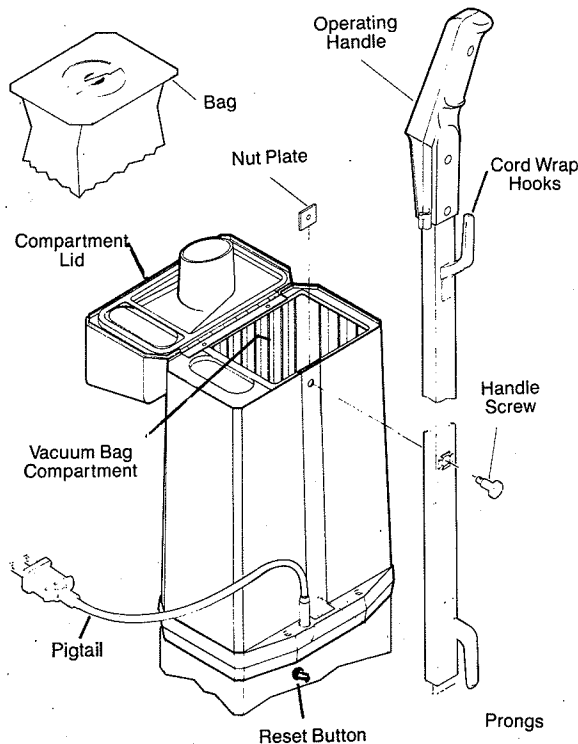
Set-up and Operation:

(Numbers refer to part diagrams on pages 3, 4 and 5.)

1. Unpack your vacuum from box and attach operating handle #14 to unit.

How to attach operating handle:

- a. Remove the handle screw #15 and nut plate #6. (See diagram below).
- b. Open the bag compartment lid #3, remove bag and place the nut plate into the pocket inside the compartment.
- c. At the end of the operating handle are electrical prongs. Insert prongs into electrical receptacle at the back of the bag compartment and place handle into groove.
- d. Insert the screw #15 through handle #14 into the nut plate #6. Tighten screw securely.



2. Connect the reinforced insulated 40' extension power cord, included with your vacuum, to pigtail #23. Use the cord retaining strap #22. To store the power cord, just wrap the cord around the two hooks #13, located on the operating handle.
3. Check vacuum bag compartment to be sure bag is in place. (See section on Changing Vacuum Bag).
4. Set the control switch #10 to "OFF". The control switch has three positions, "OFF", "FLOOR", "CARPET".

Always set the switch to "OFF" when vacuum is not being used.

- a. Set the switch to "CARPET" for deep cleaning rugs and carpets. You may also use this setting for cleaning hard surface floors.

- b. Set the switch to "FLOOR" to stop the rotating brush, using only the powerful airflow to clean. Use the "FLOOR" setting for delicate antique rugs or highly polished floors.

5. Release handle for operating position. The vacuum automatically locks in the upright position. To release the handle place foot lightly on the base of the vacuum and gently pull handle backwards. Once the lock disengages, the handle will pivot freely as you clean. The upright position should be used when carrying or storing your vacuum.

After following steps 1 through 5, begin to vacuum by moving the vacuum forward and back.

WARNING:

Do not use your vacuum for pickup of wet debris or on wet surfaces. This will cause an electrical hazard and could result in serious injury.

Do not operate around explosive or flammable material or fumes.

Automatic Shut-Off

Your vacuum cleaner comes equipped with an automatic shut-off for entangled objects. If an object becomes entangled in the rotating brush #59 the motor will automatically shut off. This protects your vacuum from overheating and enables you to remove the caught object.

If vacuum automatically shuts off while cleaning:

- a. Turn the vacuum off, and return handle to the upright position.
- b. Unplug the vacuum.
- c. Turn vacuum on its side or back and gently remove caught object.
- d. Stand vacuum upright, replug the power cord and press the RESET BUTTON on the body of the cleaner (see illustration on page 1 for location of reset button).
- e. Turn vacuum on to continue vacuuming.

Changing Vacuum Bag

Use only a Castex four-ply self-sealing filter bag. This bag will promote longer motor life and more efficient operation of your vacuum. Your Castex Warranty is void if any bag other than a Castex or a Castex approved bag is used.

To change bag:

1. Press and hold button #2 on the bag compartment lid as you open the lid.
2. Lift out vacuum bag.
3. Drop recommended vacuum bag into position.
4. Close the lid and the vacuum bag is locked in position.

Check the vacuum bag at the start of each cleaning operation to be sure the bag is not clogged. A clogged bag cuts off air flow and makes further cleaning less efficient.

Suggested Maintenance:

1. Keep your vacuum clean and in good operating condition.
2. Change or clean bags to maintain optimum cleaning efficiency.
3. Inspect the rotating brush occasionally and remove any debris, such as lint, hair, or other foreign material wrapped around the brush.
4. Replace cleaning brushes when worn.

5. Replace worn or frayed power cord immediately.
6. You may clean the exterior with mild soap and a damp cloth. Do not use a strong detergent, solvent or abrasives.
7. Store vacuum carefully in dry area, never outdoors.

WARNING: To Avoid Accidents

- Never vacuum live ashes or cigarette butts.
- Never run vacuum over power cord or place sharp objects on it.
- Use extra caution when cleaning on stairs.
- Keep vacuum on floor not on chairs, tables, etc.
- When vacuum is turned on, never allow fingers, hair or garments to come near intake suction ports or revolving brushes.
- Never leave vacuum running or cord plugged in when unattended.
- Turn vacuum off at switch before unplugging from wall outlet.
- When unplugging vacuum, grasp plug, not cord.
- Always unplug power cord from wall outlet before servicing vacuum.
- Store machine promptly after each use to prevent accidents from tripping over power cord or machine.
- Use machine and accessories only in manner intended by manufacturer.

GENERAL SERVICES POLICY:

When servicing your double-insulated upright vacuum, use only identical replacement parts.

Whenever ordering parts or requesting any type of service, specify:

1. The model of the machine.
2. The serial number of the machine.

All parts returned to the factory must arrive prepaid with a Return Authorization Number. Always enclose a note, indicating the above, plus an explanation of the problem you are experiencing with the part. Also, enclose your name, phone number and address. Always order parts by both part number and description.

Optional Attachments for above the floor cleaning are available.

For more information contact your nearest Castex dealer. Or call Castex Industries Inc.

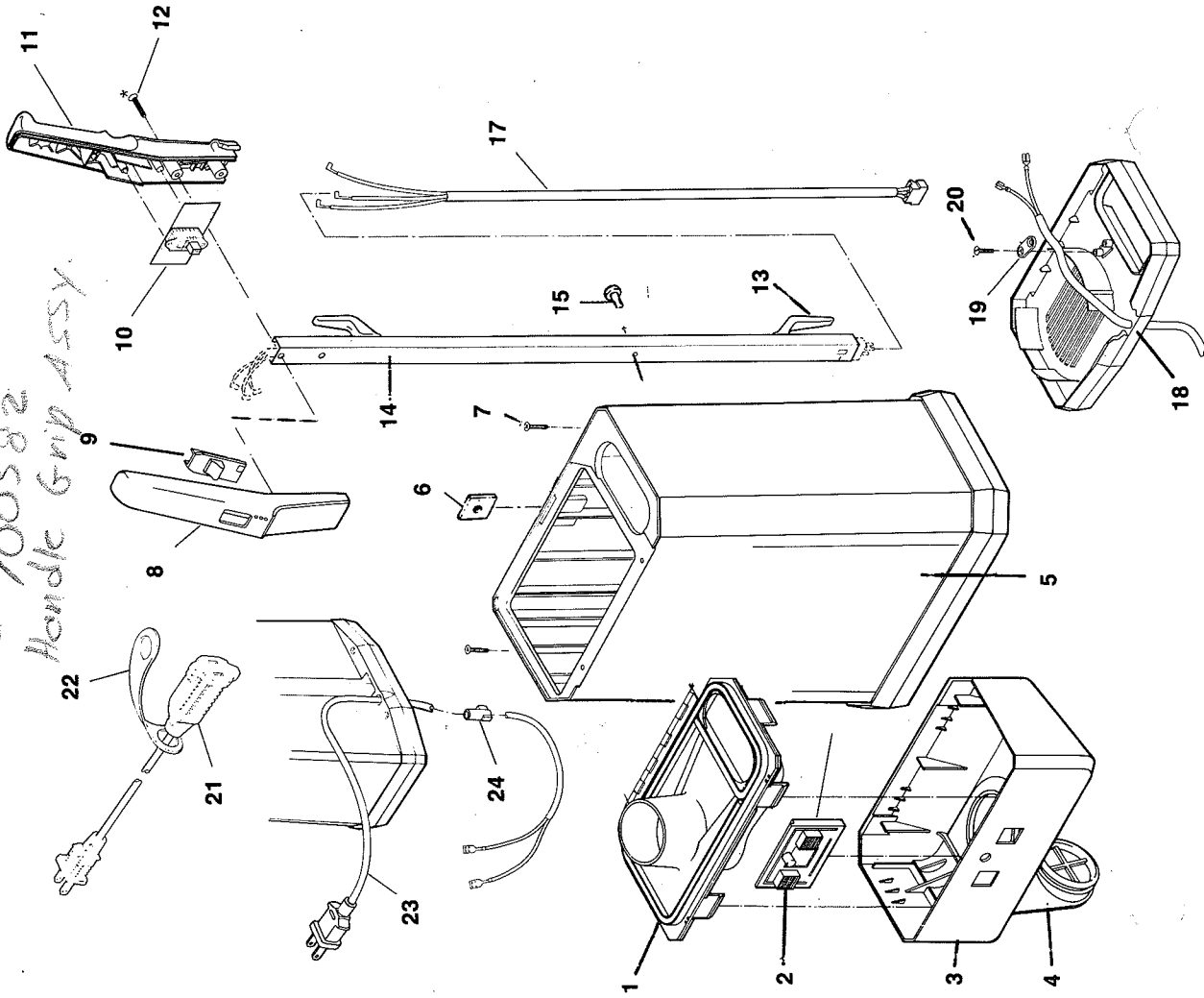
800-235-7871 — In Michigan call 616-392-6966

CASTEX CARPET MATE Replacement Parts List

When servicing your double-insulated upright vacuum, use only identical replacement parts.

UPPER HOUSING PARTS DIAGRAM

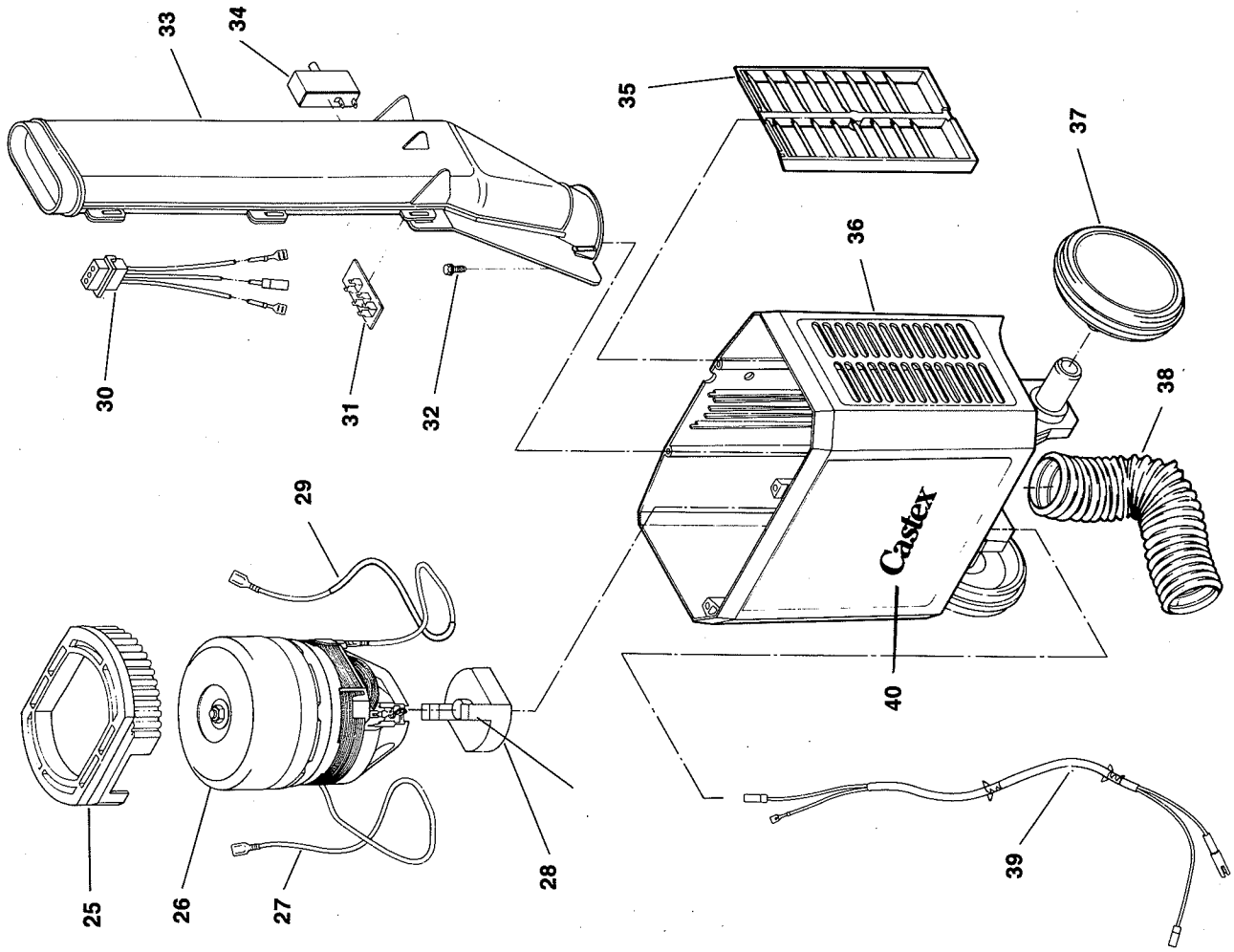
700582
Handle Grip Assy.



UPPER HOUSING PARTS LIST		
Code No.	Part No.	Item Description
1.	700553	Bag Nozzle Assembly
2.	103028	Bag Cover Latch
3.	101630	Bag Cover
4.	101631	Access Port Plug
5.	700554	Bag Housing Assembly
6.	230320	Nut Plate
7.	140890	Screw
8.	N/A	Upper Grip
9.	N/A	Switch Button Cover
10.	130718	On/Off Switch
11.	N/A	Lower Grip
12.	140898	Screw (Grip)
13.	N/A	Cord Wrap Hooks (2)
14.	N/A	Handle
15.	140897	Screw, Handle
17.	N/A	Handle Harness
18.	N/A	Housing Connector
19.	130158	Cord, Clamp
20.	140891	Screw, Clamp
21.	130027	Power Cord Extension
22.	130157	Cord Retaining Strap
23.	130027	Cord Assembly (pigtail)
24.	130156	Flex Relief Bushing

700582

LOWER HOUSING PARTS DIAGRAM



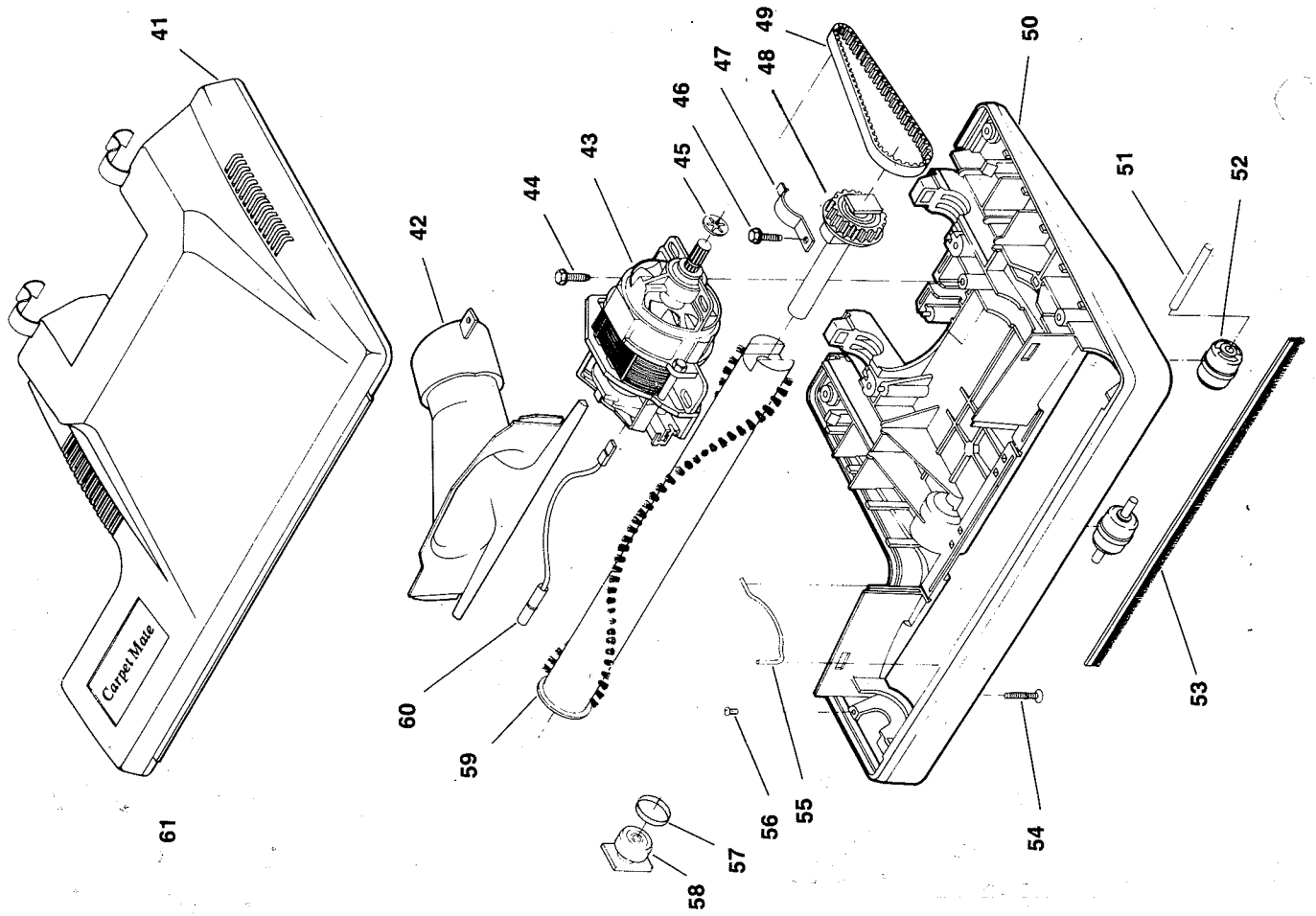
LOWER HOUSING PARTS LIST		
Code No.	Part No.	Item Description
25.	230327	Upper Motor Mount
26.	130424	Motor Unit Assembly
27.	700585	Lead Assembly
28.	230326	Lower Motor Mount
29.	700586	Lead Assembly (if used)
30.	130159	Receptacle
31.	130160	Terminal Board
32.	140892	Duct Screw
33.	101635	Duct Assembly
34.	130749	Circuit Breaker
35.	101636	Exhaust Deflector
36.	101637	Motor Body Housing
37.	103040	Rear Wheel
38.	700140	Duct Hose
39.	700584	Cord Assembly
40.	120413	Castex Decal

GENERAL SERVICE POLICY

All parts returned must arrive with return authorization number issued by CASTEX, with freight prepaid. Always enclose a note indicating exactly what is wrong with the part, your name, and your address. Please order all parts using the part number and description.

Replacement Parts (Continued)

BASE PARTS DIAGRAM

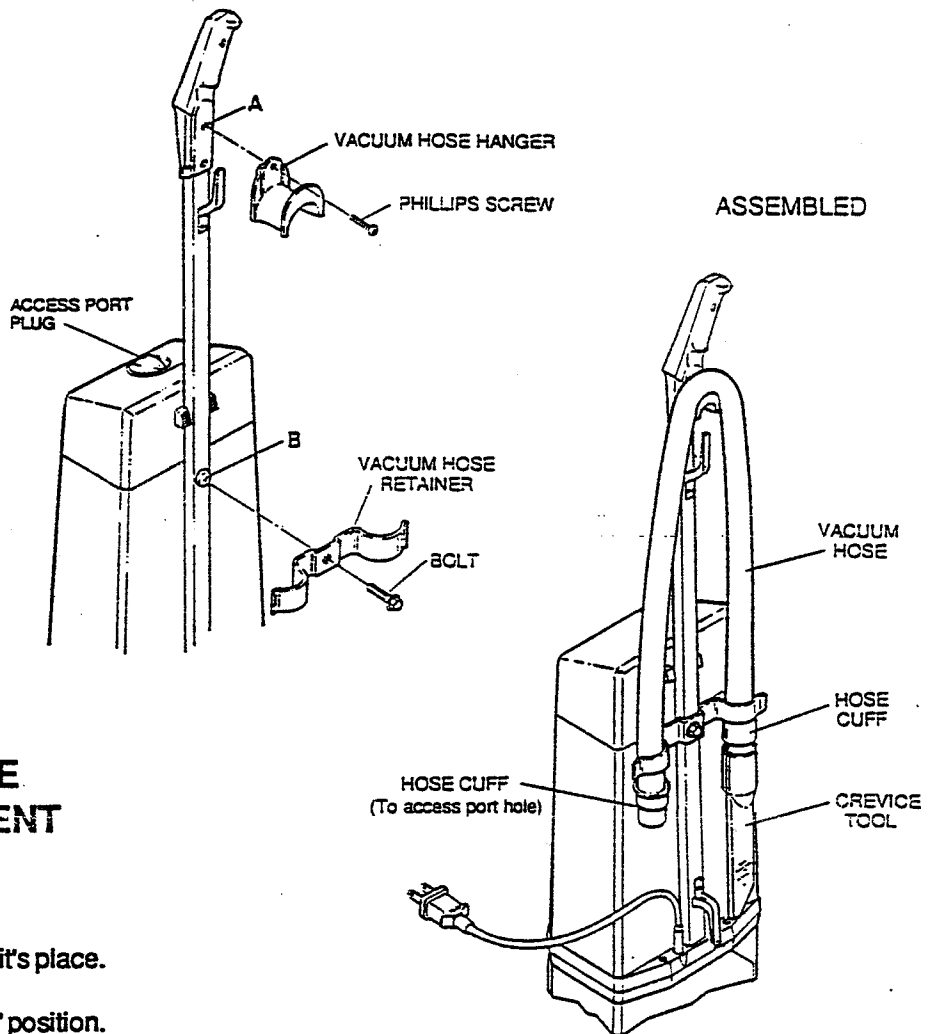


BASE PARTS LIST		
Code No.	Part No.	Item Description
41.	101632	Bag Cover Assembly
42.	101633	Inlet Nozzle
43.	130445	Drive Motor Unit Assembly
44.	140854	Screw, Drive Motor
45.	140443	Belt Retainer
46.	140892	Screw, Clamp
47.	230321	Rear Wheel Clamp
48.	230322	Pulley Assembly
49.	100059	Motor Belt
50.	181634	Base
51.	230323	Front Roller Shaft
52.	103029	Front Roller
53.	240047	Bristle
54.	140893	Screw, Base
55.	230324	Wire Form
56.	140855	Screw, Brush
57.	140442	Retainer Ring
58.	230325	Brush Shaft Assembly
59.	240048	Brush Assembly
60.	700583	Lead Assembly, Brush
61.	120412	Carpet Mate Decal

Carpet Mate ACCESSORY KIT

HOW TO ATTACH THE ACCESSORY KIT

1. Remove screw A, and place vacuum hose hanger in position and fasten with phillips screw provided in kit.
2. Remove screw B, and place vacuum hose retainer in position. Using a 3/8" wrench for the bolt provided, fasten lower bracket.



OPERATING WITH THE ACCESSORY ATTACHMENT

1. Unplug the access port hole.
2. Insert the accessory vacuum hose in it's place.
3. Set the control switch to the "FLOOR" position. The "FLOOR" position stops the brush from spinning, which prevents the carpet from fraying by remaining in one spot too long.
4. Begin cleaning with attachment.

IMPORTANT

AFTER CLEANING WITH THE ACCESSORY ATTACHMENT TOOL

Unplug the accessory vacuum hose by grasping the hose cuff, twisting and pulling directly upward from the access port hole.

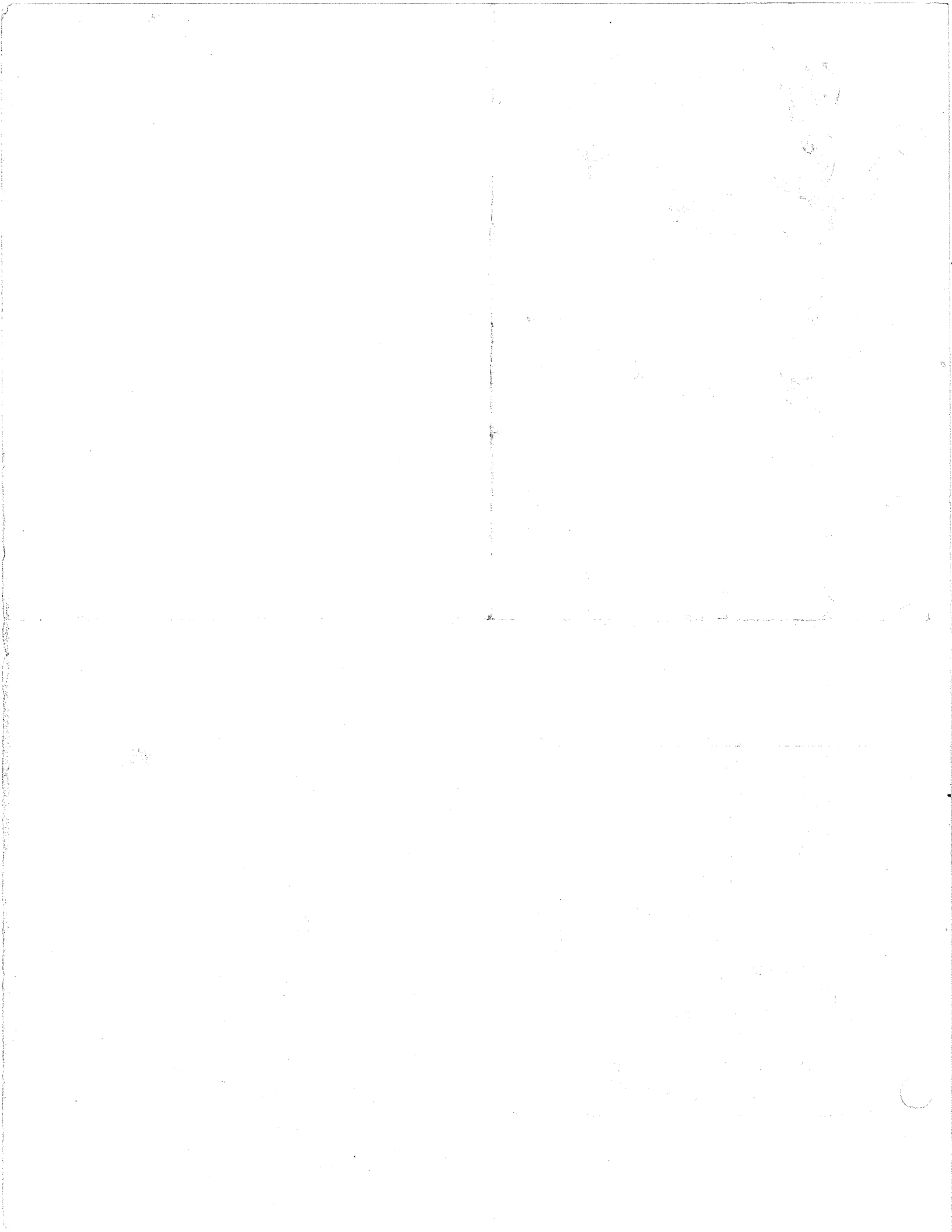
DO NOT PULL OUT HOSE ON AN ANGLE.

ACCESSORY KIT PARTS LIST

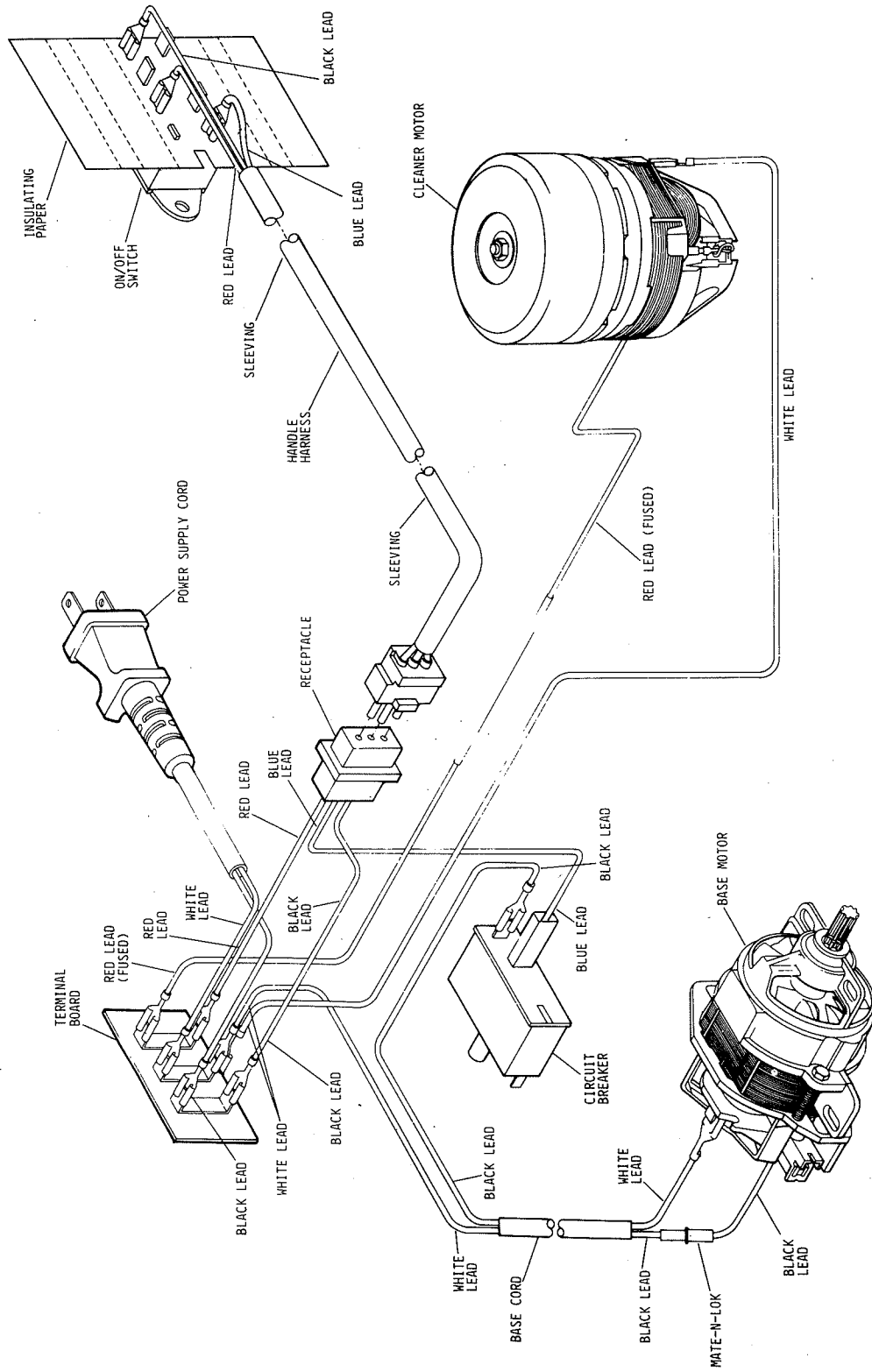
Part No.	Description
1. 230315	Vacuum Hose Hanger
2. 140866	Screw, #10 x 1" Phillips
3. 230316	Vacuum Hose Retainer
4. 140865	Bolt, 1/4"-28 x 1"
5. 160427	Vacuum Hose
6. 160437	Hose Cuff
7. 190038	Crevice Tool
8. 160438	Hose Cuff (Access Port Hole)

Castex

Castex Industries, Inc.
4240 Blue Star Hwy., Holland, Michigan 49423
800-253-7871 616-392-6966



WIRING DIAGRAM



CASTEX INDUSTRIES, INC. reserves the right to make changes and improvements to its equipment without notice.
