

Castex®

Power Eagle™ 350

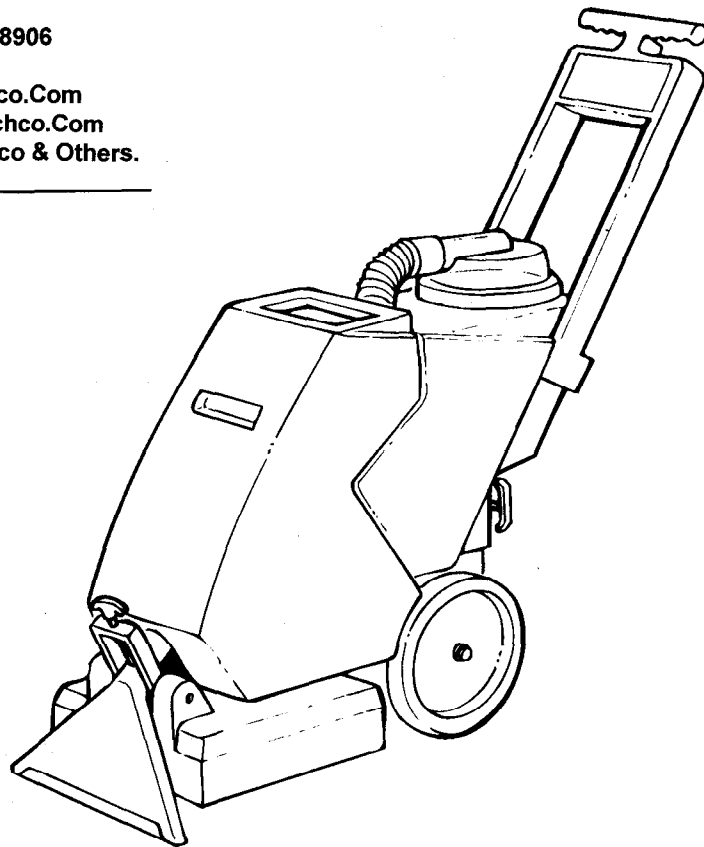
Self-Contained Carpet Extractor

Model No.:
PE1300

Operator & Parts Manual



PDF Version of Manual by:
Michigan Company Inc.
2011 N. High St.
Lansing, Mich. 48906
(517) 484-9312
<http://www.Michco.Com>
Email: Shop@Michco.Com
(c) 1998 by Michco & Others.



CASTEX INCORPORATED
12875 RANSOM STREET
HOLLAND MI 49424 U.S.A.

A TENNANT COMPANY

1-800-522-7839
616-786-2330
FAX: 1-800-678-4240
CUSTOMER SERVICE: 1-800-964-9644

173061
Rev. 03 (11-97)

OPERATION

This manual is furnished with each new model. It provides necessary operation and maintenance instructions. Read this manual completely and understand the machine before operating or servicing.

This machine will provide excellent service. However, the best results will be obtained at minimum costs if:

- The machine is operated with reasonable care.
- The machine is maintained regularly – per the maintenance instructions provided.
- The machine is maintained with manufacturer supplied or equivalent parts.

MACHINE DATA

Please fill out at time of installation for future reference.

Model No.- _____

Install. Date - _____

Serial No.- _____

1997 Castex® Nobles®

Printed in U.S.A.

Castex and Nobles are registered United States trademarks of Tennant Company.
Power Eagle is a United States trademark of Tennant Company.

TABLE OF CONTENTS

SAFETY PRECAUTIONS	2
SETUP AND OPERATION	3
UPHOLSTERY CLEANING	4
MAINTENANCE	4
TROUBLE SHOOTING	5
STANDARD PARTS	6
ELECTRICAL DIAGRAMS	12
OPTIONAL ACCESSORIES	14

SAFETY PRECAUTIONS

This machine is suited to clean carpets in a indoor environment and is not constructed for any other use. Use only recommended cleaning agents.

All operators must read, understand and practice the following safety precautions:

1. DO NOT OPERATE, MAINTAIN OR SERVICE MACHINE:


- Unless trained and authorized.
- Unless operator manual is read and understood.
- If it is not in proper operating condition.
- If power cord or plug is damaged.
- If power cord is not properly grounded.
- In outdoor areas.


2. WHEN OPERATING MACHINE:


- Do not run machine where flammable or combustible liquids or gases are present.
- Do not run on ramps or inclines unless adequate personnel are present for assistance.
- Do not run machine over power cord.
- Do not pull machine by power cord or pull cord around sharp edges or corners.
- Do not handle plug with wet hands.


3. BEFORE LEAVING OR SERVICING MACHINE:

- Make sure main switch is turned off and main circuit breaker button is pulled out.

 **WARNING:** Do not store outdoors and avoid getting wet.

 **WARNING:** The use of supplies other than those recommended by manufacturer may cause damage.

 **WARNING:** Hazardous Voltage. Shock or electrocution can result. Always unplug machine before servicing machine.

 **WARNING:** Machine must be grounded. If it should malfunction or breakdown, grounding provides a path of least resistance for electrical current to reduce the risk of electrical shock. The machine's grounding plug must be plugged into an appropriate outlet that is properly installed in accordance with all local codes and ordinances.

SETUP AND OPERATION

1. Pour 3– 6 ounces (89–177 ml) of quality liquid cleaning agent into the clean water tank.
2. Using a clean bucket, fill clean water tank with hot water, (140°F, 60°C max.). Fill to the DO NOT FILL PAST THIS LINE decal on the front of the tank. If powdered cleaning chemicals are used, mix the powders in the filling bucket. DO NOT MIX POWDERED CHEMICALS IN THE CLEAN WATER TANK! This can plug the pumping system with undissolved powder.

IMPORTANT: Use a clean bucket to fill the machine. Empty dirty water into another bucket. Always be certain to use separate buckets to fill and empty the machine. Perfectly clean water must be in the clean water tank to avoid clogging the pumping system.

3. Plug the power cord into a grounded outlet (Figure 1).

⚠ WARNING: To avoid an electrical hazard, plug into grounded outlets only. Do not use an adapter or remove ground pin on plug. Do not use if cord is damaged.

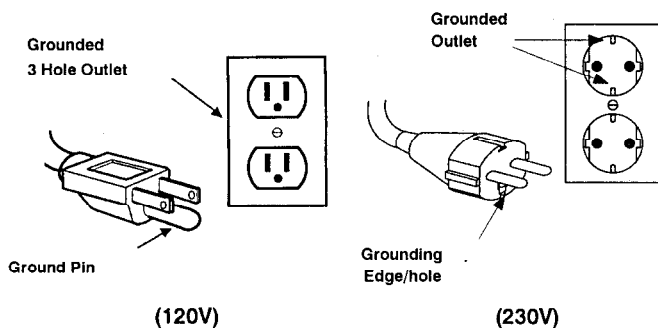


FIG. 1

4. Turn the height adjustment knob to raise or lower the brush to your carpet type as shown on the height adjustment decal.

5. Turn on the MASTER Switch.
6. Position the extractor at the first area to be cleaned. Press and hold the CARPET CLEANING button. This sprays solution on the carpet and activates the brush. Pull the extractor toward you about 4 ft (1.2 M) while lifting the handle lightly to form a tight vacuum seal on the carpet for best water recovery.

NOTE: You can scrub stains with brush only and no spray to prevent overwetting the carpet. Turn off the MASTER switch and press the CARPET CLEANING button.

7. Release the CARPET CLEANING button to stop spray, but continue to pull the machine toward you for another foot. Then, push down on the handle and roll the machine forward to the next strip, overlapping about 2 inches (4.8 cm).

NOTE: If the brush stops during carpet cleaning, UNPLUG THE EXTRACTOR, remove any clogging debris wrapped around the brush, then push in the BRUSH RESET Button located under the switchbox.

While cleaning, periodically check the recovery tank for foam buildup. If foam does appear, pull the vacuum hose out of the recovery dome, then pour about 2 tablespoons (30 ml) of defoamer into the dome opening with the vacuum motor running to draw defoamer into the tank.

IMPORTANT: Foam or water will damage the vacuum motor. Always prevent foam or water from entering the standpipe screen by using defoamer. Damage due to foam or water is NOT COVERED BY WARRANTY.

8. When the recovery tank is full, as shown by the FULL LINE decal on the side of the recovery tank, place a bucket under the drain valve downspout and pull the T-handle to empty the dirty water. Use a separate bucket for filling and emptying.
9. When you have finished your cleaning job, drain the recovery tank, then rinse it thoroughly to prevent odor buildup inside the tank.

OPERATION

UPHOLSTERY CLEANING

Optional accessories are required for upholstery cleaning. See page 14 for Optional Accessories.

This extractor cleans most synthetic upholstery very well. Fabrics like Herculon and synthetic velvets will clean with excellent results. *Extraction is not recommended for most cottons, silks, wools or natural fiber velvets.* Check the cleaning instructions sewn in the furniture by the manufacturer for further instructions. Extra caution should be taken with furniture that has been re-upholstered. Any material under the new upholstery may bleed and discolor the new fabric.

1. Vacuum the upholstery before cleaning.
2. **TEST THE FABRIC FOR COLORFASTNESS.** Pour a small amount of cleaning solution on a white cloth. Hold the damp portion of the cloth against an area of upholstery which is hidden from view. Hold it there for 60 seconds. If no color transfers to the cloth, it should be safe to clean. However, always clean at your own discretion.
3. Remove the short vacuum hose from the recovery dome.
4. Connect the accessory vacuum hose to the recovery dome and to the hand tool.
5. Connect the solution hose to the upholstery connection and to the hand tool.
6. Turn on the MASTER switch.
7. Clean with the hand tool using as little cleaning solution as possible. Overlap your strokes to avoid streaking. Go over clean areas using only the vacuum to get fabric as dry as possible.
8. When you are finished, turn off the MASTER switch, drain the recovery tank, and disconnect the vacuum and solution hoses.

⚠ WARNING: The solution hose contains pressurized cleaning solution which can spray when the hose is disconnected. Relieve pressure before disconnecting the hose by squeezing the Hand Tool trigger for five seconds AFTER turning off the MASTER switch.

9. Rinse the recovery tank and the recovery dome thoroughly to prevent odor buildup inside the tank.

MAINTENANCE

For ease of servicing, the tanks are hinged to pivot open from the metal base frame. To open the machine for servicing follow these steps:

- a. Remove the four hex-head screws under the chassis using a 7/16 wrench.
- b. Remove the two allen head screws holding the height adjustment bracket to the power brush. Use a 3/16 allen wrench.
- c. Lift the tanks upward, away from the metal chassis. (The vacuum tool will pivot upward with the tanks).

To keep your extractor in top condition, perform these preventive steps at the intervals indicated.

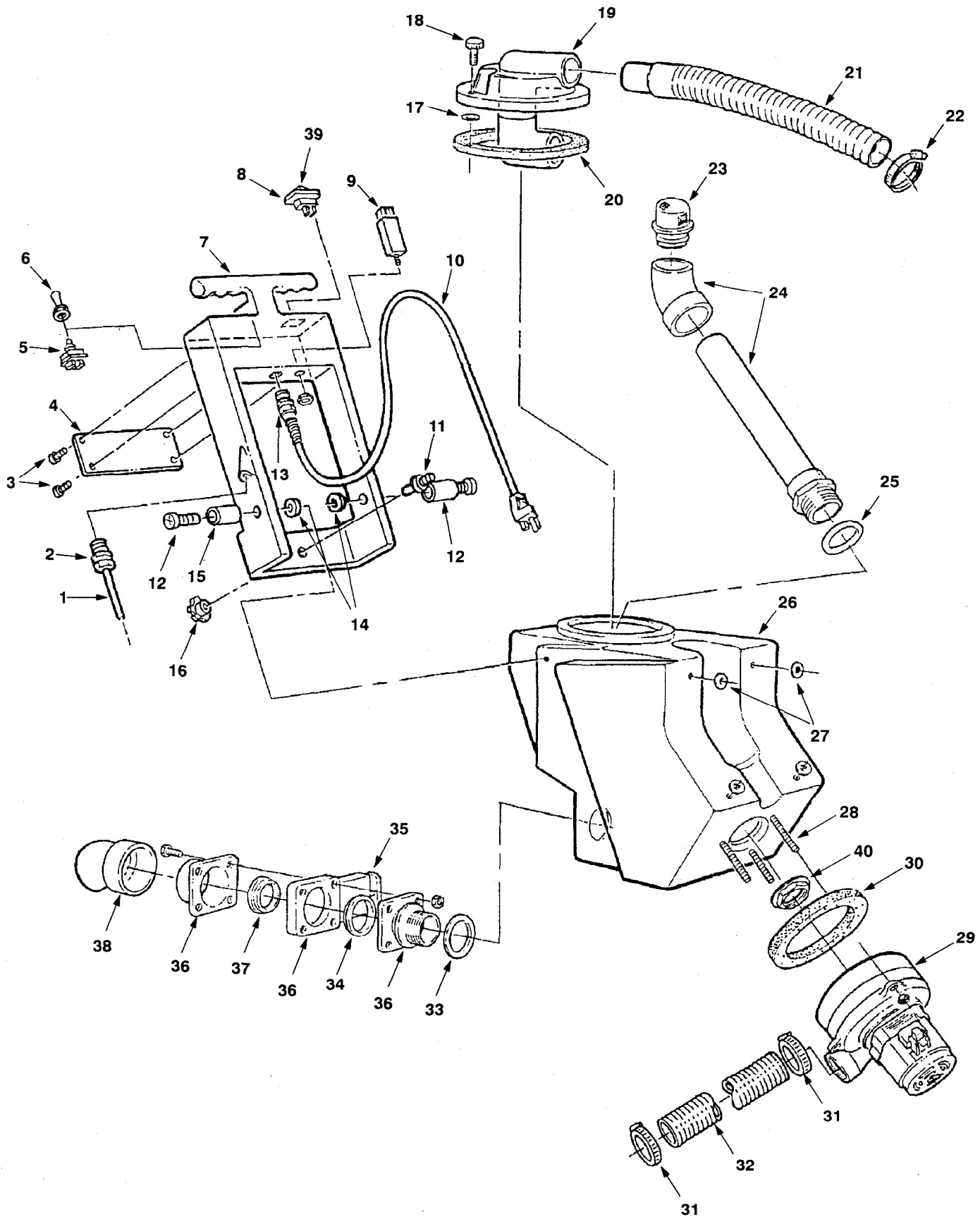
1. Thoroughly rinse the recovery tank, the recovery dome and the brush after every use.
2. Clean the solution tank filters and standpipe screen after every use.
3. Every forty hours of operation, run a quality acetic acid solution through the pump system to dissolve normal alkaline chemical buildup. Mix two cups (.5 L) of the acetic acid solution in the clean water tank with two gallons hot water. Hold a bucket under the spray jets to catch the spray, turn on the MASTER switch, and push the CARPET CLEANING button until the acetic acid solution begins to spray through the jets. Allow the solution to remain in the system overnight in *above freezing* temperatures. Later, drain the solution, then run three gallons (11 L) of clean water through the system to flush out impurities.

IMPORTANT: DO NOT ALLOW THE EXTRACTOR TO FREEZE WITH WATER IN THE PUMPING SYSTEM. This can crack the pump and *damage is not covered by warranty.* To avoid pump damage, always run the pump dry before exposing the extractor to freezing temperatures.

TROUBLE SHOOTING GUIDE

PROBLEM	CAUSE	SOLUTION
Uneven or no spray from jets.	Plugged or worn spray screens or spray Jets.	Remove the spray screens and spray jets, then clean them.
	Solution pump is airlocked.	Turn on MASTER SWITCH, then push on the quick disconnect to allow air to bleed. BE CAREFUL OF THE SPRAY FROM THE QUICK DISCONNECT.
	Solution tank filters are plugged.	Remove and clean the filters.
	Solution pump is faulty.	Replace the pump.
	Loose or broken wiring to solenoid or faulty solenoid.	Repair wiring or replace solenoid.
Solution Pump will not run.	Fuse blown or circuit breaker tripped in the building. (Vacuum motor will not run either).	Replace fuse or reset breaker.
	Faulty MASTER switch. (Vacuum motor will not run either).	Replace switch.
	Loose wiring to solution pump.	Consult Wiring Diagram and repair loose wire.
Little or no vacuum suction.	Drain valve T-handle open.	Push T-Handle to close valve.
	Lint on top of standpipe screen.	Clean the screen.
	Air is leaking around recovery dome.	Tighten the two dome knobs or replace gasket.
	The short vacuum hose is loose at the recovery tool or at the recovery dome.	Tighten the hose. Also check to make sure the hose cuff is threaded onto the hose tightly.
	Holes in short vacuum hose.	Replace the hose.
	Faulty vacuum motor.	Replace the vacuum motor.
Drain valve leaks.	Drain valve seals are worn.	Replace seals.
	Lint or dirt in drain valve.	Remove the valve and clean it. If gate is worn, the valve may need replacement.
Brush motor runs but brush does not spin.	Loose or broken drive belt .	Tighten or replace drive belt.
	Loose brush pulley or motor pulley.	Tighten set screw on the loose pulley.
Brush motor does not run.	Must press CARPET CLEANING button to operate the brush.	Push CARPET CLEANING button.
	Brush clogged, which caused brush circuit breaker, (BRUSH RESET button), to trip.	UNPLUG THE MACHINE. Remove clogging lint and debris, then push BRUSH RESET button on switchbox.
	CARPET CLEANING button is faulty. (This would also cause no spray through the spray jets).	Replace the faulty button.
	Loose or broken wiring.	Consult the Wiring Diagram, and repair wiring.
	Faulty brush motor.	Replace the brush motor.

RECOVERY TANK GROUP



RECOVERY TANK GROUP

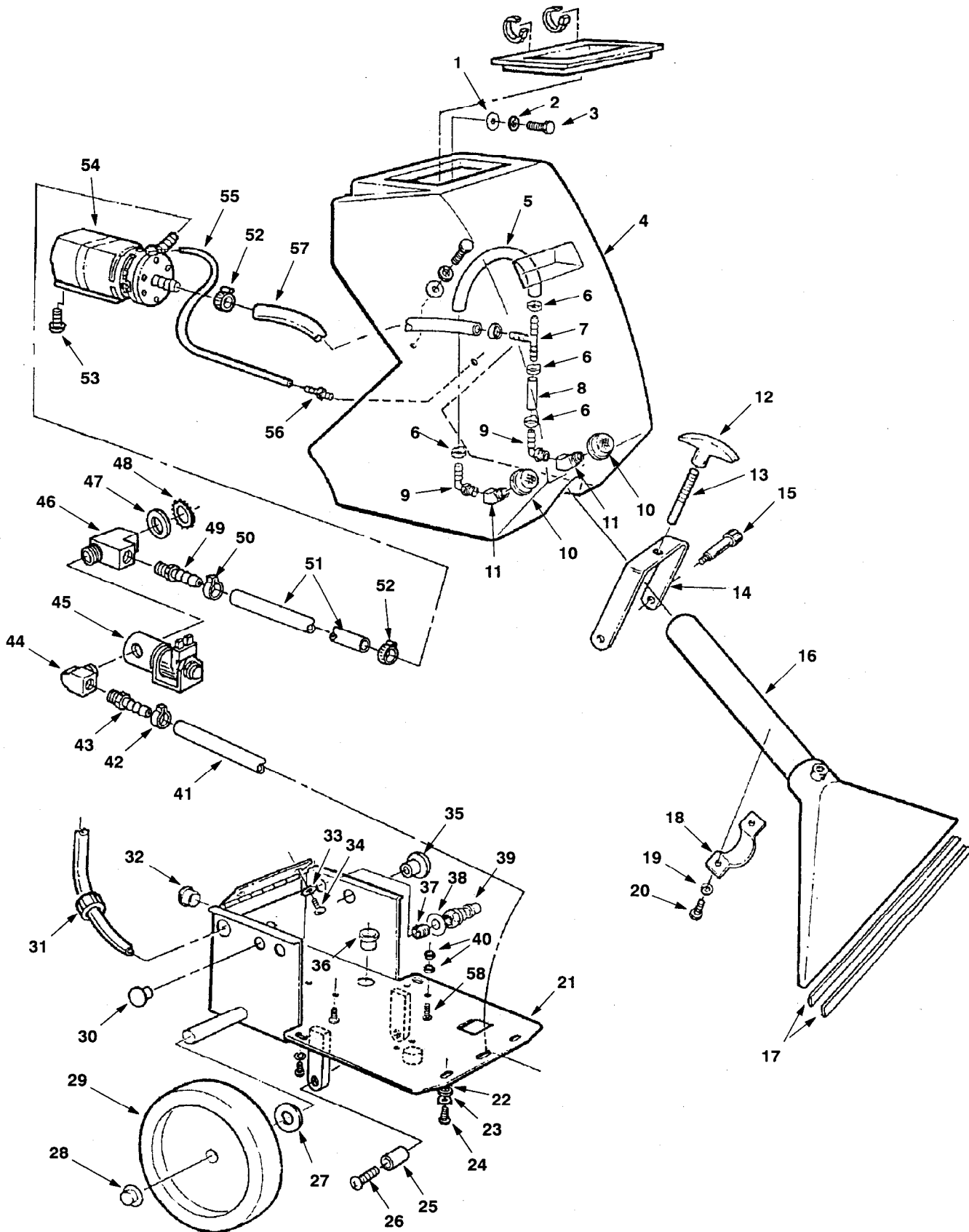
REF	PART #	DESCRIPTION	QTY.
1.	130663	CORD, 16/4X54"	1
2.	130181	CORD GRIP	1
3.	140837	SCREW, 10-24X3/8	4
4.	230604.BK	PLATE, COVER	1
5.	130712	SWITCH, PULSE (120 VOLT)	1
	24858	SWITCH, PULSE (220 VOLT)	1
6.	130664	BOOT (FOR #130712)	1
7.	101340	HANDLE, BLUE	1
	600243	HANDLE, GRAY	1
8.	130717	SWITCH, ROCKER (120 & 220VOLT)	1
	130764	SWITCH, ROCKER (240 VOLT)	1
9.	130747	BREAKER, CIRCUIT 1.2 AMP	1
10.	130222	CORD, 16/3X25' BK SJTO (120 VOLT)	1
	600398	CORD, 3X1.0MMX12M BK (220V)	1
11.	230273	STUD	1
12.	140847	SCREW, 3/8-16X1	2
13.	130166	CORD GRIP	1
14.	140028	WASHER, FLAT	2
15.	140907	BUSHING	2
16.	240202	KNOB	1
17.	140037	WASHER,NYLON	2
18.	240217	KNOB, DOME	2
19.	100112	DOME	1
20.	100042	GASKET, RECOVERY DOME	1

REF	PART #	DESCRIPTION	QTY.
21.	160426	HOSE,VACUUM 1 1/2X15"	1
22.	140307	CLAMP,HOSE	1
23.	180612	SCREEN,STANDPIPE	1
24.	700145	ASM, STANDPIPE	1
25.	230159	O-RING, STANDPIPE	1
26.	100776.DCL	TANK, RECOVERY WHITE	1
	100774	TANK, RECOVERY GRAY	1
27.	100029	GASKET, TANK CONNECTOR	4
28.	140258	STUD, THREADED	3
29.	130415	MOTOR, VAC 5.7/2STG (120 VOLT)	1
	190161	-BRUSH, CARBON	1
	604244	MOTOR, VAC 5.7/2STG (220 VOLT)	1
	190159	-BRUSH, CARBON	1
30.	100038	GASKET, VAC MOTOR	1
31.	140308	CLAMP, HOSE	2
32.	160441	HOSE, EXHAUST	.33ft
33.	210234	GASKET, DRAIN VALVE	1
34.	210239	SEAL, GATE DRAIN VALVE	2
35.	210237	HANDLE, METAL DRAIN VALVE	1
36.	210242	VALVE, DRAIN W/MANDLE	2
37.	210239	SEAL, GATE DRAIN VALVE	2
38.	210232	ELBOW, DRAIN VALVE DWNSPOUT	1
39.	578720	SPLASHGUARD, ROCKER SWITCH	1
40.	210240	NUT, METAL	1

DECAL PARTS LIST (NOT SHOWN)

REF	PART #	DESCRIPTION	QTY.
NS	120905	DECAL, OPERATION INSTRUCTIONS	1
NS	120414	DECAL, DO NOT FILL	1
NS	120409	DECAL, RECOVERY TANK FULL	1
NS	120617	DECAL, HEIGHT ADJUSTMENT	1
NS	120906	DECAL, IMPORTANT DRAIN	1
NS	120619	DECAL, WARNING EXTRACTORS	1
NS	120162	DECAL, HASH LEFT (PE1300)	1
NS	120164	DECAL, HASH RIGHT (PE1300)	1
NS	120163	DECAL, SIDELINE LEFT (PE1300)	1
NS	120165	DECAL, SIDELINE RIGHT (PE1300)	1
NS	120101	DECAL, "CASTEX" (PE1300)	1
NS	120503	DECAL, FRONT "POWER EAGLE" (PE1300)	1
NS	120240	DECAL, NOBLES LOGO (OSNPE1300)	1
NS	603142	DECAL, SCX350 (603067)	2

SOLUTION TANK GROUP

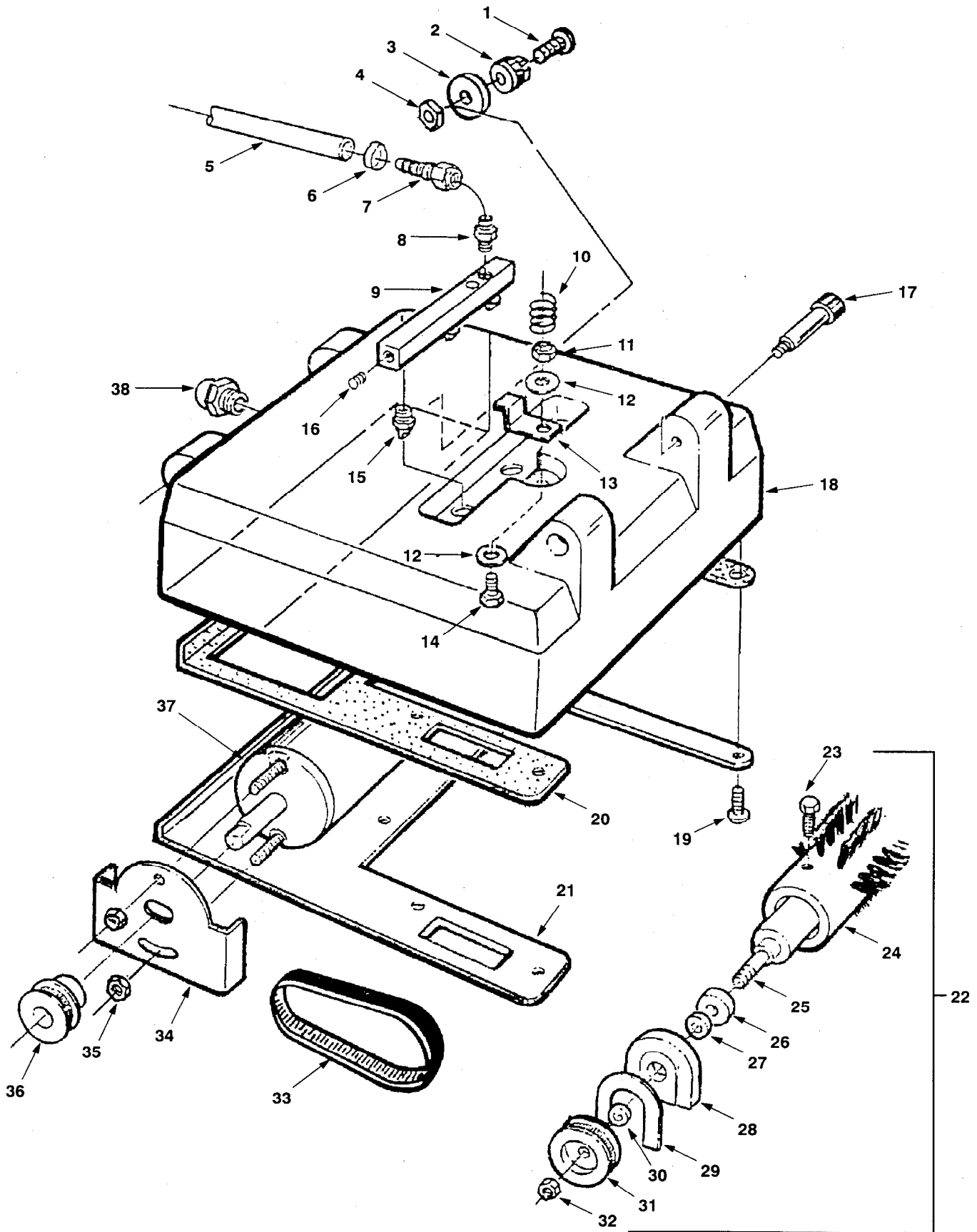


SOLUTION TANK GROUP

REF	PART #	DESCRIPTION	QTY.
1.	140003	WASHER, FENDER	4
2.	140016	WASHER, LOCK	4
3.	140554	SCREW, 1/4-20X3/4	4
4.	100460	TANK, SOLUTION WHITE	1
	100464	TANK, SOLUTION GRAY	1
5.	160207	HOSE, 3/8 GRAY	.66ft
6.	140301	CLAMP, EAR	5
7.	160310	TEE	1
8.	160207	HOSE, 3/8 GRAY	.16ft
9.	150415	ELBOW	2
10.	180628	SCREEN, CLEAN WATER TANK	2
11.	150403	ELBOW, STREET	2
12.	240194	KNOB, HEIGHT ADJ.	1
13.	230382	STUD, HEIGHT ADJ.	1
14.	230638.BK	BRACKET, HEIGHT ADJ.	1
15.	140564	BOLT, SHOULDER 3/8X3/4	2
16.	200452.BL	TOOL, FLOOR 13" BLUE	1
	200452.BK	TOOL, FLOOR 13" BLACK	1
17.	200939	SHOE, FLOOR TOOL 13"	2
18.	140313	CLAMP, FLOOR TOOL	1
19.	140016	WASHER, LOCK	2
20.	140554	SCREW, 1/4-20X3/4	2
21.	230915.BK	CHASSIS, WELDMENT BLACK	1
22.	140007	WASHER, FLAT	4
23.	140016	WASHER, LOCK	4
24.	140553	SCREW, 1/4-20X1/2	4
25.	140914	SPACER, NYLON	2
26.	140898	SCREW, 3/8-16X3/4	2
27.	140040	WASHER, POLY	4
28.	103019	CAP, HUB	2
29.	103014	WHEEL	2

REF	PART #	DESCRIPTION	QTY.
30.	130164	PLUG, DOME	2
31.	130182	BUSHING, STRAIN RELIEF	1
32.	130161	PLUG, DOME	1
33.	140052	WASHER, LOCK	2
34.	140885	SCREW, 1/4-20X1/2	2
35.	130154	PLUG, DOME	1
36.	130104	BUSHING	1
37.	150615	NIPPLE, BRASS	1
38.	140034	WASHER, FLAT	2
39.	150933	PLUG, QUICK COUPLER	1
40.	140519	NUT, KEP	2
41.	160207	HOSE, 3/8 GRAY	1.42ft
42.	140325	CLAMP	1
43.	150515	HOSE BARB	1
44.	150406	ELBOW, STREET	1
45.	210033	VALVE, SOLENOID (120 VOLT)	1
	210036	VALVE, SOLENOID (220 VOLT)	1
46.	150709	TEE, BRASS STREET	1
47.	140058	WASHER	1
48.	140030	WASHER, LOCK	1
49.	150516	HOSE BARB	1
50.	140301	CLAMP	1
51.	160207	HOSE, 3/8 GRAY	.58ft
52.	140310	CLAMP, HOSE	2
53.	140872	SCREW, #6X3/8	4
54.	180134	PUMP (120 VOLT)	1
	180119	PUMP (220 VOLT)	1
55.	160226	TUBING, CLEAR	2ft
56.	150514	HOSE BARB	1
57.	160207	HOSE, 3/8 GRAY	2ft
58.	140895	SCREW, 10-24X3/4	1

BRUSH PARTS GROUP



BRUSH PARTS GROUP

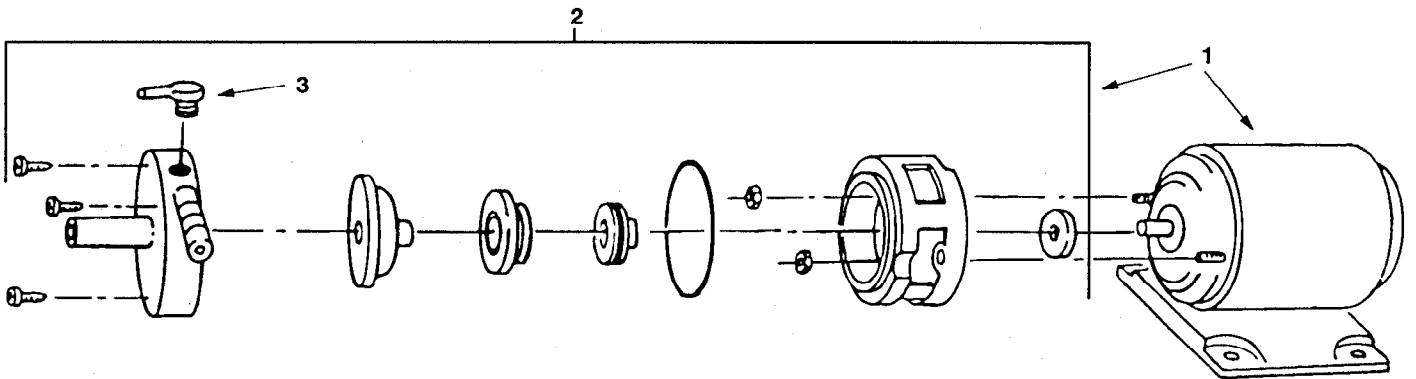
REF	PART #	DESCRIPTION	QTY.
1.	140831	SCREW, 6/32X5/8	1
2.	130304	RECTIFIER (120 VOLT & 220 VOLT)	1
3.	140041	WASHER, FENDER	1
4.	140539	NUT, KEP	1
5.	160204	HOSE	1.42ft
6.	140325	CLAMP	2
7.	150526	HOSE BARB	1
8.	150616	ADAPTER	1
9.	230254	SPRAYBAR MANIFOLD	1
10.	140407	SPRING	1
11.	140515	NUT, LOCK	1
12.	140028	WASHER, FLAT	2
13.	230264.BK	CLAMP, SPRAYBAR MANIFOLD	1
14.	140233	SCREW, 3/8-16X3/4	1
15.	200979	NOZZLE	3
16.	150208	PLUG, BRASS COUNTERSUNK	3
17.	140564	BOLT, SHOULDER	2
18.	101336	HOUSING, BRUSH BLUE	1
	602785	HOUSING, BRUSH GRAY	1
19.	140887	SCREW, 10-24X3/8	10
20.	100026	GASKET, BASE PLATE	1

REF	PART #	DESCRIPTION	QTY.
21.	100733.BK	PLATE, BRUSH	1
▽22.	700816	ASM, BRUSH 13"	1
▲23.	140554	SCREW, 1/4-20X3/4	4
▲24.	240037	BRUSH, 13" CYLINDER	1
▲25.	230275	SHAFT, BRUSH BEARING	1
▲26.	100049	SEAL, BRUSH BEARING	2
▲27.	140125	BEARING, BRUSH	2
▲28.	230261	BLOCK, BEARING	2
▲29.	100005	GASKET, BEARING BLOCK	1
▲30.	230363	SPACER	1
▲31.	230505	PULLEY, BRUSH	1
▲32.	140548	NUT, FINISHED JAM	1
33.	230507	BELT, BRUSH DRIVE	1
34.	230366	PLATE, MOTOR MOUNT	1
35.	140518	NUT, KEP	2
36.	230506	PULLEY, MOTOR	1
37.	130471	MOTOR, BRUSH DRIVE (120V)	1
	190150	-BRUSH CARD	1
	130472	MOTOR, BRUSH DRIVE (220V)	1
	190154	-BRUSH CARD	1
38.	130190	CORD GRIP	1

▽ Assembly

▲ Included in Assembly

SOLUTION PUMP PARTS GROUP

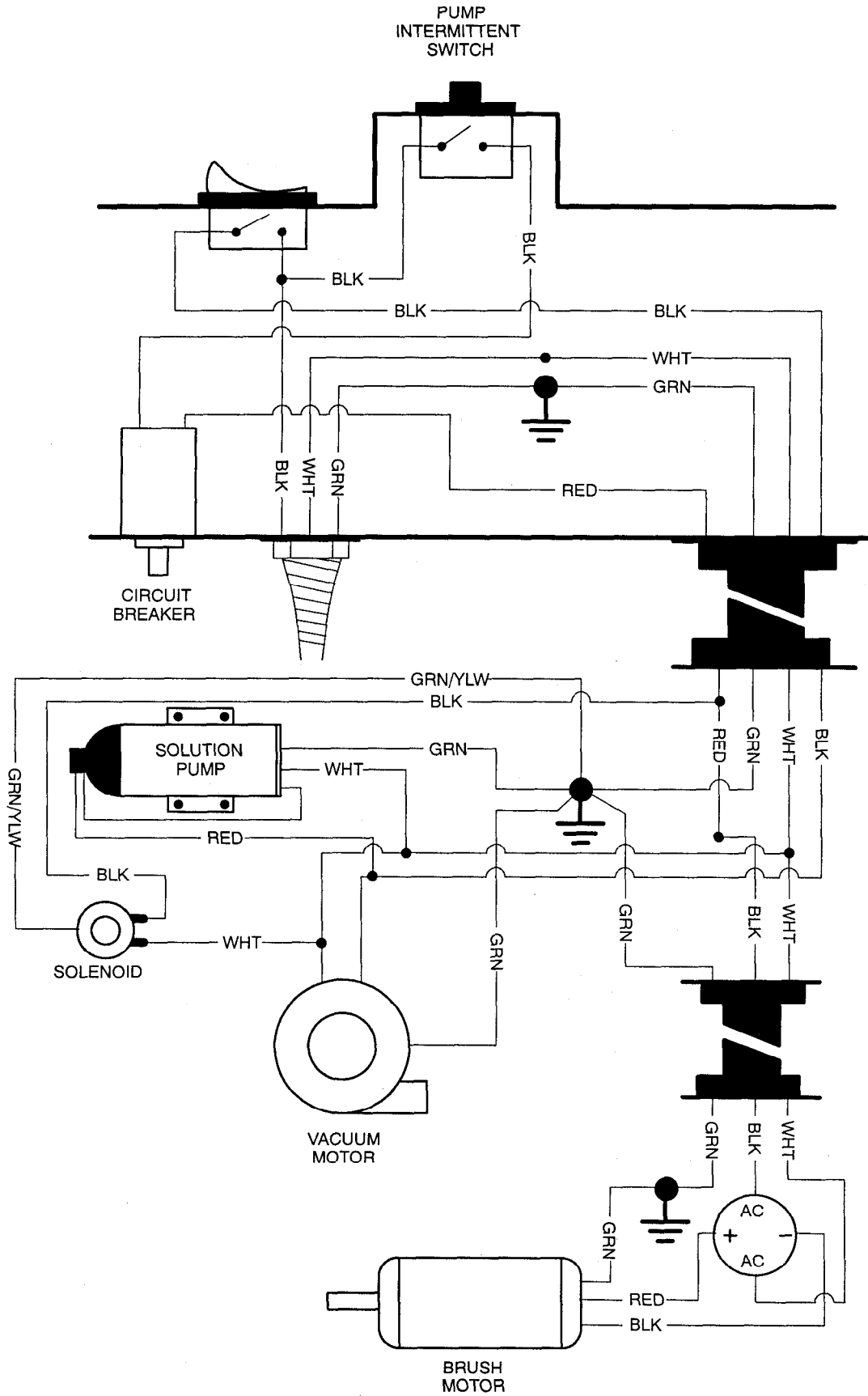


REF	PART #	DESCRIPTION	QTY.
1.	180134	PUMP, 120V (COMPLETE)	1
	180119	PUMP, 230V (COMPLETE)	1

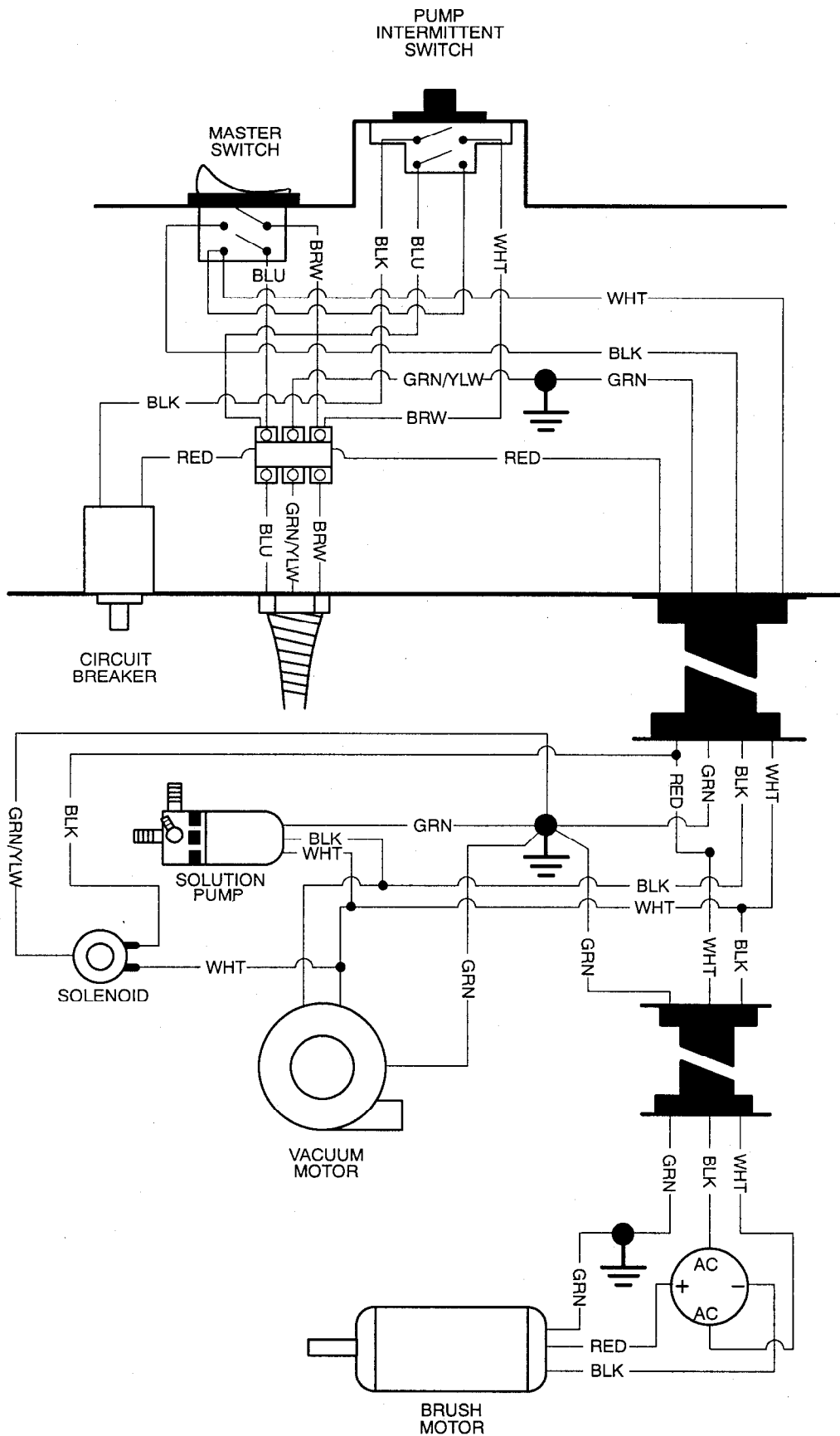
REF	PART #	DESCRIPTION	QTY.
2.	190500	SERVICE KIT	1
3.	190505	VENT FITTING	1

ELECTRICAL DIAGRAMS

120 VOLT

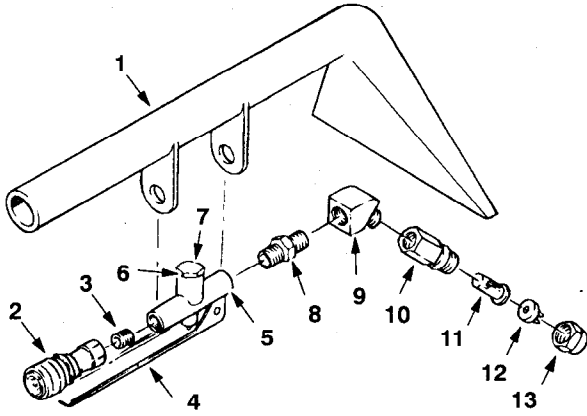


230 VOLT



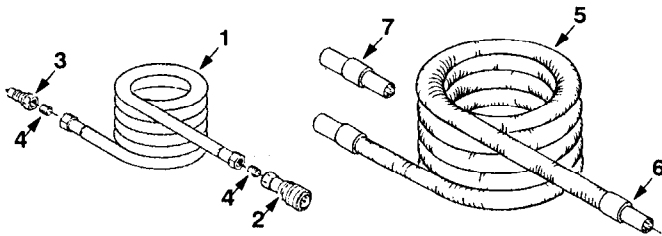
OPTIONAL ACCESSORIES

5" HAND TOOL



REF	PART #	DESCRIPTION	QTY.
	200505	TOOL, HAND (COMPLETE)	1
1	200431.BK	TOOL, HAND	1
2	150913	COUPLER, QUICK (SER. 60)	1
3	150615	NIPPLE, CLOSE	1
4	200905	TRIGGER, HAND TOOL	1
5	210210	VALVE, FLOW CONTROL	1
6	190600	VALVE PIN & SPRING (NOT SHOWN)	1
7	N/A	CAP, VALVE	1
8	150606	NIPPLE, HEX 1/4	1
9	150403	ELBOW, ST 1/4 45°	1
10	200992	BODY, SPRAY 1/4F	1
11	200996	SCREEN, SPRAY NOZZLE	1
12	200965	TIP, SPRAY #8002	1
13	200994	CAP, SPRAY BODY	1

SOLUTION AND VACUUM HOSES

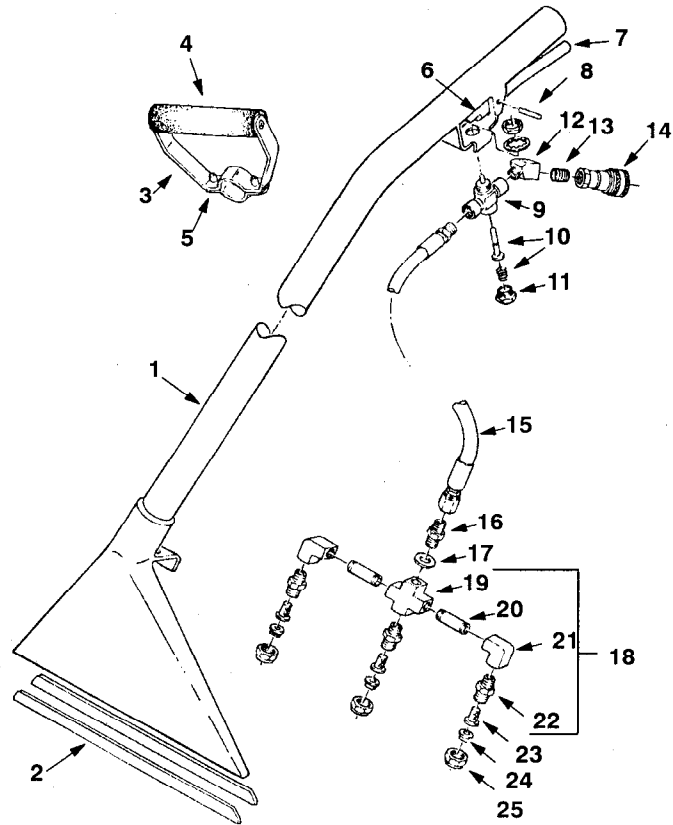


REF	PART #	DESCRIPTION	QTY.
∇1	160185	HOSE, SOLUTION 15'	1
	160186	HOSE, SOLUTION 25'	1
▲2	150913	COUPLER, QUICK SER. 60	1
▲3	150933	PLUG, QUICK COUPLER	1
▲4	150615	NIPPLE	2
∇5	160400	HOSE, VACUUM 15' W/ CUFFS	1
	160401	HOSE, VACUUM 25' W/ CUFFS	1
▲6	160430	CUFF, HOSE 1-1/2"	2
7	160451	CONNECTOR, VACUUM HOSE 1-1/2"	1

∇ Assembly

▲ Included in Assembly

FLOOR TOOL



REF	PART #	DESCRIPTION	QTY.
	600048	FLOOR TOOL (COMPLETE)	1
1	200403.BK	TOOL, FLOOR	1
2	200939	SHOES, S/S, FLOOR TOOL	2
3	200927	GRIP, ADJUSTABLE (COMPLETE)	1
4	200912	FOAM, GRIP	1
5	140259	SCREW, 1/4-20X5/8	1
6	200902	TRIGGER, FLOOR TOOL	1
7	200809	SLEEVE, TRIGGER	1
8	140605	PIN	1
	140520	NUT, PUSH (NOT SHOWN)	2
9	210150	VALVE, FLOW CONTROL	1
10	190603	KIT, VALVE PIN & SPRING	1
11	N/A	CAP, HEX, VALVE	1
12	150403	ELBOW, 1/4-45°	1
13	150615	NIPPLE, CLOSE 1/4	1
14	150913	COUPLER, QUICK SER. 60	1
15	160170	HOSE, SOLUTION, LP	1
16	150606	NIPPLE, HEX 1/4"	1
17	140058	WASHER	1
∇18	700062	ASM., SPRAY BAR	1
▲19	150700	CROSS	1
▲20	150600	NIPPLE	2
▲21	150401	ELBOW, 90° 1/4FX1/4F	2
▲22	200993	SPRAY BODY	3
23	200996	SCREEN, SPRAY BODY	3
24	200964	TIP	3
25	200994	CAP, SPRAY BODY	3