



Electronic Service Manuals

This electronic document is provided as a service to our customers. We do not create the contents of the information contained in this document. Should you have detailed questions pertaining to the information contained in this document, you may contact Michco, or the manufacturer which provided the original information in this electronic deliverable. Michco's only part in this electronic deliverable was the electronic assembly process. By providing this manual on line we are not guaranteeing parts availability.

You may contact Michco through the following methods:

Phone (517) 484-9312 or (800) 331-3339

2011 N. High St. -- Lansing, Michigan -- 48906

Fax: (517) 484-9836

Email: CustServe@Michco.com

Web site: www.Michco.Com

Parts Web site: www.FloorMachineParts.Com

Order Parts on Line at:

www.FloorMachineParts.Com

Directly to Parts & Service:

By Email: **Shop@Michco.com**

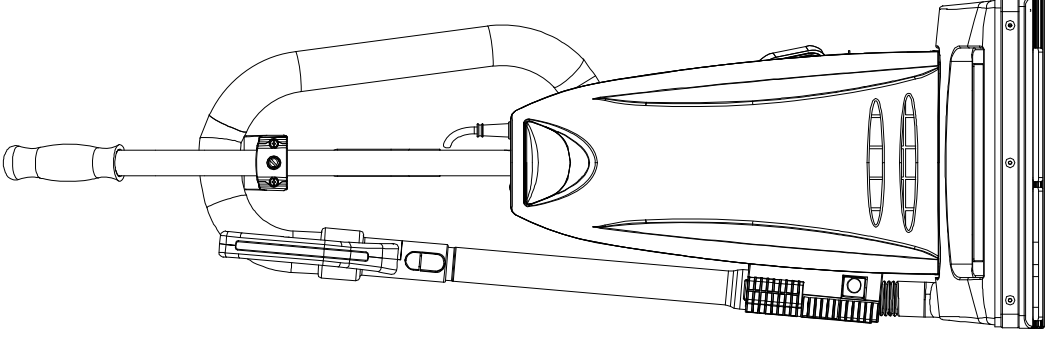
By Fax: (517) 702-2041

By Voice: Use numbers above.

Serving the Cleaning Industry Since 1922

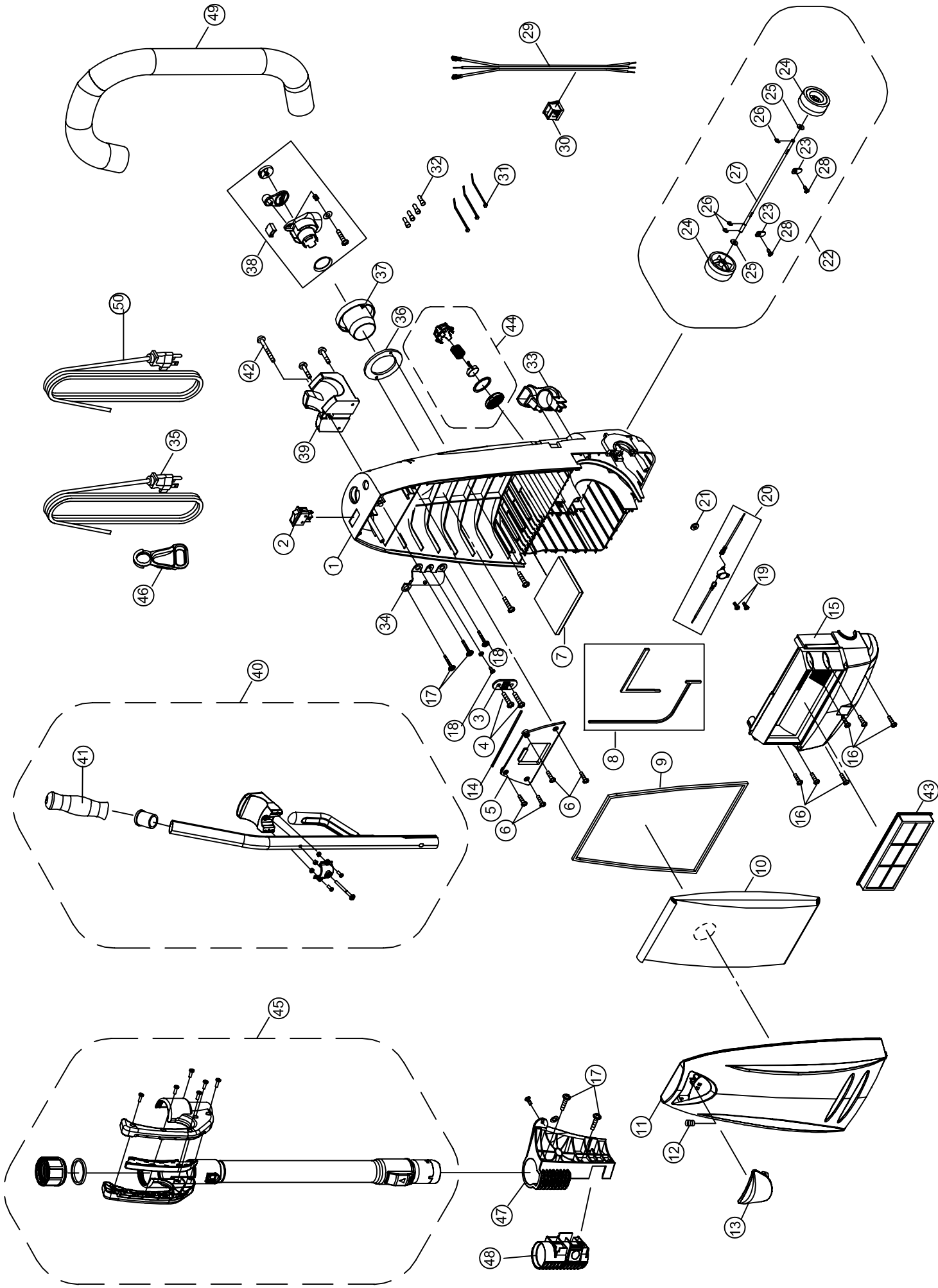
Notice: All copyrighted material remains property of original owners, all trademarks are property of respective owners. Manuals are subject to Manufacturer's reproduction limitations. Originals or reproductions were provided by manufacturers through a request. We make no warranty as to the correctness of information provided in this document and you assume all risk. By placing these manuals on line we are not declaring our corporation to be an manufacturer authorized dealer or provider, please check our web site for authorized manufacturers we represent.

PARTS LIST



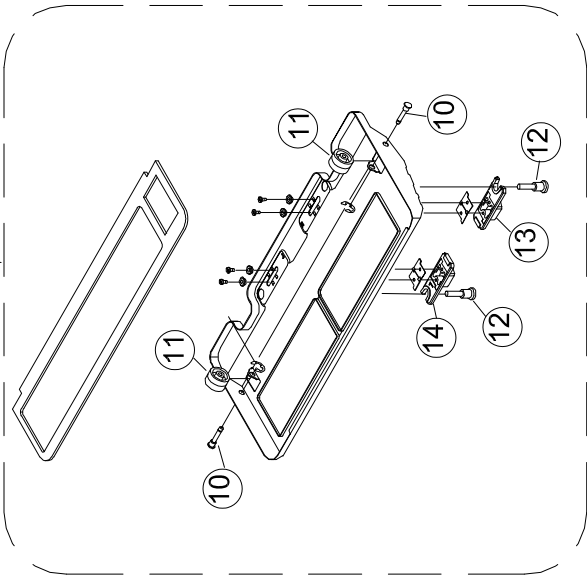
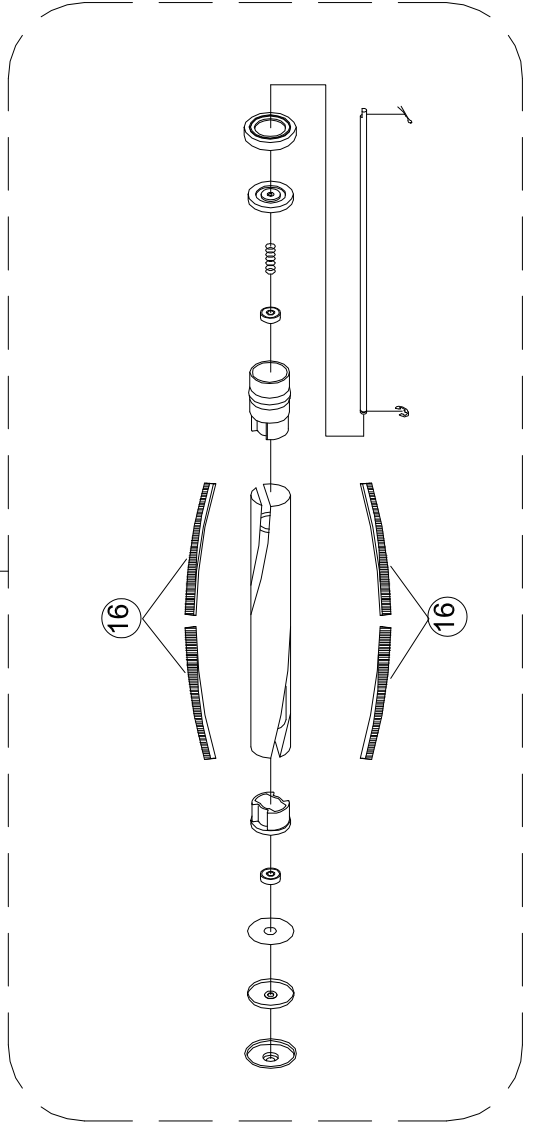
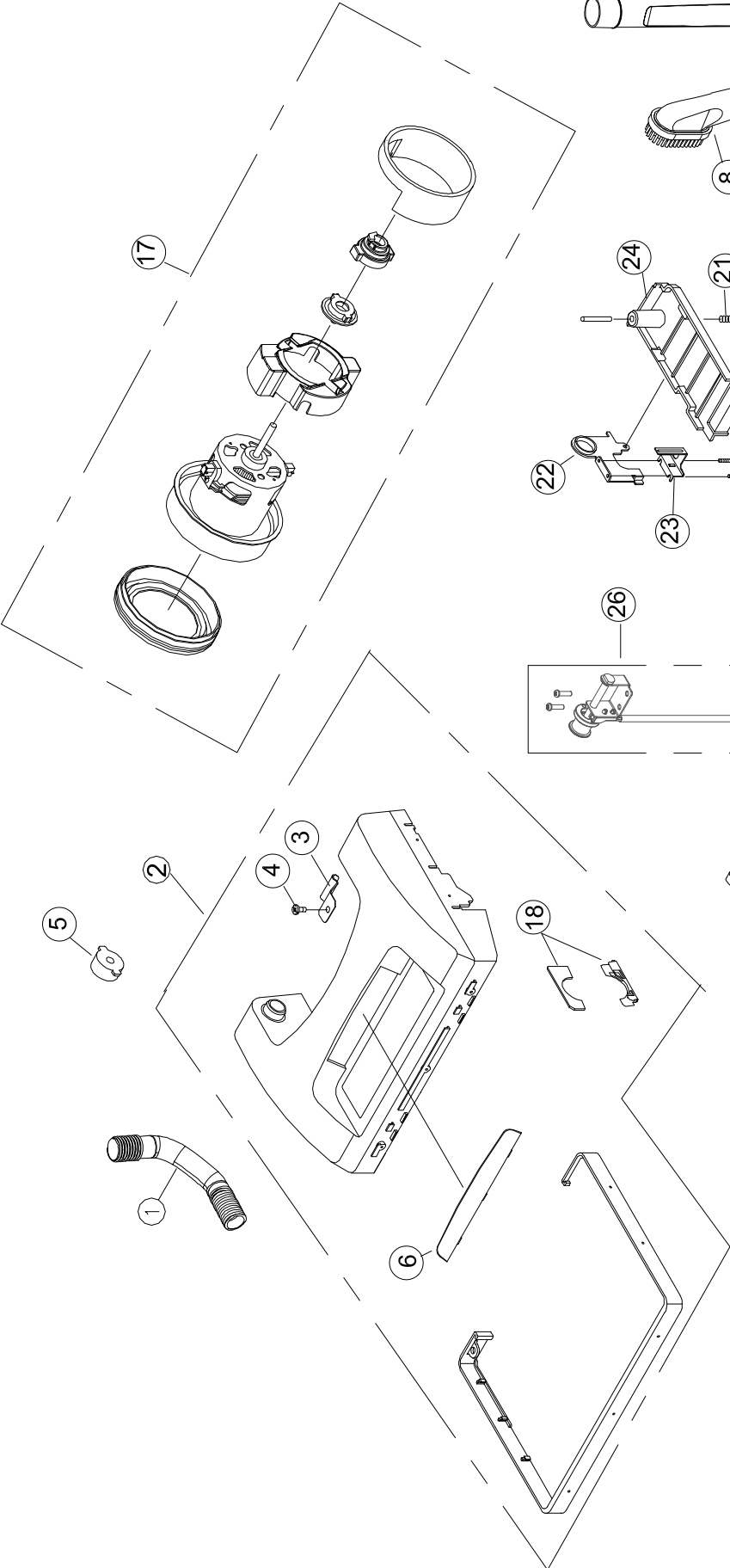
MODEL CMPS-QDZ
VPPB-CMPS-QDZ

A



KEY	ITEM	DESCRIPTION	KEY	ITEM	DESCRIPTION
1	CM021001	Dust Compartment	27	54.135	Rear Wheel Shaft
2	25.104	Switch	28	A732-8500	Screw
3	84.100	Internal Cord Strap	29	B224-3014B	Motor Lead Cord
4	A732-8314	Screw	30	A732-4114	Wire Bushing
5	84.102	Switch Cover	31	A732-0100	Zip Tie
6	A732-4500	Screw	32	B123-0100	Wire Connector
7	CMPS-SF	Secondary Filter	33	CM021007	On-Board Tools Holder
8	84.103	Seal Kit	34	CM021009	Handle Retainer
9	54.134	Dust Compartment Seal	35	CMPS-50C	Power Cord
10	CMF-12	Paper Bag	36	Z19	Swivel Inlet Gasket
11	CM-A0101	Dust Cover	37	B211-0230	Paper Bag Inlet
12	54.123	Latch Spring	38	C625-0131	Suction Inlet Assembly
13	54.124	Dust Cover Latch	39	54.140	Hose Hanger
14	54.128	Switch Cover Seal	40	CMQD-TUBE	Handle Assembly Complete
15	CM021005	Motor Cover	41	CMQD-GRIP	Rubber Handle Grip
16	CM031006	Screw	42	A232-0100	Handle Screw
17	A732-8314	Screw	43	CMPS-HEPA	HEPA Exhaust Final Filter
18	84.110	Screw	44	CM021021	Suction Relief Valve Assembly
19	A732-0700	Screw	45	CMQD-HANDLE	Handle Grip Assembly
20	B333-0400B	Thermal Reset Switch	46	B352-6900	Cord Restraint
21	B333-0600	Temperature Switch Seal	47	CMQD-WNDHLD	Quick Draw Attachment Holder
22	CM021006	Rear Wheel and Axle	48	CMQD-CO	Quick Draw Clean Out
23	54.136	Washer	49	CMQD-HOSE	Nozzle Hose
24	B210-0531	Rear Wheel	50	CMPS-EXT30	CleanMax 30" Yellow Ext Cord
25	A328-0100B	Washer		CM011458	CleanMax Pro Series Lead Cord
26	A732-0300	E-Ring			Pigtail Style Units

B

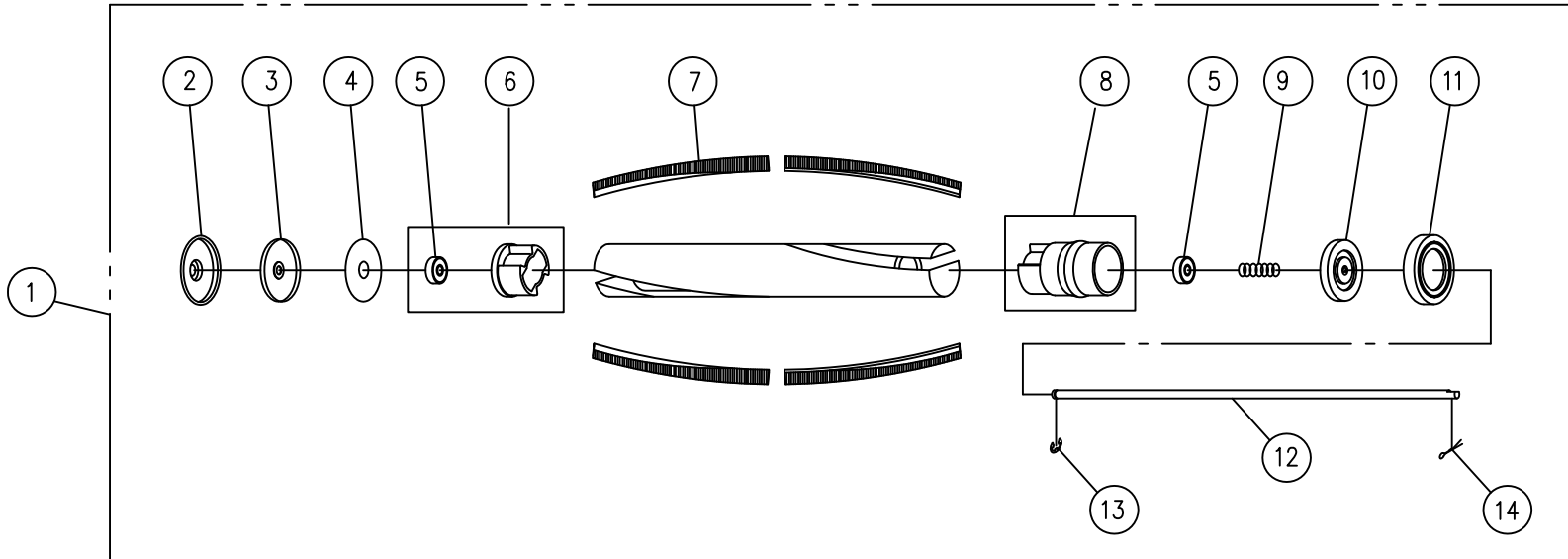


DRAWING B

CMPS-QDZ

KEY	ITEM	DESCRIPTION
1	CMQD-NOZHOSE	Nozzle Hose
2	CMFZ-NH	Nozzle Housing
3	53.088B	Handle Release Spring
4	CM031000	Screw
5	84.200	Pivot Sleeve Bushing
6	CM011001	Lens
7	CM040002	Crevice Tool
8	CM040003	Round Brush
9	CM011007	Base Plate Assembly
10	B010-0500	Base Plate Wheel Axle
11	B010-0413	Base Plate Wheel
12	CM011012	Base Plate Latch Stud
13	CM011008	Base Plate Latch Left
14	CM011009	Base Plate Latch Right
15	CMFZ-BROLL	Brush Roll Assembly
16	CMF-STRIP	Agitator Brush
17	CM011010	Motor
18	B017-1200	Venting Support Fitting
19	CMPS-BB	Belt
20	CM031004	Screws
21	CM031005	Spring
22	CM011004	Pedal Frame
23	B014-0500	Belt Cover
24	CM011006	Pedal
25	A732-7300	Screws
26	D375-1400	Hall Sensor Idler Assy

AGITATOR GROUP CMPS-QDZ



KEY	Part No	Description
1	CMPZ-BROLL	Agitator Assembly Complete
2	B012-0214	Rubber End Cover Left
3	B012-0700	End Cap Left
4	B012-0600	Agitator Bearing Felt Cover
5	B012-1400	Agitator Bearing
6	C012-1500	Agitator Bearing Holder Assy
7	CMP-STRIP	Agitator Brush Strip 10.3mm
8	C012-0914	Non Clutch Agitator Pulley w/Bearing
9	B624-0100	Spacing Spring
10	B012-0800	End Cap Right
11	B012-0114	Rubber End Cover Right
12	B012-1000	Agitator Shaft
13	A732-0200	E-Clip 4mm
14	A732-0400	Agitator Spring Clip