



## Electronic Service Manuals

This electronic document is provided as a service to our customers. We do not create the contents of the information contained in this document. Should you have detailed questions pertaining to the information contained in this document, you may contact Michco, or the manufacturer which provided the original information in this electronic deliverable. Michco's only part in this electronic deliverable was the electronic assembly process. By providing this manual on line we are not guaranteeing parts availability.

You may contact Michco through the following methods:

Phone (517) 484-9312 or (800) 331-3339

2011 N. High St. -- Lansing, Michigan -- 48906

Fax: (517) 484-9836

Email: [CustServe@Michco.com](mailto:CustServe@Michco.com)

Web site: [www.Michco.Com](http://www.Michco.Com)

Parts Web site: [www.FloorMachineParts.Com](http://www.FloorMachineParts.Com)

Order Parts on Line at:

**[www.FloorMachineParts.Com](http://www.FloorMachineParts.Com)**

Directly to Parts & Service:

By Email: **[Shop@Michco.com](mailto:Shop@Michco.com)**

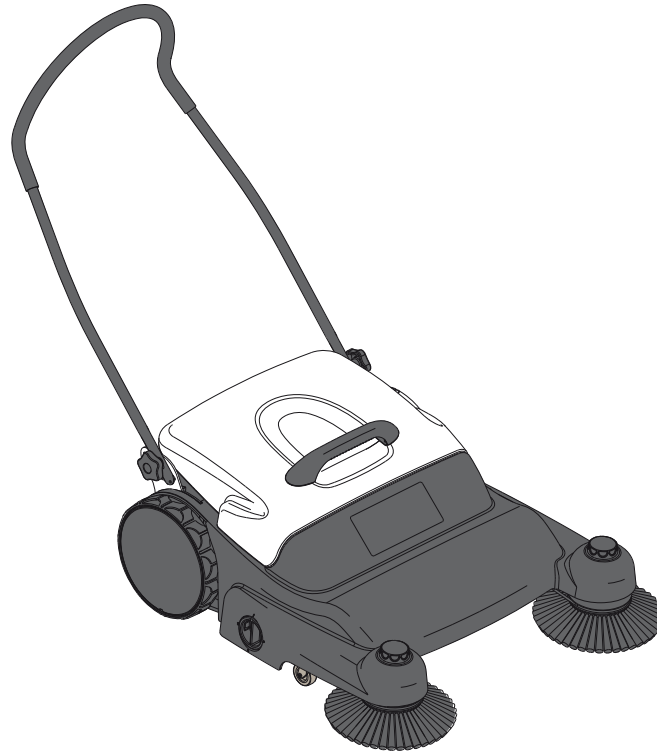
By Fax: (517) 702-2041

By Voice: Use numbers above.

**Serving the Cleaning Industry Since 1922**

Notice: All copyrighted material remains property of original owners, all trademarks are property of respective owners. Manuals are subject to Manufacturer's reproduction limitations. Originals or reproductions were provided by manufacturers through a request. We make no warranty as to the correctness of information provided in this document and you assume all risk. By placing these manuals on line we are not declaring our corporation to be an manufacturer authorized dealer or provider, please check our web site for authorized manufacturers we represent.

# SW 26



**Operator's Manual / Libro de Instrucciones / Manuel d'utilisation**  
Model: 9084805010



**READ THIS BOOK**

**LEA ESTE MANUAL**

**LISEZ CE MANUEL**

**EN**

**English (1 - 8)**

**ES**

**Español (9 - 16)**

**FR**

**Français (17 - 24)**

This book has important information for the use and safe operation of this machine. Failure to read this book prior to operating or attempting any service or maintenance procedure to your Clarke machine could result in injury to you or to other personnel; damage to the machine or to other property could occur as well. You must have training in the operation of this machine before using it. If your operator(s) cannot read this manual, have it explained fully before attempting to operate this machine.

All directions given in this book are as seen from the operator's position at the rear of the machine.



## TABLE OF CONTENTS

<b>INTRODUCTION .....</b>	<b>2</b>
HOW TO KEEP THIS MANUAL .....	2
IDENTIFICATION DATA .....	2
OTHER REFERENCE MANUALS .....	2
SPARE PARTS AND MAINTENANCE .....	2
CHANGES AND IMPROVEMENTS .....	2
<b>UNPACKING/DELIVERY .....</b>	<b>2</b>
<b>IMPORTANT SAFETY INSTRUCTIONS .....</b>	<b>2</b>
SYMBOLS .....	3
GENERAL INSTRUCTIONS .....	3
<b>MACHINE DESCRIPTION .....</b>	<b>3</b>
TECHNICAL DATA .....	3
MACHINE STRUCTURE AND CONTROLS .....	4
<b>USE .....</b>	<b>4</b>
SWEEPER OPERATION .....	5
HOPPER EMPTYING .....	5
AFTER USING THE MACHINE .....	5
<b>MAINTENANCE .....</b>	<b>5</b>
SCHEDULED MAINTENANCE TABLE .....	5
SWEEPER MAINTENANCE .....	5
MACHINE CLEANING .....	6
BROOM ADJUSTMENT .....	6
MAIN BROOM DISASSEMBLY/ASSEMBLY .....	6
SIDE BROOM DISASSEMBLY/ASSEMBLY .....	7
<b>TROUBLESHOOTING .....</b>	<b>8</b>
<b>SCRAPPING .....</b>	<b>8</b>
<b>PARTS LIST .....</b>	<b>25</b>

## INTRODUCTION



**NOTE**

*The numbers in brackets refer to the components shown in Machine Description chapter.*

The purpose of this Manual is to provide the operator with all the information to get the best performances from Clarke SW 26. Before operating the machine, read carefully the following information. The machine here described is intended for commercial use only.

### HOW TO KEEP THIS MANUAL

The Operator's Manual must be kept near the machine, inside an adequate case, away from liquids and other substances that can cause damage to it.

### IDENTIFICATION DATA

The machine Model and Serial Number are shown on the plate on the machine itself. The machine production year is indicated by the first two figures of the machine serial number. This information is useful when requiring machine spare parts. Use the following table to write down the machine identification data.

MACHINE model .....
MACHINE serial number .....

### OTHER REFERENCE MANUALS

- Spare Parts List (supplied with the machine)

### SPARE PARTS AND MAINTENANCE

Any repair must be performed at authorized Clarke Service Centers by qualified personnel, which will use original spare parts and accessories. Contact your Clarke Dealer for any repair or service, and specify your machine model and serial number.

### CHANGES AND IMPROVEMENTS

Clarke constantly improves its products and reserves the right to make changes and improvements at its discretion without being obliged to apply such benefits to the machines that were previously sold. Any change and/or addition of accessory must be approved and performed by Clarke.

### UNPACKING/DELIVERY

Upon delivery check that the packing and the machine were not damaged during transportation. In case of visible damages, keep the whole packing to have it checked. Contact your Clarke Dealer immediately to file a freight damage claim. Remove the sweeper from the packing, loosen the knobs (2) and unfold the handlebar (1). Tighten the knobs to fasten the handlebar.

### IMPORTANT SAFETY INSTRUCTIONS

This machine is intended for commercial use only, i.e. hotels, schools, factories, shops and offices, that is to say that it is not intended for domestic use. Read all the instructions before use.

## SYMBOLS



### DANGER!

*It indicates a dangerous situation with risk of death for the operator.*



### WARNING!

*It indicates a potential risk of injury for people.*



### CAUTION!

*It indicates a caution or a remark related to important or useful functions. Pay particular attention to the paragraphs marked by this symbol.*



### NOTE

*It indicates a remark related to important or useful functions.*



### CONSULTATION

*It indicates the necessity to refer to the Operator's Manual before performing any procedure.*

## GENERAL INSTRUCTIONS

Specific warnings and cautions to inform about potential damages to people and machine are shown below.



### WARNING!

**To reduce the risk of fire or personal injuries:**

- *This sweeper is not suitable for collecting dangerous powders.*
- *Do not collect toxic, carcinogen, combustible materials or other dangerous materials such as asbestos, arsenic, barium, beryllium, lead, pesticide or other harmful materials.*
- *Do not collect burning cigarette butts or other burning objects, ash, matches or similar.*
- *To remove glass, metals or sharp objects from the hopper, wear thick gloves to prevent personal injuries.*
- *Empty the hopper after each use.*
- *This walk-behind sweeper is not suitable to collect liquids.*
- *This sweeper must be used in dry conditions, it must not be used or kept outdoors in wet conditions.*
- *Do not use the sweeper on uneven surfaces.*
- *Do not allow to be used as a toy. Pay careful attention when using the machine near children.*
- *Use only brooms supplied with the machine or those specified in the Operator's Manual. Using other brooms could reduce safety.*
- *Before using the sweeper, doors and covers must be as shown in the Operator's Manual.*
- *During the sweeping operation, foreign materials may get into the eyes of the operator. Thus, it is advisable to wear protective glasses.*
- *Please be watchful. Pay careful attention to the machine operation and use common sense. Do not use the machine when tired, absent-minded, under the effect of drugs, alcoholics or medicines which can compromise the control over the machine.*

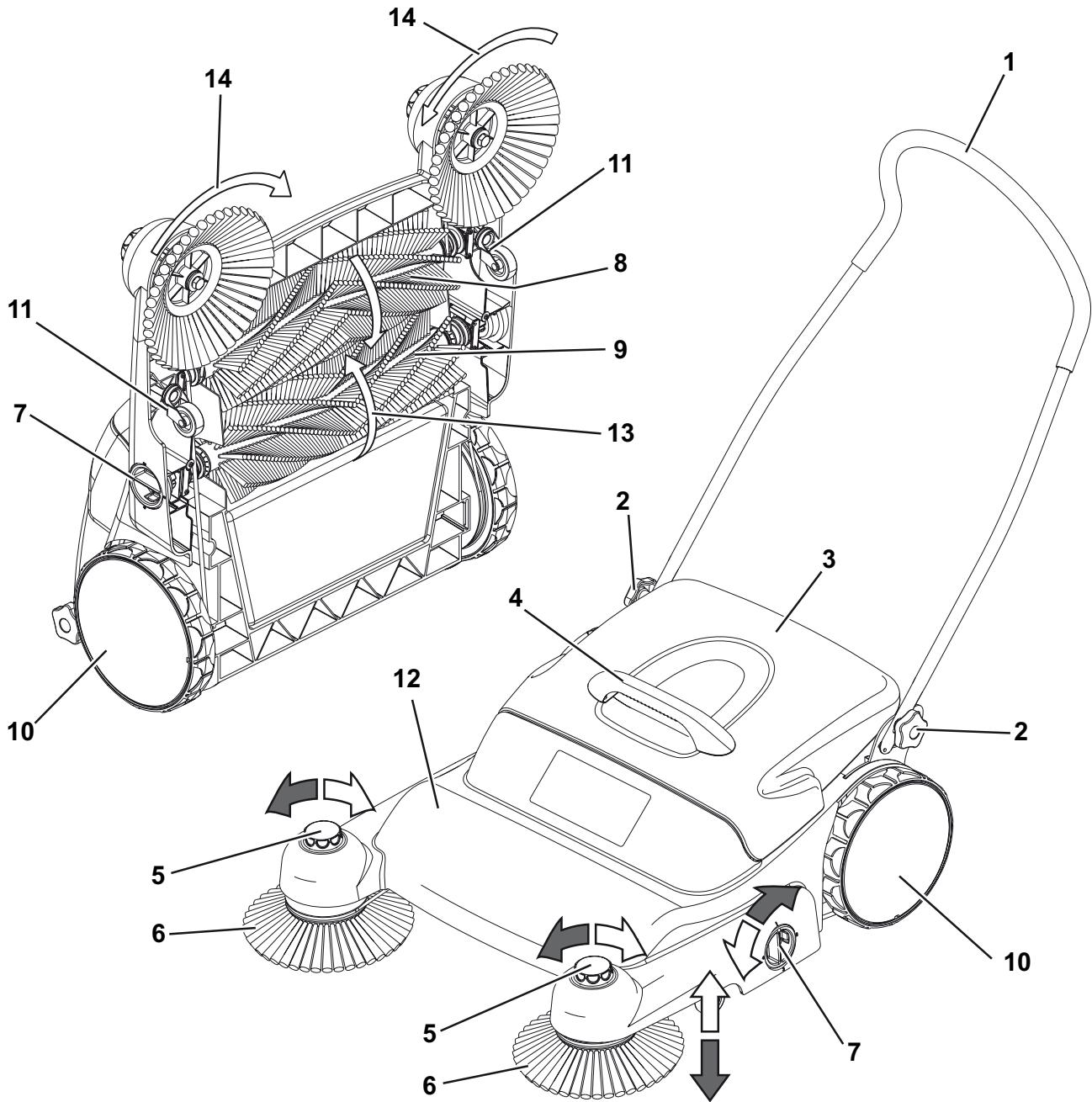
## MACHINE DESCRIPTION

### TECHNICAL DATA

General	Values
Cleaning width with side brooms	32.3 in (820 mm)
Main cylindrical broom cleaning width	17.7 in (450 mm)
Machine size with folded handlebar (length x width x height)	35 x 32.3 x 13.6 in (890 x 820 x 345 mm)
Machine size with unfolded handlebar (length x width x height)	51.2 x 32.3 x 40.5 in (1,300 x 820 x 1,030 mm)
Main broom size (diameter x length)	5.9 x 17.7 in (150 x 450 mm)
Side broom diameter	10.2 in (260 mm)
Hopper capacity	9 USgal (theoretical) 5 USgal (actual) [34 L (theoretical) - 19 L (actual)]
Total machine weight	35.3 lb (16 kg)

**MACHINE STRUCTURE AND CONTROLS**

- |                                     |                                   |
|-------------------------------------|-----------------------------------|
| 1. Adjustable handlebar             | 8. Fixed front main broom         |
| 2. Handlebar adjusting knobs        | 9. Adjustable rear main broom     |
| 3. Hopper                           | 10. Rear wheel                    |
| 4. Hopper handle                    | 11. Front pivoting wheel          |
| 5. Side broom height adjusting knob | 12. Sweeper frame                 |
| 6. Side broom                       | 13. Main broom rotation direction |
| 7. Main broom height adjusting knob | 14. Side broom rotation direction |



**USE**

This sweeper has been designed to clean flat and paved surfaces. The manufacturer is not responsible for damages coming from failure to follow these instructions.

The manufacturer is not responsible for damages coming from unauthorized machine modifications.



**WARNING!**

*The machine is not suitable to collect flammable, explosive, poisonous, carcinogen and harmful substances or materials.*

### SWEeper OPERATION

1. If necessary, adjust the handlebar (1) to one of the 3 positions, by using the knobs (2).
2. Grab the handlebar and push the machine forward no faster than a normal walking pace. The machine does not work if dragged backwards.



**CAUTION!**

*If the machine is to be used on wet floors, use it only for short intervals.*

3. The hopper (3) should be emptied after each working cycle and whenever it is full.



**NOTE**

*When the hopper is full, the machine cannot collect dust and debris anymore.*

### HOPPER EMPTYING

1. Lift the hopper with the handle (4) in the front side and empty it into a proper container.
2. Install the hopper on the machine by inserting the lower end into the machine frame (12). Slightly press downwards until the hopper is in the proper position.
3. It is advisable to empty the hopper after each use and whenever it is necessary.

### AFTER USING THE MACHINE

After working, before leaving the machine: empty the hopper (4) and check the main brooms (8 and 9) to remove foreign materials (lace, wire, strings or similar) which can compromise the proper operation.

To store the machine in a narrow place, fold the handlebar (1).

- Loosen the knobs (2) and pull the handlebar upwards.
- Fold down the handlebar and lock it.

Then place the machine in a vertical position to preserve the broom bristles.

### MAINTENANCE



**CAUTION!**

*Only perform the maintenance procedures described in this Manual.*

*For other procedures, contact the Service Center.*

*Use only Clarke original spare parts and accessories.*

The lifespan of the machine and its maximum operating safety are ensured by correct and regular maintenance.

### SCHEDULED MAINTENANCE TABLE

Procedure	After working	Monthly	When necessary
Place the machine in a vertical position			
Empty the hopper (3)			
Clean the main (8 and 9) and side brooms (6)			
Clean the machine			
Replace the main broom (9) when worn			
Replace the side brooms (6) when worn			
Replace the driving belt			(*)

(\*) Contact an authorised Service Center or Retailer.

### SWEeper MAINTENANCE

After each use, perform the following procedures:

- Empty the hopper (3).
- Check if there are foreign objects caught in the brooms or wheels and remove them immediately.
- Clean the brooms and remove any lace, wire, strings or similar, which can compromise the machine efficiency and cause damages due to the drive system sticking.
- Periodically check the main and side brooms for wear ; adjust their height or replace them when the sweeping capacity is reduced.

## MACHINE CLEANING

Regularly clean the machine with a wet cloth.



### CAUTION!

*Do not clean the machine with pressure washer!*

All bearings are protected against dust and do not require lubrication or maintenance.

## BROOM ADJUSTMENT

Adjust the broom height when the bristles are worn or when their efficiency is compromised.

1. Adjust the height of the main broom (9) with the two knobs (7). When turning them, each step on the marked numbers amounts to a broom lowering.  
Check that the two knobs (7) are on the same marked number. Otherwise there will be a difference in the longitudinal pressure of the broom.
2. Adjust the height of the side brooms (6) with the knobs (5). When turning them counter-clockwise, each step amounts to a broom lowering.

After the adjustment, push the machine to check that it moves smoothly, without difficulty or resistance. Otherwise, repeat the broom adjustment procedure.

If the brooms are too worn, replace them.

## MAIN BROOM DISASSEMBLY/ASSEMBLY



### CAUTION!

*It is advisable to wear protective gloves when replacing the brooms because there can be sharp debris between the bristles.*



### NOTE

*Only the rear main broom touches the floor and wears.*

### Disassembly

1. Place the machine in a suitable place, with the bottom side up.
2. Remove the screws (A, Fig. 1), then remove the supports (B) with the main broom (C). Pay attention to the driving belt (D) of the front main broom.
3. Remove the driving belt (E, Fig. 2) from its housing on the main broom (F).
4. Remove the main broom (F) and keep screws, supports and bearings (G) for reassembly.

### Assembly

5. Assemble the main broom in the reverse order of disassembly, and note the following:
  - Install the main broom with the bristles as shown in (H, Fig. 1).
  - Install the short driving belt by crossing it as shown (I, Fig. 2).
  - Pay attention to the proper position of the long driving belt (D, Fig. 1).
  - Turn the 2 knobs (7) on the position 1.

After installation, check the sweeper operation by testing the rotation direction of the brooms (13).

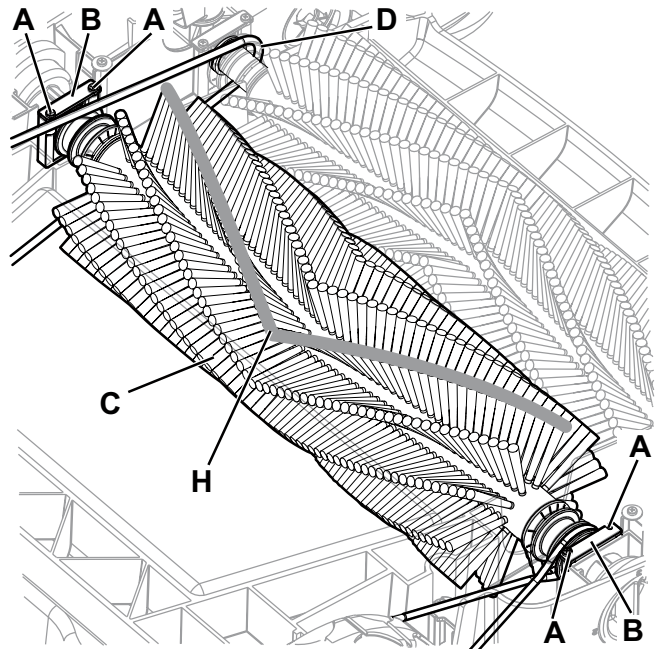


Figure 1

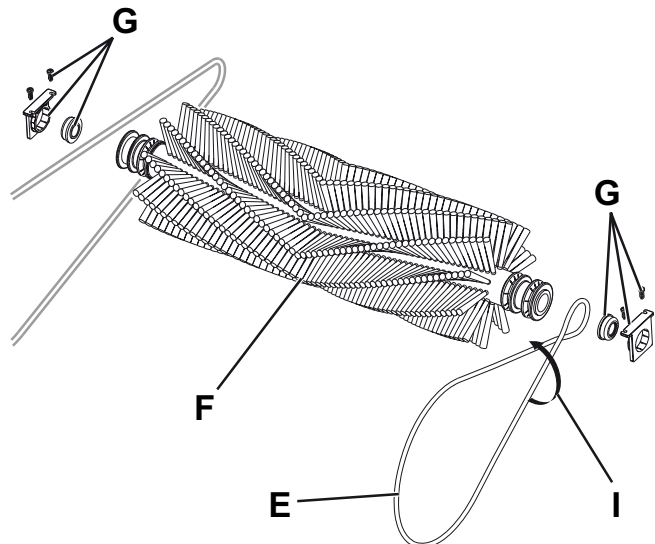


Figure 2

## SIDE BROOM DISASSEMBLY/ASSEMBLY



**CAUTION!**  
It is advisable to wear protective gloves when replacing the brooms because there can be sharp debris between the bristles.

**Disassembly**

1. Place the machine in a suitable place, with the bottom side up.
2. Remove the screw (A, Fig. 3), and keep the washer (B) and the bearings (C) for reassembly.
3. Remove the driving belt (D) and the side broom (E).
4. Replace the side broom.

**Assembly**

5. Assemble the side broom in the reverse order of disassembly, and note the following:
  - Install the driving belt (F, Fig. 4) as shown.
  - Turn the knobs fully clockwise.

After installation, check the sweeper operation by testing the rotation direction of the brooms (14).

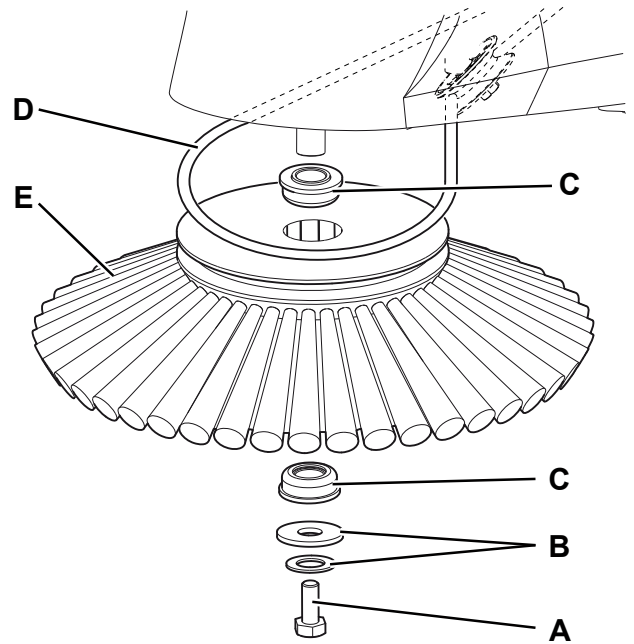


Figure 3

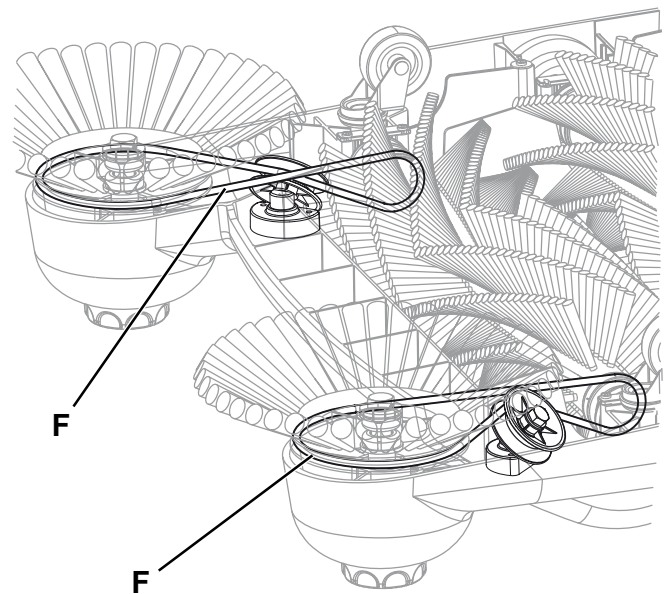


Figure 4

## TROUBLESHOOTING


**WARNING!**

*Except the procedures shown in this Manual, the operator should not try to perform other repair procedures on the machine.*

*Repair and services must be performed by Clarke authorized technicians.*

The following instructions should be useful to solve some machine problems. If the suggested remedies are not effective, it is necessary to contact the Service Center.

Trouble	Possible Cause	Remedy
The machine does not move smoothly.	The side or main brooms are too low.	Adjust the brooms.
	There is a big foreign object caught into the brooms.	Remove the object.
The debris collection is not efficient.	There is a rope or other foreign object caught by the main brooms.	Remove the rope or the object.
	The hopper is full.	Empty the hopper.
	The side or main brooms are too high.	Adjust the brooms.
	The brooms are too worn.	Replace the brooms.
The machine produces excessive dust during operation.	The hopper is full.	Empty the hopper.
	The machine speed is too high.	Reduce the working speed.
The machine leaves dust marks.	Some dust may collect inside the housing behind the brooms.	Remove the dust from the housing.

## SCRAPPING

Have the machine scrapped by a qualified scrapper.

**LEA ESTE LIBRO**

Contiene información importante para el uso correcto y seguro de la máquina. Lea este libro completamente antes de arrancar la máquina o hacer cualquier operación de mantenimiento. Si no siga las instrucciones, corre el peligro de herirse o causar lesiones al personal, o causar daños importantes a la máquina o a su entorno. Antes de usar la máquina, es indispensable seguir una formación. Si Usted (o el operador) no habla español, solicite (o proporciónese) todas las informaciones necesarias. El libro está traducido en otros idiomas. Todas las indicaciones de dirección dadas en este libro están dadas desde la posición del operador en la parte de atrás de la máquina. Puede Ud. conseguir libros suplementarios dirigiéndose a su distribuidor Clarke.

**ÍNDICE**

**INTRODUCCIÓN..... 10**  
 CONSERVACIÓN DEL MANUAL .....10  
 DATOS DE IDENTIFICACIÓN .....10  
 OTROS MANUALES DE REFERENCIA .....10  
 PIEZAS DE REPUESTO Y MANTENIMIENTO .....10  
 MODIFICACIONES Y MEJORAS .....10

**DESEMBALAJE/ENTREGA..... 10**

**INSTRUCCIONES IMPORTANTES DE SEGURIDAD ..... 10**  
 SÍMBOLOS ..... 11  
 INSTRUCCIONES GENERALES ..... 11

**DESCRIPCIÓN DE LA MÁQUINA..... 11**  
 DATOS TÉCNICOS ..... 11  
 ESTRUCTURA Y MANDOS DE LA MÁQUINA.....12

**USO..... 12**  
 FUNCIONAMIENTO DE LA BARREDERA.....13  
 VACIADO DEL DEPÓSITO DE RECOGIDA.....13  
 DESPUÉS DEL USO DE LA MÁQUINA .....13

**MANTENIMIENTO ..... 13**  
 ESQUEMA DE MANTENIMIENTO PROGRAMADO.....13  
 TAREAS DE MANTENIMIENTO DE LA BARREDERA.....13  
 LIMPIEZA DE LA MÁQUINA.....14  
 REGULACIÓN DE LOS CEPILLOS .....14  
 DESMONTAJE/MONTAJE DEL CEPILLO PRINCIPAL.....14  
 DESMONTAJE/MONTAJE DE LOS CEPILLOS LATERALES .....15

**BÚSQUEDA AVERÍAS ..... 16**

**DESGUACE ..... 16**

**PARTS LIST ..... 25**

## INTRODUCCIÓN



**NOTA**

Los números entre paréntesis se refieren a los componentes ilustrados en el capítulo Descripción de la máquina.

El objetivo del presente manual es ofrecer al usuario toda la información que necesita para obtener el máximo provecho de la Clarke SW 26.

Leerlo por completo antes de comenzar a usar la máquina.

El producto descrito está destinado exclusivamente al uso comercial.

### CONSERVACIÓN DEL MANUAL

Este Libro de instrucciones debe conservarse junto a la máquina, dentro de su contenedor, lejos de líquidos y otras sustancias que pudieran dañarlo.

### DATOS DE IDENTIFICACIÓN

El número de serie y el modelo de la máquina aparecen en la placa de identificación.

El año de fabricación de la máquina está indicado por las dos primeras cifras del número de serie de la máquina misma.

Esta información es necesaria cuando se pidan piezas de repuesto para la máquina. Usar el espacio siguiente para escribir los datos de identificación de la máquina.

Modelo MÁQUINA .....
Número de serie MÁQUINA .....

### OTROS MANUALES DE REFERENCIA

– Catálogo piezas de repuestos (en dotación a la máquina)

### PIEZAS DE REPUESTO Y MANTENIMIENTO

Cualquier reparación deberá realizarse en los centros de asistencia autorizados por Clarke, los cuales cuentan con personal cualificado y disponen de las piezas y accesorios de repuesto originales. Si necesita alguna reparación o asistencia técnica, no dude en contactar con el proveedor de Clarke, especificando el modelo y el número de serie de la máquina.

### MODIFICACIONES Y MEJORAS

Clarke está constantemente mejorando sus productos y se reserva el derecho de realizar modificaciones y mejoras a su discreción, sin verse obligada a aplicar dichas ventajas a las máquinas vendidas previamente.

Sólo Clarke puede aprobar y efectuar cualquier modificación y/o instalación de accesorios.

### DESEMBALAJE/ENTREGA

A la entrega de la máquina, controlar cuidadosamente la caja de embalaje y la máquina para ver si está dañada. Si está dañada, guardar la caja para que pueda ser inspeccionada. Para presentar una reclamación por los daños ocurridos durante el transporte, es necesario dirigirse inmediatamente al proveedor de Clarke.

Sacar la barredera del embalaje, aflojar las empuñaduras (2) y abrir el manillar (1). Apretar las empuñaduras para fijar el manillar.

### INSTRUCCIONES IMPORTANTES DE SEGURIDAD

Esta máquina es apta exclusivamente para uso comercial; por ejemplo, en hoteles, escuelas, fábricas, comercios y oficinas, es decir, para aplicaciones distintas al uso doméstico normal.

Lea todas las instrucciones antes de utilizarla.

## SÍMBOLOS



**¡PELIGRO!**

*Indica un peligro con riesgo, incluso mortal, para el operador.*



**¡ATENCIÓN!**

*Indica el riesgo potencial de infortunios para las personas.*



**¡ADVERTENCIA!**

*Indica una advertencia o una nota sobre una función importante o útil. Tener cuidado de las partes del texto marcadas con este símbolo.*



**NOTA**

*Indica una nota sobre una función importante o útil.*



**CONSULTAS**

*Indica la necesidad de consultar el Libro de instrucciones antes de efectuar cualquier operación.*

## INSTRUCCIONES GENERALES

Se describen aquí las advertencias y precauciones específicas por lo que se refiere a los potenciales riesgos de daños a la máquina o a las personas.



**¡ATENCIÓN!**

*Para reducir al mínimo el riesgo de incendios o lesiones personales:*

- *Esta barredera no es adecuada para recoger polvos peligrosos.*
- *No recoger materiales tóxicos, cancerígenos, combustibles ni ningún otro material peligroso, como amianto, arsénico, bario, plomo, pesticidas y demás sustancias nocivas para la salud.*
- *No recoger colillas encendidas ni otros materiales fumógenos, cenizas, fósforos o similares.*
- *Para retirar vidrio, metales u otros materiales afilados del depósito de recogida, póngase guantes gruesos con el fin de evitar lesiones personales.*
- *Vaciar el depósito de recogida después de cada utilización.*
- *Esta barredera de tracción no es apta para recoger líquidos.*
- *La máquina sólo se puede usar en seco y no se debe usar o tener al exterior en condiciones de humedad.*
- *No usar la barredera en superficies inclinadas.*
- *No permitir que se utilice como si fuera un juguete. Tener mucho cuidado cuando se utiliza cerca de niños.*
- *Usar sólo los cepillos suministrados junto a la máquina o aquellos indicados en el Libro de instrucciones. Usar otros cepillos puede perjudicar la seguridad.*
- *Antes de utilizar la barredera, es necesario colocar los portillos y las tapas como se indica en el Libro de instrucciones.*
- *Durante el funcionamiento de la barredera pueden penetrar cuerpos extraños en los ojos del operario. Por ello se deben llevar gafas protectoras adecuadas mientras la utiliza.*
- *Mantenerse atento. Controlar lo que hace y utilice el sentido común. No utilizar la barredera si se siente cansado, distraído o está bajo los efectos de estupefacientes, alcohol o fármacos, ya que podría perder el control.*

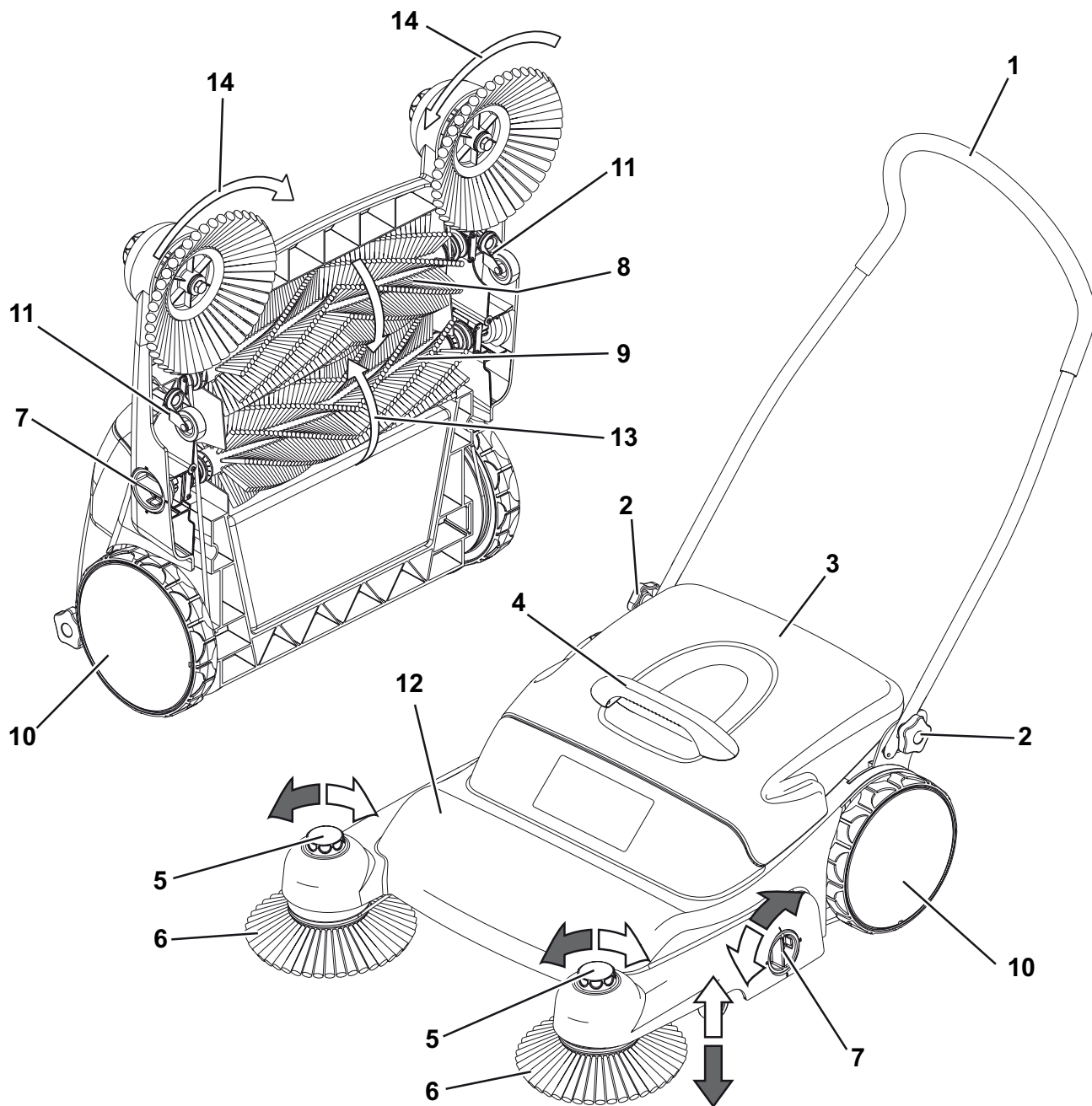
## DESCRIPCIÓN DE LA MÁQUINA

### DATOS TÉCNICOS

Generales	Valores
Anchura de barrido con cepillo lateral	32,3 in (820 mm)
Anchura de trabajo con los cepillos de rodillo principales	17,7 in (450 mm)
Dimensiones de la máquina con manillar plegado hacia adelante (longitud x anchura x altura)	35 x 32,3 x 13,6 in (890 x 820 x 345 mm)
Dimensiones de la máquina con manillar en posición de trabajo (longitud x anchura x altura)	51,2 x 32,3 x 40,5 in (1.300 x 820 x 1.030 mm)
Dimensiones del cepillo principal (diámetro x largura)	5,9 x 17,7 in (150 x 450 mm)
Diámetro del cepillo lateral	10,2 in (260 mm)
Capacidad del depósito de recogida	9 USgal (teórico) 5 USgal (real) [34 L (teórico) - 19 L (real)]
Peso total de la máquina	35,3 lb (16 kg)

## ESTRUCTURA Y MANDOS DE LA MÁQUINA

- |   |   |
|---|---|
| 1. Manillar ajustable                                       | 8. Cepillo central delantero fijo                 |
| 2. Empuñadura para el ajuste de la inclinación del manillar | 9. Cepillo central trasero regulable              |
| 3. Depósito de recogida                                     | 10. Rueda trasera                                 |
| 4. Empuñadura del depósito de recogida                      | 11. Rueda delantera giratoria                     |
| 5. Pomo de ajuste de la altura de los cepillos laterales    | 12. Bastidor de la barredera                      |
| 6. Cepillo lateral  | 13. Sentido de rotación de los cepillos centrales |
| 7. Asa para regular la altura del cepillo central           | 14. Sentido de rotación de los cepillos laterales |



## USO

La barredora ha sido concebida para limpiar únicamente superficies planas y pavimentadas. El fabricante no ofrece garantía alguna por los daños debidos a un uso distinto al indicado.

Tampoco nos responsabilizamos en caso de realizarse modificaciones no autorizadas en la máquina.



### ¡ATENCIÓN!

**La barredora no es apta para recoger sustancias y materiales inflamables, explosivos, venenosos, cancerígenos o nocivos para la salud.**

## FUNCIONAMIENTO DE LA BARREDERA

- Si es necesario, ajustar el manillar (1) en una de las 3 posiciones según su comodidad, con ayuda de las asas (2).
- Colocar las manos sobre el manillar y empuje la barredera hacia adelante, procediendo a paso normal. La barredera no funciona si se arrastra hacia atrás.



### ¡ADVERTENCIA!

**Cuando se debe trabajar sobre una superficie mojada, utilizar la barredera sólo durante intervalos muy breves.**

- Al final del trabajo y cada vez que se llene el depósito de recogida (3), deberá proceder a vaciarlo.



### NOTA

**Cuando se llene el depósito de recogida, la máquina no podrá más recoger polvo y residuos.**

## VACIADO DEL DEPÓSITO DE RECOGIDA

- Levantar el depósito de recogida con la empuñadura (4) de la parte delantera y vaciar su contenido en un contenedor apropiado.
- Volver a colocar el depósito de recogida en la barredera insertando el margen inferior del depósito en el bastidor (12) de la barredera.  
Ejercer una presión mínima hacia la parte inferior hasta que el depósito de recogida se sitúe en la posición correcta.
- Se aconseja vaciar el depósito de recogida después de cada utilización o cuando sea necesario.

## DESPUÉS DEL USO DE LA MÁQUINA

Al final del trabajo y antes de abandonar la máquina, vaciar el depósito de recogida (4) e inspeccionar los cepillos centrales (8 y 9) para quitar cualquier resto (cordones, alambres, cintas o materiales similares) que pueda comprometer el correcto funcionamiento.

Para guardar la máquina sin que ocupe demasiado espacio, cerrar el manillar (1).

- Aflojar las empuñaduras (2) y tirar del manillar hacia arriba.
- Volcar el manillar hacia adelante y bloquearlo.

Para proteger las cerdas de los cepillos, colocar la barredera en posición vertical.

## MANTENIMIENTO



### ¡ADVERTENCIA!

**Efectuar únicamente las tareas de mantenimiento descritas en el presente manual.**

**Para cualquier otro trabajo, contactar al centro de asistencia.**

**Usar únicamente recambios y accesorios originales de Clarke.**

Un mantenimiento cuidadoso y continuo garantiza la vida útil y la seguridad de funcionamiento de la máquina.

## ESQUEMA DE MANTENIMIENTO PROGRAMADO

Procedimiento	Al terminar el trabajo	Una vez al mes	En caso necesario
Colocar la barredera en posición vertical			
Vaciar el depósito de recogida (3)			
Limpiar los cepillos centrales (8 y 9) y laterales (6)			
Limpiar la máquina			
Sustituir el cepillo central (9) gastado			
Sustituir los cepillos laterales (6) gastados			
Sustituir las correas de transmisión			(*)

(\*) Acuda de inmediato a un centro de asistencia autorizado o a un distribuidor de confianza.

## TAREAS DE MANTENIMIENTO DE LA BARREDERA

Después de cada utilización, seguir estos pasos:

- Vaciar el depósito de recogida (3).
- Comprobar que ningún tipo de material permanece adherido a los cepillos o a las ruedas. En caso de encontrar algún cuerpo extraño, retirarlo inmediatamente.
- Limpiar los cepillos, eliminar los cordones, alambres, cintas o materiales similares. De esta forma, la máquina conservará toda su eficacia y evitará daños por el bloqueo de la tracción.
- Controlar periódicamente los cepillos principal y laterales para asegurarse de que no estén gastados; ajustar sus alturas o sustituirlas cuando la capacidad de barrido está reducida.

## LIMPIEZA DE LA MÁQUINA

Limpiar habitualmente la máquina con un paño húmedo.



**¡ADVERTENCIA!**  
**No limpiar la máquina con chorros de alta presión.**

Todos los cojinetes están protegidos del polvo y no necesitan lubricantes ni mantenimiento.

## REGULACIÓN DE LOS CEPILLOS

Ajustar la altura de los cepillos cuando las celdas estén gastadas o cuando su funcionamiento resulte poco eficaz.

1. Ajustar la altura del cepillo central (9) con ayuda de las dos empuñaduras (7). Al girarlas, cada aumento en los números marcados corresponde a un descenso del cepillo.  
Comprobar que las dos empuñaduras (7) están en el mismo número marcado. En caso contrario habría una diferencia de presión longitudinal en el cepillo.
2. Ajustar la altura de los cepillos laterales (6) con ayuda de las pomos (5). Al girarlos en sentido contrario a las agujas del reloj, cada aumento corresponde a un descenso de los cepillos.

Tras haber ajustado, comenzar a empujar la máquina; controlar que no ofrezca dificultades ni resistencia en su avance. En caso contrario, repetir la operación de regulación de los cepillos.

En caso de que los cepillos estén excesivamente gastados, proceda a su sustitución.

## DESMONTAJE/MONTAJE DEL CEPILLO PRINCIPAL



**¡ADVERTENCIA!**  
**Durante la sustitución de los cepillos se aconseja usar guantes, ya que podría haber residuos cortantes encastrados en las cerdas.**



**NOTA**  
**Solo el cepillo trasero entra en contacto con el pavimento y está sujeto a desgaste.**

### Desmontaje

1. Colocar la barredera en una superficie plana adecuada, con el fondo hacia arriba.
2. Aflojar los tornillos (A, Fig. 1) y quitar los soportes (B) con los cepillos centrales (C). Prestar atención a la correa motriz (D) del cepillo central delantero.
3. Quitar la correa motriz (E, Fig. 2) de su alojamiento en el cepillo central (F).
4. Quitar el cepillo central (F) y recuperar los tornillos, los soportes y los cojinetes (G) para el posterior montaje.

### Montaje

5. Montar el cepillo central en orden contrario al desmontaje, teniendo cuidado de lo que sigue:
  - Instalar el cepillo central con las cerdas orientadas como se indica (H, Fig. 1).
  - Instalar y posicionar la correa corta de transmisión cruzándola como se indica (I, Fig. 2).
  - Prestar atención al correcto posicionamiento de la correa larga de transmisión (D, Fig. 1).
  - Girar las 2 empuñaduras (7) hasta la posición 1.

Una vez concluida la instalación, controlar el funcionamiento de la barredera, comprobando que los cepillos (13) giran en sentido correcto.

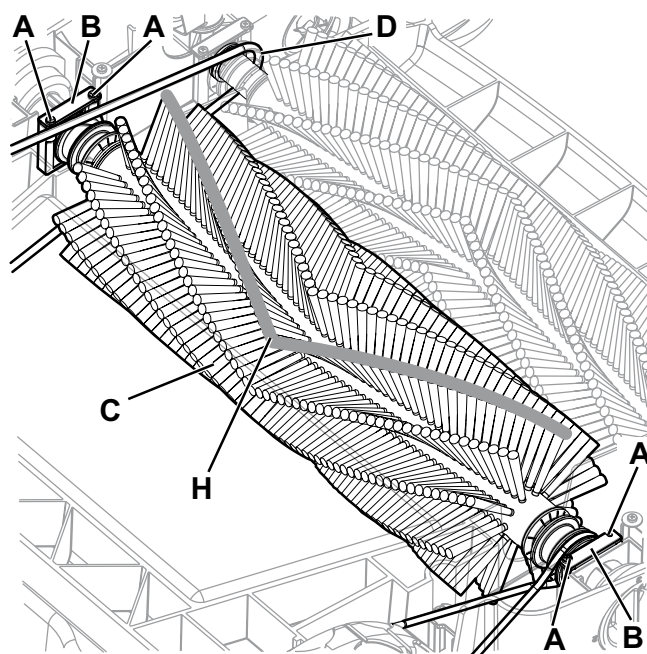


Figura 1

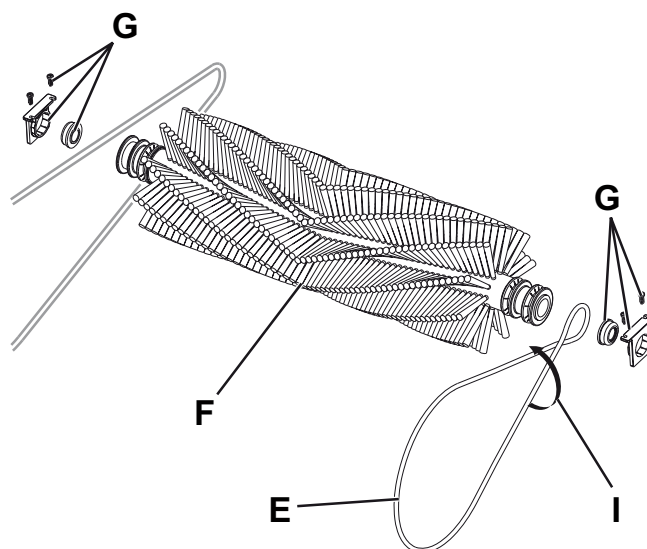


Figura 2

## DESMONTAJE/MONTAJE DE LOS CEPILLOS LATERALES



**¡ADVERTENCIA!**  
*Durante la sustitución de los cepillos se aconseja usar guantes, ya que podría haber residuos cortantes encastrados en las cerdas.*

### Desmontaje

1. Colocar la barredera en una superficie plana adecuada, con el fondo hacia arriba.
2. Desenroscar los tornillos (A, Fig. 3) y recuperar las arandelas (B) y los cojinetes (C) para el posterior montaje.
3. Quitar la correa de transmisión (D) y retirar el cepillo lateral (E).
4. Sustituir el cepillo lateral.

### Montaje

5. Montar el cepillo lateral en orden contrario al desmontaje, teniendo cuidado de lo que sigue:
  - Instalar la correa de transmisión (F, Fig. 4) como se indica en la figura.
  - Girar los pomos en el sentido de las agujas del reloj hasta llegar al tope.

Una vez concluida la instalación, controlar el funcionamiento de la barredera, comprobando que los cepillos (14) giran en sentido correcto.

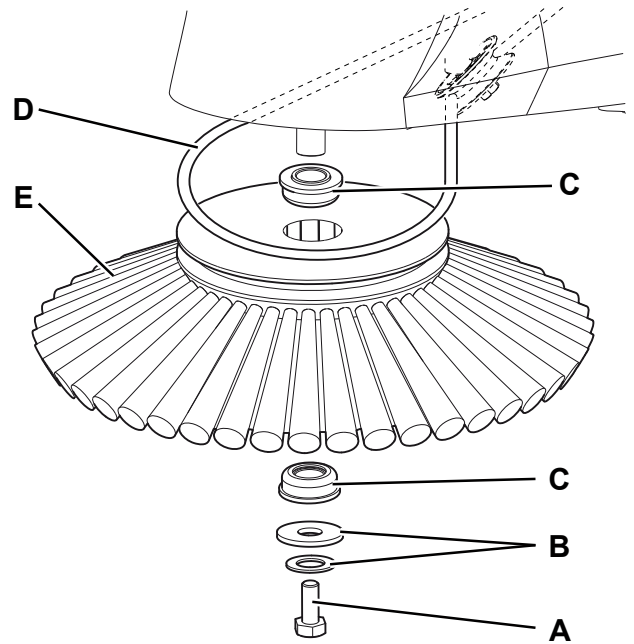


Figura 3

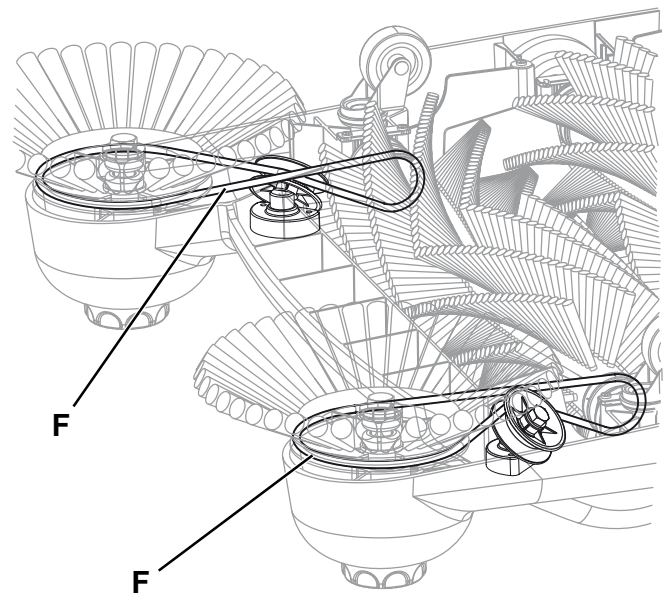


Figura 4

## BÚSQUEDA AVERÍAS



**¡ATENCIÓN!**

*Exceptuando los ajustes explicados en el presente manual, el usuario no debe intentar jamás efectuar por su cuenta las reparaciones.*

*Las tareas de reparación y de asistencia al cliente las efectuará siempre un técnico autorizado de Clarke.*

Las siguientes indicaciones ayudan a localizar las averías y repararlas. Si no fuese posible subsanar el error, deberá ponerse en contacto con el centro de asistencia.

Problema	Probable causa	Remedio
Dificultad al empujar la barredera.	El cepillo central y los laterales se han regulado a una altura demasiado baja.	Ajustar los cepillos.
	Un objeto de grandes dimensiones se ha quedado enganchado.	Retirar el objeto.
Recogida poco eficaz.	Un cordel u otro cuerpo extraño se ha quedado enredado o enganchado en los cepillos principales.	Quitar el cordel u objeto.
	El depósito de recogida está lleno.	Vaciar el depósito de recogida.
	El cepillo central o los laterales se han regulado a demasiada altura.	Ajustar los cepillos.
	Los cepillos están demasiado gastados.	Sustituir los cepillos.
Excesiva acumulación de polvo durante el funcionamiento.	El depósito de recogida está lleno.	Vaciar el depósito de recogida.
	La velocidad de barrido es muy elevada.	Reducir la velocidad de trabajo.
La barredera deja rastros de polvo.	Determinadas clases de polvo se acumulan en el alojamiento situado en la parte trasera de los cepillos.	Quitar cualquier polvo que se acumule en el alojamiento principal.

## DESGUACE

Para desechar la máquina, dirigirse a un centro de recogida autorizado.

**LISEZ CE MANUEL**

Il contient des informations importantes pour une utilisation correcte de la machine, en toute sécurité. Lisez-le complètement avant de mettre la machine en marche ou d'effectuer un entretien. A défaut, vous risqueriez de vous blesser ou de blesser d'autres membres du personnel, d'endommager sérieusement la machine ou de provoquer des dégâts dans son environnement. Avant de se servir de la machine, il est indispensable d'avoir reçu une formation. Si vous-même (ou le conducteur) ne parlez pas français, veuillez demander (ou lui fournir) toutes les explications nécessaires. Des versions du manuel existent en d'autres langues. Toutes les indications de direction figurant dans ce manuel sont visualisées depuis la position du conducteur, à l'arrière de la machine. Des manuels supplémentaires peuvent être obtenus auprès de votre revendeur Clarke.

**TABLE DES MATIERES**

<b>INTRODUCTION .....</b>	<b>10</b>
CONSERVATION DU MANUEL.....	10
DONNEES D'IDENTIFICATION .....	10
AUTRES MANUELS DE REFERENCE.....	10
PIECES DE RECHANGE ET ENTRETIEN .....	10
MODIFICATIONS ET AMELIORATIONS.....	10
<b>DEBALLAGE / LIVRAISON.....</b>	<b>10</b>
<b>INSTRUCTIONS DE SECURITE IMPORTANTES .....</b>	<b>10</b>
SYMBOLES UTILISES .....	11
INSTRUCTIONS GENERALES.....	11
<b>DESCRIPTION DE LA MACHINE .....</b>	<b>11</b>
CARACTERISTIQUES TECHNIQUES.....	11
STRUCTURE ET COMMANDES DE LA MACHINE.....	12
<b>UTILISATION .....</b>	<b>12</b>
FONCTIONNEMENT DE LA BALAYEUSE.....	13
VIDANGE DU RESERVOIR .....	13
APRES L'UTILISATION DE LA MACHINE .....	13
<b>ENTRETIEN .....</b>	<b>13</b>
PLAN D'ENTRETIEN PROGRAMME.....	13
OPERATIONS D'ENTRETIEN BALAYEUSE.....	13
NETTOYAGE DE LA MACHINE .....	14
REGLAGE DES BALAIS .....	14
DEPOSE / REPOSE DU BALAI CENTRAL.....	14
DEPOSE / REPOSE DES BALAIS LATERAUX.....	15
<b>DEPISTAGE DES PANNES.....</b>	<b>16</b>
<b>MISE A LA FERRAILLE.....</b>	<b>16</b>
<b>PARTS LIST .....</b>	<b>25</b>

## INTRODUCTION



### REMARQUE

Les nombres entre parenthèses se rapportent aux composants indiqués au chapitre Description de la machine.

Ce Manuel se propose de fournir à l'utilisateur toutes les informations afin de garantir les meilleures performances de la balayeuse Clarke SW 26.

Avant d'utiliser la machine, lire complètement et attentivement les instructions suivantes.

Le produit décrit est destiné exclusivement à un usage commercial.

## CONSERVATION DU MANUEL

Le Manuel d'utilisation doit être gardé près de la machine, dans une enveloppe spéciale et, surtout, loin de liquides et de tout ce qui pourrait en compromettre l'état de lisibilité.

## DONNEES D'IDENTIFICATION

Le numéro de série et le modèle de la machine sont indiqués sur la plaques de la machine.

L'année de fabrication de la machine est indiquée par les deux premiers chiffres du numéro de série de la machine.

Ces informations sont nécessaires lors de la commande des pièces de rechange de la machine. Utiliser l'espace suivant pour y noter les données d'identification de la machine.

Modèle de la MACHINE .....
----------------------------

Numéro de série de la MACHINE .....
-------------------------------------

## AUTRES MANUELS DE REFERENCE

– Catalogue de pièces de rechange (livré avec la machine)

## PIECES DE RECHANGE ET ENTRETIEN

Les éventuelles réparations doivent être effectuées auprès des Services après-vente agréés Clarke, qui disposent du personnel qualifié, des accessoires et des pièces de rechange d'origine. Pour les éventuelles réparations ou l'assistance technique, contacter le fournisseur Clarke, en spécifiant le modèle et le numéro de série de la machine.

## MODIFICATIONS ET AMELIORATIONS

Clarke vise à un constant perfectionnement de ses produits et se réserve le droit d'effectuer des modifications et des améliorations, lorsqu'elles sont nécessaires, sans l'obligation de modifier les machines précédemment vendues.

Il est entendu que toute modification et / ou addition d'accessoires doit toujours être approuvée et réalisée par Clarke.

## DEBALLAGE / LIVRAISON

Lors de la livraison de la machine, contrôler attentivement que l'emballage et la machine n'ont pas été endommagés pendant le transport. En cas de dommages évidents conserver l'emballage de façon qu'il soit inspecté. Contacter immédiatement le fournisseur Clarke pour remplir une réclamation de dommage de fret.

Extraire la balayeuse de l'emballage, desserrer les pommeaux (2) et ouvrir le guidon (1). Serrer les pommeaux pour fixer le guidon.

## INSTRUCTIONS DE SECURITE IMPORTANTES

Cette machine est adaptée exclusivement à un usage commercial, par exemple dans les hôtels, les écoles, les usines, les magasins et les bureaux, différent donc de l'usage domestique normal.

Lire toutes les instructions avant l'utilisation.

## SYMBOLES UTILISES



### DANGER !

Indique une situation dangereuse exposant l'opérateur au risque de blessures graves, voire mortelles.



### ATTENTION !

Indique une situation exposant les personnes au risque de blessures.



### AVERTISSEMENT !

Indique un avertissement ou une remarque sur des fonctions clé ou utiles.

Prêter la plus grande attention aux segments de texte marqués par ce symbole.



### REMARQUE

Indique une remarque sur des fonctions clé ou utiles.



### CONSULTATION

Indique la nécessité de consulter le Manuel d'utilisation avant d'effectuer toute opération.

## INSTRUCTIONS GENERALES

Les avertissements et précautions spécifiques suivants informent sur les potentiels risques de dommages à la machine ou aux personnes.



### ATTENTION !

Pour réduire au minimum le risque d'incendie et de blessures :

- Cette balayeuse ne doit pas être utilisée pour ramasser des matériaux dangereux.
- Ne pas ramasser de matériaux toxiques, cancérigènes, inflammables ou dangereux comme l'asbeste, l'arsénique, le baryum, le béryllium, le plomb, les pesticides ou d'autres matériaux nuisibles à la santé.
- Ne pas collecter de mégots des cigarettes allumés ou d'autres matériaux fumigènes, cendre, allumettes ou matériaux similaires.
- Pour éliminer les pièces en verre, les métaux ou les autres matériaux pointus du réservoir, porter des gants épais pour éviter toute blessure.
- Vider le réservoir après toute utilisation.
- Cette balayeuse par poussée n'est pas destinée à aspirer de liquides.
- Elle a été conçue pour l'utilisation à sec, par conséquent elle ne doit pas être utilisée ou gardée dehors, dans des conditions d'humidité.
- Ne pas utiliser la balayeuse sur des plans inclinés.
- Ne pas laisser qu'elle soit utilisée comme jouet. Faire attention lorsque la machine est utilisée à proximité des enfants.
- Utilisez exclusivement les balais livrés avec la machine et spécifiés dans le Manuel d'utilisation. L'utilisation de balais différents peut compromettre la sécurité.
- Avant d'utiliser la balayeuse, positionner les portillons et les couvercles comme indiqué dans les Manuel d'utilisation.
- Pendant le fonctionnement de la balayeuse, des corps étrangers pourraient pénétrer dans les yeux de l'opérateur. Pourtant, porter toujours des lunettes de protection pendant l'utilisation de la balayeuse.
- Etre vigilant. Contrôler toujours les opérations qu'on est en train d'accomplir et utiliser le bon sens. Ne pas utiliser la balayeuse si l'on est fatigué, distrait ou sous l'effet de drogues, de l'alcool ou de médicaments, lorsqu'on pourrait compromettre sa propre capacité de contrôle.

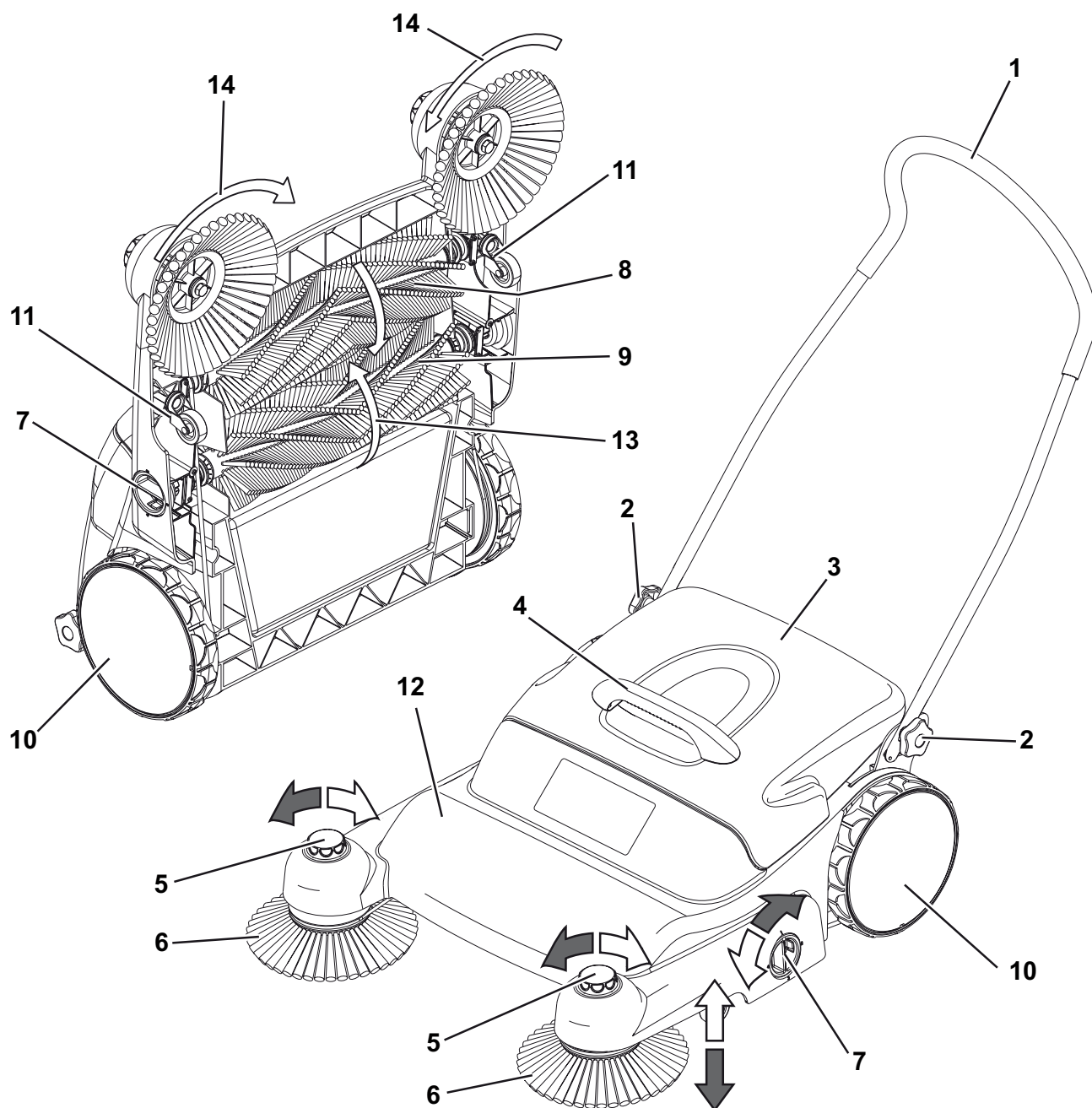
## DESCRIPTION DE LA MACHINE

### CARACTERISTIQUES TECHNIQUES

Caractéristiques générales	Valeurs
Largeur de nettoyage avec balais latéraux	32,3 in (820 mm)
Largeur de travail brosses cylindriques principales	17,7 in (450 mm)
Dimensions machine avec guidon penché en avant (longueur x largeur x hauteur)	35 x 32,3 x 13,6 in (890 x 820 x 345 mm)
Dimensions machine avec guidon en position de travail (longueur x largeur x hauteur)	51,2 x 32,3 x 40,5 in (1.300 x 820 x 1.030 mm)
Dimensions balai central (diamètre x longueur)	5,9 x 17,7 in (150 x 450 mm)
Diamètre balai latéral	10,2 in (260 mm)
Contenance réservoir	9 USgal (théorique) 5 USgal (réel) [34 litres (théorique) - 19 litres (réel)]
Poids total machine	35,3 lb (16 kg)

## STRUCTURE ET COMMANDES DE LA MACHINE

- |  |                                      |
|--|--------------------------------------|
| 1. Guidon réglable                                     | 8. Balai central avant fixe          |
| 2. Poignées de réglage inclinaison guidon              | 9. Balai central arrière réglable    |
| 3. Réservoir   | 10. Roue arrière                     |
| 4. Poignée réservoir                                   | 11. Roue avant tournante             |
| 5. Pommeau de réglage hauteur balais latéraux          | 12. Cadre balayeuse                  |
| 6. Balai latéral                                       | 13. Sens de rotation balais centraux |
| 7. Poignée pour le réglage en hauteur du balai central | 14. Sens de rotation balais latéraux |



## UTILISATION

La balayeuse a été conçue exclusivement pour le nettoyage des surfaces horizontales et pavées. Le constructeur ne répond pas des dommages dus à une utilisation différente de celle spécifiée dans ce Manuel.

Toute modification non autorisée de la machine exclue toute responsabilité pour les dommages subséquents.

**ATTENTION !**

**La balayeuse n'est pas adaptée à ramasser des substances et des matériaux inflammables, explosifs, vénéneux, cancérigènes ou nuisibles à la santé.**

## FONCTIONNEMENT DE LA BALAYEUSE

1. Si besoin est, régler le guidon (1) sur une des 3 positions selon son propre confort au moyen des poignées (2).
2. Poser les mains sur le guidon, pousser la balayeuse en avant et rouler au pas. La balayeuse ne fonctionne pas si elle est tirée en arrière.



### AVERTISSEMENT !

*S'il est nécessaire d'opérer sur des surfaces mouillées, ne pas utiliser la balayeuse longtemps.*

3. Vider le réservoir (3) chaque fois qu'il est plein ainsi qu'à la fin du travail.



### REMARQUE

*Lorsque le réservoir est plein, la machine n'arrive plus à collecter ni de poussière ni de déchets.*

## VIDANGE DU RESERVOIR

1. Soulever le réservoir au moyen de la poignée (4) sur la partie avant et vider le contenu dans un conteneur prévu à cet effet.
2. Remonter le réservoir dans la balayeuse en insérant le bord inférieur du réservoir dans le cadre (12) de la balayeuse. Exercer une légère pression vers le bas jusqu'à ce que le réservoir ne se trouve dans la position correcte.
3. Il est conseillé de vider le réservoir après toute utilisation ou selon le besoin.

## APRES L'UTILISATION DE LA MACHINE

Le travail terminé, avant de laisser la machine, vider le réservoir (4) et contrôler les balais centraux (8 et 9) pour éliminer des parts (lacets, fils de fer, ficelles et matériaux similaires) qui en pourraient compromettre le bon fonctionnement.

Pour stocker la machine avec un encombrement minimum, il est possible de fermer le guidon (1).

- Desserrer les poignées (2) et tirer le guidon vers le haut.
- Pousser le guidon en avant et le bloquer.

Maintenant, pour préserver les poils des balais, positionner la balayeuse verticalement.

## ENTRETIEN



### AVERTISSEMENT !

*Effectuer exclusivement les opérations d'entretien décrites dans ce Manuel.*

*Pour toute autre opération, s'adresser au Service après-vente.*

*Utiliser seulement des pièces de rechange et des accessoires d'origine Clarke.*

La durée de vie de la machine et sa sécurité de fonctionnement sont garanties par un entretien soigné et régulier.

## PLAN D'ENTRETIEN PROGRAMME

Procédure	A la fin du travail	Une fois par mois	Si besoin est
Positionner la balayeuse verticalement			
Vider le réservoir (3)			
Nettoyer les balais centraux (8 et 9) et latéraux (6)			
Nettoyer la machine			
Remplacer le balai central (9) usé			
Remplacer les balais latéraux (6) usés			
Remplacer les courroies de transmission			(*)

(\*) Contacter un Service après-vente ou le Revendeur agréé.

## OPERATIONS D'ENTRETIEN BALAYEUSE

Après toute utilisation, procéder comme suit :

- Vider le réservoir (3).
- Vérifier que les matériaux ne soient pas entraînés dans les poils des balais ou dans les roues. S'ils sont présents, les enlever tout de suite.
- Nettoyer les balais, éliminer les lacets, les fils de fer, les ficelles et les matériaux similaires. De cette façon, on garantit l'efficacité de la machine et on évite tout dommage du au blocage de la traction.
- Contrôler périodiquement si les balais centraux et latéraux sont usés ; régler leur hauteur du sol ou les remplacer lorsque leur puissance de balayage diminue.

## NETTOYAGE DE LA MACHINE

Nettoyer la machine régulièrement avec un chiffon mouillé.



### AVERTISSEMENT !

**Ne pas nettoyer la machine avec un jet à haute pression !**

Tous les roulements sont protégés de la poussière et ne nécessitent pas de lubrification ou d'entretien.

## REGLAGE DES BALAIS

Régler la hauteur des balais lorsque les poils sont usés ou quand leur fonctionnalité est réduite.

1. Régler la hauteur du balai central (9) en agissant sur les deux poignées (7). En les tournant, chaque cran sur les chiffres marquées correspond à un niveau d'abaissement du balai.  
Vérifier que les deux poignées (7) se trouvent sur la même chiffre. Dans le cas contraire, la pression longitudinale du balai ne sera pas uniforme.
2. Régler la hauteur des balais latéraux (6) en agissant sur les pommeaux (5). En les tournant dans le sens contraire aux aiguilles d'une montre, chaque écran correspond à un niveau d'abaissement des balais.

A la fin du réglage, pousser la balayeuse en contrôlant que le déplacement ne présente pas de difficultés ou de résistances.

Dans le cas contraire, répéter l'opération de réglage des balais.

Si les balais sont excessivement usés, les remplacer.

## DEPOSE / REPOSE DU BALAI CENTRAL



### AVERTISSEMENT !

**L'utilisation de gants de travail est conseillée pendant le remplacement des balais à cause de la présence éventuelle de débris tranchants parmi les poils.**



### REMARQUE

**Seulement le balai arrière entre en contact avec le sol et il est sujet à usage.**

### Démontage

1. Positionner la balayeuse sur une surface adaptée, la partie inférieure tournée vers le haut.
2. Dévisser les vis (A, Fig. 1) et extraire les supports (B) avec le balai central (C).  
Prêter attention à la courroie motrice (D) du balai central avant.
3. Extraire la courroie motrice (E, Fig. 2) du logement sur le balai central (F).
4. Enlever le balai central (F), récupérer les vis, les supports et les roulements (G) pour le montage successif.

### Repose

5. Pour la repose du balai central, procéder dans l'ordre inverse de la dépose, en faisant attention aux indications suivantes :
  - Monter le balai central en orientant les poils comme indiqué (H, Fig. 1).
  - Monter et positionner la courroie de transmission courte en la croisant comme indiqué (I, Fig. 2).
  - Vérifier que la courroie de transmission longue soit positionnée correctement (D, Fig. 1).
  - Tourner les 2 poignées (7) sur la position 1.

Le montage terminé, contrôler le fonctionnement de la balayeuse en vérifiant que le sens de rotation des balais (13) soit correct.

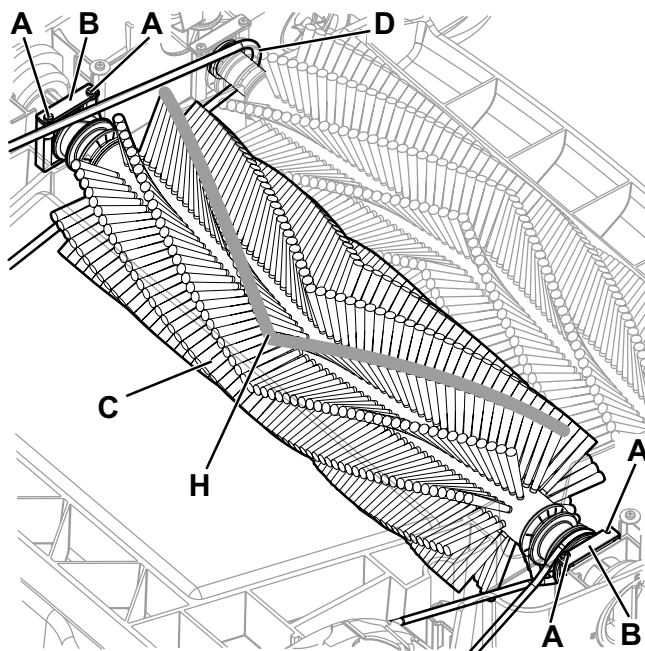


Figure 1

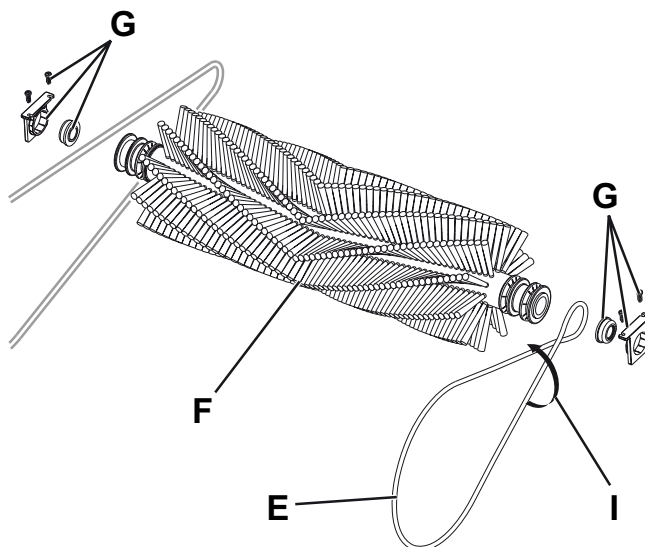


Figure 2

## DEPOSE / REPOSE DES BALAIS LATERAUX



### AVERTISSEMENT !

*L'utilisation de gants de travail est conseillée pendant le remplacement des balais à cause de la présence éventuelle de débris tranchants parmi les poils.*

### Démontage

1. Positionner la balayeuse sur une surface adaptée, la partie inférieure tournée vers le haut.
2. Dévisser la vis (A, Fig. 3), récupérer les rondelles (B) et les roulements (C) pour le montage successif.
3. Enlever la courroie de transmission (D) et le balai latéral (E).
4. Remplacer le balai latéral.

### Repose

5. Pour la repose du balai latéral, procéder dans l'ordre inverse de la dépose, en faisant attention aux indications suivantes :
  - Monter la courroie de transmission (F, Fig. 4) comme indiqué dans la figure.
  - Tourner les pommeaux dans le sens des aiguilles d'une montre jusqu'à fin de course.

Le montage terminé, contrôler le fonctionnement de la balayeuse en vérifiant que le sens de rotation des balais (14) soit correct.

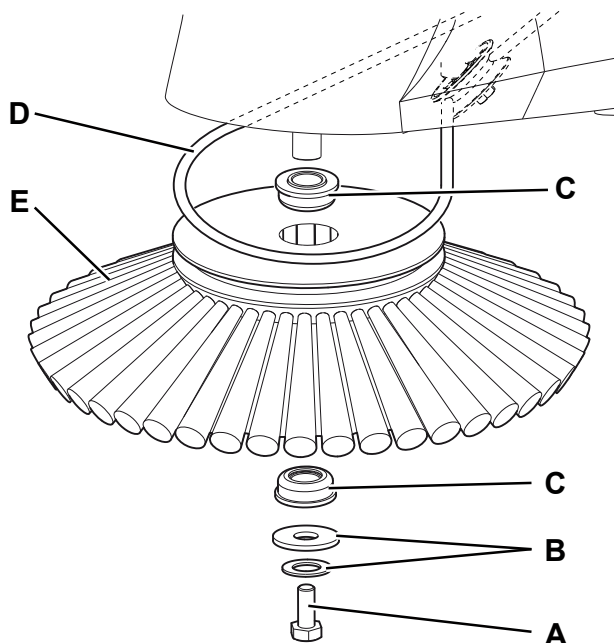


Figure 3

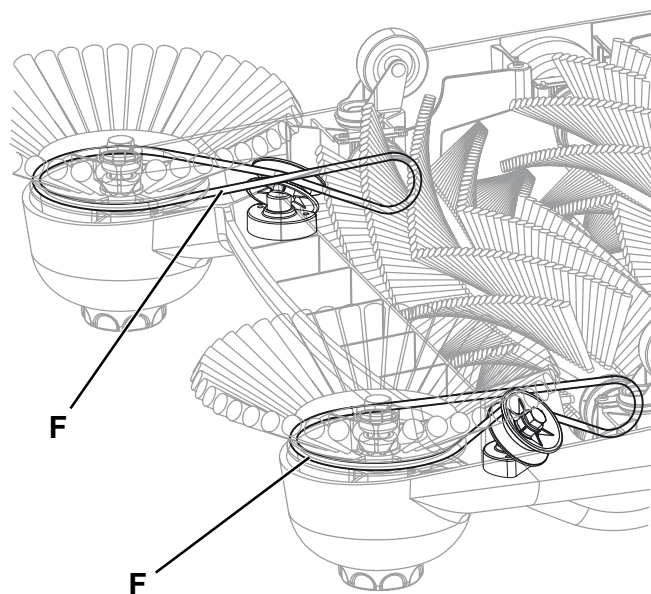


Figure 4

## DEPISTAGE DES PANNES



### ATTENTION !

*Sauf les réglages décrits dans ce Manuel, l'utilisateur ne doit jamais effectuer les réparations tout seul. Les opérations de réparation et d'assistance technique doivent être toujours confiées aux techniciens agréés par Clarke.*

Les indications suivantes aident les opérations de dépiستage des pannes et de leurs remèdes. S'il est impossible de résoudre le problème, contacter le Service après-vente.

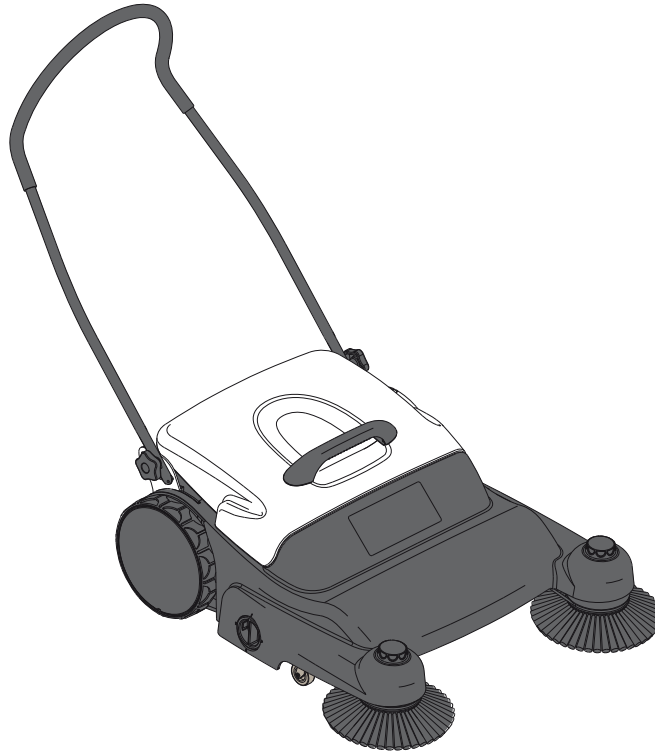
Problème	Cause probable	Remède
Difficultés à pousser la balayeuse.	Le balai central ou les balais latéraux ont été excessivement baissés.	Régler les balais.
	Un objet de grandes dimensions a été capturé.	Enlever l'objet.
Le ramassage est peu efficace.	Une ficelle ou un autre corps étranger a été entraîné ou capturé par les balais principaux.	Enlever la ficelle ou l'objet.
	Le réservoir est plein.	Vider le réservoir.
	Le balai central ou les balais latéraux ont été excessivement soulevés.	Régler les balais.
	Les balais sont excessivement usés.	Remplacer les balais.
Excessive formation de poussière pendant le fonctionnement.	Le réservoir est plein.	Vider le réservoir.
	La vitesse de balayage est trop élevée.	Réduire la vitesse de travail.
La balayeuse laisse des traces de poussière.	Certains types de poussière s'accumulent dans le logement derrière les balais.	Enlever toute accumulation de poussière dans le logement principal.

## MISE A LA FERRAILLE

Effectuer la mise à la ferraille de la machine auprès d'un centre de collecte autorisé.

---

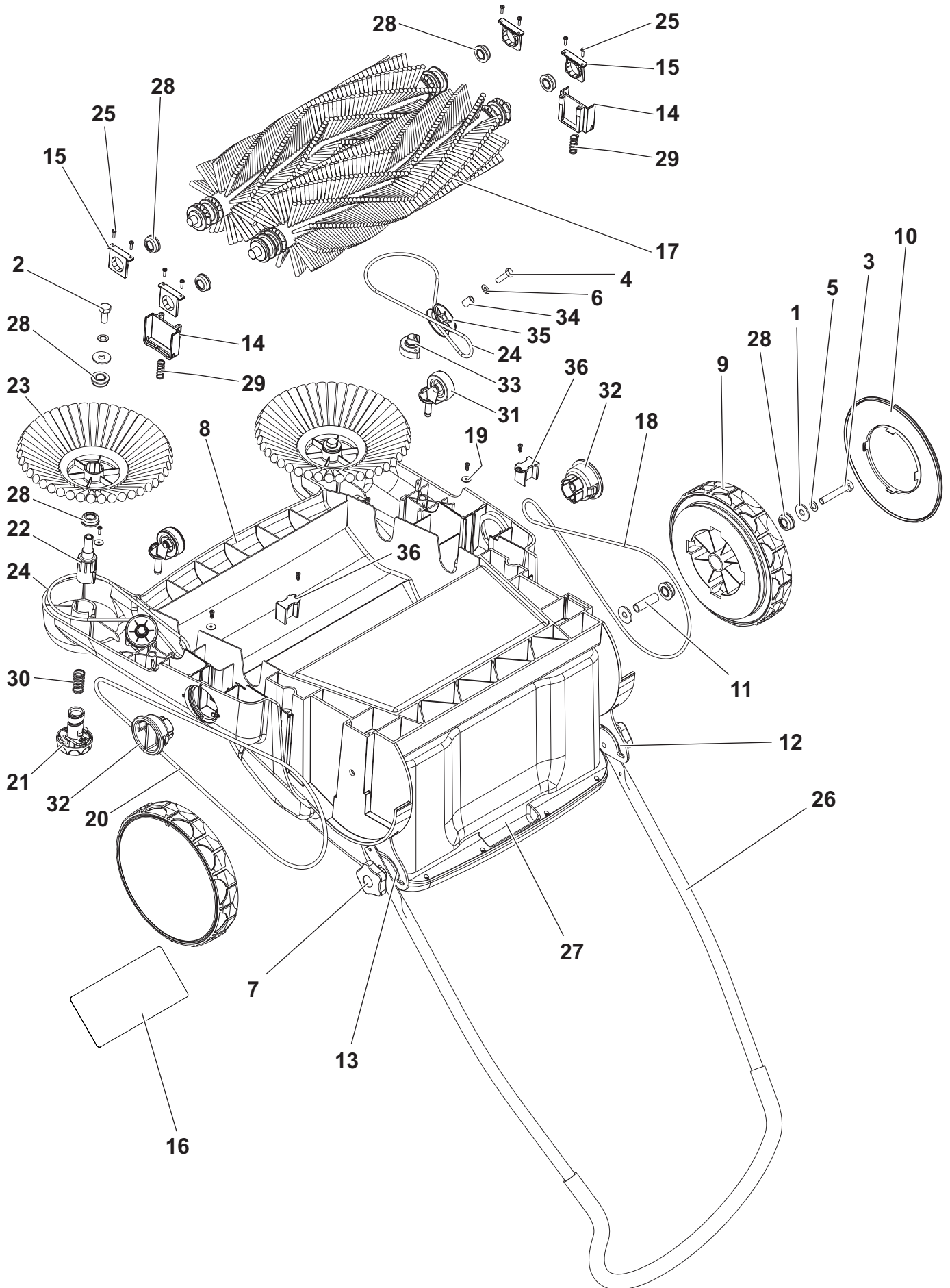
# SW 26



## Parts List

□ = Not shown  
\* = optional  
# = Modified item No. or New item No.  
xxxxx = Contained in a Kit

# CHASSIS SYSTEM



## CHASSIS SYSTEM

Ref.	Part No.	Description	Qty
1		WASHER 10X30 UNI6593	6
2		SCREW M10X20 UNI5739	2
3		SCREW M10X60 UNI5739	2
4		SCREW M8X25 UNI5739	2
5		WASHER M10 UNI8842A	4
6		WASHER M8 UNI6592	2
7	146 1852 000	KNOB M8	2
8	1463601000	FRAME	1
9	1463604000	DRIVING WHEEL	2
10	1463605000	COVER WHEEL	2
11		BUSHING	2
12	1463607000	BRACKET HANDLE SUPPORT LEFT	1
13	1463608000	BRACKET HANDLE SUPPORT RIGHT	1
14	1463611000	MOVABLE SUPPORT	2
15	1463612000	BEARING SUPPORT	4
16	1463654000	DECAL SW 26	1
17	1464319000	CENTRAL BROOM ASSY	2
18	1463615000	BELT TRANSMISSION SHORT PU	1
19		FLAT WASHER ø3.7Xø15X1	4
20	1463617000	BELT TRANSMISSION LONG PU	1
21	1463618000	HANDLE	2
22	1463621000	SUPPORT ADJUSTABLE BROOM	2
23	1463623000	SIDE BROOM	2
24	1463624000	BELT TRANSMISSION SIDE BROOM PU	2
25		SCREW PAN PHIL THD FORM	18
26	1463626000	HANDLE	1
27	1464199000	BLUE HOPPER	1
28	1463633000	BALL BEARING	12
29	1463635000	SPRING METER SPEC C0480-042-1250M	2
30	1463636000	SPRING METER SPEC C0720-055-1500M	2
31	1463637000	CASTOR WHEEL	2
32	1463640000	HANDLE	2
33	1463641000	PULLEY SUPPORT	2
34		BUSHING	2
35	1463643000	PULLEY	2
36	1463644000	BEARING SUPPORT	2
[37]	1464357000	HARDWARE KIT (1,2,3,4,5,6,11,19,25,34)	1

## RECOMMENDED SPARE PARTS

	Part No.	Description	Qty
		<b>WEAR PARTS</b>	2
	1464319000	CENTRAL BROOM ASSY	2
	1463623000	SIDE BROOM	
		<b>ORDINARY MAINTENANCE</b>	1
	1463615000	BELT TRANSMISSION SHORT PU	1
	1463617000	BELT TRANSMISSION LONG PU	2
	1463624000	BELT TRANSMISSION SIDE BROOM PU	12
	1463633000	BALL BEARING	2
	1463637000	CASTOR WHEEL	

**Clarke<sup>®</sup>**

14600 21st Avenue North  
Plymouth, MN 55447-3408  
[www.clarkeus.com](http://www.clarkeus.com)  
Phone: 800-253-0367  
Fax: 800-825-2753  
©2010 Nilfisk-Advance, Inc.

---

A Nilfisk-Advance Brand