



Electronic Service Manuals

This electronic document is provided as a service to our customers. We do not create the contents of the information contained in this document. Should you have detailed questions pertaining to the information contained in this document, you may contact Michco, or the manufacturer which provided the original information in this electronic deliverable. Michco's only part in this electronic deliverable was the electronic assembly process. By providing this manual on line we are not guaranteeing parts availability.

You may contact Michco through the following methods:

Phone (517) 484-9312 or (800) 331-3339

2011 N. High St. -- Lansing, Michigan -- 48906

Fax: (517) 484-9836

Email: CustServe@Michco.com

Web site: www.Michco.Com

Parts Web site: www.FloorMachineParts.Com

Order Parts on Line at:

www.FloorMachineParts.Com

Directly to Parts & Service:

By Email: **Shop@Michco.com**

By Fax: (517) 702-2041

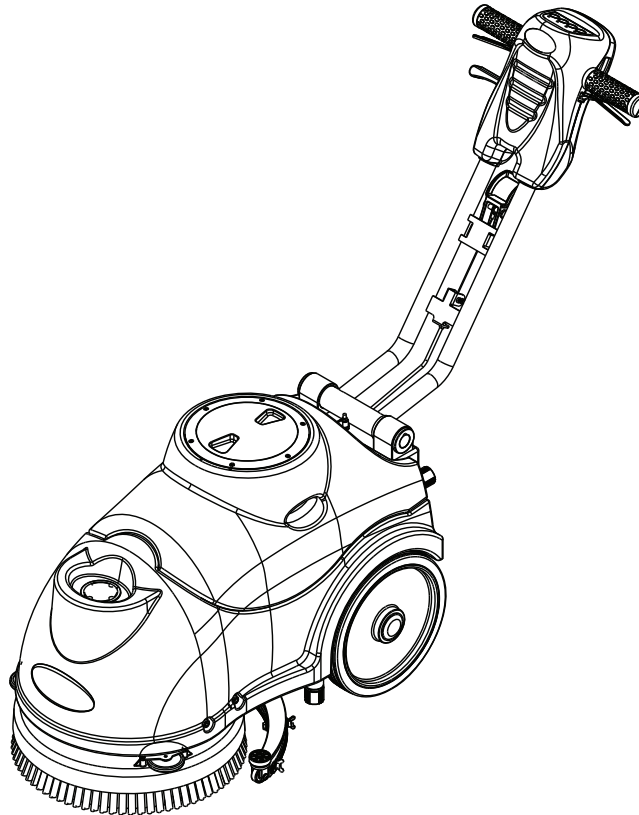
By Voice: Use numbers above.

Serving the Cleaning Industry Since 1922

Notice: All copyrighted material remains property of original owners, all trademarks are property of respective owners. Manuals are subject to Manufacturer's reproduction limitations. Originals or reproductions were provided by manufacturers through a request. We make no warranty as to the correctness of information provided in this document and you assume all risk. By placing these manuals on line we are not declaring our corporation to be an manufacturer authorized dealer or provider, please check our web site for authorized manufacturers we represent.

Clarke®

MA50 15B



Instructions For Use - Original Instructions / Instrucciones de uso / Mode d' emploi
Model: CLARKE380B



READ THIS BOOK
LEA ESTE MANUAL
LISEZ CE MANUEL



EN English (A2 - A10)
ES Español (B2 - B10)
FR Français (C2 - C10)

This book has important information for the use and safe operation of this machine. Failure to read this book prior to operating or attempting any service or maintenance procedure to your Clarke machine could result in injury to you or to other personnel; damage to the machine or to other property could occur as well. You must have training in the operation of this machine before using it. If your operator(s) cannot read this manual, have it explained fully before attempting to operate this machine.

All directions given in this book are as seen from the operator's position at the rear of the machine.

TABLE OF CONTENTS

	Page
Safety Precautions	A-2
Machine Components	A-3
Machine Set Up & Installation	A-4 – A-6
Machine Operation	A-6
After Each Use	A-7
Battery Charging & Maintenance.....	A8 – A-9
Technical Data	A-9
Troubleshooting	A-10
Parts List.....	D-2 – D-17

SAFETY PRECAUTIONS

This machine is intended for commercial use. It is constructed for use in an indoor environment and is not intended for any other use. Use only recommended accessories.

All operators shall read, understand and exercise the following safety precautions:

- 1) Do not operate machine:
 - Unless trained and authorized.
 - Unless you have read and understand operators manual.
 - In flammable or explosive areas.
 - If not in proper operating condition.
 - In outdoor areas.
- 2) Before operating machine:
 - Make sure all safety devices are in place and operate properly.
- 3) When using machine:
 - Go slow on inclines and slippery surfaces
 - Follow all safety guidelines.
 - Be very careful when using the machine in reverse.
 - Report and fix any damage to machine prior to operating it.
- 4) Before leaving or servicing machine:
 - Stop machine on level ground.
 - Turn off machine.
- 5) When servicing machine:
 - Read operators manual thoroughly prior to operating or servicing this machine.
 - Use manufacturer supplied or approved replacement parts.
 - Secure machine with wheel blocks prior to jacking the machine up.
 - Use approved jack or hoist to safely elevate the machine.
 - Disconnect batteries prior to working on machine.
 - Wear gloves when handling batteries or battery cables.
 - Avoid any contact with battery acid.
 - Avoid moving parts. Do not wear loose fitting clothing while servicing machine.

WARNING !

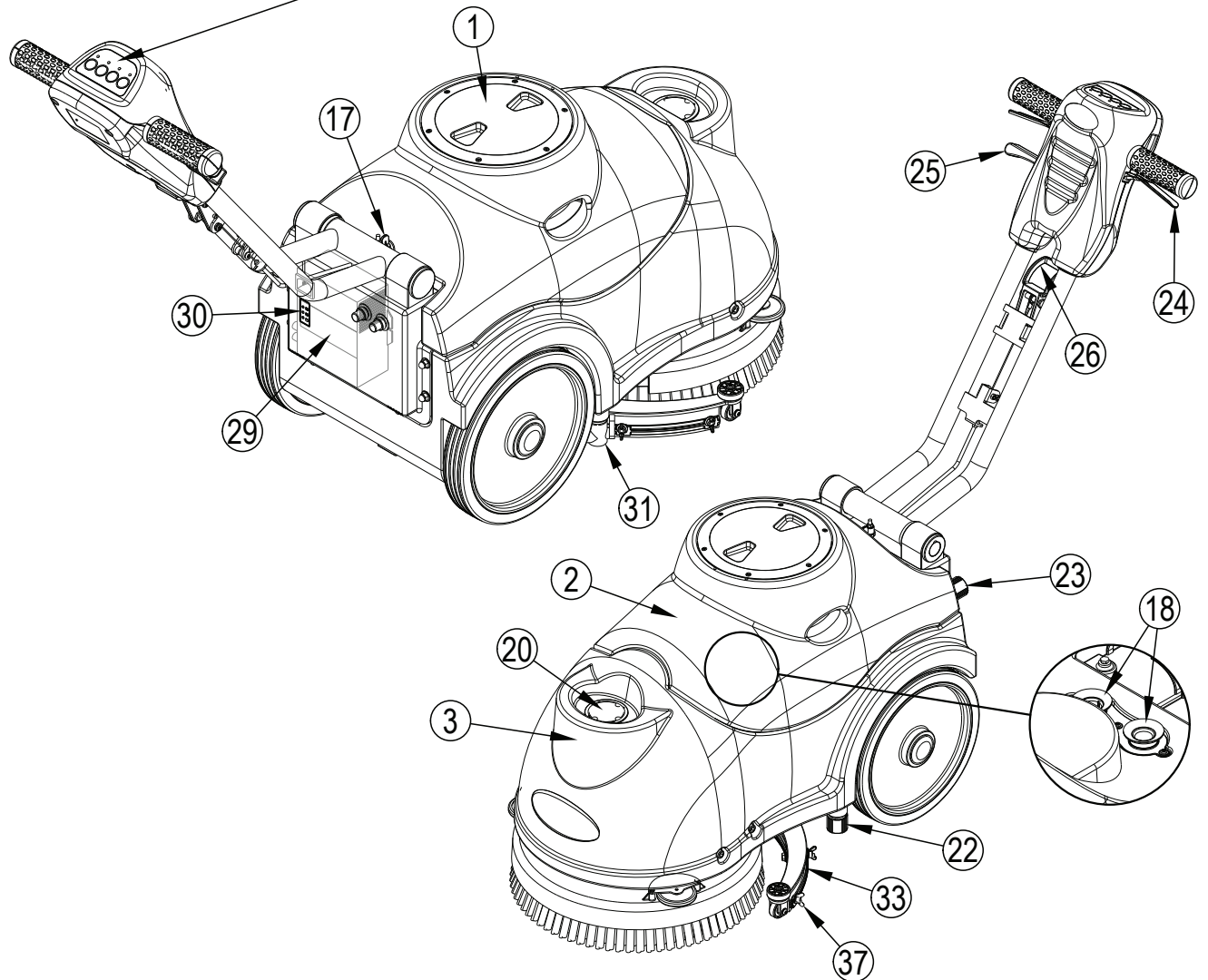
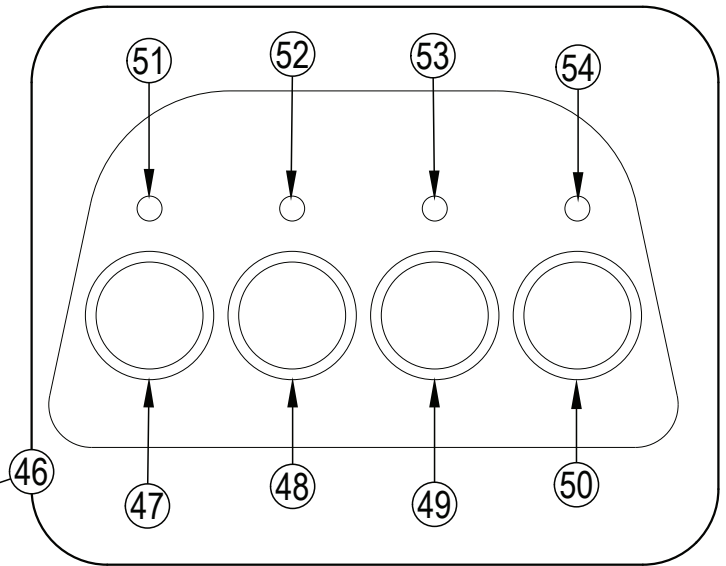
Batteries emit hydrogen gas. Explosion or fire can result from hydrogen gas. Keep sparks and open flames away! Keep battery compartment open when charging.

Flammable materials can cause an explosion or fire. Do not use flammable materials in tanks.

Flammable materials or reactive metals can cause explosion or fire. Do not pick up.

MACHINE COMPONENTS

- 1 Recovery Tank Lid
- 2 Recovery Tank
- 3 Solution Tank
- 17 Recovery Tank Latch
- 18 Vacuum Rubber Connectors
- 20 Solution Inlet
- 22 Solution Tank Drain Cap
- 23 Recovery Tank Drain Cap
- 24 Operating Triggers
- 25 Handle Adjustment Lever
- 26 Squeegee Raise/Lower Handle
- 29 Battery Charger
- 30 Battery Charge Indicators
- 31 Solution Ball Valve
- 33 Squeegee
- 37 Squeegee Blade Thumb Nuts
- 46 Control panel
- 47 Main switch
- 48 Brush motor switch
- 49 Vacuum motor switch
- 50 Solution switch
- 51 Battery indicator
- 52 Brush motor indicator
- 53 Vacuum motor indicator
- 54 Solution indicator



MACHINE SET UP & INSTALLATION

UNCRATING MACHINE

Be sure and check packing carton for any damage. Immediately report any damage to carrier.

Check contents of package to ensure that the following items are included:

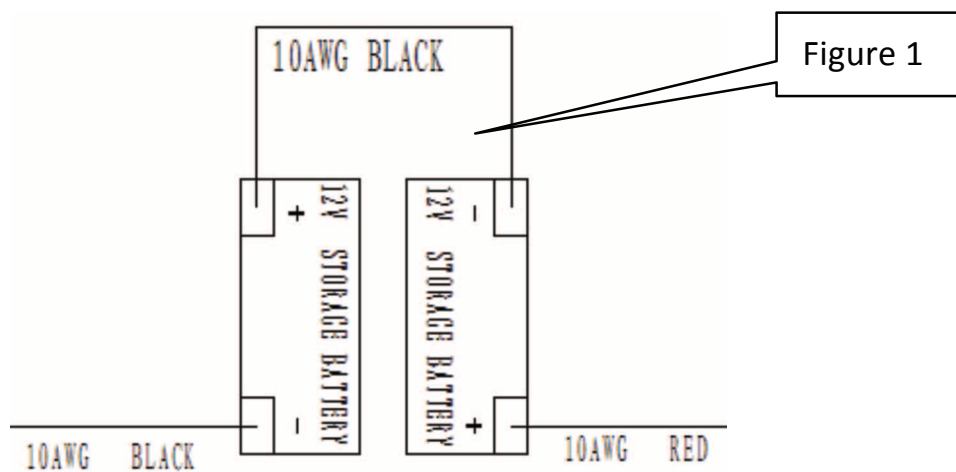
1. Machine
2. Batteries(x2)
3. Squeegee assembly
4. Owner's Manual
5. Electric Battery Charger Manual (if equipped)
6. Connecting wire for battery and charger (if equipped)
7. Brush

BATTERY DISASSEMBLY AND INSTALLATION

1. Switch off the main switch. (47)
2. Remove the recovery tank. (2)
3. Remove the bolt from batteries. (16) Remove or change batteries.
4. Install the batteries on the machine according to the diagram below.
5. Install the recovery tank.

⚠ WARNING !

Do not connect+ to +,or - to-,when disassembly or install the batteries. It is very dangerous.



BATTERY CHARGING

Charge the batteries. (see Maintenance section)

MACHINE SET UP

Pre-operation checks

1. Sweep or dust mop the surface to be cleaned.
2. Check that squeegee is properly installed.
3. Lower the squeegee (33) with the lever. (26)
4. Ensure batteries are fully charged. (see Battery Charging section)
5. Check that brush is properly installed.

BRUSH/PAD DRIVER INSTALLATION AND DISASSEMBLY

NOTE

Only install manually. If automatically installed, it will wear brush hub.

Make sure that the tanks are empty before removing the brush.

1. Turn off the machine.
2. Lay down the machine in the position shown in figure 2. Pull up lift lever (26) to raise the squeegee. (33).
3. Mount the brush or pad driver onto the drive wheel hub and then rotate counterclockwise until it locks, as indicated in figure 3.
4. To remove the brush/pad, rotate the brush/pad clockwise until it is released from drive hub.

⚠ WARNING !

Do not turn on the machine in this position as below. In case of brush/pad come out or cause injury.

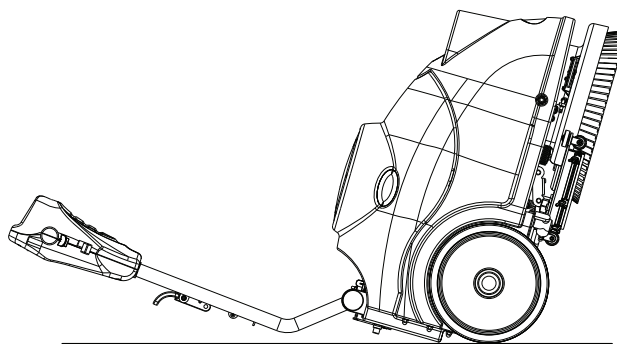


FIGURE 2

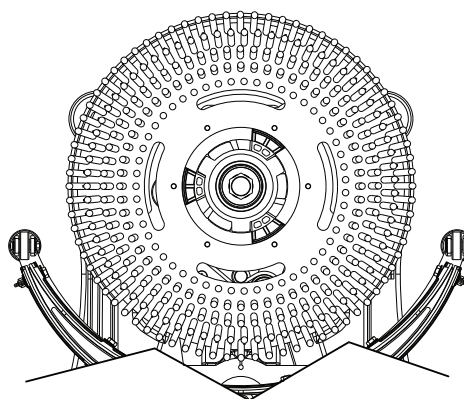
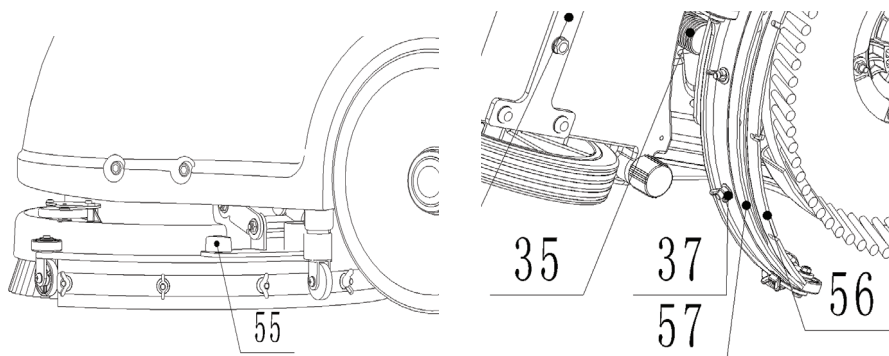


FIGURE 3

SQUEEGEE INSTALLATION

1. Turn off the machine. (47)
2. Pull down the squeegee lift lever (26) to put down the squeegee in the "working" position.
3. Lay down the machine in this position as shown in figure 2.
4. Loosen the two knobs (55) on the squeegee and slide the squeegee into the slots on the squeegee brackets.
5. Tighten the knobs securely. (unscrew the knobs, if to remove)
6. To replace the front/rear squeegee, (56/57) unscrew the thumb knobs (37).



SOLUTION TANK FILLING

NOTE

The machine can be filled with a hose or bucket. Do not remove the Solution filter (21) while filling.

1. Fill water into solution tank (3) from the inlet (20) through hose or bucket.
2. Do not overfill the solution tank. It is best to leave a an inch from the top edge.
3. The water temperature must not exceed 40°C.

CAUTION !

Use only low-foam and non-flammable detergents, intended for automatic scrubber applications.

SOLUTION TANK DRAINING

NOTE

Solution tank should be drained and cleaned after each scrubber operation is completed.

1. Unscrew the drain cap (22) on the bottom of solution tank. The solution/water will flow freely into a bucket or floor drain.
2. Rinse the solution tank with clean water after every use. This will help prevent chemical buildup and clogging of the solution lid.
3. Replace the drain cap. (22)

RECOVERY TANK DRAINING

NOTE

Recovery tank should be drained and cleaned after each scrubber operation is completed.

1. Turn the latch (17) on the recovery tank. Remove the recovery tank from machine by grasping two grooves of tank and pulling up. Open the lid (1) and overturn the recovery tank to drain the dirty water into a container, or unscrew the drain cap (23) to let water drain into a bucket.
2. Clean and Rinse the recovery tank with clean water after every use.
3. Re-place the recovery tank on the machine and turn the latch (17) to lock the tank in place.

MACHINE OPERATION

1. Set the handle to a comfortable height by pressing level. (25)
2. Lower the squeegee (33) onto floor by pulling down the lift handle. (26)
3. Turn on the main power switch. (47)
4. Turn on the brush motor switch (48) and the solution switch. (50)
5. Turn on the vacuum motor switch. (49)
6. If necessary, adjust the water flow by manually turning the ball valve. (31)
7. Pull one or both operating triggers. (24) The brush will spin & solution will begin to flow. Push the machine forward to start cleaning.

NOTE

If the battery indicator light (51) is green, the machine can be used. If it is yellow or red, the batteries must be charged.

CAUTION !

Before lifting the brush, turn off the main power switch. (47)

If the control panel (46) lights flash simultaneously, this indicates the machine is overloaded. Please turn off all the switches on the control panel (46) to reset the machine. If problem persists, contact authorized service provider.

Operating machine with discharged batteries may cause harm to the batteries or to the machine.

AFTER EACH USE

After scrubbing, please proceed with below actions before storing the machine:

1. Remove the brush / pad-holder.
2. Empty the tanks as shown in the previous paragraph.
3. Perform the daily maintenance procedures. (see Maintenance section)
4. Store the machine in a clean and dry place, with the brush / pad-holder and the squeegee up.
5. If storing in an area that may reach freezing temperatures, be sure to drain all fluids from the machine prior to storage. Any damage caused by freezing will void the warranty.

MACHINE STORAGE

If the machine is not going to be used for more than 30-days, please proceed with below actions:

1. Perform the procedures shown in 'After Each Use' section above.
2. Disconnect the battery connector.

MAINTENANCE

The lifespan of the machine and its maximum operating safety are ensured by correct and regular maintenance. The following chart provides the scheduled maintenance. The intervals shown may vary according to individual working conditions.

WARNING !

Maintenance procedures must be performed with the machine switched off and the batteries/battery charger cable disconnected.

Moreover, carefully read the instruction in the Safety chapter.

All maintenance procedures must be performed by qualified personnel, or by an authorized Service Center.

This Manual describes only the most common maintenance procedures.

For additional maintenance procedures, contact your local Service Center.

SCHEDULED MAINTENANCE TABLE

	After each use	Weekly	Every six months	Annually
Battery charging				
Squeegee cleaning				
Brush cleaning				
Clean tank, vacuum screen & check top cover gasket				
Squeegee blade check and replacement				
Inlet filter cleaning				
Screw and nut tightening check			(1)	
Lubricate rotary parts			(1)	
Check brush motor carbon brushes				(2)
Check vacuum motor carbon brushes				(2)

(1) = After the first 8 working hours.

(2) = This maintenance procedure must be performed by an authorized Service Center.

BATTERY CHARGING

NOTE

Charge the batteries when the yellow or red indicator, (51) or at the end of every work cycle.

CAUTION !

Proper battery care will extend battery life

If the machine is not equipped with on-board battery charger, choose an external battery charger suitable for the type of batteries installed.

WARNING !

Please use Clarke approved charger to charge the batteries.

1. Place charger and machine in a well-ventilated area.
2. Turn machine off.(47)
3. Remove the recovery tank,(2) exposing battery compartment.
4. Plug the charging cable to the grounded wall outlet (100v~240v). Connect the charging cable to the machine socket.
5. The charging light (30) indicates the batteries are charging. A green light indicates battery charging is completed.
6. Upon the completion of charging, first unplug the charging cable from the wall outlet and then disconnect from machine.
7. Replace the recovery tank.

NOTE

For further information about the operation of the battery charger, (29) see the charger section.

SQUEEGEE CLEANING

NOTE

For optimal performance, the squeegee blades must be clean, dry and undamaged.

CAUTION !

It is advisable to wear protective gloves when cleaning the squeegee because there may be sharp debris.

SQUEEGEE BLADE CHECK AND REPLACEMENT

1. Take off the squeegee as shown in the previously.
2. Check the edges of the front & rear blades for cracks. If necessary replace with new blades.
3. Unscrew six the thumb nuts (37) to remove the blades.
4. Check the front & rear blades for cuts and tears. If damage is found, you can flip the blades once & re-install. If already flipped, please replace with new blades.
5. Install the squeegee in the reverse order of removal.

BRUSH /PAD DRIVER CLEANING

⚠ CAUTION !

It is advisable to wear protective gloves when cleaning the brush/pad because there may be sharp debris.

1. Remove the brush/pad as shown in "Machine Use" section.
2. Clean and wash the brush/pad with water and detergent.
3. Check the brush bristles for integrity and wear. If necessary, replace the brush.
4. Check the pad for wear. If necessary, replace the pad driver.

RECOVERY TANK MAINTENANCE

⚠ CAUTION !

It is advisable to wear protective gloves when cleaning the tank and vacuum/suction assembly because there may be sharp debris.

1. Move the machine to the appointed draining area.
2. Turn off the main switch.(47)
3. Remove the recovery tank, (2) clean and rinse both solution/recovery tank, and drain out.
4. Remove vacuum gasket & filter. Clean and re-install.
5. Check the recovery tank lid gasket and the vacuum rubber connector (18) for wear. Replace if necessary.

NOTE

The gasket ring of recovery tank and the rubber connector between two tanks create vacuum in the tank. If necessary, replace them.

TECHNICAL DATA

MODEL	MA50 15B
Machine length / width / height	770x500x550MM
Solution tank capacity	15L
Recovery tank capacity	15L
Wheel diameter	254MM
Brush motor	24V/250W
Vacuum motor	24V/250W
Solenoid valve	24V
Maximum gradient when working	2%
Sound level	70dBA
Standard Batteries	Dry: (2× 12V) 24V 33Ah
Batteries size	196 x 130 x 175mm
Power cable length	N / A
Cleaning productivity	750m ² /hour
Squeegee width	490mm
Brush diameter	380mm
Brush rpm	150rpm
Charger	Input 110-224Vac,50-60HZ; Output 24Vdc,5A
Machine net weight	60kg
Machine weight(with charger and package)	65kg
Carton spec	780x415x590MM

TROUBLESHOOTING

Trouble	Possible Cause	Remedy
The machine does not work, indicator light (51) do not turns on	The battery connector is disconnected	Connect
	The batteries are completely discharged	Charge the batteries
	The power line disconnected from the power	Connect
The machine does not work, indicator light (51) display red	The batteries are discharged	Charge the batteries
Brush motor does not work, brush indicator light (52) does not turn on.	The PCB or key board is broken	Change the PCB or key board
Brush motor does not work, brush indicator light (52) flashes	The deck motor is overloaded	Use less aggressive brushes suitable for the floor to be cleaned
	Obstruction preventing the brush from rotating	Clean the brush hub
Vacuum system motor does not work, vacuum motor indicator light (53) does not turn on	The PCB or key board is broken	Change the PCB or key board
Vacuum system motor does not work, brush indicator lights (53) flash	The vacuum motor is overloaded	Check the vacuum motor
Insufficient vacuuming / water pickup	The recovery tank is full	Empty the recovery tank.
	The hose is disconnected from the squeegee	Re-connect
	Vacuum assembly is clogged	Clean or check
	The squeegee is dirty, or the squeegee blades are worn or damaged	Clean and check the squeegee
	The recovery tank do not latched closed	Lock the latch (17)
	The tank cover is not properly closed, or the gasket is damaged	Close the cover properly or replace the gasket
The solution flow is insufficient	The solution filter is dirty	Clean the filter
	The solution is empty	Refill solution tank
	Solution flow control valve (31) is clogged	Clean the valve
	The solution is dirty	Clean the solution
The squeegee leaves marks on the floor.	There is debris under the squeegee blades	Remove the debris
	The squeegee blades are worn, chipped or torn	Replace the blades

ÍNDICE

	Página
Precauciones de seguridad	B-2
Componentes de la máquina.....	B-3
Configuración e instalación de la máquina.....	B-4 – B-6
Funcionamiento de la máquina	B-6
Luego de cada uso	B-7
Carga y mantenimiento de batería	B-8 – B-9
Información técnica	B-9
Resolución de problemas	B-10
Lista de piezas.....	D-2 – D-17

INSTRUCCIONES DE SEGURIDAD

Esta máquina está diseñada para uso comercial. Está construida para uso en interiores y no ha sido diseñada para ningún otro uso. Utilice únicamente accesorios recomendados.

Todos los operadores deben leer, entender y ejercitar las siguientes instrucciones de seguridad:

- 1) No utilice la máquina:
 - A menos que esté capacitado y autorizado.
 - A menos que usted haya leído y comprendido el manual de uso.
 - En áreas inflamables o explosivas.
 - Si no está en condiciones apropiadas de funcionamiento.
 - En las zonas al aire libre.
- 2) Antes de utilizar la máquina:
 - Asegúrese de que todos los dispositivos de seguridad están en su lugar y funcionan correctamente.
- 3) Cuando utilice la máquina:
 - Trabaje lentamente en superficies inclinadas y resbaladizas.
 - Respete todas las pautas de seguridad.
 - Sea muy cuidadoso al utilizar la máquina en reversa.
 - Informe y arregle cualquier daño en la máquina antes de utilizarla.
- 4) Antes de abandonar o reparar la máquina:
 - Detenga la máquina a nivel del suelo.
 - Apague la máquina.
- 5) Cuando repare la máquina:
 - Lea completamente en manual del usuario antes de utilizar o reparar esta máquina.
 - Utilice las partes de repuesto suministradas o aprobadas por el fabricante.
 - Asegure la máquina con el bloqueo de rueda antes de elevar la máquina.
 - Utilice un gato o montacargas aprobado para elevar la máquina de forma segura.
 - Desconecte las baterías antes de trabajar en la máquina.
 - Colóquese guantes al manipular baterías o cables de batería.
 - Evite cualquier contacto con el ácido de batería.
 - Evite mover piezas. No use ropa holgada mientras arregla la máquina.

¡ADVERTENCIA!

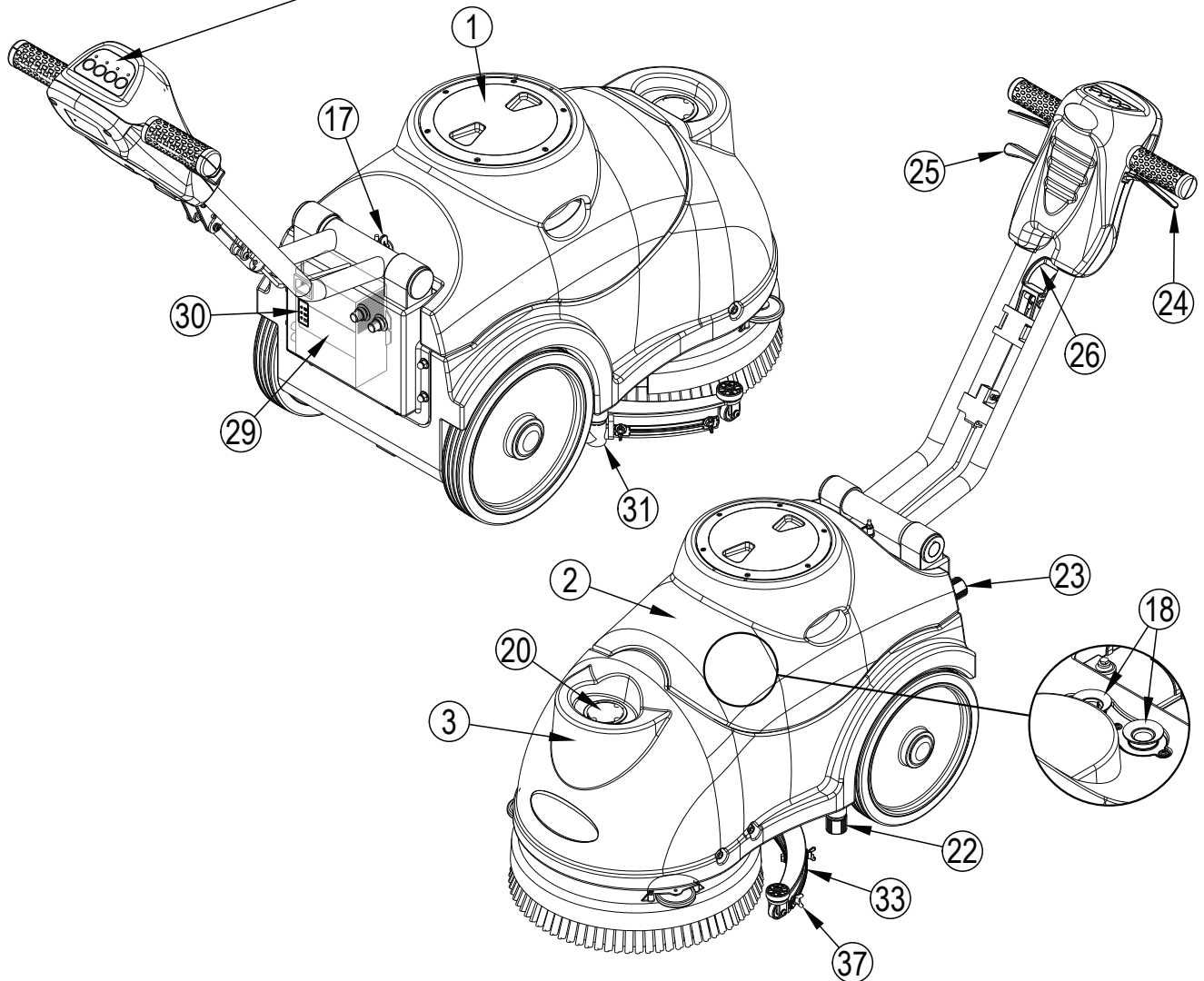
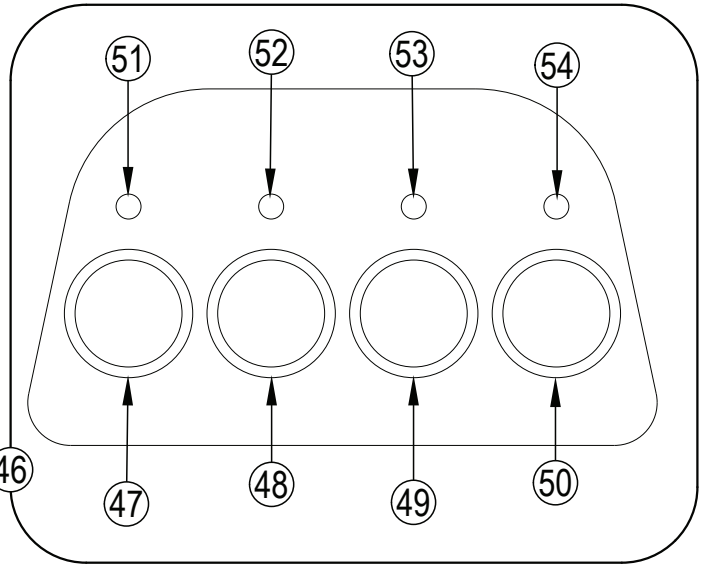
Las baterías emiten gas hidrógeno. El gas hidrógeno puede provocar explosión o incendio. ¡Mantenga alejadas, chispas y llamas abiertas! Mantenga el compartimento de la batería abierto mientras se está cargando.

Los materiales inflamables pueden provocar una explosión o un incendio. No introduzca materiales inflamables en depósitos.

Los materiales inflamables o metales reactivos pueden provocar una explosión o un incendio. No los aspire.

COMPONENTES DE LA MÁQUINA

- 1 Tapa del depósito de recuperación
- 2 Depósito de recuperación
- 3 Depósito de solución
- 17 Pestillo del depósito de recuperación
- 18 Conectores de aspiración de goma
- 20 Entrada de solución
- 22 Tapa del tubo de drenaje del depósito de solución
- 23 Tapa del tubo de drenaje del depósito de recuperación
- 24 Disparadores de funcionamiento
- 25 Palanca de ajuste de la manija
- 26 Palanca de elevación/descenso de la escobilla
- 29 Cargador de batería
- 30 Indicadores de carga de batería
- 31 Válvula de bola de solución
- 33 Escobilla
- 37 Tuercas de palomilla de la pala de la escobilla.
- 46 Panel de control
- 47 Interruptor principal
- 48 Interruptor del motor del cepillo
- 49 Interruptor del motor de aspiración
- 50 Interruptor de la solución
- 51 Indicador de batería
- 52 Indicador del motor del cepillo
- 53 Indicador del motor de aspiración
- 54 Indicador de solución



CONFIGURACIÓN E INSTALACIÓN DE LA MÁQUINA

DESEMBALAJE DE LA MÁQUINA

Asegúrese y verifique que el paquete de cartón esté libre de daños. Informe inmediatamente cualquier daño al portador.

Verifique el contenido del paquete para asegurarse de que los siguientes elementos estén incluidos:

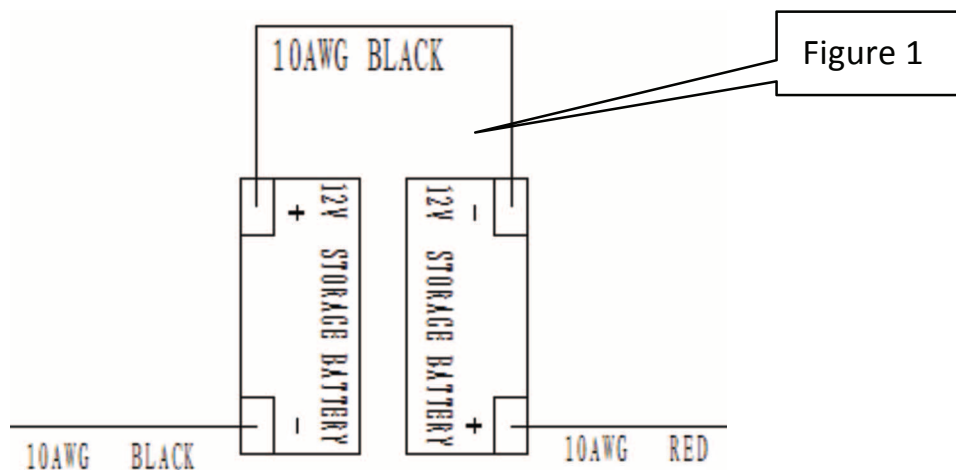
1. Máquina
2. Baterías (x2)
3. Conjunto de la escobilla
4. Manual del usuario
5. Manual de carga eléctrica de batería (si lo tiene)
6. Conexión del cable de la batería y el cargador (si lo tiene)
7. Cepillo

DESMONTAJE E INSTALACIÓN DE LA BATERÍA

1. Apague del interruptor principal. (47)
2. Extraiga el depósito de recuperación. (2)
3. Quite el perno de las baterías. (16) Quite o cambie las baterías.
4. Instale las baterías en la máquina de acuerdo con el siguiente diagrama.
5. Instale el depósito de recuperación.

⚠ ¡ADVERTENCIA!

No conecte + con +, o - con -, cuando desmonte o instale las baterías. Es muy peligroso.



CARGA DE BATERÍA

Cargue las baterías. (Consulte la sección de mantenimiento)

CONFIGURACIÓN DE LA MÁQUINA

Verificaciones anteriores al uso

1. Barra o quite el polvo de la superficie a ser limpiada con un trapo.
2. Asegúrese de que la escobilla esté debidamente instalada.
3. Baje la escobilla (33) con la palanca. (26)
4. Asegúrese que las baterías estén completamente cargadas. (consulte la sección Carga de la Batería)
5. Asegúrese de que el cepillo esté debidamente instalado.

INSTALACIÓN Y DESMONTAJE DEL CEPILLO/PORTABAYETAS

NOTA

Sólo instale manualmente. Si se instala automáticamente, se desgastará el buje del cepillo.

Asegúrese de que los depósitos estén vacíos antes de quitar el cepillo.

1. Apague la máquina.
2. Coloque la máquina en la posición mostrada en la figura 2. Levante la palanca de levantamiento (26) para levantar la escobilla. (33).
3. Coloque el cepillo o portabayetas en el cubo de accionamiento de la rueda y luego gire hacia la izquierda hasta que se bloquee, como se indica en la figura 3.
4. Para retirar el cepillo/almohadilla, gire el cepillo/almohadilla hacia la derecha hasta que se libere del cubo de accionamiento.

⚠ ¡ADVERTENCIA!

No encienda la máquina en la siguiente posición. Puede provocar que el cepillo/almohadilla se salga o causar daños.

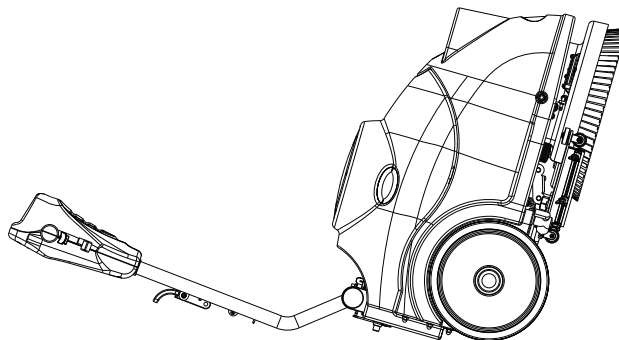


FIGURA 2

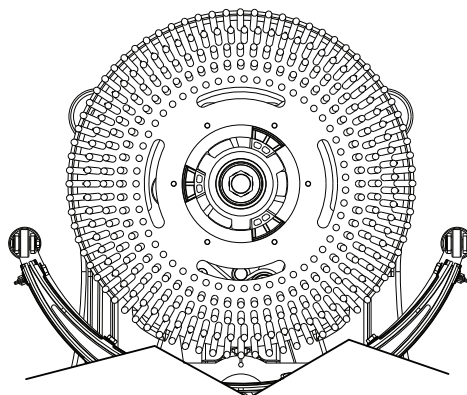
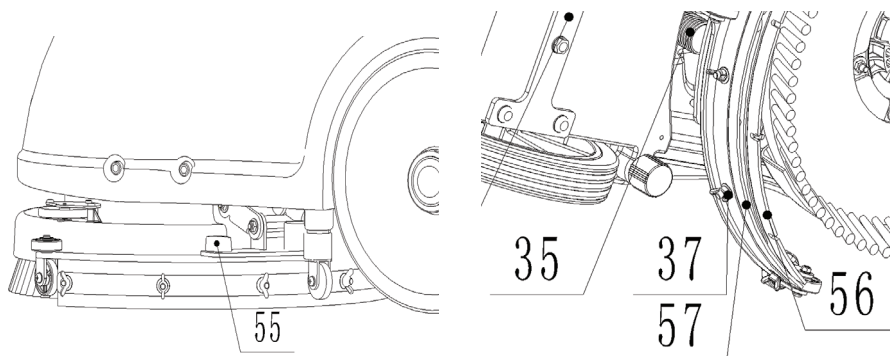


FIGURA 3

INSTALACIÓN DE LA ESCOBILLA

1. Apague la máquina. (47)
2. Tire hacia abajo la palanca de elevación de la escobilla (26) para colocar la escobilla en la posición de "trabajo".
3. Coloque la máquina en esta posición, como se muestra en la Figura 2.
4. Afloje los dos tornillos (55) de la escobilla y desplace la escobilla por las ranuras del soporte de la escobilla.
5. Apriete las perillas de forma segura. (desenrosque las perillas, si quiere quitarla)
6. Para reemplazar la escobilla delantera / trasera, (56/57) desenroscar las tuercas mariposa (37).



LLENADO DEL DEPÓSITO DE SOLUCIÓN

NOTA

La máquina puede ser llenada con una manguera o un balde. No retire el filtro de la solución (21) durante el llenado.

1. Llenar el agua en el depósito de solución (3) desde la entrada (20) a través de la manguera o balde.
2. No llene en exceso el depósito de solución. Lo mejor es dejar una pulgada desde el borde superior.
3. La temperatura del agua no debe superar los 40 °C.

¡PRECAUCIÓN!

Utilice únicamente detergentes de baja espuma no inflamables que estén diseñados para aplicaciones de fregado automático.

VACIADO DEL DEPÓSITO DE SOLUCIÓN

NOTA

El depósito de solución debe vaciarse y limpiarse al finalizar cada operación de fregado.

1. Desenroscar el tapón de drenaje (22) en la parte inferior del depósito de solución. La solución/agua fluirá libremente en un balde o en el drenaje del piso.
2. Enjuague el depósito de solución con agua limpia después de cada uso. Esto ayudará a prevenir la acumulación de productos químicos y la obstrucción la tapa de solución.
3. Coloque nuevamente el tapón de drenaje. (22)

VACIADO DEL DEPÓSITO DE RECUPERACIÓN

NOTA

El depósito de recuperación debe vaciarse y limpiarse al finalizar cada operación de fregado.

1. Gire el pestillo (17) en el depósito de recuperación. Retire el depósito de recuperación de la máquina agarrando dos ranuras del depósito y tirando hacia arriba. Abra la tapa (1) y vuelque el depósito de recuperación para drenar el agua sucia en un recipiente, o desenroscar el tapón de drenaje (23) para dejar escurrir el agua en un balde.
2. Limpie y enjuague el depósito de recuperación con agua limpia después de cada uso.
3. Coloque nuevamente el depósito de recuperación en la máquina y gire el pestillo (17) para bloquear el depósito en su lugar.

FUNCIONAMIENTO DE LA MÁQUINA

1. Ajuste la manija a una altura cómoda pulsando nivel. (25)
2. Baje la escobilla (33) en el suelo tirando hacia abajo la manija de elevación. (26)
3. Encienda el interruptor de alimentación principal. (47)
4. Encienda el interruptor del motor del cepillo (48) y el interruptor de solución. (50)
5. Encienda el interruptor del motor de aspiración. (49)
6. De ser necesario, ajuste el flujo de agua girando manualmente la válvula de bola. (31)
7. Tire de uno o los dos disparadores de funcionamiento. (24) El cepillo girará y la solución empezará a fluir. Empuje la máquina hacia delante para empezar a limpiar.

NOTA

Si la luz indicadora de la batería (51) es de color verde, la máquina puede ser utilizada. Si es amarilla o roja, las baterías deben ser cargadas.

¡PRECAUCIÓN!

Antes de levantar el cepillo, apague el interruptor de alimentación principal. (47)

Si las luces del panel de control (46) parpadean al mismo tiempo, esto indica que la máquina está sobrecargada. Por favor, apague todos los interruptores del panel de control (46) para reiniciar la máquina. Si el problema persiste, póngase en contacto con un técnico autorizado.

Hacer funcionar la máquina con las baterías descargadas puede causar daño a las baterías o a la máquina.

DESPUÉS DE CADA USO

Después de fregar, por favor proceda con las acciones a continuación antes de guardar la máquina:

1. Retire los cepillos o portabayetas.
2. Vacíe los depósitos, como se muestra en el párrafo anterior.
3. Lleve a cabo los procedimientos de mantenimiento diario. (Vea la sección de mantenimiento)
4. Guarde la máquina en un lugar limpio y seco, con el cepillo/portabayetas y la escobilla levantados.
5. Si la guardará en un área que puede alcanzar temperaturas de congelación, asegúrese de drenar todos los líquidos de la máquina antes de su almacenamiento. Cualquier daño causado por la congelación, anulará la garantía.

ALMACENAMIENTO DE LA MÁQUINA

Si la máquina no será utilizada por más de 30 días, por favor proceda con las acciones a continuación:

1. Realice los procedimientos que aparecen en "Después de cada uso" en la sección anterior.
2. Desconecte el conector de la batería.

MANTENIMIENTO

La vida útil de la máquina y su máxima seguridad de funcionamiento están garantizadas por el mantenimiento correcto y regular. La siguiente tabla proporciona el mantenimiento programado. Los intervalos indicados pueden variar de acuerdo a las condiciones de trabajo individuales.

¡ADVERTENCIA!

Los procedimientos de mantenimiento deben realizarse con la máquina apagada y con el cable de carga de las baterías/batería desconectado. Además, lea cuidadosamente las instrucciones en el capítulo de Seguridad.

Todos los procedimientos de mantenimiento deben ser realizados por personal calificado o por un centro de servicio autorizado.

Este manual sólo describe los procedimientos de mantenimiento más comunes.

Para procedimientos adicionales de mantenimiento, comuníquese con su Centro de Servicio local.

TABLA DE MANTENIMIENTO PROGRAMADO

	Luego de cada uso	Semanal	Cada seis meses	Anual
Carga de batería				
Limpieza de la escobilla				
Limpieza del cepillo				
Limpieza del depósito, la criba de aspiración y comprobar junta de la tapa superior				
Verificación y reemplazo de la pala de la escobilla				
Limpieza del filtro de entrada				
Verificar la ajustabilidad del tornillo y contratuerca			(1)	
Lubricación de las piezas giratorias			(1)	
Verificar los cepillos de carbón del motor de cepillos				(2)
Verificar los cepillos de carbón del motor de aspiración				(2)

(1) = Después de las primeras 8 horas.

(2) = Este procedimiento de mantenimiento debe ser realizado por un Centro de Servicio autorizado.

CARGA DE BATERÍAS

NOTA

Cambie las baterías cuando el indicador esté en amarillo o rojo (51), o al finalizar cada ciclo de trabajo.

¡PRECAUCIÓN!

El cuidado apropiado de la batería extenderá la vida de la batería

Si la máquina no está equipada con un cargador de baterías incorporado, elija un cargador externo adecuado para el tipo de baterías instaladas.

¡ADVERTENCIA!

Por favor, use un cargador aprobado por Clarke para cargar las baterías.

1. Coloque el cargador y la máquina en una zona bien ventilada.
2. Apague la máquina.(47)
3. Retire el depósito de recuperación, (2) dejando expuesto el compartimento de la batería.
4. Conecte el cable de carga a la toma corriente con conexión a tierra (100V ~ 240V). Conecte el cable de carga a la toma de la máquina.
5. La luz de carga (30) indica que las baterías se están cargando. Una luz verde indica que la carga de la batería se ha completado.
6. Al finalizar la carga, desconecte el cargador de la toma de corriente y desconecte el cargador de la máquina.
7. Coloque nuevamente el depósito de recuperación.

NOTA

Para más información sobre el funcionamiento del cargador de baterías, (29) véase la sección del cargador.

LIMPIEZA DE LA ESCOBILLA

NOTA

Para un rendimiento óptimo, las hojas de la escobilla deben estar limpias, secas y en buen estado.

¡PRECAUCIÓN!

Es recomendable el uso de guantes protectores cuando limpie la escobilla, porque puede haber residuos cortantes.

COMPROBACIÓN Y SUSTITUCIÓN DE LA ESCOBILLA

1. Retire la escobilla como se mostró anteriormente.
2. Revise si los fillos de las hojas delanteras y traseras están agrietados. Si es necesario reemplazar con hojas nuevas.
3. Afloje los seis tuercas de mariposa (37) para retirar las hojas.
4. Revise las hojas delanteras y traseras por cortes y desgarros. Si encuentran daños, puede voltear las hojas una vez y volver a instalar. Si ya fueron volcadas, por favor reemplace por hojas nuevas.
5. Instale la escobilla en el orden inverso al desmontaje.

LIMPIEZA DEL CEPILLO/PORTABAYETAS

⚠ ¡PRECAUCIÓN!

Es recomendable el uso de guantes protectores cuando limpie el cepillo/almohadilla, porque puede haber residuos cortantes.

1. Retire el cepillo / almohadilla, como se muestra en la sección "Utilización de la máquina".
2. Limpie y lave el cepillo / almohadilla con agua y detergente.
3. Compruebe las cerdas del cepillo para integridad y desgaste. Si es necesario, reemplace el cepillo.
4. Verifique si la almohadilla se encuentra desgastada. Si es necesario, reemplace el portabayetas.

MANTENIMIENTO DEL DEPÓSITO DE RECUPERACIÓN

⚠ ¡PRECAUCIÓN!

Es recomendable el uso de guantes protectores cuando limpie el depósito y el conjunto de aspiración/succión, porque puede haber residuos cortantes.

1. Sitúe la máquina en el área de drenaje designado.
2. Apague el interruptor principal (47).
3. Retire el depósito de recuperación, (2) y enjuague tanto el depósito de solución / recuperación, y vacíelos.
4. Retire la junta y el filtro de aspiración. Limpie y vuelva a instalar.
5. Compruebe la existencia de desgaste en la junta de la tapa del depósito de recuperación y el conector de caucho de aspiración (18).
Reemplace si es necesario.

NOTA

El anillo de junta del depósito de recuperación y el conector de goma entre los dos depósitos genera vacío en el depósito. Si es necesario, reemplácelos.

DATOS TÉCNICOS

MODELO	MA50 15B
Longitud/ anchura/ altura de la máquina	770x500x550MM
Capacidad del depósito de solución	15L
Capacidad del depósito de recuperación	15L
Diámetro de la rueda	254MM
Motor del cepillo	24V/250W
Motor de aspiración	24V/250W
Válvula de solenoide	24V
Pendiente máxima cuando se trabaja	2%
Nivel de sonido	70dBA
Baterías estándar	Seco: (2 × 12V) 24V 33Ah
Tamaño de las Baterías	196 x 130 x 175mm
Longitud del cable de alimentación	N/A
Productividad de limpieza	750m ² /hour
Ancho de la escobilla	490mm
Diámetro del cepillo	380mm
Rpm del cepillo	150rpm
Cargador	Entrada 110-224Vac,50-60HZ; Salida 24Vdc,5A
Peso neto de la máquina	60kg
Peso de máquina (con cargador y paquete)	65kg
Especificaciones del cartón	780x415x590MM

RESOLUCIÓN DE PROBLEMAS

Problema	Posible causa	Remedio
La máquina no funciona, el indicador luminoso (51) no se enciende	El conector de la batería está desconectado	Conectar
	Las baterías están completamente descargadas	Cargar las baterías
	El cable de alimentación está desconectado de la alimentación	Conectar
La máquina no funciona, el indicador luminoso (51) está rojo	Las baterías están descargadas	Cargar las baterías
El motor del cepillo no funciona, el indicador luminoso del cepillo (52) no se enciende.	El panel de control o el teclado está roto	Cambie el panel de control o el teclado
El motor del cepillo no funciona, el indicador luminoso del cepillo (52) parpadea	El motor de cubierta está sobrecargado	Utilice cepillos menos agresivos, adecuados para el suelo a limpiar
	Una obstrucción impide que el cepillo gire	Limpie la caja del cepillo
El motor del sistema de aspiración no funciona, el indicador luminoso del motor de aspiración (53) no se enciende.	El panel de control o el teclado está roto	Cambie el panel de control o el teclado
El motor del sistema de aspiración no funciona, el indicador luminoso del cepillo (53) parpadea	El motor de aspiración está sobrecargado	Verifique el motor de aspiración
Aspiración/ recogida de agua insuficiente	El depósito de recuperación está lleno	Vacíe el depósito de recuperación.
	La manguera está desconectada de la escobilla	Conéctela nuevamente
	El conjunto de aspiración está obstruido	Límpielo y verifíquelo
	La escobilla está sucia, o las hojas de la escobilla están desgastadas o dañadas	Limpie y verifique la escobilla
	El depósito de recuperación no traba al cerrarse	Trabe el pestillo (17)
	La tapa del depósito no está bien cerrada o la junta está dañada	Cierre la tapa correctamente o sustituya la junta
El flujo de la solución es insuficiente	El filtro de la solución está sucio	Limpie el filtro
	La solución está vacía	Rellene el depósito de solución
	La válvula de control de flujo de la solución (31) está obstruida	Limpie la válvula
	La solución está sucia	Limpie la solución
La escobilla deja marcas en el piso	Hay residuos bajo las hojas de la escobilla	Retire los residuos
	Las hojas de la escobilla están desgastadas, astilladas o rasgadas	Reemplace las hojas

TABLE DES MATIÈRES

	Page
Consignes de sécurité	C-2
Composants de la machine	C-3
Montage et installation de la machine	C-4 – C-6
Fonctionnement de la machine	C-6
Après chaque utilisation	C-7
Mise en charge et maintenance de la batterie.....	C-8 – C-9
Données techniques.....	C-9
Dépannage	C-10
Liste des pièces.....	D-2 – D-17

CONSIGNES DE SÉCURITÉ

Cette machine est conçue pour un usage commercial. Elle est prévue pour une utilisation en intérieur et ne convient à aucun autre usage.

N'utilisez que les accessoires recommandés

Avant d'utiliser l'appareil, il est indispensable de bien lire, d'avoir compris et d'appliquer les consignes de sécurité énoncées ci-après :

- 1) Ne pas utiliser l'appareil dans les cas suivants :
 - Sans avoir été formé et y être autorisé
 - Sans avoir lu au préalable et compris le manuel de l'opérateur.
 - Dans des zones ininflammables ou présentant un risque d'explosion
 - Si la machine n'est pas en état de fonctionnement.
 - En extérieur.
- 2) Avant d'utiliser la machine
 - Vérifiez que tous les dispositifs de sécurité sont en place et fonctionnent correctement.
- 3) Lors de l'utilisation de la machine :
 - Avancez lentement sur les surfaces en pente ou glissantes
 - Respectez les consignes de sécurité.
 - Soyez très prudent en cas d'utilisation de la machine en marche arrière.
 - Signalez et réparez tout défaut avant d'utiliser la machine.
- 4) Avant de ranger la machine ou de procéder à une intervention sur celle-ci :
 - Arrêtez la machine sur une surface plane.
 - Éteignez-la.
- 5) En cas d'intervention d'entretien sur la machine :
 - Lisez attentivement le manuel d'utilisation avant d'utiliser ou d'intervenir sur cette machine.
 - N'utilisez que des pièces de rechange fournies ou agréées par le fabricant.
 - Immobilisez la machine à l'aide de cales placées sur les roues avant de lever la machine.
 - Utilisez un vérin ou un palan agréé afin de lever la machine en toute sécurité.
 - Débranchez les batteries avant d'intervenir sur la machine.
 - Portez des gants lorsque vous manipulez les batteries ou les câbles de batterie.
 - Évitez tout contact avec l'acide de la batterie.
 - Tenez-vous à distance des pièces mobiles de la machine. Évitez de porter des vêtements amples en cas d'intervention sur la machine.

AVERTISSEMENT !

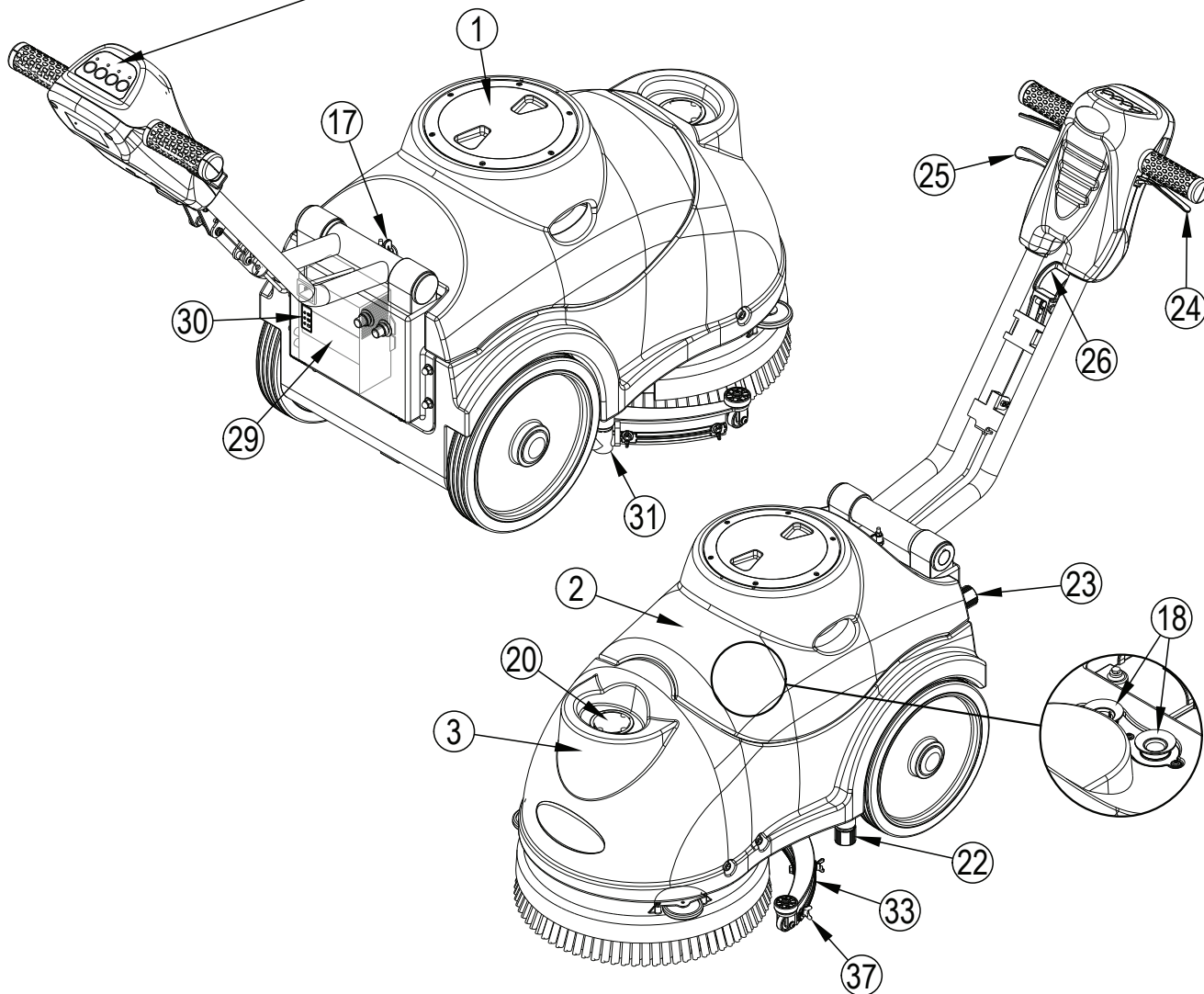
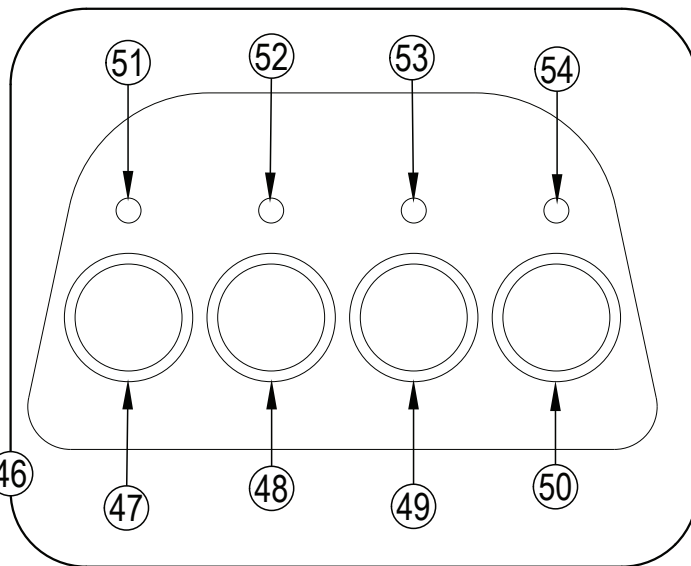
Les batteries émettent de l'hydrogène. Ce gaz peut exploser ou prendre feu. Évitez toute étincelle ou flamme nue à proximité de la machine. Laissez le compartiment de la batterie ouvert pendant que celle-ci est en charge.

Les produits ou matériaux inflammables peuvent provoquer une explosion ou un incendie. Ne pas utiliser de produits inflammables dans les réservoirs

Les produits inflammables ou métaux réactifs peuvent provoquer une explosion ou un incendie. N'aspirez aucun produit inflammable.

COMPOSANTS DE LA MACHINE/NOMENCLATURE

- 1 Couvercle du réservoir de récupération
- 2 Réservoir de récupération
- 3 Réservoir de solution
- 17 Loquet du réservoir de récupération
- 18 Raccords en caoutchouc du système d'aspiration
- 20 Orifice de remplissage de solution
- 22 Bouchon de vidange du réservoir de solution
- 23 Bouchon de vidange du réservoir de récupération
- 24 Commandes de fonctionnement
- 25 Levier de réglage de la poignée
- 26 Poignée de levage / abaissement de la raclette
- 29 Chargeur de batterie
- 30 Indicateur du niveau de charge de la batterie
- 31 Clapet à bille de solution
- 33 Raclette
- 37 Écrous à oreilles de fixation de la lame de la raclette
- 46 Panneau de commande
- 47 Interrupteur principal
- 48 Interrupteur du moteur de la brosse
- 49 Interrupteur du moteur d'aspiration
- 50 Interrupteur de commande de la solution
- 51 Voyant de batterie
- 52 Voyant du moteur de la brosse
- 53 Voyant du moteur d'aspiration
- 54 Voyant de solution



MONTAGE ET INSTALLATION DE LA MACHINE

DÉBALLAGE DE LA MACHINE

Vérifiez que l'emballage n'est pas abîmé. Signalez immédiatement tout dommage au transporteur.

Vérifiez le contenu de l'emballage et assurez-vous que les éléments suivants sont bien présents :

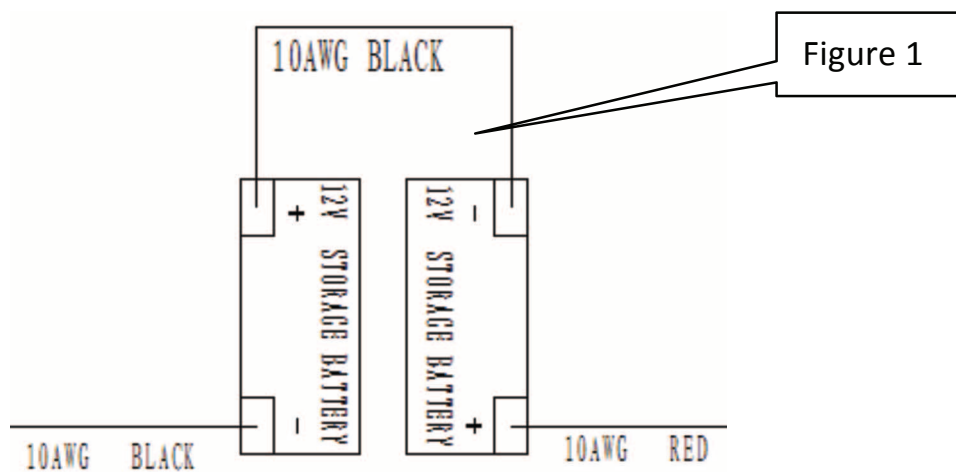
1. Machine
2. Batteries (x2)
3. Raclette
4. Manuel d'utilisation
5. Manuel d'utilisation du chargeur de batterie électrique (si équipé)
6. Câble de raccordement de la batterie et du chargeur (si équipé)
7. Brosse

DÉPOSE ET INSTALLATION DE LA BATTERIE

1. Coupez l'interrupteur principal (47)
2. Retirez le réservoir de récupération. (2)
3. Enlevez le boulon de fixation des batteries (16) Sortez ou remplacez les batteries.
4. Installez les batteries sur la machine en vous référant au schéma ci-dessous
5. Remettez en place le réservoir de récupération

⚠ AVERTISSEMENT !

Ne pas brancher le + batterie sur le +, ou le - sur le -, pendant de la dépose ou la mise en place des batteries. Ceci est très dangereux.



MISE EN CHARGE DE LA BATTERIE

Mise en charge des batteries (voir le chapitre Maintenance)

MONTAGE DE LA MACHINE

Vérifications avant utilisation

1. Balayez ou enlevez la poussière de la surface à nettoyer avec une serpillère.
2. Vérifiez que la raclette est bien mise en place.
3. A l'aide du levier (26), mettre la raclette en position basse (33).
4. Vérifiez que les batteries sont complètement chargées (voir le chapitre Mise en charge des batteries)
5. Vérifiez que la brosse est bien en place.

INSTALLATION ET DÉMONTAGE DE LA BROSSE/DU PORTE-DISQUE

NOTE

Installez ces éléments manuellement uniquement. S'ils sont installés de façon automatique, ceci entraîne une usure du moyeu de la brosse.

Vérifiez que les réservoirs sont vides avant de démonter la brosse.

1. Eteignez la machine.
2. Mettez la machine dans la position illustrée figure 2. Tirez sur le levier de levage (26) afin de relever la raclette. (33).
3. Installez la brosse ou le porte-disque sur le moyeu de la roue d'entraînement puis la tourner dans le sens contraire des aiguilles d'une montre, jusqu'à ce qu'elle s'enclenche, comme indiqué figure 3.
4. Pour démonter la brosse ou le porte-disque, tournez la brosse ou le porte-disque dans le sens des aiguilles d'une montre, jusqu'à ce qu'elle se détache du moyeu d'entraînement.

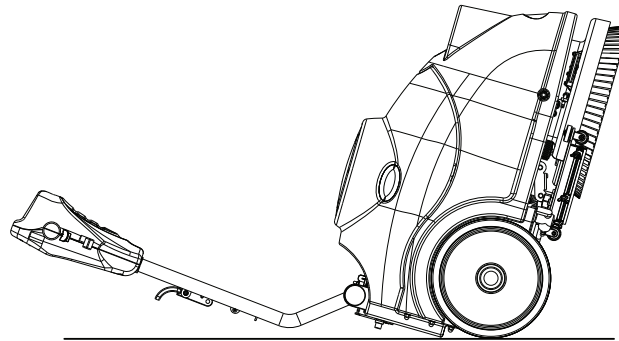


FIGURE 2

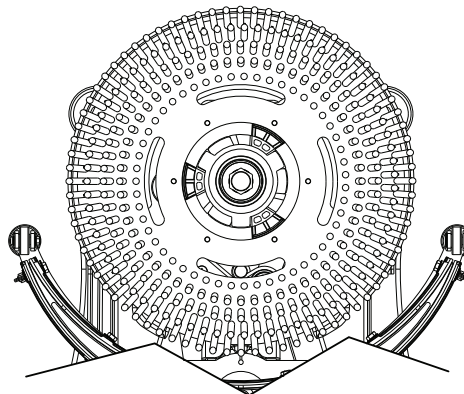


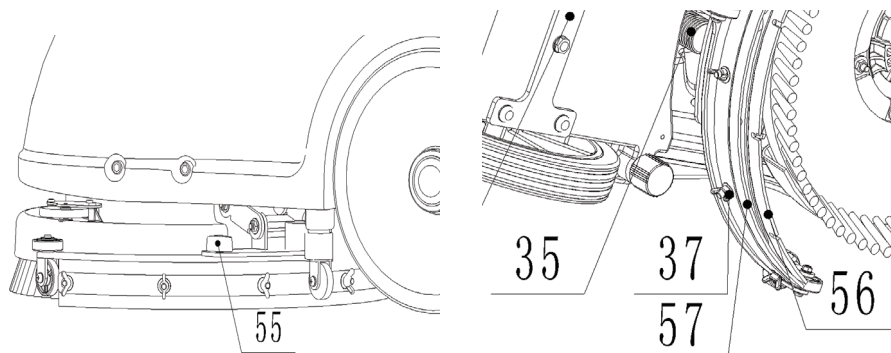
FIGURE 3

⚠ AVERTISSEMENT !

Ne pas allumer la machine tant qu'elle est dans cette position. Si la brosse ou le porte-disque se détache alors que la machine est dans cette position, cela peut provoquer des blessures.

INSTALLATION DE LA RACLETTE

1. Eteignez la machine. (47)
2. Abaissez le levier de relevage de la raclette (26) afin de baisser la raclette et la mettre en position de « travail ».
3. Mettez la machine dans la position illustrée figure 2.
4. Desserrez les deux boutons (55) sur la raclette et glissez la raclette dans les fentes situées sur les pattes de fixation de la raclette.
5. Resserrez à fond les boutons. (dévissez les boutons pour enlever la raclette)
6. Pour remplacer la raclette avant/arrière (56/57), dévissez les écrous à oreilles (37).



REPLISSAGE DU RÉSERVOIR DE SOLUTION

NOTE

Le réservoir peut être rempli à l'aide d'un tuyau ou d'un seau. Ne pas enlever le filtre à solution (21) pendant le remplissage.

1. Remplir d'eau le réservoir de solution (3) par l'orifice (20) à l'aide d'un tuyau ou d'un seau.
2. veillez à ne pas faire déborder le réservoir de solution. Il est recommandé de ne pas remplir le réservoir au-delà de 2,5 cm du bord du réservoir.
3. La température de l'eau ne doit pas faire plus de 40°C.

ATTENTION !

Utilisez uniquement des produits de nettoyage ininflammables et peu moussants, adaptés aux machines de nettoyage automatiques.

VIDANGE DU RÉSERVOIR DE SOLUTION

NOTE

Le réservoir de solution doit être vidangé et nettoyé après chaque utilisation de la machine.

1. Dévissez le bouchon de vidange (22) situé sous le réservoir de solution. La solution/l'eau s'écoule alors librement dans un seau ou un siphon de sol.
2. Rincer le réservoir de solution à l'eau claire après chaque utilisation. Ceci permet d'éviter que les produits chimiques ne se déposent et bouchent le circuit de solution.
3. Remettre le bouchon de vidange. (22)

VIDANGE DU RÉSERVOIR DE RÉCUPÉRATION

NOTE

Le réservoir de récupération doit être vidangé et nettoyé après chaque opération de nettoyage.

1. Tournez le loquet (17) situé sur le réservoir de récupération. Enlevez le réservoir de récupération de la machine en le prenant par les deux rainures situées sur le réservoir et en le tirant vers le haut. Ouvrez le couvercle (1) et retournez le réservoir de façon à vider l'eau sale dans un récipient ou dévissez le bouchon de vidange (23) de façon à laisser l'eau s'écouler dans un seau.
2. Nettoyez et rincez le réservoir de récupération à l'eau claire après chaque utilisation.
3. Remettez en place le réservoir sur la machine et tournez le loquet (17) de façon à bloquer le réservoir en position.

FONCTIONNEMENT DE LA MACHINE

1. Réglez la poignée à la hauteur qui vous convient en appuyant sur la manette. (25)
2. Abaissez la raclette (33) de façon à ce qu'elle repose sur le sol en abaissant la manette de relèvement. (26)
3. Mettez l'interrupteur principal en position de marche. (47)
4. Tournez l'interrupteur du moteur de la brosse (48) ainsi que l'interrupteur de solution. (50)
5. Mettez l'interrupteur du moteur d'aspiration en position de marche. (49)
6. Si nécessaire réglez le débit d'eau en actionnant manuellement le clapet à bille. (31)
7. Tirez sur l'une des deux manettes de commande ou sur les deux. (24). La brosse se met en mouvement et la solution commence à arriver. Poussez la machine vers l'avant pour commencer le nettoyage.

NOTE

Si le voyant de batterie (51) est vert, la machine est prête à fonctionner. Si le voyant est jaune ou rouge, les batteries ont besoin d'être rechargées.

ATTENTION !

Avant de relever la brosse éteindre la machine à l'aide de l'interrupteur principal. (47)

Si les voyants situés sur le panneau de commande (46) clignotent simultanément, cela signifie que la machine est en surcharge. Éteignez tous les interrupteurs sur le panneau de commande (46) de façon à réinitialiser la machine. Si le problème persiste, contactez un réparateur agréé.

L'utilisation de la machine avec les batteries déchargées peut endommager les batteries et la machine.

APRÈS CHAQUE UTILISATION

Une fois le nettoyage terminé, effectuez les opérations suivantes avant de ranger la machine :

1. Enlevez la brosse ou le porte-disque
2. Videz les réservoirs en procédant comme indiqué au paragraphe précédent.
3. Effectuez toutes les procédures d'entretien quotidien. (voir le chapitre Maintenance)
4. Rangez la machine dans un endroit propre et sec, la brosse, le porte-disque et la raclette en position relevée.
5. En cas de stockage dans un endroit qui risque d'être exposé au gel, veillez à bien vidanger tous les liquides de la machine avant de la ranger.
Tout dommage dû au gel annule la garantie.

RANGEMENT DE LA MACHINE

Si la machine ne doit pas être utilisée pendant plus d'un mois, effectuez les opérations suivantes :

1. Effectuez les procédures décrites au chapitre "Après chaque utilisation", ci-dessus.
2. Débranchez le connecteur de batterie.

ENTRETIEN

La durée de vie de la machine et sa sécurité de fonctionnement optimale ne peuvent être garantis que si la machine est régulièrement et correctement entretenue. Les tableaux suivants indiquent l'entretien planifié. Les fréquences indiquées peuvent varier en fonction des conditions d'utilisation.

AVERTISSEMENT !

Les procédures de maintenance doivent être effectuées alors que la machine est éteinte et le câble des batteries ou du chargeur de batterie débranché. De plus, lire attentivement les instructions données au chapitre Sécurité.

Toutes les opérations de maintenance doivent être effectuées par du personnel qualifié ou par un centre d'entretien agréé.

Ce manuel ne reprend que les opérations de maintenance les plus courantes.

Pour connaître les autres opérations de maintenance, contactez votre Centre d'entretien local.

TABLEAU DES OPERATIONS D'ENTRETIEN PLANIFIÉES

	Après chaque utilisation	Toutes les semaines	Tous les six mois	Tous les ans
Mise en charge de la batterie				
Nettoyage de la raclette				
Nettoyage de la brosse				
Nettoyage du réservoir, du tamis d'aspiration et vérification du joint d'étanchéité du couvercle supérieur				
Vérification et remplacement de la lame de la raclette				
Nettoyage du filtre d'admission				
Vérification du serrage de la vis et de l'écrou			(1)	
Lubrification des pièces rotatives			(1)	
Vérification des balais au carbone du moteur de la brosse				(2)
Vérification des balais au carbone du moteur d'aspiration*				(2)

= après les 8 premières heures de fonctionnement.

(2) = Cette intervention de maintenance doit être exécutée par un Centre d'entretien agréé.

MISE EN CHARGE DE LA BATTERIE

NOTE

Rechargez les batteries lorsque le voyant est jaune ou rouge (51) ou à la fin de chaque cycle de travail.

ATTENTION !

Un bon entretien des batteries prolongera la durée de vie de celles-ci.

Si la machine n'est pas équipée de chargeur de batterie embarqué, choisir un chargeur externe adapté au type de batterie installée.

AVERTISSEMENT !

Utilisez un chargeur agréé Clarke pour recharger les batteries.

1. Placez le chargeur et la machine dans un endroit bien aéré.
2. Eteignez la machine (47).
3. Déposer le réservoir de récupération (2) de façon à avoir accès au compartiment des batteries.
4. Branchez le câble de mise en charge sur une prise reliée à la terre (100 v~240 v). Branchez le câble de mise en charge au connecteur situé sur la machine.
5. Le voyant de charge (30) indique que les batteries sont en charge. Le voyant vert indique que la batterie est chargée.
6. Une fois la charge terminée, débranchez d'abord le chargeur de la prise murale puis débranchez-le de la machine.
7. Remettre le réservoir de récupération en place.

NOTE

Pour plus d'information sur le fonctionnement du chargeur (29) voir le chapitre Chargeur.

NETTOYAGE DE LA RACLETTE

NOTE

Pour garantir un maximum d'efficacité, les lames de la raclette doivent être propres, sèches et en bon état.

ATTENTION !

Il est recommandé de porter des gants de protection pour nettoyer la raclette, celle-ci pouvant comporter des débris tranchants.

VÉRIFICATION ET REMPLACEMENT DE LA LAME DE LA RACLETTE

1. Démontez la raclette, en procédant comme indiqué précédemment.
2. Examinez les bords des lames avant et arrière afin de vérifier qu'ils ne sont pas fissurés. Si nécessaire, les remplacer par des lames neuves.
3. Dévissez les six écrous à Oreilles (37) afin de pouvoir démonter les lames.
4. Examinez les lames avant et arrière pour voir si elles ne sont pas coupées ou déchirées. Si elles sont abimées vous pouvez les retourner une fois et les remettre en place. Si elles ont déjà été retournées une fois, les remplacer par des lames neuves.
5. Remettre la raclette en place en procédant dans le sens inverse.

NETTOYAGE DE LA BROSSE/DU DISQUE

⚠ ATTENTION !

Il est recommandé de porter des gants de protection pour nettoyer la brosse ou le disque, ceux-ci pouvant avoir ramassé des débris tranchants.

1. Enlevez la brosse ou le disque en procédant comme indiqué au chapitre « Utilisation de la machine ».
2. Nettoyez la brosse / le disque à l'eau et au détergent.
3. Examinez les poils de la brosse pour voir s'ils ne sont pas usés. Au besoin, remplacez la brosse.
4. Vérifiez que le disque n'est pas usé. Si nécessaire, remplacez le porte-disque.

ENTRETIEN DU RÉSERVOIR DE RÉCUPÉRATION

⚠ ATTENTION !

Il est recommandé de porter des gants de protection pour nettoyer le réservoir et l'ensemble du système d'aspiration, ceux-ci pouvant contenir des débris tranchants.

1. Amenez la machine jusqu'à l'endroit prévu pour la vidange.
2. Coupez l'interrupteur principal (47)
3. Démontez le réservoir de récupération (2), nettoyez et rincez le réservoir de récupération et le réservoir de solution et les vidanger.
4. Démontez le filtre et le joint d'étanchéité du système d'aspiration. Les nettoyer et les remettre en place.
5. Examinez le joint du couvercle du réservoir de récupération et le raccord en caoutchouc du système d'aspiration (18) afin de voir s'ils ne sont pas usés. Remplacez les éléments défectueux ou usés si nécessaire.

NOTE

La bague du joint d'étanchéité du réservoir de récupération et le raccord en caoutchouc situé entre les deux réservoirs créent le vide dans le réservoir. Les remplacer si nécessaire.

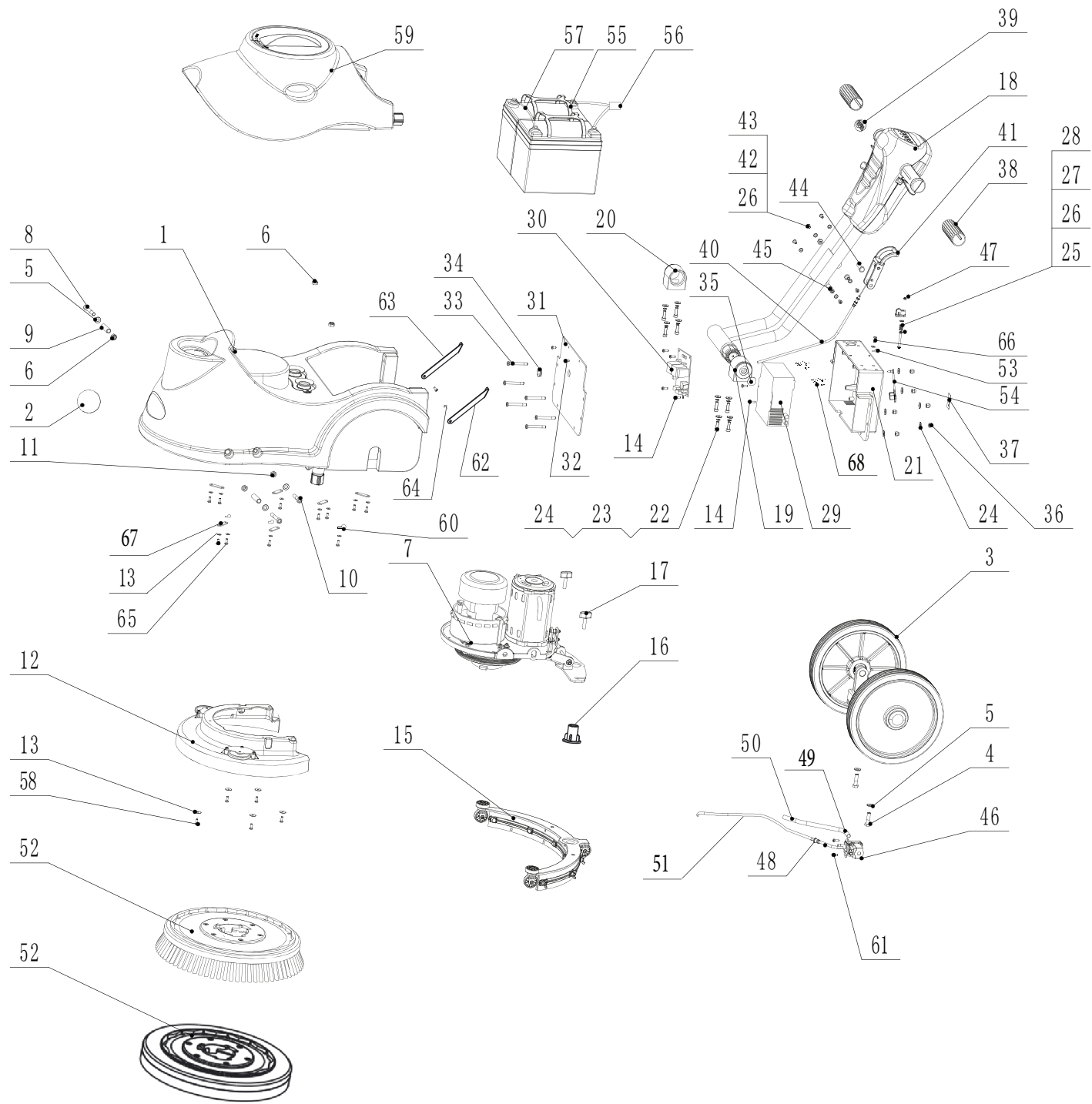
CARACTÉRISTIQUES TECHNIQUES

MODÈLE	MA50 15B
Longueur / largeur /Hauteur de la machine	770 x 500 x 550 mm
Capacité du réservoir de solution	15 L
Capacité du réservoir de récupération	15 L
Diamètre de la roue	254 mm
Moteur de la brosse	24 V/250 W
Moteur d'aspiration	24 V/250 W
Electrovalve	24 V
Pente maximum pour l'utilisation de la machine	2%
Niveau sonore	70 dBA
Batteries standard	Sèches : (2x12 V) 24 V 33 A/h
Dimensions des batteries	196 x 130 x 175 mm
Longueur du câble d'alimentation	N/C
Performances de nettoyage	750 m2/heure
Largeur de la raclette	490 mm
Diamètre de la brosse	380 mm
Rotation de la brosse	150 tr/mn
Chargeur	Entrée 110-224 V c.a, 50-60 HZ ; Sortie 24 V Cc, 5 A
Poids net de la machine	60 kg
Poids net de la machine (avec chargeur et emballage)	65 kg
Dimensions du carton	780 x 415 x 590 MM

DÉPANNAGE

Problème	Cause possible	Solution
La machine ne fonctionne pas, le voyant (51) ne s'allume pas	Le connecteur batterie est débranché	Le brancher
	Les batteries sont complètement déchargées.	Chargez les batteries
	Le cordon d'alimentation est débranché	Le brancher
La machine ne fonctionne pas, le voyant (51) est rouge	Les batteries sont déchargées.	Chargez les batteries
Le moteur de la brosse ne fonctionne pas, le voyant de la brosse (52) ne s'allume pas.	La CCI ou la carte mère est défectueuse	Changez la CCI ou la carte mère
Le moteur de la brosse ne fonctionne pas le voyant (52) clignote.	Le moteur de la platine est en surcharge	Utilisez des brosses moins agressives, adaptées au sol à nettoyer.
	Un obstacle empêche la rotation de la brosse.	Nettoyez le moyen de la brosse.
Le système d'aspiration ne fonctionne pas, le voyant du moteur d'aspiration (53) ne s'allume pas.	La CCI ou la carte mère est défectueuse	Changez la CCI ou la carte mère
Le moteur du système d'aspiration ne fonctionne pas le voyant (53) clignote.	Le moteur d'aspiration est en surcharge	Vérifiez le moteur d'aspiration
L'aspiration ou la récupération de l'eau est insuffisante	Le réservoir de récupération est plein	Vider le réservoir récupération
	Le tuyau de la raclette est débranché	Le rebrancher
	Le circuit d'aspiration est bouché	Le nettoyer ou vérifier le circuit
	La raclette est sale ou les lames de la raclette sont usées ou abimées.	Examinez et nettoyez la raclette
	Le réservoir de récupération ne se ferme pas bien	Bien enclencher le loquet (17) de façon à le verrouiller
	Le couvercle du réservoir ne ferme pas bien ou le joint d'étanchéité est abimé	Bien fermer le couvercle ou remplacer le joint
Le débit de solution est trop faible	Le filtre de solution est sale	Nettoyer le filtre
	La solution est vide	Remplir le réservoir de solution
	Le régulateur de débit de solution (31) est bouché	Vérifier la valve
	La solution est sale	Nettoyer la solution
La raclette laisse des traces sur le sol	Des débris sont coincés sous la lame.	Enlever les débris accumulés
	Les lames de la raclette sont usées, déchiquetées ou déchirées	Remplacer les lames

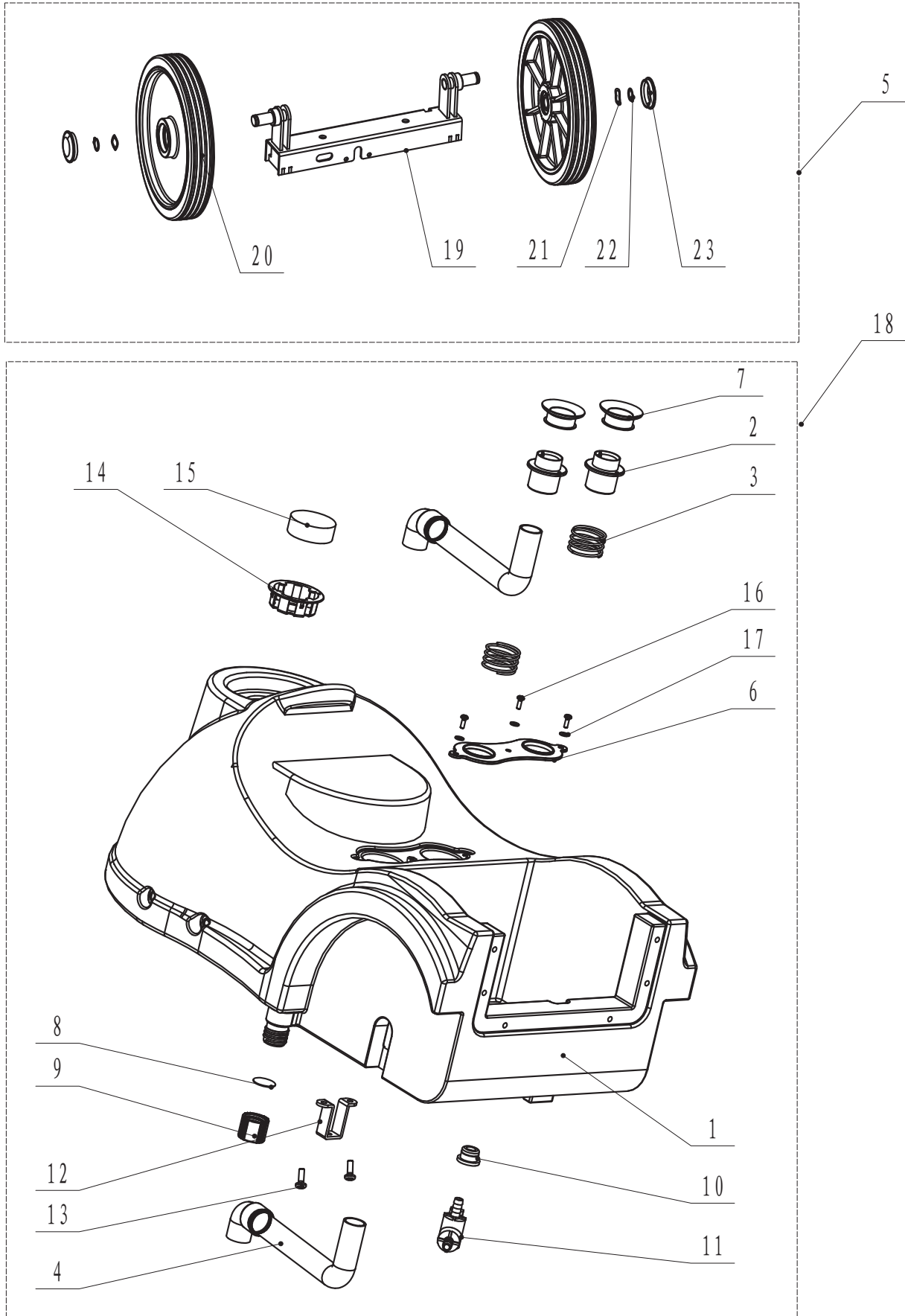
COMPLETE ASSEMBLY



COMPLETE ASSEMBLY

Item	Ref. No.	Qty	Description	Item	Ref. No.	Qty	Description
1	VF89100-CL	1	Kit, Solution Tank	34	VF89052	1	Cover, Waterproof
2	VF89018-CL	1	Label, Solution Tank	35	VF89037	1	Plug, Rubber
3	VF89200	1	Kit, Axle Wheel	36	VF89035	6	Cover Nut, M6
4	VF14251	2	Bolt, M8x30, Hex Head	37	VF89016	1	Label, Charge Display
5	VF13514A	5	Washer, D8x1xd16.5	38	VF89012	2	Handle Grip, Rubber
6	VF14516	4	Nut, Nylon Insert, M8	39	VF89017-CL	1	Label, Rear Housing
7	VF89831	1	Kit, Motor Mounting Plate	40	VF89007-1	1	Cable, Squeegee Lift
8	VF85698	2	Hex Socket Screw, M8x55	41	VF89008	1	Handle, Squeegee Lift
9	VF89030	2	Bushing	42	VV20509	3	Ph Screw, M5x10
10	VF14258	1	Hex Socket Screw, M8x40	43	VF89010	2	Rotate Axle, Squeegee Lift Cable
11	VF14503	1	Nut, M8	44	VF89011	1	Axle, Squeegee Lift Cable
12	VF89400	1	Kit, Skirt Assembly	45	VF89009A	2	Rotate Axle, Squeegee Lift Cable
13	VV13664	15	Washer, D4x1xd8	46	VF89056	1	Solenoid Valve, 24v
14	VF13491	16	Ph Screw, M4x12	47	VF14514	1	Nut, Nylon Insert, M5
15	VF89821	1	Kit, Squeegee	48	VF89033	1	Hose
16	VF89029A	1	Hose, Connect Squeegee	49	VF89847	1	Pipe Si, D6xd10, 0.115m
17	VF85420	2	Thumb Screw	50	VF89848	1	Pipe Si, D4xd8, 0.115m
18	VF89600-CL	1	Kit, Handle Assembly	51	VF89846	1	Pipe Si, D6xd10, 0.45m
19	VF89001	1	Handle Block, Left	52	VF89830	1	Brush Assembly
20	VF89002	1	Handle Block, Right	52	VF89817	1	Pad Driver
21	VF89003-CAN	1	Circuit Box	53	VF85102	2	Small Clamp
22	VV60220S1	8	Hex Socket Screw, M6x15	54	VF89055	1	Rubber Plug, Charger Insert
23	VV20290	8	Washer Lock, ϕ 6	55	VF89020	1	Battery, 2-12v 35ah
24	VF13614	14	Washer, ϕ 6	56	VF89036	1	Power Wire
25	GT13027	1	Ph Screw, M5x45	57	VF89021	1	Kit, Battery Connect Line
26	VA13482	6	Washer, D5x1xd10	58	VA13473	5	Ph Screw, M4x16
27	VF89004	1	Latch, Recovery Tank	59	VF89827	1	Kit, Recovery Tank
28	VF89005	1	Spring, Press	60	VF85141	2	Big Clamp
29	VF89023US	1	Kit, Charger	61	VA13472	2	Ph Screw, M4x8
30	VF89025-1	1	Plate, Main Control	62	VS00001	1	Support,Left
31	VF89006	1	Circuit Cover	63	VS00002	1	Support,Right
32	VF14301	2	Screw, M4x12	64	GT13054	2	Screw, M5x12
33	VF89034	4	Hex Bolt M6x50	65	VV13650A	11	Screw, M4x10
33	VF89034A	2	Hex Bolt M6x55	66	VF14214	1	Screw, M5x8
				67	VF89015	6	Plate
				68	VF99010C	2	Circuit Breaker

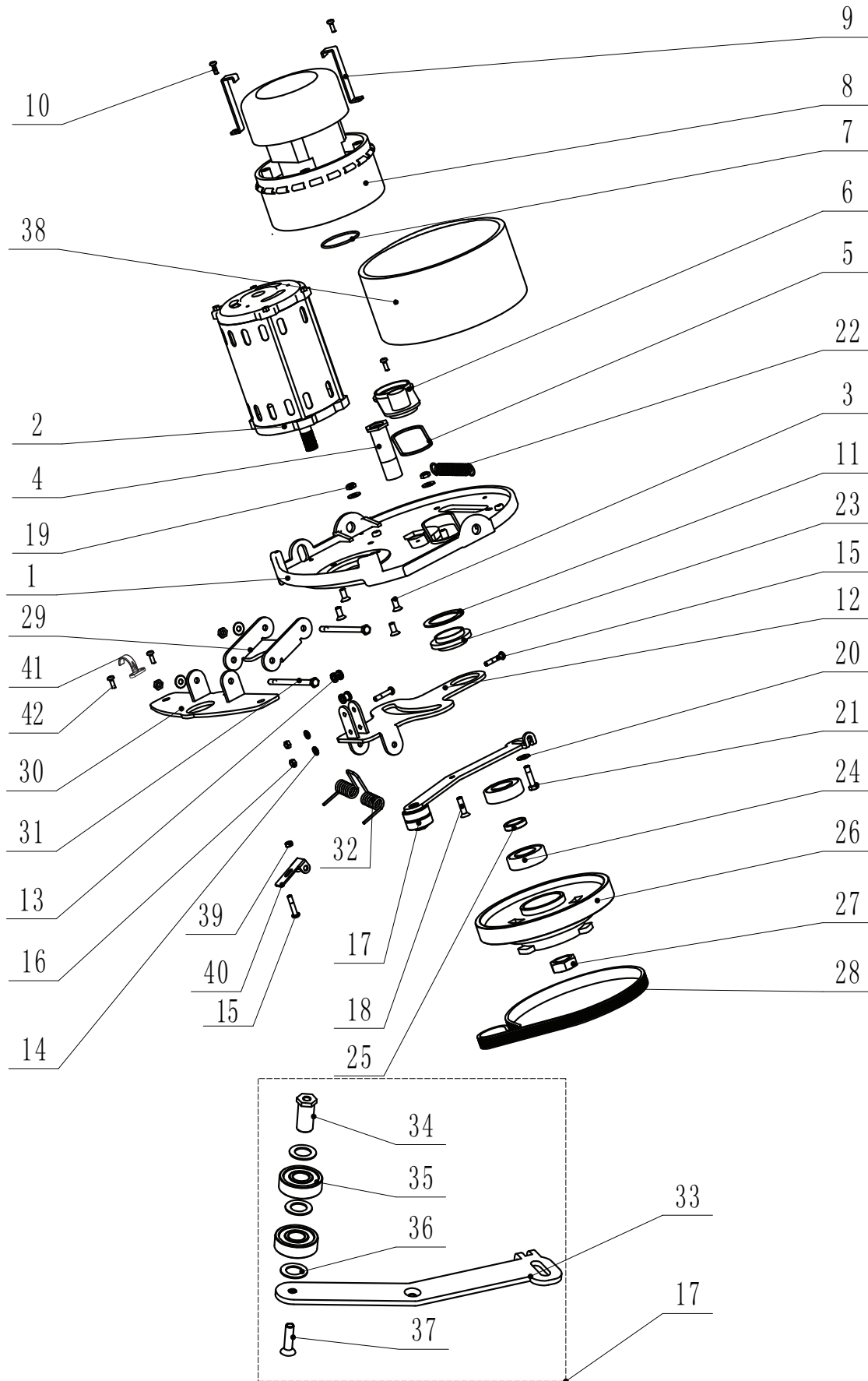
SOLUTION TANK ASSEMBLY



SOLUTION TANK ASSEMBLY

Item	Ref. No.	Qty	Description
1	VF89101-CL	1	Solution Tank
2	VF89102	2	Hose, Connect Vacuum
3	VF89103	2	Spring, Press
4	VF89104	2	Vacuum Hose
5	VF89200	1	Kit, Wheel Axle
6	VF89106	1	Plastic Plate, Hose Limit
7	VF89107	2	Rubber Seal
8	VF89115	1	Gasket
9	VF89110	1	Cap, Drain
10	VF85302	1	Rubber Bushing
11	VF89091	1	Solution Tap
12	VF89112	1	Cable Bracket
13	VF14200	2	Ph Screw, M6x15
14	VF89113	1	Seat, Inlet, Fresh Water Tank
15	VF89114	1	Filter, Inlet, Fresh Water Tank
16	VF13491	3	Ph Screw, M4x12
17	VV13664	3	Washer ϕ 4
18	VF89100-CL	1	Kit, Solution Tank
19	VF89201	1	Wheel Axle
20	VF89202	2	Drive Wheel, 10"
21	VF14563	2	Washer, Wave
22	VF14552	2	Snap Spring
23	VF89202-3	2	Cap, Wheel

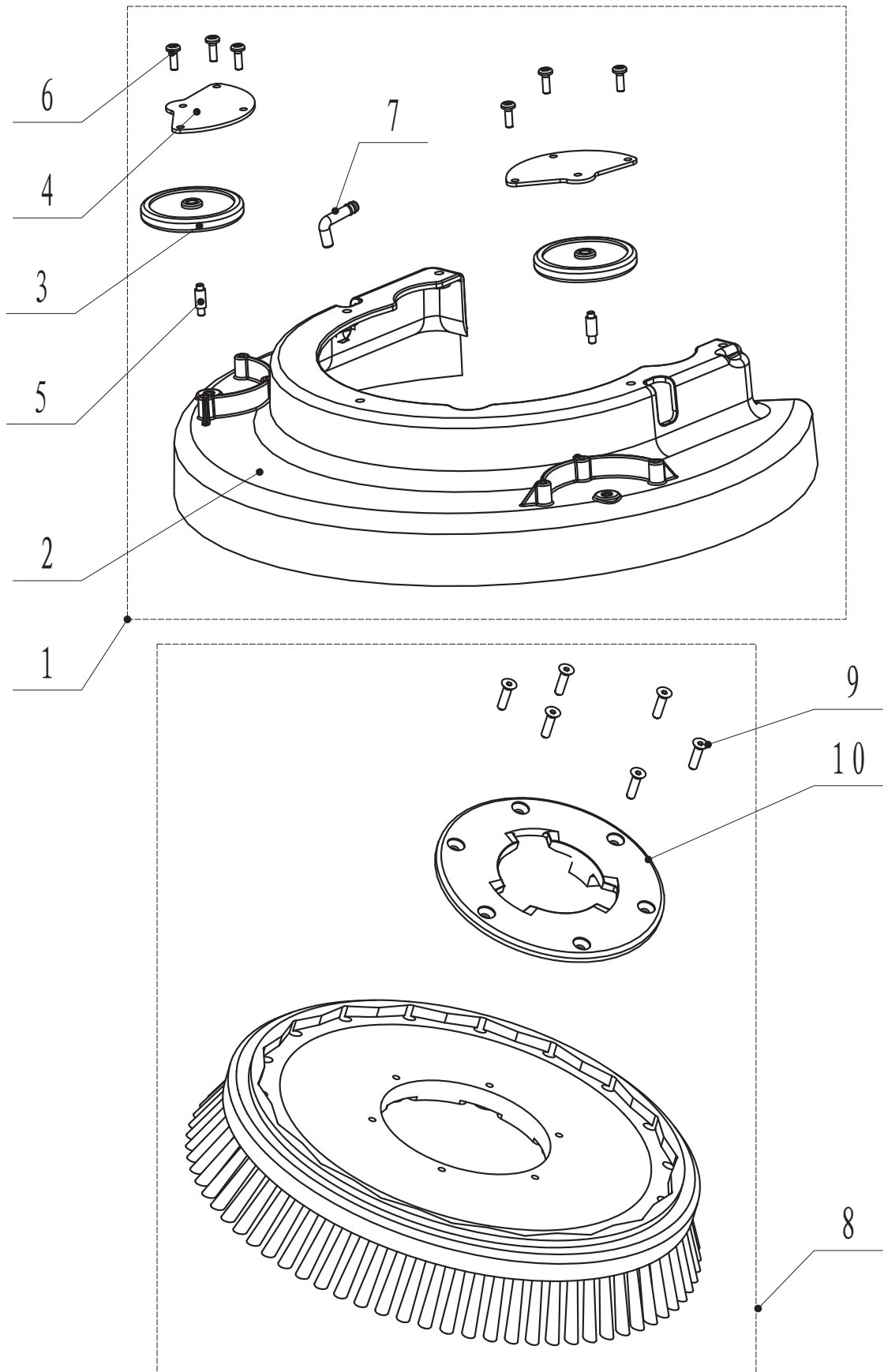
BRUSH DECK ASSEMBLY



BRUSH DECK ASSEMBLY

Item	Ref. No.	Qty	Description
1	VF89301	1	Plate, Motor Mount
2	VF89302	1	Brush Motor Assembly
3	VF89303	4	Screw, M6x14
4	VF89304	1	Bolt, Dirve Belt
5	VF89305	1	O-Ring, Big
6	VF89306	1	Sealing Cover, Vacuum
7	VF89307	1	O-Ring, Small
8	VF89309	1	Kit, Vacuum Motor
9	VF89310	2	Bracket, Vac Motor
10	VF13491	3	Ph Screw, M4x12
11	VF89311	1	Washer, Thin
12	VF89312	1	Plate, Squeegee Rotate
13	VF89313	2	Guide Wheel, Squeegee
14	VA13482	2	Washer ϕ 5
15	VA13475	3	Ph Screw, M5x25
16	VF14514	2	Nut, Nylon Insert, M5
17	VF89314	1	Kit, Belt Adjustment
18	VF14223	1	Screw, M6x25
19	VF14506	4	Nut, Nylon Insert, M6
20	VF13614	3	Washer, ϕ 6
21	VV20058	1	Bolt, M6x25, Hex
22	VF89318	1	Spring
23	VF89319	1	Bushing, Squeegee Rotate
24	ZD45425	2	Bearing, 6204
25	VF89320	1	Bushing
26	VF89321	1	Drive Hub
27	VF89322	1	Nut, M20
28	VF89323	1	Drive Belt, Pj270
29	VF89324	1	Plate, Squeegee Lift
30	VF89325	1	Plate, Squeegee Bracket
31	VF89326	2	Rotate Bolt, Squeegee Lift
32	VF89823	1	Torsion Spring
33	VF89315	1	Plate, Belt Adjustment
34	VF89316	1	Bolt, Bearing
35	VF51126A	2	Bearing, 6201
36	VF89317	3	Washer, D12.2xd20x1
37	GT13084	1	Screw, M6x20
38	VF89308	1	Silencer Sponge
39	VV13633	1	Nut, M5
40	VF89337	1	Pressure Adjustment Plate
41	VF89092	1	Clamp Drain Hose
42	VV13667	2	Screw, M4x8

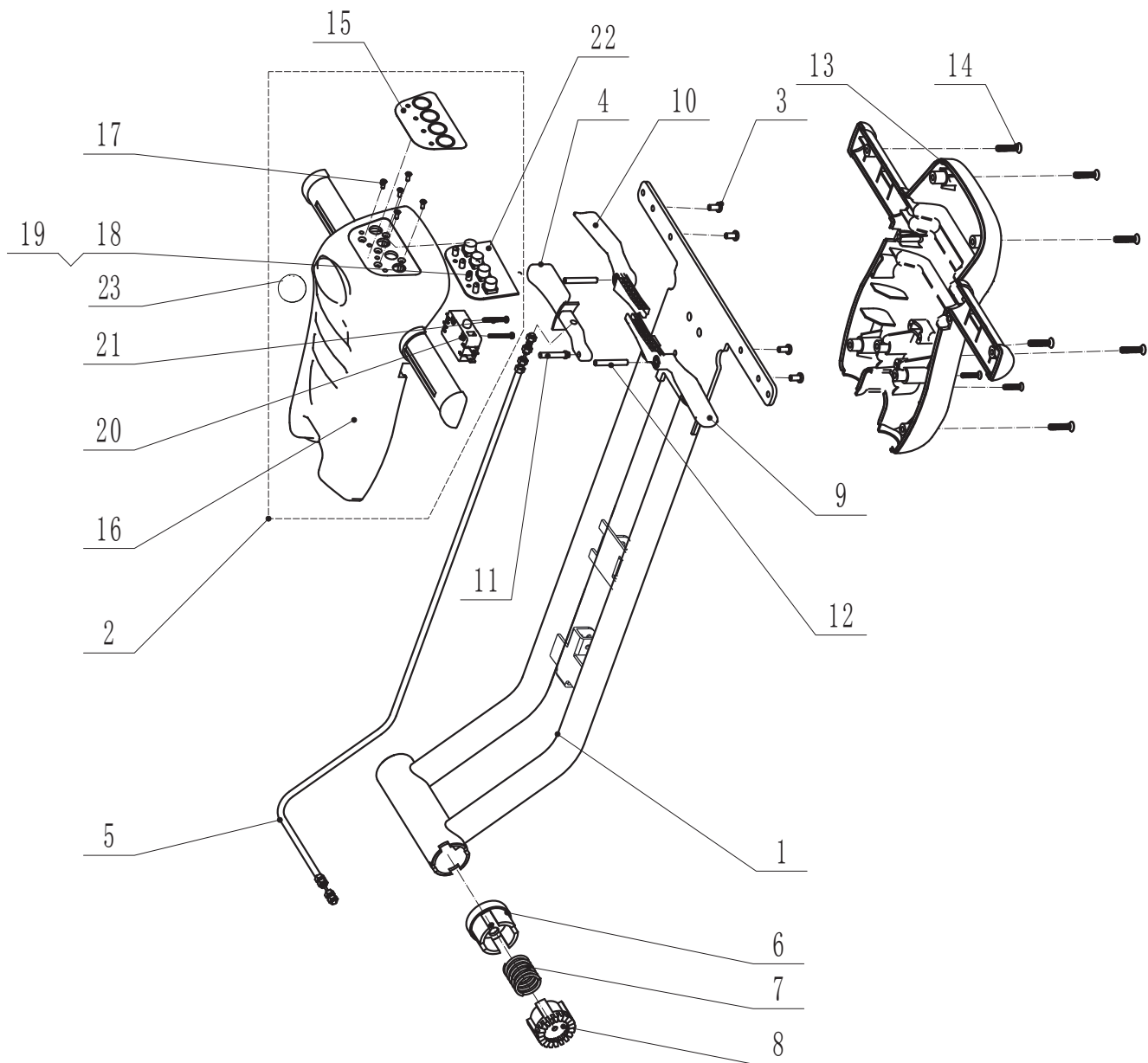
BRUSH SKIRT & BRUSH



BRUSH SKIRT & BRUSH

Item	Ref. No.	Qty	Description
1	VF89400	1	Brush Skirt Assembly
2	VF89401	1	Brush Skirt
3	VF89402	2	Wheel, Bumper
4	VF89403	2	Cover, Wheel
5	VF89404	2	Shaft
6	VF14401	6	Screw, St4x10
7	VF89838	1	Elbow
8	VF89830	1	Brush Assembly
8	VF89817	1	Pad Driver Assembly
9	MF-VF002-4A	6	Screw, St6.5x25
10	VF89803	1	Brush Hub

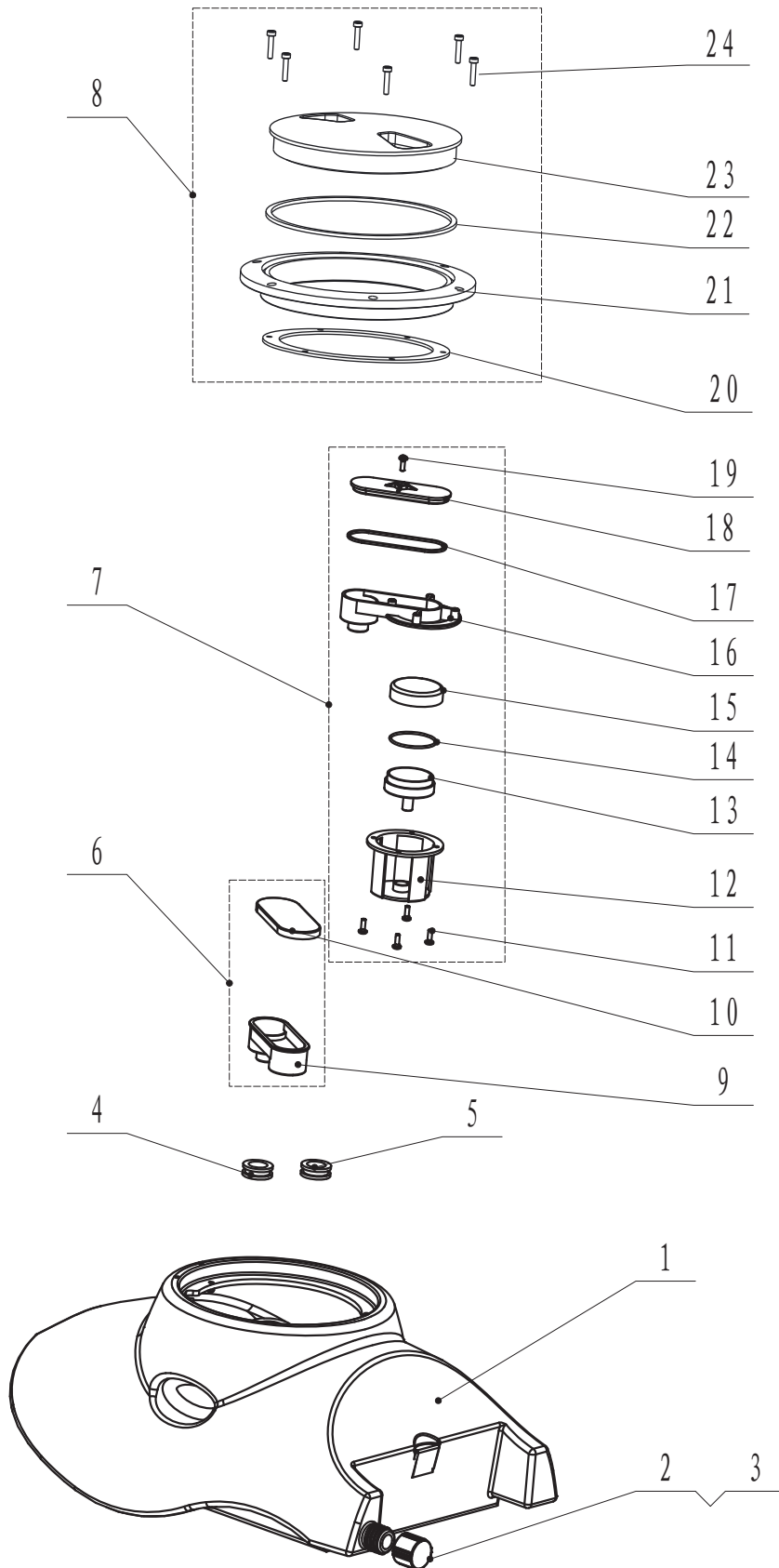
HANDLE CONTROL ASSEMBLY



HANDLE CONTROL ASSEMBLY

Item	Ref. No.	Qty	Description
1	VF89601A	1	Handle Tube Assy
2	VF89607-CL	1	Kit, Front Control Housing
3	80405A	4	Ph Screw, M5x12
4	VF89610	1	Trigger, Handle Adjustment
5	VF89611	1	Cable, Handle Adjustment
6	VF89612	1	Bushing, Guide Gear
7	VF89613	1	Spring, Handle Gear
8	VF89614	1	Gear, Handle Adjustment
9	VF89615	1	Trigger, Left
10	VF89616	1	Trigger, Right
11	VF89617	1	Pin, Handle Adjustment
12	VF89621	2	Pin, Trigger
13	VF89618-CAN	1	Control Housing, Rear
14	VF80407A	8	Ph Screw ,M5x25
15	VF89619-CL	1	Label, Switch
16	VF89608-CAN	1	Control Housing, Front
17	33005101	5	Ph Screw, M3x8
18	VF89622	5	Bolt, Insulation, M3x15
19	VV13617	5	Nut, M3
20	VF40263A	1	Switch
21	VF14244	2	Ph Screw, M3x20
22	VF89025-2	1	Circuit Board
23	VF89017-CL	1	Label, Control Housing

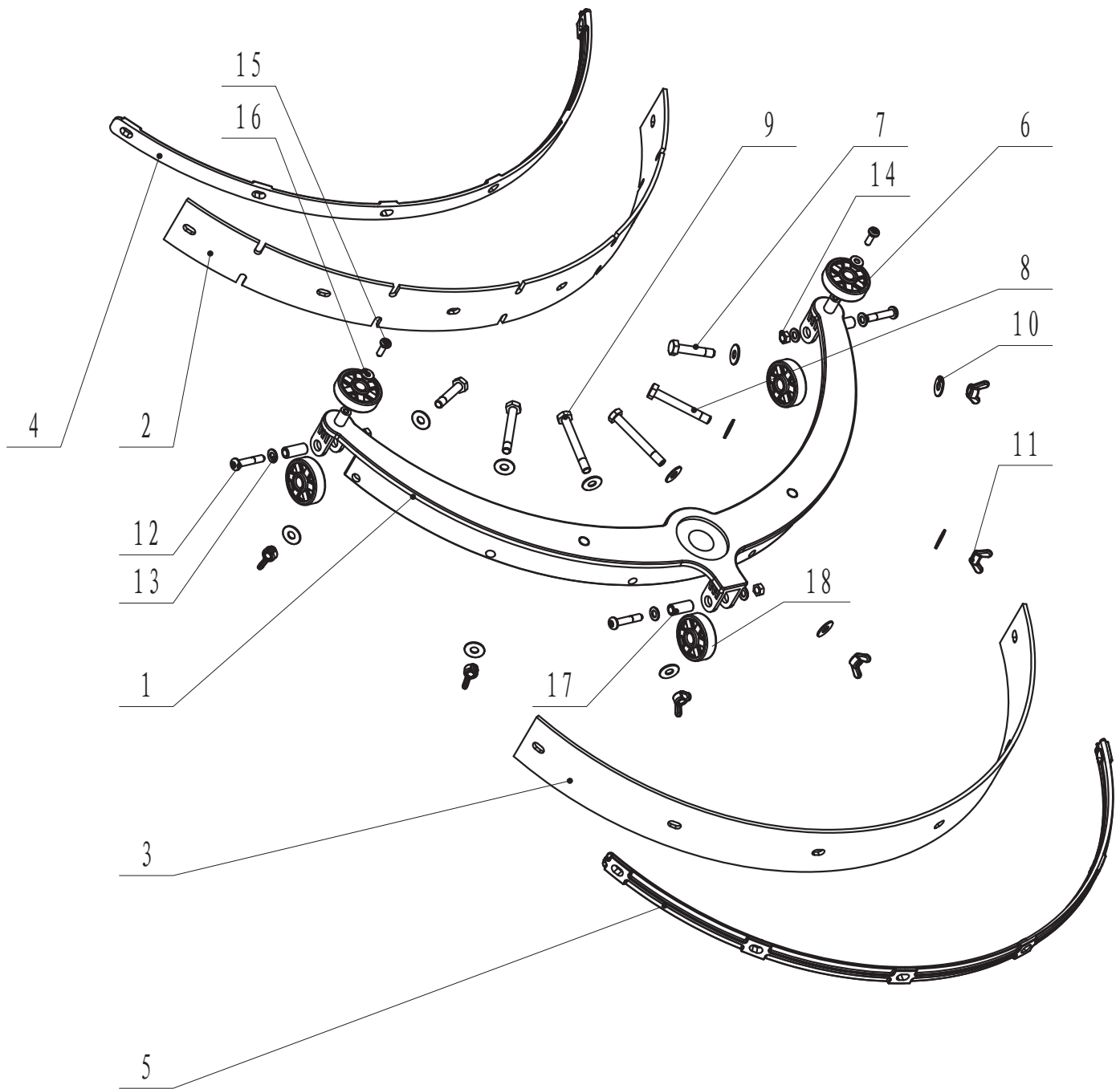
RECOVERY TANK ASSEMBLY



RECOVERY TANK ASSEMBLY

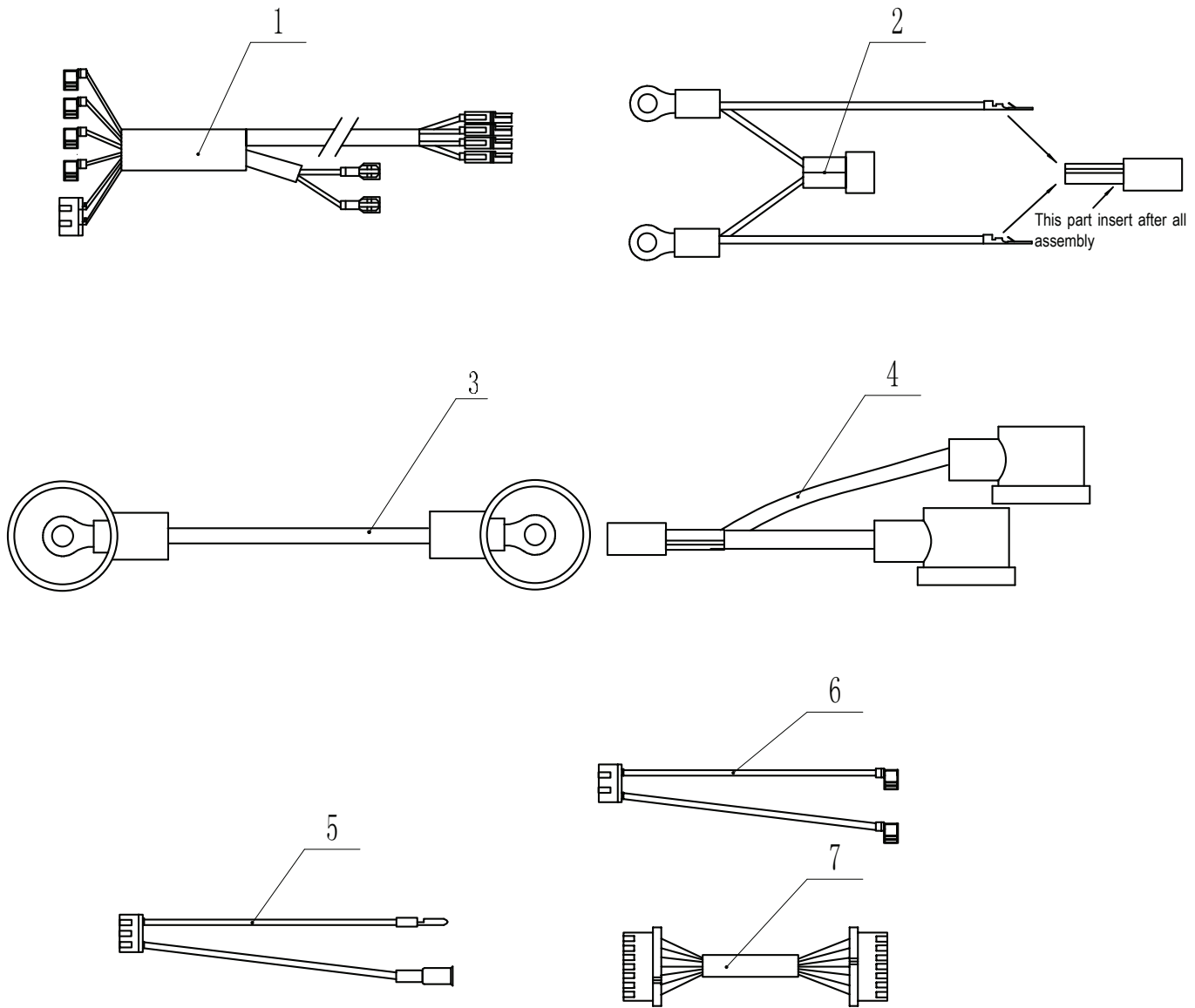
Item	Ref. No.	Qty	Description
1	VF89701	1	Recovery Tank
2	VF89115	1	Gasket
3	VF89110	1	Cap, Drain
4	VF89810	1	Rubber Bushing, Tank
5	VF89811	1	Rubber Bushing, Tank, Grey
6	VF89828	1	Kit, Squeegee Suction
7	VF89829	1	Kit, Squeegee Vaccum
8	VF89716A	1	Kit, Recovery Tank Cover
9	VF89813	1	Base, Outlet
10	VF89712	1	Cover, Rubber
11	VA50523	4	Screw, St4x8
12	VF89709	1	Guide Base, Plug Vacuum
13	VF89711	1	Plug, Base
14	VF89712	1	O-Ring, Plug
15	VF89710	1	Plug, Cover
16	VF89814	1	Base, Vacuum
17	VF89705	1	O-Ring
18	VF89706	1	Cover, Vacuum
19	VA13477	2	Screw, St4x15
20	VF89077	1	Seal, Lid
21	VF89079	1	Seat,For Lid
22	VF89078	1	Seal, Lid
23	VV96001S	1	Lid, Recovery Tank
24	VF89080	6	Screw, M4x12

SQUEEGEE ASSEMBLY



SQUEEGEE ASSEMBLY

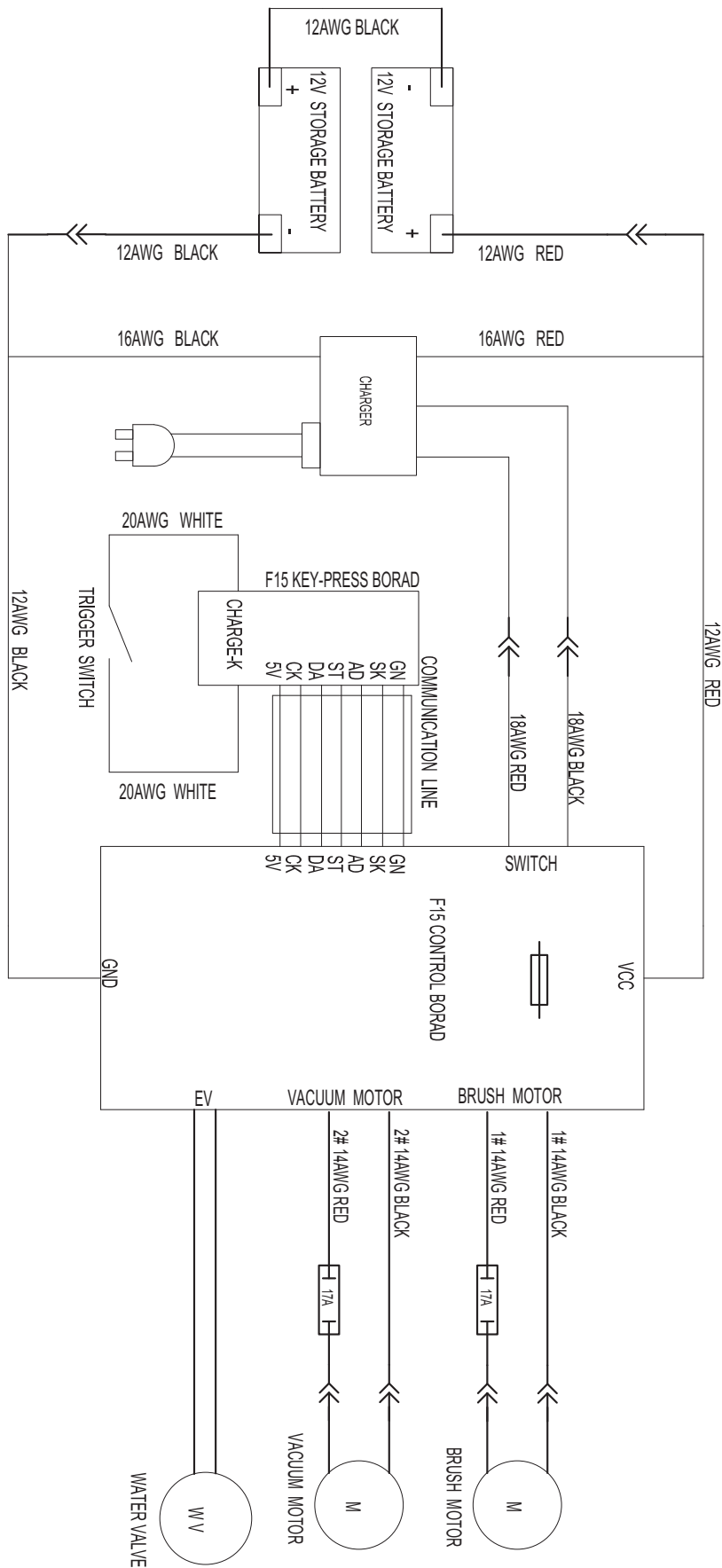
Item	Ref. No.	Qty	Description
1	VF89815	1	Squeegee Bracket
2	VF89807	1	Squeegee Blade, Front
2	VF89807-PU	1	Squeegee Blade, Front (Pu - Optional)
3	VF89808	1	Squeegee Blade, Rear
3	VF89808-PU	1	Squeegee Blade, Rear (Pu - Optional)
4	VF89504	1	Strap, Squeegee Front
5	VF89505	1	Strap, Squeegee Rear
6	VF89506	2	Wheel, Squeegee
7	VA13479	2	Bolt, M6x30, Hex Stainless
8	VF89507	2	Bolt, M6x45, Hex Stainless
9	VF14264	2	Bolt, M6x50, Hex Stainless
10	VF13614	12	Washer, D6.3xd12.6x1.2, Stainless
11	VF89509	6	Nut, Thumb, M6
12	80398A	3	Screw, M5x35
13	VA13482	6	Washer, D5xd10x1.0, Stainless
14	VF14514	3	Nut, Nylon Insert, M5
15	VF13491	2	Ph Screw, M4x12
16	VV13664	2	Washer, D4xd12x1mm, Stainless
17	VF89508	3	Bushing
18	VF89809	3	Wheel, Squeegee



ELECTRICAL

Item	Ref. No.	Qty	Description
1	VF89026-1	1	Motor Wire
2	VF89022-2	1	Main Power Wire
3	VF89021	1	Battery Connect Wire
4	VF89036-1	1	Power Wire
5	VF89024	1	Charger Input Wire
6	VF89620	1	Kit, 4-Leg Switch
7	VF89025-3	1	Communication Wire

WIRING DIAGRAM



Clarke[®]

14600 21st Avenue North
Plymouth, MN 55447-3408

www.clarkeus.com

Phone: 800-253-0367

Fax: 800-825-2753

©2014 Nilfisk-Advance, Inc.

A Nilfisk-Advance Brand