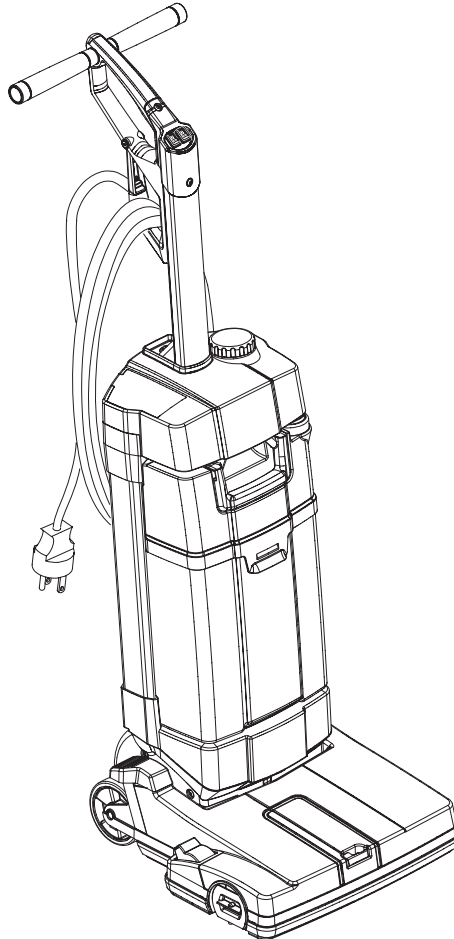
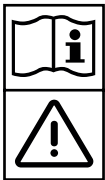


# Clarke<sup>®</sup>

## MA10 12E



Instructions For Use - Original Instructions / Instrucciones de uso / Mode d'emploi  
Model: 107408160 - 107408161



**READ THIS BOOK**

**LEA ESTE MANUAL**

**LISEZ CE MANUEL**

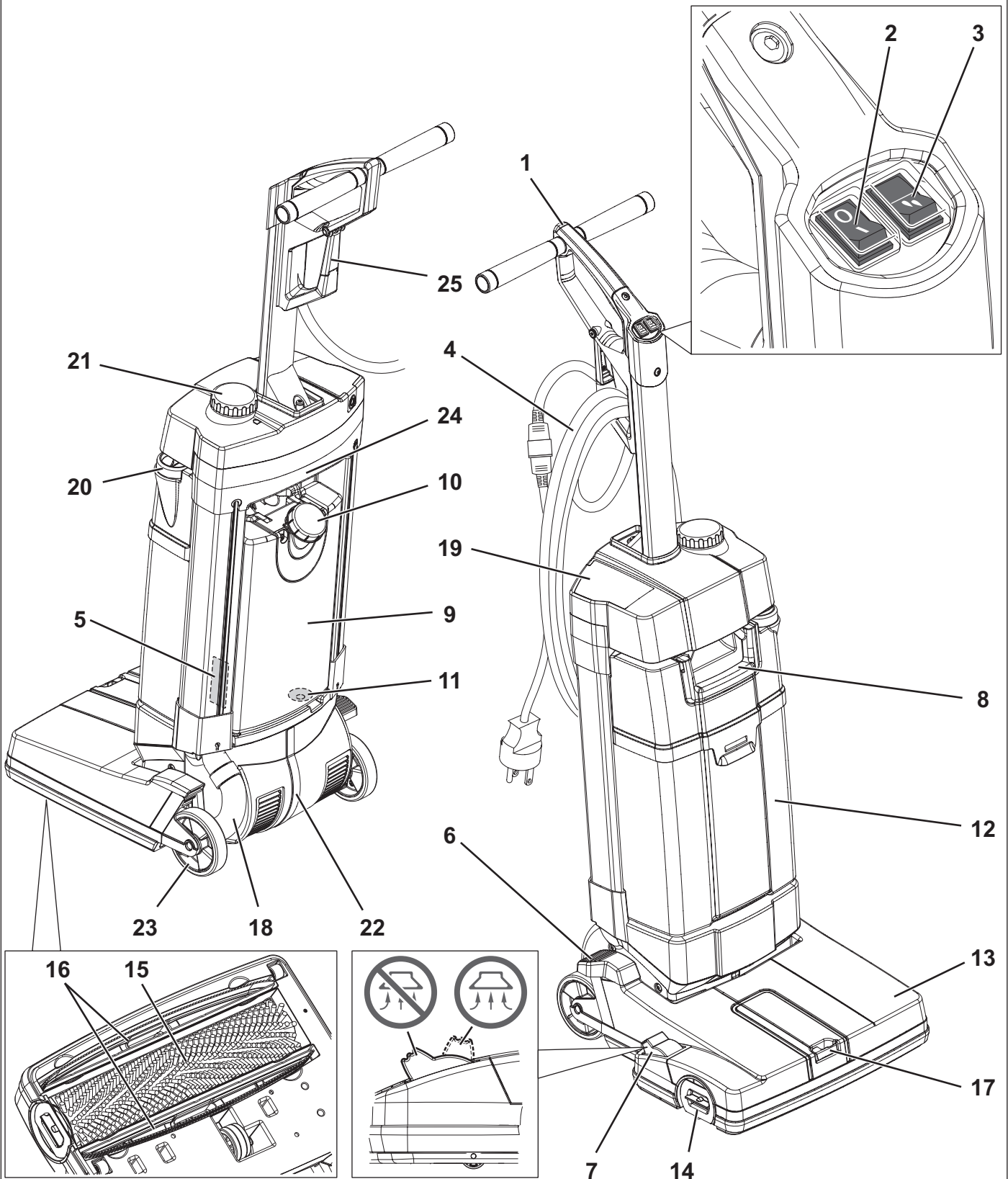
**EN** English (1 - 8)

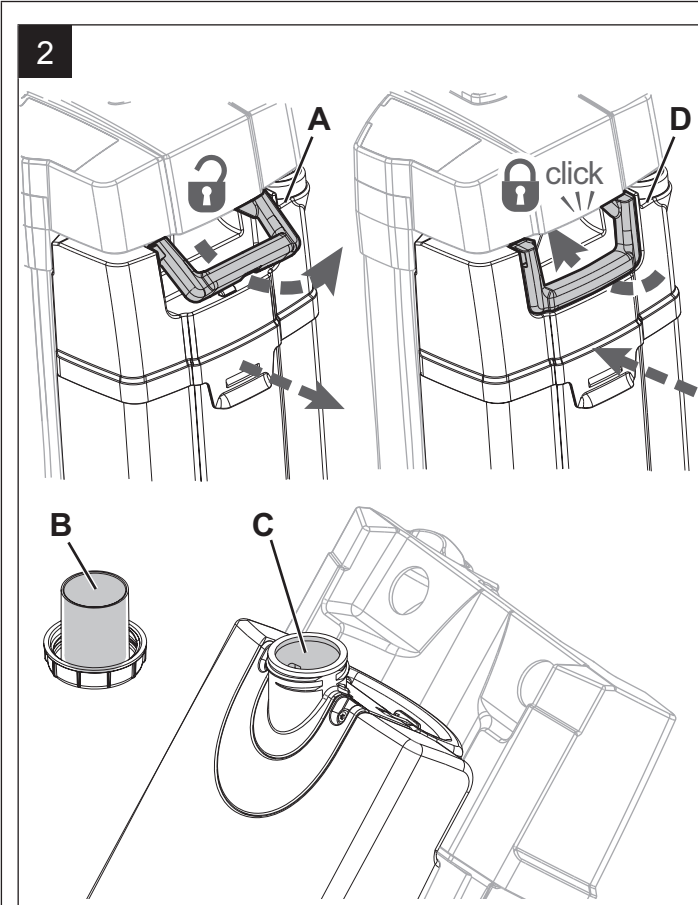
**ES** Español (9 - 16)

**FR** Français (17 - 24)

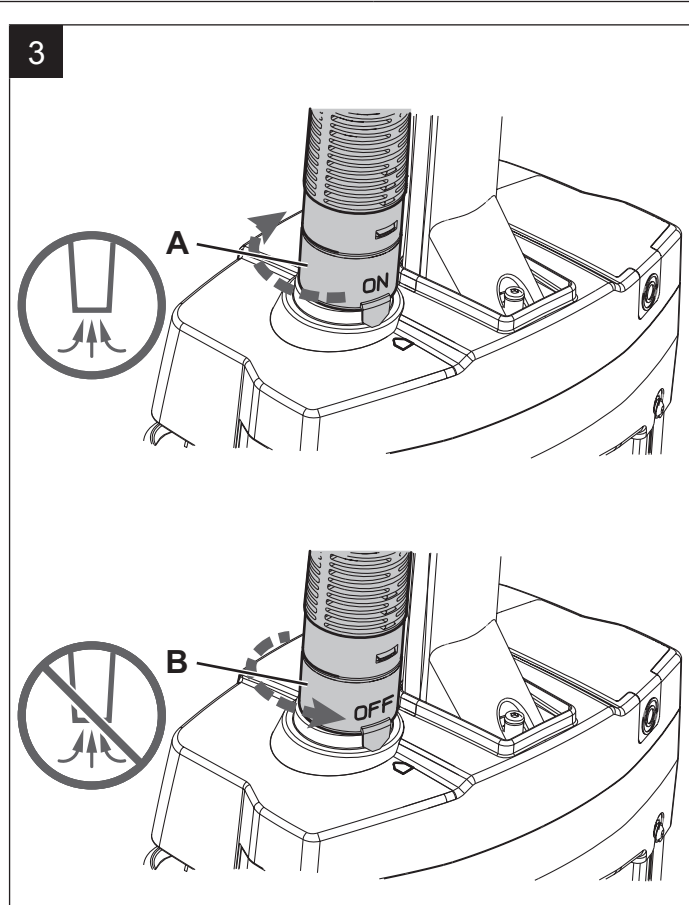
This book has important information for the use and safe operation of this machine. Failure to read this book prior to operating or attempting any service or maintenance procedure to your Clarke machine could result in injury to you or to other personnel; damage to the machine or to other property could occur as well. You must have training in the operation of this machine before using it. If your operator(s) cannot read this manual, have it explained fully before attempting to operate this machine.

All directions given in this book are as seen from the operator's position behind the machine.

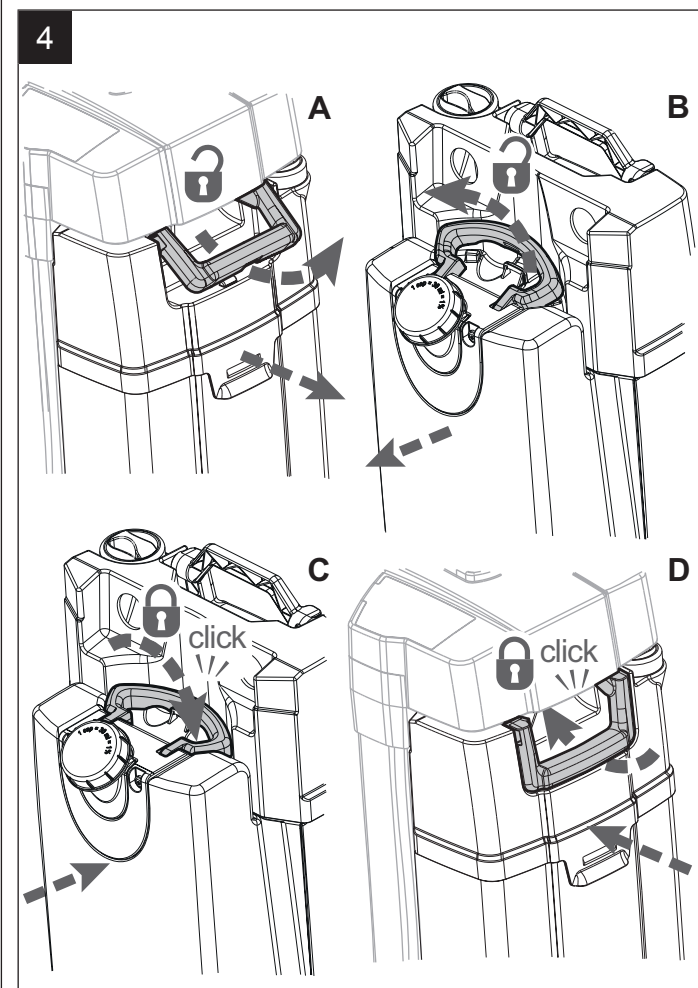




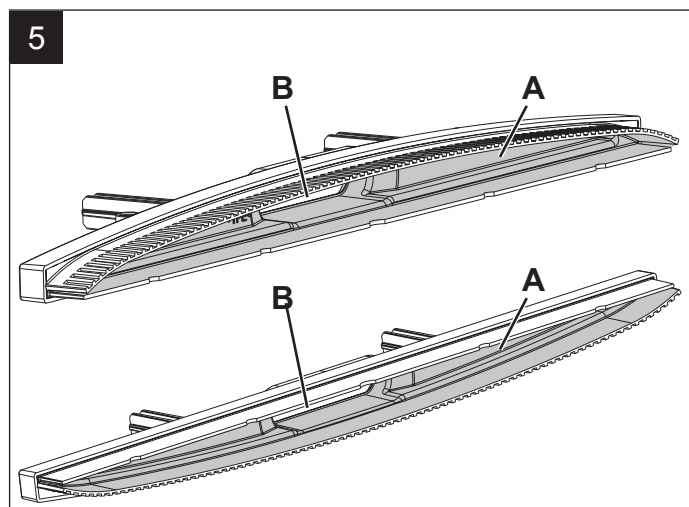
P100881



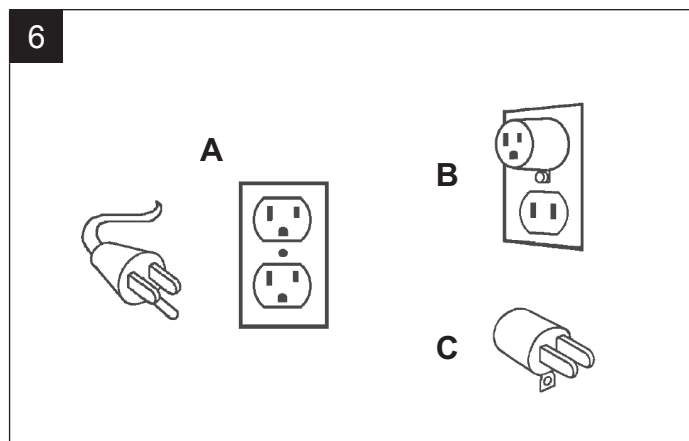
P100882



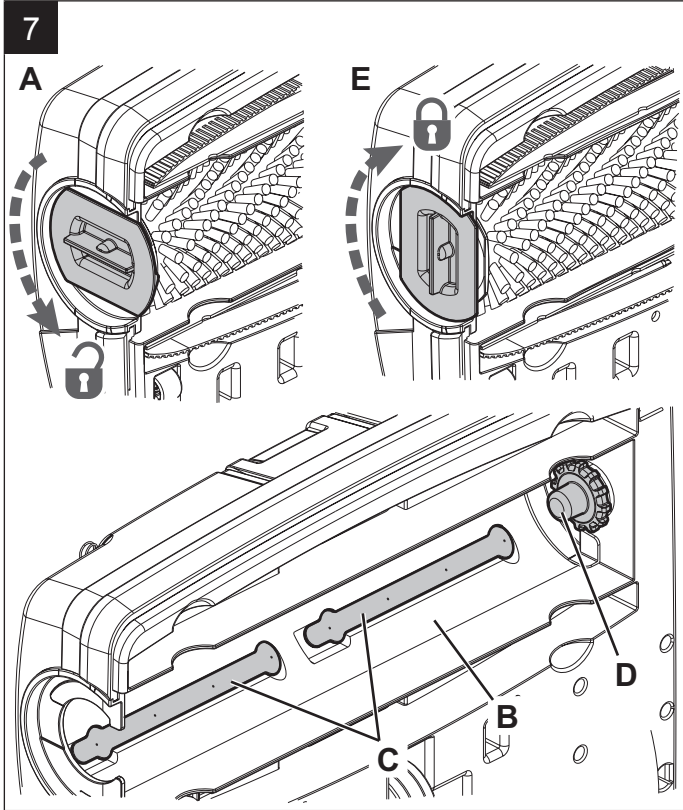
P100883



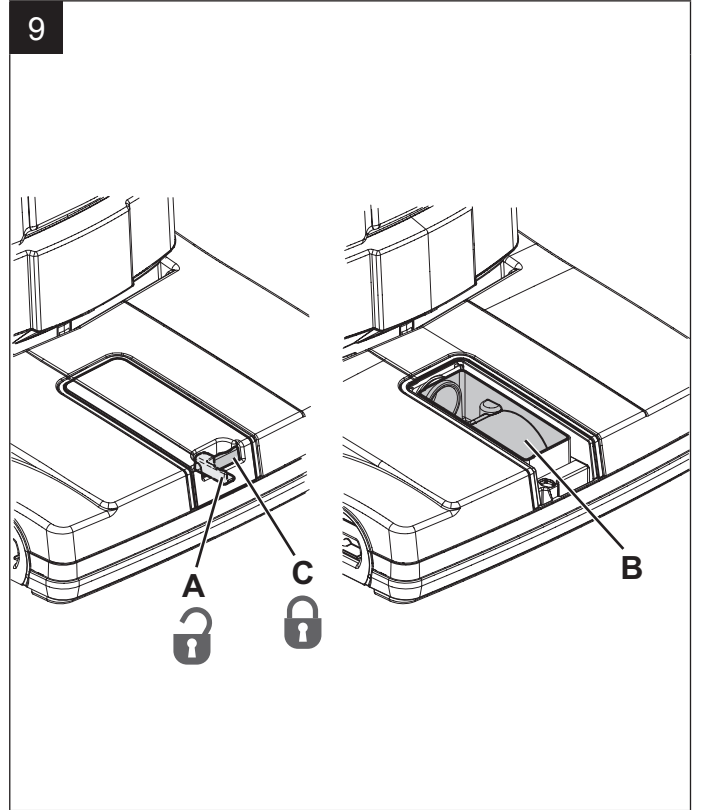
P100884



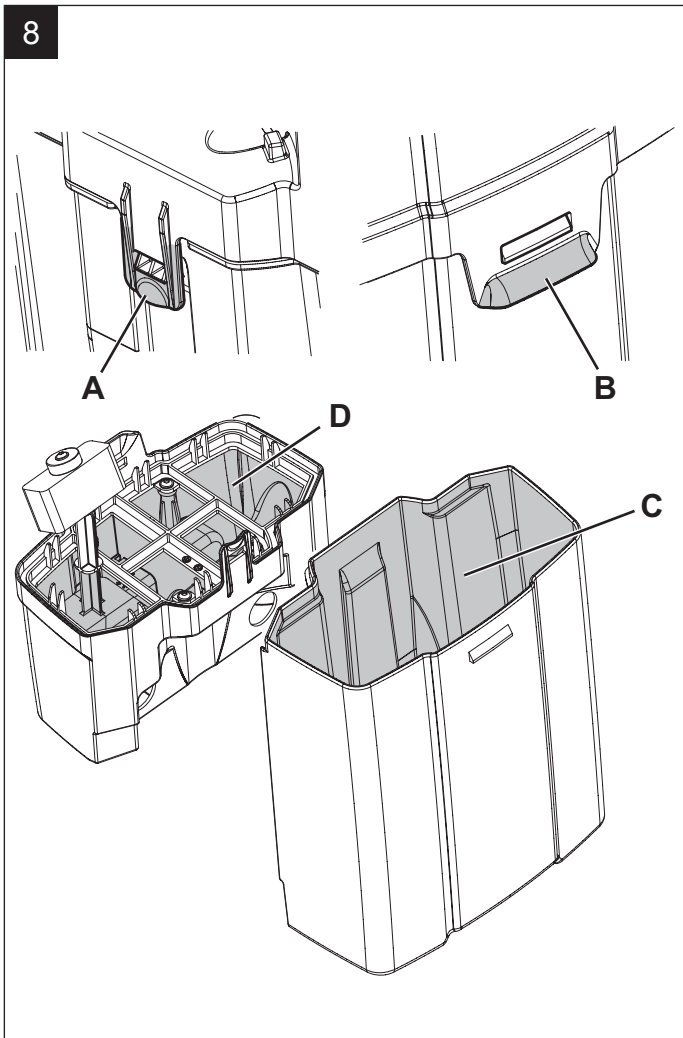
P100884a



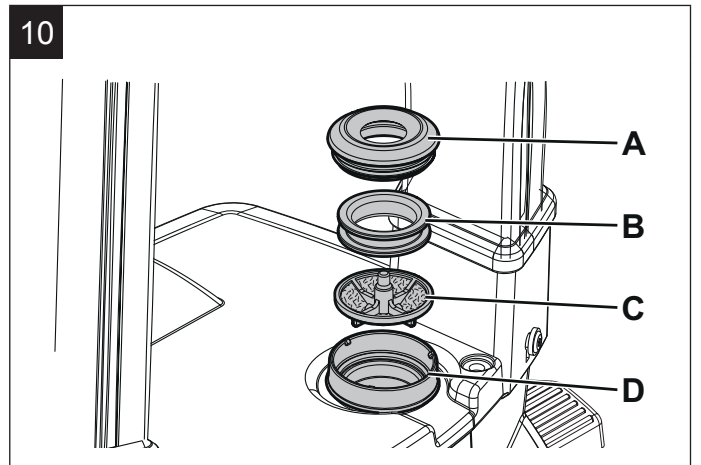
P100885



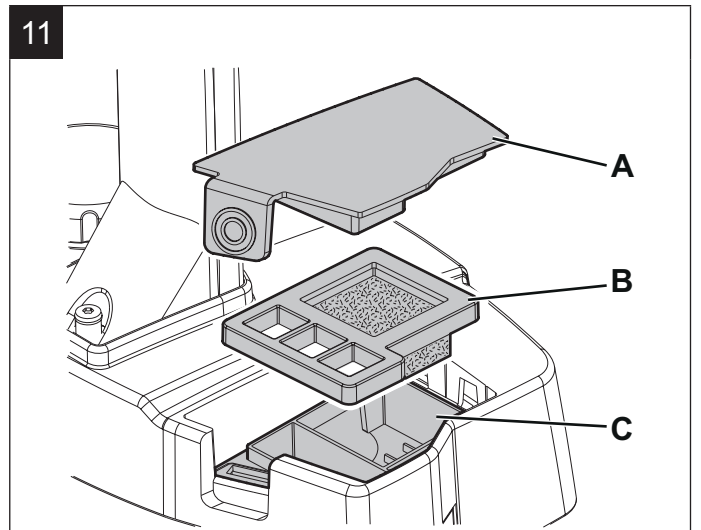
P100886



P100887



P100888



P100889



## Electronic Service Manuals

This electronic document is provided as a service to our customers. We do not create the contents of the information contained in this document. Should you have detailed questions pertaining to the information contained in this document, you may contact Michco, or the manufacturer which provided the original information in this electronic deliverable. Michco's only part in this electronic deliverable was the electronic assembly process. By providing this manual on line we are not guaranteeing parts availability.

You may contact Michco through the following methods:

Phone (517) 484-9312 or (800) 331-3339

2011 N. High St. -- Lansing, Michigan -- 48906

Fax: (517) 484-9836

Email: [CustServe@Michco.com](mailto:CustServe@Michco.com)

Web site: [www.Michco.Com](http://www.Michco.Com)

Parts Web site: [www.FloorMachineParts.Com](http://www.FloorMachineParts.Com)

Order Parts on Line at:

**[www.FloorMachineParts.Com](http://www.FloorMachineParts.Com)**

Directly to Parts & Service:

By Email: **[Shop@Michco.com](mailto:Shop@Michco.com)**

By Fax: (517) 702-2041

By Voice: Use numbers above.

**Serving the Cleaning Industry Since 1922**

Notice: All copyrighted material remains property of original owners, all trademarks are property of respective owners. Manuals are subject to Manufacturer's reproduction limitations. Originals or reproductions were provided by manufacturers through a request. We make no warranty as to the correctness of information provided in this document and you assume all risk. By placing these manuals on line we are not declaring our corporation to be an manufacturer authorized dealer or provider, please check our web site for authorized manufacturers we represent.

## TABLE OF CONTENTS

<b>INTRODUCTION</b> .....	<b>2</b>
MANUAL PURPOSE AND CONTENTS .....	2
TARGET .....	2
IDENTIFICATION DATA .....	2
OTHER REFERENCE MANUALS .....	2
SPARE PARTS AND MAINTENANCE .....	2
CHANGES AND IMPROVEMENTS .....	2
MACHINE FUNCTIONS .....	2
CONVENTIONS .....	2
<b>UNPACKING/DELIVERY</b> .....	<b>2</b>
<b>SAFETY</b> .....	<b>2</b>
VISIBLE SYMBOLS ON THE MACHINE .....	2
SYMBOLS THAT APPEAR ON THIS MANUAL .....	3
GENERAL INSTRUCTIONS .....	3
120 VAC GROUNDING INSTRUCTIONS .....	4
<b>MACHINE DESCRIPTION</b> .....	<b>4</b>
MACHINE STRUCTURE .....	4
<b>USE / OPERATION</b> .....	<b>5</b>
SOLUTION TANK FILLING .....	5
MACHINE START OPERATION (SCRUBBING/DRYING) .....	5
MACHINE STOP OPERATION .....	5
VACUUM HOSE (optional) .....	5
TANK EMPTYING .....	5
MACHINE TRANSPORT/PARKING .....	5
AFTER USING THE MACHINE .....	5
<b>MAINTENANCE</b> .....	<b>6</b>
SCHEDULED MAINTENANCE TABLE .....	6
POWER SUPPLY CABLE CHECK .....	6
SQUEEGEE BAR CLEANING .....	6
BRUSH AND BRUSH COMPARTMENT CLEANING .....	6
INSPECTION COMPARTMENT CLEANING .....	6
RECOVERY TANK CLEANING .....	6
SOLUTION FILTER CLEANING .....	7
AIR FILTER CLEANING .....	7
<b>TROUBLESHOOTING</b> .....	<b>7</b>
<b>DISPOSAL</b> .....	<b>7</b>
<b>TECHNICAL DATA</b> .....	<b>8</b>
ACCESSORIES/OPTIONS .....	8
<b>PARTS LIST</b> .....	<b>25</b>

## INTRODUCTION



**NOTE**

The numbers in brackets refer to the components shown in Machine Description chapter.

### MANUAL PURPOSE AND CONTENTS

The purpose of this Manual is to provide the operator with all necessary information to use the machine properly, in a safe and autonomous way. It contains information about technical data, safety, operation, storage, maintenance, spare parts and disposal.

Before performing any procedure on the machine, read this Manual carefully. Contact Clarke in case of doubts concerning the interpretation of the instructions and for any further information.

Keep the manual in the appropriate envelope for future use or in case of resale of the equipment.

### TARGET

This Manual is intended for operators and technicians qualified to perform the machine maintenance.

Users must not perform procedures reserved for qualified technicians. Clarke will not be answerable for damages coming from the non-observance of this prohibition.

### IDENTIFICATION DATA

The machine serial number and model name are marked on the plate (5).

Product number and year of production are marked on the same plate.

This information is useful when requiring machine spare parts. Use the following table to write down the machine identification data.

MACHINE model .....
PRODUCT code .....
MACHINE serial number .....

### OTHER REFERENCE MANUALS

- Service Manual (that can be consulted at Clarke Service Centers)
- Spare Parts List (supplied with the machine)

### SPARE PARTS AND MAINTENANCE

Any repair procedure must be performed by qualified personnel or by Clarke Service Centers.

Only original spare parts and accessories must be used. Contact Clarke for service or to order spare parts and accessories, specifying the machine model, product code and serial number.

### CHANGES AND IMPROVEMENTS

Clarke constantly improves its products and reserves the right to make changes and improvements at its discretion without being obliged to apply such benefits to the machines that were previously sold.

Any change and/or addition of accessory must be approved and performed by Clarke.

## MACHINE FUNCTIONS

This scrubber-dryer has been designed and built for commercial use and for cleaning (scrubbing and drying) smooth and compact floors.

The scrubber-dryer can be used on carpet when carpet accessories are installed.

## CONVENTIONS

Forward, backward, front, rear, left or right are intended with reference to the operator's position when in use.

## UNPACKING/DELIVERY

When the machine is delivered, check that the packing and the machine were not damaged during transportation.

In case of visible damages, keep the packing and have it checked by the carrier that delivered it. Call the carrier immediately to fill in a damage claim.



**CAUTION!**

**After unpacking, carefully assemble the machine according to the instructions sheet inside the packaging.**

Please check that the following items have been supplied with the machine:

- Technical documents:
  - Scrubber-dryer Instructions for use Manual
  - Scrubber-dryer Spare Parts List



**WARNING!**

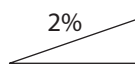
**The Products sold with this Manual contain or may contain chemicals that are known to certain governments (such as the State of California, as identified in its Proposition 65 Regulatory Warning Law) to cause cancer, birth defects or other reproductive harm. In certain locations (including the State of California) purchasers of these Products that place them in service at an employment job site or a publicly accessible space are required by regulation to make certain notices, warnings or disclosures regarding the chemicals that are or may be contained in the Products at or about such work sites. It is the purchaser's responsibility to know the content of, and to comply with, any laws and regulations relating to the use of these Products in such environments. The Manufacturer disclaims any responsibility to advise purchasers of any specific requirements that may be applicable to the use of the Products in such environments.**

## SAFETY

The following symbols indicate potentially dangerous situations. Always read this information carefully and take all necessary precautions to safeguard people and property.

The operator's cooperation is essential in order to prevent injury. No accident prevention program is effective without the total cooperation of the person responsible for the machine operation. Most of the accidents are caused by failure to comply with the simplest rules for exercising prudence.

### VISIBLE SYMBOLS ON THE MACHINE



**WARNING!**

**Do not use the machine on slopes with a gradient exceeding the specification.**

## SYMBOLS THAT APPEAR ON THIS MANUAL



### DANGER!

*It indicates a dangerous situation with risk of death for the operator.*



### WARNING!

*It indicates a potential risk of injury for people.*



### CAUTION!

*It indicates a caution or a remark related to important or useful functions. Pay careful attention to the paragraphs marked by this symbol.*



### NOTE

*It indicates a remark related to important or useful functions.*



### CONSULTATION

*It indicates the necessity to refer to the Instructions for use Manual before performing any procedure.*

## GENERAL INSTRUCTIONS

Specific warnings and cautions to inform about potential damages to people and machine are shown below.



### DANGER!

- Before performing any maintenance, repair, cleaning or replacement procedure disconnect the plug from the electrical mains.
- Do not wear jewels when working near electrical components.
- Do not operate the machine near toxic, dangerous, flammable and/or explosive powders, liquids or vapours: This machine is not suitable for collecting dangerous powders.



### WARNING!

- This machine must be used by properly trained operators only.
- Carefully read all the instructions before performing any maintenance/repair procedure.
- Improper connection can cause electric shock. Connect the machine to a properly earthed mains supply.
- Do not tamper with the power supply cable plug. If the power supply cable plug cannot be connected to the outlet, have an outlet installed by a qualified technician, according to the law in force.
- Before connecting the power supply plug to the electrical mains, check that frequency and voltage, shown on the machine serial number plate, match the electrical mains voltage.
- Do not unplug the machine by pulling the supply cable. To unplug, grasp the plug, not the cable.
- Do not handle the plug or the machine with wet hands.
- Turn off all controls before unplugging.
- Regularly check the power supply cable for damages, cuts, cracks and wear. If necessary, replace it.
- If the power supply cable is damaged, it must be replaced by the Manufacturer or by an authorised Service Centre.
- Do not pull or carry the machine by the power supply cable and never use the power supply cable as a handle. Do not close a door on the power supply cable, or pull the power supply cable around sharp edges or corners. Do not run the machine on the power supply cable. The rotating brush must not come into contact with the power supply cable.
- Keep the supply cable away from heated surfaces.
- To reduce the risk of fire, electric shock, or injury, do not leave the machine unattended when it is plugged in. Disconnect the machine from the electrical mains when not in use and before performing maintenance procedures.
- Not for outdoor use. Always protect the machine against the sun rays and wet conditions. This machine must be stored indoor.
- Before using the machine, close all doors and/or covers as shown in the Instructions for use Manual.
- EU countries: This appliance can be used by children aged from 8 years and above and persons with reduced physical, sensory or mental capabilities or lack of experience and knowledge if they have been given supervision or instruction concerning use of the appliance in a safe way and understand the hazards involved. Children shall not play with the appliance. Cleaning and user maintenance shall not be made by children without supervision.
- Non-EU countries: This machine is not intended for use by persons (including children) with reduced physical, sensory or mental capabilities, or lack of experience and knowledge.
- Close attention is necessary when used near children.
- Use only as shown in this Manual. Use only Clarke's recommended accessories.
- Check the machine carefully before each use, always check that all the components have been assembled before use. If the machine is not perfectly assembled it can cause damages to people and properties.
- Take all necessary precautions to prevent hair, jewels and loose clothes from being caught by the machine moving parts.
- Do not use the machine on incline.
- Do not use the machine on slopes with a gradient exceeding the specification.
- Do not use the machine in particularly dusty areas.
- Use the machine only where a proper lighting is provided.
- While using this machine, take care not to cause damage to people or objects.
- Do not bump into shelves or scaffoldings, especially where there is a risk of falling objects.
- The machine working temperature must be between 32 °F and 104 °F (0 °C and +40 °C).
- The machine storage temperature must be between 32 °F and 104 °F (0 °C and +40 °C).
- The humidity must be between 30 % and 95 %.
- When using floor cleaning detergents, follow the instructions on the labels of the detergent bottles.
- To handle floor cleaning detergents, wear suitable gloves and protections.
- Do not allow the brush to operate while the machine is stationary to avoid damaging the floor.
- In case of fire, use a powder fire extinguisher, not a water extinguisher.
- Do not tamper with the machine safety guards and follow the ordinary maintenance instructions scrupulously.
- Do not allow any object to enter into the openings.

- **Do not use the machine if the openings are clogged. Always keep the openings free from dust, hairs and any other foreign material which could reduce the air flow.**
- **Do not remove or modify the plates affixed to the machine.**
- **Pay attention during machine transportation when temperature is below freezing point. The water in the recovery tank or in the hoses could freeze and seriously damage the machine.**
- **Use brushes supplied with the machine or those specified in the Instructions for use Manual. Using other brushes could reduce safety.**
- **In case of machine malfunctions, ensure that these are not due to lack of maintenance. If necessary, request assistance from the authorised personnel or from an authorised Service Center.**
- **If the machine**
  - **does not work properly**
  - **is damaged**
  - **has water or foam leaks**
  - **has been left outdoors exposed to bad weather conditions**
  - **is wet or has been dropped into water**
- **turn it off immediately and contact the Clarke Service Center or a qualified technician.**
- **If parts must be replaced, require ORIGINAL spare parts from an Authorised Dealer or Retailer.**
- **To ensure machine proper and safe operation, follow the relevant scheduled maintenance table in this manual.**
- **Do not wash the machine with direct or pressurised water jets, or with corrosive substances.**
- **The machine must be disposed of properly, because of the presence of toxic-harmful materials (electronic components, etc.), which are subject to standards that require disposal in special centres (see the Disposal chapter).**

### 120 VAC GROUNDING INSTRUCTIONS

This appliance must be grounded. If it should electrically malfunction, grounding provides a path of least resistance for electric current to reduce the risk of electric shock. This appliance is equipped with a cord having an equipment-grounding conductor and grounding plug. The plug must be plugged into an appropriate outlet that is properly installed and grounded in accordance with all local codes and ordinances.



#### WARNING!

**The machine must be used with an extension power cord as follows:**

- **minimum length 15 feet**
- **type S, or ST, or SO, or STO, or STW**
- **minimum rate 300V 140/167°F (60/75°C)**



#### DANGER!

- **Improper connection of the equipment-grounding conductor can result in a risk of electric shock. Check with a qualified electrician or service person if you are in doubt as to whether the outlet is properly grounded. Do not modify the plug provided with the appliance. If it will not fit the outlet, have a proper outlet installed by a qualified electrician.**

- **This appliance is for use on a nominal 120V circuit, and has a grounding plug that looks like the plug (B, Fig. 6). A temporary adapter (B and C) may be used to connect this plug to a 2-pole receptacle (B), if a properly grounded outlet is not available. The temporary adapter should be used only until a properly grounded outlet (A) can be installed by a qualified electrician. The green-colored rigid ear, tab, or the like extending from the adapter must be connected to a permanent ground such as a properly grounded outlet box cover. Whenever the adapter is used, it must be held in place by a metal screw. Grounding adapters are not approved for use in Canada.**
- **Replace the plug if the grounding pin is damaged or broken.**
- **The Green (or Green/Yellow) wire in the cord is the grounding wire. When replacing a plug, this wire must be attached to the grounding pin only.**

**Extension cords connected to this machine should be 12 gauge, three-wire cords with three-prong plugs and outlets. DO NOT use extension cords more than 50 feet (15 m) long.**

## MACHINE DESCRIPTION

### MACHINE STRUCTURE

(Figure 1)

1. Handle
2. Start/stop switch
3. Solution switch
4. Power supply cable with connector
5. Serial number plate/technical data/conformity certification
6. Pedal for release from parking position
7. Squeegee bar lifting/lowering pedal
8. Tank coupling and transport handle
9. Solution tank
10. Solution tank filler plug
11. Solution filter
12. Recovery tank
13. Cleaning deck
14. Brush engagement/disengagement lever
15. Cylindrical brush
16. Squeegee bars
17. Inspection lid
18. Recovery water vacuum hose
19. Air filter cover
20. Recovery tank drain plug
21. Vacuum inlet plug
22. Brush/vacuum motor compartment
23. Rear wheels
24. Transport handle housing
25. Power supply cable holder

## USE / OPERATION

### SOLUTION TANK FILLING

(Figure 2)



**CAUTION!**

*Use only low-foam and non-flammable detergents, intended for automatic scrubber applications.*



**WARNING!**

*When using floor cleaning detergents, follow the instructions on the labels of the detergent bottles.*

*To handle floor cleaning detergents, wear suitable gloves and protections.*

1. Release the handle (8) and remove the tank assembly (A) from the machine.
2. Remove the solution tank filler neck plug (B).
3. Fill the solution tank (C) with water and leave a few centimetres from the edge.  
The water temperature must not exceed 40 °C.
4. To compose the solution use the measuring cup of the tank plug (B).  
The plug capacity is 30 ml, that is to say 1 % of solution diluted in the tank full of water. Always follow the dilution instructions on the label of the chemical product used to prepare the solution.
5. Install the solution tank plug.
6. Install the tank assembly on the machine body and engage it with the handle (D).



**NOTE**

*Do not run the pump more than 1 minute without water in the solution tank (9).*

### MACHINE START OPERATION (SCRUBBING/ DRYING)

1. Drive the machine to the working place by using the rear wheels and the handle (1).
2. Connect the power supply plug (4) to the electrical mains.



**WARNING!**

*Before connecting the power supply plug to the electrical mains, check that frequency and voltage, shown on the machine serial number plate, match the electrical mains voltage.*

3. Unlock the machine by using the pedal (6).
4. Lower the squeegee bars (16) with the pedal (7).
5. Press the switch (2) to start the machine.
6. Press the switch (3) to start the solution flow.
7. Move the machine with the handle (1) and start scrubbing/ drying the floor.



**CAUTION!**

*To avoid any damage to the floor surface, turn off the brush when the machine stops in one place.*

### MACHINE STOP OPERATION

1. Park the machine in upright position.
2. Turn off the machine by pressing the switch (2).
3. Disconnect the power supply cable plug (4) from the electrical mains and place it on the holder (25).
4. Lift the squeegee bars (16) with the pedal (7).

### VACUUM HOSE (optional)

(Figure 3)

1. Install the vacuum hose on the vacuum inlet (21).
2. Press the switch (2) to start the machine.
3. Turn the ring to ON (A) to start vacuuming with the supplied extension.
4. To stop vacuum and resume drying, turn the ring to OFF (B).

### TANK EMPTYING

(Figure 4)

An automatic float shut-off system turns off the vacuum system when the recovery tank (12) is full.

The vacuum system deactivation is signalled by a sudden increase in the vacuum system motor noise frequency, and the floor is not dried.

When the recovery tank (12) is full, empty it according to the following procedure.

#### Recovery tank emptying

1. Release the handle (8) and remove the tank assembly (A) from the machine.
2. Release the solution tank handle (B).
3. Remove the plug (20) and empty the recovery tank (12). Then, rinse the tank with clean water.

#### Solution tank emptying

4. Remove the plug (10) and empty the solution tank (9). Then, rinse the tank with clean water.
5. Engage the solution tank to the recovery tank (12) with the handle (C).
6. Install the tank assembly on the machine body and engage it with the handle (D).

### MACHINE TRANSPORT/PARKING

1. Perform the procedures shown in "Machine stop operation" paragraph.
2. Transport the machine in one of the following ways:
  - Grasp the handle (1) and slightly lift the machine. While holding the machine in this position, drive it to the appointed parking area.
  - Grasp the machine in the appropriate housing (24) and transport it to the appointed parking area.
3. When finishing working, remove the brush (see the procedure in Maintenance chapter).

### AFTER USING THE MACHINE

After working, before leaving the machine:

1. Perform the procedures shown in "Machine stop operation" paragraph.
2. Remove the brush as shown in Maintenance chapter.
3. Empty the tanks (12) and (9).
4. Perform the daily maintenance procedures (see the Maintenance chapter).
5. Store the machine in a clean and dry place.

## MAINTENANCE

The lifespan of the machine and its maximum operating safety are ensured by correct and regular maintenance. The following chart provides the scheduled maintenance. The intervals shown may vary according to particular working conditions.



### WARNING!

**Maintenance procedures must be performed with the machine switched off and the power supply cable plug disconnected from the electrical mains.**

**Moreover, carefully read the instructions in the Safety chapter.**

## SCHEDULED MAINTENANCE TABLE

Procedure	Daily, after using the machine	Weekly	Every six months
Squeegee bar cleaning			
Brush Cleaning			
Recovery tank cleaning			
Brush compartment and inspection compartment cleaning			
Power supply cable check			
Inspection compartment cleaning			
Squeegee bar check			
Solution filter cleaning			
Air filter cleaning			
Solution tank cleaning			
Squeegee bar replacement			

### POWER SUPPLY CABLE CHECK

- Carefully check the power supply cable (4) and the relevant plug for wear, cuts, cracks or other damages.

If the power supply cable or the relevant plug is damaged, contact the Clarke Service Center before using the machine again.

### SQUEEGEE BAR CLEANING

(Figure 5)



#### CAUTION!

**It is advisable to wear protective gloves when cleaning the squeegee bars because there can be sharp debris.**



#### NOTE

**The squeegee bars must be clean and the blades must be in good conditions in order to get a good drying.**



#### CAUTION!

**The squeegee bars are fastened to the machine with a snap system and can be easily removed.**

- Set the machine to stop position.
- Make sure that the power supply plug is disconnected from the electrical mains.
- Lower the squeegee bars (16) with the pedal (7).
- Lower the machine to reach the lower side of the cleaning deck (13).
- Remove the squeegee bars (16) by pulling outwards.
- Clean and wash the squeegee bars. In particular, clean the compartments (A) and the vacuum hole (B). Check the blades for integrity, cuts and tears; if necessary replace the squeegee bars.
- Install the squeegee bars (16) and make sure they are properly engaged.

### BRUSH AND BRUSH COMPARTMENT CLEANING

(Figure 7)

- Lower the machine to reach the lower side of the cleaning deck (13).
- Turn the lever (A) counter-clockwise and remove the brush.
- Clean and wash the brush (15) with water and detergent.
- Check the brush bristles for integrity and wear; if necessary, replace the brush.
- Carefully clean the brush compartment (B).
- Disassemble the solution dispensers (C) and clean them with water and detergent, then rinse and reassemble in the relevant housings.
- Install the brush (15) on the drive hub (D) and engage it by turning the lever (E) clockwise.

### INSPECTION COMPARTMENT CLEANING

(Figure 8)

- Turn the lever (A) and remove the inspection compartment lid (17).
- Check and clean carefully the inspection compartment (B).
- Install the inspection compartment lid (17) and turn the lever (C) to fasten it to the deck.

### RECOVERY TANK CLEANING

(Figure 9)

- Remove the tank assembly from the machine body by using handle (8).
- Separate the solution tank (9) from the recovery tank (12).
- Open the recovery tank by prying on the hooks (A) and (B).
- Clean with water and detergent the lower (C) and upper (D) compartments of the tank, then rinse carefully.
- Reassemble the components.
- If necessary wash the solution tank (9) with clean water.

## SOLUTION FILTER CLEANING

### (Figure 10)

1. Remove the tank assembly from the machine body.
2. Remove the two rubber gasket (A and B), then remove the filter strainer (C).
3. Clean and install them on the support (D).

## AIR FILTER CLEANING

### (Figure 11)

1. Remove the cover (A), then remove the air filter (B).
2. Clean the filter.
3. Install the filter in the housing (C) and close with the cover (A).

## TROUBLESHOOTING

Trouble	Possible Cause	Remedy
The machine does not work.	The power supply cable or plug is broken.	Replace the cable.
	The start/stop switch is broken.	Replace the switch. (*)
The dirty water vacuuming is insufficient.	The recovery tank is full.	Empty the tank.
	The squeegee bars are dirty or the blades are worn or damaged.	Clean and check the squeegee bars.
	The inspection compartment is dirty.	Clean.
	The recovery vacuum hose is disconnected or dirty.	Connect or clean the hose.
	The air filter is dirty.	Clean the filter.
The solution flow to the brush is insufficient.	The solution filter is dirty.	Clean the filter.
	The solution dispensers are clogged.	Clean the solution dispensers.
The squeegees leave marks on the floor.	There is debris under the squeegee blades.	Remove the debris.
	The squeegee blades are worn, chipped or torn.	Replace the blades.

(\*) This maintenance procedure must be performed by an authorised Clarke Service Center.

For further information refer to the Service Manual, available at any Clarke Service Center.

## DISPOSAL

Have the machine scrapped by a qualified scrapper.

Before disposal the machine, remove and separate the following materials, which must be disposed of properly according to the Law in force:

- Brush
- Plastic hoses and components
- Electrical and electronic components (\*)

(\*) Refer to the nearest Clarke Center especially when disposal electrical and electronic components.

**TECHNICAL DATA**

<b>Model</b>	<b>Clarke MA10 12E</b>
Solution tank capacity	0.8 US gal (3 L)
Recovery tank capacity	1.0 US gal (4 L)
Machine size (length x width x height)	15.7 x 14.2 45.3 in (400 x 360 x 1,150 mm)
Cleaning width	12.5 in (310 mm)
Brush diameter	2.6 in (66 mm)
Solution flow	0.05 US gal/min (0.2 L/min)
Sound pressure level at workstation (ISO 11201, ISO 4871, EN 60335-2-72) (LpA)	72 dB(A) ± 2 dB(A)
Machine sound power level (ISO 3744, ISO 4871, EN 60335-2-72) (LwA)	83 dB(A)
Vibration level at the operator's arms (ISO 5349-1, EN 60335-2-72)	< 98.4 in/s <sup>2</sup> (< 2.5 m/s <sup>2</sup> )
Maximum gradient when working	2 %
Protection class (electric)	Grounded
Vacuum system capacity	0.512 psi (360 mm H <sub>2</sub> O)
Brush rotation speed	2,100 rpm
Total absorbed power	1 hp (0.73 kW)
Electrical system voltage	110-120 V - 50-60 Hz
Weight with empty tanks	26.4 lb (12 kg)
Gross vehicle weight (GVW)	33.0 lb (15 kg)
Shipping weight	35.3 lb (16 kg)

**ACCESSORIES/OPTIONS**

In addition to the standard components, the machine can be equipped with the following accessories/options, according to the machine specific use:

107411860	Brush cyl 310 mm (12.5") Medium PPL (white)
107411861	Brush cyl 310 mm (12.5") Hard PPL (black)
107411862	Brush cyl 310 mm (12.5") Microfibre
107411863	Brush cyl 310 mm (12.5") Carpet
107411864	Manual suction hose kit
107411865	Carpet complete kit
107411866	Two hands working handle kit
107414568	Net kit
107411867	Squeegee 321 mm (13") kit
107411868	Squeegee 321 mm (13") carpet kit

For further information concerning the optional accessories, contact an authorised Retailer.

## ÍNDICE

<b>INTRODUCCIÓN.....</b>	<b>10</b>
FINALIDAD Y OBJETO DE ESTE MANUAL .....	10
DESTINATARIOS .....	10
DATOS DE IDENTIFICACIÓN.....	10
OTROS MANUALES DE REFERENCIA .....	10
PIEZAS DE REPUESTO Y MANTENIMIENTO.....	10
MODIFICACIONES Y MEJORAS.....	10
FUNCIONES DE LA MÁQUINA.....	10
CONVENCIONES.....	10
<b>DESEMBALAJE/ENTREGA.....</b>	<b>10</b>
<b>SEGURIDAD .....</b>	<b>11</b>
SÍMBOLOS VISIBLES EN LA MÁQUINA .....	11
SÍMBOLOS QUE APARECEN EN EL MANUAL.....	11
INSTRUCCIONES GENERALES .....	11
INSTRUCCIONES PARA LA PUESTA A TIERRA 120 VAC.....	12
<b>DESCRIPCIÓN DE LA MÁQUINA.....</b>	<b>12</b>
ESTRUCTURA DE LA MÁQUINA.....	12
<b>USO/FUNCIONAMIENTO.....</b>	<b>13</b>
LLENADO DEL DEPÓSITO DE LA SOLUCIÓN DETERGENTE .....	13
ARRANQUE DE LA MÁQUINA (LAVADO/SECAMIENTO) .....	13
PARADA DE LA MÁQUINA.....	13
TUBO DE ASPIRACIÓN (opcional).....	13
VACIADO DE LOS DEPÓSITOS.....	13
TRANSPORTE/ESTACIONAMIENTO DE LA MÁQUINA.....	13
DESPUÉS DEL USO DE LA MÁQUINA.....	13
<b>MANTENIMIENTO .....</b>	<b>14</b>
ESQUEMA DE MANTENIMIENTO PROGRAMADO.....	14
CONTROL DEL CABLE DE ALIMENTACIÓN .....	14
LIMPIEZA DE LAS BOQUILLAS .....	14
LIMPIEZA DEL CEPILLO Y DEL COMPARTIMIENTO DEL CEPILLO.....	14
LIMPIEZA DEL COMPARTIMIENTO DE INSPECCIÓN.....	14
LIMPIEZA DEL DEPÓSITO DEL AGUA DE RECUPERACIÓN.....	15
LIMPIEZA DEL FILTRO DE LA SOLUCIÓN DETERGENTE.....	15
LIMPIEZA DEL FILTRO DE AIRE .....	15
<b>BÚSQUEDA AVERÍAS .....</b>	<b>15</b>
<b>ELIMINACIÓN.....</b>	<b>15</b>
<b>DATOS TÉCNICOS.....</b>	<b>16</b>
ACCESORIOS/OPCIONES.....	16
<b>PARTS LIST.....</b>	<b>25</b>

## INTRODUCCIÓN



**NOTA**  
 Los números entre paréntesis se refieren a los componentes ilustrados en el capítulo Descripción de la máquina.

### FINALIDAD Y OBJETO DE ESTE MANUAL

Este manual contiene todas las informaciones necesarias para que el operador utilice la máquina de forma adecuada, autónoma y segura. Incluye informaciones inherentes a los datos técnicos, la seguridad, el funcionamiento, el almacenamiento, el mantenimiento, las piezas de repuesto y la eliminación.  
 Antes de efectuar cualquier operación de mantenimiento, leer cuidadosamente las instrucciones incluidas en este manual. En caso de dudas sobre la correcta interpretación de las instrucciones, consulte Clarke para obtener explicaciones. Guardar el manual en el sobre apropiado, en caso de uso futuro o en caso de reventa de la máquina.

### DESTINATARIOS

Este manual es para los operadores y los técnicos encargados del mantenimiento de la máquina. Los operadores no deben efectuar procedimientos reservados a los técnicos calificados. Clarke no es responsable para los daños causados a la máquina por falta de observación de esta prohibición.

### DATOS DE IDENTIFICACIÓN

El número de serie y el modelo de la máquina están marcados en la placa (5). En la misma placa se indican también el año de fabricación y el código del producto. Esta información es necesaria cuando se pidan piezas de repuesto para la máquina. Usar el espacio siguiente para escribir los datos de identificación de la máquina.

Modelo MÁQUINA .....
Código del PRODUCTO .....
Número de serie MÁQUINA .....

### OTROS MANUALES DE REFERENCIA

- Manual de asistencia (que se puede consultar cerca de los Centros de asistencia Clarke)
- Catálogo piezas de repuestos (en dotación a la máquina)

### PIEZAS DE REPUESTO Y MANTENIMIENTO

Para cualquier necesidad inherente a la reparación, consultar al personal calificado o los Centros de asistencia Clarke. Se recomienda usar sólo piezas de repuesto y accesorios originales. Para la asistencia o para pedir piezas de repuesto y accesorios acudir a Clarke, especificando siempre el modelo, el código del producto y el número de serie de la máquina.

### MODIFICACIONES Y MEJORAS

Clarke está constantemente mejorando sus productos y se reserva el derecho de realizar modificaciones y mejoras a su discreción, sin verse obligada a aplicar dichas ventajas a las máquinas vendidas previamente. Sólo Clarke puede aprobar y efectuar cualquier modificación y/o instalación de accesorios.

### FUNCIONES DE LA MÁQUINA

Esta fregadora/secadora está diseñada y construida para el uso comercial y para la limpieza (lavado y secado) de suelos lisos y compacto. La fregadora/secadora se puede utilizar para la limpieza de alfombras sólo después de la instalación de los accesorios apropiados.

### CONVENCIONES

En este manual, las indicaciones de adelante, atrás, delantero, trasero, derecho e izquierdo, se refieren al operador en posición de uso.

### DESEMBALAJE/ENTREGA

Al momento de la entrega, controlar con cuidado el embalaje y la máquina por si hayan sufrido daños durante el transporte. Si los daños son evidentes, conservar el embalaje, de forma que el transportista que lo ha entregado lo pueda inspeccionar. Contactarlo de inmediato para compilar una indemnización daños y perjuicios.



**¡ADVERTENCIA!**  
*Tras haber desembalado la máquina, montarla siguiendo cuidadosamente las instrucciones indicadas en la hoja de instrucciones dentro del embalaje.*

Controlar que la máquina sea entregada junto a los siguientes componentes:

- Documentación técnica:
  - Manual de instrucciones de uso de la fregadora/secadora
  - Catálogo piezas de repuestos de la fregadora/secadora



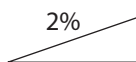
**¡ATENCIÓN!**  
*Los Productos a la venta en este Manual contienen, o pueden contener, productos químicos reconocidos por algunos gobiernos (como el Estado de California, según lo indica en su Proposición 65, Ley de Advertencia Regulatoria) como causantes de cáncer, defectos de nacimiento u otros daños reproductivos. En algunas jurisdicciones (incluido el Estado de California), los compradores de estos Productos que los coloquen en servicio en un emplazamiento laboral o en un espacio de acceso público tienen la obligación regulatoria de realizar determinados avisos, advertencias o divulgaciones respecto de los productos químicos contenidos o posiblemente contenidos en los Productos utilizados en tal lugar. Es la responsabilidad del comprador conocer y cumplir con todas las leyes y reglamentaciones relacionadas con el uso de estos Productos en tales entornos. El Fabricante niega toda responsabilidad de informar a los compradores sobre requisitos específicos que pueden regir el uso de los Productos en tales entornos.*

## SEGURIDAD

La siguiente simbología sirve para señalar situaciones de peligro potencial. Leer siempre cuidadosamente estas informaciones y tomar las precauciones necesarias para proteger personas y cosas.

Para evitar desgracias, la cooperación del operador es fundamental. Ningún programa de prevención de accidentes resulta eficaz sin la total cooperación de la persona directamente responsable del funcionamiento de la máquina. La mayoría de los accidentes son causados por no observar las reglas de seguridad fundamentales.

## SÍMBOLOS VISIBLES EN LA MÁQUINA



**¡ATENCIÓN!**  
No usar la máquina sobre rampas o inclinaciones superiores a las especificaciones.

## SÍMBOLOS QUE APARECEN EN EL MANUAL



**¡PELIGRO!**  
Indica un peligro con riesgo, incluso mortal, para el operador.



**¡ATENCIÓN!**  
Indica el riesgo potencial de infortunios para las personas.



**¡ADVERTENCIA!**  
Indica una advertencia o una nota sobre una función importante o útil. Tener cuidado de las partes del texto marcadas con este símbolo.



**NOTA**  
Indica una nota sobre una función importante o útil.



**CONSULTAS**  
Indica la necesidad de consultar el Manual de instrucciones de uso antes de efectuar cualquier operación.

## INSTRUCCIONES GENERALES

Se describen aquí las advertencias y precauciones específicas por lo que se refiere a los potenciales riesgos de daños a la máquina o a las personas.



**¡PELIGRO!**

- Antes de efectuar cualquier operación de limpieza, mantenimiento o sustitución de piezas desconectar el enchufe de la toma eléctrica.
- Quitarse las joyas cuando se trabaja cerca de los componentes eléctricos.
- No activar la máquina en un ambiente donde haya polvo, líquidos o vapores nocivos, peligrosos, inflamables y/o explosivos: esta máquina no es adecuada para recoger polvos peligrosos.



**¡ATENCIÓN!**

- Sólo los operadores cualificados pueden usar esta máquina.
- Antes de efectuar cualquier operación de mantenimiento/reparación, leer cuidadosamente todas las instrucciones relacionadas.
- La conexión no correcta causa el riesgo de electrochoque. Conecte la máquina a una red de alimentación

correctamente conectada a tierra.

- No modificar el enchufe de la máquina. Si no es posible conectar el enchufe a la toma de corriente, es necesario que un técnico cualificado instale tomas de corriente apropiadas según las normas en vigor.
- Antes de conectar el enchufe del cable de alimentación a la red eléctrica, controlar que la frecuencia y la tensión indicadas en la placa del número de serie de la máquina coincidan con la tensión de la red.
- No desenchufar la máquina tirando por el cable. Para desenchufar la máquina, agarrar el enchufe, no el cable.
- No tocar el enchufe o la máquina con las manos bañadas.
- Desactivar todos los mandos antes de desenchufar la máquina.
- Controlar regularmente si el cable de alimentación está dañado, cortado, grietado o desgastado. Si se detectan daños en el cable de alimentación, sustituirlo antes de volver a usarlo.
- Si el cable de alimentación está dañado, sólo el constructor o un centro de asistencia autorizado puede sustituirlo.
- No tirar o transportar la máquina por el cable; no usar el cable como empuñadura. No cerrar el cable en una puerta o tirarlo sobre bordes o ángulos afilados. No atropellar el cable con la máquina. No dejar que el cepillo entre en contacto con el cable de alimentación.
- Tener el cable lejos de superficies calientes.
- Para reducir el riesgo de incendio, electrochoque o lesiones, no dejar la máquina conectada a la red eléctrica cuando está sin custodia. Desenchufar la máquina cuando no se usa y antes de efectuar el mantenimiento.
- No es apta para uso en exteriores. Proteger siempre la máquina de la luz solar y de la humedad. Esta máquina se debe almacenar en interiores.
- Debe de usar la máquina, cerrar todos los portillos y/o las tapas como indicado en el Manual de instrucciones de uso.
- Países de la UE: esta máquina puede ser utilizada por niños de 8 años en adelante y por personas con alguna discapacidad física, sensorial o mental, o falta de experiencia y formación, sólo si actúan bajo supervisión adecuada, o si se han aprendido el uso seguro de la máquina y entendido los riesgos. Los niños no deben usar esta máquina como si fuese un juego. Los niños no pueden efectuar limpieza y mantenimiento de la máquina sin supervisión adecuada.
- Países fuera de la UE: esta máquina no puede ser utilizada por persona (incluidos niños) con alguna discapacidad física, sensorial o mental, o falta de experiencia y formación.
- Tener mucho cuidado cuando se utiliza cerca de niños.
- No usar con finalidades diferentes de aquellas indicadas en este manual. Usar sólo accesorios recomendados por Clarke.
- Controlar con cuidado la máquina antes de usarla, comprobar que se hayan montados todos los componentes antes de usarla. El uso de la máquina no perfectamente montada puede causar lesiones a personas y daños a los aparatos.
- Tomar todas las precauciones necesarias para que el pelo, las joyas y las ropas no sean capturados por las partes móviles de la máquina.
- No usar la máquina sobre pendientes.
- No usar la máquina sobre rampas o inclinaciones superiores a las especificaciones.
- No usar la máquina en ambientes demasiado polvorientos.
- Usar la máquina sólo en áreas con suficiente iluminación.
- Cuando se usa esta máquina, tener cuidado de salvaguardar la incolumidad de personas y cosas.
- No chocar contra estanterías o andamios de los que puedan caer objetos.
- La temperatura de la máquina en trabajo debe estar entre los 32 °F y los 104 °F (0 °C y los +40 °C).
- La temperatura de almacenamiento de la máquina debe estar entre los 32 °F y los 104 °F (0 °C y los +40 °C).

- La humedad debe estar entre el 30 % y el 95 %.
- Cuando se usan detergentes, seguir las instrucciones y advertencias indicadas en las etiquetas de los frascos.
- Cuando se usan detergentes, usar guantes y protecciones adecuadas.
- No permitir que el cepillo funcione mientras la máquina está parada en un punto para evitar posibles daños al suelo.
- En caso de incendio usar un extintor de polvo, no de agua.
- No adular por ninguna razón la máquina, respetar escrupulosamente las instrucciones previstas para el mantenimiento ordinario.
- No dejar que material extraño entre en las aperturas. No usar la máquina si las aperturas están obstruidas. Las aperturas deben mantenerse libre de polvo, hilacha, pelos y cualquier otro cuerpo extraño que pueda reducir el flujo de aire.
- No quitar ni modificar las placas colocadas en la máquina.
- Tener cuidado durante el traslado de la máquina en condiciones de temperatura muy baja. El agua en el depósito del agua de recuperación o en los tubos, podría congelarse y dañar la máquina.
- Utilizar sólo los cepillos y los fieltros suministrados con la máquina o aquellos especificados en el Manual de instrucciones de uso. Utilizar otros cepillos puede perjudicar la seguridad.
- Cuando la máquina no funciona correctamente, asegurarse de que esto no sea causado por falta de mantenimiento. En caso contrario, pedir la intervención del personal autorizado o del Centro de asistencia autorizado.
- Si la máquina
  - no funciona correctamente
  - está dañada
  - pierde espuma o agua
  - se ha dejado al abierto, expuesta a intemperie
  - está mojada o se ha caído en el agua
 apagarla de inmediato y acudir a un Centro de asistencia Clarke o al personal calificado.
- Si deben sustituirse piezas, solicitar piezas de repuesto ORIGINALES a un Concesionario y/o Revendedor autorizado.
- Para asegurar condiciones de funcionamiento correcto y seguro, seguir la tabla de mantenimiento programado en este manual.
- No lavar la máquina con chorros de agua directa o presurizada, o con sustancias corrosivas.
- Nunca se debe abandonar la máquina al final del ciclo vital, por la presencia de materiales tóxicos y dañinos (componentes electrónicos, etc.) sujetos a normativas que exigen que se realice la eliminación en centros especiales (véase el capítulo Eliminación).

**INSTRUCCIONES PARA LA PUESTA A TIERRA 120 VAC**

Esta máquina debe tener una conexión de tierra. En caso de avería eléctrica, la conexión de tierra reduce el riesgo de electrochoque al proporcionar un alambre de escape para la corriente eléctrica. La máquina está equipada de un cable de alimentación con un hilo de tierra y un enchufe con puesta a tierra. El enchufe del cable de alimentación se debe conectar a una toma de corriente que se haya instalado y conectado a tierra debidamente, según todos los códigos y estatutos locales.



**¡PELIGRO!**

- La conexión incorrecta del enchufe de conexión a tierra puede dar como resultado el que exista un riesgo de electrochoque. Si hay dudas sobre la presencia de puesta a tierra en la toma eléctrica que se debe usar, contactar con un electricista calificado. No modificar el enchufe de la máquina. Si el enchufe no entra en la toma de corriente, contactar con un electricista para la instalación de una toma adecuada.
- Esta máquina debe funcionar en un circuito de potencia nominal de 120 V y tiene un enchufe semejante al enchufe indicado en la figura (B, Fig. 6). Un adaptador provisorio (B y C) puede ser usado para conectar este enchufe a un receptáculo de dos polos (B), si no hay disponible una toma de corriente con puesta a tierra. El adaptador provisorio debe ser usado solo hasta que una toma de corriente con puesta a tierra (A) pueda ser instalada por un electricista calificado. La orejeta o lengüeta rígida, de color verde, que se extiende del adaptador, debe ser conectada a una toma de tierra permanente tal como la tapa de la caja del receptáculo con toma de tierra. Cuando se usa el adaptador, fijarlo con un tornillo metálico. El adaptador provisorio no está permitido en Canadá.
- Sustituir el enchufe si la patilla de tierra está dañada o rota.
- El hilo Verde (o Verde/Amarillo) del cable es el hilo de tierra. Cuando se sustituye el enchufe, este hilo sólo debe ir conectado a la patilla de tierra.
- Las extensiones conectadas a esta máquina deben ser del calibre 12, trifilares, con tres patillas y tomas de pared adecuadas. NO utilizar extensiones superior a 50 pies (15 m).

**DESCRIPCIÓN DE LA MÁQUINA**

**ESTRUCTURA DE LA MÁQUINA**

(Figura 1)

1. Manilla
2. Pulsador de encendido/apagado
3. Pulsador de la solución detergente
4. Cable de alimentación con conector
5. Placa número de serie/datos técnicos/marcación de conformidad
6. Pedal de desbloqueo posición de parada
7. Pedal de subida/bajada de las boquillas
8. Manija de enganche y transporte de los depósitos
9. Depósito de la solución detergente
10. Tapón de llenado del depósito de la solución detergente
11. Filtro de la solución detergente
12. Depósito del agua de recuperación
13. Cabezal de limpiado
14. Palanca de enganche/desenganche del cepillo
15. Cepillo cilíndrico
16. Boquillas
17. Tapa de inspección
18. Tubo de aspiración del agua de recuperación
19. Tapa del filtro de aire
20. Tapón de descarga del depósito del agua de recuperación
21. Tapón de la boca de aspiración
22. Compartimiento del motor del sistema de aspiración/cepillo
23. Ruedas traseras
24. Alojamiento manija de transporte manual
25. Soporte del cable de alimentación



**¡ATENCIÓN!**

Usar la máquina con una extensión para cable de alimentación como sigue:

- longitud mínima 15 pies
- tipo S, ST, SO, STO, o STW
- capacidad mínima 300 V a 140/167°F (60/75°C)

## USO/FUNCIONAMIENTO

### LLENADO DEL DEPÓSITO DE LA SOLUCIÓN DETERGENTE

(Figura 2)



#### ¡ADVERTENCIA!

*Usar exclusivamente detergentes líquidos poco espumosos y no inflamables, que sean adecuados para este tipo de máquina.*



#### ¡ATENCIÓN!

*Cuando se usan detergentes, seguir las instrucciones y advertencias indicadas en las etiquetas de los frascos. Cuando se usan detergentes, usar guantes y protecciones adecuadas.*

- Desenganchar la manija (8) y quitar el conjunto depósitos de la máquina (A).
- Desenroscar el tapón del depósito (B) de la boca de llenado del depósito de la solución detergente.
- Llenar el depósito de la solución detergente (C) con agua dejando unos centímetros del borde.  
La temperatura del agua no debe superar los 40 °C.
- Para componer la solución detergente usar el medidor del tapón del depósito (B).  
La capacidad del tapón es de 30 ml, es decir el 1 % de solución diluida en el depósito lleno de agua. Seguir las instrucciones indicadas en la etiqueta para la dilución del producto químico usado para componer la solución detergente.
- Enroscar el tapón del depósito de la solución detergente.
- Colocar el conjunto depósitos en el cuerpo de la máquina y engancharlo con la manija (D).



#### NOTA

*No haga funcionar la bomba más de 1 minuto sin agua en el depósito de la solución detergente (9).*

### ARRANQUE DE LA MÁQUINA (LAVADO/ SECAMIENTO)

- Usar la manija (1) para llegar al lugar de trabajo empujando la máquina en las ruedas traseras.
- Conectar el enchufe de alimentación (4) a la red eléctrica



#### ¡ATENCIÓN!

*Antes de conectar el enchufe del cable de alimentación a la red eléctrica, controlar que la frecuencia y la tensión indicadas en la placa del número de serie de la máquina coincidan con la tensión de la red.*

- Desbloquear la máquina pisando el pedal (6).
- Bajar las boquillas (16) con el pedal (7).
- Apretar el pulsador (2) para arrancar la máquina.
- Pulsar el pulsador (3) para activar el flujo de la solución detergente.
- Maniobrar la máquina usando la manija (1) y empezar el trabajo de lavado/secamiento del suelo.



#### ¡ADVERTENCIA!

*Para evitar que el suelo se dañe, no utilizar el cepillo cuando la máquina se queda parada en un punto.*

### PARADA DE LA MÁQUINA

- Colocar la máquina en posición vertical.
- Apagar la máquina pulsando el pulsador (2).
- Desconectar el cable de alimentación (4) de la red eléctrica y arrollarlo sobre el soporte (25).
- Levantar las boquillas (16) con el pedal (7).

### TUBO DE ASPIRACIÓN (opcional)

(Figura 3)

- Montar el tubo de aspiración en la boca de aspiración (21).
- Apretar el pulsador (2) para arrancar la máquina.
- Girar el anillo en posición ON (A) para empezar la aspiración con la extensión en dotación.
- Para apagar la aspiración y volver a la función de secamiento, girar el anillo en posición OFF (B).

### VACIADO DE LOS DEPÓSITOS

(Figura 4)

Un sistema de cierre automático de flotador bloquea el sistema de aspiración cuando el depósito del agua de recuperación (12) está lleno.

Es posible darse cuenta del bloqueo del sistema de aspiración porque el ruido del motor del sistema de aspiración aumenta, además el suelo no seca.

Cuando el depósito del agua de recuperación (12) está lleno, vaciarlo según el procedimiento siguiente.

#### Vaciado del depósito del agua de recuperación

- Desenganchar la manija (8) y quitar el conjunto depósitos de la máquina (A).
- Desenganchar la manija (B) del depósito de la solución.
- Desenroscar el tapón (20) y vaciar el depósito del agua de recuperación (12). Al final del trabajo, enjuagar el depósito con agua limpia.

#### Vaciado del depósito de la solución detergente

- Desenroscar el tapón (10) y vaciar el depósito de la solución detergente (9). Al final del trabajo, enjuagar el depósito con agua limpia.
- Con la manija (C) enganchar el depósito de la solución detergente al depósito del agua de recuperación (12).
- Colocar el conjunto depósitos en el cuerpo de la máquina y engancharlo con la manija (D).

### TRANSPORTE/ESTACIONAMIENTO DE LA MÁQUINA

- Llevar a cabo los procedimientos indicados en el párrafo "Parada de la máquina".
- Transportar la máquina en una de las siguientes maneras:
  - Empuñar la manilla (1) y levantar un poco la máquina. Manteniendo la máquina en esta condición, empujarla en un lugar adecuado para el estacionamiento.
  - Empuñar la máquina en el punto apropiado (24) y transportarla en el lugar previsto para el estacionamiento.
- Después del trabajo, se aconseja quitar el cepillo, (para el procedimiento, véase el párrafo específico en el capítulo Mantenimiento).

### DESPUÉS DEL USO DE LA MÁQUINA

Cuando el trabajo está acabado, antes de alejarse de la máquina:

- Llevar a cabo los procedimientos indicados en el párrafo "Parada de la máquina".
- Quitar el cepillo como indicado en el párrafo específico en el capítulo Mantenimiento.
- Vaciar los depósitos (12) y (9).
- Efectuar las operaciones de mantenimiento necesarias después del uso de la máquina (véase el capítulo Mantenimiento).
- Almacenar la máquina en un lugar limpio y seco.

## MANTENIMIENTO

Un mantenimiento cuidadoso y continuo garantiza la vida útil y la seguridad de funcionamiento de la máquina. El esquema siguiente resume el mantenimiento programado. Los periodos indicados pueden variar según las condiciones de trabajos.



### ¡ATENCIÓN!

**Las operaciones de mantenimiento deben efectuarse con la máquina apagada y el enchufe del cable de alimentación desconectado de la red eléctrica.**

**Además, leer cuidadosamente todas las instrucciones del capítulo Seguridad.**

## ESQUEMA DE MANTENIMIENTO PROGRAMADO

Operación	Diaria, después del uso de la máquina	Semanaria	Semestral
Limpieza de las boquillas			
Limpieza del cepillo			
Limpieza del depósito del agua de recuperación			
Limpieza del compartimiento del cepillo y del compartimiento de inspección			
Control del cable de alimentación eléctrica			
Limpieza del compartimiento de inspección			
Control de las boquillas			
Limpieza del filtro del detergente			
Limpieza del filtro de aire			
Limpieza del depósito de la solución detergente			
Sustitución de las boquillas			

### CONTROL DEL CABLE DE ALIMENTACIÓN

- Controlar con cuidado que el cable de alimentación (4) y el enchufe relacionado no presenten signos de abrasión, cortes, grietas u otros daños.  
Si el cable de alimentación y el enchufe relacionado están dañados, antes de usar de nuevo la máquina, acudir a un Centro de asistencia Clarke.

### LIMPIEZA DE LAS BOQUILLAS

(Figura 5)



#### ¡ADVERTENCIA!

**Durante estas operaciones se aconseja usar guantes de trabajo, porque residuos cortantes podrían estar en las boquillas o en el cepillo.**



#### NOTA

**Para un buen secamiento, las boquillas deben estar limpias y con los cauchos en buenas condiciones.**



#### ¡ADVERTENCIA!

**Las boquillas se fijan a la máquina con un mecanismo de resorte y se pueden quitar con facilidad.**

- Parar la máquina.
- Controlar que el enchufe del cable de alimentación esté desconectado de la red eléctrica.
- Bajar las boquillas (16) con el pedal (7).
- Bajar la máquina hasta acceder a la parte inferior del cabezal de limpieza (13).
- Desmontar las boquillas (16) tirándolas hacia el exterior.
- Limpiar y lavar las boquillas. Limpiar especialmente los huecos (A) y el orificio de aspiración (B). Controlar que los cauchos estén en buenas condiciones, que no estén cortados o desgarrados; de lo contrario, sustituir las boquillas.
- Montar las boquillas (16) enganchándolas por completo.

### LIMPIEZA DEL CEPILLO Y DEL COMPARTIMIENTO DEL CEPILLO

(Figura 7)

- Bajar la máquina hasta acceder a la parte inferior del cabezal de limpieza (13).
- Girar la palanca en sentido antihorario (A) y quitar el cepillo.
- Limpiar y lavar el cepillo (15) con agua y detergente.
- Controlar que las cerdas del cepillo no estén dañadas o excesivamente desgastadas; de lo contrario, sustituir el cepillo.
- Limpiar con cuidado el compartimiento del cepillo (B).
- Desmontar los dosificadores de la solución detergente (C) y limpiarlos con agua y detergente, luego enjuagarlos y volverlos a montar en sus alojamientos.
- Volver a montar el cepillo (15) en perno arrastrador (D) y engancharlo girando la palanca en sentido horario (E).

### LIMPIEZA DEL COMPARTIMIENTO DE INSPECCIÓN

(Figura 8)

- Girar la palanca (A) y desmontar la tapa del compartimiento de inspección (17).
- Controlar y limpiar con cuidado el compartimiento de inspección (B).
- Montar la tapa del compartimiento de inspección (17) y girar la palanca (C) para fijarlo en el cabezal.

## LIMPIEZA DEL DEPÓSITO DEL AGUA DE RECUPERACIÓN

### (Figura 9)

1. Desmontar el conjunto depósitos del cuerpo máquina usando la manija (8).
2. Separar el depósito de la solución detergente (9) del depósito del agua de recuperación (12).
3. Abrir el depósito del agua de recuperación presionando sobre los enganches (A y B).
4. Lavar y limpiar con agua y detergente el compartimiento inferior (C) y superior (D) del depósito, luego enjuagar cuidadosamente.
5. Volver a instalar los componentes quitados.
6. Si necesario lavar el depósito de la solución detergente (9) con agua limpia.

## LIMPIEZA DEL FILTRO DE LA SOLUCIÓN DETERGENTE

### (Figura 10)

1. Desmontar el conjunto depósitos del cuerpo máquina.
2. Desmontar de dos junta de caucho (A y B), luego quitar la rejilla filtrante (C).
3. Limpiarlas y montarlas en el soporte (D).

## LIMPIEZA DEL FILTRO DE AIRE

### (Figura 11)

1. Desmontar la tapa (A), luego quitar el filtro de aire (B).
2. Limpiar el filtro.
3. Volver a instalar el filtro en el alojamiento (C) y cerrar la tapa (A).

## BÚSQUEDA AVERÍAS

Problema	Probable causa	Remedio
La máquina no funciona.	Cable de alimentación o enchufe rotos.	Sustituir el cable.
	El pulsador de encendido/apagado está roto.	Sustituir el pulsador. (*)
Insuficiente aspiración del agua de recuperación.	Depósito del agua de recuperación lleno.	Vaciar el depósito.
	Boquillas sucias o cauchos desgastados/dañados.	Limpiar y controlar las boquillas.
	Compartimiento de inspección sucio.	Limpiar.
	El tubo de aspiración está desconectado o sucio.	Conectar o limpiar el tubo.
	Filtro del aire sucio.	Limpiar el filtro.
El flujo de la solución detergente al cepillo es insuficiente.	Filtro de la solución detergente sucio.	Limpiar el filtro.
	Dosificadores de la solución detergente obstruidos.	Limpiar los dosificadores de la solución detergente.
Estridados causados por las boquillas.	Residuos bajo de los cauchos de las boquillas.	Quitar los residuos.
	Cauchos de las boquillas desgastados, astillados o desgarrados.	Sustituir los cauchos.

(\*) Mantenimiento de competencia de un Centro de asistencia autorizado Clarke.

Para informaciones suplementarias consultar el Manual de asistencia cerca de los Centros de asistencia Clarke.

## ELIMINACIÓN

Eliminar la máquina en un demoledor calificado.

Antes de eliminar la máquina es necesario quitar y separar los siguientes materiales y eliminarlos según las actuales normas de higiene ambiental:

- Cepillo
- Tubos y componentes de plástico
- Componentes eléctricos y electrónicos (\*)

(\*) En particular, para la eliminación de componentes eléctricos y electrónicos, contactar con Clarke.

**DATOS TÉCNICOS**

<b>Modelo</b>	<b>Clarke MA10 12E</b>
Capacidad del depósito de la solución detergente	0.8 US gal (3 litros)
Capacidad del depósito del agua de recuperación	1.0 US gal (4 litros)
Dimensiones máquina (longitud x anchura x altura)	15.7 x 14.2 45.3 in (400 x 360 x 1,150 mm)
Anchura de limpieza	12.5 in (310 mm)
Diámetro cepillo	2.6 in (66 mm)
Flujo de la solución detergente	0.05 US gal/min (0,2 litros/min)
Presión sonora a la oreja del operador (ISO 11201, ISO 4871, EN 60335-2-72) (LpA)	72 dB(A) ± 2 dB(A)
Potencia acústica emitida por la máquina (ISO 3744, ISO 4871, EN 60335-2-72) (LwA)	83 dB(A)
Nivel de vibraciones al brazo del operador (ISO 5349-1, EN 60335-2-72)	< 98.4 in/s <sup>2</sup> (< 2.5 m/s <sup>2</sup> )
Inclinación máxima de trabajo	2 %
Clase de protección (eléctrica)	Conexion a tierra
Vacío del sistema de aspiración	0.512 psi (360 mm H <sub>2</sub> O)
Velocidad de rotación cepillo	2.100 rpm
Potencia total absorbida	1 hp (0.73 kW)
Tensión del sistema eléctrico	110-120 V - 50-60 Hz
Peso con depósitos vacíos	26.4 lb (12 kg)
Peso máximo en orden de marcha (GVW)	33.0 lb (15 kg)
Peso de envío	35.3 lb (16 kg)

**ACCESORIOS/OPCIONES**

Además de los componentes instalados en la versión estándar, la máquina puede equiparse con los siguientes accesorios/ opciones, según el uso específico:

107411860	Cepillo cilíndrico de 310 mm (12,5") de PPL (densidad media) (color blanco)
107411861	Cepillo cilíndrico de 310 mm (12,5") de PPL (densidad alta) (color negro)
107411862	Cepillo cilíndrico de 310 mm (12,5") de microfibra
107411863	Cepillo cilíndrico de 310 mm (12,5") para limpiar alfombras
107411864	Kit tubo de aspiración manual
107411865	Kit completo para limpiar alfombras
107411866	Kit empuñadura de trabajo con dos manos
107414568	Kit bolsa de red
107411867	Kit boquilla de 321 mm (13")
107411868	Kit boquilla de 321 mm (13") para limpiar alfombras

Para informaciones suplementarias sobre estos accesorios opcionales, acudir al Revendedor autorizado.

## TABLE DES MATIÈRES

<b>INTRODUCTION</b> .....	<b>18</b>
BUT ET CONTENU DU MANUEL .....	18
DESTINATAIRES.....	18
DONNÉES D'IDENTIFICATION .....	18
AUTRES MANUELS DE RÉFÉRENCE.....	18
PIÈCES DE RECHANGE ET ENTRETIEN .....	18
MODIFICATIONS ET AMÉLIORATIONS.....	18
FONCTIONS DE LA MACHINE.....	18
CONVENTIONS .....	18
<b>DÉBALLAGE / LIVRAISON</b> .....	<b>18</b>
<b>SÉCURITÉ</b> .....	<b>18</b>
SYMBOLES VISIBLES SUR LA MACHINE.....	18
SYMBOLES UTILISÉS DANS LE MANUEL.....	19
INSTRUCTIONS GÉNÉRALES.....	19
INSTRUCTIONS DE MISE A LA TERRE DE 120 V C.A. ....	20
<b>DESCRIPTION DE LA MACHINE</b> .....	<b>20</b>
STRUCTURE DE LA MACHINE .....	20
<b>UTILISATION/FONCTIONNEMENT</b> .....	<b>21</b>
REMPLISSAGE DU RÉSERVOIR DE SOLUTION .....	21
DÉMARRAGE DE LA MACHINE (LAVAGE/SÉCHAGE) .....	21
ARRÊT DE LA MACHINE .....	21
TUYAU D'ASPIRATION (en option).....	21
VIDANGE DES RÉSERVOIRS.....	21
TRANSPORT / STATIONNEMENT DE LA MACHINE.....	21
APRÈS L'UTILISATION DE LA MACHINE .....	21
<b>ENTRETIEN</b> .....	<b>22</b>
PLAN D'ENTRETIEN PROGRAMMÉ.....	22
CONTRÔLE DU CÂBLE D'ALIMENTATION .....	22
NETTOYAGE DES EMBOUCHURES .....	22
NETTOYAGE DE LA BROSSE ET DU LOGEMENT DE LA BROSSE.....	22
NETTOYAGE DU COMPARTIMENT DE CONTRÔLE .....	22
NETTOYAGE DU RÉSERVOIR DE L'EAU DE RÉCUPÉRATION .....	23
NETTOYAGE DU FILTRE DE LA SOLUTION .....	23
NETTOYAGE DU FILTRE À AIR .....	23
<b>DÉPISTAGE DES PANNES</b> .....	<b>23</b>
<b>MISE À LA FERRAILLE</b> .....	<b>23</b>
<b>CARACTÉRISTIQUES TECHNIQUES</b> .....	<b>24</b>
ACCESSOIRES / OPTIONS.....	24
<b>PARTS LIST</b> .....	<b>25</b>

## INTRODUCTION



### REMARQUE

Les nombres entre parenthèses se réfèrent aux composants indiqués au chapitre Description de la machine.

## BUT ET CONTENU DU MANUEL

Ce manuel se propose de fournir à l'opérateur toutes les informations nécessaires afin qu'il puisse utiliser la machine correctement et la gérer de la manière la plus autonome et sûre. Il comprend des informations concernant l'aspect technique, la sécurité, le fonctionnement, l'arrêt de la machine, l'entretien, les pièces de rechange et la mise à la ferraille.

Avant d'effectuer toute opération sur la machine, lire attentivement les instructions contenues dans ce manuel. En cas de doutes sur la correcte interprétation des instructions, contacter Clarke pour avoir plus de renseignements. Garder le manuel dans une enveloppe spéciale pour toute utilisation future ou en cas de vente de l'appareil.

## DESTINATAIRES

Ce manuel s'adresse à l'opérateur aussi bien qu'aux techniciens préposés à l'entretien de la machine.

Les opérateurs ne doivent pas exécuter les opérations réservées aux techniciens qualifiés. Clarke ne répond pas des dommages dus à l'inobservance de cette interdiction.

## DONNÉES D'IDENTIFICATION

Le numéro de série et le modèle de la machine sont indiqués sur la plaque (5).

La plaque indique également l'année de fabrication et le code du produit.

Ces informations sont nécessaires lors de la commande des pièces de rechange de la machine. Utiliser l'espace suivant pour noter les données d'identification de la machine.

Modèle de la MACHINE .....
Code du PRODUIT .....
Numéro de série de la MACHINE .....

## AUTRES MANUELS DE RÉFÉRENCE

- Manuel d'entretien (consultable auprès des Services après-vente Clarke)
- Catalogue de pièces de rechange (livré avec la machine)

## PIÈCES DE RECHANGE ET ENTRETIEN

Pour toute nécessité concernant la réparation s'adresser au personnel qualifié ou directement aux Services après-vente Clarke.

N'utiliser que des pièces de rechange et accessoires d'origine. Pour l'assistance ou la commande de pièces de rechange et d'accessoires, contacter Clarke en spécifiant toujours le modèle, le code du produit et le numéro de série.

## MODIFICATIONS ET AMÉLIORATIONS

Clarke vise à un constant perfectionnement de ses produits et se réserve le droit d'effectuer des modifications et des améliorations lorsqu'elle le considère nécessaire sans l'obligation de modifier les machines précédemment vendues. Il est entendu que toute modification et / ou addition d'accessoires doit toujours être approuvée et réalisée par Clarke.

## FONCTIONS DE LA MACHINE

L'autolaveuse est conçue et fabriquée pour l'utilisation commerciale et le nettoyage (lavage et séchage) de sols lisses et solides.

L'autolaveuse peut être utilisée pour le nettoyage de tapis seulement après l'installation des accessoires adéquats.

## CONVENTIONS

Toutes les références à en avant, en arrière, avant, arrière, droite ou gauche indiquées dans ce manuel doivent être considérées comme référées à l'opérateur en position de conduite.

## DÉBALLAGE / LIVRAISON

Lors de la livraison de la machine, contrôler attentivement que l'emballage et la machine n'ont pas été endommagés pendant le transport.

Si les dommages sont évidents, garder l'emballage de façon qu'il puisse être examiné par le transporteur qui l'a livré.

Contactez immédiatement le transporteur pour remplir une demande de dommages-intérêts.



### AVERTISSEMENT !

**Après le déballage, monter la machine en suivant avec soin les instructions dans la documentation derrière l'emballage.**

Contrôler que les composants suivants sont livrés avec la machine :

- Documentation technique :
  - Manuel des instructions d'utilisation de l'autolaveuse
  - Catalogue de pièces de rechange de l'autolaveuse



### AVERTISSEMENT !

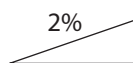
**Les Produits vendus avec le présent manuel contiennent ou peuvent contenir des produits chimiques reconnus par certains gouvernements (comme l'État de Californie, par le biais de la proposition de loi d'avertissement réglementaire 65) comme provoquant des cancers, des anomalies congénitales et autres dangers pour la reproduction. Dans certains endroits (comme l'État de Californie), les acheteurs de ces Produits, qui les utilisent sur un lieu de travail ou dans un espace public, ont l'obligation d'apposer certains avis, avertissements ou informations concernant les produits chimiques qui sont ou peuvent être contenus dans les Produits dans ces lieux ou aux alentours de ces lieux de travail. Il incombe à l'acheteur de connaître les dispositions de, et de respecter, toutes les lois et réglementations ayant trait à l'utilisation de ces Produits au sein de tels environnements. Le Fabricant rejette toute responsabilité d'informer les acheteurs concernant des exigences spécifiques qui peuvent s'appliquer à l'utilisation des Produits dans de tels environnements.**

## SÉCURITÉ

On utilise les symboles suivants pour signaler les conditions de danger potentielles. Lire attentivement ces informations et prendre les précautions nécessaires pour protéger les personnes et les choses.

Pour éviter tout accident la collaboration de l'opérateur est essentielle. Aucun programme de prévention des accidents du travail ne peut résulter efficace sans la totale collaboration de la personne directement responsable du fonctionnement de la machine. La plupart des accidents sont dus à l'inobservance des plus simples règles de prudence.

## SYMBOLES VISIBLES SUR LA MACHINE



### ATTENTION !

**Ne pas utiliser la machine sur des surfaces ayant une pente supérieure aux valeurs indiquées.**

## SYMBOLES UTILISÉS DANS LE MANUEL



### DANGER !

Indique une situation dangereuse exposant l'opérateur au risque de blessures graves, voire mortelles.



### ATTENTION !

Indique une situation exposant les personnes au risque de blessures.



### AVERTISSEMENT !

Indique un avertissement ou une remarque sur des fonctions clé ou utiles. Prêter la plus grande attention aux segments de texte marqués par ce symbole.



### REMARQUE

Indique une remarque sur des fonctions clé ou utiles.



### CONSULTATION

Indique la nécessité de consulter le Manuel des instructions d'utilisation avant toute opération.

## INSTRUCTIONS GÉNÉRALES

Les avertissements et précautions spécifiques suivants informent sur les potentiels dangers de dommages matériels ou blessures.



### DANGER !

- Avant d'effectuer toute opération de nettoyage, d'entretien et de remplacement des composants, débrancher la fiche de la prise de courant.
- Ne pas porter de bijoux quand on travaille près de composants électriques.
- Ne pas opérer avec cette machine en présence de poudres, liquides ou vapeurs nuisibles, dangereux, inflammables et / ou explosifs : la machine ne doit pas être utilisée pour ramasser des matériaux dangereux.



### ATTENTION !

- Cette machine doit être utilisée uniquement par le personnel adéquatement formé.
- Avant d'effectuer toute opération d'entretien / réparation, lire attentivement toutes les instructions qui concernent l'entretien / réparation.
- Le branchement non correct comporte le risque de choc électrique. Branchez l'appareil sur une alimentation secteur correctement mise à la terre.
- Ne pas modifier la fiche de la machine. Si la fiche ne peut pas être branchée à la prise électrique, demander l'intervention d'un technicien qualifié pour installer une prise électrique de secteur et conforme aux normes en vigueur.
- Avant de brancher la fiche du câble d'alimentation au réseau électrique, s'assurer que la fréquence et la tension indiquées sur la plaque avec numéro de série coïncident avec la tension du réseau.
- Ne pas utiliser le câble d'alimentation pour débrancher la machine de la prise de courant. Pour débrancher la machine, tirer sur la fiche et non sur le câble.
- Ne pas toucher la fiche de courant ou la machine avec les mains mouillées.
- Éteindre toutes les commandes avant de débrancher la machine de la prise de courant.
- Vérifier régulièrement que le câble d'alimentation n'est pas endommagé, coupé, craqué ou usé. En cas de dommages, remplacer le câble avant toute utilisation.

- Si le câble d'alimentation est endommagé, il doit être remplacé par le fabricant ou par son Service d'assistance.
- Ne pas utiliser le câble d'alimentation pour tirer ou transporter la machine et ne pas utiliser le câble comme poignée. Ne pas fermer de porte sur le câble d'alimentation, ne pas tirer le câble sur des surfaces ou coins tranchants. Ne pas faire passer la machine sur le câble d'alimentation. Ne pas permettre que la brosse rotative entre en contact avec le câble d'alimentation.
- Tenir le câble d'alimentation éloigné des surfaces chaudes.
- Pour réduire le risque d'incendie, chocs électriques ou blessures, ne pas laisser la machine sans surveillance lorsqu'elle est branchée au réseau électrique. Débrancher la machine du réseau électrique lorsqu'on n'utilise pas la machine et avant d'effectuer toute opération d'entretien.
- Elle n'est pas adaptée à l'utilisation en extérieur. Protéger toujours la machine des rayons du soleil et de l'humidité. La machine doit être gardée dans un endroit couvert.
- Avant d'utiliser la machine, fermer tous les volets et/ou carters comme indiqué sur le Manuel des instructions d'utilisation.
- Pays de l'UE : la machine peut être utilisée par des enfants de 8 ans ou plus et par des personnes aux capacités physiques, mentales et sensorielles limitées ou dépourvues de l'expérience ou de la formation seulement sous la supervision adaptée ou après avoir étudié l'utilisation en sécurité de la machine et compris les risques éventuels. La machine ne doit pas être utilisée comme jouet par les enfants. Le nettoyage et l'entretien de la machine ne doivent être effectués par les enfants que sous une supervision adéquate.
- Pays extra UE : la machine ne doit pas être utilisée par des personnes (y compris les enfants) aux capacités physiques, mentales et sensorielles limitées ou dépourvues d'expérience ou de formation.
- Faire attention lorsque la machine est utilisée à proximité des enfants.
- Ne pas utiliser à des fins autres que celles prévues dans ce manuel. Utiliser seulement les accessoires recommandés par Clarke.
- Inspecter la machine avec soin avant de l'utiliser et vérifier toujours que tous les composants ont été installés avant de mettre la machine en service. L'utilisation de la machine qui n'est pas installée parfaitement peut provoquer des lésions aux personnes et endommager les équipements.
- Prendre les précautions convenables afin que les cheveux, les bijoux, les parties non adhérentes des vêtements ne soient pas capturés par les parties en mouvement de la machine.
- Ne pas utiliser la machine sur des surfaces en pente.
- Ne pas utiliser la machine sur des surfaces ayant une pente supérieure aux valeurs indiquées.
- Ne pas utiliser la machine dans des endroits très poussiéreux.
- Utiliser la machine seulement dans des endroits bien illuminés.
- Pendant l'utilisation de la machine, faire attention à sauvegarder l'intégrité des personnes et des choses.
- Ne pas heurter contre des étagères ou des échafaudages, en particulier en cas de danger de chute d'objets.
- La température de travail de la machine doit être comprise entre 32°F et 104 °F (0 °C et +40 °C).
- La température de stockage de la machine doit être comprise entre 32°F et 104 °F (0 °C et +40 °C).
- L'humidité doit être comprise entre 30 % et 95 %.
- Pendant l'utilisation de détergents pour le nettoyage des sols, suivre toujours les instructions et les avertissements indiqués sur les étiquettes des flacons.
- Avant la manipulation de détergents pour le nettoyage des sols, mettre les gants et les vêtements de protection adéquats.
- Ne pas faire travailler la brosse lorsque la machine est à l'arrêt pour ne pas endommager le sol.

- En cas d'incendie, il est préférable d'utiliser un extincteur à poudre, plutôt qu'un extincteur à eau.
- Ne pas altérer pour aucune raison les protections prévues pour la machine, respecter scrupuleusement les instructions prévues pour l'entretien ordinaire.
- Ne pas laisser entrer d'objets dans les ouvertures. Ne pas utiliser la machine si les ouvertures sont obstruées. Garder les ouvertures de la machine libres de poussière, filasse, poils et tout autre corps étranger à même de réduire le flux d'air.
- Ne pas enlever ou altérer les plaques apposées sur la machine.
- Faire attention pendant les déplacements de la machine en conditions de températures inférieures au point de congélation. L'eau présente dans le réservoir de l'eau de récupération ou dans les tuyaux pourrait se congeler et endommager sérieusement la machine.
- Utiliser les brosses et les disques livrés avec la machine et ceux spécifiés dans le Manuel des instructions d'utilisation. L'utilisation de brosses différentes peut compromettre la sécurité.
- S'assurer que les éventuelles anomalies de fonctionnement de la machine ne dépendent pas du manque d'entretien. En cas contraire, demander l'intervention du personnel autorisé ou d'un Service après-vente autorisé.
- Si la machine
  - ne fonctionne pas correctement
  - est endommagée
  - présente des pertes anormales de mousse ou d'eau
  - est restée dans un endroit ouvert, exposée aux intempéries
  - est mouillée ou est tombée dans l'eau
 l'arrêter immédiatement et contacter un Service après-vente Clarke ou demander l'intervention du personnel qualifié.
- En cas de remplacement de pièces, demander les pièces de rechange D'ORIGINE à un Concessionnaire ou Revendeur autorisé.
- Afin de garantir la sécurité et le bon fonctionnement de la machine, faire effectuer l'entretien programmé prévu dans le tableau spécifique de ce manuel.
- Ne pas laver la machine avec des jets d'eau directs ou sous pression ou avec des substances corrosives.
- Lors de la mise à la ferraille, la machine ne doit pas être abandonnée par la présence de matériaux toxiques (composants électroniques etc.), sujets à des lois qui prévoient l'élimination auprès de centres spéciaux (voir le chapitre Mise à la ferraille).

## INSTRUCTIONS DE MISE A LA TERRE DE 120 V C.A.

Cet appareil doit être branché à la terre. En cas de panne électrique, la mise à la terre fournit au courant un chemin de moindre résistance qui réduit le risque de choc électrique. Cet appareil est pourvu d'un cordon muni d'un conducteur de terre et d'une fiche avec broche de mise à la terre. La fiche doit être branchée à une prise électrique de terre correctement installée, appropriée et conforme aux normes et aux lois en vigueur.



### AVERTISSEMENT !

La machine doit être utilisée avec une rallonge de câble d'alimentation de :

- longueur minimum de 15 feet
- type S ou ST ou SO ou STO ou STW
- valeur minimum 300 V 60 / 75°C (140 / 167°F)



### DANGER !

- Le branchement non correct comporte le risque de choc électrique. Demander l'intervention d'un électricien ou d'un technicien qualifié en cas de doutes concernant le branchement de la prise électrique de terre. Ne pas modifier la fiche livrée avec la machine. Si la fiche ne peut pas être branchée à la prise électrique, demander l'intervention d'un électricien qualifié pour installer une prise électrique de terre appropriée.
- Cet appareil est destiné à un circuit de 120 V et est muni d'une fiche avec mise à la terre est semblable à la fiche (B, Fig. 6). Un adaptateur temporaire (C) peut être utilisé pour brancher la fiche à une prise bipolaire (B), si une prise électrique de terre n'est pas disponible. L'adaptateur temporaire doit être utilisé seulement si une prise électrique de terre (A) est installée par un électricien qualifié. L'oreille rigide, le crochet ou tout autre dispositif semblable de couleur vert prolongeant l'adaptateur doit être branché à un élément correctement mis à la terre, comme le couvercle d'une boîte de sortie mise à la terre. L'adaptateur doit toujours être fixé par une vis métallique. Au Canada, l'utilisation d'un adaptateur temporaire n'est pas autorisée.
- Remplacer la fiche si la broche de mise à la terre est endommagée.
- Le fil vert (ou vert / jaune) dans le cordon est le fil de mise à la terre. En cas de remplacement de la fiche, le fil doit être branché seulement à la broche de mise à la terre.
- Les rallonges branchées à la machine doivent être de 12 gauge, le cordon doit être à trois fils, les fiches et les prises à trois broches. NE PAS utiliser de rallonges avec une longueur supérieure à 50 feet (15 m).

## DESCRIPTION DE LA MACHINE

### STRUCTURE DE LA MACHINE

(Figure 1)

1. Poignée
2. Bouton-poussoir de contact/arrêt
3. Bouton-poussoir de solution
4. Câble d'alimentation avec connecteur
5. Plaque avec numéro de série / données techniques / marquage de conformité
6. Pédale de déblocage position d'arrêt
7. Pédale d'abaissement/soulèvement embouchures
8. Poignée d'engagement et transport réservoirs
9. Réservoir solution
10. Bouchon de remplissage réservoir de solution
11. Filtre de solution
12. Réservoir eau de récupération
13. Tête de nettoyage
14. Levier de décrochage/accrochage brosse
15. Brosse cylindrique
16. Embouchures
17. Couvercle de contrôle
18. Tuyau d'aspiration eau de récupération
19. Couvercle filtre à air
20. Bouchon de vidange réservoir eau de récupération
21. Bouchon embout d'aspiration
22. Compartiment moteur aspirateur/brosse
23. Roues arrière
24. Logement poignée transport manuel
25. Support câble d'alimentation

## UTILISATION/FONCTIONNEMENT

### REPLISSAGE DU RÉSERVOIR DE SOLUTION

(Figure 2)



#### AVERTISSEMENT !

*Utiliser exclusivement des détergents liquides peu mousseux et non inflammables, adéquats pour les machines utilisées.*



#### ATTENTION !

*Pendant l'utilisation de détergents pour le nettoyage des sols, suivre toujours les instructions et les avertissements indiqués sur les étiquettes des flacons. Avant la manipulation de détergents pour le nettoyage des sols, mettre les gants et les vêtements de protection adéquats.*

- Décrocher la poignée (8) et enlever le groupe réservoirs de la machine (A).
- Dévisser le bouchon (B) du réservoir de la goulotte de remplissage du réservoir de la solution.
- Remplir le réservoir de la solution (C) avec de l'eau et laisser quelques centimètres du bord. La température de l'eau ne doit jamais être supérieure à 40 °C.
- Pour créer la solution, utiliser le doseur du bouchon (B) du réservoir. La capacité du bouchon est de 30 ml, c'est à dire le 1 % de solution diluée dans le réservoir plein d'eau. Suivre toujours les instructions de dilution sur l'étiquette du conteneur du produit chimique utilisé pour la solution.
- Serrer le bouchon du réservoir de la solution.
- Insérer le groupe réservoirs dans la machine et les accrocher à l'aide de la poignée (D).



#### REMARQUE

*Ne pas faire fonctionner la pompe plus de 1 minute sans eau dans le réservoir de solution (9).*

### DÉMARRAGE DE LA MACHINE (LAVAGE/ SÉCHAGE)

- En utilisant la poignée (1), se porter sur le lieu de travail en poussant la machine sur les roues arrière.
- Brancher la fiche du câble d'alimentation (4) au réseau électrique



#### ATTENTION !

*Avant de brancher la fiche du câble d'alimentation au réseau électrique, s'assurer que la fréquence et la tension indiquées sur la plaque avec numéro de série coïncident avec la tension du réseau.*

- Débloquer la machine en appuyant sur la pédale (6).
- Baisser les embouchures (16) au moyen de la pédale (7).
- Appuyer sur le bouton (2) pour démarrer la machine.
- Appuyer sur le bouton-poussoir (3) pour démarrer le flux de solution.
- Manœuvrer la machine en utilisant la poignée (1) et procéder au travail de lavage/séchage du sol.



#### AVERTISSEMENT !

*Afin d'éviter d'endommager les sols à nettoyer, ne pas tenir en rotation la brosse lorsque la machine est arrêtée.*

### ARRÊT DE LA MACHINE

- Garder la machine en position verticale.
- Éteindre la machine en appuyant sur le bouton-poussoir (2).
- Débrancher la fiche du câble d'alimentation (4) du réseau électrique et l'enrouler autour du logement (25).
- Soulever les embouchures (16) au moyen de la pédale (7).

### TUYAU D'ASPIRATION (en option)

(Figure 3)

- Monter le tuyau d'aspiration sur l'embout d'aspiration (21).
- Appuyer sur le bouton (2) pour démarrer la machine.
- Tourner la bague sur ON (A) pour commencer le travail d'aspiration avec la rallonge fournie.
- Pour interrompre l'aspiration et retourner à la fonction de séchage, tourner la bague sur OFF (B).

### VIDANGE DES RÉSERVOIRS

(Figure 4)

Un système de fermeture automatique à flotteur bloque le système d'aspiration lorsque le réservoir de l'eau de récupération de l'eau (12) est plein.

Le blocage du système d'aspiration peut être détecté grâce à l'augmentation soudaine de la fréquence du bruit du moteur d'aspiration ; en outre, le système d'aspiration ne sèche pas le sol.

Lorsque le réservoir de l'eau de récupération (12) est plein, le vider en procédant comme suit.

#### Vidange du réservoir de l'eau de récupération

- Décrocher la poignée (8) et enlever le groupe réservoirs de la machine (A).
- Décrocher la poignée (B) du réservoir de la solution.
- Dévisser le bouchon (20) et vider le réservoir de l'eau de récupération (12). Le travail effectué, rincer le réservoir à l'eau propre.

#### Vidange du réservoir de la solution

- Dévisser le bouchon (10) et vider le réservoir de solution (9). Le travail effectué, rincer le réservoir à l'eau propre.
- Accrocher à nouveau le réservoir de la solution à l'aide de la poignée (C) au réservoir de l'eau de récupération (12).
- Insérer le groupe réservoirs dans la machine et les accrocher à l'aide de la poignée (D).

### TRANSPORT / STATIONNEMENT DE LA MACHINE

- Effectuer les opérations prévues au paragraphe « Arrêt de la machine ».
- Transporter la machine en suivant une des procédures suivantes :
  - Saisir la poignée (1) et soulever légèrement la machine. Tout en gardant la machine dans cette condition, la pousser dans le lieu de stationnement.
  - Saisir la machine dans le logement (24) et la transporter dans le lieu de stationnement.
- Le travail effectué, enlever la brosse (voir la procédure dans le paragraphe spécifique au chapitre Entretien).

### APRÈS L'UTILISATION DE LA MACHINE

Le travail effectué, avant de laisser la machine :

- Effectuer les opérations prévues au paragraphe « Arrêt de la machine ».
- Déposer la brosse comme indiqué au paragraphe spécifique au chapitre Entretien.
- Vider les réservoirs (12) et (9).
- Effectuer les opérations d'entretien prévues après l'utilisation de la machine (voir le chapitre Entretien).
- Garder la machine dans un endroit propre et sec.

## ENTRETIEN

La durée de vie de la machine et sa sécurité de fonctionnement sont garanties par un entretien soigné et régulier. Veuillez trouver ci-dessous le plan récapitulatif d'entretien programmé. Les périodicités indiquées peuvent subir des variations en fonction de conditions de travail particulières.



### ATTENTION !

**Les opérations d'entretien doivent être effectuées avec la machine à l'arrêt et la fiche du câble d'alimentation débranchée du réseau électrique.**

**En outre, lire attentivement toutes les instructions du chapitre Sécurité.**

## PLAN D'ENTRETIEN PROGRAMMÉ

Procédure	Quotidienne, après l'utilisation de la machine	Hebdomadaire	Semestrielle
Nettoyage des embouchures			
Nettoyage de la brosse			
Nettoyage du réservoir de l'eau de récupération			
Nettoyage du logement de la brosse et du compartiment de contrôle			
Contrôle du câble d'alimentation électrique			
Nettoyage du compartiment de contrôle			
Contrôle des embouchures			
Nettoyage du filtre de solution			
Nettoyage du filtre à air			
Nettoyage du réservoir de solution			
Remplacement des embouchures			

## CONTRÔLE DU CÂBLE D'ALIMENTATION

1. Contrôler soigneusement que le câble d'alimentation (4) et la fiche ne présentent pas de traces d'abrasion, de coupures ou de déchirures et vérifier qu'ils ne sont pas endommagés.  
Si le câble d'alimentation et la fiche sont endommagés, contacter un Service après-vente Clarke avant d'utiliser la machine à nouveau.

## NETTOYAGE DES EMBOUCHURES

(Figure 5)



### AVERTISSEMENT !

**Lors du nettoyage des embouchures et de la brosse, il est conseillé de porter des gants de protection à cause de la présence éventuelle de débris tranchants.**



### REMARQUE

*Pour un bon assèchement, les embouchures doivent être propres et les lamelles en bon état.*



### AVERTISSEMENT !

**Les embouchures sont fixées à la machine à l'aide d'un système d'accrochage et elles peuvent être facilement déposées.**

1. Porter la machine en position d'arrêt.
2. Vérifier que la fiche du câble d'alimentation soit branchée au réseau électrique.
3. Baisser les embouchures (16) au moyen de la pédale (7).
4. Baisser la machine jusqu'à accéder à la partie inférieure de la tête de nettoyage (13).
5. Démontez les embouchures (16) en les tirant à l'extérieur.
6. Nettoyer et laver les embouchures. Nettoyer en particulier les compartiments de convoyage (A, Fig. 4) et l'orifice d'aspiration (B). Contrôler que les lamelles soient en parfait état et ne présentent aucune coupure ou lacération, sans quoi remplacer les embouchures.
7. Monter les embouchures (16) et les accrocher complètement.

## NETTOYAGE DE LA BROSSSE ET DU LOGEMENT DE LA BROSSSE

(Figure 7)

1. Baisser la machine jusqu'à accéder à la partie inférieure de la tête de nettoyage (13).
2. Tourner le levier dans le sens contraire aux aiguilles d'une montre (A) et enlever la brosse.
3. Nettoyer et laver la brosse (15) avec de l'eau et du détergent.
4. Contrôler que les poils de la brosse sont efficaces et non excessivement usés ; dans le cas contraire, remplacer la brosse.
5. Nettoyer le logement (B) de la brosse avec soin.
6. Démontez les doseurs de la solution (C) et les nettoyer avec l'eau et le détergent, puis les rincer et les remonter en position.
7. Installer à nouveau la brosse (15) sur le pion d'entraînement (D) et l'accrocher en tournant le levier dans le sens des aiguilles d'une montre (E).

## NETTOYAGE DU COMPARTIMENT DE CONTRÔLE

(Figure 8)

1. Tourner le levier (A) et démonter le couvercle du compartiment de contrôle (17).
2. Contrôler et nettoyer le compartiment de contrôle (B) avec soin.
3. Monter le couvercle du compartiment de contrôle (17) et tourner le levier (C) pour le fixer à la tête.

## NETTOYAGE DU RÉSERVOIR DE L'EAU DE RÉCUPÉRATION

### (Figure 9)

1. Démonter le groupe réservoirs de la machine en utilisant la poignée (8).
2. Séparer le réservoir de la solution (9) du réservoir de l'eau de récupération (12).
3. Ouvrir le réservoir de l'eau de récupération en agissant sur les accrochages (A et B).
4. Laver et nettoyer avec l'eau et le détergent le compartiment inférieur (C) et supérieur (D) du réservoir, puis rincer avec soin.
5. Installer à nouveau les composants déposés.
6. Si besoin est, laver le réservoir de la solution (9) avec l'eau propre.

## NETTOYAGE DU FILTRE DE LA SOLUTION

### (Figure 10)

1. Démonter le groupe réservoirs de la machine.
2. Démonter à deux joint en caoutchouc (A et B), puis enlever le filet filtrant (C).
3. Les nettoyer et les reposer sur le support (D).

## NETTOYAGE DU FILTRE À AIR

### (Figure 11)

1. Démonter le couvercle (A), puis enlever le filtre à air (B).
2. Nettoyer le filtre.
3. Installer à nouveau le filtre dans son logement (C) et fermer avec le couvercle (A).

## DÉPISTAGE DES PANNES

Problème	Cause possible	Remède
La machine ne fonctionne pas.	Câble d'alimentation ou fiche endommagés.	Remplacer le câble.
	Le bouton-poussoir de contact/arrêt est endommagé.	Remplacer le bouton-poussoir. (*)
Aspiration de l'eau de récupération insuffisante.	Réservoir d'eau de récupération plein.	Vider le réservoir.
	Embouchures sales ou lamelles usées / endommagées.	Nettoyer et contrôler les embouchures.
	Compartiment de contrôle sale.	Nettoyer.
	Le tube d'aspiration est débranché ou est sale.	Brancher ou nettoyer le tube.
	Filtre à air sale.	Nettoyer le filtre.
Flux de solution à la brosse insuffisant.	Filtre de solution sale.	Nettoyer le filtre.
	Doseurs de la solution colmatés.	Nettoyer les doseurs de la solution.
Traces laissées par les embouchures.	Débris sous les lamelles en caoutchouc de les embouchures.	Enlever les débris.
	Lamelles en caoutchouc des embouchures usées, ébréchées ou déchirées.	Remplacer les lamelles en caoutchouc.

(\*) Opération d'entretien de compétence d'un Service après vente agréé Clarke.

Pour de plus amples informations, se référer au manuel d'entretien consultable auprès des Services après-vente Clarke.

## MISE À LA FERRAILLE

Effectuer la mise à la ferraille de la machine auprès d'un démolisseur autorisé.

Avant d'effectuer la mise à la ferraille de la machine il est nécessaire de déposer et séparer les éléments suivants et les envoyer aux collectes sélectives, conformément aux normes d'hygiène de l'environnement en vigueur :

- Brosse
- Tuyaux et pièces en matériel plastique
- Parties électriques et électroniques (\*)

(\*) Notamment pour la mise en décharge des parties électriques et électroniques, s'adresser auprès du centre Clarke le plus proche.

**CARACTÉRISTIQUES TECHNIQUES**

<b>Modèle</b>	<b>Clarke MA10 12E</b>
Capacité réservoir solution	0.8 US gal (3 litres)
Capacité réservoir eau de récupération	1.0 US gal (4 litres)
Dimensions machine (longueur x largeur x hauteur)	15.7 x 14.2 45.3 in (400 x 360 x 1,150 mm)
Largeur de nettoyage	12.5 in (310 mm)
Diamètre brosse	2.6 in (66 mm)
Débit de solution	0.05 US gal/min (0,2 litres/min)
Pression acoustique à l'oreille de l'opérateur (ISO 11201, ISO 4871, EN 60335-2-72) (LpA)	72 dB(A) ± 2 dB(A)
Puissance acoustique émise par la machine (ISO 3744, ISO 4871, EN 60335-2-72) (LwA)	83 dB(A)
Niveau de vibrations au bras de l'opérateur (ISO 5349-1, EN 60335-2-72)	< 98.4 in/s <sup>2</sup> (< 2.5 m/s <sup>2</sup> )
Pente maximum d'usage	2 %
Classe de protection (électrique)	Grounded
Dépression système d'aspiration	0.512 psi (360 mm H <sub>2</sub> O)
Vitesse de rotation de la brosse	2 100 tr/mn
Puissance totale absorbée	1 hp (0.73 kW)
Tension système électrique	110-120 V - 50-60 Hz
Poids avec réservoirs vides	26.4 lb (12 kg)
Poids maximum en ordre de marche (PTC)	33.0 lb (15 kg)
Poids d'expédition	35.3 lb (16 kg)

**ACCESSOIRES / OPTIONS**

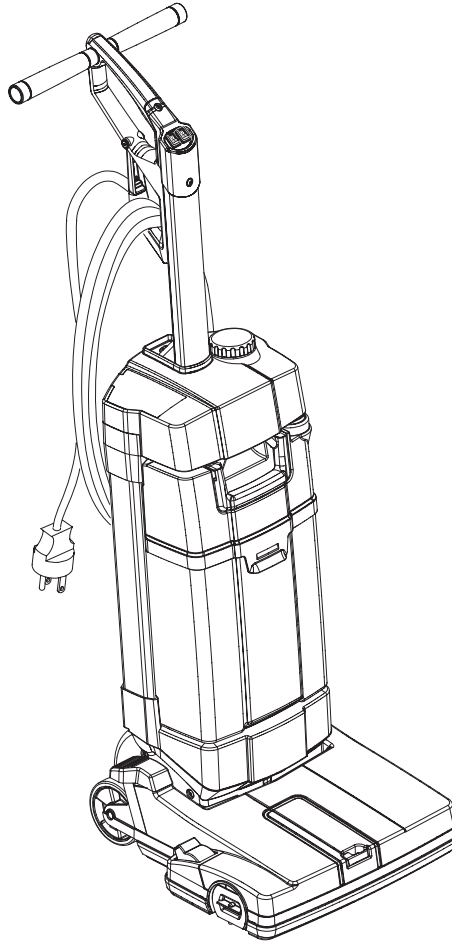
Outre les composants présents dans le modèle standard, la machine peut être équipée des accessoires optionnels suivants, selon l'emploi spécifique de la machine :

107411860	Brosse cylindrique de 310 mm (12,5") en PPL (densité moyenne) (couleur blanc)
107411861	Brosse cylindrique de 310 mm (12,5") en PPL (haute densité) (couleur noir)
107411862	Brosse cylindrique de 310 mm (12,5") en micro-fibre
107411863	Brosse cylindrique de 310 mm (12,5") pour le nettoyage des tapis
107411864	Kit tuyau pour aspiration manuelle
107411865	Kit complet pour le nettoyage des tapis
107411866	Kit poignée à deux mains
107414568	Kit sac à filet
107411867	Kit embouchure de 321 mm (13")
107411868	Kit embouchure de 321 mm (13") pour le nettoyage des tapis

Pour de plus amples informations relatives aux accessoires optionnels susmentionnés, s'adresser au revendeur agréé.

# Clarke®

## MA10 12E



### WHEN ORDERING PARTS

- Use the part numbers from the "REF. NO." columns in this parts list. If the "REF. NO." column is blank; look under the "KIT" column to identify which kit contains the part in question, then use the kit callout, for example "K1", to find the "REF. NO." for that kit.
- Specify the model and serial number of the machine.
- Use the space below to record the model and serial number for future reference.

Model

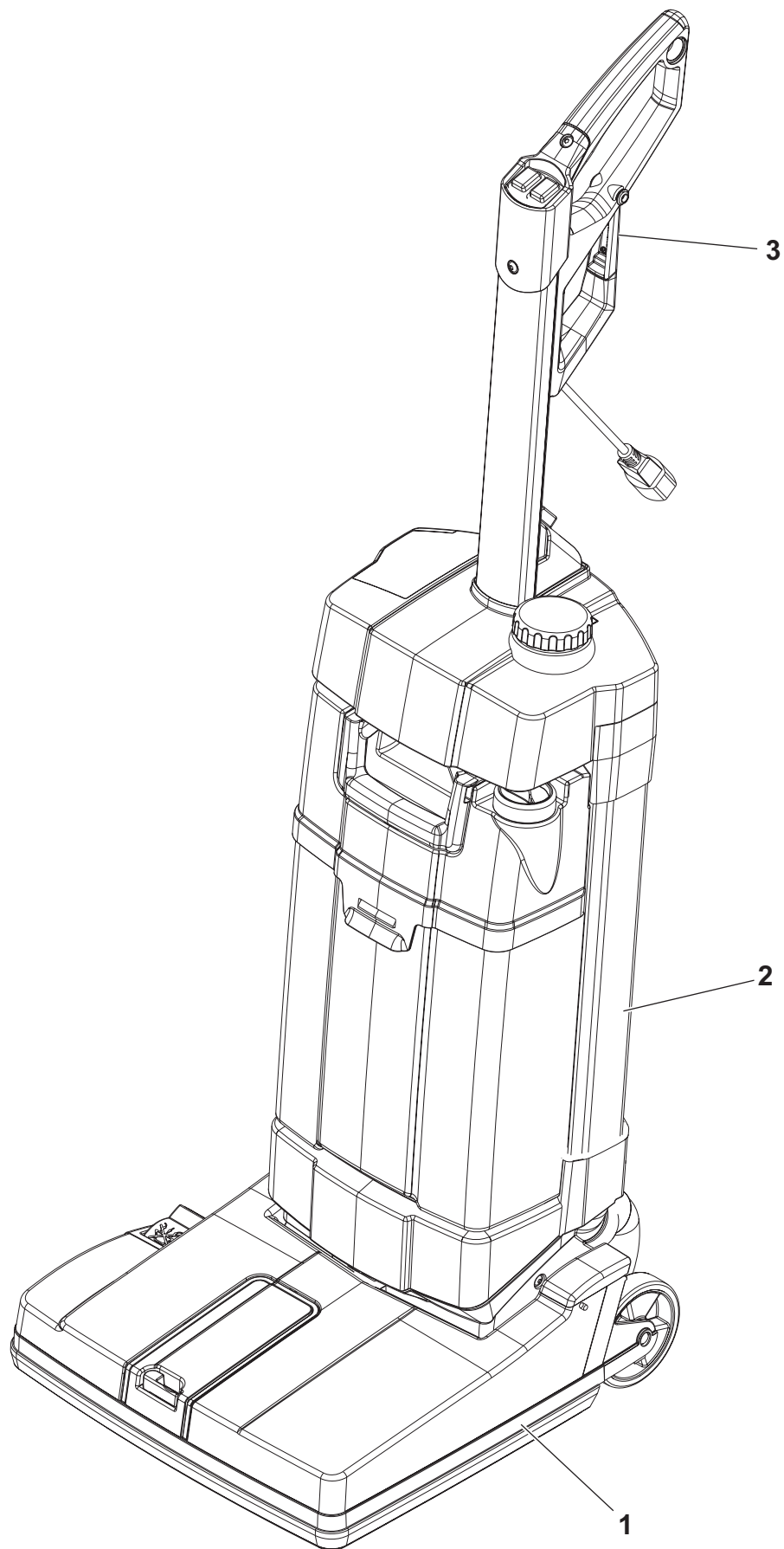
Serial No.

\* = Optional

# = Modified item No. or New item No.

[] = Not shown

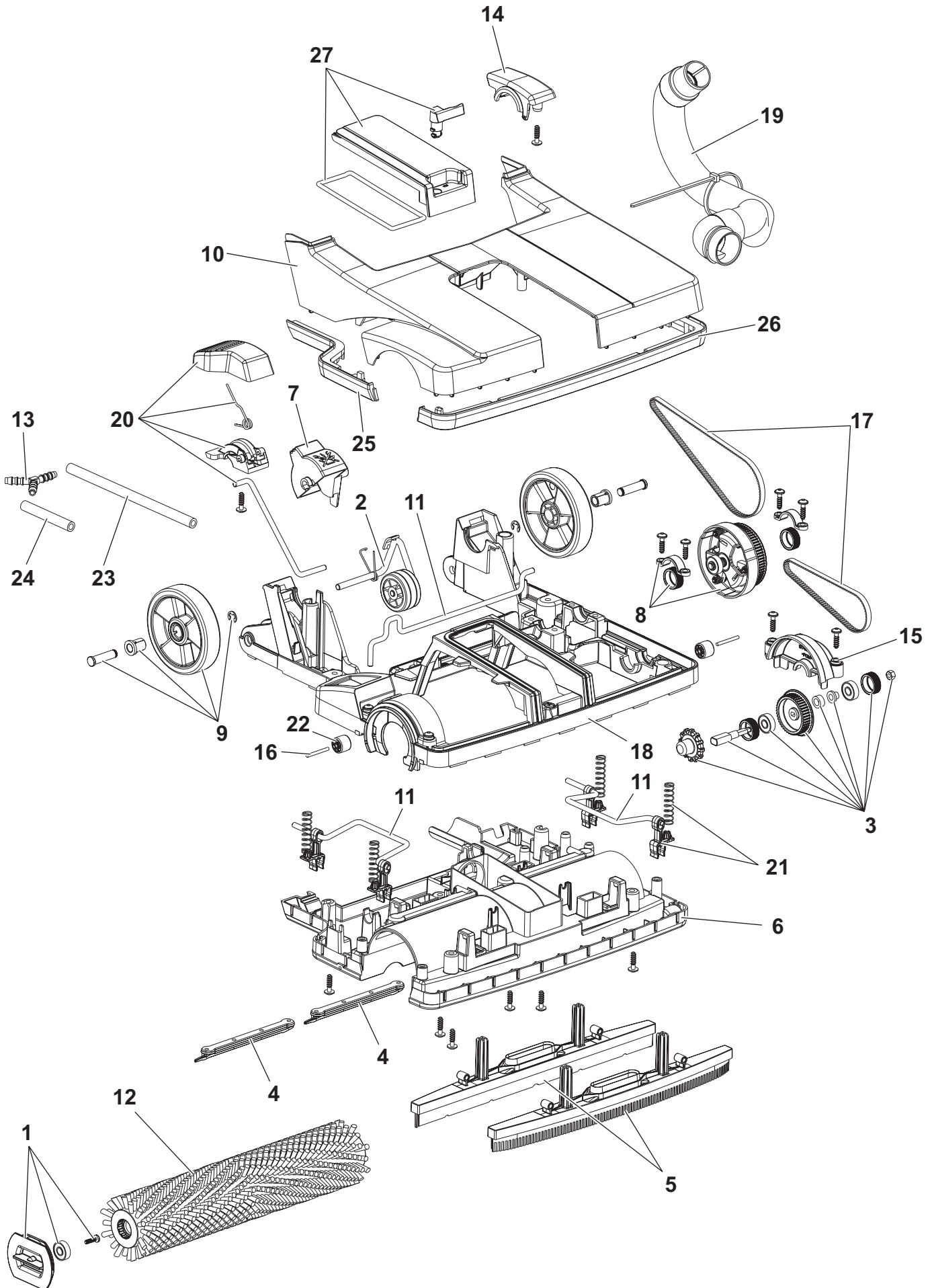
GENERAL VIEW



**GENERAL VIEW**

KIT	ITEM	REF. NO.	QTY	DESCRIPTION
	1		1	NOZZLE HEAD CPL. ALTO
	2		1	BODY CPL. ALTO 230V
	3		1	HANDLE CPL. ALTO
	[4]	107411864	1	MANUAL SUCTION HOSE KIT
	[5]	107411865	1	CARPET COMPLETE KIT
	[6]	107414568	1	ACCESSORY BAG KIT
	[7]	107414842	1	DETACHABLE CORD 15M EU
	[8]	107414843	1	DETACHABLE CORD 15M GB

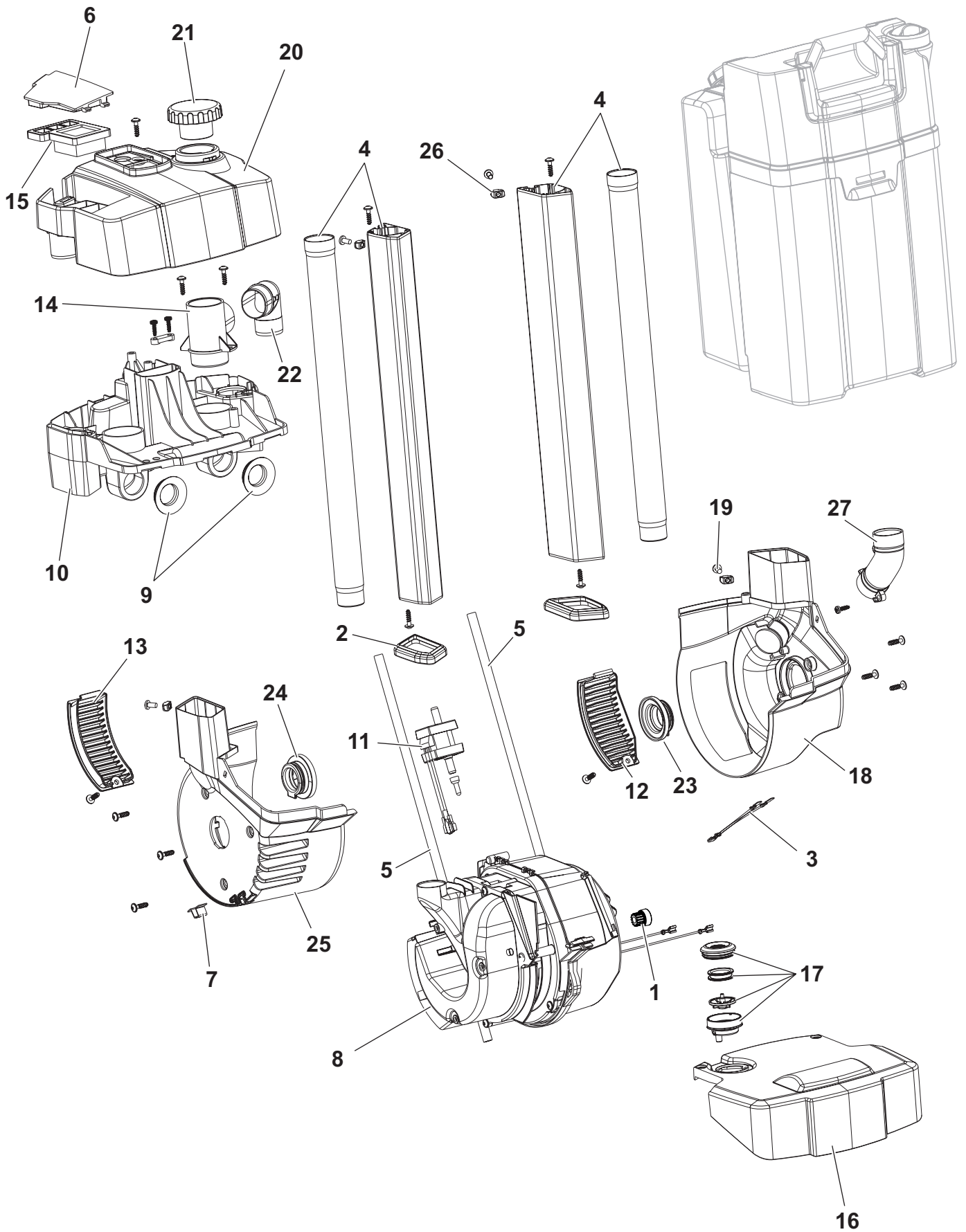
## NOZZLE HEAD



## NOZZLE HEAD

KIT	ITEM	REF. NO.	QTY	DESCRIPTION
	1	107413503	1	KEY LOCK BRUSH JET BLACK
	2	107413471	1	AXLE HIGHT ADJUSTMENT ROLLER
	3	107413495	1	BRUSH MOUNTING
	4	107413493	2	DOSING BRIDGE
	<b>5</b>	<b>107411867</b>	<b>1</b>	<b>SQUEEGEE 321MM 13 KIT</b>
	<b>5</b>	<b>107411868</b>	<b>1</b>	<b>SQUEEGEE 321MM 13 CARPET KIT</b>
K1	6		1	NOZZLE HEAD CHASSIS
	7	107413522	1	SQUEEGEE PEDAL JET BLACK
	8	107413487	1	CLUTCH OVERLOAD CPL
	9	107413515	1	REAR WHEEL Ø90 WITH AXLE CPL.
K2	10		1	TOP COVER CHASSIS ALTO BLUE
	11	107413520	1	SQUEEGEE LIFTER
	<b>12</b>	<b>107411860</b>	<b>1</b>	<b>BRUSH CYL 310MM 12.5 MEDIUM PPL WHITE</b>
	<b>12</b>	<b>107411861</b>	<b>1</b>	<b>BRUSH CYL 310MM 12.5 HARD PPL BLACK</b>
	<b>12</b>	<b>107411862</b>	<b>1</b>	<b>BRUSH CYL 310MM 12.5 MICROFIBRE</b>
	<b>12</b>	<b>107411863</b>	<b>1</b>	<b>BRUSH CYL 310MM 12.5 CARPET</b>
K2	13		1	Y-CONNECTOR FOR Ø6/Ø10 TUBE
	14	107414818	1	BEARING COVER LEFT JET BLACK
	15	107413476	1	BRUSH BEARING COVER
K1	16		2	AXLE FOR SUPPORT ROLLER
	17	107413477	1	BANDO BELT (BRUSH)
K1	18		1	FRAME FOR CHASSIS
	19	107413478	1	HOSE AIRCHANNEL
	20	107413512	1	PARKING PEDAL ORANGE
	21	107413521	4	SQUEEGEE LIFTER, BODY
K1	22		2	SUPPORT ROLLOR
K2	23		1	SILICONE HOSE 10X6
K2	24		1	SILICONE HOSE 10X6
K1	25		1	BUMPER RIGHT
K1	26		1	BUMPER, LEFT
	27	107413488	1	COVER FOR SQUEEGEE CHANNEL JET BLACK
	[K1]	107413509	1	NOZZLE HEAD
	[K2]	107413526	1	TOP COVER CHASSIS ALTO BLUE

## BODY COMPLETE

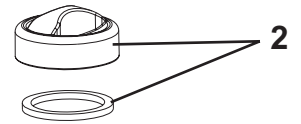
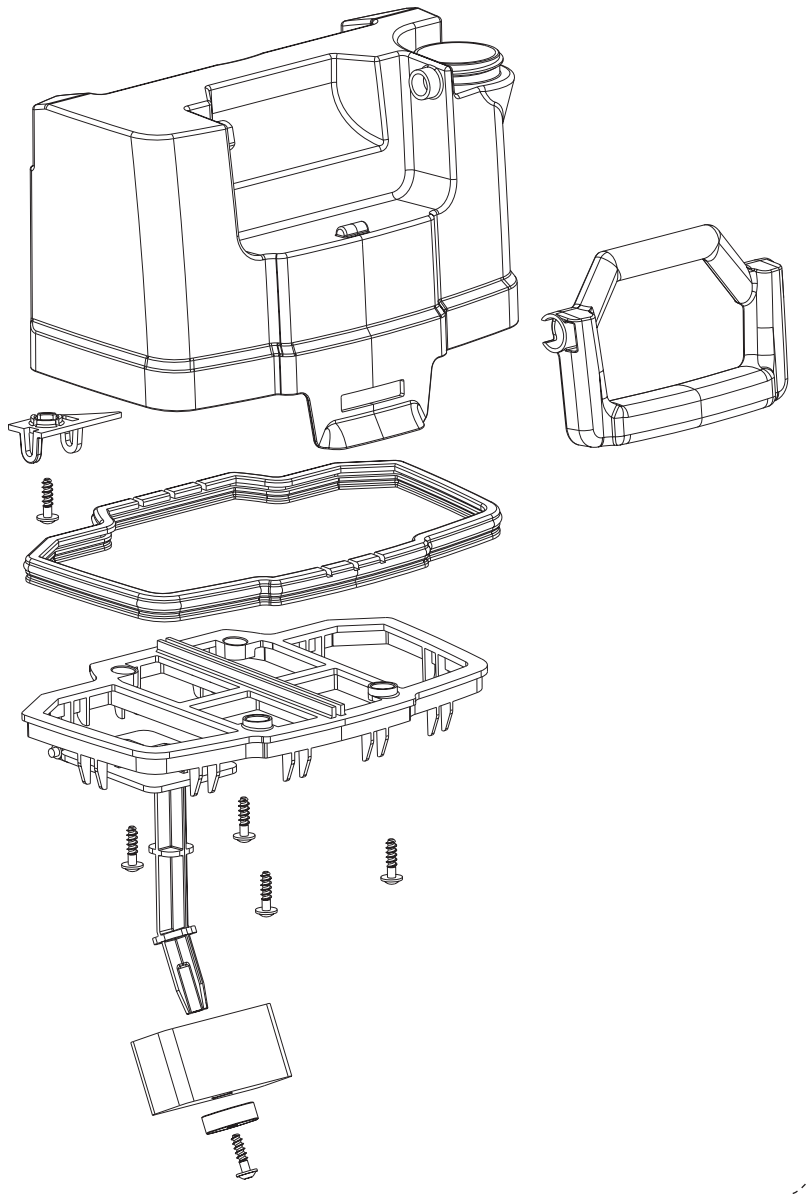


## BODY COMPLETE

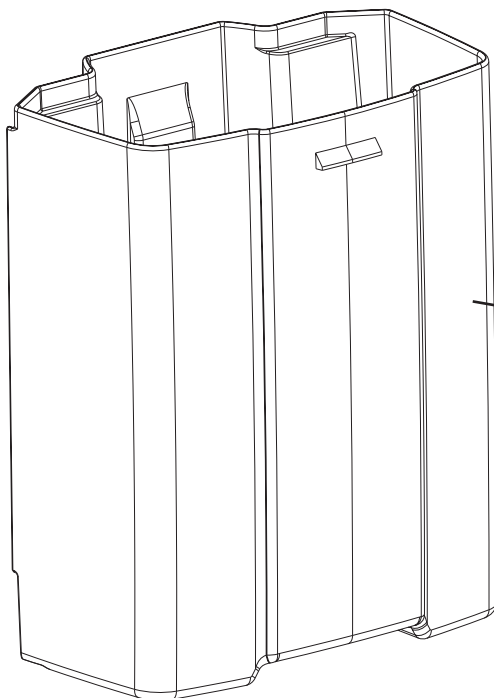
KIT	ITEM	REF. NO.	QTY	DESCRIPTION
	1	107413535	1	COG WHEEL M3 14 T
	2	107414820	2	SEALING F. PROFILE, LEFT RIGHT
	3	107414814	1	WIRE W. FASTONS
	4	107414816	2	PROFIL ALUMINIUM WITH TUBES
	5	107413523	1	SILICONE HOSE 10X6
	6	107413505	1	LID FOR FILTER JET BLACK
K1	7		1	P-CLIP
	8	107416434	1	MOTOR HOUSING US
	9	107413499	1	GASKET IN/OUT
K3	10		1	FLOW BASE JET BLACK
	11	107416429	1	DOSING PUMP, CLARKE
K2	12		1	LID FOR OUTLET, MOTOR
K1	13		1	LID FOR OUTLET, TURBINE
K3	14		1	ADAPTER TOP COVER
	15	107413496	1	FILTER
	16	107414822	1	TOP COVER BASE JET BLACK
	17	107413497	1	SOLUTION FILTER
K2	18		1	BODY LEFT JET BLACK
	19	107413508	1	M5X10 BOLT
K3	20		1	TOPCOVER, ALTO SCRUBTEC 130
	21	107413486	1	CAP FOR SPOT CLEANING BLACK
K3	22		1	ADAPTER TUBE 90°
K2	23		1	POM BEARING LEFT
K1	24		1	POM BEARING RIGHT
K1	25		1	BODY RIGHT JET BLACK
	26	107413529	1	T-NUT, M5
K2	27	107413479	1	BEND FOR SUCTION HOSE
	[K1]	107416425	1	BODY RIGHT RAL 7016
	[K2]	107416426	1	BODY LEFT RAL 7016
	[K3]	107416437	1	TOP COVER CLARKE

RECOVERY TANK

1



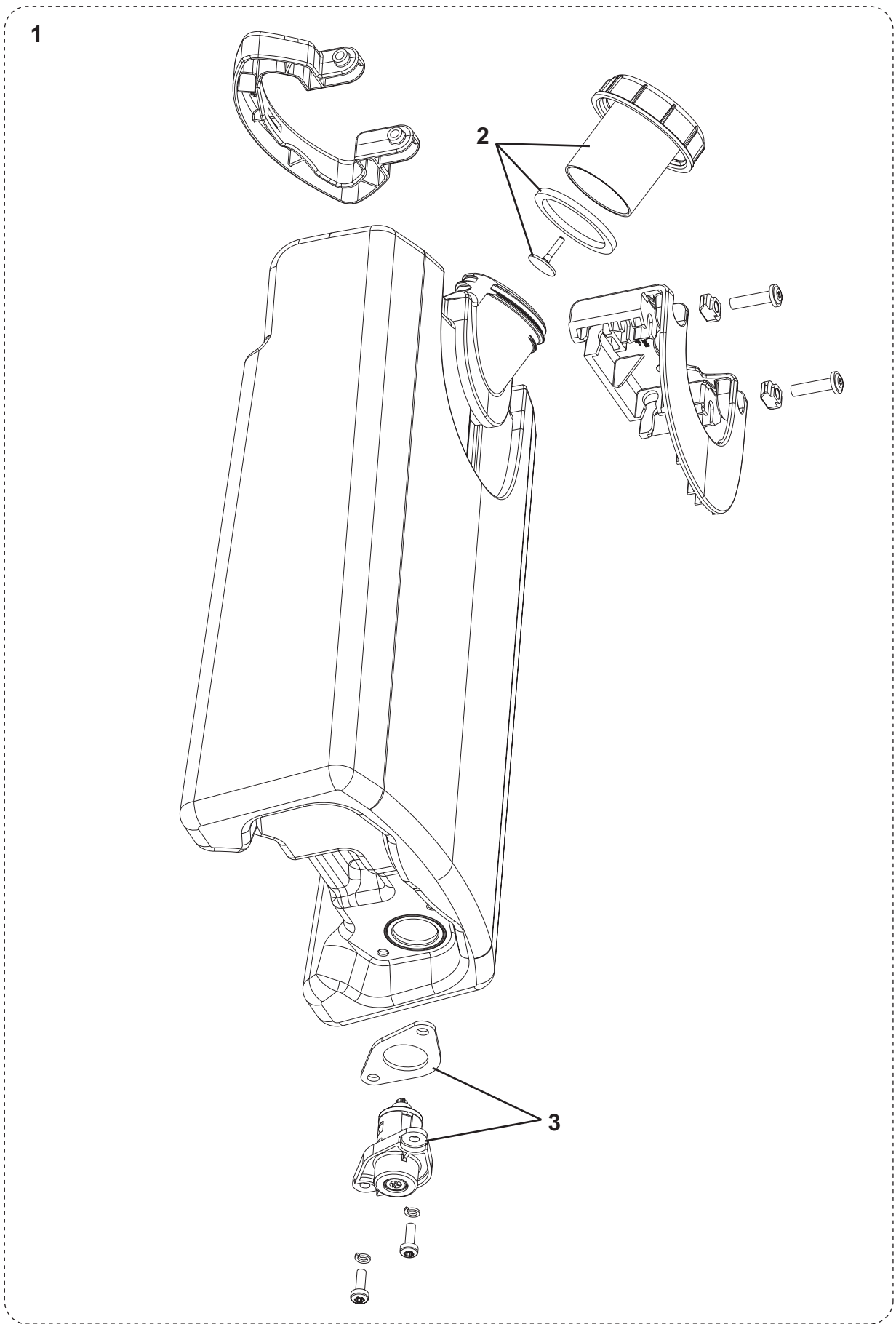
3



**RECOVERY TANK**

KIT	ITEM	REF. NO.	QTY	DESCRIPTION
	1	107413528	1	TOP RECOVERY TANK ALTO BLUE
	2	107413484	1	CAP FOR RECOVERY TANK
	3	107413514	1	RECOVERY TANK ALTO BLUE

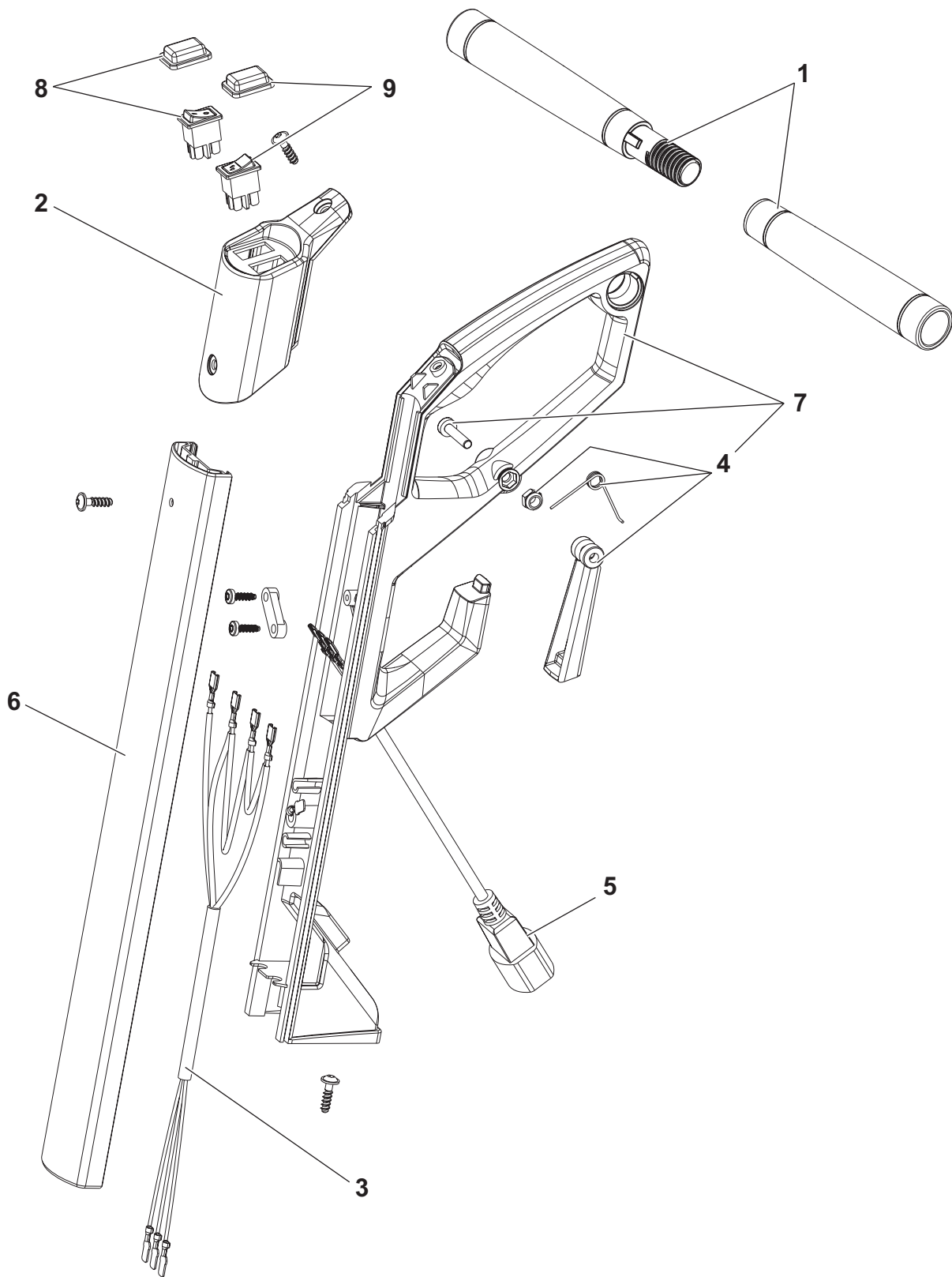
SOLUTION TANK



**SOLUTION TANK**

KIT	ITEM	REF. NO.	QTY	DESCRIPTION
	1	107413518	1	SOLUTION TANK, NO LEVEL INDICATOR
	2	107413485	1	CAP SOLUTION TANK JET BLACK
	3	107413532	1	VALVE FOR SOLUTION TANK CPL.

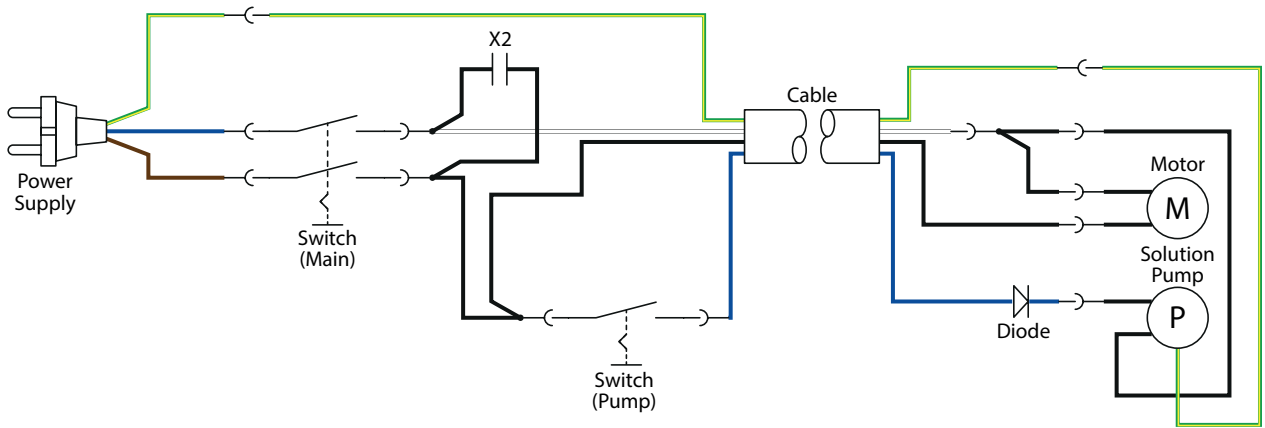
HANDLE COMPLETE



**HANDLE COMPLETE**

KIT	ITEM	REF. NO.	QTY	DESCRIPTION
	1	107413470	1	2-HAND HANDLE
	2	107416436	1	USER INTERFACE COVER, CLARKE
	3	107413482	1	CABLE F. 2 SWITCH UI
	4	107413480	1	CARABINA AND SPRING FOR HANDLE
	5	107413489	1	DETACHABLE CORD MALE PLUG
	6	107413472	1	ALUMINUM TUBE (HANDRAIL)
	7	107416432	1	HANDLE SCRUBBER CLARKE
	8	107413516	1	SWITCH, MAIN
	9	107413517	1	SWITCH F. PUMP

WIRING DIAGRAM



**RECOMMENDED PARTS**

REF. NO.	QTY	DESCRIPTION
<b>NORMAL WEAR</b>		
107411867	1	SQUEEGEE 321MM 13 KIT
107411860	1	BRUSH CYL 310MM 12.5 MEDIUM PPL WHITE
<b>ORDINARY MAINTENANCE</b>		
107413503	1	KEY LOCK BRUSH JET BLACK
107413471	1	AXLE HIGHT ADJUSTMENT ROLLER
107413515	1	REAR WHEEL Ø90 WITH AXLE CPL.
107413477	1	BANDO BELT (BRUSH)
107413478	1	HOSE, AIRCHANNEL
107416434	1	MOTOR HOUSING US
107413496	1	FILTER
107413489	1	DETACHABLE CORD MALE PLUG
107413532	1	VALVE FOR SOLUTION TANK CPL.
<b>EXTRAORDINARY MAINTENANCE</b>		
107413493	2	DOSING BRIDGE
107413509	1	NOZZLE HEAD
107413526	1	TOP COVER CHASSIS BLUE
107413487	1	CLUTCH OVERLOAD CPL
107413488	1	COVER FOR SQUEEGEE CHANNEL JET BLACK
107413535	1	COG WHEEL M3 14 T
107413505	1	LID FOR FILTER JET BLACK
107416426	1	BODY LEFT RAL 7016
107416425	1	BODY RIGHT RAL 7016
107416429	1	DOSING PUMP, CLARKE
107413499	1	GASKET IN/OUT
107413497	1	SOLUTION FILTER
107413486	1	CAP FOR SPOT CLEANING BLACK
107413526	1	TOP COVER CHASSIS BLUE
107413484	1	CAP FOR RECOVERY TANK
107413514	1	RECOVERY TANK BLUE
107413528	1	TOP RECOVERY TANK BLUE
107416432	1	HANDLE SCRUBBER CLARKE
107416436	1	USER INTERFACE COVER, CLARKE
107413517	1	SWITCH F. PUMP
107413516	1	SWITCH, MAIN
107413518	1	SOLUTION TANK, NO LEVEL INDICATOR

**ACCESSORIES/OPTIONAL**

REF. NO.	QTY	DESCRIPTION
107411864	1	MANUAL SUCTION HOSE KIT
107411865	1	CARPET COMPLETE KIT
107414568	1	ACCESSORY BAG KIT
107416424	1	DETACHABLE CORD 15M US
107411867	1	SQUEEGEE 321MM 13 KIT
107411868	1	SQUEEGEE 321MM 13 CARPET KIT
107411860	1	BRUSH CYL 310MM 12.5 MEDIUM PPL WHITE
107411861	1	BRUSH CYL 310MM 12.5 HARD PPL BLACK
107411862	1	BRUSH CYL 310MM 12.5 MICROFIBRE
107411863	1	BRUSH CYL 310MM 12.5 CARPET

**Clarke**<sup>®</sup>

9435 Winnetka Ave North  
Minneapolis, MN 55445

[www.clarkeus.com](http://www.clarkeus.com)

Phone: 800-253-0367

Fax: 800-825-2753

©2016 Nilfisk, Inc.

---

**A Nilfisk Brand**