

**Parts and Service Manuals From:**



**On Line Materials for the Jan San Industry.**

**Since 1922**

**Michigan Company Inc.  
2011 N. High St.  
Lansing, Mi 48906  
(517) 484-9312**

**[Http://www.Michco.Com](http://www.Michco.Com)**

**Email:Shop@Michco.com**

**Order parts on line or by Phone**

**Visa, MasterCard, Amex**

**Shipping to US addresses only.**

**Materials contained in this manual Copyright respective manufacturer, PDF version made exclusively by Michco for our customer's use only. Any other use of PDF version violates our PDF copyright.**

# BAC PAC

**ORDER #85900**

**10 Quart Dry Bac Pac Vacuum**

## FEATURES

- Unique Housing with Molded in Back Support for Optimal Comfort
- 50' Power Cord
- Standard 5' Attachment Hose
- UL Approved Motor

The Betco Bac Pac Vacuum is designed for productivity! The unique housing design provides the operator with a comfortable easy to use vacuum. With the Betco accessory kit you will be able to vacuum carpet, upholstery, office partitions and much more!

## WARRANTY

Tank: 10 Year

Other components: 3 Year\*

\*Please refer to Betco Equipment Price/Product Guide for complete equipment warranty information.



## SPECIFICATIONS

- Vacuum Motor: Flow Through 2 Stage
- Amp Draw: 7 amps
- Volts: 115 AC
- Power Cord: 50'
- Vacuum Hose 5'
- Weight: 12 Lbs.
- Decibel Rating: 60dB

## APPLICATIONS

- Residential/Commercial Carpet
- Office Partitions
- Blinds/Draperies
- Vent and Duct Cleaning

## OPTIONS

Lightweight Dry Kit #85214

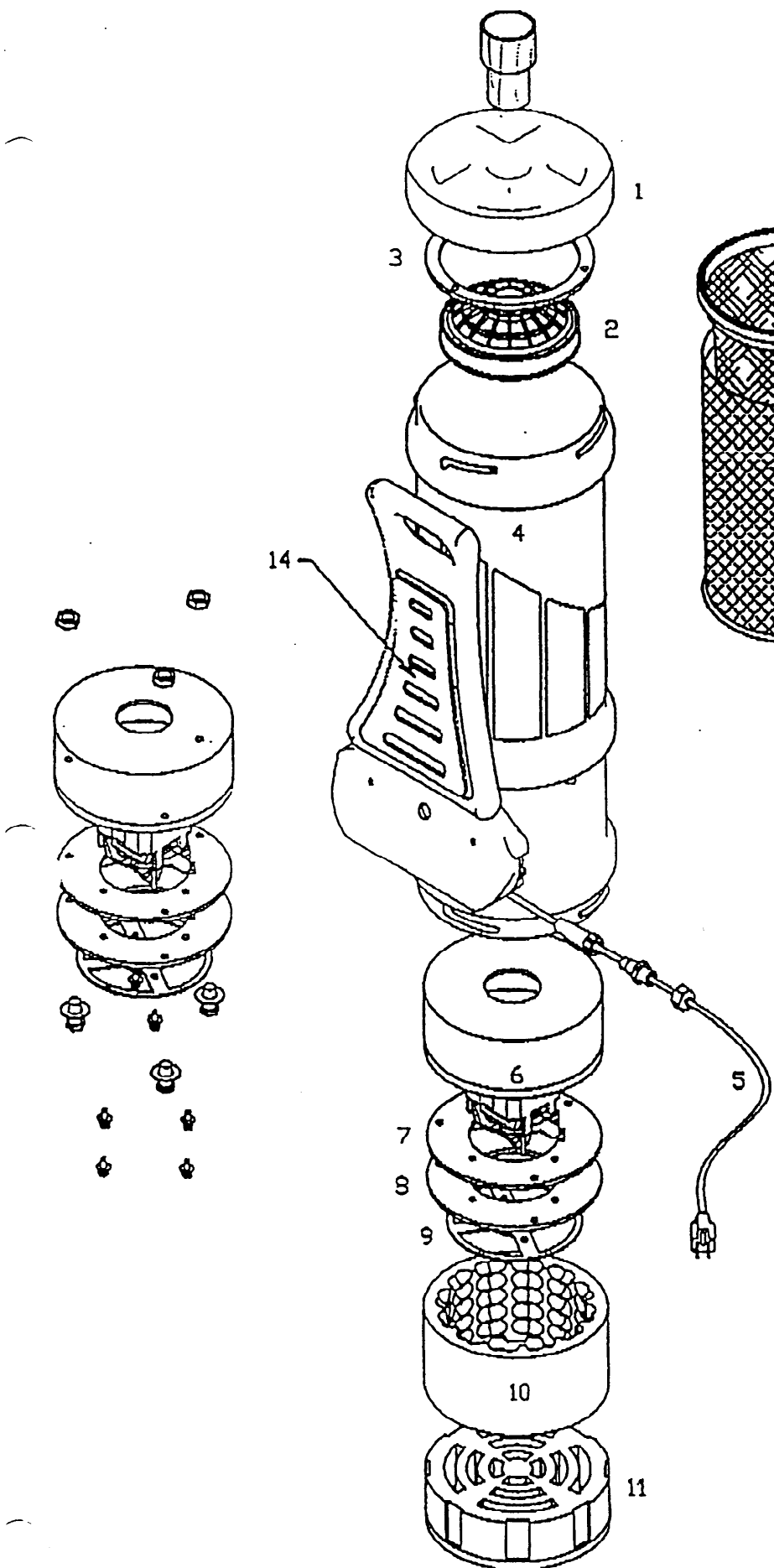
Heavy Duty Dry Kit #85215

**Authorized Betco Distributor:**

**Better Solutions Come From...**

**BETCO**®

1001 Brown Avenue • P.O. Box 3127 • Toledo, Ohio 43607-0127  
©All Rights Reserved 6/98 • Reorder #85900



### Bac Pac Parts Schematic

SKU#	RE/#	Description
<b>Machines</b>		
85900		Bac Pac W/ 5" Hose
<b>Accessories</b>		
85905		Dry Filter Bag
85906		Paper Filter Bags (10/Pkg)
85907		5' Smooth Bore Hose
85908		50' Safety Orange Power Cord
<b>Parts</b>		
85910	1	Threaded Cap
85911	2	Vacuum Motor Dome
85912	2a	Hepa Dome Filter
85913	3	Motor Mounting Ring
85914	4	Ergonomic Vacuum Body
85915	5	18" Electric Cord
85916	5a	Pig Tail Strain Relief
85917	5b	Pig Tail Strain Relief Nut
85918	6	Vacuum Motor Dome
85919	6a	Motor Bolts (3)
85920	6b	Washers (10)
85921	6c	Nylock Nuts (3)
85922	7	Vacuum Gasket
85923	8	Vacuum Mounting Plate
85924	8a	3/4" Self Tapping Screw
85925	9	Dual Cell Deflector Plate
85926	9a	1/2" Self Tapping Screws
85927	10	Sound Absorbing Foam
85928	11	Dual Cell Noise Filter
85906	12	Paper Filter Bag (10/Pkg)
85905	13	Cloth Filter & Gasket
85929	14	Cushioned Back Pad
85930	15	Belt & Shoulder Harness
85931	15a	Belt Allen Screws
85932	15b	Belt Washers
85933	16	Spade Female Insulated 14
85934	17	Spade Terminal Insulated 14
85935	18	Ring Terminal 3/16 ID



## Operator Manual - Bac Pac Vacuums

### INTRODUCTION

This manual will help you get the most from your Betco Bac Pac Vacuum. Read it thoroughly before operating.

The Betco Vacuum is intended for commercial use.

#### PARTS & SERVICE:

Contact your BETCO AUTHORIZED DISTRIBUTOR for repair parts or service. Please specify the Model & Serial Number when discussing your machine.

#### NAME PLATE:

The Model & Serial Number of your machine is located on the Name Plate on the vacuum tank assembly. This information is often needed when ordering repair parts for the machine.

---

### IMPORTANT SAFETY INSTRUCTIONS

When using an electrical appliance, basic precautions should always be followed, including the following:  
Read all instructions before using.

#### **! WARNING !**

To reduce risk of fire, electric shock, or injury:

- \* Do not leave the machine when it is plugged in. Unplug the unit from the outlet when not in use & before servicing.
- \* To avoid electric shock, do not expose machine to rain. Store indoors.
- \* Do not allow to be used as a toy. Close attention is necessary when used by or near children.
- \* Use only as described in this manual. Use only manufacturer's recommended attachments.
- \* Do not use with damaged cord or plug. If machine is not working as it should return it to a service center for inspection.
- \* Do not pull or carry by cord, use cord as a handle, close a door on a cord, or pull cord around sharp edges or corners. Do not run machine over cord. Keep cord away from heated surfaces.
- \* Do not unplug by pulling on cord. To unplug, grasp the plug, not the cord.
- \* Do not handle plug or machine with wet hands.
- \* Do not put any foreign object into openings. Do not use with any opening blocked; keep free of dust, lint, hair, & anything that may reduce air flow.
- \* Keep hair, loose clothing, fingers, & all parts of body away from openings & moving parts.
- \* Turn off all controls before unplugging.
- \* Do not use in or around flammable or combustible liquids such as gasoline or use in areas where they may be present.
- \* Connect to a properly grounded outlet only. See grounding instructions.

---

### GROUNDING INSTRUCTIONS

This machine must be grounded. If it should electrically malfunction, grounding provides a path of least resistance for electric current to reduce the risk of electric shock. This machine is equipped with a cord having an equipment-grounding conductor & grounding plug. The plug must be plugged into an appropriate outlet that is properly installed & grounded in accordance with all local codes & ordinances.

#### **! DANGER !**

Improper connection of the equipment-grounding conductor can result in a risk of electric shock. Check with a qualified electrician or service person if you are in doubt as to whether the outlet is properly grounded. Do not modify the plug provided with the machine. If plug will not fit the outlet, have a proper outlet installed by a qualified electrician.

---

Replace the plug if the grounding pin is damaged or broken.

Extension cords connected to this machine should be 12 gauge, 3-wire cords with 3-prong plugs & outlets. DO NOT use extension cords more than 50 feet long.

#### PREPARING THE MACHINE FOR OPERATION

**! WARNING !**

This machine contains moving parts. To reduce the risk of injury, always unplug the power cord before servicing.

Unwrap the power cord completely & plug into a properly grounded outlet.

Install cloth filter bag. ( optional paper bag may also be used.)

Attach hose to tank inlet.

Select proper floor tool. Install selected tool on 2 bend wand.

Turn switch located on vacuum tank to on position.

You are now ready to begin your cleaning task.

#### AFTER USE

Unplug the power cord, starting from the machine wrap the power cord onto the tank assembly.

Completely empty tank filter of debris.

Wipe the entire machine with a clean, damp cloth.

Inspect the machine & all accessories for damage. Perform any required maintenance or repairs before storage.

Store the machine in a clean, dry place.

Thank you for choosing



Floor Care Equipment!