



Electronic Service Manuals

This electronic document is provided as a service to our customers. We do not create the contents of the information contained in this document. Should you have detailed questions pertaining to the information contained in this document, you may contact Michco, or the manufacturer which provided the original information in this electronic deliverable. Michco's only part in this electronic deliverable was the electronic assembly process. By providing this manual online we are not guaranteeing parts availability.

You may contact Michco through the following methods:

Phone (517) 484-9312

2011 N. High St. -- Lansing, Michigan -- 48906

Fax: (517) 484-9836

Email: CustomerService@Michco.com

Website: www.Michco.Com

Order Parts online at:

www.Michco.Com

Directly to Parts & Service:

By Email: **CustomerService@Michco.com**

By Fax: (517) 484-9836

By Voice: (517) 484-9312

Serving the Cleaning Industry Since 1922

Notice: All copyrighted material remains property of original owners, all trademarks are property of respective owners. Manuals are subject to Manufacturer's reproduction limitations. Originals or reproductions were provided by manufacturers through a request. We make no warranty as to the correctness of information provided in this document and you assume all risk. By placing these manuals on line we are not declaring our corporation to be an manufacturer authorized dealer or provider, please check our web site for authorized manufacturers we represent.

Pourman™ 25 Gallon Solution Applicator

Operator's Manual Parts Schematic

Item #83008-00



Chemicals
Equipment
Programs
Process



General Safety Information

When using this product, basic precautions should always be followed, read all instructions before using.

! WARNING! To reduce risk of injury:

- Do not allow to be used as a toy. Close attention is necessary when used by or near children.
- Use only as described in this manual. Use only manufacturer's recommended attachments.
- Wear proper anti-slip shoes when operating this machine.
- Always use safety gloves and glasses when mixing chemicals.
- Do not use with if damaged. If machine is not working as it should return it to a service center for inspection.
- Do not put any foreign object into openings. Do not use with any opening blocked; keep free of dust, lint, hair, & anything that may reduce flow.
- Turn off valve for storage.
- Do not use in or around flammable or combustible liquids such as gasoline or use in areas where they may be present.

Preparation and Operation

Attach front mount solution bracket to base of machine.

Attach stainless steel solution spreader bar to front mount bracket. Make sure spreader broom is positioned on front of machine. Tighten plastic knobs hand tight only.

Insert plastic solution hose coupler into plastic solution spreader bar in side stainless steel solution spreader.

Be sure solution valve is in the off position.

Fill tank with water and appropriate chemical for job.

You are now ready to begin your cleaning task.

Open solution valve to appropriate flow rate.

Pull the machine backwards at a pace that allows solution to spread evenly.

After Use

Drain all left over solution from tank.

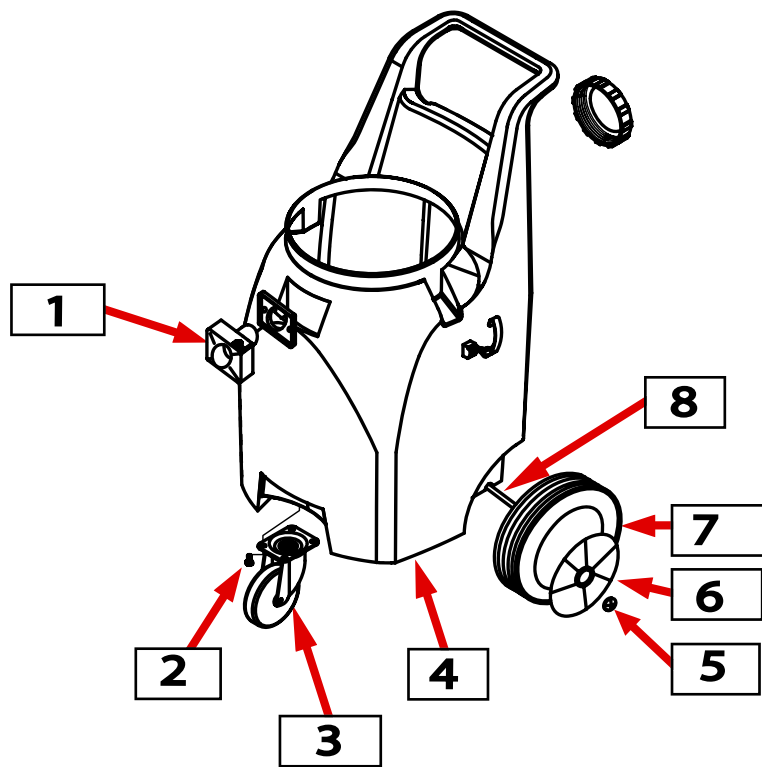
Rinse tank with water.

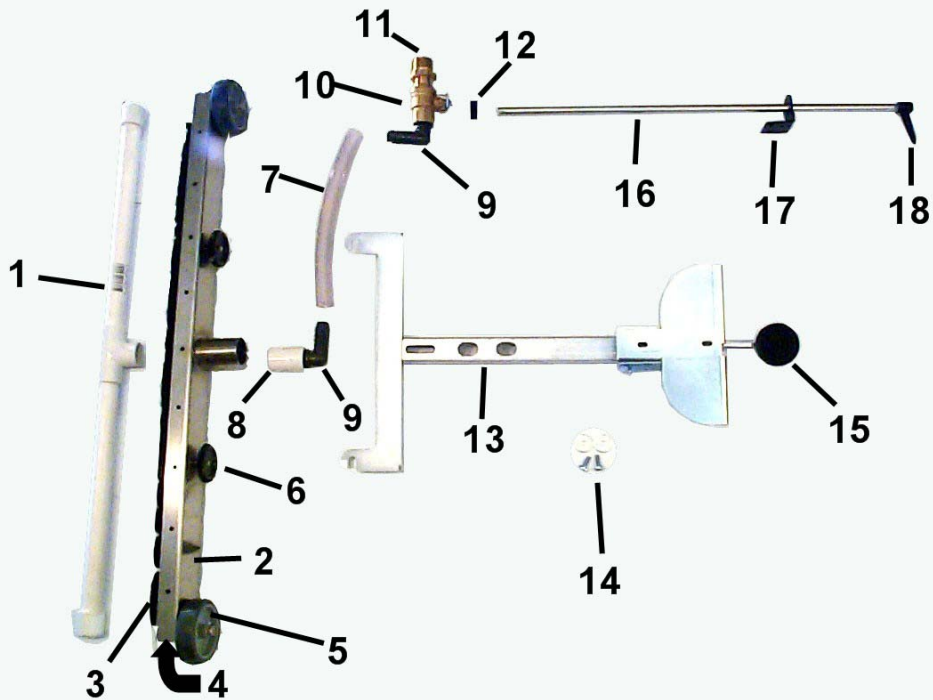
Remove stainless steel solution spreader and rinse with water..

Wipe the entire machine with a clean, damp cloth.

Inspect the machine & all accessories for damage. Perform any required maintenance or repairs before storage.

Store the machine in a clean, dry place.





Pourman Solution Applicator

View#	Betco SKU	Cross Ref.	Tanks and Casters Parts
1	NA	NA	Tank Hole Plate
2	8203400	90021	20 Gal Mounting Bolt/Front Caster
3	8203500	60123	20 Gal Front Caster
4	8203300	60122	20 Gal Tank
5	8203100	58036	20 Gal Rear Wheel Axle Cap
6	8203000	940042	20 Gal Rear Wheel Hub Cap
7	8330600	940041	20 Gal Rear Wheels
8	8202900	75015/8	20 Gal Axle
NA	8330700	60150	20 Gal Large Tip/Pour Drain Cap
NA	8202700	PL061	Plastic Tank Clamps
View#	Betco SKU	Cross Ref.	Front Mount Solution Bar
1		4007	Spreader Bar
2		41.004	Stainless Steel Front Mount Channel
3		41.015	Solution Spreader Broom
4		225-L	Spreader Bar Clips
5		41.016	Wheel
6		94.0049	Knob
7		6053	Solution Hose
8		D-2466	PVC Fitting
9		D-2609	PVC Elbow
10		PN-40	Ball Valve Brass
11		PN-41	Brass Adapter
12		CLI5015	1/2 Split Collar
13		41.002	Lift Bracket
14		41.001	Mounting Hardware
15		41.006	Rubber Pad
16		DK--1233	Valve Rod
17		DK-1234	Rod Guide
18		DK-1235	Rod Handle