



Electronic Service Manuals

This electronic document is provided as a service to our customers. We do not create the contents of the information contained in this document. Should you have detailed questions pertaining to the information contained in this document, you may contact Michco, or the manufacturer which provided the original information in this electronic deliverable. Michco's only part in this electronic deliverable was the electronic assembly process. By providing this manual online we are not guaranteeing parts availability.

You may contact Michco through the following methods:

Phone (517) 484-9312

2011 N. High St. -- Lansing, Michigan -- 48906

Fax: (517) 484-9836

Email: CustomerService@Michco.com

Website: www.Michco.Com

Order Parts online at:

www.Michco.Com

Directly to Parts & Service:

By Email: **CustomerService@Michco.com**

By Fax: (517) 484-9836

By Voice: (517) 484-9312

Serving the Cleaning Industry Since 1922

Notice: All copyrighted material remains property of original owners, all trademarks are property of respective owners. Manuals are subject to Manufacturer's reproduction limitations. Originals or reproductions were provided by manufacturers through a request. We make no warranty as to the correctness of information provided in this document and you assume all risk. By placing these manuals on line we are not declaring our corporation to be an manufacturer authorized dealer or provider, please check our web site for authorized manufacturers we represent.

PS24

ORDER #87050

24" Propane Stripping Machine

FEATURES

- 24" Stripping path
- 11 hp Honda engine
- Electric starter
- Large non-marking transport wheels
- Variable speed
- Enclosed belt drive system
- Total-grip adjustable handle assembly
- Splash guard

Betco propane stripping machines are designed for maximum performance and productivity. The powerful 11 hp Honda engine delivers the power necessary to remove tough soils and finishes from floor surfaces. You'll be amazed by the results this machine produces. All Betco machines are built with the highest quality components, which means durability, safety and performance.

WARRANTY

The 11 hp Honda engine is warranted by Honda for 2 years against manufacturer's defect.

All other components (except wear items)* are warranted by Betco for 3 years.

*Wear items not covered under warranty are: wheels, filters, throttle cable, pad driver and handle grips.

*Please refer to Betco Equipment Price/Product Guide for complete equipment warranty information.

Authorized Betco Distributor:



SPECIFICATIONS

- Brush Speed: Variable, 200 - 350 RPM
- Brush Size: 24"
- Engine: 11 hp Honda
- Electric Start System: 110 volt
- Propane Tank: Included
- Weight: 270 lbs.

APPLICATIONS

- Heavy duty wet stripping

Better Resources. Better Results.

BETCO®

1001 Brown Avenue • P.O. Box 3127 • Toledo, Ohio 43607-0127
©All Rights Reserved 3/99 • Reorder #87050

BETCO BETTER SOLUTIONS

OFFERING THE TOTAL SOLUTION.

Betco is now the only manufacturer with a complete line of products for the cleaning professional.



Complete Floor Machine, Vacuum and Scrubber Line.



Complete Carpet Care Program.



Complete Training Programs.



Complete Chemical Programs, Cleaners, Floor Care and specialties.



Complete Hand Cleaner Line.



Nationwide Support.

Let Betco be your single source manufacturer.

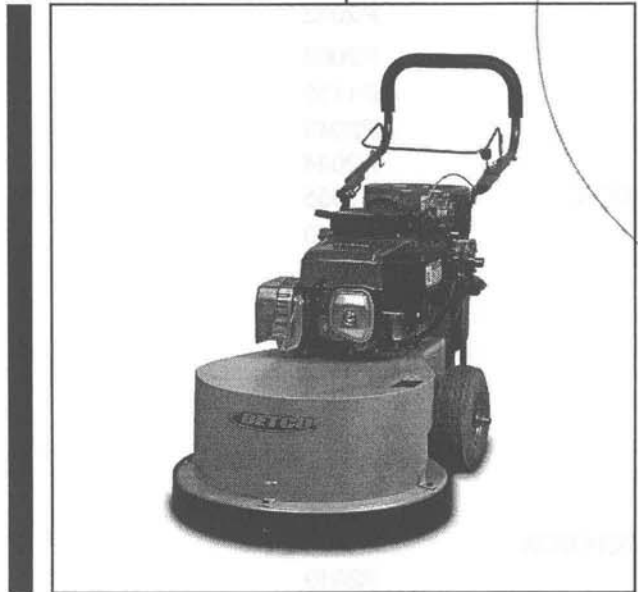
Better Solutions Come From...

BETCO®

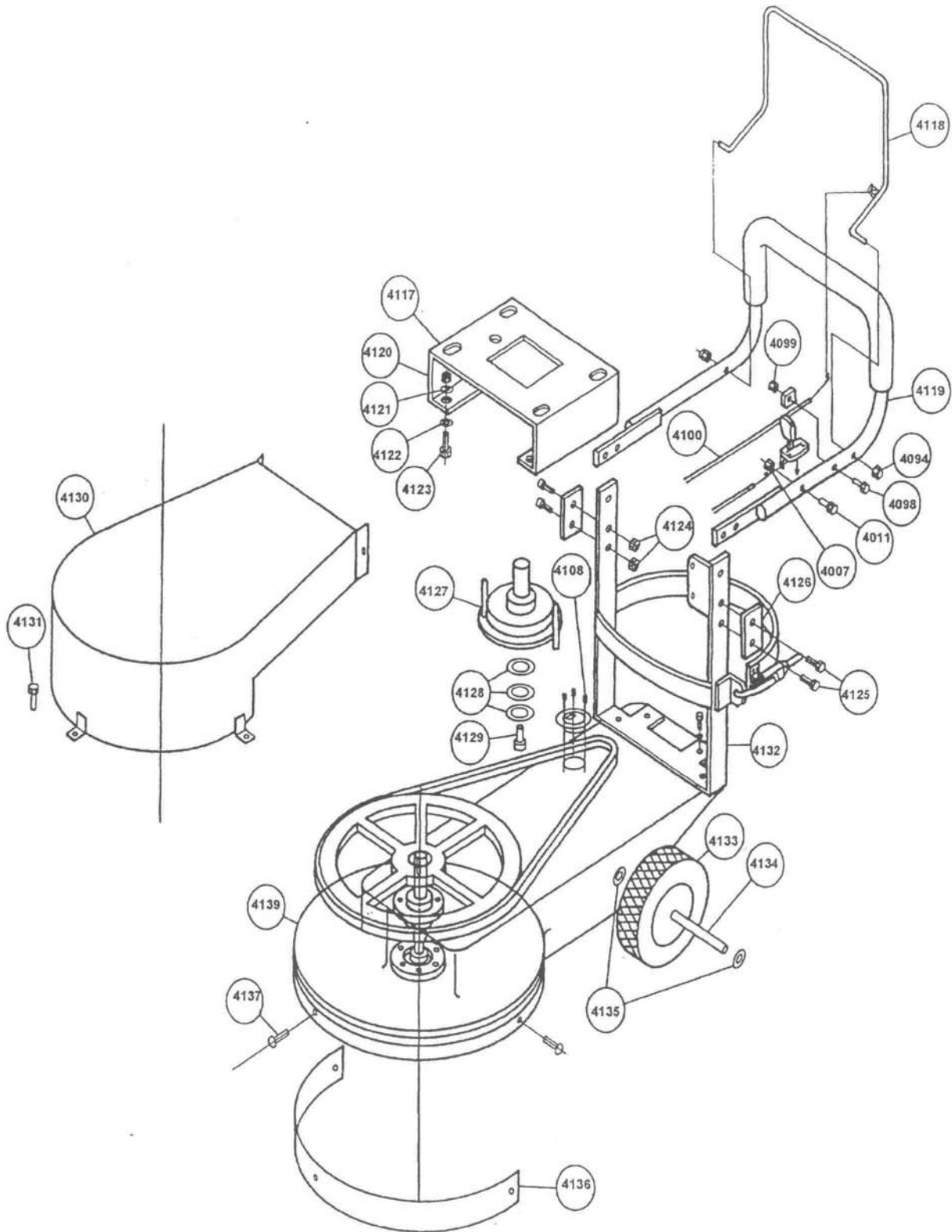
PS24 24" Propane Stripping Machine

Parts Schematic

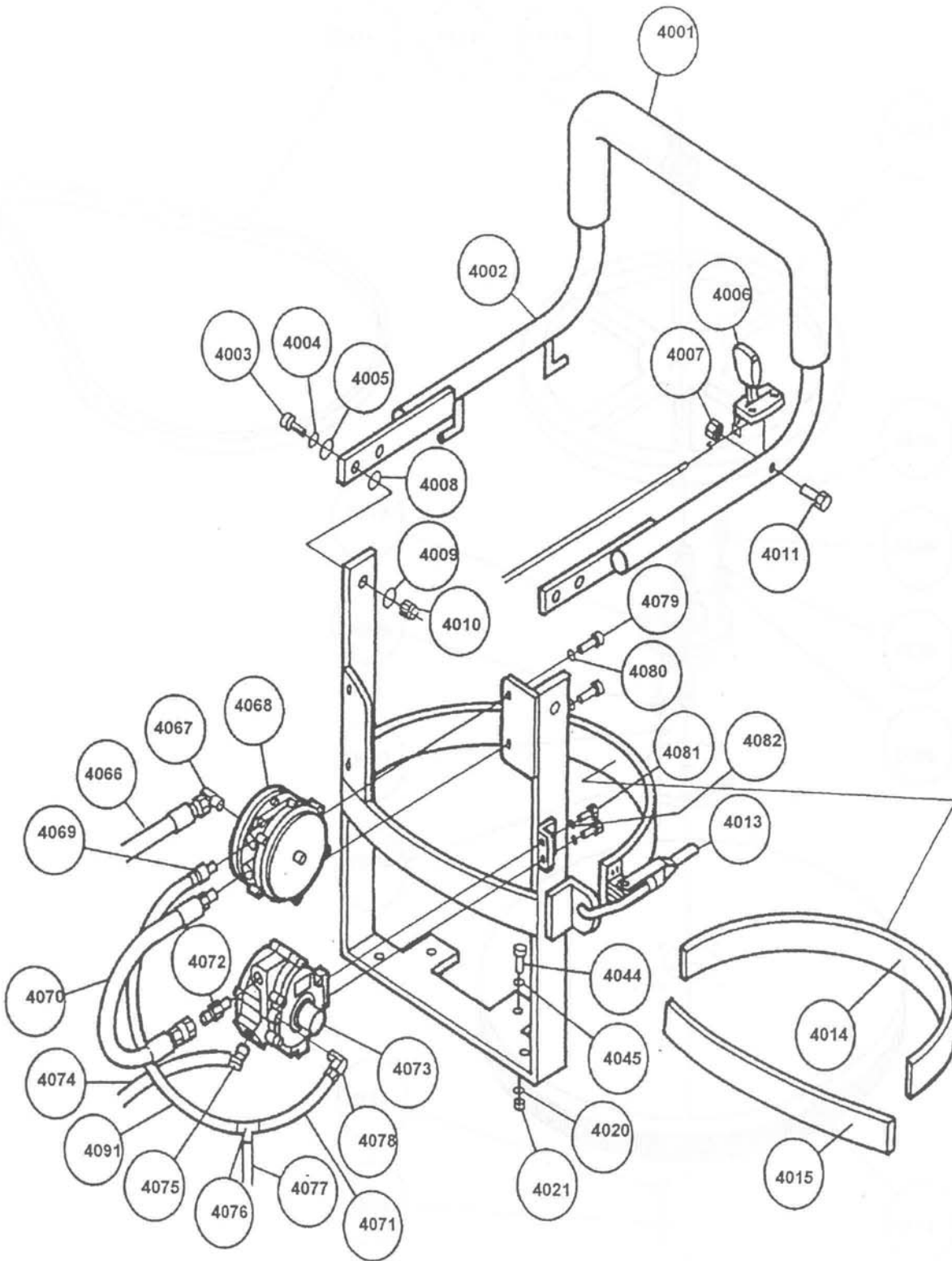
Item #87050



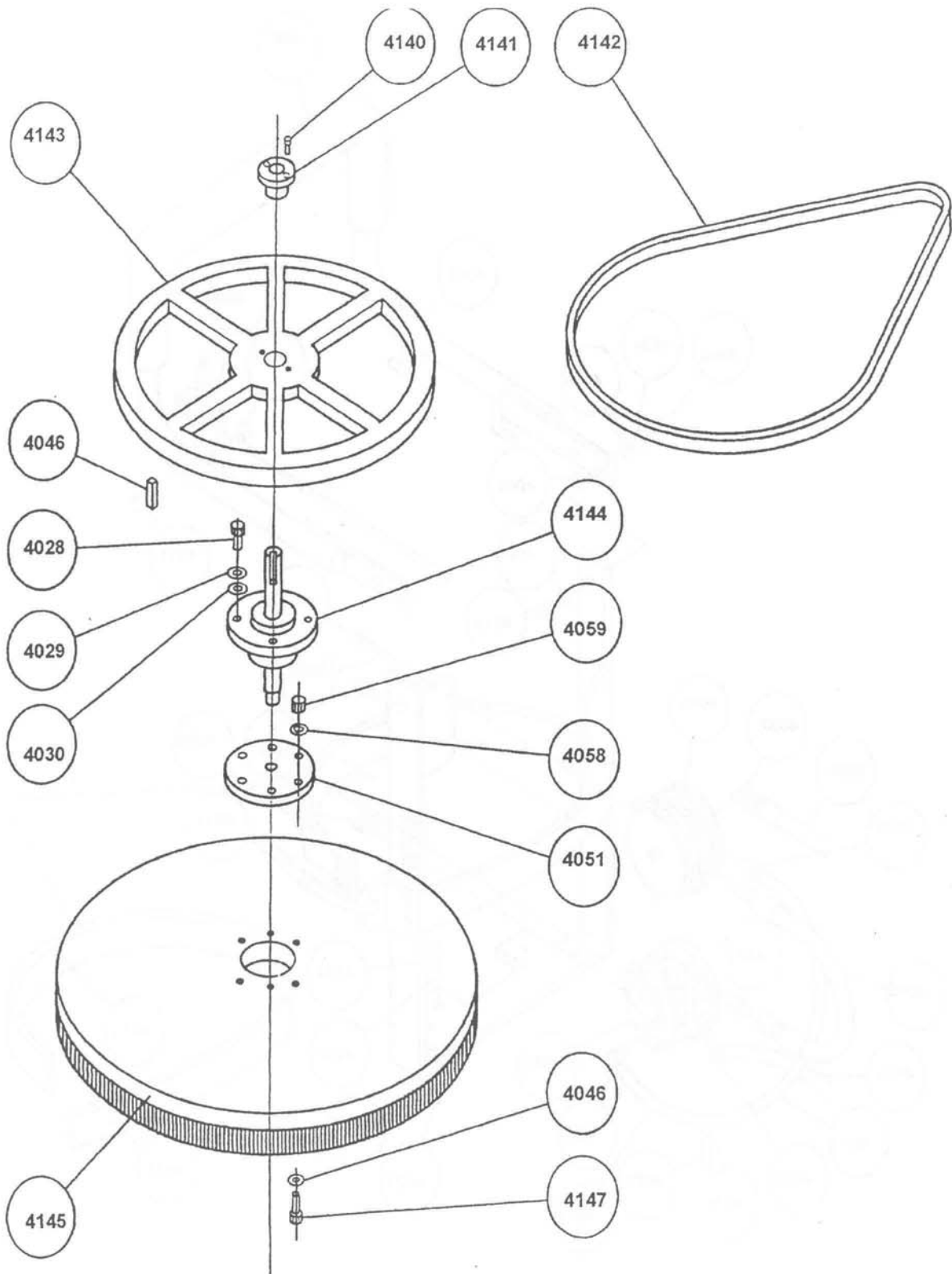
87050 24" Propane Stripping Machine Parts Schematic



87050 24" Propane Stripping Machine Parts Schematic



87050 24" Propane Stripping Machine Parts Schematic



87050 24" Propane Stripping Machine Parts Schematic

<u>REF #</u>	<u>Description</u>	<u>PBI #</u>
4000	24" SCHEMATIC	P2001
4001	HAND GRIP	P1077
4002	UPPE HANDLE (STD)	P1063-U
4003	BOLT	P2003
4004	LOCK WASHER	P2004
4005	FLAT WASHER	P2005
4006	THROTTLE CABLE	P1068-34
4007	NUT	P2006
4008	LOCK WASHER	P2007
4009	LOCK WASHER	P2008
4010	NUT	P2009
4011	BOLT	P2010
4012	LOWER HANDLE (STD)	P1063-L
4013	LATCH SCREW	P1130
4014	FELT	P2011
4015	FELT	P2012
4016	NUT	P2020
4017	FLAT WASHER	P2023
4018	HOUR METER	P1076
4019	RIVET (3)	P2024
4020	LOCK WASHER	P2025
4021	NUT	P2019
4022	BOLT	P2026
4023	FLAT WASHER	P2025
4024	SWIVEL CASTER	P1074
4025	BOLT	P2028
4026	LOCK WASHER	P2029
4027	FLAT WASHER	P2030
4028	BOLT	P2031
4029	LOCK WASHER	P2032
4030	FLAT WASHER	P2033
4031	DECK	P1002
4032	BUMPER GUARD 63"	P1142
4033		
4034	WHEEL AXLE	P2034
4035	WHEEL BRACKET	P1051
4036	COTTER PIN	P2035
4037	FLAT WASHER	P2025
4038	NUT	P2019
4039	FRONT END	P1050
4040	IDLER PULLEY	P1025
4041	BELT TENSIONER	P1071

87050 24" Propane Stripping Machine Parts Schematic

<u>REF #</u>	<u>Description</u>	<u>PBI #</u>
4042	6" WHEEL	P1073
4043	WHEEL SPACER (2)	P2033
4044	BOLT	P2026
4045	FLAT WASHER	P2025
4046	KEY STOCK	P1036
4047	PULLEY	P1021
4048	BUSHING	P1018
4049	BELT	P1104
4050	BOLT	P2034
4051	PLATE	P1047
4052	BOLT (6)	P2027
4053	FLEX COUPLER	P1061
4054	BOLT (6)	P2027
4055	FLEX SPACER (6)	P1062
4056	PAD DRIVER	P1057-4
4057	CENTER DEVICE (MALE)	P1066-M
4058	WASHER	P2035
4059	NUT	P2019
4060	GRIPPER RING	P1065-22
4061	RIVET (6)	P2036
4062	FLOOR PAD	PAD24
4063	CENTE DEVICE (FEMALE)	P1066-F
4064		
4065		
4066	HOSE	P1006
4067	FITTING	P1013
4068	FUEL SHUTOFF	P1082-1
4069	FITTING	P1008
4070	HOSE	P1008
4071	VACUUM HOSE	P2013
4072	FITTING	P1011
4073	FUEL REGULATO	P1083-1
4074	FUEL HOSE	P2014
4075	FITTING	P1010
4076	VACUUM TEE	P2037
4077	VACUUM HOSE	P2015
4078	FITTING	P1012/P1011
4079	BOLT	P2021
4080	LOCK WASHER	P2022
4081	BOLT	P2021
4082	LOCK WASHER	P2022
4083	BATTERY CABLE	P1133-9
4084	BATTERY CABLE	P1133-20
4085	CLUTCH ARM	P1064-4
4086	BATTERY COVER	P1053

87050 24" Propane Stripping Machine Parts Schematic

<u>REF #</u>	<u>Description</u>	<u>PBI #</u>
4087	BATTERY TRAY	P1054
4088	NUT	P2038
4089	BATTERY BRACKET	P1054
4090	BOLT	P2039
4091	VACUUM HOSE	P2016
4092	BOLT	P2040
4093	BATTERY	P1133
4094	NUT	P2041
4095	NUT	P2006
4096	KEY	48-340-01
4097	KEY SWITCH	308-0385
4098	BOLT	P2042
4099	NUT	P2006
4100	CABLE	P1132
4101	RIVET	P2043
4102	NUT	P2044
4103	KEY SWITCH BOX	P1055
4104	BOLT	P2040
4105	BOLT	P2045
4106	" I" BOLT	P2017
4107	SCREW	P2046
4108	SCREW	P2047
4109	SWITCH	P1064-2
4110	NUT	P2038
4111	NUT	P2048
4112	CLUTCH SWITCH BOX	P1064-2
4113	NUT	P2049
4114	SWITCH BOX COVER	P1064-3
4115	NUT	P2048
4116	SPRING	P2018
4117	MOTOR MOUNT	P1036
4118	CLUTCH BRAKE ARM	P1064-4
4119	UPPER HANDLE (STRIP)	P1064-1
4120	NUT	P2019
4121	WASHER	P2025
4122	WASHER	P2025
4123	BOLT	P2026
4124	NUT	P2006
4125	BOLT	P2040
4126	HANDLE BRACKET	P1092
4127	CLUTCH	P1067-CB
4128	WASHER	P2050
4129	BOLT	P2051
4130	BELT SHROU	P1138

87050 24" Propane Stripping Machine Parts Schematic

<u>REF #</u>	<u>Description</u>	<u>PBI #</u>
4131	BOLT	P2052
4132	LOWER HANDLE (STRIP)	P1064-1
4133	PNEUMATIC WHEEL	P1041
4134	AXLE	P1042
4135	LOCK COLLARS (4)	P1043
4136	SPLASH GUARD	P1034-74
4137	BOLT	P2053
4138		
4139	DECK	P1002-24
4140	BOLT	P2054
4141	BUSHING	P1029
4142	BELT	P1033
4143	PULLEY	P1032
4144	FRONT END	P1045
4145	STRIP BRUSH	P1039-24
4146	WASHER	P2055
4147	BOLT	P2054