



## **Electronic Service Manuals**

This electronic document is provided as a service to our customers. We do not create the contents of the information contained in this document. Should you have detailed questions pertaining to the information contained in this document, you may contact Michco, or the manufacturer which provided the original information in this electronic deliverable. Michco's only part in this electronic deliverable was the electronic assembly process. By providing this manual online we are not guaranteeing parts availability.

You may contact Michco through the following methods:

**Phone (517) 484-9312**

2011 N. High St. -- Lansing, Michigan -- 48906

Fax: (517) 484-9836

Email: [CustomerService@Michco.com](mailto:CustomerService@Michco.com)

Website: [www.Michco.Com](http://www.Michco.Com)

Order Parts online at:

**[www.Michco.Com](http://www.Michco.Com)**

Directly to Parts & Service:

By Email: **[CustomerService@Michco.com](mailto:CustomerService@Michco.com)**

By Fax: (517) 484-9836

By Voice: (517) 484-9312

**Serving the Cleaning Industry Since 1922**

Notice: All copyrighted material remains property of original owners, all trademarks are property of respective owners. Manuals are subject to Manufacturer's reproduction limitations. Originals or reproductions were provided by manufacturers through a request. We make no warranty as to the correctness of information provided in this document and you assume all risk. By placing these manuals on line we are not declaring our corporation to be an manufacturer authorized dealer or provider, please check our web site for authorized manufacturers we represent.

**Foreman™ 1500 RPM Dust Control Burnisher**

*Item #85000-00*

**Operator's Manual  
Parts Schematic**



- Chemicals*
- Equipment*
- Programs*
- Process*

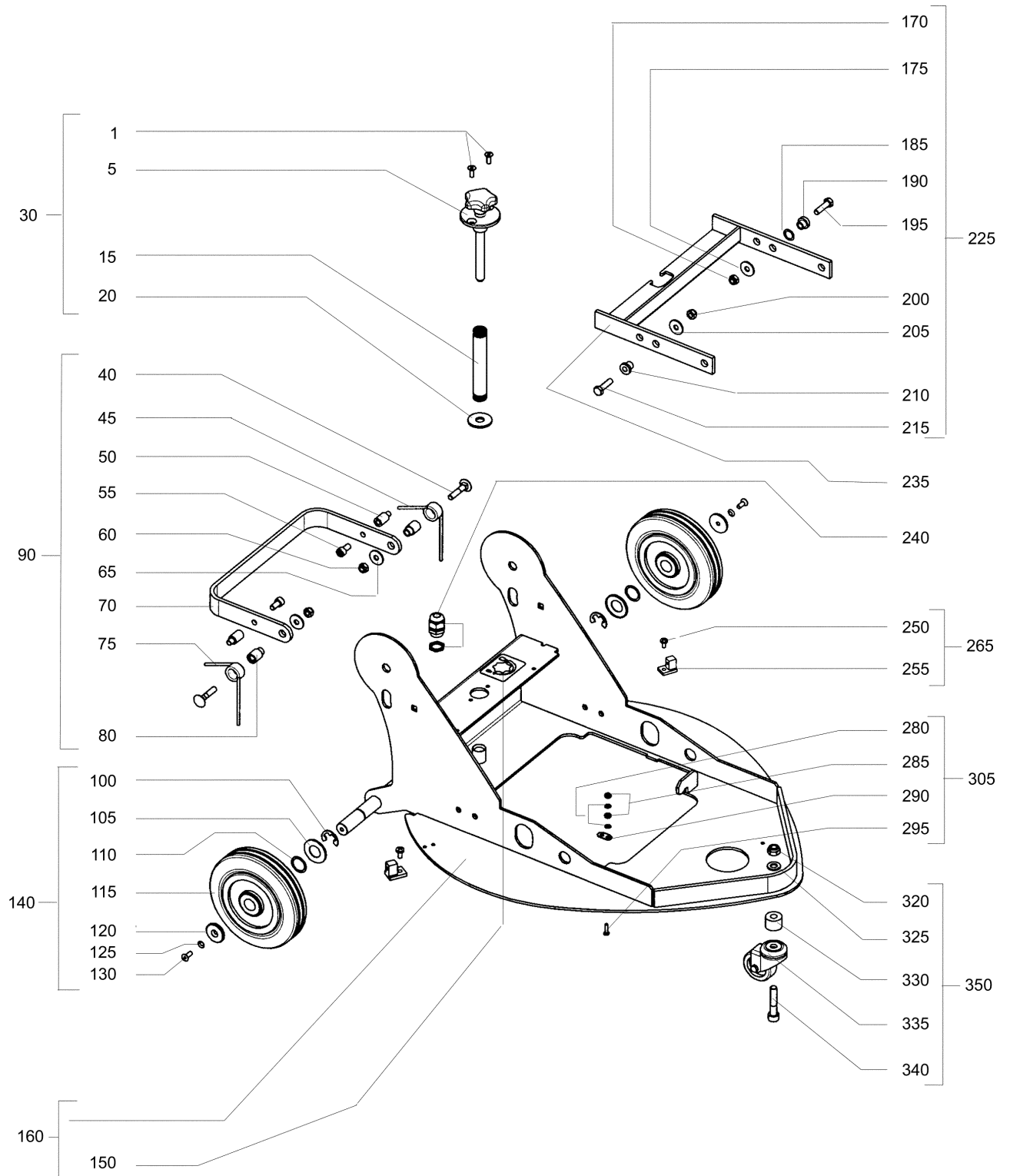


# EU 510

2 - 500

Ser. No. 2 000 250

S 1 v. 4



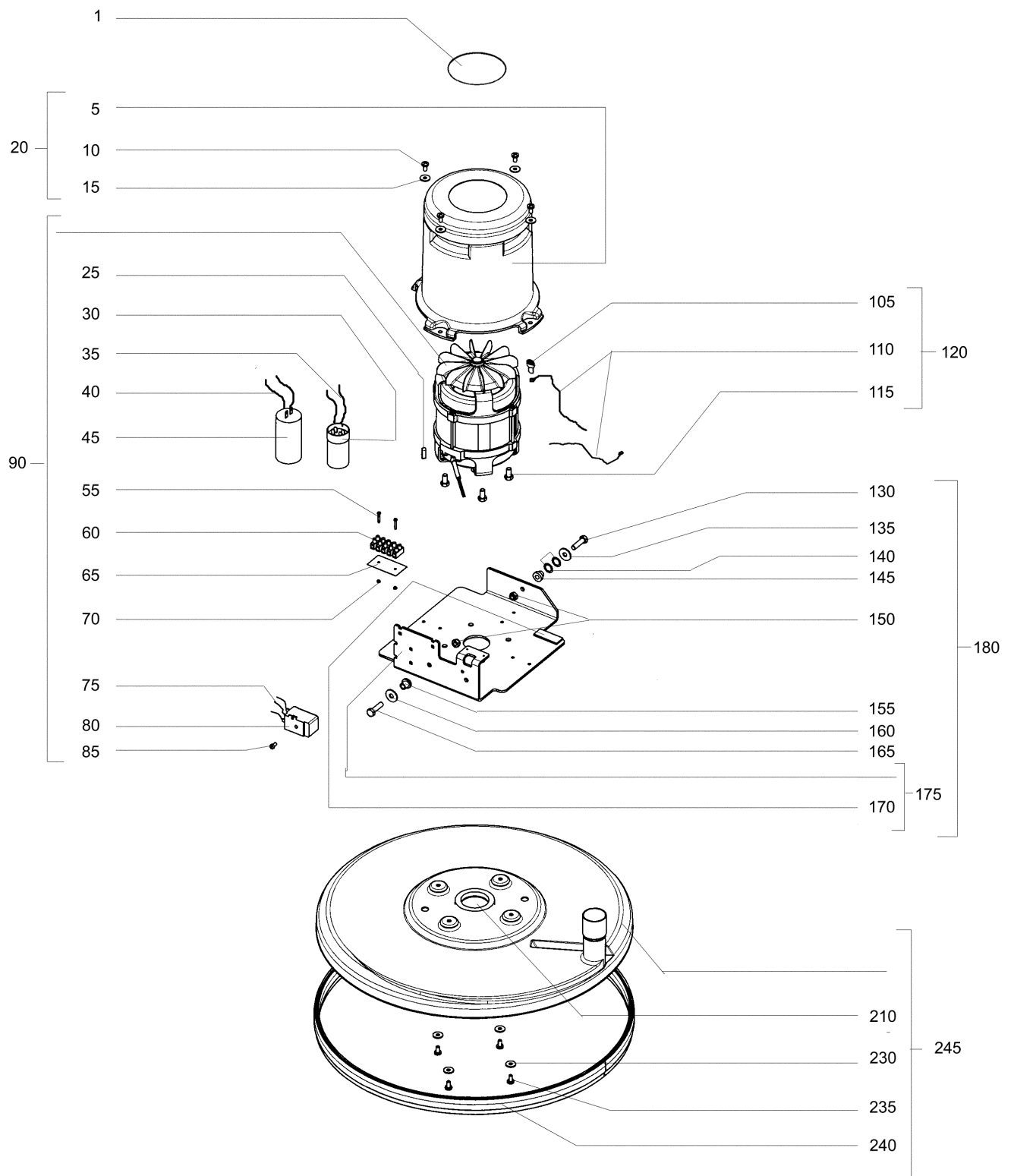
Betco 2- 500				CHASSIS		Betco 2- 500			
S. 2 v.4						S. 2 v.4			
Ser. - Nr. 2 000 330						Ser. - Nr. 2 000 330			
Dat. : 05 - 04						Dat. : 05 - 04			
Dat. : <del>02</del> -04						Dat. : <del>02</del> -04			
View	Betco SKU	Ref.No	Qty.	Description	View	Betco SKU	Ref.No	Qty.	Description
1		035400	2	Countersunk M 6x16	185		163500	1	Distance washer bearing
5		608112	1	Adjusting screw	190		608053	1	Bush
					195		299500	1	Hexagon screw M8x30
15		608221	1	Spring	200		299800	1	Hexagon nut M8
		608235	1	Spring	205		300000	1	Washer 8,4
20		076300	1	Washer A13	210		608189	1	Bush, movable bearing
					215		299500	1	Hexagon screw M8x30
		608140	1	Kit f.locking screw					
<b>K 30</b>	<b>82861</b>	606318	1	Kit f.locking screw	<b>K 225</b>	<b>82878</b>	608143	2	Fork fastening kit
40		608136	2	Saucer-head screw	235		608077	1	Fork, galvanized
45		608076	1	Spring					
50		608220	2	Ratchet bar	240		608144	1	Screw fastening PG11
55		602560	2	Cylinder screw M 8x16					
60		299800	2	Hexagon nut M8	250		601589	2	Screw M6 x 12, galv.
65		300000	2	Washer 8,4	255		608071	2	Bloc
70		608106	1	Pedal hoop, covered					
75		608075	1	Spring	<b>K 265</b>	<b>82879</b>	608145	2	Kit of blocs
80		608056	2	Bush					
<b>K 90</b>	<b>82876</b>	608141	2	Pedal fastening kit	280		102800	2	Lock washer A 4,3
				w/o pos.60	285		053500	2	Hexagon nut M4
100		073500	2	Securing disc 15	290		082600	1	Cylinder screw M4 x 10
105		167900	2	Joint disk	295		601639	1	Screw M 4x16, galv.
110		608222	2	Distance washer bearing					
115		608072	2	Wheel D=160	<b>K 305</b>	<b>82870</b>	606344	1	Earthing - set
120		270200	2	Transmission disk					
125		160400	2	Toothed disk 6,4					
130		035400	2	Countersunk M6 x 16	320		600137	1	Hexagon nut M10
					325		602212	1	Washer 10,5
<b>K 140</b>	<b>82877</b>	608142	2	Wheel fastening kit					
					330		608055	1	Distance bush
150		608063	1	Foil, pressure adjustment	335		608100	1	Guide roll cpl.
		608114	1	Base plate with foil	340		234500	1	Cylinder screw M 10x35
<b>K 160</b>	<b>82887</b>	608175	1	Base plate with foil	<b>K 350</b>	<b>82873</b>	608115	1	Guide roll cpl.
		606316	1	Base plate with foil					
170		299800	1	Hexagon nut M8					
175		300000	1	Washer 8,4					

# EU 510

2 - 501

Ser. No. 2 000 330

S. 1 v. 3



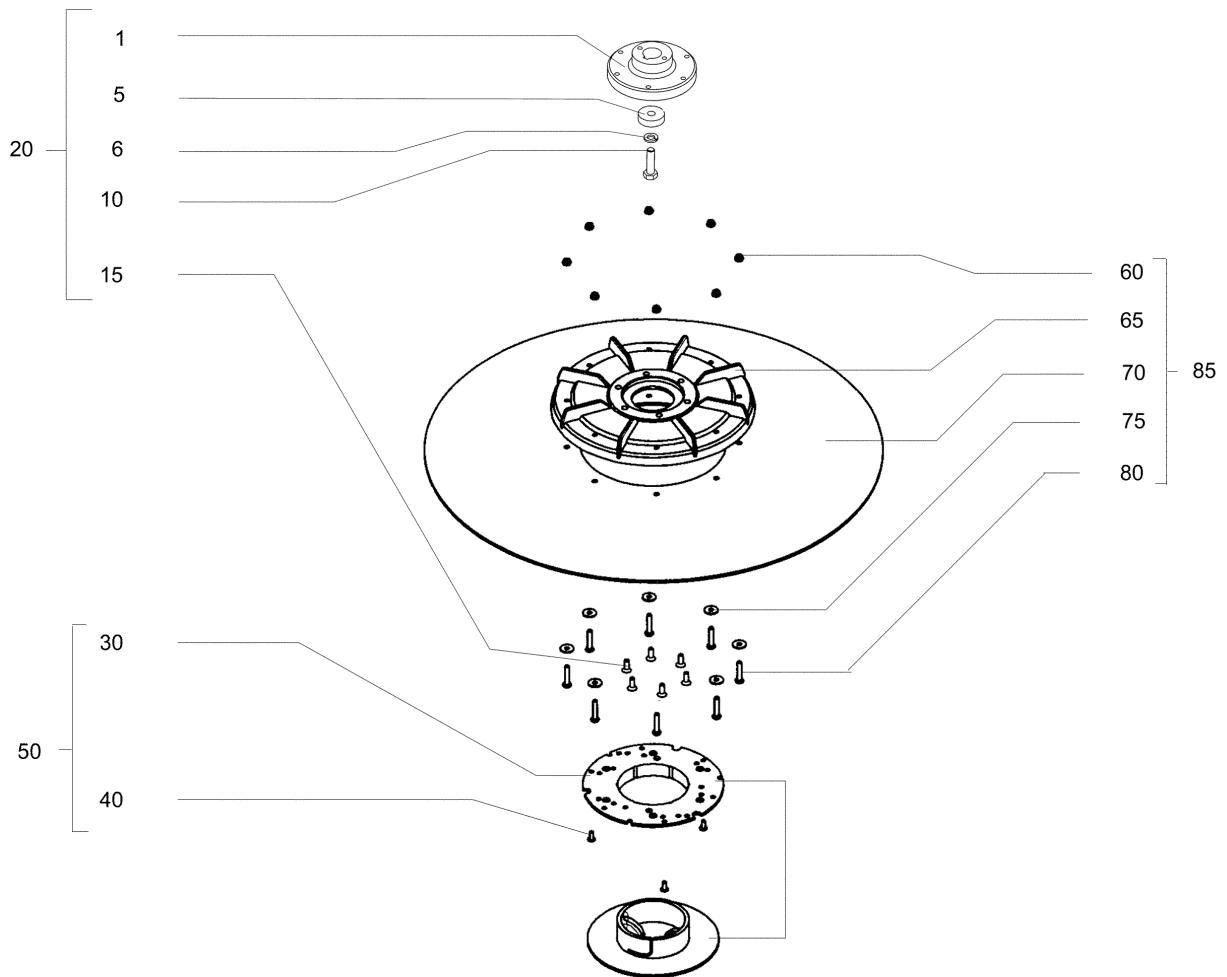
		<b>Betco 2 - 501</b>		<b>DRIVE</b>
		S. 2 v.3		
		Ser. - No. 2 000 330		
		Dat. : 05 - 04		
		Dat. : <del>02</del> - 04		
<b>View</b>	<b>Betco SKU</b>	<b>Ref.No</b>	<b>Qty.</b>	<b>Description</b>
1		608110	1	Name plate
5		608086	1	Motor cover
10		601589	4	Screw M6 x 12, galv.
15		602395	4	Washer 6,4
<b>K 20</b>	<b>82880</b>	608146	1	Motor cover kit
25		256600	1	Feather key 6x6x22
30	<b>82890</b>	608095	1	Capacitor 80 mF
	<b>82889</b>	608236	1	Capacitor 300 mF
35		260125	1	Set of strands
40		260127	1	Set of strands
45		608096	1	Capacitor 32 mF
		608237	1	Capacitor 25 mF
55		602731	2	Flat head screw M3 x20
60		281200	1	Connection
65		608068	1	Insulation
70		048300	2	Hexagon nut M 3
75		260126	1	Set of strands
80		608094	1	Relais
	<b>82891</b>	608246	1	Relais
85		608134	1	Flat head screw M5x8
		608147	1	Motor cpl. Kit
		606336	1	Motor cpl. Kit
<b>K 90</b>	<b>82862</b>	606319	1	Motor cpl. Kit
105		070400	1	Cylinder screw M 4x10
110		608108	2	Strand ; Carthing
115		274300	4	Countersunk M6 x 16
<b>K 120</b>	<b>82869</b>	606343	1	Earthing wire , motor
130		299500	1	Countersunk M 8x30
135		300000	1	Washer 8,4
140		163500	2	Distance washer bearing
145		608053	1	Bush
150		299800	2	Hexagon nut M8
155		608189	1	Bush , movable bearing
160		30000	1	Washer 8,4
165		299500	1	Countersunk M 8x30
170		601737	1	Rubber plate 50x20x3
175		608117	1	Motor plate cpl.
<b>K 180</b>	<b>82881</b>	608148	1	Motorplate w. fast.kit
210		333700	1	Joint ring
230		602395	4	Washer 6,4
235		601589	4	Screw M6 x 12, galv.
240		608066	1	Flex brush
<b>K 245</b>	<b>82874</b>	608118	1	Suction bell cpl.

# EU 510

2 - 502

From Serial No. 2000416

S. 1 v. 2



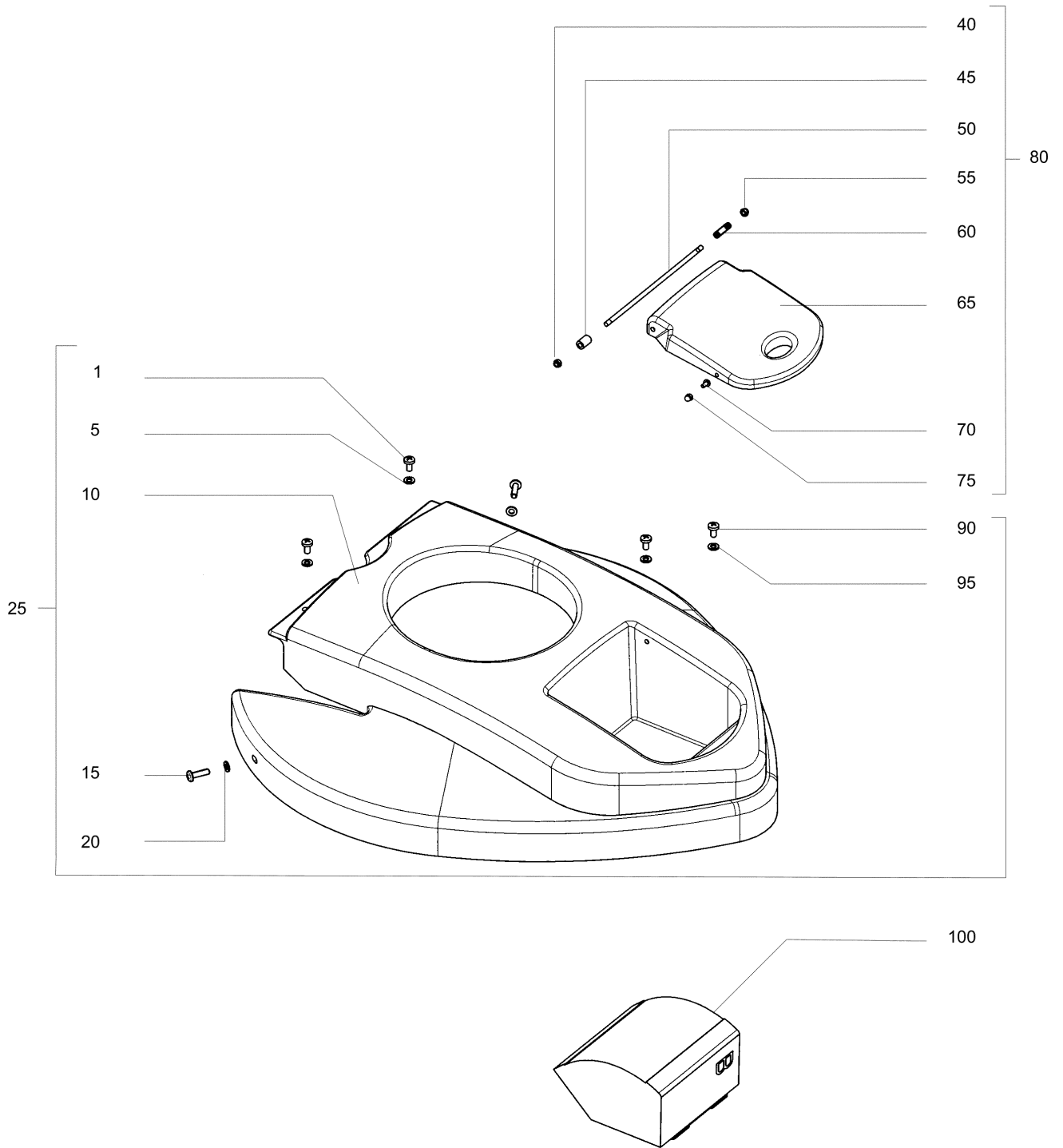
		<b>Betco 2 - 502</b>		<b>DRIVE PLATE</b>
		S. 2 v.2		
		Ser. - No. 2000416		
		Dat. : 01 - 04		
		Dat. : <del>08</del> - 02		
<b>View</b>	<b>Betco SKU</b>	<b>Ref.No</b>	<b>Qty.</b>	<b>Description</b>
1		608059	1	Flange
5		320100	1	Washer
6		236200	1	Spring washer 8
10		299500	1	Countersunk M8 x 30
15		035400	6	Countersunk M6 x 16
<b>K 20</b>	<b>82882</b>	608149	1	Kit flange fastening
30	<b>82859</b>	608097	1	Pad centring device, upper part
40		603359	3	Screw KB 40x10, galvanized
<b>K 50</b>	<b>82875</b>	608123	1	Pad centring cpl.
60		600138	8	Hexagon nut M5, galv.
65		608088	1	Serrated lock washer f. flange
70		608089	1	Drive plate
75		346100	8	Washer 5,3
80		608132	8	Screw M 5x25
<b>K 85</b>	<b>82886</b>	608163	1	Drive plate cpl.

# EU 510

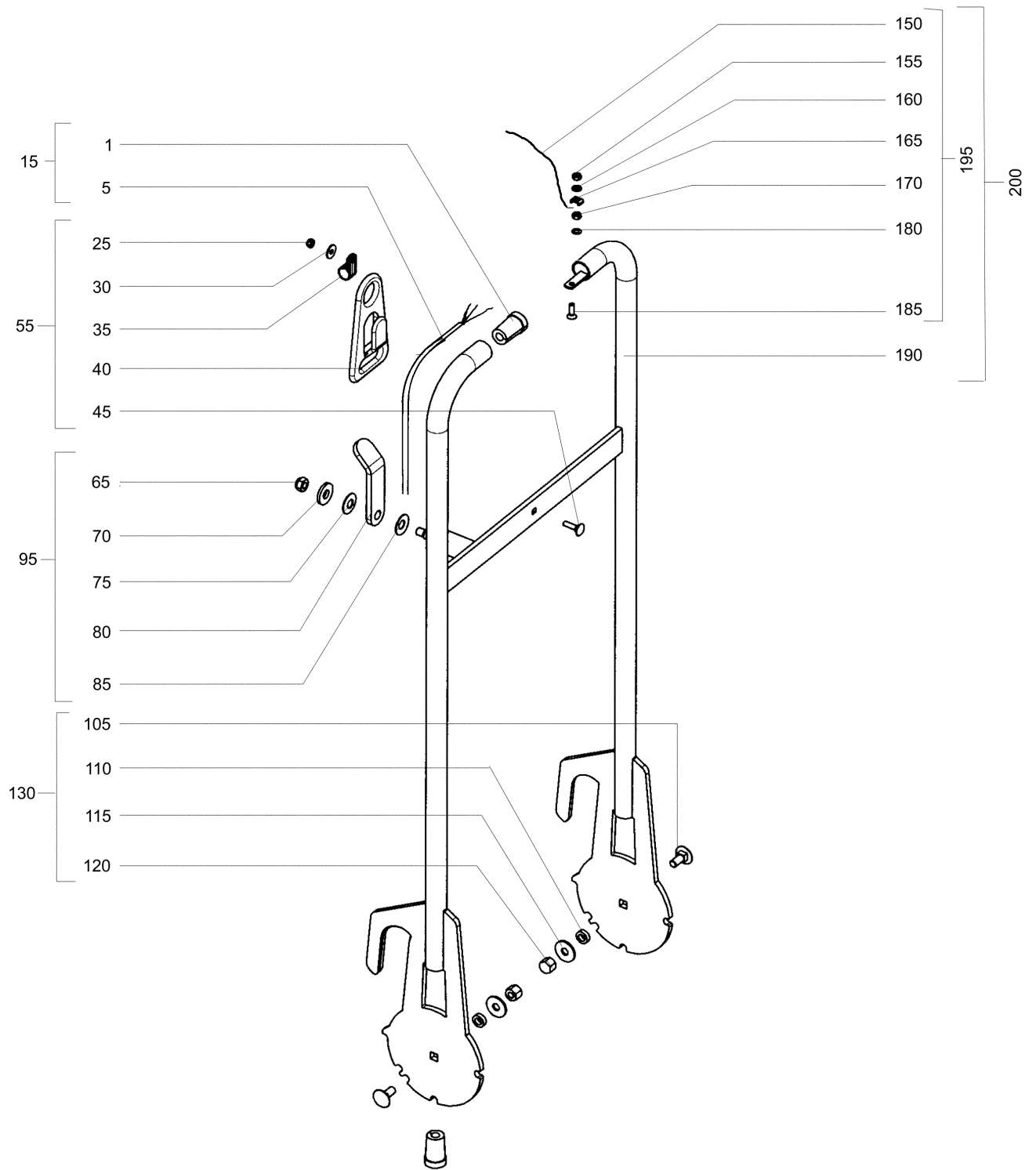
2 - 503

From Serial No. 2000001

S. 1 v. 2

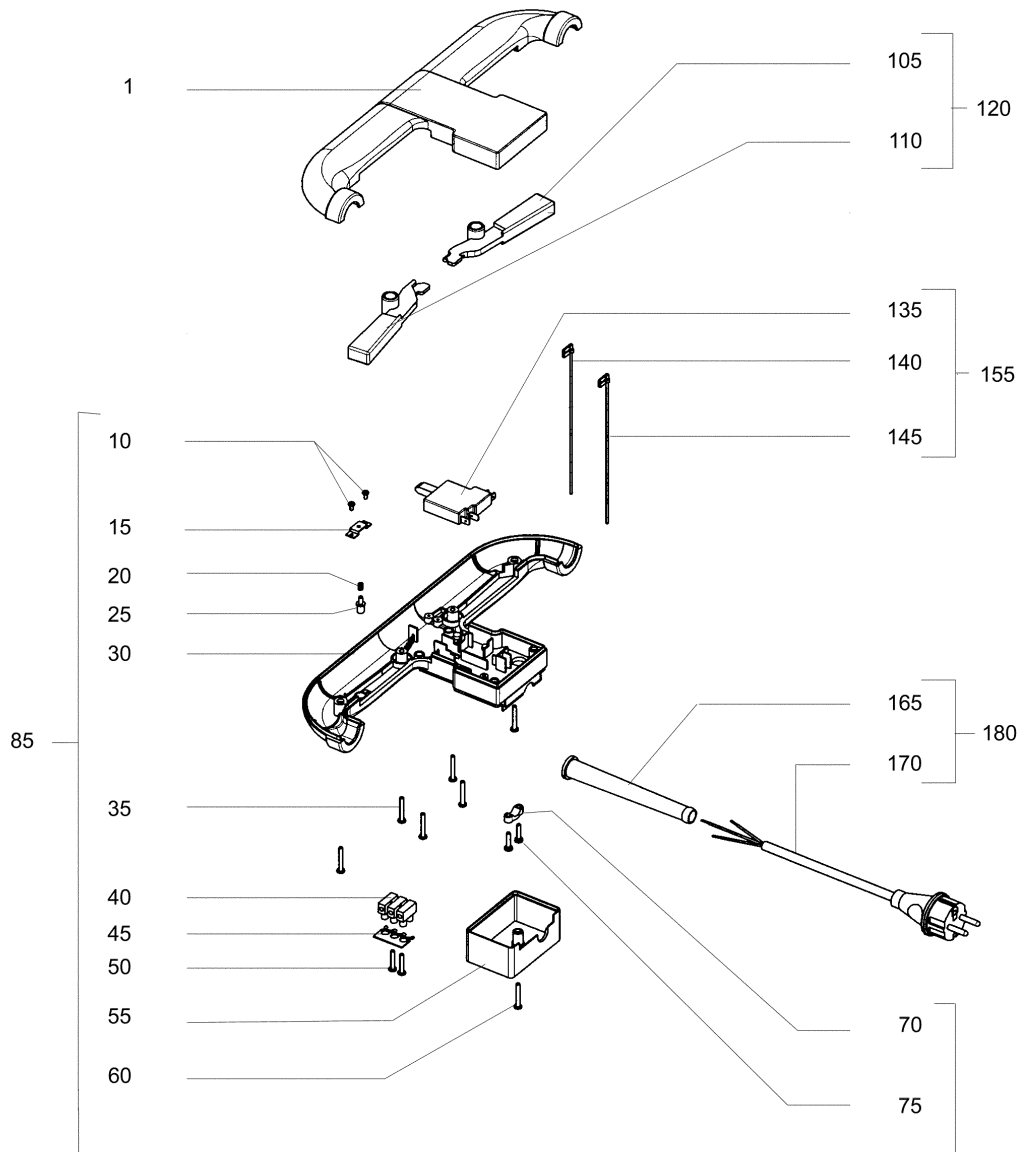






250 Führungsbügel mit Befestigungsteilen ohne Pos.5

Betco 2 - 504				HANDLE				Betco 2 - 504				HANDLE			
S. 2 v. 3								S. 2 v. 3							
Ser.- No. 2 000 330								Ser.- No. 2 000 330							
Dat. : 05 - 04								Dat. : 05 - 04							
Dat. : 10 - 03								Dat. : 10 - 03							
View	Betco SKU	Ref.No	Qty.	Description	View	Betco SKU	Ref.No	Qty.	Description	View	Betco SKU	Ref.No	Qty.	Description	
1		601133	2	Cable sleeve	150		608164	1	Earthing card f. handle						
5		608065	1	Cable	155		081100	1	Hexagon nut M8						
					160		040300	1	Lock washer 5,3						
<b>K 15</b>	<b>82863</b>	606320	1	Cable + Cable sleeve	165		048400	1	Clamp						
					170		081100	1	Hexagon nut M8						
25		600138	1	Hexagon nut M 5, self-locking											
30		346100	1	Washer 5,3											
35		355300	1	Clamp	180		040300	1	Lock washer 5,3						
40		601101	1	Pull relief											
45		601530	1	Flat head screw M5x20	185		183100	1	Countersunk M5x16 galv.						
					190		608208	1	Bow-type handle, coated						
<b>K 55</b>	<b>82864</b>	606321	1	Pull relief + fixture			608212	1	Bow-type handle, coated						
							608213	1	Bow-type handle, coated						
65		299800	1	Hexagon nut M8			608217	1	Bow-type handle, coated						
70		333200	1	Washer			608214	1	Bow-type handle, coated						
75		339400	1	Spring	<b>K 195</b>	<b>82888</b>	608198	1	Earthing f.bow-type handle						
80		608187	1	Cable holder			606324	1	Bow-type handle+ earthing RAL1032						
85		339400	1	Spring	<b>K 200</b>	<b>82867</b>	606325	1	Bow-type handle+ earthing RAL7016						
							606326	1	Bow-type handle+ earthing RAL3002						
<b>K 95</b>	<b>82865</b>	606322	1	Cable holder + fixture			606327	1	Bow-type handle+ earthing RAL6032						
							606317	1	Bow-type handle+ earthing RAL 9006						
105		608135	2	Saucer-head screw	<b>K 250</b>		606331	1	Bow-type handle kit						
110		608051	2	Bush					w/o pos.5						
115		300000	2	Washer 8,4			606332	1	Bow-type handle kit						
120		273400	2	Nut M8					w/o pos.5						
							606333	1	Bow-type handle kit						
<b>K 130</b>	<b>82866</b>	606323	1	Screw fastening for handle					w/o pos.5						
							606334	1	Bow-type handle kit						
									w/o pos.5						



		<b>Betco 2 - 505</b>		<b>SWITCH CASE</b>	
		<b>S. 2 v.3</b>			
		Ser.- No. 2 000 330			
		Dat. : 05 - 04			
		Dat. : <del>10</del> 03			
<b>View</b>	<b>Betco SKU</b>	<b>Ref.No</b>	<b>Qty.</b>	<b>Description</b>	
1		600117	1	Grip shell, upper part	
10		600173	2	Screw 2,9x6	
15		600115	1	Hat profile	
20		600170	1	Spring	
25		600169	1	Bolt	
30		600118	1	Grip shell, lower part	
35		600166	6	Screw KB 35x25	
40		095700	1	Connection 3-channel	
45		096800	1	Marking strip	
50		600176	2	Screw KB 35x20	
55		600177	1	Cap	
60		600166	1	Screw KB 35x25	
70		600168	1	Clamp for pull relief	
75		600172	2	Screw 3,5x16	
<b>K 85</b>	<b>82885</b>	608153	1	Kit f.switch case lower part	
105		600121	1	Switch lever, left	
110		600124	1	Switch lever, right	
<b>K 120</b>	<b>82868</b>	606338	1	Switch levers, - set -	
135		600353	1	Switch	
		608231	1	Switch	
140		600161	1	Strand brown 160 lg	
145		600160	1	Strand blue 160 lg	
<b>K 155</b>		608154	1	Switch with strands	
	<b>82860</b>	606314	1	Switch with strands	
165		604303	1	Sleeve	
		081700	1	Sleeve	
170		608064	1	Plug cord	
		603292	1	Plug cord	
<b>K180</b>	<b>82858</b>	603292	1	Plug cord with sleeve 115\	

