



Electronic Service Manuals

This electronic document is provided as a service to our customers. We do not create the contents of the information contained in this document. Should you have detailed questions pertaining to the information contained in this document, you may contact Michco, or the manufacturer which provided the original information in this electronic deliverable. Michco's only part in this electronic deliverable was the electronic assembly process. By providing this manual on line we are not guaranteeing parts availability.

You may contact Michco through the following methods:

Phone (517) 484-9312 or (800) 331-3339

2011 N. High St. -- Lansing, Michigan -- 48906

Fax: (517) 484-9836

Email: CustServe@Michco.com

Web site: www.Michco.Com

Parts Web site: www.FloorMachineParts.Com

Order Parts on Line at:

www.FloorMachineParts.Com

Directly to Parts & Service:

By Email: **Shop@Michco.com**

By Fax: (517) 702-2041

By Voice: Use numbers above.

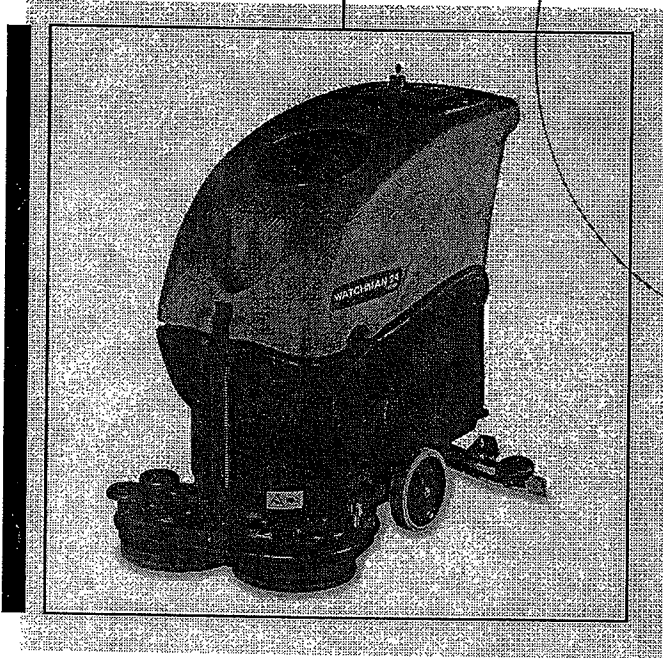
Serving the Cleaning Industry Since 1922

Notice: All copyrighted material remains property of original owners, all trademarks are property of respective owners. Manuals are subject to Manufacturer's reproduction limitations. Originals or reproductions were provided by manufacturers through a request. We make no warranty as to the correctness of information provided in this document and you assume all risk. By placing these manuals on line we are not declaring our corporation to be an manufacturer authorized dealer or provider, please check our web site for authorized manufacturers we represent.

WS24 Watchman™ 24" Auto Scrubber

Parts Schematic

Item #86009

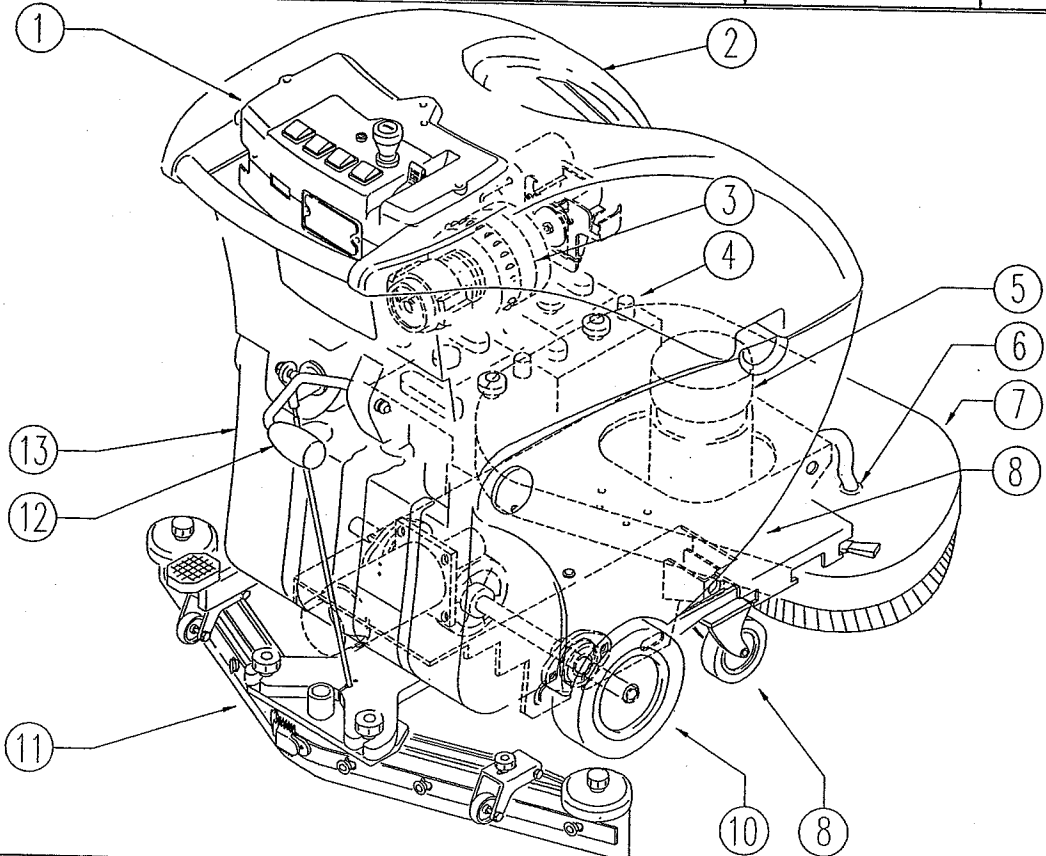


Better Resources. Better Results.
BETCO®

CODE:

PF02270BC-4 ab SN from 01J899

DESCRIPTION:

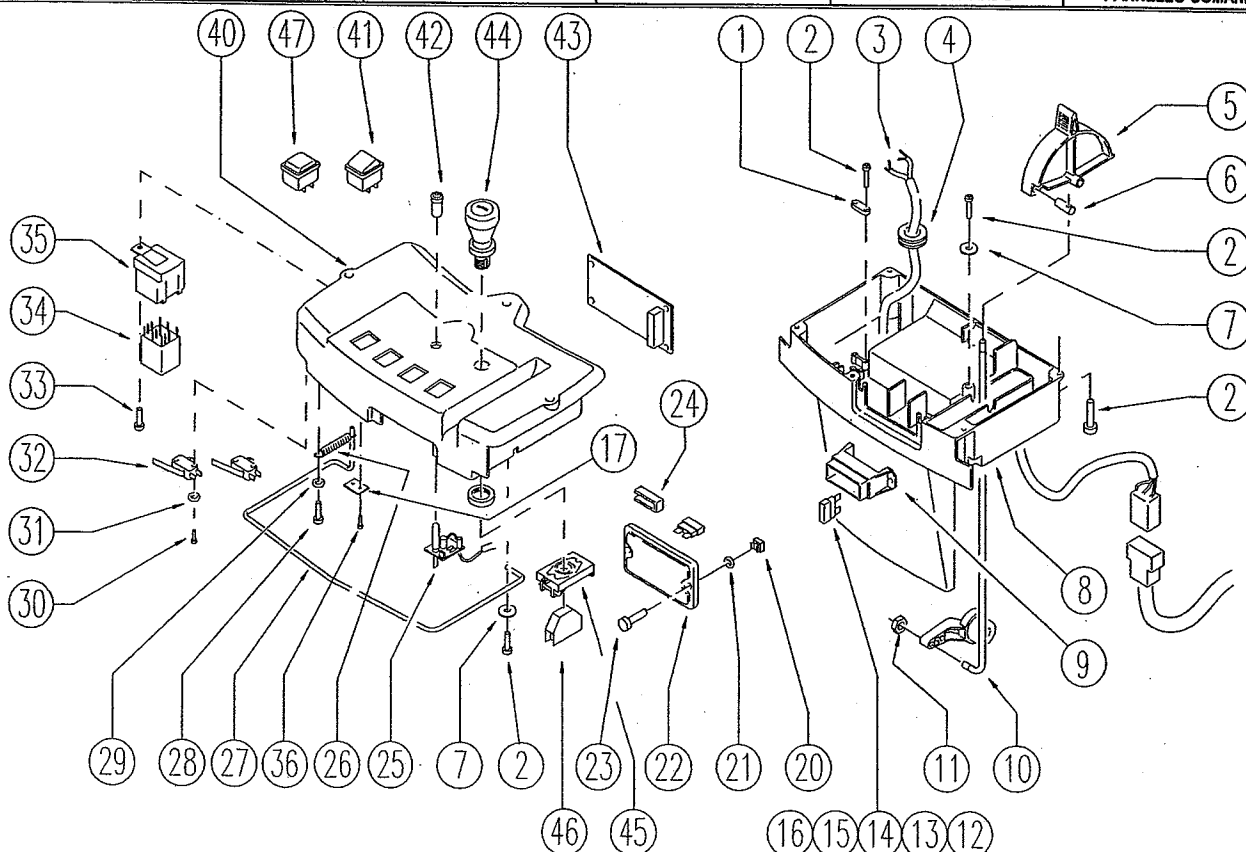


REF	CODE	DESCRIPTION	QT	BESCHREIBUNG	DESCRIPTION	DESCRIPCION	DESCRIZIONE
1	PL1340	CONTROL PANEL		INSTRUMENTENBRETT	TABLEAU DE COMMANDE	PANEL DE MANDO	PANNELLO COMANDI
2	PL1012	TANK		TANK	RESERVOIR	TANQUE	SERBATOIO SUPERIORE
3	PL1001	SUCTION UNIT		SAUGGRUPPE	GROUPE ASPIRATION	GRUPO DE ASPIRACION	ASPIRAZIONE
4	PL1347	ELECTRIC UNIT		ELEKTRISCHE GRUPPE	GROUPE ELECTRIQUE	GRUPO ELECTRICO	PARTI ELETTRICHE
5	PL1455	HEAD: MOTOR		KOPF: MOTOR	TETE: MOTEUR	CABEZA: MOTOR	TESTATA: MOTORE
6	PL1337	HEAD: AXLE PULLEY		KOPF: RIEMENSCHNURACHSE	TETE: ESSIEU POULIE	CABEZA: EJE POLEA	TESTATA: ASSE SPAZZOLA
7	PL1456	HEAD: FLAP		KOPF: FLAP	TETE: FLAP	CABEZA: FLAP	TESTATA: FLAP
8	PL1341	FRAME - TRANSPORT SYSTEM		RAHMEN	CADRE	CHASIS	TELAIO
10	PL1343	DRIVE UNIT		ANTRIEBS GRUPPE	GROUPE TRACTION	GRUPO DE TRACCION	GRUPPO TRAZIONE
11	PL1010	SQUEEGEE		SQUEEGEE	SQUEEGEE	SQUEEGEE	SQUEEGEE
12	PL1467	SQUEEGEE SUPPORT		SAUGFUHALTERUNG	SUPPORT SUCEUR	SOPORTE ESCURRESUELOS	SUPPORTO SQUEEGEE
13	PL1346	TANK		TANK	RESERVOIR	TANQUE	SERBATOIO INFERIORE
15	PL1457	BRUSHES		BURSTE	BROSSE	CEPILLO	SPAZZOLA
16	PL1339BC	EXTERNAL PARTS		EXTERNE TEILE	EXTERNES PARTIES	EXTERNAS PARTES	PARTI ESTERNE
17	PL1458BC	PACKING		VERPACKUNG	EMBALLAGE	EMBALAJE	IMBALLAGGIO
	WD27193	ELEC. WIRING DIAGRAM		SCHALTPLAN	SCHEMA ELECTRIQUE	ESQUEMA ELECTRICO	SCHEMA ELETTRICO
	WD27193-1	ELEC. SCHEMATIC DIAGRAM		SCHALTPLAN	SCHEMA ELECTRIQUE	ESQUEMA ELECTRICO	SCHEMA ELETT. FUNZIONALE

CODE:

p11340 ab SN from 02A000

DESCRIPTION:	CONTROL PANEL	INSTRUMENTENBRETT	TABLEAU DE COMMANDE	PANEL DE MANDO	PANNELLO COMANDI
--------------	---------------	-------------------	---------------------	----------------	------------------

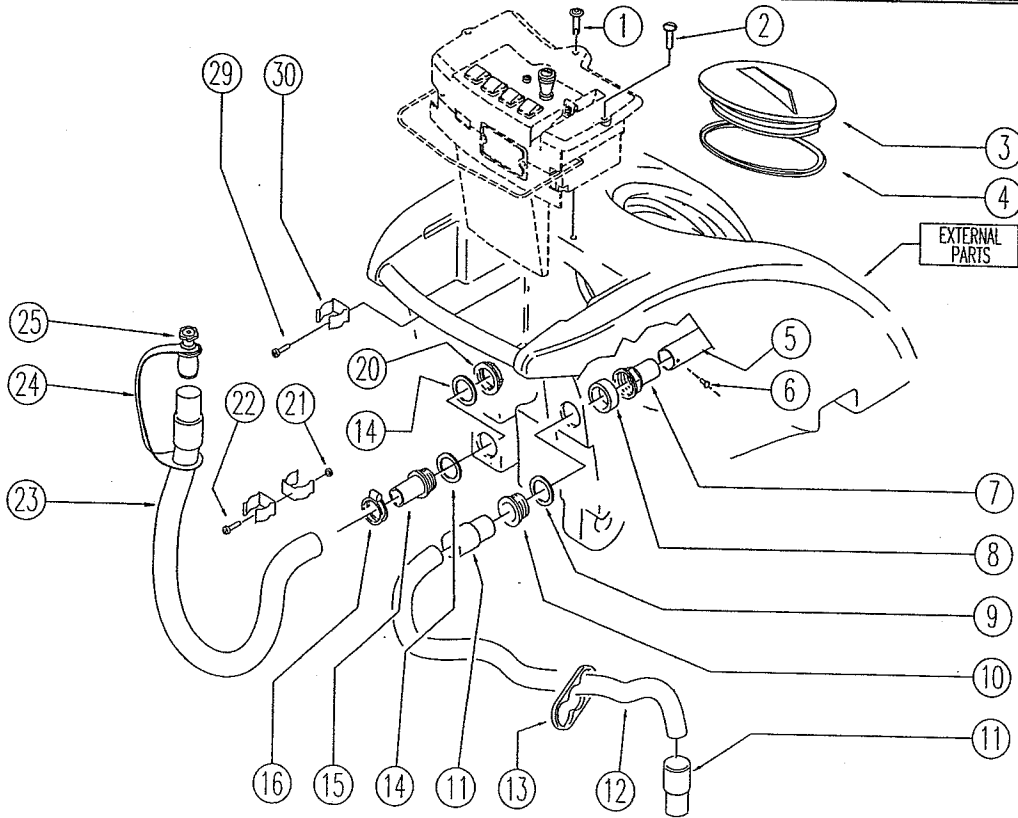


REF	CODE	DESCRIPTION	QT	BESCHREIBUNG	DESCRIPTION	DESCRIPCION	DESCRIZIONE
	GR23715-4	PREASSEMBLED CTRL PANEL	1	INSTRUMENTENBRETT GRUPPE	GRUPE TABLEAU DE COMMANDE	CONJUNTO PANEL DE MANDO	PANN. COM. PREASSEMBLATO
1	SL09908	CABLE CLAMPING STAPLE	1	ÜBERBRÜCKUNG FÜR KABELHALTER	BARRETTE FIXE-CABLE	PUENTE DE BLOQUEO PARA CABLE	PONTICELLO BLOCCACAVO
2	SL04187	SCREW	8	SCHRAUBE	VIS	TORNILLO	VITE
3	SL23733	WIRING	1	VERKABELUNG	CABLAGE	CABLEO	CABLAGGIO
4	SL23695	FAIRLEAD	1	KABEL DURCHFÜHRUNG	PASSE CABLE	GUIACABOS	PASSACAVO
5	SL17490-1	LEVER	1	HEBEL	LEVIER	PALANCA	LEVA
6	SL09898	ARTICULATION	1	GELENK	JOINT	ARTICULACIÓN	SNODO
7	SL06036	WASHER	2	UNTERLEGSCHLEIBE	RONDELLE	ARANDELA	RONDELLA
8	SL17489-1	CONTROL PANEL	1	INSTRUMENTENBRETT	TABLEAU DE COMMANDE	PANEL DE MANDO	PANNELLO COMANDI
9	SL23894	FUSE CARRIER	1	SICHERUNGSSOCKEL	PORTE-FUSIBLES	PORTAFUSIBLES	PORTAFUSIBILI
10	SL09805	ROD	1	STANGE	TIGE	VARILLA	ASTA
11	SL05041	NUT	1	MÜTTER	ECROU	TUERCA	DADO
12	SL23144	FUSE	2	SICHERUNG	FUSE	FUSIBLE	FUSIBILE LAMPADA (5A)
13	SL23148	FUSE	2	SICHERUNG	FUSE	FUSIBLE	FUSIBILE GENERALE (30A)
14	SL23148	FUSE	2	SICHERUNG	FUSE	FUSIBLE	FUSIBILE MOTORE M2 (30 A)
15	SL23144	FUSE	2	SICHERUNG	FUSE	FUSIBLE	FUSIBILE PER KM1 (5A)
16	SL23148	FUSE	1	SICHERUNG	FUSE	FUSIBLE	FUSIBILE PER M3 (30A)
17	SL09955	SUPPORT	1	HALTERUNG	SUPPORT	SOPORTE	SUPPORTO
20	SL05077	NUT	2	MÜTTER	ECROU	TUERCA	DADO
21	SL03116	GASKET	2	DICHTUNG	JOINT	EMPAQUETADURA	GUARNIZIONE
22	SL17149-1	LID	1	DECKEL	COUVERCLE	TAPA	COPERCHIO
23	SL04377	SCREW	2	SCHRAUBE	VIS	TORNILLO	VITE
24	SL23209	FUSE TWEEZERS	1	ZANGE FÜR SICHERUNGEN	PINCETTE POUR FUSIBLES	PINZAS PARA FUSIBLES	PINZETTA FUSIBILI
25	SL23031	BOARD / CARD	1	KARTE	FICHE	TARJETA	SCHEDA
26	SL13116	SPRING	1	FEDER	RESSORT	RESORTE	MOLLA
27	SL09795	LEVER	1	HEBEL	LEVIER	PALANCA	LEVA
28	SL04215	SCREW	3	SCHRAUBE	VIS	TORNILLO	VITE
29	SL06019	WASHER	1	UNTERLEGSCHLEIBE	RONDELLE	ARANDELA	RONDELLA
30	SL04214	SCREW	6	SCHRAUBE	VIS	TORNILLO	VITE
31	SL06009	WASHER	4	UNTERLEGSCHLEIBE	RONDELLE	ARANDELA	RONDELLA
32	SL23109	MICROSWITCH	2	MIKROSCHALTER	MICRO-INTERRUPTEUR	MICROINTERRUPTOR	MICROINTERRUPTORE
33	SL04226	SCREW	1	SCHRAUBE	VIS	TORNILLO	VITE
34	SL23719	RELAIS	1	RELAIS	RELAIS	RELAIS	RELAIS
35	SL23722	RELAIS SUPPORT	1	RELAIS HALTERUNG	SUPPORT RELAIS	SOPORTE RELAIS	SUPPORTO RELAIS
36	SL04327	SCREW	2	SCHRAUBE	VIS	TORNILLO	VITE
40	SL17488-1	CONTROL PANEL	1	INSTRUMENTENBRETT	TABLEAU DE COMMANDE	CUADRO DE MANDO	PANNELLO COMANDI
41	SL23183	SWITCH	2	SCHALTER	INTERRUPTEUR	INTERRUPTOR	INTERRUPTORE
42	SL23031-1	REFLEX REFLECTOR	1	RÜCKSTRAHLER	PASTILLE REFLECHISSANTE	CATAFARO	GEMMA
43	SL23731-2	GEARCASE / BOARD	1	ZENTRALE / KARTE	FICHE DE CONTROLE	CENTRALITA / TARJETA	CENTRALINA / SCHEDA
44	SL23954	EMERGENCY SWITCH	1	DRÜCKKNOPF	BOUTON	PULSADOR	PULSANTE EMERGENZA
45	SL23955	CONTACT CARRIER	1	KONTAKTEHALTER	PORTE-CONTACTS	PORTACONTACTOS	PORTA CONTATTI
46	SL23956	CONNECTION	2	KONTAKT	CONTACT	CONEXIÓN	CONTATTO
47	SL23570	SWITCH COVER	2	SCHALTERABDECKUNG	COUVRE-INTERRUPTEUR	CUBREINTERRUPTOR	COPRI INTERRUPTORE

CODE:

pl1012 ah SN from 01K187

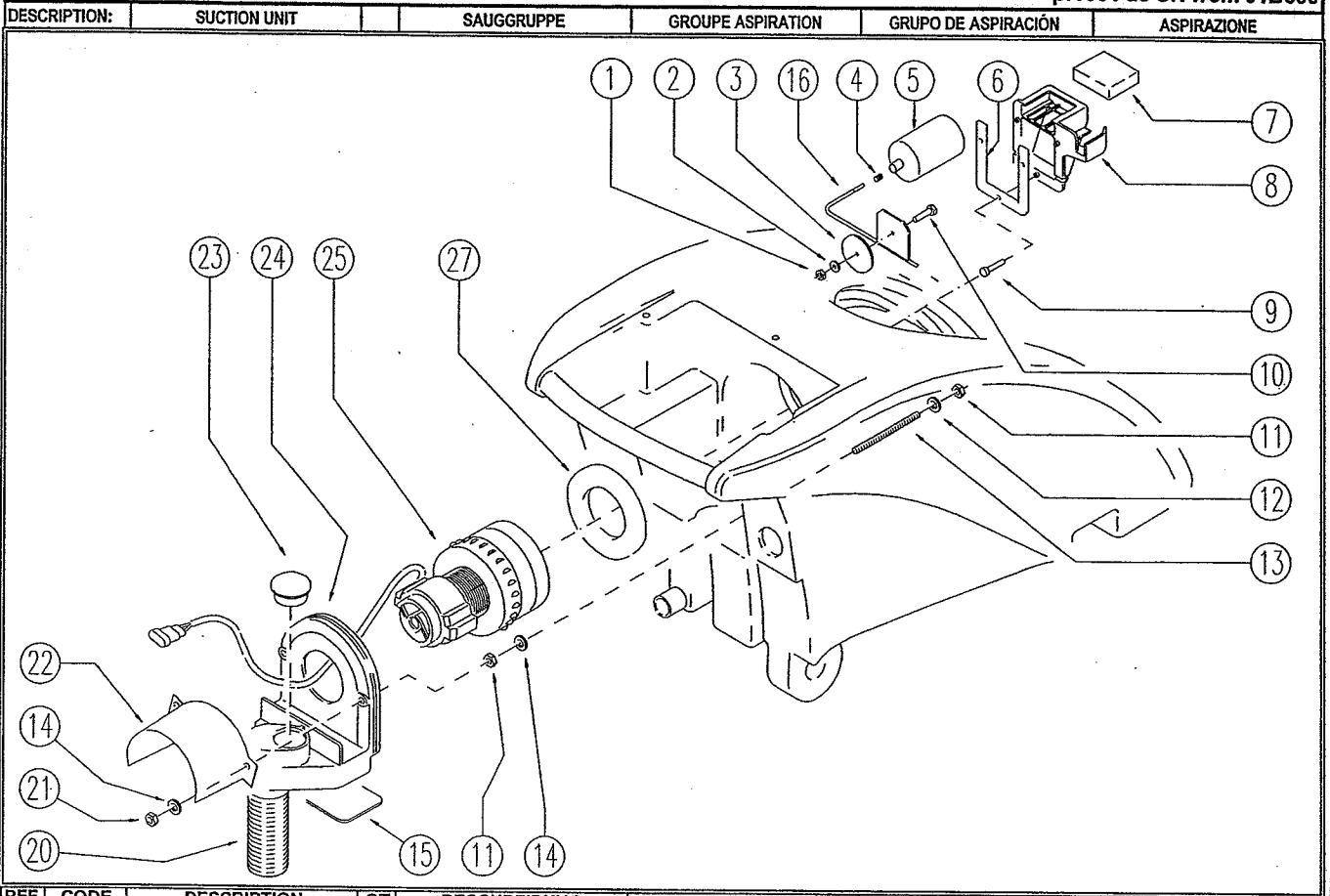
DESCRIPTION: TANK TANK RESERVOIR TANQUE SERBATOIO SUPERIORE



REF.	CODE	DESCRIPTION	QT	BESCHREIBUNG	DESCRIPTION	DESCRIPCION	DESCRIZIONE
1	SL14162	KLIP	1	GEZAHNTE KLIPS	CLIP DENTEE	CLIPE ENDENTADA	KLIP DENTELLATA
2	SL04377	SCREW	2	SCHRAUBE	VIS	TORNILLO	VITE
3	SL17468	COVER	1	DECKEL	COUVERCLE	TAPA	COPERCHIO
4	SL03487	GASKET	1	DICHTUNG	JOINT	EMPAQUETADURA	GUARNIZIONE
5	SL07420	HOSE	1	SCHLAUCH	TUYAU	TUBO FLEXIBLE	TUBO
6	SL04325	SCREW	1	SCHRAUBE	VIS	TORNILLO	VITE
7	SL18349	CONNECTOR	1	ANSCHLUSS	RACCORD	CONECTOR	RACCORDO
8	SL07546	SPACER	1	DISTANZSTÜCK	ENTRETOISE	DISTANCIADOR	DISTANZIALE
9	SL03416	GASKET	1	DICHTUNG	JOINT	EMPAQUETADURA	GUARNIZIONE
10	SL18355	SUCTION OPENING	1	ÖFFNUNG	SUCEUR	ORIFICIO / ABERTURA	BOCCHETTONE
11	SL14003	SLEEVE	2	MUFFE	MANCHON	MANIGLITO	MANIGOTTO
12	SL19021	HOSE	1	SCHLAUCH	TUYAU	TUBO FLEXIBLE	TUBO
13	SL03437	PLAQUE	1	PLÄTTCHEN	PLATINE	PLACA	PIASTRINA
14	SL03441	GASKET	2	DICHTUNG	JOINT	EMPAQUETADURA	GUARNIZIONE
15	SL18350	CONNECTOR	1	ANSCHLUSS	RACCORD	CONECTOR	RACCORDO
16	SL14063	CLAMP	1	SCHELLE	BANDE	ABRAZADERA	FASCETTA
20	SL05075	NUT	1	NUTMUTTER	FRETTE	ANILLO	GHIERA
21	SL05044	NUT	2	NUTMUTTER	FRETTE	ANILLO	DADO
22	SL04032	SCREW	2	SCHRAUBE	VIS	TORNILLO	VITE
23	SL19113-5	HOSE	1	SCHLAUCH	TUYAU	TUBO FLEXIBLE	TUBO
24	SL03577	CLAMP	1	SCHELLE	BANDE	ABRAZADERA	FASCETTA
25	SL18395	KNOB	1	KNAUF	VOLANT A MAIN	BOTÓN ESFÉRICO	POMOLO
29	SL04371	SCREW	2	SCHRAUBE	VIS	TORNILLO	VITE
30	SL13118	DUCT LOCK	3	SCHLAUCHHALTER	FIXE-TUYAU	BLOQUEO TUBO	FERMO TUBO

CODE:

pl1001 ae SN from 01B600

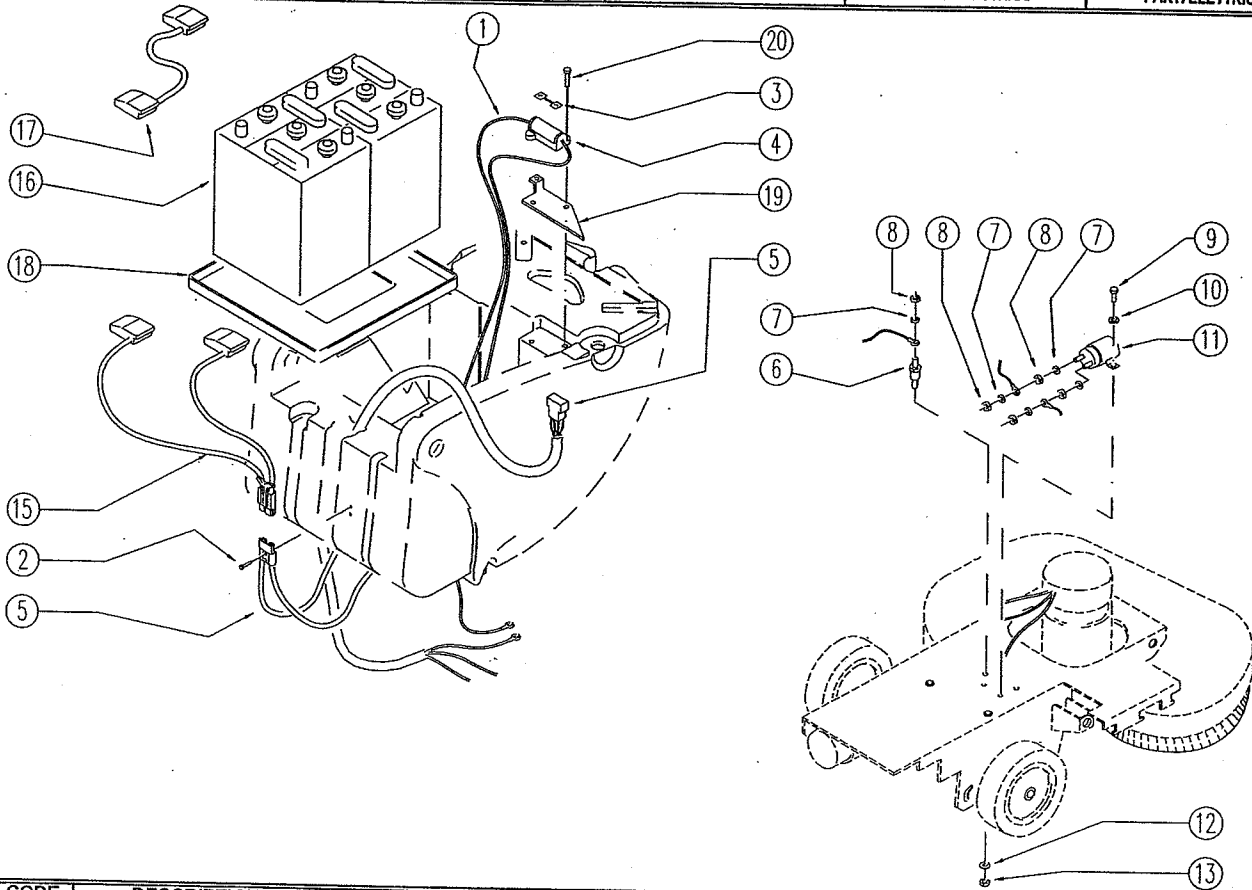


REF.	CODE	DESCRIPTION	QT	BESCHREIBUNG	DESCRIPTION	DESCRIPCION	DESCRIZIONE
1	SL05087	NUT	1	MUTTER	ECROU	TUERCA	DADO
2	SL06038	WASHER	1	UNTERLEGSCHIEBE	RONDELLE	ARANDELA	RONDELLA
3	SL03346	GASKET	1	DICHTUNG	JOINT	EMPAQUETADURA	GUARNIZIONE
4	SL04388	INSERT	1	EINSATZ	SEGMENT	ENCAJE	INSERTO
5	SL18393	FLOAT	1	SCHWIMMER	FLOTTEUR	FLOTADOR	GALLEGGIANTE
6	SL03429	GASKET	1	DICHTUNG	JOINT	EMPAQUETADURA	GUARNIZIONE
7	SL03345	FILTER	1	FILTER	FILTRE	FILTRO	FILTRO
8	SL17482-1	SUPPORT	1	HALTERUNG	SUPPORT	SOPORTE	SUPPORTO
9	SL04095	SCREW	3	SCHRAUBE	VIS	TORNILLO	VITE
10	SL04310	SCREW	1	SCHRAUBE	VIS	TORNILLO	VITE
11	SL05017	NUT	4	MUTTER	ECROU	TUERCA	DADO
12	SL06071	WASHER	2	UNTERLEGSCHIEBE	RONDELLE	ARANDELA	RONDELLA
13	SL04276	SCREW	2	SCHRAUBE	VIS	TORNILLO	BARRA FILETTATA
14	SL06022	WASHER	4	UNTERLEGSCHIEBE	RONDELLE	ARANDELA	RONDELLA
15	SL17554	BULKHEAD	1	TRENNWAND	CLOISON	MAMPARO	PARETE CUFFIA
16	SL09827	ROD	1	STANGE	TIGE	VARILLA	ASTINA
20	SL19248	PIPE	1	ROHR	TUBE	TUBO	TUBO
21	SL05041	NUT	2	MUTTER	ECROU	TUERCA	DADO
22	SL03514	SUCTION CONVEYOR	1	SAUGFÖRDERER	CONVOYEUR ASPIRATION	TRANSPORTADOR SUCCION	CONVOGLIATORE
23	SL14240	CAP	1	STOPFEN, VERSCHLUSS	BOUCHON	TAPON	TAPPO
24	SL03297	CAP / SHELL	1	SCHUTZGEHÄUSE	PROTECTEUR	GORRO / PROTECCION	CUFFIA
25	SL02303-J	EXHAUSTER / ASPIRATOR	1	SAUGER	ASPIRATEUR / SUCEUSE	ASPIRADOR	ASPIRATORE
27	SL03033	GASKET	1	DICHTUNG	JOINT	EMPAQUETADURA	GUARNIZIONE

CODE:

pl1347 ac SN from 02C000

DESCRIPTION: ELECTRIC UNIT ELEKTRISCHE GRUPPE GROUPE ELECTRIQUE GRUPO ELÉCTRICO PARTI ELETTRICHE

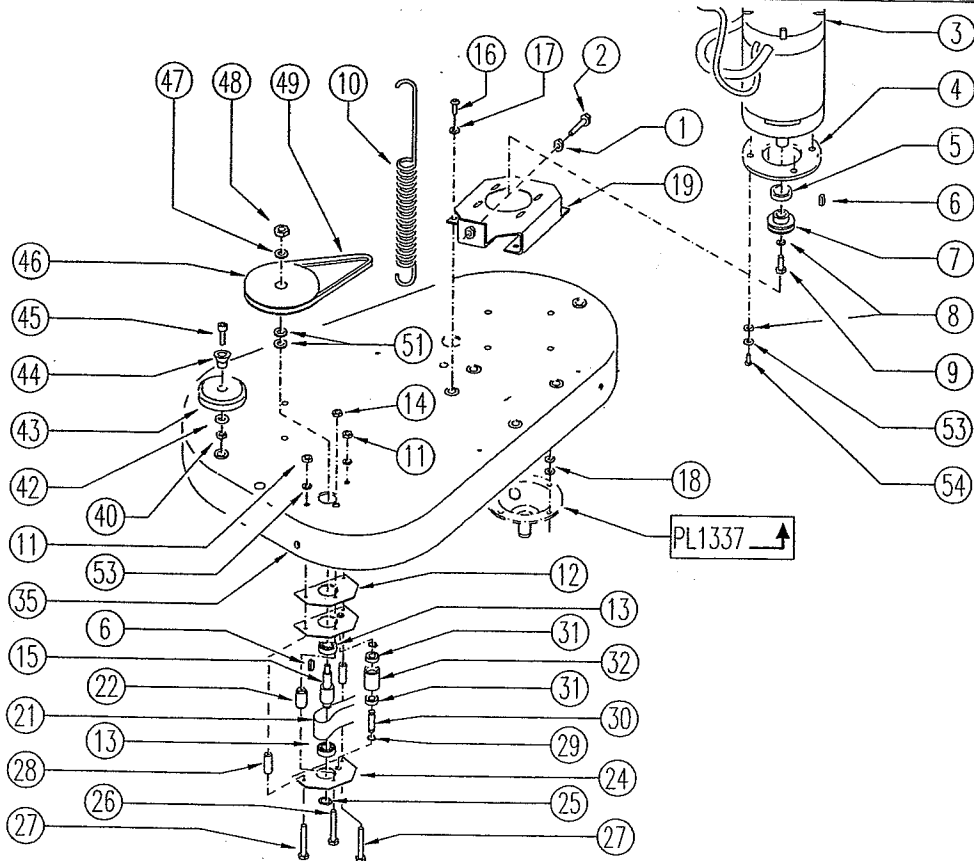


REF	CODE	DESCRIPTION	QT	BESCHREIBUNG	DESCRIPTION	DESCRIPCION	DESCRIZIONE
1	SL23630	WIRING	1	VERKABELUNG	CABLAGE	CABLEO	CABLAGGIO
2	SL04016	SCREW	2	SCHRAUBE	VIS	TORNILLO	VITE
3	SL23696	FUSE	1	SICHERUNG	FUSIBLE	FUSIBLE	FUSIBILE
4	SL23697	FUSE CARRIER	1	SICHERUNGS SOCKEL	PORTE-FUSIBLES	PORTAFUSIBLES	PORTA FUSIBILI
5	SL23629	WIRING	1	VERKABELUNG	CABLAGE	CABLEO	CABLAGGIO
6	SL23103	SUPPORT	1	HALTERUNG	SUPPORT	SOPORTE	SUPPORTO
7	SL06002	WASHER	5	UNTERLEGSCHIEBE	RONDELLE	ARANDELA	RONDELLA
8	SL05004	NUT	5	MUTTER	ECROU	TUERCA	DADO
9	SL04108	SCREW	2	SCHRAUBE	VIS	TORNILLO	VITE
10	SL06038	WASHER	2	UNTERLEGSCHIEBE	RONDELLE	ARANDELA	RONDELLA
11	SL23001	REMOTE CONTROL SWITCH	1	FERNSCHALTER	TELE-INTERRUPTEUR	TELERRUPTOR	TELERUTTORE
12	SL06087	WASHER	1	UNTERLEGSCHIEBE	RONDELLE	ARANDELA	RONDELLA
13	SL05039	NUT	1	MUTTER	ECROU	TUERCA	DADO
15	SL23628	WIRING	1	VERKABELUNG	CABLAGE	CABLEO	CABLAGGIO
16	AL03122	BATTERY	2	BATTERIE	BATTERIE	BATERIA	BATTERIA
17	SL23838	BRIDGE / JUMPER	1	BRÜCKE	PONT	PUENTE	PONTE
18	GR17162-1	PLATE	1	TELLER	PLAT	PLATO	PIATTO
19	SL39096	SUPPORT	1	HALTERUNG	SUPPORT	SOPORTE	SUPPORTO
20	SL04316	SCREW	2	SCHRAUBE	VIS	TORNILLO	VITE

CODE:

pl1455 ab SN from 01C000

DESCRIPTION: HEAD: MOTOR KOPF: MOTOR TETE: MOTEUR CABEZA: MOTOR TESTATA: MOTORE

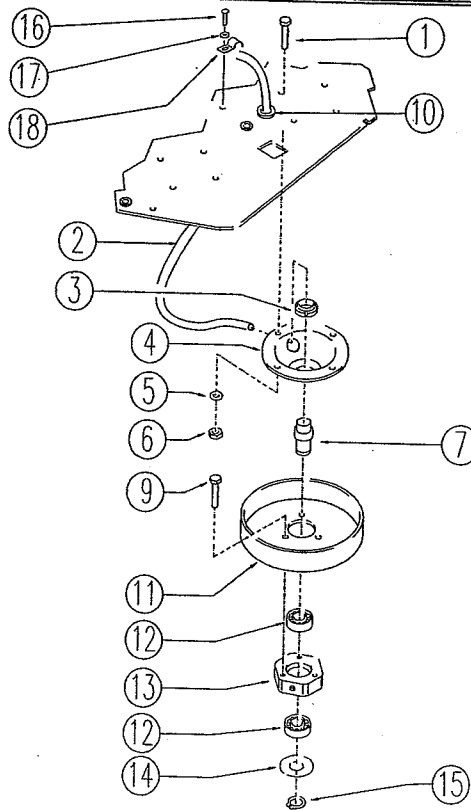


REF.	CODE	DESCRIPTION	QT	BESCHREIBUNG	DESCRIPTION	DESCRIPCION	DESCRIZIONE
1	SL05004	NUT	1	MUTTER	ECROU	TUERCA	DADO
2	SL04164	SCREW	1	SCHRAUBE	VIS	TORNILLO	VITE
3	SL02033	MOTOR	1	MOTOR	MOTEUR	MOTOR	MOTORE
4	SL09648	FLANGE	1	FLANSCH	BRIDE	BRIDA	FLANGIA
5	SL07536	SPACER	1	DISTANZSTÜCK	ENTRETOISE	DISTANCIADOR	DISTANZIALE
6	SL11010	TANG / TONGUE	2	LAPPEN	LANGUETTE	LENGUETA	LINGUETTA
7	SL10049	PULLEY	1	RIEMENSCHLEIBE	POULIE	POLEA	PULEGGIA
8	SL06039	WASHER	5	UNTERLEGSCHLEIBE	RONDELLE	ARANDELA	RONDELLA
9	SL04135	SCREW	1	SCHRAUBE	VIS	TORNILLO	VITE
10	SL13082	SPRING	1	FEDER	RESSORT	RESORTE	MOLLA
11	SL05088	NUT	2	MUTTER	ECROU	TUERCA	DADO
12	SL03541	GASKET	1	DICHTUNG	JOINT	EMPAQUETADURA	GUARNIZIONE
13	SL12029	BEARING	2	LAGER	PALIER / ROULEMENT	COJINETE	CUSCINETTO
14	SL05017	NUT	1	MUTTER	ECROU	TUERCA	DADO
15	SL07190	SHAFT	1	WELLE	ARBRE	ARBOL	ALBERO
16	SL04039	SCREW	4	SCHRAUBE	VIS	TORNILLO	VITE
17	SL06093	WASHER	4	UNTERLEGSCHLEIBE	RONDELLE	ARANDELA	RONDELLA
18	SL06022	WASHER	8	UNTERLEGSCHLEIBE	RONDELLE	ARANDELA	RONDELLA
19	SL39127	SUPPORT	1	HALTERUNG	SUPPORT	SOPORTE	SUPPORTO
21	SL16042	BELT	1	RIEMEN	COURROIE	CORREA	CINGHIA
22	SL07545	SPACER	1	DISTANZSTÜCK	ENTRETOISE	DISTANCIADOR	DISTANZIALE
24	SL39053	PLATE	2	PLATTE	PLAQUE	PLACA	PIASTRA
25	SL11100	RING	1	RING	ANNEAU / BAGUE	ANILLO	ANELLO
26	SL04061	SCREW	1	SCHRAUBE	VIS	TORNILLO	VITE
27	SL04058	SCREW	2	SCHRAUBE	VIS	TORNILLO	VITE
28	SL07143	SPACER	2	DISTANZSTÜCK	ENTRETOISE	DISTANCIADOR	DISTANZIALE
29	SL11095	RING	2	RING	ANNEAU / BAGUE	ANILLO	ANELLO
30	SL11041	PIN / PLUG	1	STECKER	GOUILLE / FICHE	CLAVIJA	SPINA
31	SL12003	BEARING	2	LAGER	PALIER / ROULEMENT	COJINETE	CUSCINETTO
32	SL10045	PULLEY	1	RIEMENSCHLEIBE	POULIE	POLEA	PULEGGIA
35	SL39121	HEAD	1	KOPF	TETE	CABEZA	TESTATA
40	SL05048	SCREW	3	SCHRAUBE	VIS	TORNILLO	VITE
42	SL06025	WASHER	3	UNTERLEGSCHLEIBE	RONDELLE	ARANDELA	RONDELLA
43	SL08040	WHEEL / SMALL WHEEL	3	RAD / RADCHEN	ROUE	RUEDA / RUEDECILLA	RUOTA
44	SL07390	BUSHING / BUSH	3	BUCHSE	DOUILLE	CASQUILLO / FORRO	BOCCOLA
45	SL04167	SCREW	3	SCHRAUBE	VIS	TORNILLO	VITE
46	SL10077	PULLEY	1	RIEMENSCHLEIBE	POULIE	POLEA	PULEGGIA
47	SL06087	WASHER	1	UNTERLEGSCHLEIBE	RONDELLE	ARANDELA	RONDELLA
48	SL05039	NUT	1	MUTTER	ECROU	TUERCA	DADO
49	SL16010	BELT	1	RIEMEN	COURROIE	CORREA	CINGHIA
51	SL06058	WASHER	2	UNTERLEGSCHLEIBE	RONDELLE	ARANDELA	RONDELLA
53	SL06023	WASHER	8	UNTERLEGSCHLEIBE	RONDELLE	ARANDELA	RONDELLA
54	SL04002	SCREW	4	SCHRAUBE	VIS	TORNILLO	VITE

CODE:

pl1337 ac SN from 01K199

DESCRIPTION: HEAD: AXLE PULLEY KOPF: RIEMENSCHLEIBENACHS TETE: ESSIEU POULIE CABEZA: EJE POLEA TEST.:ASSE PULEGGIA



REF	CODE	DESCRIPTION	QT	BESCHREIBUNG	DESCRIPTION	DESCRIPCION	DESCRIZIONE
1	SL04105	SCREW	8	SCHRAUBE	VIS	TORNILLO	VITE
2	SL19329	HOSE	2	SCHLAUCH	TUYAU	TUBO FLEXIBLE	TUBO
3	SL05049	NUT	2	NUTMUTTER	FRETTE	ANILLO	GHIERA
4	SL09820	FLANGE	2	FLANSCH	BRIDE	BRIDA	FLANGIA
5	SL06003	WASHER	2	UNTERLEGSCHLEIBE	RONDELLE	ARANDELA	ROSETTA
6	SL05039	NUT	8	MUTTER	ECROU	TUERCA	DADO
7	SL07535	PIN	2	ZAPFEN	PIVOT	PERNO / PIVOTE	PERNO
9	SL04119	SCREW	6	SCHRAUBE	VIS	TORNILLO	VITE
10	SL23694	FAIRLEAD	2	KABELDURCHFUEHRUNG	PASSE-CABLE	GUIACABOS	PASSACAVO
11	SL10047	PULLEY	2	RIEMENSCHLEIBE	POULIE	POLEA	PULEGGIA
12	SL12025	BEARING	4	LAGER	PALIER / ROULEMENT	COJINETE	CUSCINETTO
13	SL14175	HEXAGON	2	SECHSKANT	HEXAGONE	HEXAGONO	ESAGONO
14	SL03247	GUARD	2	SCHUTZ	PROTECTION	PROTECCION	PROTEZIONE
15	SL11096	SEEGER	2	SEEGER	SUCEUR	SEEGER	SEEGER
16	SL04079	SCREW	2	SCHRAUBE	VIS	TORNILLO	VITE
17	SL06031	WASHER	2	UNTERLEGSCHLEIBE	RONDELLE	ARANDELA	ROSETTA
18	SL23381	CLAMP	2	SHELLE	BANDE	ABRAZADERA	FASCETTA

DESCRIPTION:

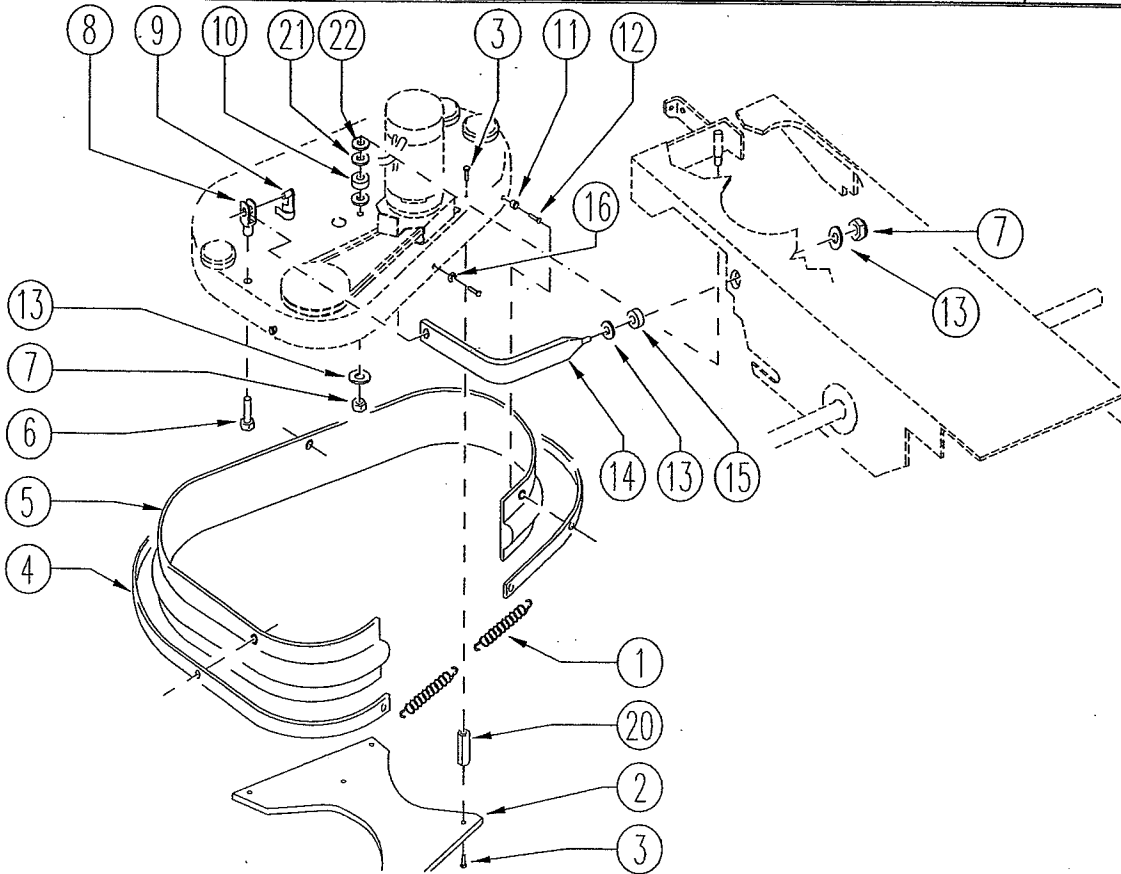
HEAD: FLAP

KOPF: FLAP

TETE: FLAP

CABEZA: FLAP

TESTATA: FLAP



REF.	CODE	DESCRIPTION	QT	BESCHREIBUNG	DESCRIPTION	DESCRIPCION	DESCRIZIONE
1	SL13008	SPRING	2	FEDER	RESSORT	RESORTE	MOLLA
2	SL03552	GUARD	1	SCHUTZ	PROTECTION	PROTECCION	PROTEZIONE
3	SL04006	SCREW	10	SCHRAUBE	VIS	TORNILLO	VITE
4	SL03539	FLAP PRESS	1	FLAPNIEDERHALTER	PRESSE-FLAP	APRIETAFLAP	PREMI FLAP
5	SL03538	FLAP	1	FLAP	FLAP	FLAP	FLAP
6	SL04134	SCREW	1	SCHRAUBE	VIS	TORNILLO	VITE
7	SL05039	NUT	2	MUTTER	ECROU	TUERCA	DADO
8	SL22008	FORK	1	GABEL	FOURCHE	HORQUILLA	FORCELLA
9	SL22010	BRACKET / CLASP	1	KLIPS	CLIP	ABRAZADERA	CLIP
16	SL05016	NUT	1	MUTTER	ECROU	TUERCA	DADO
20	SL14355	SPACER	5	DISTANZSTÜCK	ENTRETOISE	DISTANCIADOR	DISTANZIALE
21	SL06062	WASHER	2	UNTERLEGSCHIEBE	RONDELLE	ARANDELA	RONDELLA
22	SL06101	WASHER	1	UNTERLEGSCHIEBE	RONDELLE	ARANDELA	RONDELLA
10	SL03209	RUBBER SHIM	1	ZWISCHENLEGSCHIEBE AUS GUMMI	CALE EN CAOUTCHOUC	ROSTRA DE GOMA	GOMMINO
11	SL07375	SPACER	3	DISTANZSTÜCK	ENTRETOISE	DISTANCIADOR	DISTANZIALE
12	SL04367	SCREW	4	SCHRAUBE	VIS	TORNILLO	VITE
13	SL06041	WASHER	3	UNTERLEGSCHIEBE	RONDELLE	ARANDELA	RONDELLA
14	SL39137	LEVER	1	HEBEL	LEVIER	PALANCA	LEVA
15	SL07150	SPACER	1	DISTANZSTÜCK	ENTRETOISE	DISTANCIADOR	DISTANZIALE

CODE:

pl1341 ad SN from 01K198

DESCRIPTION:

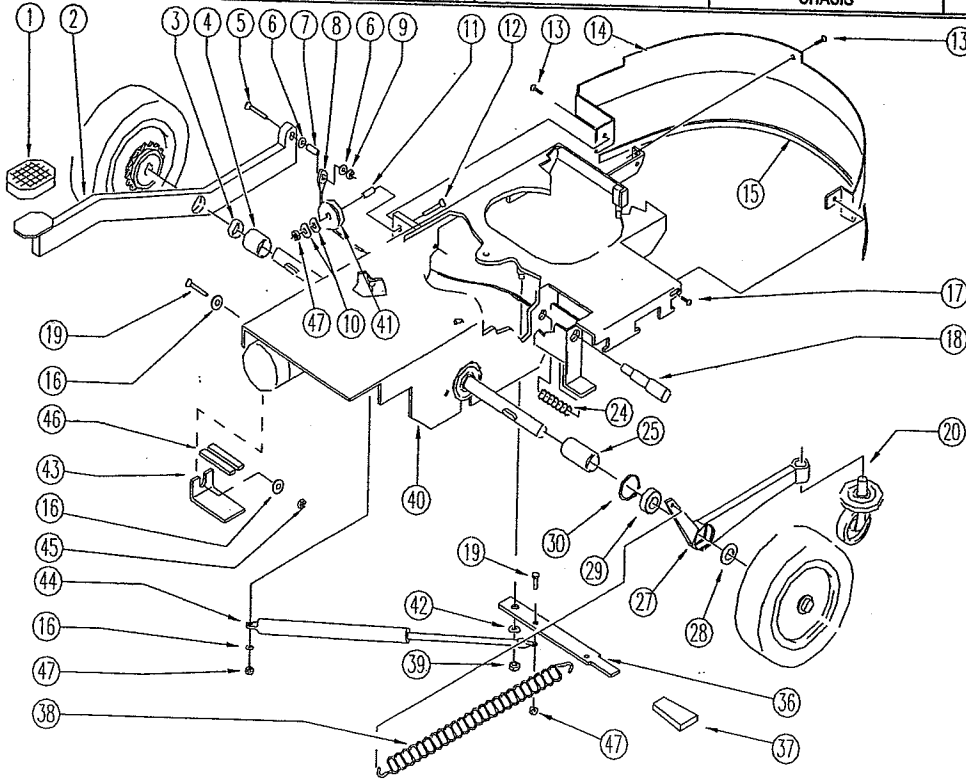
FRAME

RAHMEN

CADRE

CHASIS

TELAIO

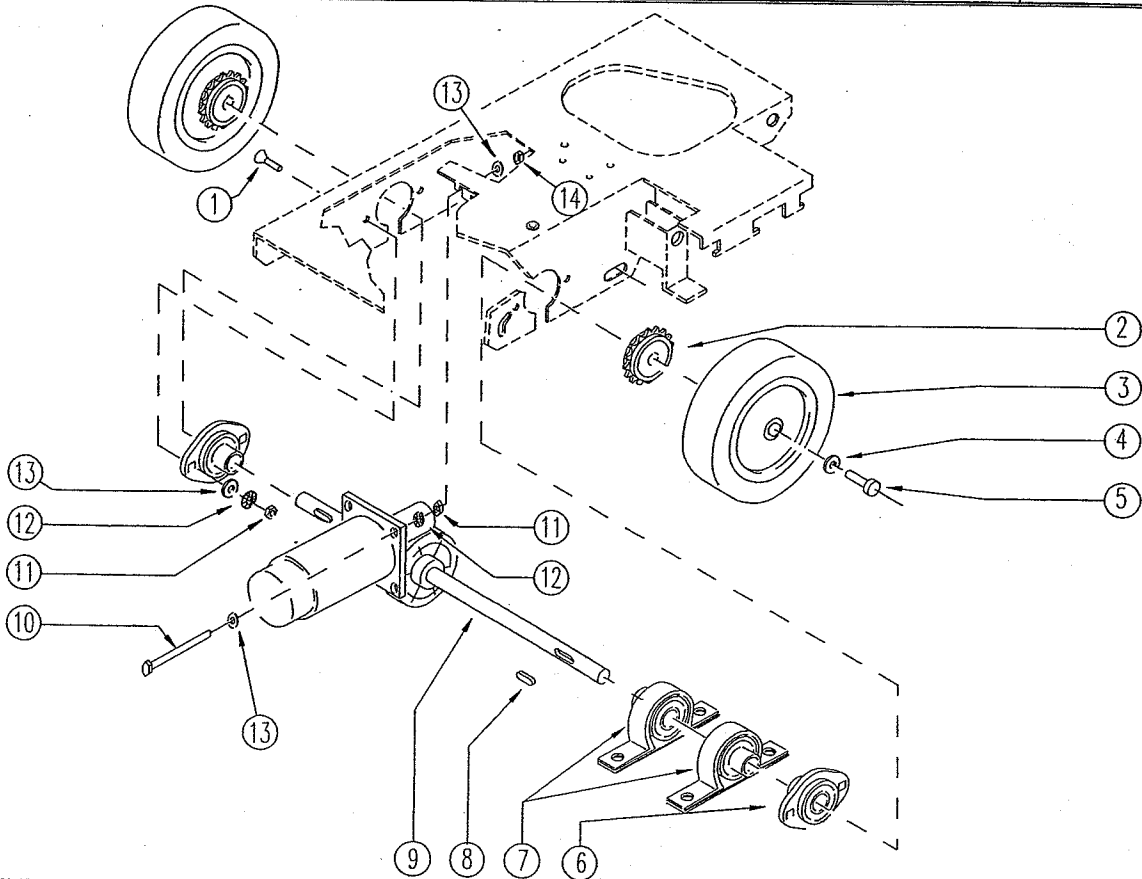


REF	CODE	DESCRIPTION	QT	BESCHREIBUNG	DESCRIPTION	DESCRIPCION	DESCRIZIONE
1	SL20009	RUBBER SHIM	1	ZWISCHENLEGSCHIBE AUS GUMMI	CALE EN CAOUTCHOUC	RIOSTRA DE GOMA	GOMMA
2	SL39049	PEDAL	1	PEDAL	PEDALE	PEDAL	PEDALE
3	SL12071	BEARING	1	LAGER	PALIER / ROULEMENT	COJINETE	CUSCINETTO
4	SL07519	SPACER	1	DISTANZSTÜCK	ENTRETOISE	DISTANCIADOR	DISTANZIALE
5	SL04036	SCREW	1	SCHRAUBE	VIS	TORNILLO	VITE
6	SL06034	WASHER	1	UNTERLEGSCHIBE	RONDELLE	ARANDELA	RONDELLA
7	SL07561	SPACER	2	DISTANZSTÜCK	ENTRETOISE	DISTANCIADOR	DISTANZIALE
8	SL14346	CABLE	1	DRAHT	PEITIT CABLE	CABLECITO	CAVO
9	SL05087	NUT	1	MUTTER	ECROU	TUERCA	DADO
10	SL06064	WASHER	2	UNTERLEGSCHIBE	RONDELLE	ARANDELA	RONDELLA
11	SL07164	SPACER	1	DISTANZSTÜCK	ENTRETOISE	DISTANCIADOR	DISTANZIALE
12	SL04096	SCREW	1	SCHRAUBE	VIS	TORNILLO	VITE
13	SL04079	SCREW	2	SCHRAUBE	VIS	TORNILLO	VITE
14	SL39097	BULK-HEAD	1	TRENNWAND	CLOISON	MAMPARO	PARATIA
15	SL03542	OUTLINE	1	PROFIL	PROFIL	PERFIL / CONTORNO	PROFILO
16	SL06022	WASHER	3	UNTERLEGSCHIBE	RONDELLE	ARANDELA	RONDELLA
17	SL04065	SCREW	1	SCHRAUBE	VIS	TORNILLO	VITE
18	SL07516	PIN	1	ZAPFEN	PIVOT	PERNO / PIVOTE	PERNO
19	SL04135	SCREW	2	SCHRAUBE	VIS	TORNILLO	VITE
20	SL08057	WHEEL	1	RAD / RADCHEN	ROUE	RUEDA / RUEDECILLA	RUOTA/RUOTINO
24	SL13128	SPRING	1	FEDER	RESSORT	RESORTE	MOLLA
25	SL07520	SPACER	1	DISTANZSTÜCK	ENTRETOISE	DISTANCIADOR	DISTANZIALE
27	SL39046	SUPPORT	1	HALTERUNG	SUPPORT	SOPORTE	SUPPORTO
28	SL06058	WASHER	2	UNTERLEGSCHIBE	RONDELLE	ARANDELA	RONDELLA
29	SL12030	BEARING	1	LAGER	PALIER / ROULEMENT	COJINETE	CUSCINETTO
30	SL11033	SEEGER	1	SEEGER	SUCIEUR	SEEGER	SEEGER
36	SL39048	LEVER	1	HEBEL	LEVIER	PALANCA	LEVA
37	SL20054	HANDGRIP	1	KNOPF	POIGNEE	EMPUNADURA / BOTÓN	MANOPOLA
38	SL13130	SPRING	1	FEDER	RESSORT	RESORTE	MOLLA
39	SL05039	NUT	1	MUTTER	ECROU	TUERCA	DADO
40	SL39050	FRAME	1	RAHMEN	ECROU	TUERCA	DADO
41	SL07094	PULLEY	1	RIEMENSCHIBE	POULIE	POLEA	TELAIO
42	SL06041	WASHER	1	UNTERLEGSCHIBE	RONDELLE	ARANDELA	PLUGGIA
43	SL09416	SUPPORT	1	HALTERUNG	SUPPORT	SOPORTE	RONDELLA
44	SL13119	SPRING	1	FEDER	RESSORT	RESORTE	SUPPORTO
45	SL05041	NUT	1	MUTTER	ECROU	TUERCA	DADO
46	SL03571	SOFT GASKET	2	WEICHE DICHTUNG	JOINT SOUPLE	JUNTA BLANDA	MOUSSE
47	SL05058	NUT	3	MUTTER	ECROU	TUERCA	DADO

CODE:

pl1343 aa SN from 00G056

DESCRIPTION: DRIVE ANTRIEB TRACTION TRACCION TRAZIONE

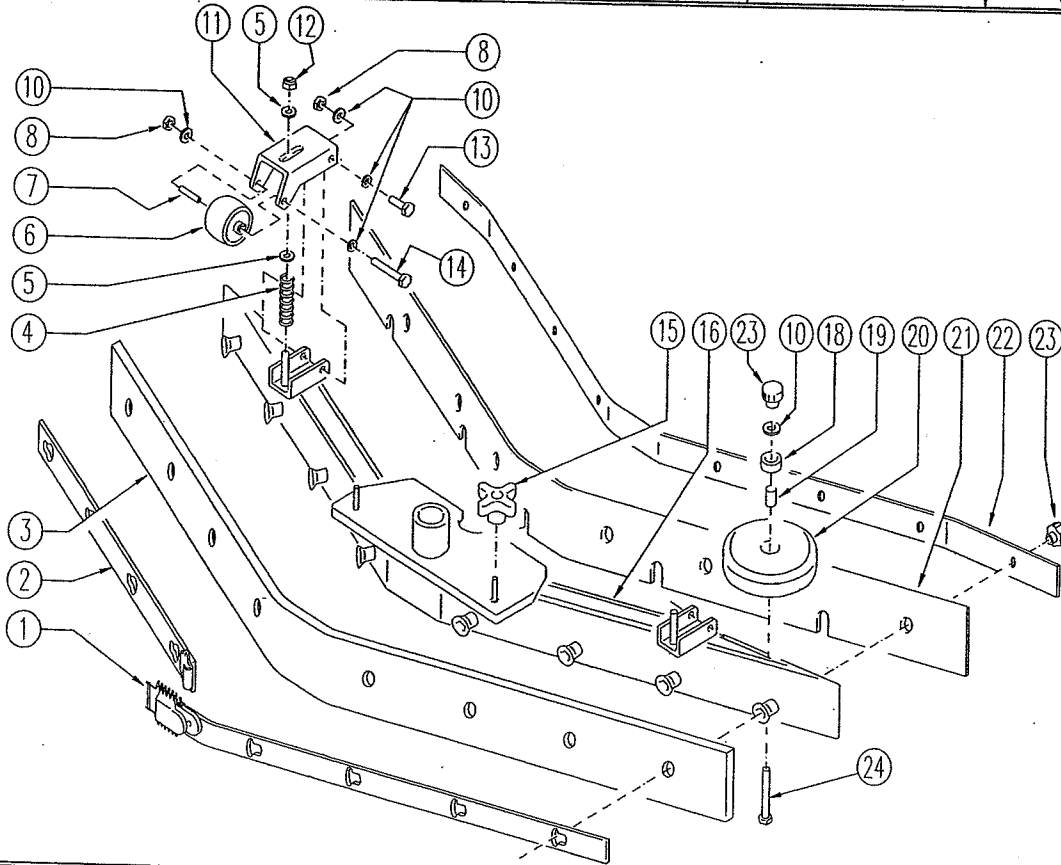


REF	CODE	DESCRIPTION	QT	BESCHREIBUNG	DESCRIPTION	DESCRIPCION	DESCRIZIONE
1	SL04339	SCREW	4	SCHRAUBE	VIS	TORNILLO	VITE
2	GR12011	BEARING	2	LAGER	PALIER/ROULEMENT	COJINETE	CUSCINETTO
3	SL08033	WHEEL	2	RÄDCHEN	ROUE	RUEDA/RUEDECILLA	RUOTA
4	SL06025	WASHER	2	UNTERLEGSCHIEBE	RONDELLE	ARANDELA	RONDELLA
5	SL04077	SCREW	2	SCHRAUBE	VIS	TORNILLO	VITE
6	SL12022	FLANGE	2	FLANSCH	BRIDE	BRIDA	FLANGIA
7	SL12070	SUPPORT	2	HALTERUNG	SUPPORT	SOPORTE	SUPPORTO
8	SL11034	TANG/TONGUE	2	LAPPEN	LANGUETTE	LENGÜETA	LINGUETTA
9	SL02202	MOTOR - SHAFT	1	WELLE	ARBRE	ARBOL	MOTORE CON ALBERO
10	SL04194	SCREW	1	SCHRAUBE	VIS	TORNILLO	VITE
11	SL05017	NUT	5	MÜTTER	ECROU	TUERCA	DADO
12	SL06023	WASHER	5	UNTERLEGSCHIEBE	RONDELLE	ARANDELA	RONDELLA
13	SL06022	WASHER	7	UNTERLEGSCHIEBE	RONDELLE	ARANDELA	RONDELLA
14	SL05041	NUT	1	MÜTTER	ECROU	TUERCA	DADO

CODE:

pl1010 ae SN from 01J899

DESCRIPTION:	SQUEEGEE	SQUEEGEE	SQUEEGEE	SQUEEGEE	SQUEEGEE
--------------	----------	----------	----------	----------	----------



REF.	CODE	DESCRIPTION	QT	BESCHREIBUNG	DESCRIPTION	DESCRIPCION	DESCRIZIONE
	GR39027	SQUEEGEE UNIT		SAUGFUßGRUPPE	GROUPE SUCEUR	GRUPO ESCURRESUELOS	GRUPPO SQUEEGEE
1	SL39029	BLADE HOLDER	1	LIPPENHALTER	FIXE-LAME	DISPOSITIVO DE BLOQUEO HOJA	BLOCCA LAMA
2	SL39030	BLADE HOLDER	1	LIPPENHALTER	FIXE-LAME	DISPOSITIVO DE BLOQUEO HOJA	BLOCCA LAMA
3	SL03518	BLADE	1	GUMMILIPPE	LAME	HOJA	LAMA POSTERIORE
4	SL13103	SPRING	2	FEDER	RESSORT	RESSORTE	MOLLA
5	SL06041	WASHER	4	SCHEIBE	RONDELLE	ARANDELA	RONDELLA
6	SL08058	WHEEL	2	RÄDCHEN	ROUE	RUEDA	RUOTINO REGOLAZIONE
7	SL07526	SPACER	2	DISTANZSTÜCK	ENTRETOISE	ESPESOR	DISTANZIALE
8	SL05058	NUT	6	MUTTER	ECROU	TUERCA	DADO
10	SL06022	WASHER	14	SCHEIBE	RONDELLE	ARANDELA	RONDELLA
11	SL39033	SUPPORT	2	HALTERUNG	SUPPORT	SOPORTE	SUPPORTO RUOTINO REG.
12	SL05039	NUT	2	MUTTER	ECROU	TUERCA	DADO
13	SL04135	SCREW	4	SCHRAUBE	VIS	TORNILLO	VITE
14	SL04061	SCREW	2	SCHRAUBE	VIS	TORNILLO	VITE
15	SL20061	HANDLE	1	KNAUF	POIGNEE	PERILLA	POMOLO
16	SL39136	BODY	1	KÖRPER	CORPS	CUERPO	CORPO SQUEEGEE
18	SL17608	BUSHING/BUSH	2	BLICHSE	DOUILLE	CASQUILLO/FORRO	BOCCOLA
19	SL07065	SPACER	2	DISTANZSTÜCK	ENTRETOISE	ESPESOR	DISTANZIALE
20	SL08040	WHEEL	2	RÄDCHEN	ROUE	RUEDA	RUOTINO ANTIURTO
21	SL03517	BLADE	1	GUMMILIPPE	LAME	HOJA	LAMA ANTERIORE
22	SL39028	BLADE HOLDER	1	LIPPENHALTER	FIXE-LAME	DISPOSITIVO DE BLOQUEO HOJA	BLOCCA LAMA
23	SL20058	HANDLE	10	KNAUF	POIGNEE	PERILLA	POMOLO
24	SL04058	SCREW	2	SCHRAUBE	VIS	TORNILLO	VITE

CODE:

pl1467 aa SN from 01J899

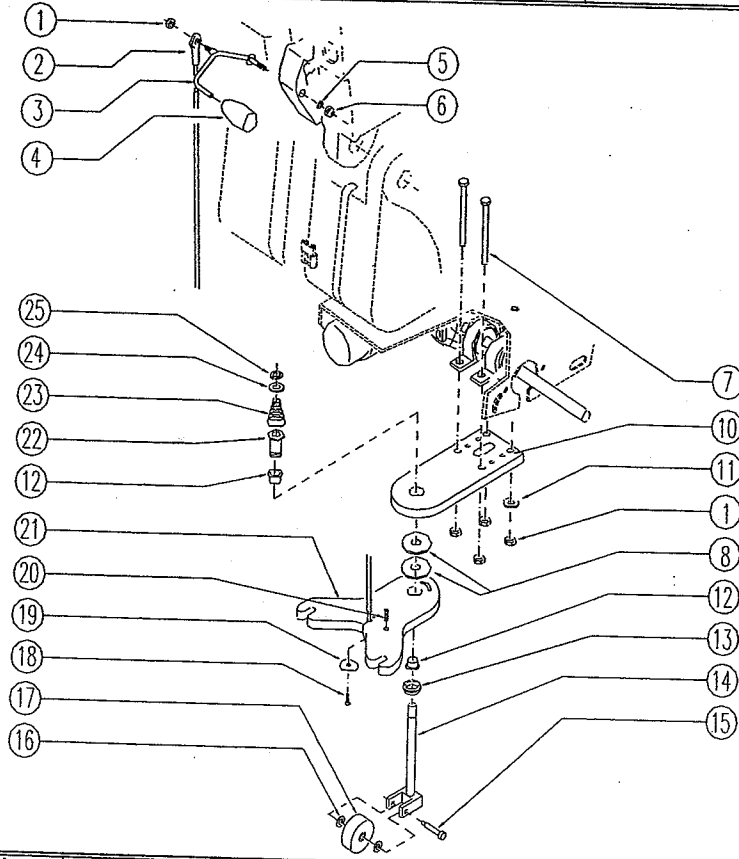
DESCRIPTION: SQUEEGEE SUPPORT

SAUGFUßHALTERUNG

SUPPORT SUCEUR

SOPORTE ESCURRESUELOS

SUPP. SQUEEGEE

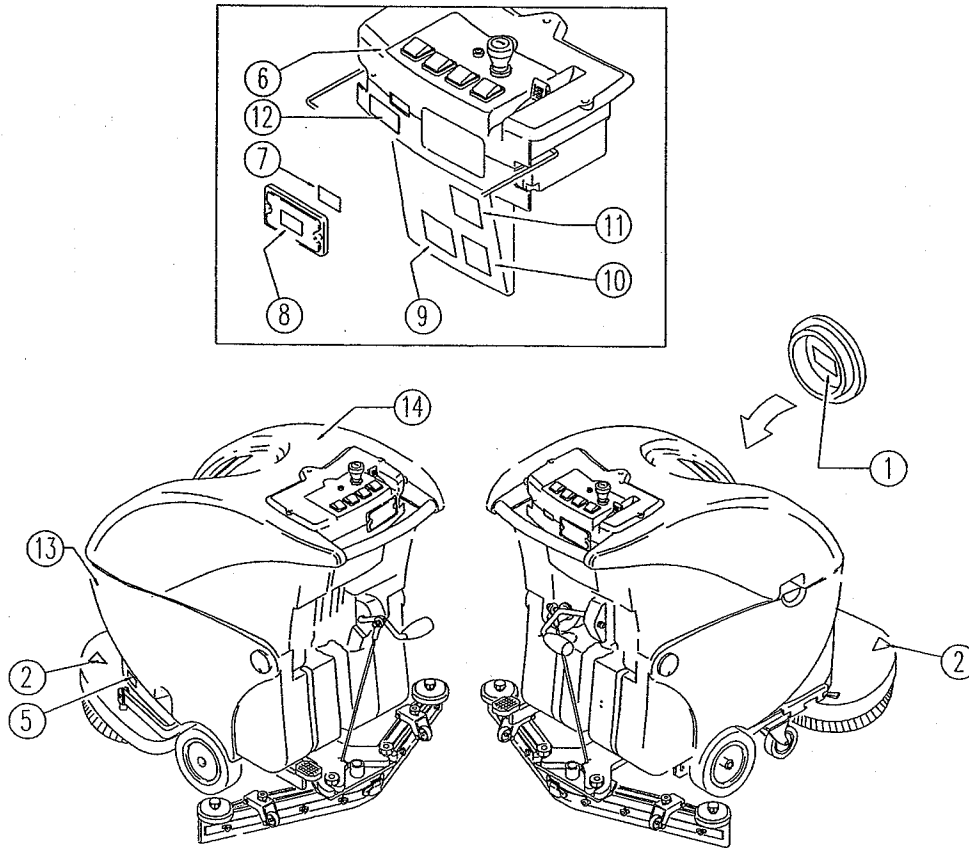


REF	CODE	DESCRIPTION	QT	BESCHREIBUNG	DESCRIPTION	DESCRIPCION	DESCRIZIONE
1	SL05039	NUT	5	MUTTER	ECROU	TUERCA	DADO
2	SL14361	CABLE	1	KABEL	CABLE	CABLE	CAVO SOLLEVAMENTO
3	SL39036	LEVER	1	HEBEL	LEVIER	PALANCA	LEVA SOLLEVAMENTO
4	SL20067	HANDGRIP	1	HANDGRIFF	MANCHE	EMPUNADURA	IMPUGNATURA
5	SL06050	WASHER	1	UNTERLEGSCHIEBE	RONDELLE	ARANDELA	RONDELLA
6	SL05032	NUT	1	MUTTER	ECROU	TUERCA	DADO
7	SL04004	SCREW	4	SCHRAUBE	VIS	TORNILLO	VITE
8	SL06106	WASHER	2	UNTERLEGSCHIEBE	RONDELLE	ARANDELA	RONDELLA
10	SL39032	SUPPORT	1	HALTERUNG	SUPPORT	SOPORTE	SUPPORTO
11	SL06003	WASHER	4	UNTERLEGSCHIEBE	RONDELLE	ARANDELA	RONDELLA
12	SL12035	BEARING	2	LAGER	PALIER / ROULEMENT	COJINETE	CUSCINETTO
13	SL05036	NUT	1	NUTMUTTER	FRETTE	ANILLO	GHIERA
14	SL39170	SUPPORT	1	HALTERUNG	SUPPORT	SOPORTE	SUPPORTO
15	SL04374	SCREW	1	SCHRAUBE	VIS	TORNILLO	VITE
16	SL06025	WASHER	2	UNTERLEGSCHIEBE	RONDELLE	ARANDELA	RONDELLA
17	SL08043-1	WHEEL / SMALL WHEEL	1	RAD / RADCHEN	ROUE	RUEDA / RUEDECILLA	RUOTINO
18	SL04319	SCREW	1	SCHRAUBE	VIS	TORNILLO	VITE
19	SL06084	WASHER	1	UNTERLEGSCHIEBE	RONDELLE	ARANDELA	RONDELLA
20	SL11126	GRAIN	1	STIFT	VIS SANS TETE	GRANO	GRANO
21	SL39031	PLATE	1	PLATTE	PLAQUE	PIASTRA	PIASTRA
22	SL07509	PIN	1	ZAPFEN	PIVOT	PERNO / PIVOTE	PERNO
23	SL13126	SPRING	1	FEDER	RESSORT	RESORTE	RESORTE
24	SL06112	WASHER	1	UNTERLEGSCHIEBE	RONDELLE	ARANDELA	RONDELLA
25	SL11095	RING	1	RING	ANNEAU / BAGUE	ANILLO	ANELLO

CODE:

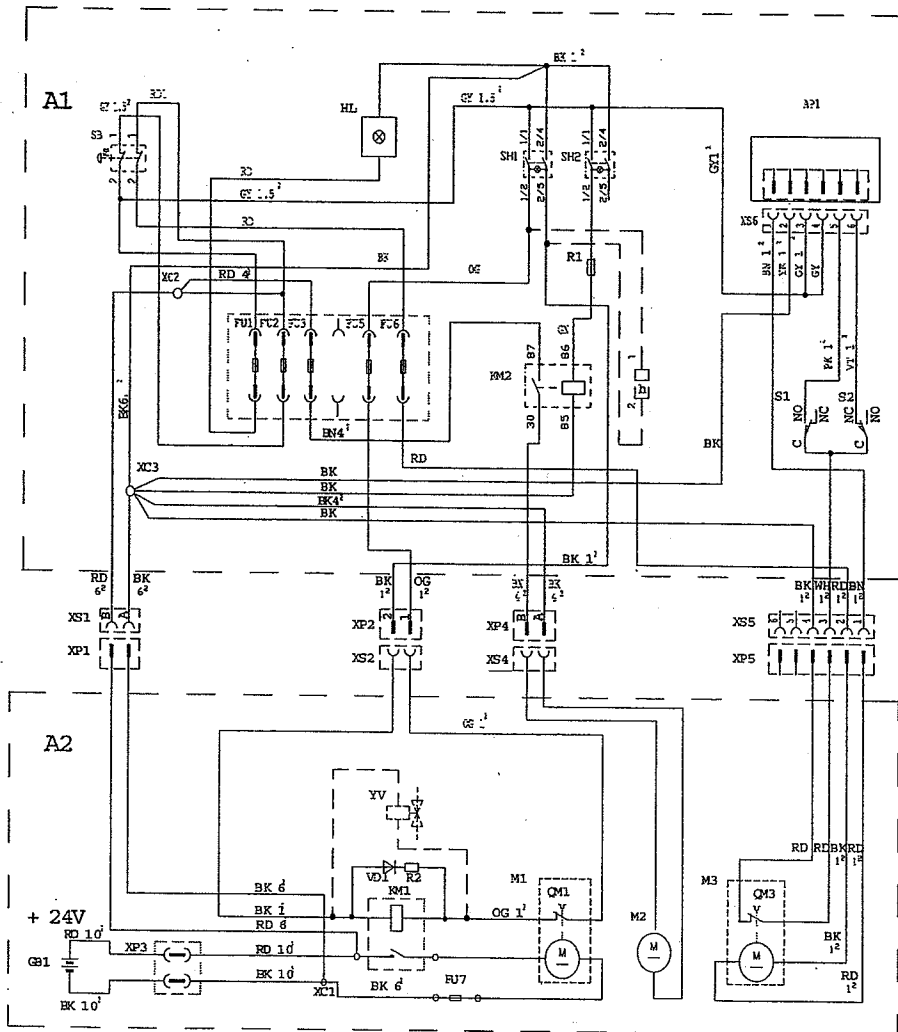
pl1339BC ab SN from 01B600

DESCRIPTION: LABEL-EXTERNAL PARTS REIHE AUFKLEBER JEU D'ADHESIFS ETIQUETAS ADHESIVAS ADESIVI-PARTI ESTERNE



REF. CODE	DESCRIPTION	QT	BESCHREIBUNG	DESCRIPTION	DESCRIPCION	DESCRIZIONE
1 SL25056	LABEL	1	ETIKETT	ETIQUETTE	ETIQUETA	ETICHETTA
2 SL25364	LABEL	2	ETIKETT	ETIQUETTE	ETIQUETA	ETICHETTA
5 SL25369	LABEL	1	ETIKETT	ETIQUETTE	ETIQUETA	ETICHETTA
6 SL25960	LABEL	1	ETIKETT	ETIQUETTE	ETIQUETA	ETICHETTA
7 SL25928	LABEL	1	ETIKETT	ETIQUETTE	ETIQUETA	ETICHETTA
8 SL25187	LABEL	1	ETIKETT	ETIQUETTE	ETIQUETA	ETICHETTA
9 SL25002	LABEL	1	ETIKETT	ETIQUETTE	ETIQUETA	ETICHETTA
10 SL25177	LABEL	1	ETIKETT	ETIQUETTE	ETIQUETA	ETICHETTA
11 SL25053	LABEL	1	ETIKETT	ETIQUETTE	ETIQUETA	ETICHETTA
12 SL25401-3	PART NUMBER	1	KENNUMMER	MATRICULE	MATRICULA	MATRICOLA
13 SL17594GR	TANK	1	TANK	RESERVOIR	TANQUE	SERBATOIO SOLUZIONE
14 SL175958C	TANK	1	TANK	RESERVOIR	TANQUE	SERBATOIO RECUPERO

BK	BLACK	BL	BLUE
BN	BROWN	VT	VIOLET
RD	RED	GY	GREY
OG	ORANGE	WH	WHITE
YE	YELLOW	PK	PINK
GN	GREEN	TQ	TURQUOISE



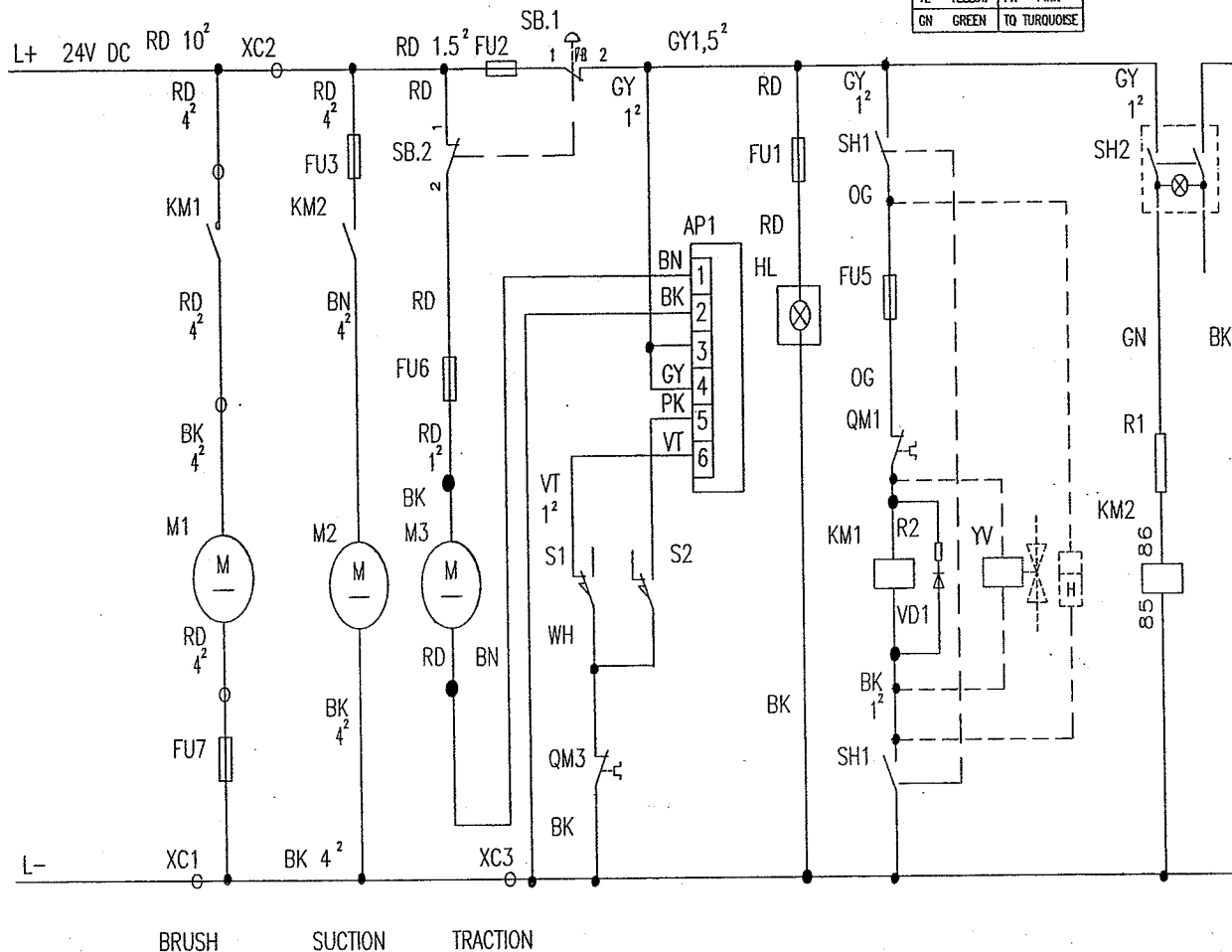
REF	CODE	DESCRIPTION	QT	BESCHREIBUNG	DESCRIPTION	DESCRIPCION	DESCRIZIONE
AP1	SL23731-2	GEARCASE / BOARD		ZENTRALE / KARTE	FICHE DE CONTROLE	CENTRALITA / TARIJETA	CENTRALINA TRAZIONE
FU1	SL23144	FUSIBLE		SICHERUNG	FUSE	FUSIBILE	FUSIBILE 5A
FU2	SL23144	FUSIBLE		SICHERUNG	FUSE	FUSIBILE	FUSIBILE 30A
FU3	SL23148	FUSIBLE		SICHERUNG	FUSE	FUSIBILE	FUSIBILE 30A
FU5	SL23144	FUSIBLE		SICHERUNG	FUSE	FUSIBILE	FUSIBILE 5A
FU6	SL23148	FUSIBLE		SICHERUNG	FUSE	FUSIBILE	FUSIBILE 30A
FU7	SL23696	FUSIBLE		SICHERUNG	FUSE	FUSIBILE	FUSIBILE 60A
GB1		BATERIA		BATTERIE	BATTERY	BATTERIE	BATTERIA
HL	SL23031	INDICADOR		ANZEIGER	INDICATOR	INDICATEUR	INDICATORE
KM1	SL23001	TELEINTERRUPTOR		FERNSCHALTER	REMOTE CONTROL SWITCH	TELE-INTERRUPTEUR	TELERINTUTTORE
KM2	SL23719	RELAY		RELAIS	RELAIS	RELE	RELE / RELAIS
M1	SL02099	MOTOR		MOTOR	MOTOR	MOTEUR	MOTORE SPAZZOLE
M2	SL02303-J	MOTOR		MOTOR	MOTOR	MOTEUR	MOTORE ASPIRAZIONE
M3	SL02202	MOTOR		MOTOR	MOTOR	MOTEUR	MOTORE TRAZIONE
QM1		THERMAL PROTECTION		THERMOSCHUTZ	PROTECTION THERMIQUE	PROTECCION TERMICA	PROTEZIONE TERMICA
QM3		THERMAL PROTECTION		THERMOSCHUTZ	PROTECTION THERMIQUE	PROTECCION TERMICA	PROTEZIONE TERMICA
R1	SL23734	RESISTANCE		WIDERSTAND	RESISTANCE	RESISTENCIA	RESISTENZA
R2	SL23899	RESISTANCE		WIDERSTAND	RESISTANCE	RESISTENCIA	RESISTENZA
S1	SL23109	MICROSWITCH		MIKROSCHALTER	MICRO-INTERRUPTEUR	MICROINTERRUPTOR	MICROINTERRUTTORE
S2	SL23109	MICROSWITCH		MIKROSCHALTER	MICRO-INTERRUPTEUR	MICROINTERRUPTOR	MICROINTERRUTTORE
SB		PUSH-BUTTON		DRUCKKNOPF	POUSSOIR	PULSADOR	PULSANTE EMERGENZA
SH1	SL23183	INTERRUPTOR		SCHALTER	SWITCH	INTERRUPTEUR	INTERRUTTORE
SH2	SL23183	INTERRUPTOR		SCHALTER	SWITCH	INTERRUPTEUR	INTERRUTTORE
VD1	SL23470	DIODE		DIODE	DIODE	DIODO	DIODO
XC1	SL23103	INSULATOR		ISOLIERER	ISOLATEUR	AISLADOR	SUPPORTO ISOLATO
XC2	SL23414	CLAMP		KLEMME	BORNE	BORNE / SUJETADOR	MORSETTO
XC3	SL23414	CLAMP		KLEMME	BORNE	BORNE / SUJETADOR	MORSETTO
XP1	SL23562	CONNECTOR		VERBINDER	CONNECTEUR	CONNECTEUR	CONNETTORE M.2P CPL
XP2	SL23550	CONNECTOR		VERBINDER	CONNECTEUR	CONNECTEUR	CONNETTORE M.2P CPL
XP3	SL23010K	CONNECTOR		VERBINDER	CONNECTEUR	CONNECTEUR	CONNETTORE
XP4	SL23562	CONNECTOR		VERBINDER	CONNECTEUR	CONNECTEUR	CONNETTORE M.2P CPL
XP5	SL23558	CONNECTOR		VERBINDER	CONNECTEUR	CONNECTEUR	CONNETTORE M.6P CPL
XP6	SL23564	CONNECTOR		VERBINDER	CONNECTEUR	CONNECTEUR	CONNETTORE F.2P CPL
XP7	SL23551	CONNECTOR		VERBINDER	CONNECTEUR	CONNECTEUR	CONNETTORE F.2P CPL
XP8	SL23564	CONNECTOR		VERBINDER	CONNECTEUR	CONNECTEUR	CONNETTORE F.2P CPL
XP9	SL23559	CONNECTOR		VERBINDER	CONNECTEUR	CONNECTEUR	CONNETTORE F.2P CPL
XP10	SL23902	CONNECTOR		VERBINDER	CONNECTEUR	CONNECTEUR	CONNETTORE F.6P CPL
h	SL23984J	HOURLY METER (OPTIONAL)		STUNDENZÄHLER (ZUBEHÖR)	COMPTE-HEURES (OPTION)	CUENTAHORAS (OPCIONAL)	CONNETTORE F.6P
YV	SL18404	ELECTROVALVE (OPTIONAL)		ELEKTROVENTIL (ZUBEHÖR)	SOUPAPE ELECTRIQUE (OPTION)	ELECTROVALVULA (OPCIONAL)	CONNETTORE F.2P CPL
YV	SL18404	ELECTROVALVE (OPTIONAL)		ELEKTROVENTIL (ZUBEHÖR)	SOUPAPE ELECTRIQUE (OPTION)	ELECTROVALVULA (OPCIONAL)	ELETTROVALVOLA (ACCESSORIO)
A1		CONTROL PANEL		INSTRUMENTENBRETT	TABEAU DE COMMANDE	CUADRO DE MANDO	PANNELLO COMANDO

CODE:

wd27193-1 ac SN from 02A000

DESCRIPTION: ELEC. SCHEMATIC DIAGRAM SCHALTPLAN SCHEMA ELECTRIQUE ESQUEMA ELECTRICO SCHEMA Elett. FUNZIONALE

BK	BLACK	BU	BLUE
BN	BROWN	VT	VIOLET
RD	RED	GY	GREY
OG	ORANGE	WH	WHITE
YE	YELLOW	PK	PINK
GN	GREEN	TD	TURQUOISE



REF.	CODE	DESCRIPTION	QT	BESCHREIBUNG	DESCRIPTION	DESCRIPCION	DESCRIZIONE
AP1	SL23731-2	GEARCASE / BOARD		ZENTRALE / KARTE	FICHE DE CONTROLE	CENTRALITA / TARIJETA	CENTRALINA TRAZIONE
FU1	SL23144	FUSIBLE		SICHERUNG	FUSE	FUSIBLE	FUSIBILE 5A
FU2	SL23148	FUSIBLE		SICHERUNG	FUSE	FUSIBLE	FUSIBILE E 30A
FU3	SL23148	FUSIBLE		SICHERUNG	FUSE	FUSIBLE	FUSIBILE 30A
FU5	SL23144	FUSIBLE		SICHERUNG	FUSE	FUSIBLE	FUSIBILE 5A
FU6	SL23148	FUSIBLE		SICHERUNG	FUSE	FUSIBLE	FUSIBILE PER 30A
FU7	SL23696	FUSIBLE		SICHERUNG	FUSE	FUSIBLE	FUSIBILE 60 A
GB1		BATERIA		BATTERIE	BATTERY	BATTERIE	BATTERIA
HL	SL23031	INDICADOR		ANZEIGER	INDICATOR	INDICATEUR	INDICATORE
KM1	SL23001	TELEINTERRUPTOR		FERNSCHALTER	REMOTE CONTROL SWITCH	TELE-INTERRUPTEUR	TELERUTTORE
KM2	SL23719	RELAY		RELAIS	RELAIS	RELE	RELE
M1	SL02099	MOTOR		MOTOR	MOTOR	MOTEUR	MOTORE SPAZZOLE
M2	SL02303-J	MOTOR		MOTOR	MOTOR	MOTEUR	MOTORE ASPIRAZIONE
M3	SL02202	MOTOR		MOTOR	MOTOR	MOTEUR	MOTORE TRAZIONE
QM1		THERMAL PROTECTION		THERMOSCHUTZ	PROTECTION THERMIQUE	PROTECCION TERMICA	PROTEZIONE TERMICA
QM3		THERMAL PROTECTION		THERMOSCHUTZ	PROTECTION THERMIQUE	PROTECCION TERMICA	PROTEZIONE TERMICA
R1	SL23734	RESISTANCE		WIDERSTAND	RESISTANCE	RESISTENCIA	RESISTENZA
R2	SL23899	RESISTANCE		WIDERSTAND	RESISTANCE	RESISTENCIA	RESISTENZA
S1	SL23109	MICROSWITCH		MIKROSCHALTER	MICRO-INTERRUPTEUR	MICROINTERRUPTOR	MICROINTERRUTTORE
S2	SL23109	MICROSWITCH		MIKROSCHALTER	MICRO-INTERRUPTEUR	MICROINTERRUPTOR	MICROINTERRUTTORE
SB		PUSH-BUTTON		DRUCKKNOPF, TASTE	BOUTON-POUSSOIR	PULSADOR	PULSANTE EMERGENZA
SH1	SL23183	INTERRUPTOR		SCHALTER	SWITCH	INTERRUPTEUR	INTERRUTTORE
SH2	SL23183	INTERRUPTOR		SCHALTER	SWITCH	INTERRUPTEUR	INTERRUTTORE
VD1	SL23470	DIODE		DIODE	DIODE	DIODO	DIODO
XC1	SL23103	INSULATOR		ISOLIERER	ISOLATEUR	AISLADOR	SUPPORTO ISOLATO
XC2	SL23414	CLAMP		KLEMME	BORNE	BORNE / SUJETADOR	MORSETTO
XC3	SL23414	CLAMP		KLEMME	BORNE	BORNE / SUJETADOR	MORSETTO
h	SL23984J	HOUR METER (OPTIONAL)		STUNDENZÄHLER (ZUBEHÖR)	COMPTE-HEURES (OPTION)	CUENTAHORAS (OPCIONAL)	CONTAORE (ACCESSORIO)
YV	SL18404	ELECTROVALVE (OPTIONAL)		ELEKTROVENTIL (ZUBEHÖR)	SOUPAPE ELECTRIQUE (OPTION)	ELECTROVALVULA (OPCIONAL)	ELETTROVALVOLA (ACCESSORIO)
A1		CONTROL PANEL		INSTRUMENTENBRETT	TABEAU DE COMMANDE	CUADRO DE MANDO	PANNELLO COMANDO
A2		BODY WIRING DIAGRAM		SCHALTPLAN KÖRPER	SCHEMA ELECTRIQUE CORPS	ESQUEMA ELECTRICO CUERPO	CORPO MACCHINA