



Electronic Service Manuals

This electronic document is provided as a service to our customers. We do not create the contents of the information contained in this document. Should you have detailed questions pertaining to the information contained in this document, you may contact Michco, or the manufacturer which provided the original information in this electronic deliverable. Michco's only part in this electronic deliverable was the electronic assembly process. By providing this manual on line we are not guaranteeing parts availability.

You may contact Michco through the following methods:

Phone (517) 484-9312 or (800) 331-3339

2011 N. High St. -- Lansing, Michigan -- 48906

Fax: (517) 484-9836

Email: CustServe@Michco.com

Web site: www.Michco.Com

Parts Web site: www.FloorMachineParts.Com

Order Parts on Line at:

www.FloorMachineParts.Com

Directly to Parts & Service:

By Email: **Shop@Michco.com**

By Fax: (517) 702-2041

By Voice: Use numbers above.

Serving the Cleaning Industry Since 1922

Notice: All copyrighted material remains property of original owners, all trademarks are property of respective owners. Manuals are subject to Manufacturer's reproduction limitations. Originals or reproductions were provided by manufacturers through a request. We make no warranty as to the correctness of information provided in this document and you assume all risk. By placing these manuals on line we are not declaring our corporation to be an manufacturer authorized dealer or provider, please check our web site for authorized manufacturers we represent.

MPV-60

Power Sweeper



Parts List & Options

After Serial Number 482151
for American-Lincoln MODELS 578-618, 578-619, 578-620, 578-621, 578-622, 578-623

American-Lincoln®

TABLE OF CONTENTS - CHAPTER 2 - PARTS

MAIN BROOM LEVER AND LIFT CABLE	2-4
MAIN BROOM LIFT FRAME	2-6
MAIN BROOM DRIVER	2-7
MAIN BROOM IDLER	2-8
SIDE BROOM ASSEMBLY	2-9
SIDE BROOM LEVER	2-10
SIDE BROOM LIFT SYSTEM	2-12
BRAKE PEDAL	2-14
HOPPER	2-16
HOPPER ASSEMBLY	2-18
HOPPER COVER	2-20
DUMP DOOR	2-22
FILTER SHAKER	2-24
FRONT WHEEL	2-26
REAR WHEEL	2-28
STEERING COLUMN	2-30
BROOM DOOR	2-32
FORWARD/REVERSE CONTROL	2-34
ADJUSTABLE FOOT PEDAL	2-36
SAFETY ARM	2-38
OIL COOLER	2-39
LIGHTS AND HORN ELECTRICAL	2-40
BATTERY	2-41
HYDRAULIC RESERVOIR	2-42
VACUUM FAN	2-44
FLAPS (WHEEL WELL)	2-46
BROOM CHAMBER FLAPS AND SEALS	2-48
CONTROL AND RELIEF VALVE	2-50
PUMP	2-52
HYDRAULIC FILTER	2-54
INSTRUMENT PANEL HOUSING	2-55
INSTRUMENT PANEL	2-56
FRONT BUMPER	2-58
REAR BUMPER	2-59
SEAT AND FLOOR ASSEMBLY	2-60
ENGINE COVER	2-62
MITSUBISHI S4L2 DIESEL ENGINE (FANS, BRACKETS)	2-64
MITSUBISHI S4L2 DIESEL ENGINE (COOLING SYSTEM)	2-66
MITSUBISHI S4L2 DIESEL ENGINE (AIR INTAKE)	2-68
MITSUBISHI S4L2 DIESEL ENGINE (THROTTLE PUMP PLATE)	2-70
MITSUBISHI S4L2 DIESEL ENGINE (THROTTLE CONTROL)	2-71
MITSUBISHI S4L2 DIESEL ENGINE (EXHAUST SYSTEM)	2-72
MITSUBISHI S4L2 DIESEL ENGINE (FUEL SYSTEM)	2-73
FUEL TANK (GAS & DIESEL)	2-74
FORD 416EFI ENGINE COMPUTER RELAY BOX	2-75
FORD 416EFI GAS & LP ENGINES (ALTERNATOR, STARTER, BRACKETS)	2-76
FORD 416EFI GAS ENGINE (COOLING SYSTEM)	2-78
FORD 416EFI GAS ENGINE (AIR INTAKE & EXHAUST SYSTEMS)	2-80
FORD 416EFI GAS ENGINE (FUEL SYSTEM)	2-82
FORD 416EFI LP ENGINE (FUEL SYSTEM)	2-84
LP TANK SYSTEM	2-88

TABLE OF CONTENTS

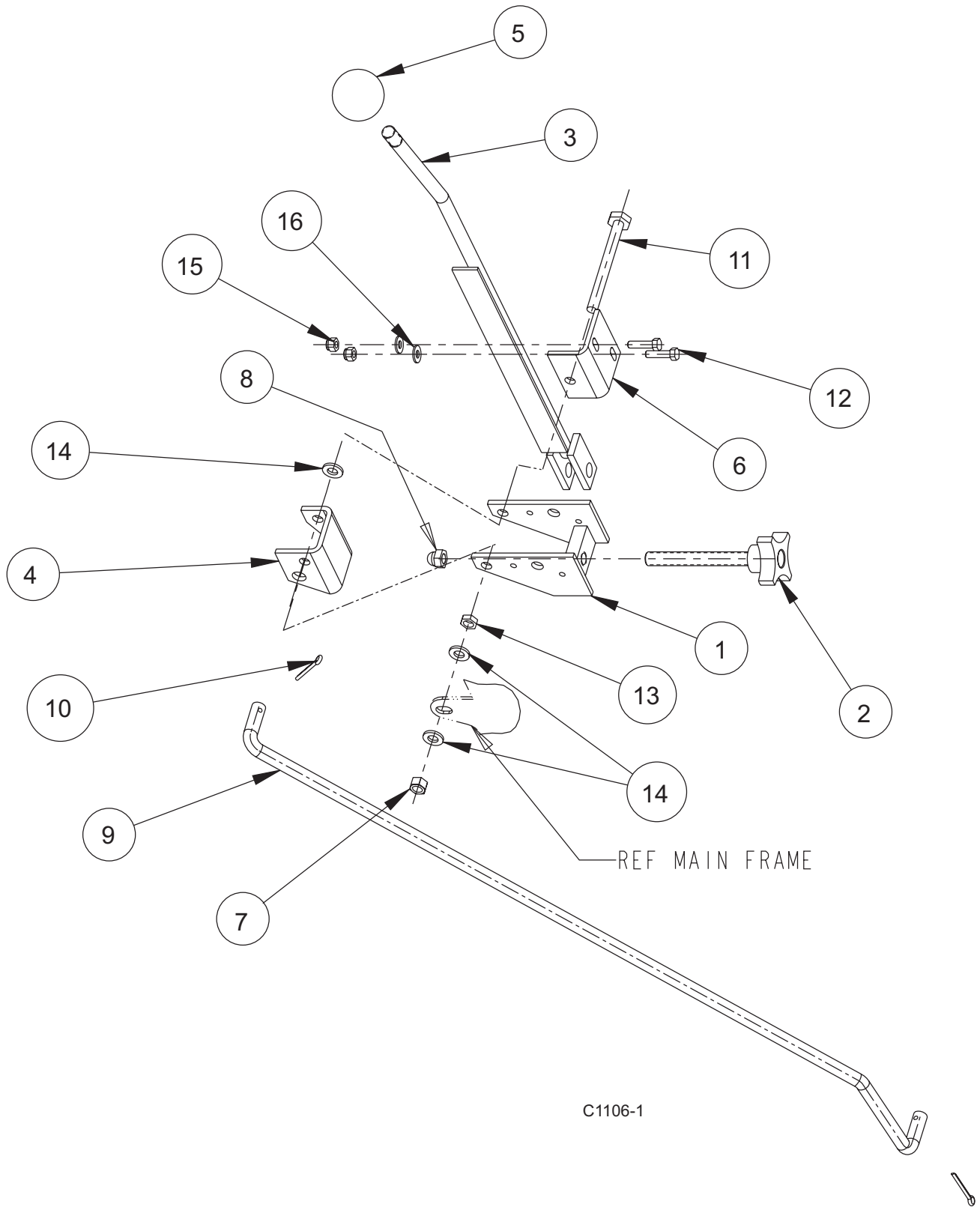
FORD 416EFI LP ENGINE (AIR INTAKE & EXHAUST SYSTEMS)	2-90
FORD 416EFI LP ENGINE (COOLING SYSTEM)	2-92
CE KIT	2-94
DECALS	2-96
TOTAL STEEL PACKAGE	2-98
HYDRAULIC HOSE DIAGRAM	2-100
NOTES	2-102
HYDRAULIC SCHEMATIC	2-103
HARNESS ROUTING (GAS/LP/DIESEL)	2-104
HARNESS CONNECTION DIAGRAM (GAS/LP/DIESEL)	2-105
FORD 416EFI ENGINE HARNESS CONNECTIONS	2-106
MITSUBISHI S4L2 ENGINE HARNESS CONNECTIONS	2-107
INSTRUMENT PANEL CONNECTION DIAGRAM	2-108
ELECTRICAL SCHEMATIC (GAS/LP/DIESEL)	2-109

MAIN BROOM LEVER - PARTS LIST

<u>KEY NO.</u>	<u>PART NUMBER</u>	<u>DESCRIPTION</u>	<u>QTY.</u>
1	8-08-00876	Bracket Broom Lift Main Broom	1
2	8-39-00017	Knob Assembly	1
3	8-66-00188	Lever Handle	1
4	8-08-00831	Adjustment Angle/Main Broom	1
5	8-39-00003	Control Knob, Small	1
6	8-08-00779	Pivot, Main Broom Lift	1
7	2-95-04182	Nut, Elastic Stop	1
8	2-00-00656	Nut, 1/2 - 13 Cap (Acorn)	1
9	8-66-00187	Rod Link	1
10	2-00-00776	Cotter Pin	2
11	2-00-03296	Screw, 3/8-16 x 4.000 HHC	1
12	2-00-00205	Screw, 1/4-20 x 1.000 HHC	2
13	2-00-02360	Nut, 3/8-16 Hex.	1
14	2-00-00402	Flat Washer, .750 x .390 x .094	3
15	2-00-00641	Nut, 1/4-20 Insert Fiber	2
16	2-00-03702	Washer, .625 x .281 x .063	2

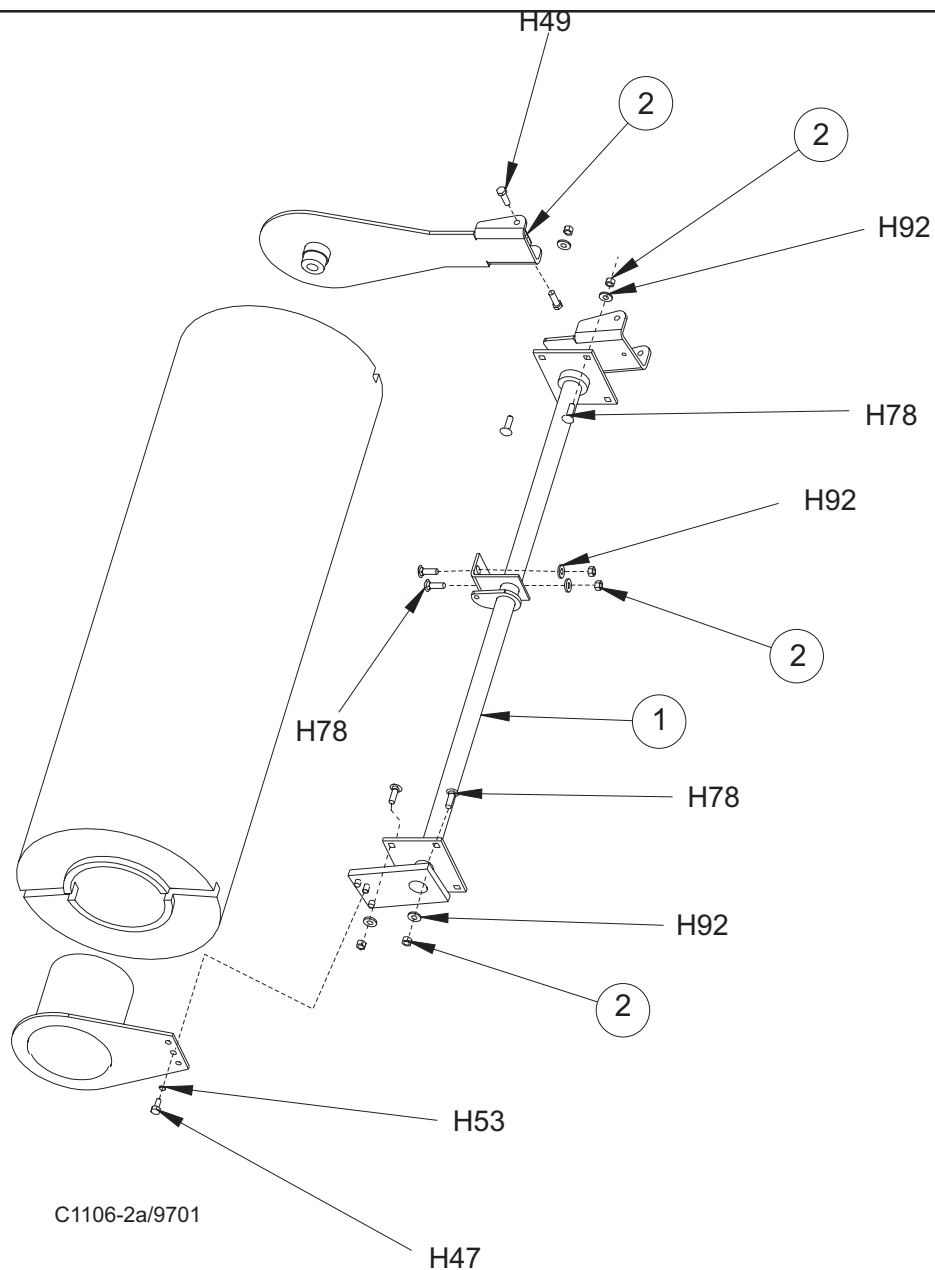
C1106-1

MAIN BROOM LEVER - EXPLODED VIEW



C1106-1

MAIN BROOM LIFT FRAME



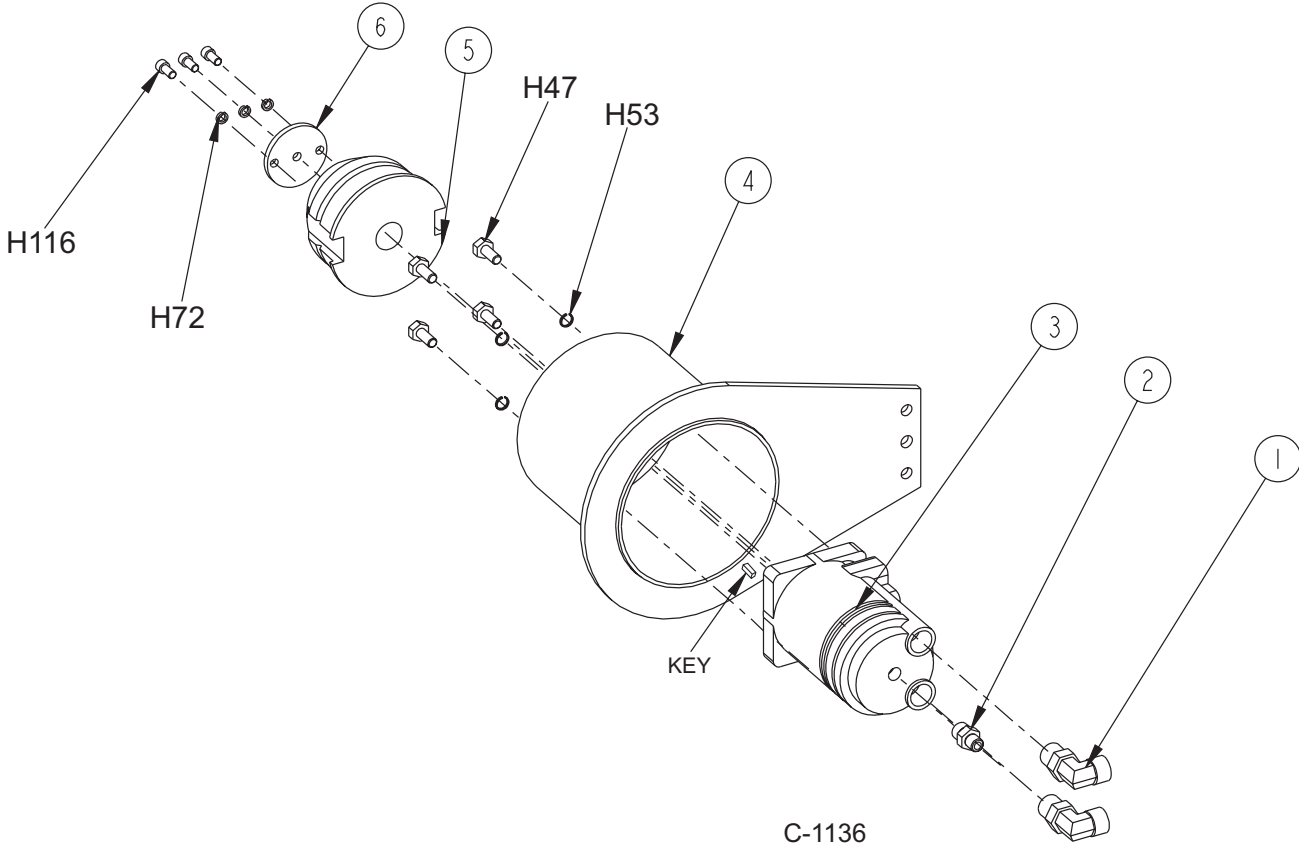
<u>KEY NO.</u>	<u>PART NUMBER</u>	<u>DESCRIPTION</u>	<u>QTY.</u>
1	8-03-04319	Main Broom Lift Frame Assembly	1
2	2-95-04182	Nut, Eleastic Stop Nut	8

HARDWARE USED:

H47	2-00-00232	Screw, 3/8-16 x .750 HHC	1
H49	2-00-00209	Screw, 3/8-16 x 1.250 HHC	2
H53	2-00-02310	Lock Washer, Helical Spring 3/8 Med.	1
H78	2-00-05187	Carriage Bolt, 3/8-16 x 1.250	6
H92	2-00-04801	Flat Washer, .875 x .375 x .125	6

C1326/9702

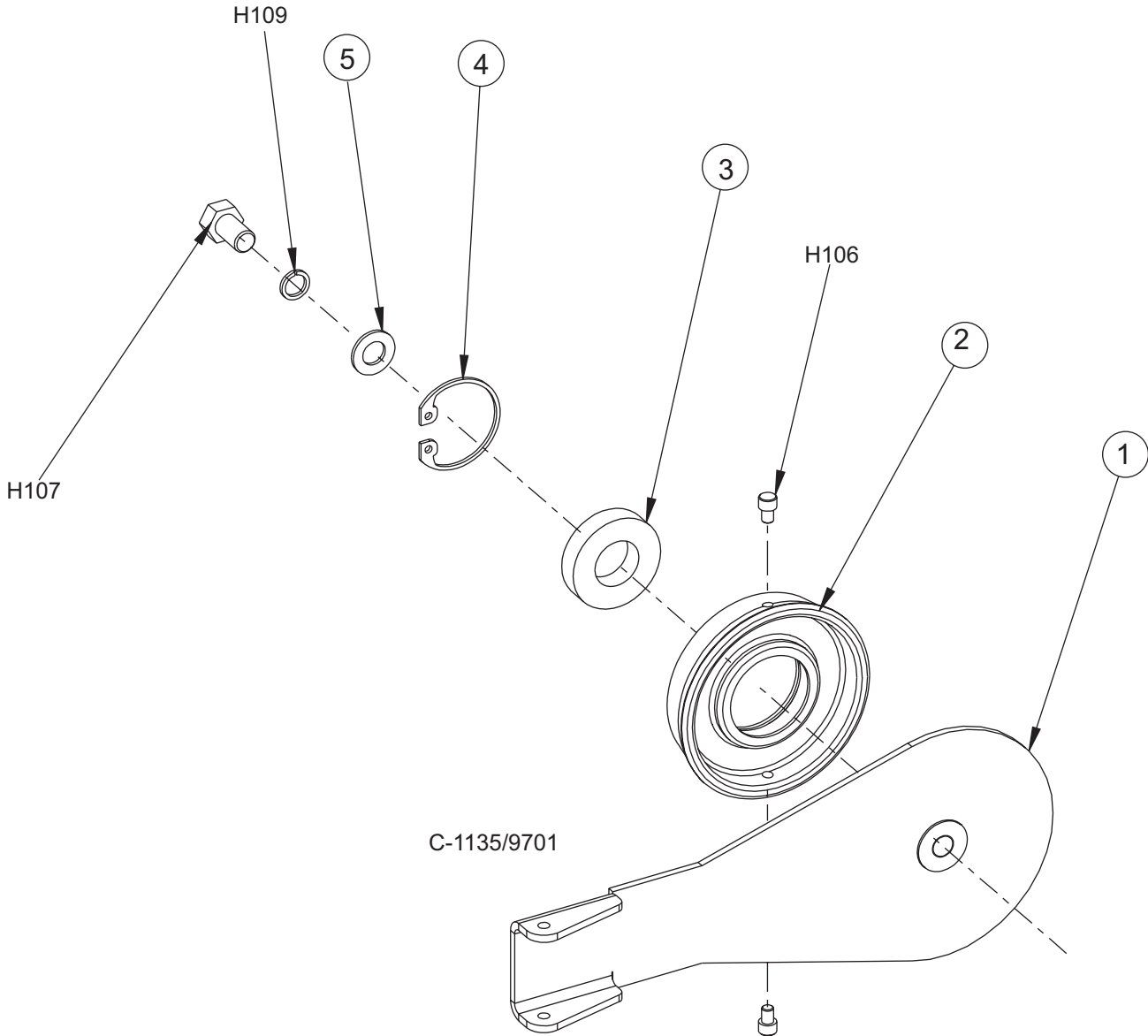
MAIN BROOM DRIVER



<u>KEY NO.</u>	<u>PART NUMBER</u>	<u>DESCRIPTION</u>	<u>QTY.</u>
1	2-00-04885	Fitting	2
2	2-00-04895	Fitting	1
3	0882-040	Motor	1
	2-00-03838	Key (comes w/motor)	
	0880-448	Motor Seal Kit (Service Part)	
4	8-16-00041	Drive Broom Arm	1
5	8-33-09046-1	Driver, Hub	1
6	8-58-05160	Hub, Lock Plate	1
HARDWARE USED:			
H47	2-00-00232	Screw, 3/8-16 x .750 HHC	4
H53	2-00-02310	Lock Washer, Helical Spring 3/8 Med.	4
H72	2-00-00518	Lock Washer, Helical Spring	3
H116	2-00-03039	Screw, 1/4-20 x .625 HSHC	3

C1136/9901

MAIN BROOM IDLER



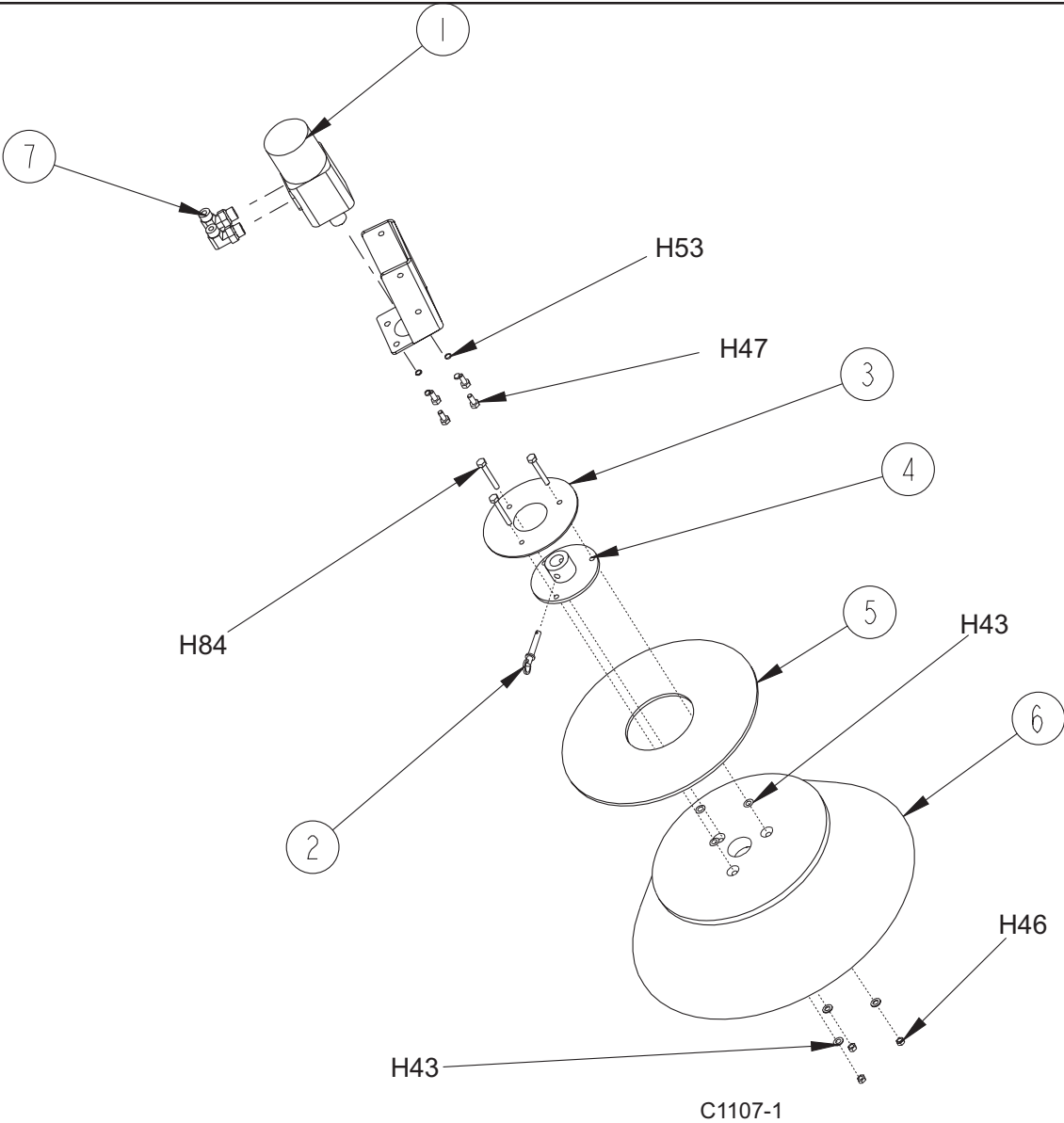
<u>KEY NO.</u>	<u>PART NUMBER</u>	<u>DESCRIPTION</u>	<u>QTY.</u>
1	8-16-00064	Broom Idler Arm	1
2	8-33-09090	Idler, Machined	1
3	2-00-04889	Bearing	1
4	2-00-04890	Clip, Retainer	1
5	8-75-01157	Washer	

HARDWARE USED:

H106	2-00-04886	Screw, 3/8-16 x .500 HSHC	2
H107	2-00-04887	Screw	1
H109	2-00-00522	Lock Washer, Helical Spring	1

C1135/9901

SIDE BROOM ASSEMBLY



<u>KEY NO.</u>	<u>PART NUMBER</u>	<u>DESCRIPTION</u>	<u>QTY.</u>
1	0882-050	Side Broom Motor	1
	0880-448	Side Broom Motor Seal Kit (Service Part)	
2	8-55-08122	Pin, Side Broom Flange	1
3	8-25-06010	Flange, Roller Disc	1
4	8-33-09091	Hub Weldment	1
5	8-66-05011	Disc, Roller	1
6	8-08-03211	Side Broom, Nylon	1
7	2-00-04921	Fitting	2

HARDWARE USED:

H43	2-00-00409	Flat Washer, .687 x .344 x .062	6
H46	2-00-00644	Nut, 5/16-18, Insert Fiber	3
H47	2-00-00232	Screw, 3/8-16 x .750 HHC	4
H53	2-00-02310	Lock Washer, Helical Spring 3/8 Med.	4
H84	2-00-00228	Screw, 5/16-18 x 2.250 HHC	3

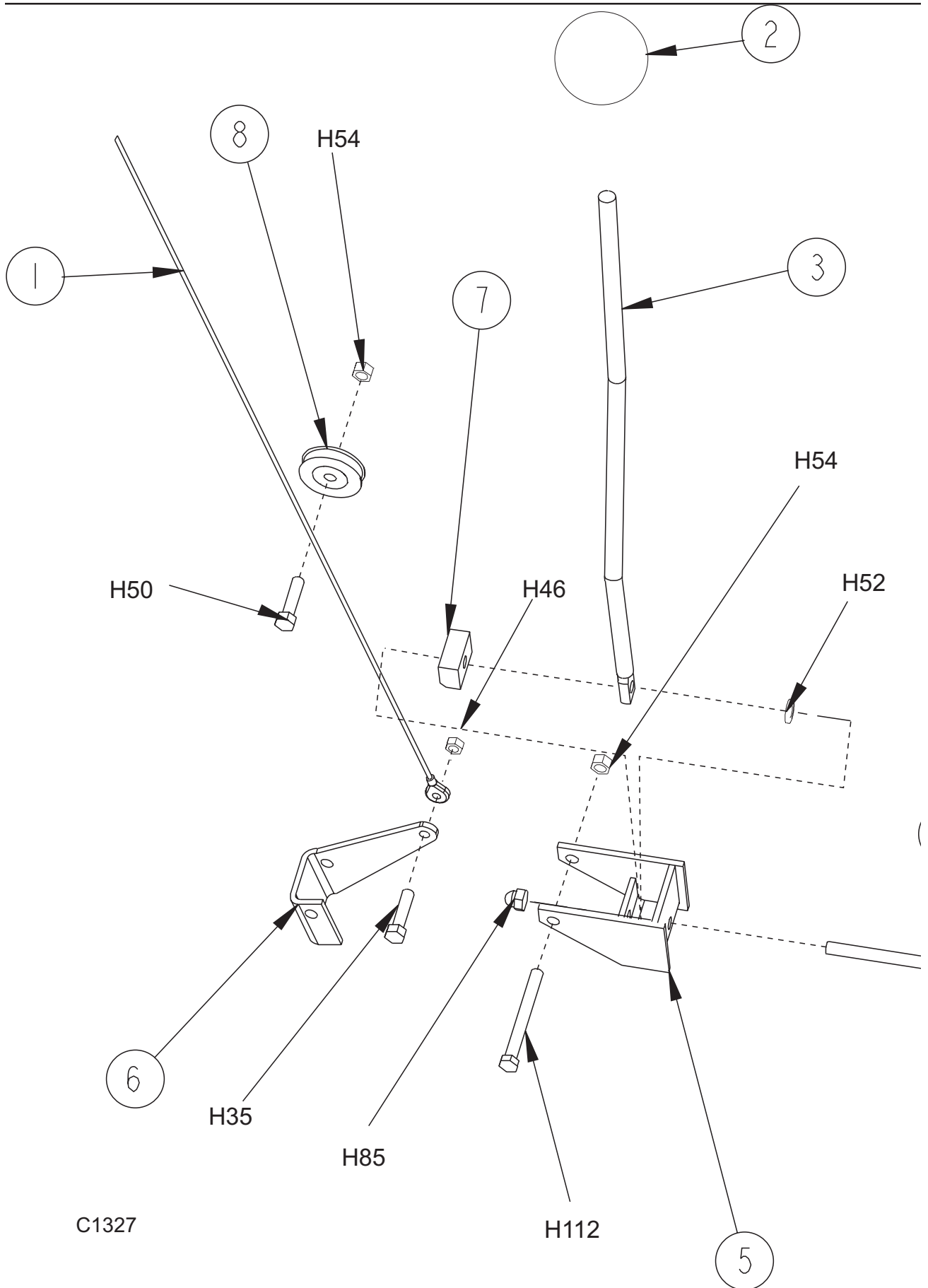
C1107/9812

SIDE BROOM LEVER - PARTS LIST

<u>KEY NO.</u>	<u>PART NUMBER</u>	<u>DESCRIPTION</u>	<u>QTY.</u>
1	8-10-00039	Cable	Ref.
2	8-39-00003	Control Knob, Small	1
3	8-66-00190	Lever Handle	1
4	8-39-00017	Knob Assembly	1
5	8-08-00876	Broom Lift, Weldment	1
6	8-08-00775	Bracket, Angle Adjustment	1
7	7-60-00160	Pulley, Cable	1
8	2-00-00656	Nut, 1/2 -13 Cap (acorn)	1
9	8-08-00890	Bracket, Side Broom Lever Mtg.	1
HARDWARE USED:			
H35	2-00-02708	Screw, 5/16-18 x 1.000 HHM	3
H43	2-00-00409	Flat Washer, .687 x .344 x .062	4
H46	2-00-00644	Nut, 5/16-18, Insert Fiber	3
H50	2-00-00234	Screw, 3/8-16 x 1.500 HHC	1
H54	2-00-02360	Nut, 3/8-16 Hex.	2
H94	2-00-00410	Flat Washer, .875 x .375 x .060	1
H111	2-00-03296	Screw, 3/8-16 x 4.00 HHC	1

C1327/9901

SIDE BROOM LEVER - EXPLODED VIEW



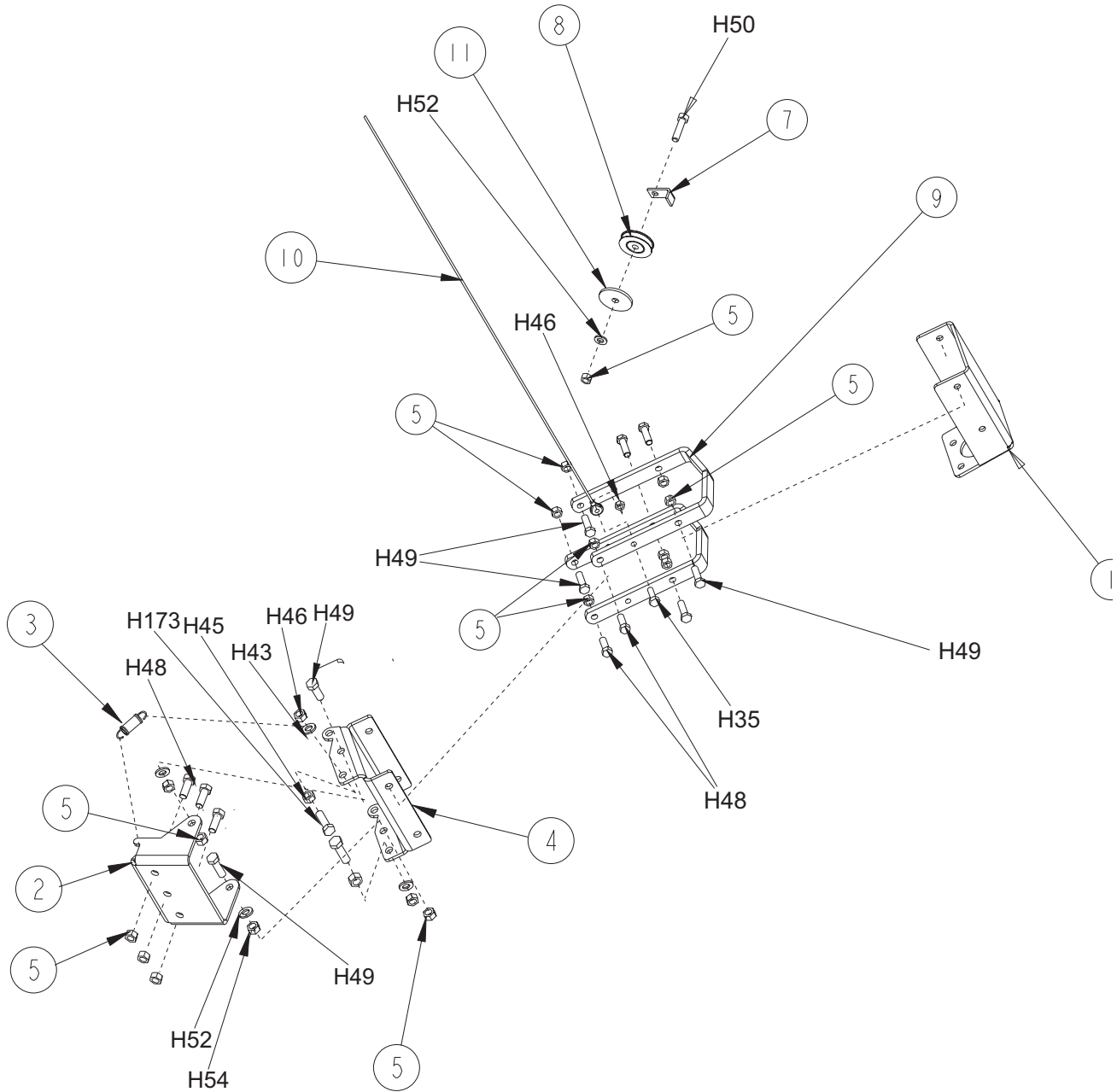
C1327

SIDE BROOM LIFT SYSTEM - PARTS LIST

<u>KEY NO.</u>	<u>PART NUMBER</u>	<u>DESCRIPTION</u>	<u>QTY.</u>
1	8-08-00772	Bracket, Side Broom	1
2	8-08-00790	Bracket	1
3	7-76-00101	Spring	2
4	8-08-00846	Pivot Bracket	1
5	2-95-04182	Nut, Elastic Stop	14
7	7-13-07130	Clip, Cable Retainer	1
8	7-60-00160	Pulley, Cable	1
9	8-42-05143	Side Broom Link	2
10	8-10-00039	Cable	1
11	2-95-04689	Flat Washer	1
HARDWARE USED:			
H35	2-00-02708	Screw, 5/16-18 x 1.000 HHM	1
H43	2-00-00409	Flat Washer, .687 x .344 x .062	2
H45	2-00-00585	Nut, Hex. 5/16-18 x .500 x .265	2
H46	2-00-00644	Nut, 5/16-18, Insert Fiber	3
H48	2-00-00233	Screw, 3/8-16 x 1.000 HHC	4
H49	2-00-00209	Screw, 3/8-16 x 1.250 HHC	7
H50	2-00-00234	Screw, 3/8-16 x 1.500 HHC	1
H52	2-00-00402	Flat Washer, .750 x .390 x .094	3
H54	2-00-02360	Nut, 3/8-16 Hex.	2
H173	2-00-02709	Screw, 5/16-18 x 1.500	2

C1328/9901

SIDE BROOM LIFT SYSTEM - EXPLODED VIEW



C-1328

BRAKE PEDAL - PARTS LIST

<u>KEY NO.</u>	<u>PART NUMBER</u>	<u>DESCRIPTION</u>	<u>QTY.</u>
1	8-70-05293	Brake Cross Shaft	1
2	8-55-00033	Brake Pedal	1
3	7-41-05083	Lever, Parking Brake	1
4	8-75-01184	Spacer, Lever Mounting	2
5	8-10-00038	Cable	1
6	8-66-00154	Brake Rod	2
7	2-00-05169	Cable Clamp	1
8	7-50-05145	Pad, Pedal	1
9	7-76-00051	Spring	2
10	2-00-04909	Yoke Pin Assembly	4
11	8-14-01006	Clevis	4
12	2-95-01999	Nut, Jam	2
13	2-95-04182	Nut, Jam	3
14	2-00-05261	Threaded Insert	2
15	2-00-05330	Threaded Insert-5/16-18	2
HARDWARE USED:			
H16	2-00-03051	Screw, 1/4-20 x .750 HSHC	2
H35	2-00-02708	Screw, 5/16-18 x 1.000 HHM	3
H40	2-00-01770	Screw, 5/16-18 x 2.750 HHC	2
H43	2-00-00409	Flat Washer, .687 x .344 x .062	1
H44	2-00-00530	Lock Washer, 5/16 HS Med.	2
H46	2-00-00644	Nut, 5/16 - 18 , Insert Fiber	4
H49	2-00-00209	Screw, 3/8-16 x 1.250 HHC	3
H52	2-00-00402	Flat Washer, .750 x .390 x .094	6
H69	2-00-01255	Screw, 5/16-18 x .875 HHC	1

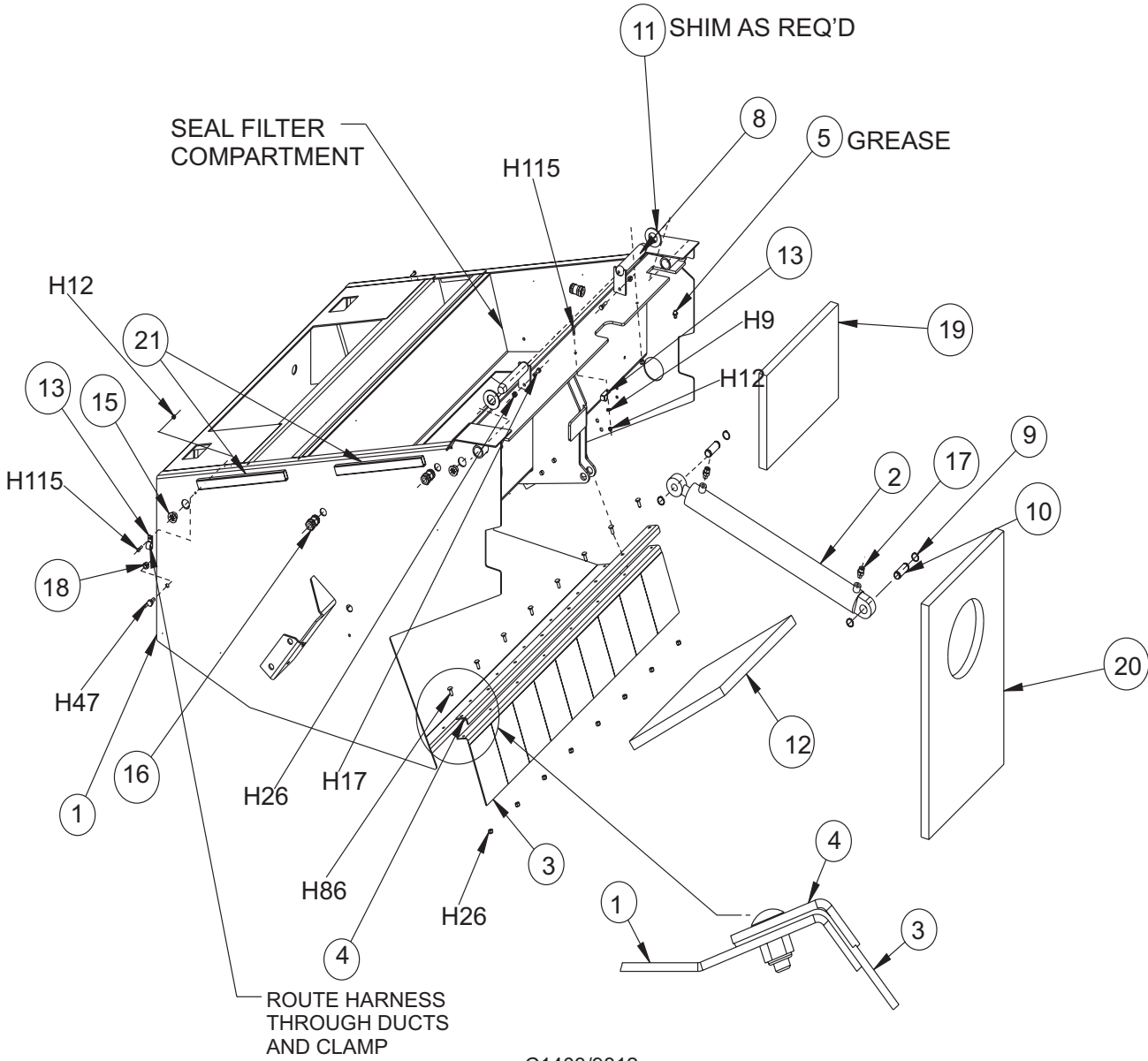
C1109/9812

HOPPER - PARTS LIST

<u>KEY NO.</u>	<u>PART NUMBER</u>	<u>DESCRIPTION</u>	<u>QTY.</u>
1	8-32-06105	Hopper	1
2	7-17-05014 0880-449	Lift Cylinder Lift Cylinder Seal Kit (Service Part)	1
3	8-25-08223	Hopper Flap	1
4	8-13-07169	Clamp, Hopper Flap	1
5	2-00-00566	Grease Zerk	2
8	8-55-08118	Pin, Hopper Pivot	2
9	2-00-00540	Retaining Ring, .750 Ext.	4
10	8-55-08123	Pin, 3/4 Dia.	2
11	2-00-05024	Washer	2
12	8-34-09024	Insulation	1
13	2-00-04210	Clamp	3
15	8-09-01082	Bushing, Star	3
16	8-09-01083	Bushing, Loc-Tite	2
17	2-00-04895	Fitting	2
18	2-95-04182	Nut, Fiber	1
19	8-34-09023	Insulation	1
20	8-34-09022	Insulation	1
21	8-20-06043	Duct Wire	2
22	2-00-05382	Hole Plug	1
HARDWARE USED:			
H9	2-00-00426	Flat Washer, .500 x .219 x .063	1
H12	2-00-01246	Nut, Hex Fiber Insert #10-24	3
H17	2-00-00205	Screw, 1/4-20 x 1.000 HHC	2
H26	2-00-00641	Nut, 1/4-20 Insert Fiber	10
H27	2-00-03702	Washer, .625 x .281 x .063	8
H47	2-00-00232	Screw, 3/8-16 x .750 HHC	1
H86	2-00-03575	Carriage Bolt, 1/4-20 x .750	8
H115	2-00-03063	Screw, #10-24 x .750 THM	3

C1403/9812

HOPPER - EXPLODED VIEW



HOPPER ASSEMBLY - PARTS LIST

<u>KEY NO.</u>	<u>PART NUMBER</u>	<u>DESCRIPTION</u>	<u>QTY.</u>
1	7-21-04022	Edging	1
2	8-82-00058	Switch, Door Indicator	1
3			
4	8-63-05014	Clogged Filter Switch	1
5	7-87-02155	Hose	1
6	2-00-04518	Fitting, 1/8 NPT - 1/4 Tube	1
7	8-24-04075	Filter Plug	1
8	8-20-06036	Duct Wire	1
9			
10	2-00-05253	Clamp	3
11	8-82-00050	Switch, Hopper	1
12	2-00-05261	Threaded Insert	1
13	2-00-00092	Carriage Bolt	2
14	2-00-03261	Grommet	1

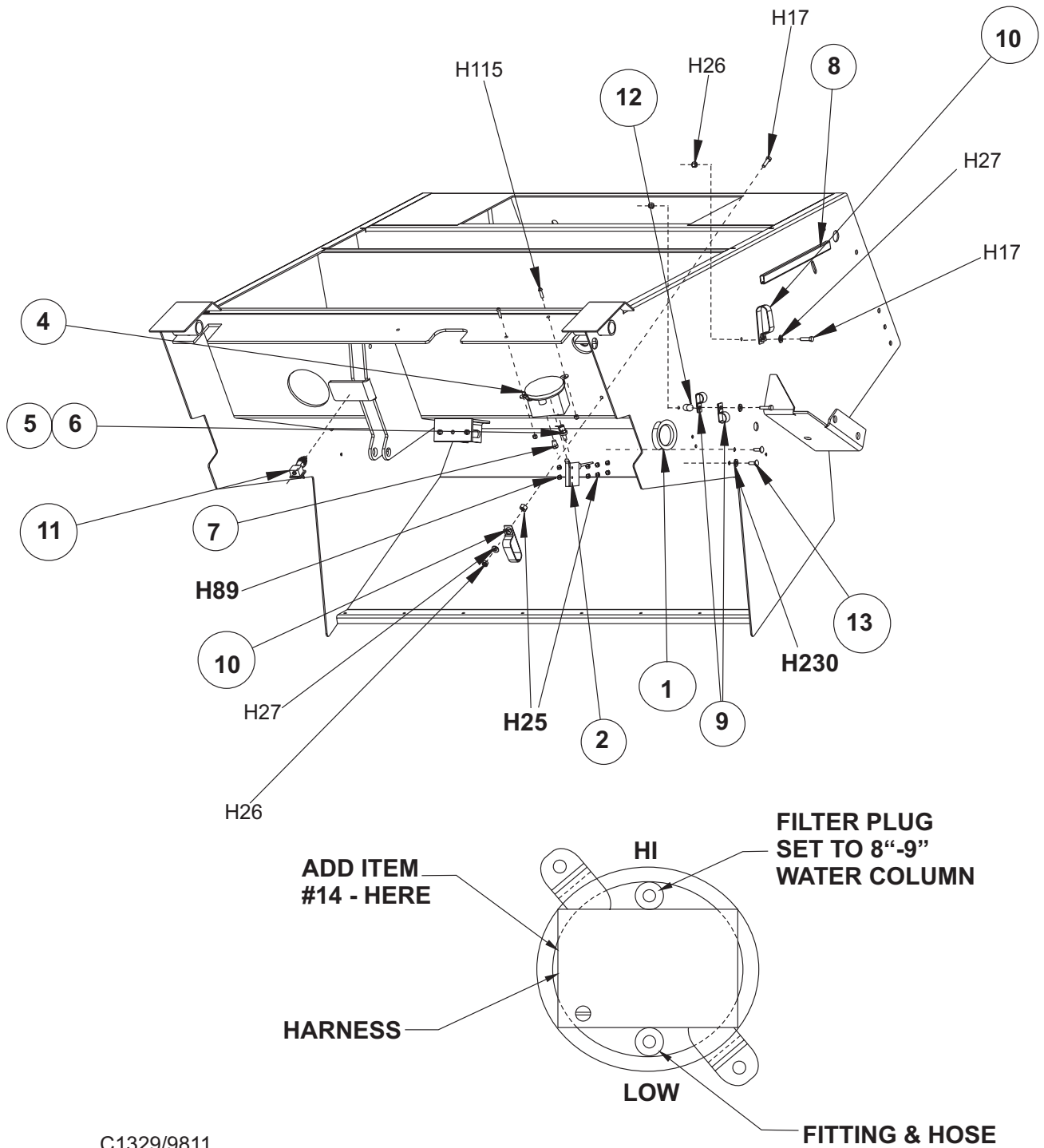
0860-635 Hopper Debris Lid Service Kit

HARDWARE USED:

H17	2-00-00205	Screw, 1/4-20 x 1.000 HHC	3
H25	2-00-00594	Nut, Hex 1/4-20 x .437 x .218	5
H26	2-00-00641	Nut, 1/4-20 Insert Fiber	2
H27	2-00-03702	Washer, .625 x .281 x .063	3
H89	2-00-01372	Nut, Fiber Insert #8-32 Steel	2
H115	2-00-03063	Screw, #10-24 x .750 THM	2
H230	2-00-00466	Flat Washer, .625 x .203 x .031	4

C1329/9901

HOPPER ASSEMBLY - EXPLODED VIEW



C1329/9811

HOPPER COVER - PARTS LIST

<u>KEY NO.</u>	<u>PART NUMBER</u>	<u>DESCRIPTION</u>	<u>QTY.</u>
1	8-08-00878	Bracket - Hinge Cover Pivot	2
2	8-16-07397	Cover , Filter	1
3	8-16-07398	Cover, Debris	1
4	8-29-00240	Gasket	1
5	8-29-00278	Gasket	1
6	8-29-00279	Gasket	1
7	8-41-00069	Latch, Cover	3
8	2-00-00233	Screw, 3/8-16 x 1.000 HHC	4
9	2-95-04182	Nut, 3/8-16 Stop Hex	4
10	2-00-03979	Flat Washer, 1.0 x .39 x .062	*
11	2-00-02360	Nut, 3/8-16 Hex	12
12	8-16-07411	Hopper Cover - RH	1
13	8-16-07412	Hopper Cover - LH	1
14	2-00-02310	Lock Washer, Helical Spring 3/8 Med.	6
15	7-89-07423	Rod, Threaded	6
16	8-10-00027	Cable	1
17	2-00-00221	Bolt, 1/4-20 x 3/4 Fin. Hex Head	2
18	2-00-00641	Nut, 1/4-20 Fiber Insert	2

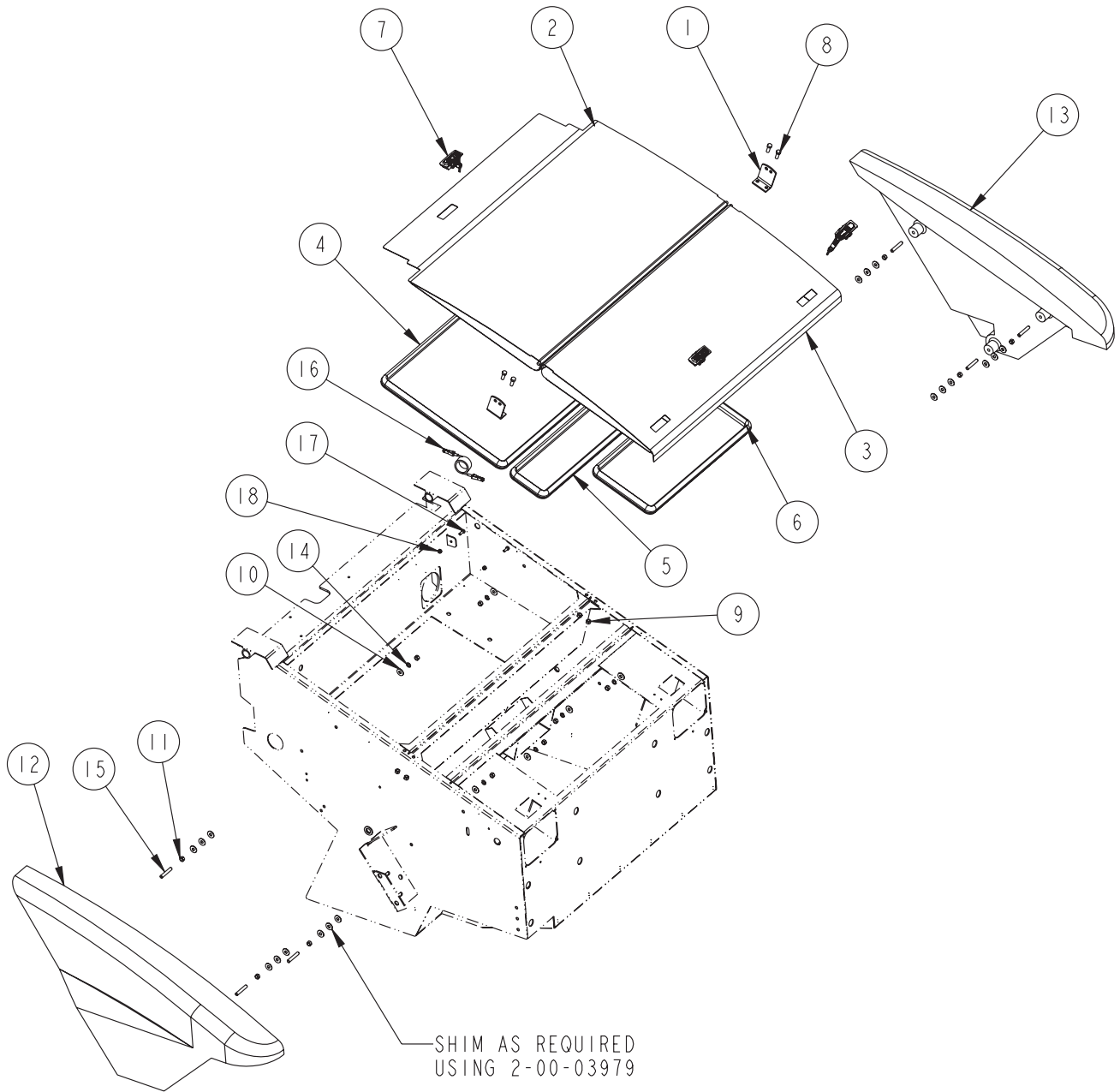
* = As Required

NOTE: Old latches (8-41-00040) include machines up to Serial Number 481411 and 481417 - 481419; and can only be used on the old covers.

NEW latches include machines with Serial Numbers 481412 - 481416 and 481420 on; and can only be used with the new covers.

C1644-1/0603

HOPPER COVER - EXPLODED VIEW

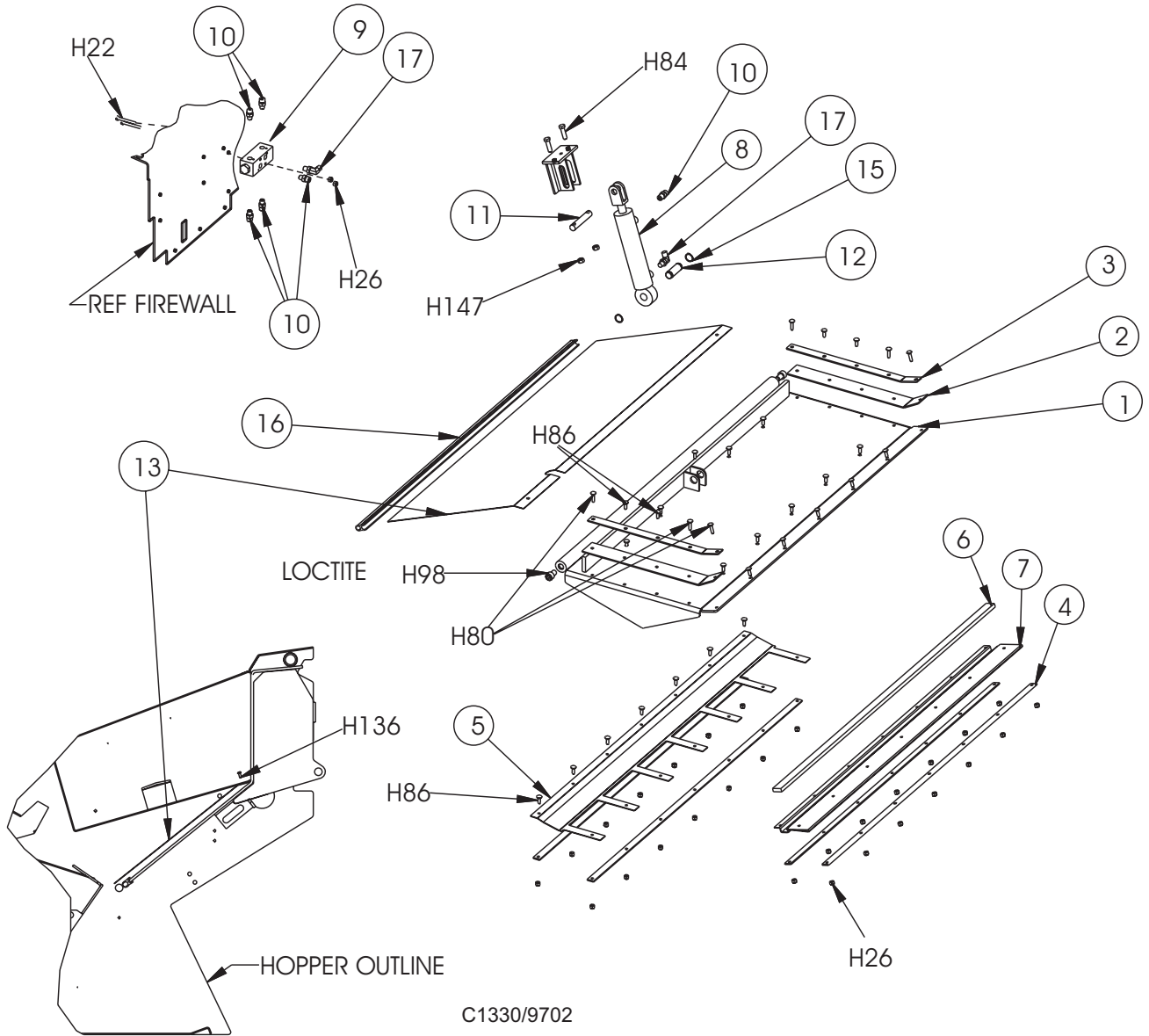


DUMP DOOR - PARTS LIST

<u>KEY NO.</u>	<u>PART NUMBER</u>	<u>DESCRIPTION</u>	<u>QTY.</u>
1	8-19-08058	Hopper Door	1
2	8-68-05075	Seal, Dump Door	2
3	8-13-07118	Clamp, Door Seal	2
4	8-13-07119	Clamp, Door Seal	4
5	8-25-08193	Flap, Door Vent	1
6	8-68-05076	Seal, Dump Door	1
7	8-68-05077	Seal, Dump Door	1
8	7-17-05011	Cylinder	1
	7-70-00021	Cylinder Seal Kit (Service Part)	
9	8-88-00064	Valve	1
10	2-00-04895	Fitting	6
11	8-55-08124	Pin, Door Cylinder	1
12	8-55-08123	Pin, 3/4 Dia.	1
13	8-52-00191	Panel, Hopper Seal	1
15	2-00-00540	Retaining Ring, 3/4 Dia.	2
16	8-29-00149	Gasket, Dump Door	1
17	2-00-04892	Fitting	2
HARDWARE USED:			
H22	2-00-02589	Screw, 1/4 - 20 x 2.000 HHC	2
H26	2-00-00641	Nut, 1/4-20 Insert Fiber	34
H80	2-00-02196	Carriage Bolt, 1/4-20 x 1.000 RHM	6
H84	2-00-00228	Screw, 5/16-18 x 2.250 HHC	2
H86	2-00-03575	Carriage Bolt, 1/4-20 x .750	30
H98	2-00-05277	Screw, 1/2-13 x .750 HSHC	2
H136	2-00-03940	Screw, #10-24 x .500 T/C HH	2
H147	2-00-00642	Nut, Fiber Insert 5/18-18	2

C1330/9702

DUMP DOOR - EXPLODED VIEW



C1330/9702

FILTER SHAKER - PARTS LIST

<u>KEY NO.</u>	<u>PART NUMBER</u>	<u>DESCRIPTION</u>	<u>QTY.</u>
1	8-13-07170	Clamp, Filter	1
2	8-05-07090	Vibrator Bar	1
3	8-09-01083	Bushing	1
4	8-58-05280	Plate, Shaker	1
5	8-03-04302	Arm, Shaker	1
6	8-16-07406	Filter Shaker Motor Cover	1
7	0860-623	Filter Shaker Motor	1
8	8-89-04019	Weight	1
9	8-24-04139-1	Filter	1
	8-24-04139-2	POLY Filter Option	
10	8-13-07168	Mounting Angle, Shaker	1
11	8-41-00065	Latch	1
12	8-08-00786	Mounting Angle, Shaker	1
13	8-90-07433	Wire, Hopper Shaker	1
14	2-00-05330	Threaded Insert, 5/16 - 18	3
15	8-68-05099	Dust Seal	1
16	8-13-07172	Clamp - Vibration Bar	1

HARDWARE USED:

H26	2-00-00641	Nut, 1/4-20 Insert Fiber	8
H27	2-00-03702	Washer, .625 x .281 x .063	8
H34	2-00-00208	Screw, 5/16-18 x .750 HHC	5
H37	2-00-00207	Screw, 5/16 - 18 x 1.250 HHC	2
H44	2-00-00530	Lock Washer, 5/16 HS Med.	3
H46	2-00-00644	Nut, 5/16 - 18 Insert Fiber	2
H58	2-00-00241	Screw, 1/2 - 13 x 1.750 HHC	2
H64	2-00-00596	Nut, Hex 1/2 - 13 x .750 x .437	2
H65	2-00-04936	Nut, 1/2 - 13 Fiber Lock	2
H81	2-00-05276	Screw, 3/8 - 16 x 5.500	1
H86	2-00-03575	Carriage Bolt, 1/4-20 x .750	8
H87	2-00-00263	Set Screw, 1/4-20 x .250 HSKCP	1
H219	2-00-05359	Nut, Serrated Flange 5/16 - 18	4

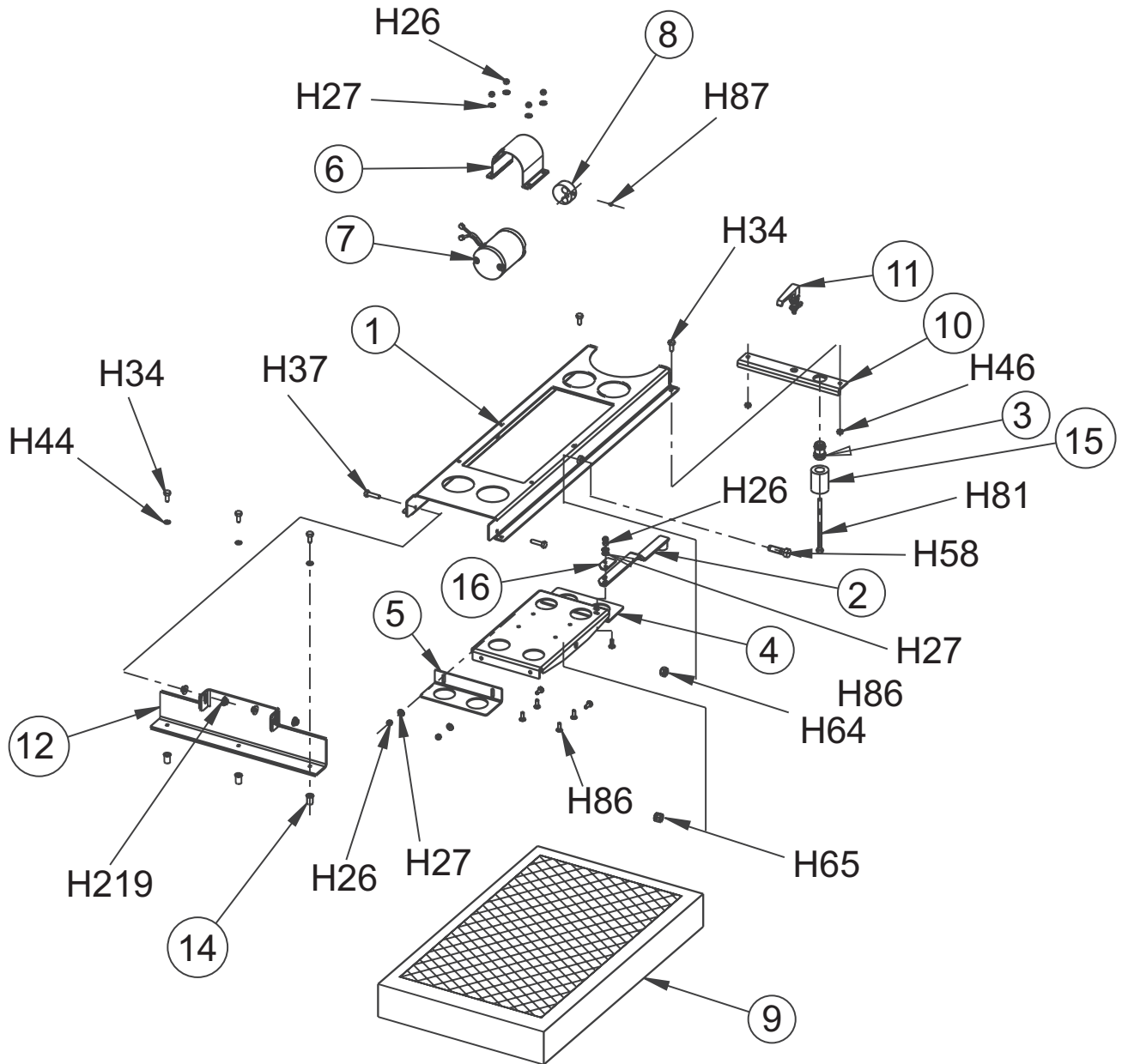
FRAME AND SHAKER ADJUSTMENT INSTRUCTIONS:

- ADJUST FRAME TO FILTER- ADJUST FILTER FRAME PIVOT BOLTS AND PAWL OF FILTER FRAME LATCH SUCH THAT FILTER GASKET COMPRESSES APPROXIMATELY 1/8 INCH.
- ADJUST SHAKER TO FILTER-ADJUST SHAKER ARM (8-03-04302) SUCH THAT IT AND SHAKER PLATE (8-58-05280) FORCE FILTER SCREEN TO CONTACT FILTER MEDIA.

NOTE: DO NOT COMPRESS FILTER MEDIA WITH SHAKER

C1404/9812

FILTER SHAKER - EXPLODED VIEW



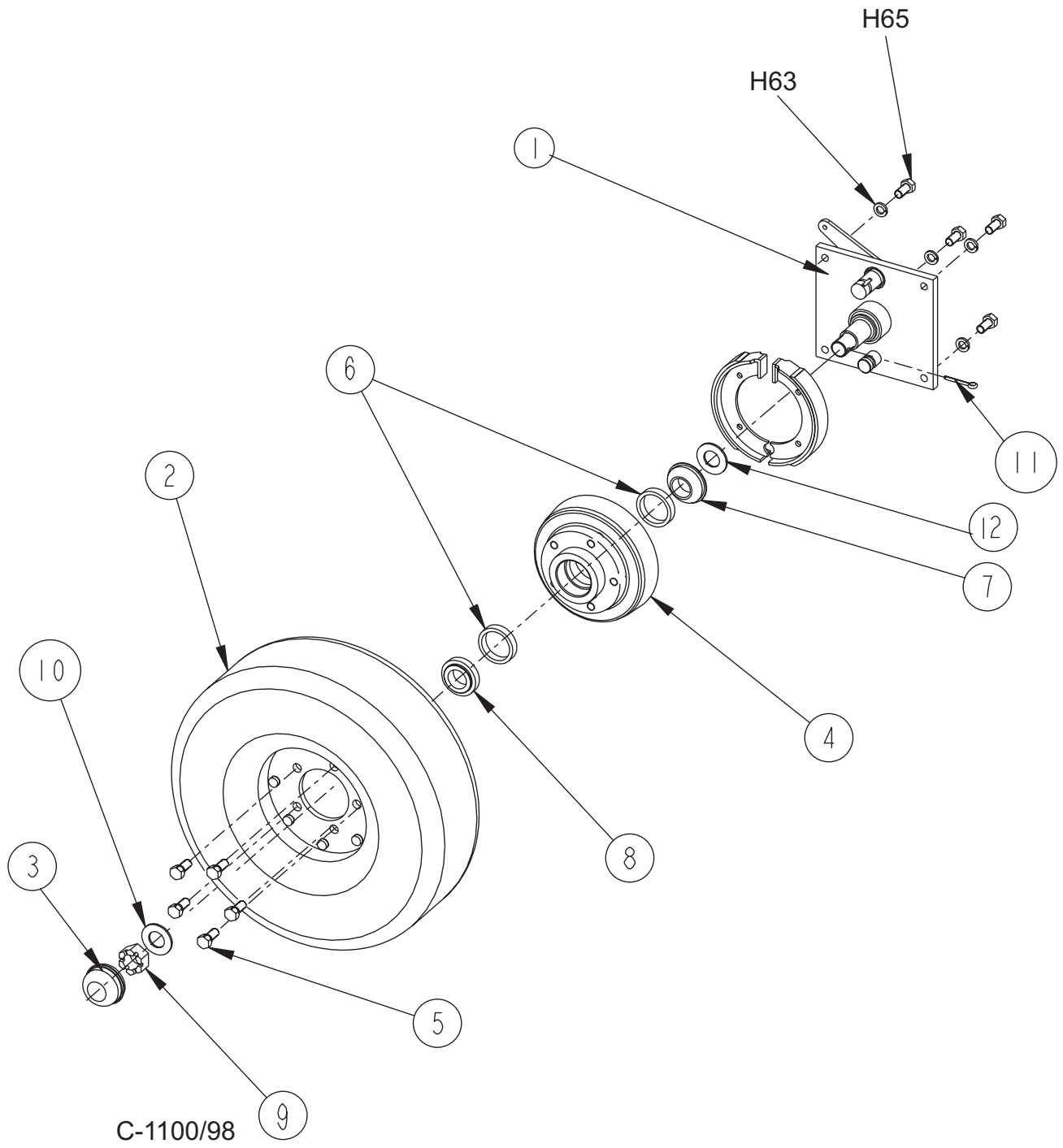
C1404/9906

FRONT WHEEL - PARTS LIST

<u>KEY NO.</u>	<u>PART NUMBER</u>	<u>DESCRIPTION</u>	<u>QTY.</u>
1	0860-703 8-71-05007	Brake Brake Shoe (Service Part)	2
2	8-89-08067 8-85-06021 8-70-00085 8-70-00084 8-65-05015 7-18-00159	Wheel Assy., Pneumatic - 18.5" Tire, 5 x 8 (Service Part) Tube (Service Part) Flap Rim Assy., 5 x 8 x 3.75 (Service Part) Decal, Pneumatic Tire Warning	2
3	8-11-00030	Grease Cap	2
4	8-33-09089	Hub and Drum	2
5	8-80-05035	Stud	10
6	2-00-04621	Bearing Cup	4
7	2-00-02079	Bearing Cone (Sealed)	2
8	2-00-04622	Bearing Cone	2
9	2-00-05026	Nut, Slotted Hex 1-14 UNF	2
10	2-00-05024	Flat Washer	2
11	2-00-02436	Cotter Pin	2
12	2-00-03797	Flat Washer	*
	* AS NEEDED		
HARDWARE USED:			
H63	2-00-02312	Lock Washer, 1/2 HS Med.	8
H66	2-00-02689	Screw, 1/2-20 x 1.000 HHC	8

C1100

FRONT WHEEL - EXPLODED VIEW



REAR (DRIVE) WHEEL - PARTS LIST

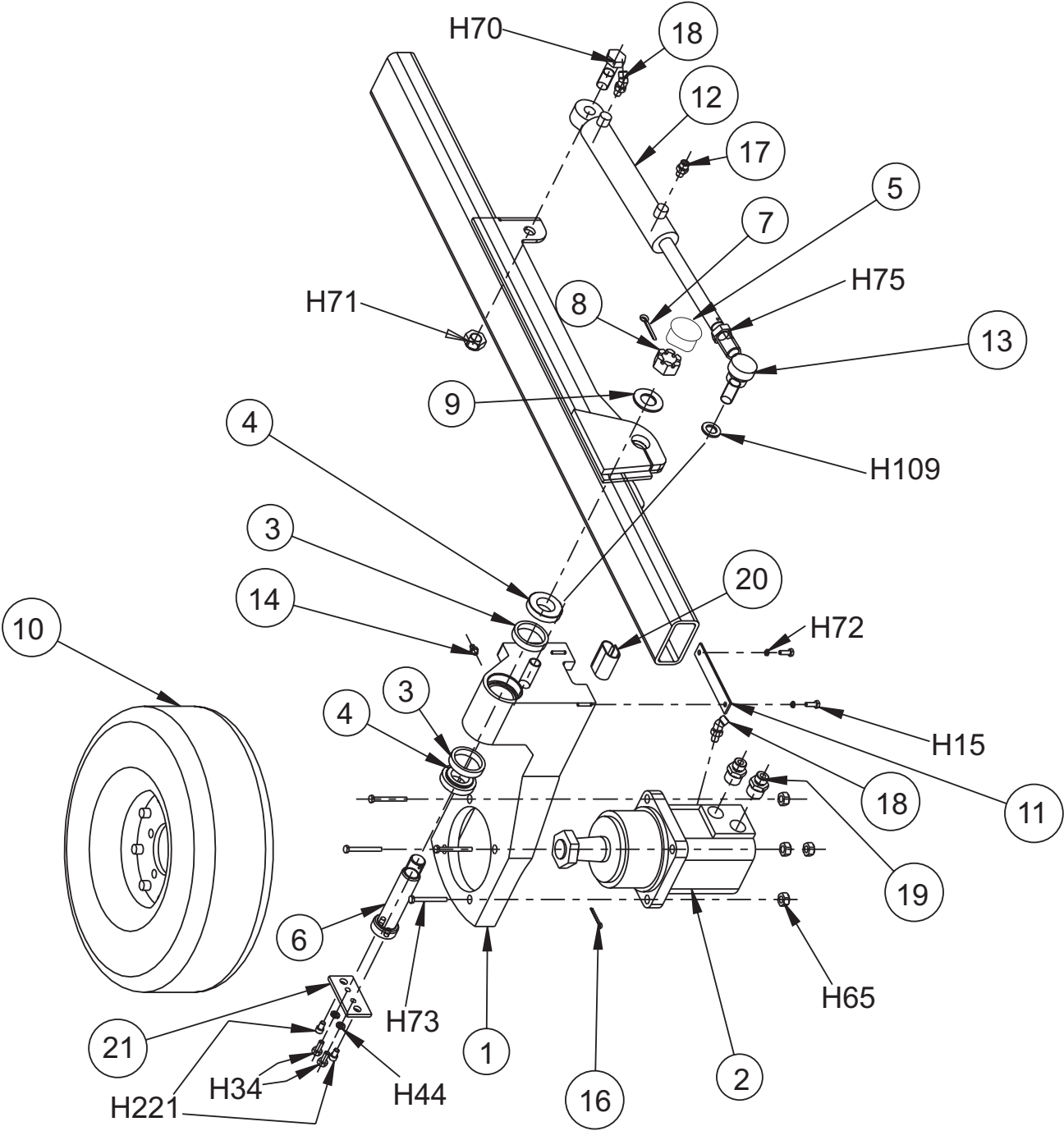
<u>KEY NO.</u>	<u>PART NUMBER</u>	<u>DESCRIPTION</u>	<u>QTY.</u>
1	8-92-00040	Yoke, Rear Wheel	1
2	0885-083	Hydraulic Motor, 4000 Series	1
	0880-238	Motor Seal Kit (Service Part)	
	0880-586	Shaft Seal Kit (Service Kit)	
3	2-00-04621	Bearing, Outer Race (Cup Only)	2
4	2-00-02079	Bearing, Roller	2
5	7-11-00048	Cap, 7/8 Hex Nut	1
6	8-55-08131	Pivot Pin, Rear Wheel	1
7	2-00-02436	Cotter Pin	1
8	2-00-05026	Nut, Slotted Hex 1-14 UNF	1
9	2-00-05024	Flat Washer	1
10	8-89-08068	Wheel Assembly	1
	8-85-06021	Tire (Service Part)	
	8-70-00085	Tube (Service Part)	
	8-33-09088	Inner Rim	
	8-65-05017	Outer Rim	
	8-80-05035	Stud (Qty. 6)	
	8-70-00084	Flap	
	7-18-00159	Decal, Pneumatic Wheel Warning	
	0860-639	Service Kit - Wheel Mount	
11	8-65-00045	Retainer, Hydraulic Hose	1
12	7-17-05017	Hydraulic Cylinder	1
	7-70-00021	Cylinder Seal Kit (Service Part)	
13	8-66-00149	Rod End	1
14	2-00-00566	Grease Zerk	1
15			
16	2-00-00776	Cotter Pin, .12 diameter	1
17	2-00-04895	Fitting, Straight	1
18	2-00-04976	Fitting, 45°	2
19	2-00-04979	Fitting, Straight	2
20	8-30-05175	Guard - Hose	1
21	7-13-07176	Clamp - Pivot Pin	1

HARDWARE USED:

H15	2-00-00221	Screw, 1/4-20 x .750 HHC	2
H34	2-00-00208	Screw, 5/16 - 18 x 7.50 HHC	2
H44	2-00-00530	Lock Washer, 5/16 HS Med.	2
H65	2-00-04936	Nut, 1/2-13 Fiber Lock	4
H70	2-00-05254	Screw, 3/4-10 x 2.250 HHC	1
H71	2-00-05255	Nut, 3/4-10 Nylon Lock	1
H72	2-00-00518	Lock Washer, Helical Spring	2
H73	2-00-00247	Screw, 1/2-13 x 2.500 HHC	4
H75	2-00-00618	Nut, Hex Jam 3/8-16	1
H109	2-00-00522	Lock Washer, 3/4 Helical Spring	1
H221	2-00-03335	Screw, 5/16-18 x .500 Hex Soc. Cap	2

C1311a/0703

REAR (DRIVE) WHEEL - EXPLODED VIEW



C1311A/0703

STEERING COLUMN - PARTS LIST

<u>KEY NO.</u>	<u>PART NUMBER</u>	<u>DESCRIPTION</u>	<u>QTY.</u>
1	8-60-05034	Steering Control Unit	1
2	8-89-08016	Steering Wheel	1
3	8-58-05270	Plate, Latch	1
4	8-33-05136	Steering, Housing	1
5	8-41-00050	Latch, Tilt Steering	1
6	8-08-00780	Housing, Mounting Bracket	2
7	7-09-01057	Bushing	1
8	8-31-06083	Grip, Latch	1
9	8-76-00042	Spring, Tension	1
10	2-10-01336	Spring, Compression	1
11	8-11-00022	Cap	1
12	2-95-04182	Stop Nut, Elastic	1
13	8-33-02360	Hose, Heat Shield	1
HARDWARE USED:			
H17	2-00-00205	Screw, 1/4-20 x 1.000 HHC	4
H25	2-00-00594	Nut, Hex 1/4-20 x .437 x .218	1
H26	2-00-00641	Nut, 1/4-20 Insert Fiber	4
H27	2-00-03702	Washer, .625 x .281 x .063	2
H35	2-00-02708	Screw, 5/16-18 x 1.000 HHM	1
H44	2-00-00530	Lock Washer, 5/16 HS Med.	4
H46	2-00-00644	Nut, 5/16-18, Insert Fiber	5
H52	2-00-00402	Flat Washer, .750 x .390 x .94	4
H69	2-00-01255	Screw, 5/16-18 x .875 HHC	4
H94	2-00-00410	Flat Washer, .875 x .375 x .060	2
H95	2-00-03382	Spring Washer, .875 x .500 x .015	1
H96	2-00-02605	Screw, 3/8-16 x 4.500 HHC, Cadium Pl	1
H154	2-00-04363	Screw, M8 - 1.250 x .750	4

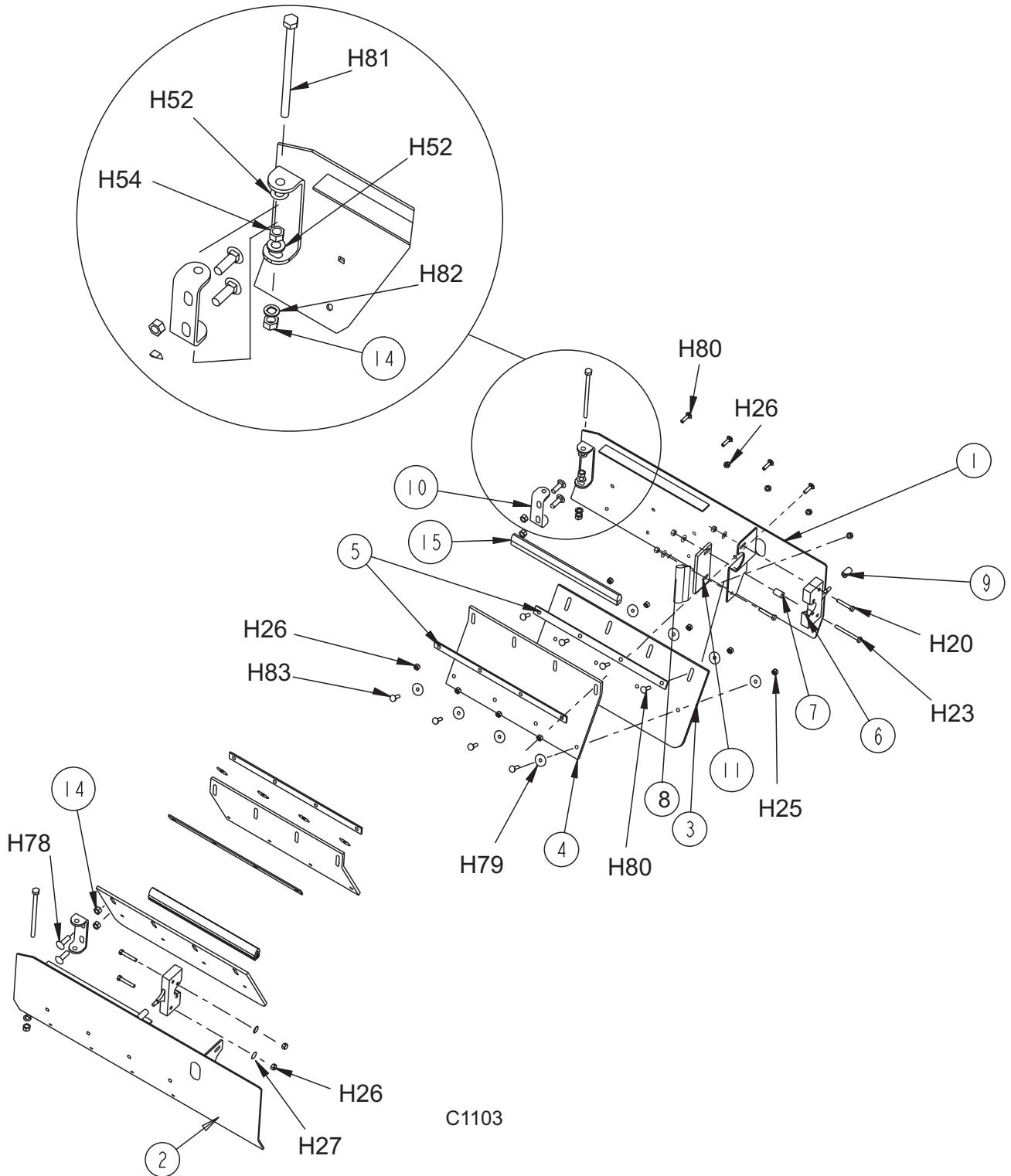
C1605/9812

BROOM DOOR - PARTS LIST

<u>KEY NO.</u>	<u>PART NUMBER</u>	<u>DESCRIPTION</u>	<u>QTY.</u>
1	8-19-08060	Broom Door Weldment (Right)	1
2	8-19-08059	Broom Door Weldment (Left)	1
3	8-25-08222	Flap, Broom Door (Outer)	2
4	8-25-08198	Flap, Broom Door (Inner)	2
5	8-13-07116	Clamp, Broom Door Flap	4
6	8-41-00052	Latch	2
7	8-75-01199	Spacer, Broom Door Latch	1
8	8-29-00232	Gasket	1
9	8-39-00015	Latch Knob, Broom Door	2
10	8-57-05024	Door Pivot Bracket	2
11	8-58-05271	Plate, Idler Retainer	1
14	2-95-04182	Nut, Fiber	6
15	8-29-00235	Edging	2
HARDWARE USED:			
H20	2-00-00203	Screw, 1/4-20 x 1.500 HHC	4
H23	2-00-01980	Screw, 1/4-20 x 2.500 HHC	1
H25	2-00-00594	Nut, Hex 1/4-20 x .437 x .218	8
H26	2-00-00641	Nut, 1/4-20 Insert Fiber	21
H27	2-00-03702	Washer, .625 x .281 x .063	5
H52	2-00-00402	Flat Washer, .750 x .390 x .094	4
H54	2-00-02360	Nut, 3/8-16 Hex.	2
H78	2-00-05187	Carriage Bolt, 3/8-16 x 1.250	4
H79	2-00-01676	Flat Washer, 1.062 x .265 x .062	16
H80	2-00-02196	Carriage Bolt, 1/4-20 x 1.000 RHM	16
H81	2-00-05276	Screw, 3/8-16 x 5.500	2
H82	2-00-00505	Lock Washer, 3/8 Int. Tooth	2
H83	2-00-04877	Screw, 1/4-20 x 1.000 BHS	8

C1103/9812

BROOM DOOR - EXPLODED VIEW

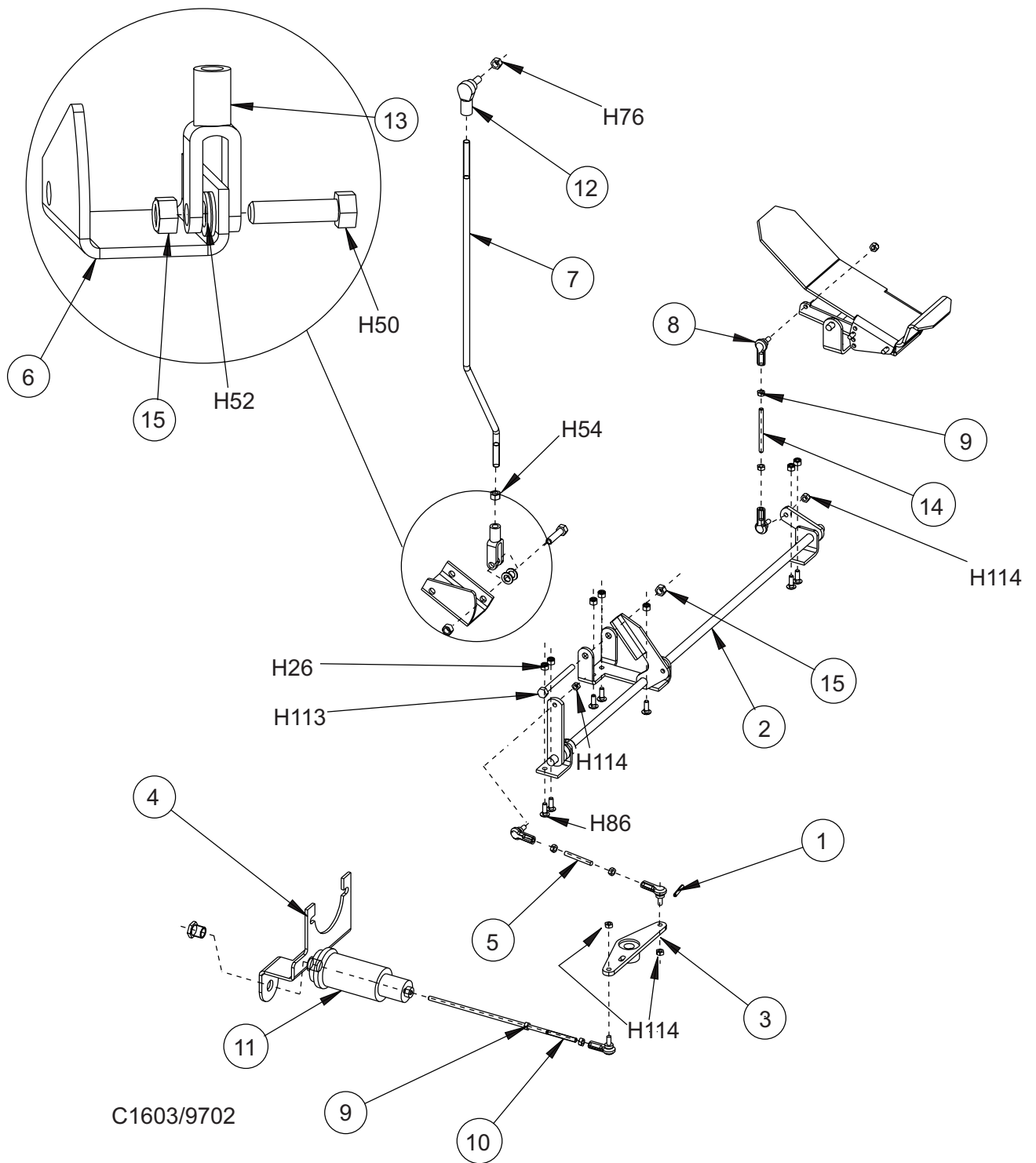


FORWARD/REVERSE CONTROL - PARTS LIST

<u>KEY NO.</u>	<u>PART NUMBER</u>	<u>DESCRIPTION</u>	<u>QTY.</u>
1	2-00-00880	Roll Pin	1
2	8-70-05294	Forward/Reverse Shaft	1
3	8-03-04322	Arm, Pump Control	1
4	8-08-00877	Bracket, Hydroback	1
5	8-66-00169	Rod, 1/4-28 x 2.0 Threaded	1
6	8-03-04306	Arm, Speed Limiter	1
7	8-66-00172	Rod, Speed Limiter	1
8	7-25-02050	Rod End	5
9	2-95-01999	Nut, Jam	6
10	8-66-00189	Rod, Threaded	1
11	8-16-00063	Centering Control	1
12	8-66-00173	Rod End	1
13	8-14-01001	Clevis	1
14	8-66-00194	Rod, Threaded, 1/4-28 x 1.50	1
15	2-95-04182	Nut, Fiber	2
HARDWARE USED:			
H26	2-00-00641	Nut, 1/4-20 Insert Fiber	7
H50	2-00-00234	Screw, 3/8-16 x 1.50 HHC	1
H52	2-00-00402	Flat Washer, .750 x .390 x .094	2
H54	2-00-02360	Nut, 3/8-16 Hex.	1
H76	2-00-00632	Nut, Fiber Insert 3/8-24 Steel	1
H86	2-00-03575	Carriage Bolt, 1/4-20 x .75	7
H113	2-00-03333	Screw, 3/8-16 x 3.75 HHC	1
H114	2-00-00633	Nut, Fiber 1/4-28	5

C1603/2-04

FORWARD/REVERSE CONTROL - EXPLODED VIEW



ADJUSTABLE FOOT PEDAL - PARTS LIST

<u>KEY NO.</u>	<u>PART NUMBER</u>	<u>DESCRIPTION</u>	<u>QTY.</u>
1	8-55-00034	Adjustable Foot Pedal	1
2	8-55-00035	Pedal Base	1
3	8-08-00782	Bracket	1
4	2-00-05246	Pin	1
5	2-00-05247	Pin	2
6	2-00-05249	Cotter Pin	3
7	7-23-03048	Spring Washer	*

* AS NEEDED

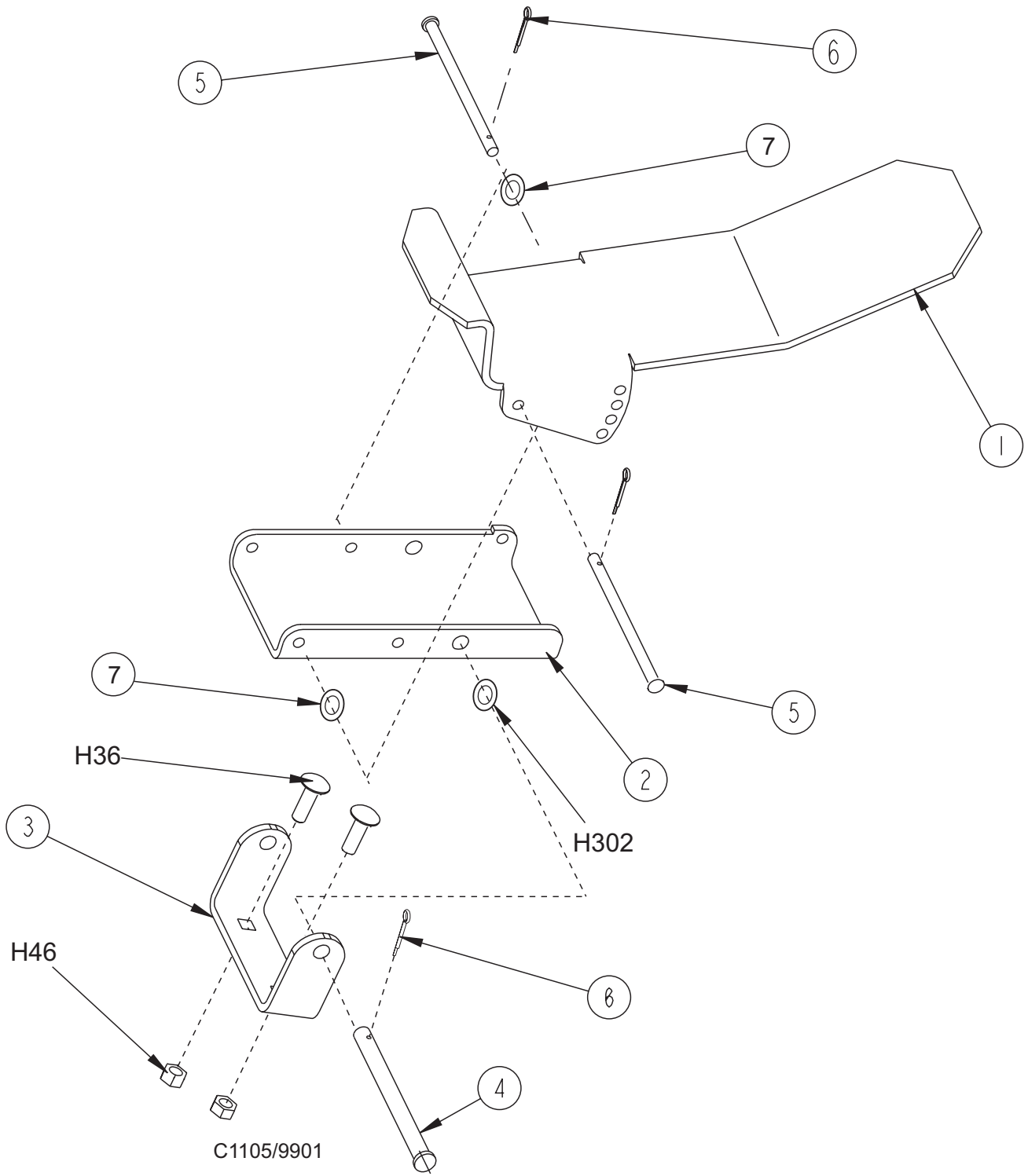
HARDWARE USED:

H36	2-00-00196	Carriage Bolt, 5/16-18 x 1.000	2
H46	2-00-00644	Nut, 5/16-18, Insert Fiber	2
H302*	2-00-00490	Washer, Spring, Shakeproof	1

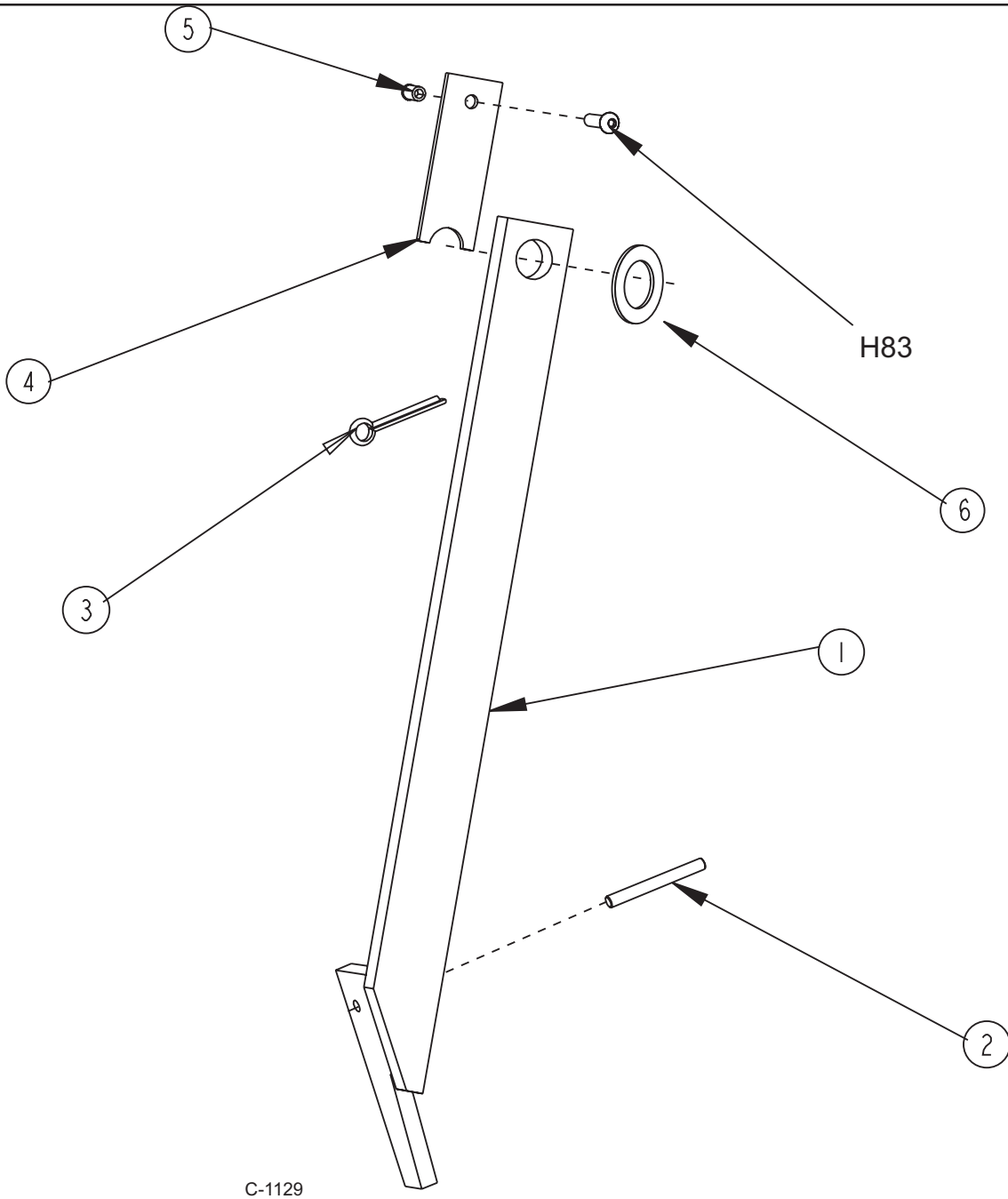
* DIESEL ONLY

C1105/9901

ADJUSTABLE FOOT PEDAL - EXPLODED VIEW



SAFETY ARM



C-1129

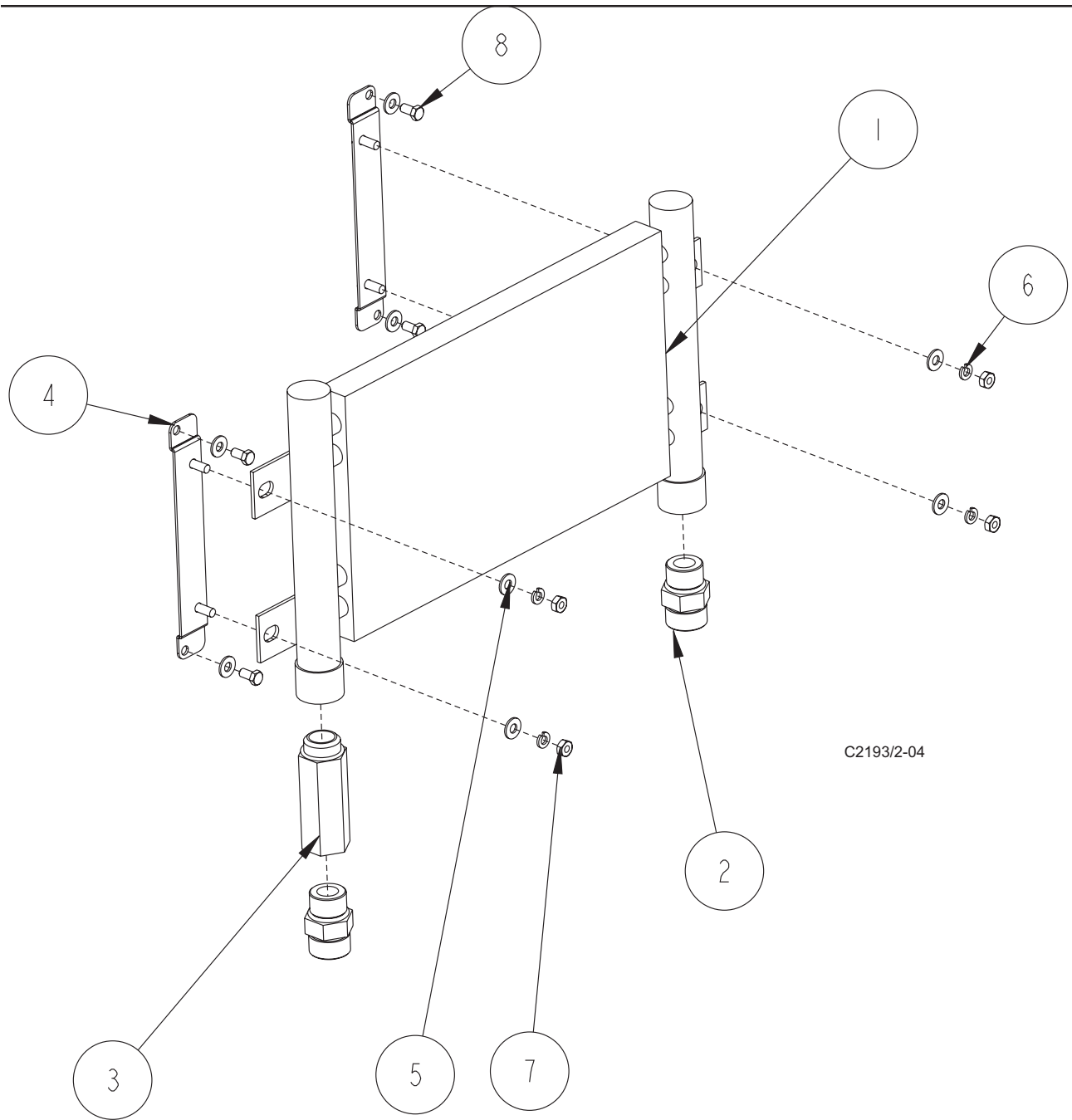
<u>KEY NO.</u>	<u>PART NUMBER</u>	<u>DESCRIPTION</u>	<u>QTY.</u>
1	8-81-00168	Safety Arm Weldment	1
3	2-00-02436	Cotter Pin	1
4	8-71-00018	Shim	1
5	2-00-05261	Threaded Insert	1
6	2-00-00432	Flat Washer	1

HARDWARE USED:

H83	2-00-04877	Screw, 1/4-20 x 1.000 BHS	1
-----	------------	---------------------------	---

C1129

OIL COOLER

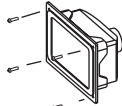
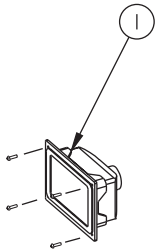


C2193/2-04

KEY NO.	PART NUMBER	DESCRIPTION	QTY.
1	8-62-01012	Oil Cooler	1
2	2-00-04973	Fitting	2
3	8-88-00059	Check Valve, 5 psi	1
4	7-08-01189	Bracket, Oil Cooler	2
5	2-00-03702	Washer, .625 x .281 x .063	8
6	2-00-00518	Lock Washer, 1/4" Helical Spring	4
7	2-00-00594	Nut, 1/4-20 Hex	4
8	2-00-00219	Bolt, 1/4-20 Fin. Hex Head	4

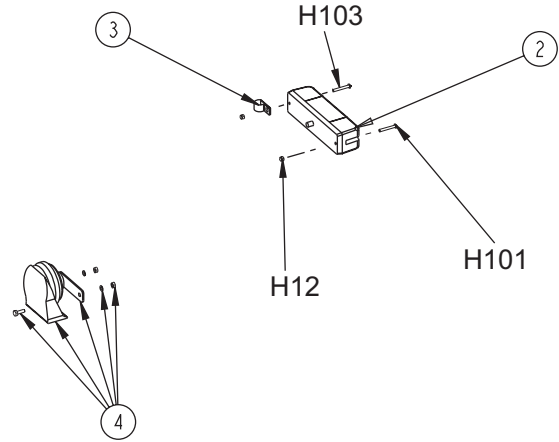
C2193/2-04

LIGHTS & HORN



H102

C1115

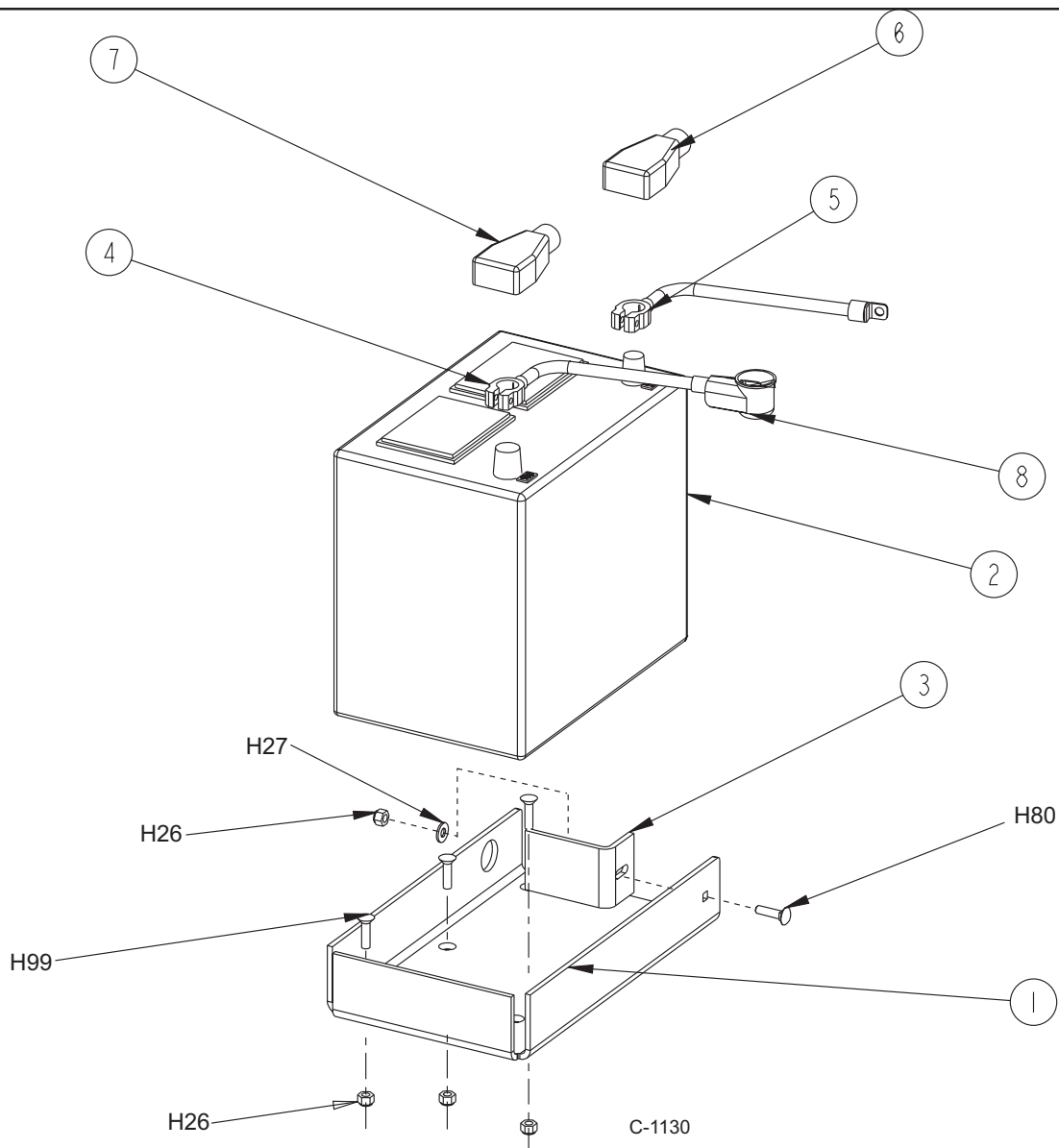


<u>KEY NO.</u>	<u>PART NUMBER</u>	<u>DESCRIPTION</u>	<u>QTY.</u>
1	8-40-05051	Head Light	2
	8-40-05050	Head Light Sealed Beam (Service Part)	
2	8-40-05044	Tail Light	1
	2-00-05291	Bulb, Tail Light (Service Part)	
	8-41-03010	Lens, Tail Light, Center (Service Part)	
	8-41-03011	Lens, Tail Light, Outer (Service Part)	
3	2-00-04210	Clamp	1
4	8-32-09013	Horn	1

HARDWARE USED:

H12	2-00-01246	Nut, Hex Fiber Insert #10-24	2
H101	2-00-04897	Screw, #10-24 x 1.250 THM	1
H102	2-00-04795	Screw, #10-24 x .750 BHS	8
H103	2-00-00089	Screw, 10-24 x 1.500 RHM	1

C1115/9812



<u>KEY NO.</u>	<u>PART NUMBER</u>	<u>DESCRIPTION</u>	<u>QTY.</u>
1	8-08-00792	Battery Bracket	1
2	0875-008	Battery	1
	0875-057	Battery (Diesel Only)	1
3	7-13-07109	Battery Bracket	1
4	7-90-07280	Cable, Positive	1
5	7-90-07281	Cable, Negative	1
6	2-00-05171	Boot, Black	1
7	2-00-05173	Boot, Red	1
8	2-00-04952	Boot, Red	1

HARDWARE USED:

H26	2-00-00641	Nut, 1/4-20 Insert Fiber	4
H27	2-00-03702	Washer, .625 x .281 x .063	1
H80	2-00-02196	Carriage Bolt, 1/4-20 x 1.000 RHM	1
H99	2-00-02810	Screw, 1/4-20 x 1.000 FHM	3

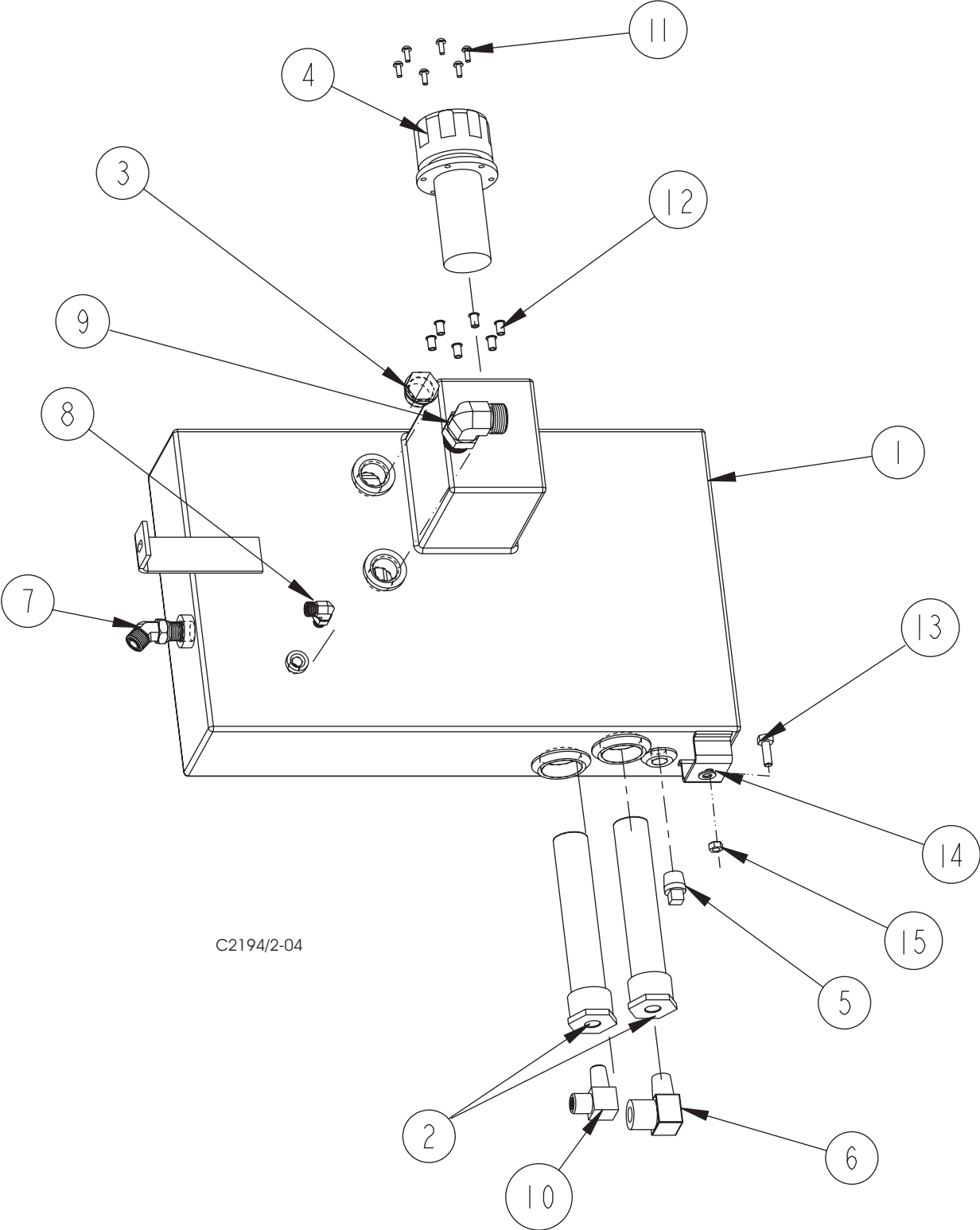
C1130/990

HYDRAULIC RESERVOIR - PARTS LIST

<u>KEY NO.</u>	<u>PART NUMBER</u>	<u>DESCRIPTION</u>	<u>QTY.</u>
1	8-83-04044	Reservoir	1
2	8-24-04115	Strainer, Hyd. Fluid	2
3	8-48-05033	Sight Glass, Hyd. Fluid	1
4	8-11-00026	Filter Cap Assy., Reservoir	1
5	2-00-02474	Plug, 1/2 NPT	1
6	2-00-05074	Fitting, 3/4 NPT - 12 ORS, 90°	1
7	2-00-04975	Fitting, 8 SAE 45° Elbow	1
8	2-00-04892	Fitting, 90° Elbow (O-Ring)	1
9	2-00-04972	Fitting, -12 ORS x -12 SAE, 90°	1
10	2-00-05438	Fitting, 3/4 MP x 1/2 ORS 90° Elbow	1
11	2-00-00049	Screw, 10-24 x .50 RHM	6
12	2-00-05262	Insert, 10-24 Threaded	6
14	2-00-00409	Flat Washer, .687 x .344 x .062	1
13	2-00-02708	Screw, 5/16-18 x 1.000 HHM	1
15	2-00-00644	Nut, 5/16-18, Insert Fiber	1

C2194/2-04

HYDRAULIC RESERVOIR - EXPLODED VIEW



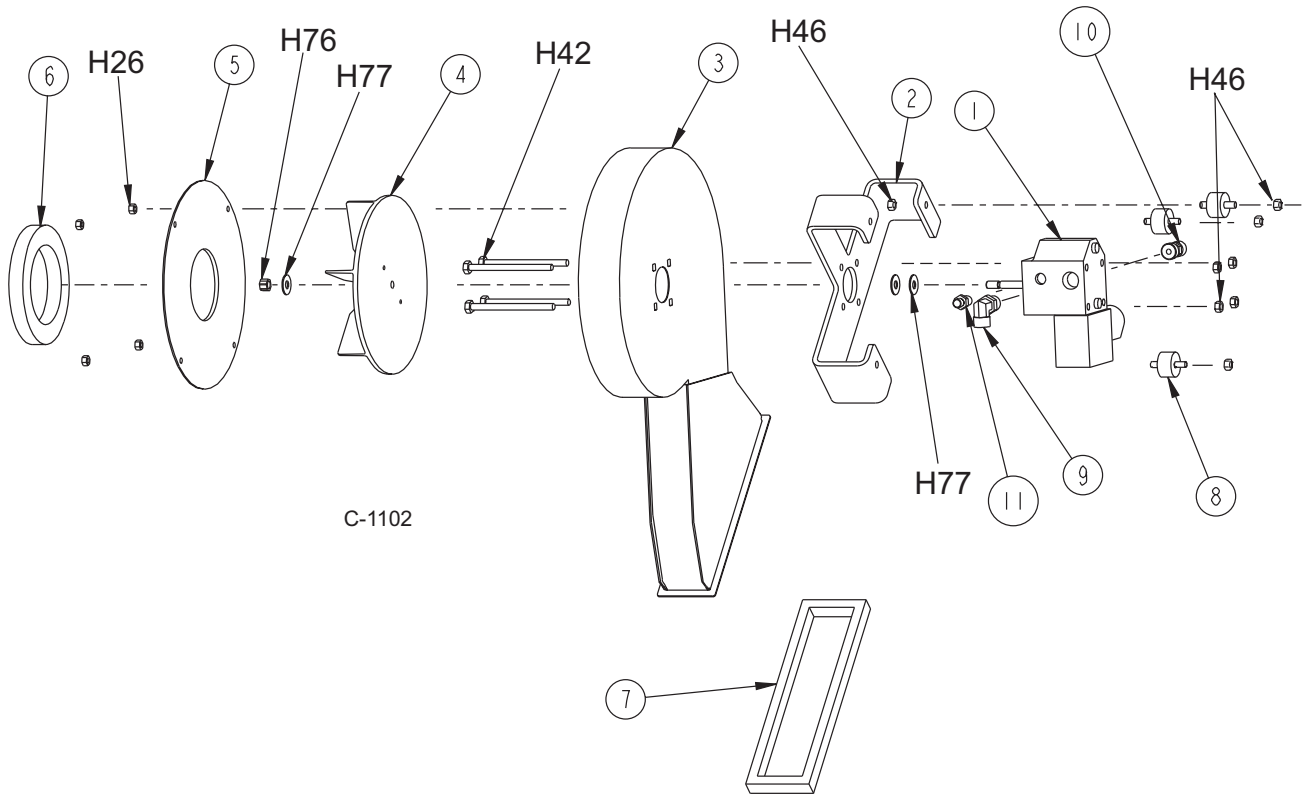
C2194/2-04

VACUUM FAN - PARTS LIST

<u>KEY NO.</u>	<u>PART NUMBER</u>	<u>DESCRIPTION</u>	<u>QTY.</u>
1	0882-064	Vacuum Motor	1
2	8-08-00787	Bracket, Vacuum Fan	1
3	8-20-06035	Vacuum Fan Exhaust Duct	1
4	8-23-00012	Fan Impellor	1
5	8-30-05169	Guard, Impellor	1
6	8-29-00183	Gasket, Blower	1
7	8-29-00230	Gasket, Blower Exhaust	1
8	8-50-05037	Radiator Mount Pad	3
9	2-00-04885	Fitting, 90°	1
10	2-00-04970	Fitting, Straight	1
11	2-00-04895	Fitting, Straight	1
12	0875-117	Diode Assembly	1
HARDWARE USED:			
H26	2-00-00641	Nut, 1/4-20 Insert Fiber	4
H42	2-00-02655	Screw, 5/16-18 x 4.500 HHC	4
H46	2-00-00644	Nut, 5/16-18, Insert Fiber	10
H76	2-00-00632	Nut, Fiber Insert 3/8-24 Steel	1
H77	2-00-00484	Flat Washer, .625 x .375 x .046	3

C1102/9908

VACUUM FAN - EXPLODED VIEW

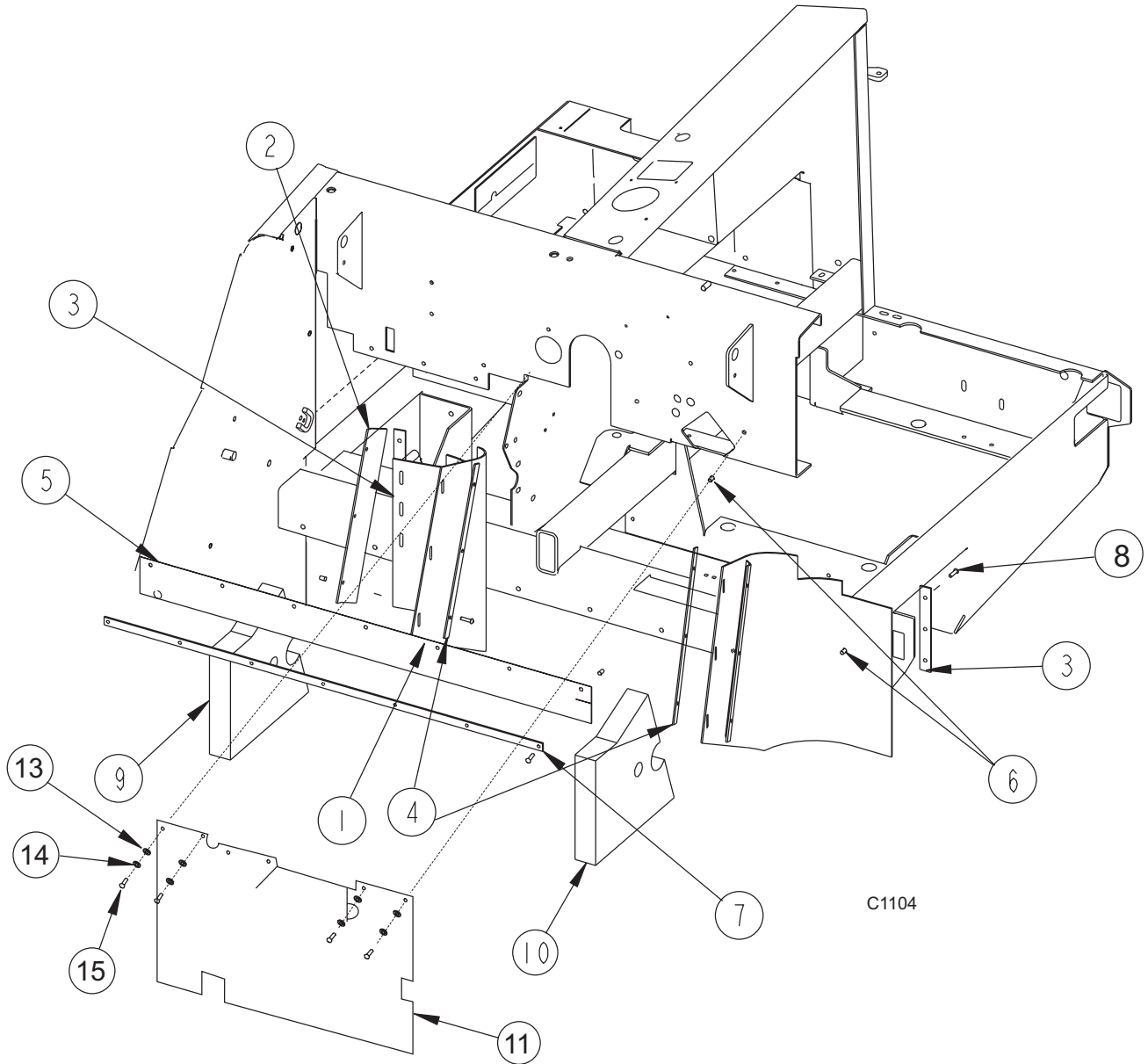


FLAPS (WHEEL WELL) - PARTS LIST

<u>KEY NO.</u>	<u>PART NUMBER</u>	<u>DESCRIPTION</u>	<u>QTY.</u>
1	8-25-08194	Flap, Wheel Well	2
2	8-13-07113	Clamp, Wheel Well Flap, Front	2
3	8-13-07112	Clamp, Wheel Well Flap, Rear	2
4	8-13-07123	Clamp, Wheel Well Flap, Front	2
5	8-68-05078	Seal, Broom Door Chamber/Dump Door	1
6	2-00-05261	Threaded Insert	25
7	8-13-07119	Clamp, Dump Door Seal	1
8	2-00-04877	Screw, 1/4-20 x 1.000 BHS	19
9	8-68-05079	Seal, Wheel Well, Right	1
10	8-68-05080	Seal, Wheel Well, Left	1
11	8-25-08218	Flap, Dust Control	1
12	2-00-03702	Washer, .625 x .281 x .063	6
13	2-00-00518	Lock Washer, 1/4"	6
14	2-00-00221	Screw, 1/4-20 x 3/4	6

C1104

FLAPS (WHEEL WELL) - EXPLODED VIEW

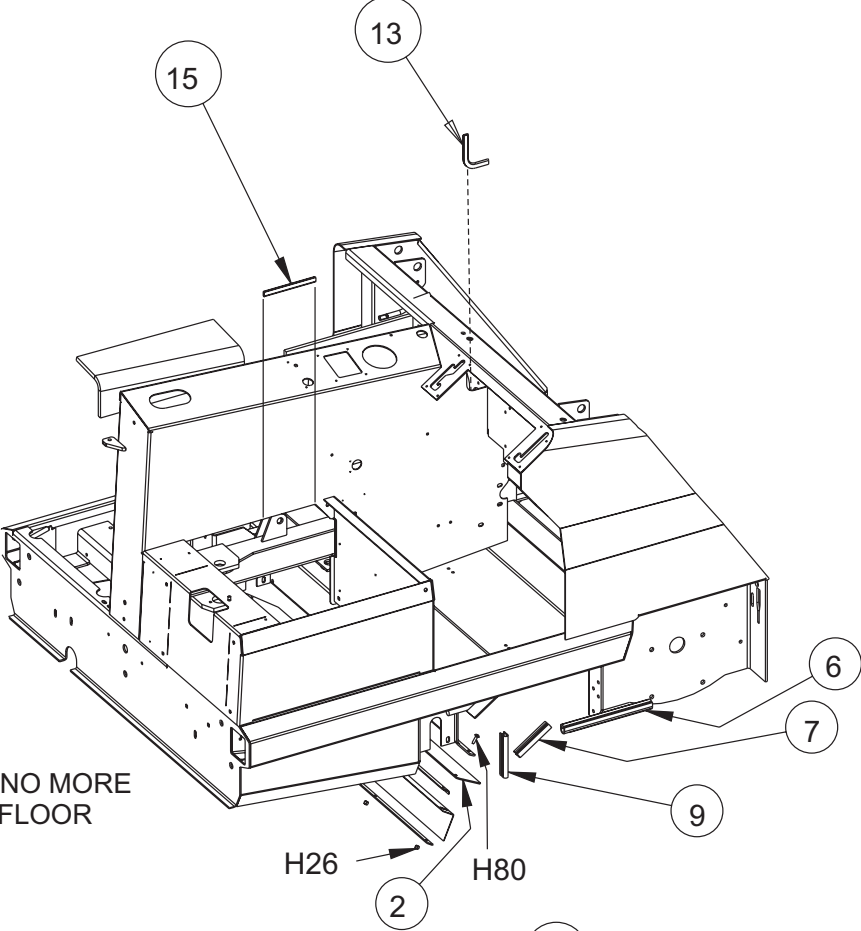


BROOM CHAMBER FLAPS & SEALS - PARTS LIST

<u>KEY NO.</u>	<u>PART NUMBER</u>	<u>DESCRIPTION</u>	<u>QTY.</u>
1	8-27-07119	Frame, Weldment	1
2	8-25-08197	Flap, Rear Inside Frame	1
3	8-13-07114	Clamp, Rear Flap Broom Chamber Inner	1
4	8-25-08196	Flap, Rear Outside Frame	1
5	8-13-07115	Clamp, Rear Flap Broom Chamber Outer	1
6	8-29-00231	Gasket	2
7	8-29-00232	Gasket	1
8	8-29-00234	Gasket	1
9	8-29-00233	Gasket	1
10	8-29-00277	Gasket-Broom Chamber	1
11	8-34-09017	Insulation	1
12	8-34-09018	Insulation	1
13	7-21-04022	Edging	2
14	7-21-04031	Edging	1
15	7-21-03003	Edging	1
16	2-00-05261	¼ - 20 Threaded Insert	4
HARDWARE USED:			
H15	2-00-00221	Screw, ¼ - 20 x .750 HHC	4
H26	2-00-00641	Nut, 1/4-20 Insert Fiber	5
H27	2-00-03702	Washer, .625 x .281 x .063	4
H72	2-00-00518	Lock Washer, Helical spring	4
H80	2-00-02196	Carriage Bolt, 1/4-20 x 1.000 RHM	5

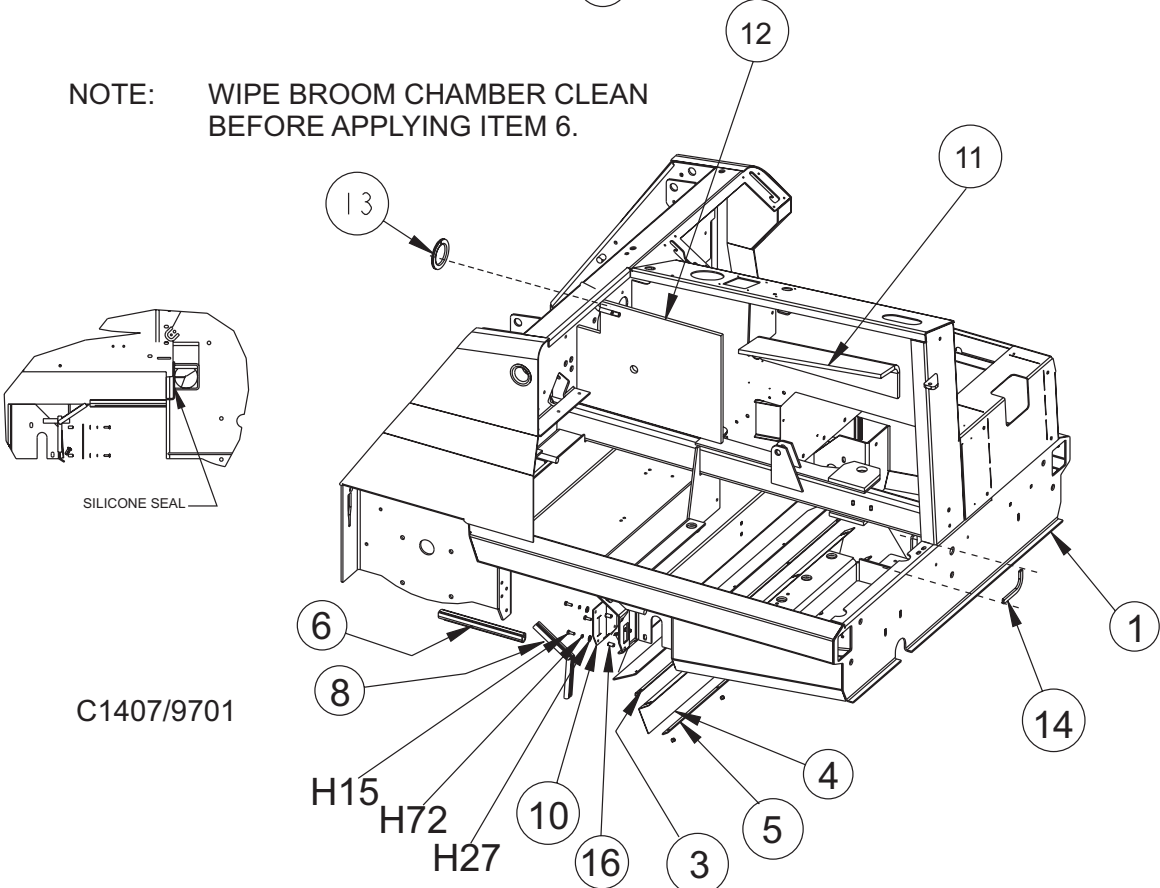
C1407/9702

BROOM CHAMBER FLAPS & SEALS - EXPLODED VIEW



ADJUST FLAP TO NO MORE THAN .125 FROM FLOOR

NOTE: WIPE BROOM CHAMBER CLEAN BEFORE APPLYING ITEM 6.



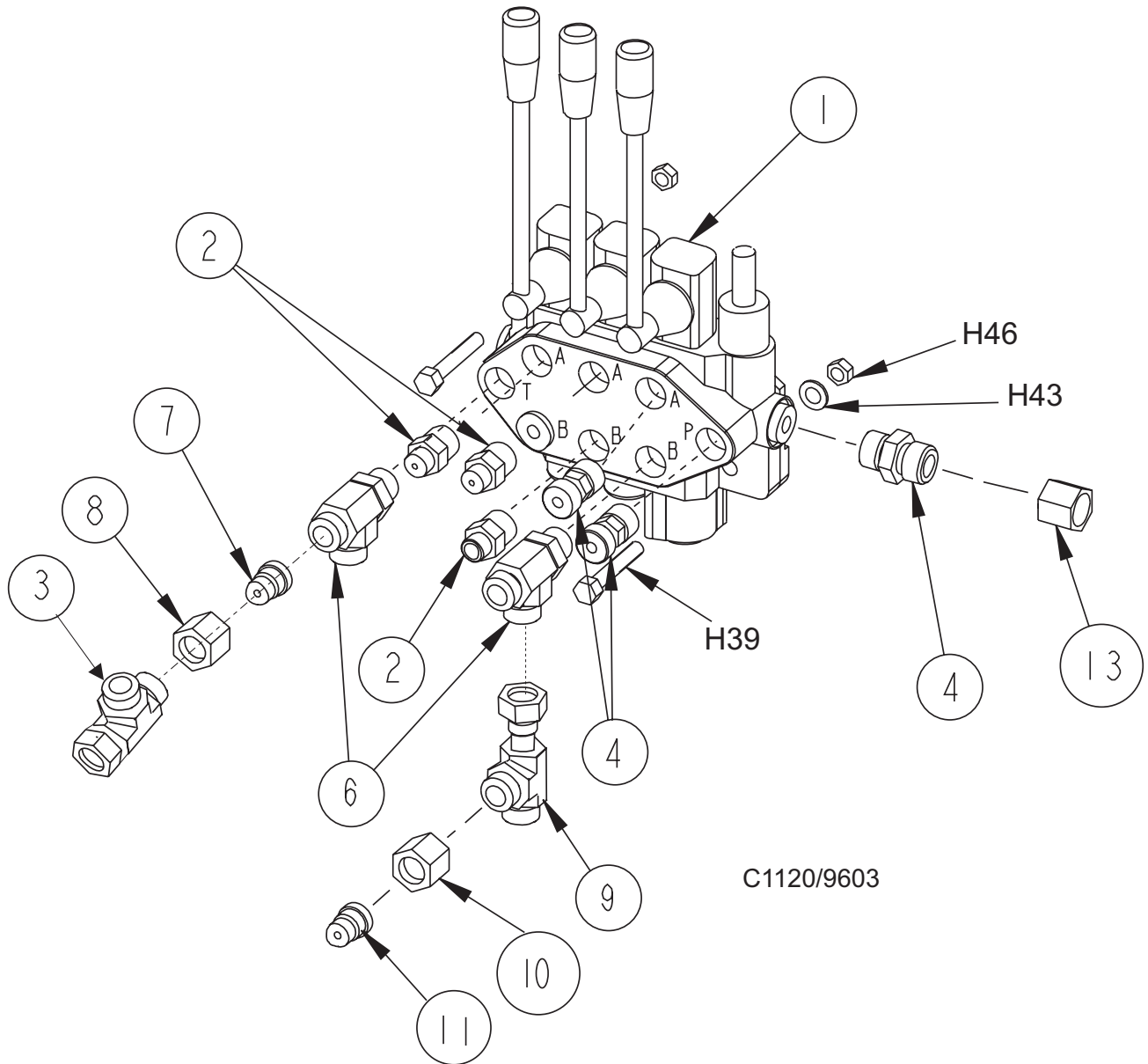
C1407/9701

CONTROL & RELIEF VALVES - PARTS LIST

<u>KEY NO.</u>	<u>PART NUMBER</u>	<u>DESCRIPTION</u>	<u>QTY.</u>
1	8-88-00060	Control Valve	1
	7-70-00095	Seal Kit, Control Valve (Service Part)	Ref.
	7-88-00068	Relief Valve, Control Valve (Service Part)	Ref.
2	2-00-05264	Fitting	3
3	2-00-05162	Fitting - Tee	1
4	2-00-04970	Fitting, Connector	3
6	2-00-04924	Fitting, Run Tee	2
7	2-00-04929	Fitting, Reducer	1
8	2-00-04939	Fitting, Nut for Reducer	1
9	2-00-04928	Fitting, Run Tee	1
10	2-00-04939	Fitting	1
11	2-00-04929	Fitting	1
13	2-00-04957	Fitting	1
HARDWARE USED:			
H39	2-00-00218	Screw, 5/16-18 x 2.000 HHC	2
H43	2-00-00409	Flat Washer, .687 x .344 x .062	1
H46	2-00-00644	Nut, 5/16-18, Insert Fiber	2

C1120/9603

CONTROL & RELIEF VALVES - EXPLODED VIEW

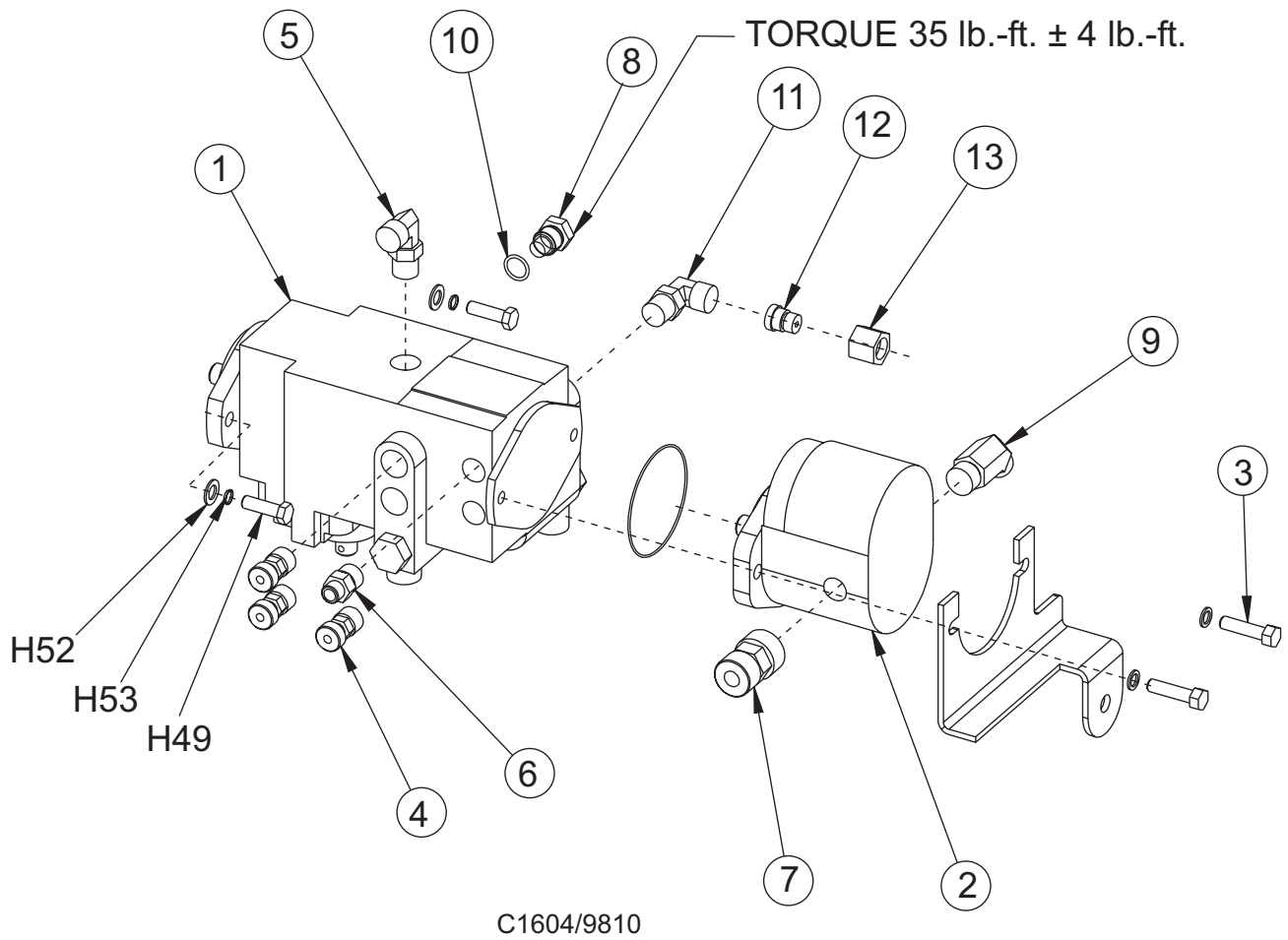


PUMP - PARTS LIST

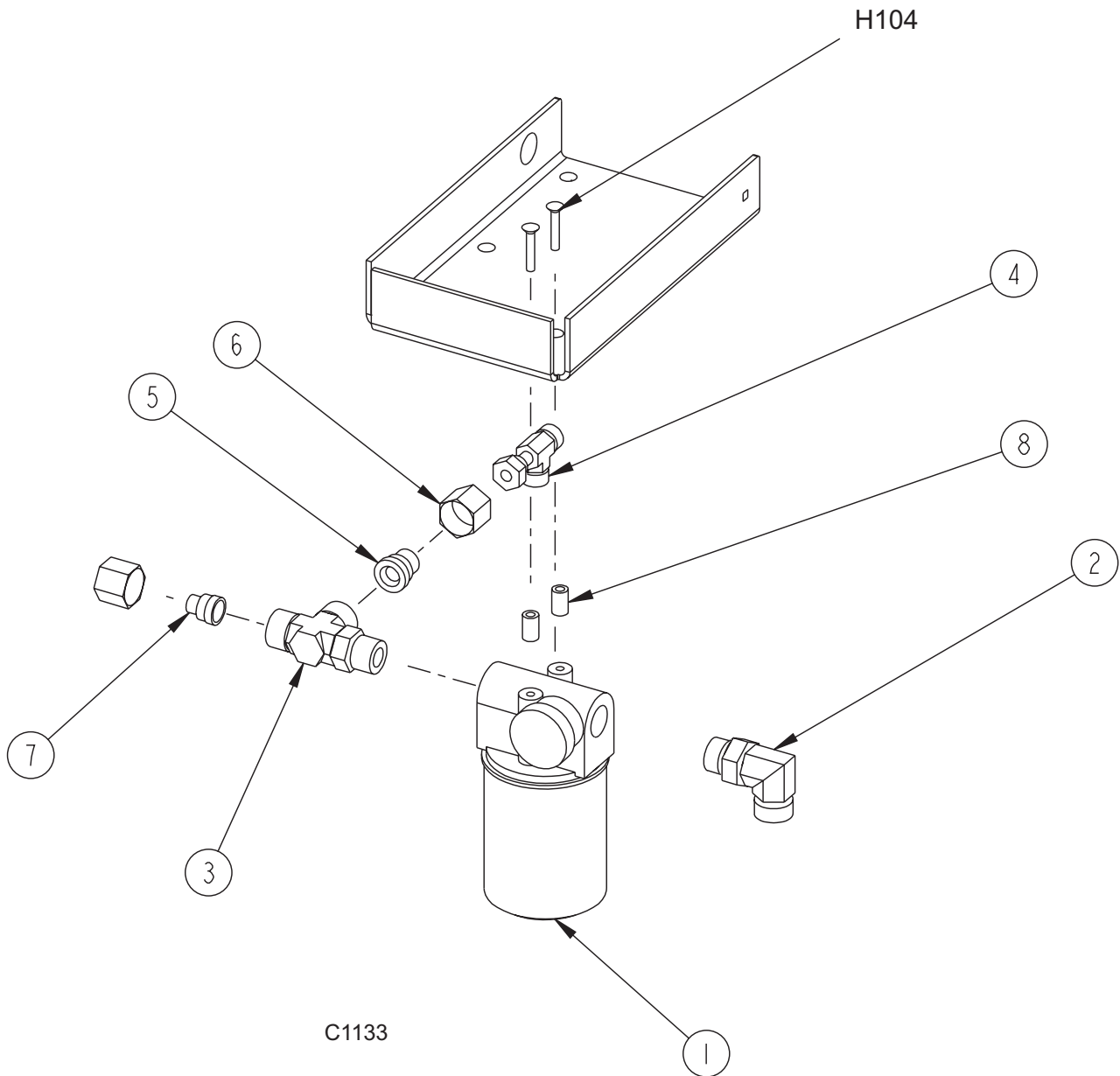
<u>KEY NO.</u>	<u>PART NUMBER</u>	<u>DESCRIPTION</u>	<u>QTY.</u>
1	7-60-05023-1	Piston Pump	1
	7-70-00093	Piston Pump Seal Kit (Service Part)	
2	0885-067	Gear Pump	1
	0880-488	Gear Pump Seal Kit (Service Part)	
3	0880-404	Seal Kit	1
4	2-00-04970	Fitting, Connector	3
5	2-00-04885	Fitting, 90° Elbow	1
6	2-00-05264	Fitting, Connector	1
7	2-00-04971	Fitting, Connector	1
8	7-78-05023	Pump Stop	1
9	2-00-04989	Fitting, 45° Elbow	1
10	2-00-04983	O-Ring	1
11	2-00-04885	Fitting, 90° #8 - #8	1
12	2-00-04929	Reducer, #8 - #4	1
13	2-00-04939	Cap Nut #8	1
HARDWARE USED:			
H49	2-00-00209	Screw, 3/8-16 x 1.250 HHC	2
H52	2-00-00402	Flat Washer, .750 x .390 x .094	2
H53	2-00-02310	Lock Washer, Helical Spring 3/8 Med.	2

C1604/9901

PUMP - EXPLODED VIEW



HYDRAULIC FILTER



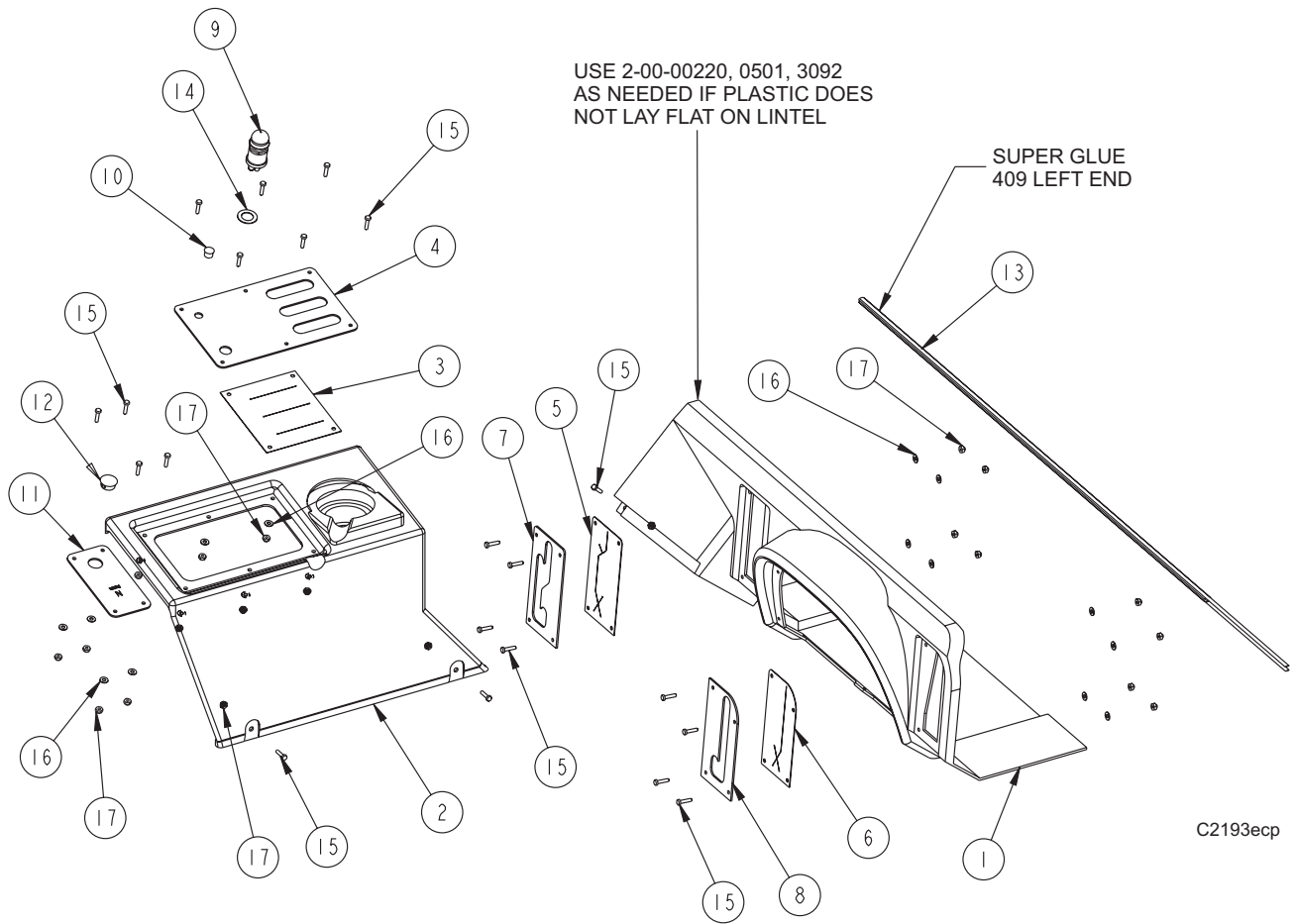
KEY NO.	PART NUMBER	DESCRIPTION	QTY.
1	8-24-04116	Hydraulic Filter	1
	8-24-04118	Filter Element (Service Part)	
	2-60-02280	Pressure Gauge (Service Part)	
2	2-00-04972	90° Elbow	1
3	2-00-05269	Run Tee	1
4	2-00-04928	Run Tee	1
5	2-00-05271	Reducer	1
6	2-00-05270	Nut for Reducer	1
7	2-00-05282	Reducer	1
8	8-75-01199	Spacer	2

HARDWARE USED:

H104	2-00-03541	Screw, 1/4-20 x 1.500 FHSC	2
------	------------	----------------------------	---

C1133

INSTRUMENT PANEL HOUSING



KEY NO.	PART NUMBER	DESCRIPTION	QTY.
1*	8-33-05118	Housing, Instrument	1
2*	8-33-05119	Housing, Center Wall	1
3	8-16-07356	Cover, Valve Slot	1
4*	8-52-00196	Panel, Control Valve	1
5	8-16-07355	Cover, Main Broom Slot	1
6	8-16-07354	Cover, Side Broom Slot	1
7*	8-52-00194	Panel, Main Broom	1
8*	8-52-00195	Panel, Side Broom	1
9	8-82-00024	Horn, Push Button	1
10	2-00-05283	Plug Button (Diesel Only)	1
11	8-52-00189	Panel, Throttle	1
12	2-00-04513	Plug	1
13	8-68-05081	Seal, Trim	1
14	2-00-02293	Lock Washer, Int. Tooth, .63 dia.	1
15	2-00-05337	Screw, #8-32 x .75 BHS SS	21
16	2-00-00460	Flat Washer, .437 x .192 x .031	18
17	2-00-01372	Nut, #8-32 Fiber Insert Lock	21

*Part of 0860-630

C2193ecp/11-04

INSTRUMENT PANEL - PARTS LIST

<u>KEY NO.</u>	<u>PART NUMBER</u>	<u>DESCRIPTION</u>	<u>QTY.</u>
1	8-52-00203	Panel, Instrument	1
2	8-64-00008	Circuit Breaker (15 amp)	6
3	7-64-00025	Circuit Breaker (25 amp)	2
4	7-82-00026	Switch, Anti-Restart Key	1
5	8-48-05023	Gauge, Hour Meter	1
6	8-41-03014	Lens, Warning Light	1
7	8-75-01223	Spacer, Panel	4
8	8-58-05292	Plate, Warning Light	1
9	2-00-05324	Insert, #8-32 Threaded	9
10	2-00-05337	Screw, #8-32 x .75 BHSC	9
11	8-08-00948	Bracket, Timer	1
12	2-00-01372	Nut, #8-32 Fiber Insert Lock	4
13	2-00-01246	Nut, #10-24 Elastic Stop	3
14	0895-142	Harness, Instrument Panel (not shown)	1

C1438ecp/3-05

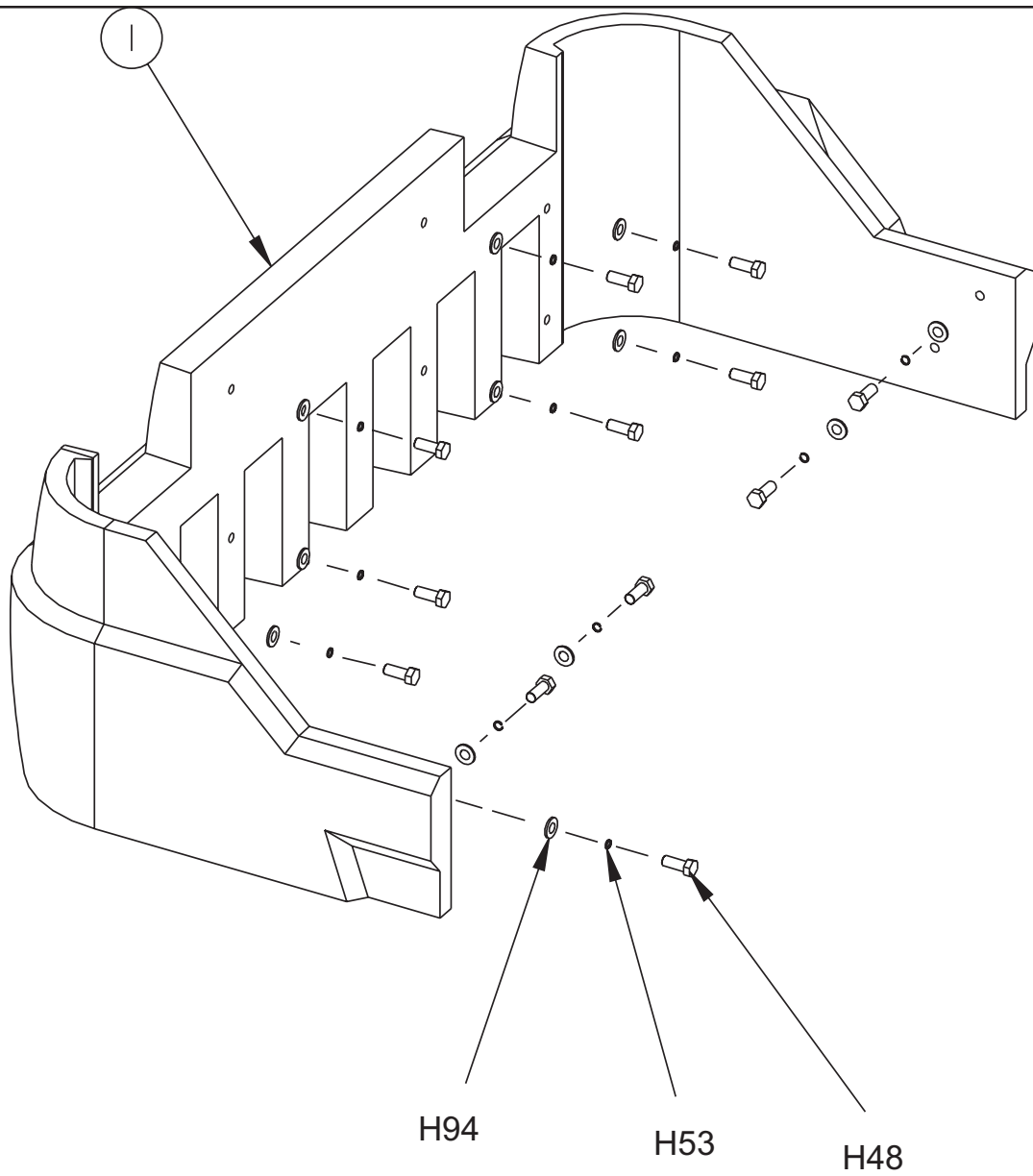
SWITCH POSITIONS						
	1	2	3	4	5	6
	HEAD LIGHTS	WORK LIGHT	GLOW PLUG	FILTER SHAKER	DUST CONTROL	THROTTLE
GAS	8-82-00072	2-00-05375	2-00-05375	8-82-00073	8-82-00072	8-82-00074
LP	8-82-00072	2-00-05375	2-00-05375	8-82-00073	8-82-00072	8-82-00074
DIESEL	8-82-00072	2-00-05375	8-82-00073	8-82-00073	8-82-00072	2-00-05375

0880-594 CURB BROOM LIGHT SWITCH (POSITION 2): 8-82-00072

0880-595 REAR WORK LIGHT SWITCH (POSITION 2): 8-82-00072

	LIGHT POSITIONS		GAUGE	TIMER	RELAY (2 PER)
	1 - 3	4 - 6			
GAS	8-40-05057	8-40-05056	8-48-05032	8-64-05011	8-64-05009
LP	8-40-05057	8-40-05056	7-11-04035	8-64-05011	8-64-05009
DIESEL	8-40-05057	8-40-05056	8-48-05032	8-64-05011	8-64-05009

FRONT BUMPER



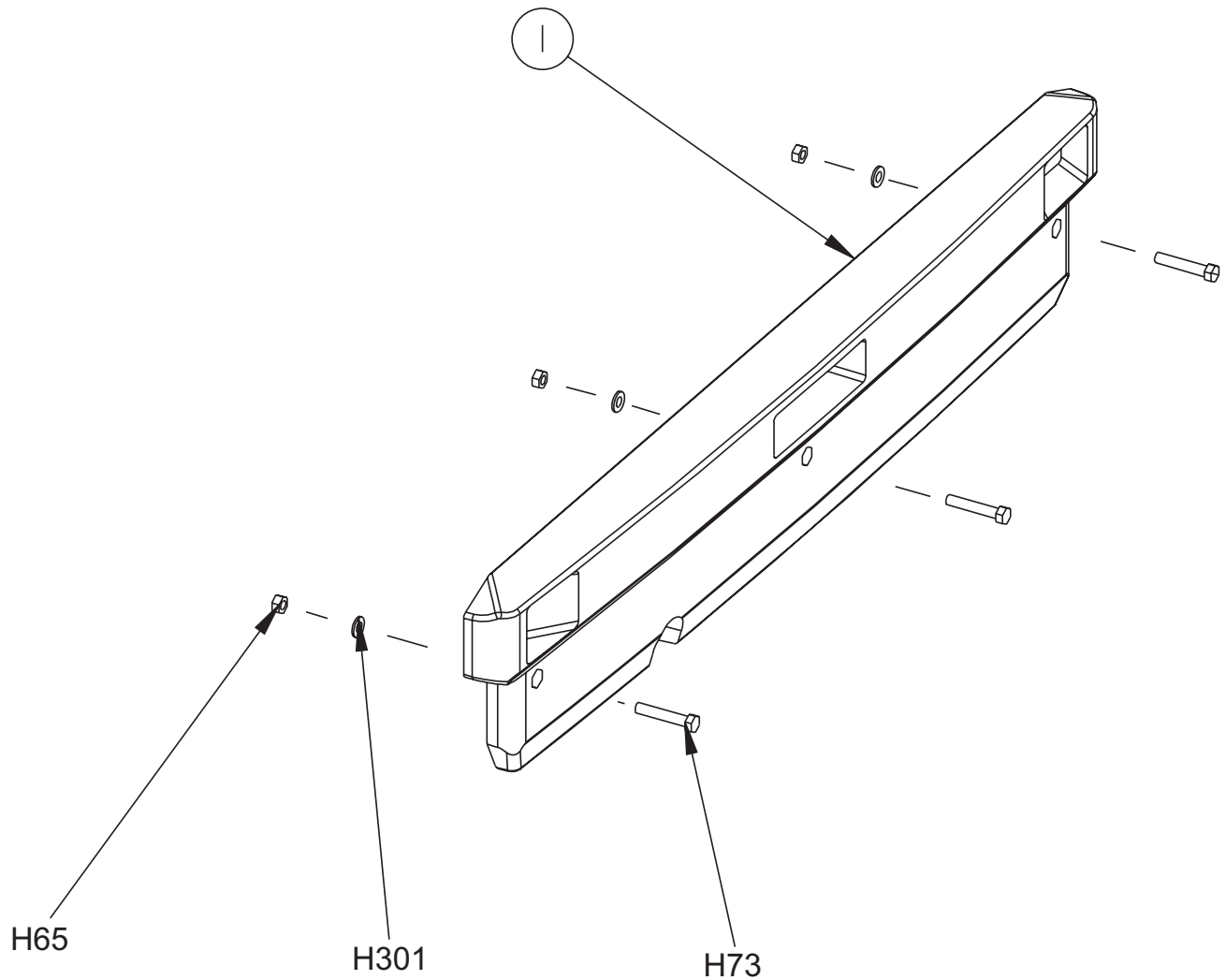
<u>KEY NO.</u>	<u>PART NUMBER</u>	<u>DESCRIPTION</u>	<u>QTY.</u>
1	8-08-07055	Front Bumper	1

HARDWARE USED:

H48	2-00-00233	Screw, 3/8-16 x 1.000 HHC	12
H53	2-00-02310	Lock Washer, Helical Spring 3/8 Med.	12
H94	2-00-04851	Flat Washer	12

C-1121/9506

REAR BUMPER



C1118/9812

<u>KEY NO.</u>	<u>PART NUMBER</u>	<u>DESCRIPTION</u>	<u>QTY.</u>
1	8-08-07056	Rear Bumper	1
HARDWARE USED:			
H65	2-00-04936	Nut, 1/2-13 Fiber Lock	3
H73	2-00-00247	Screw, 1/2-13 x 2.500 HHC	3
H301	2-00-04159	Flat Washer, 1.375 x .563 x .109 STL	3

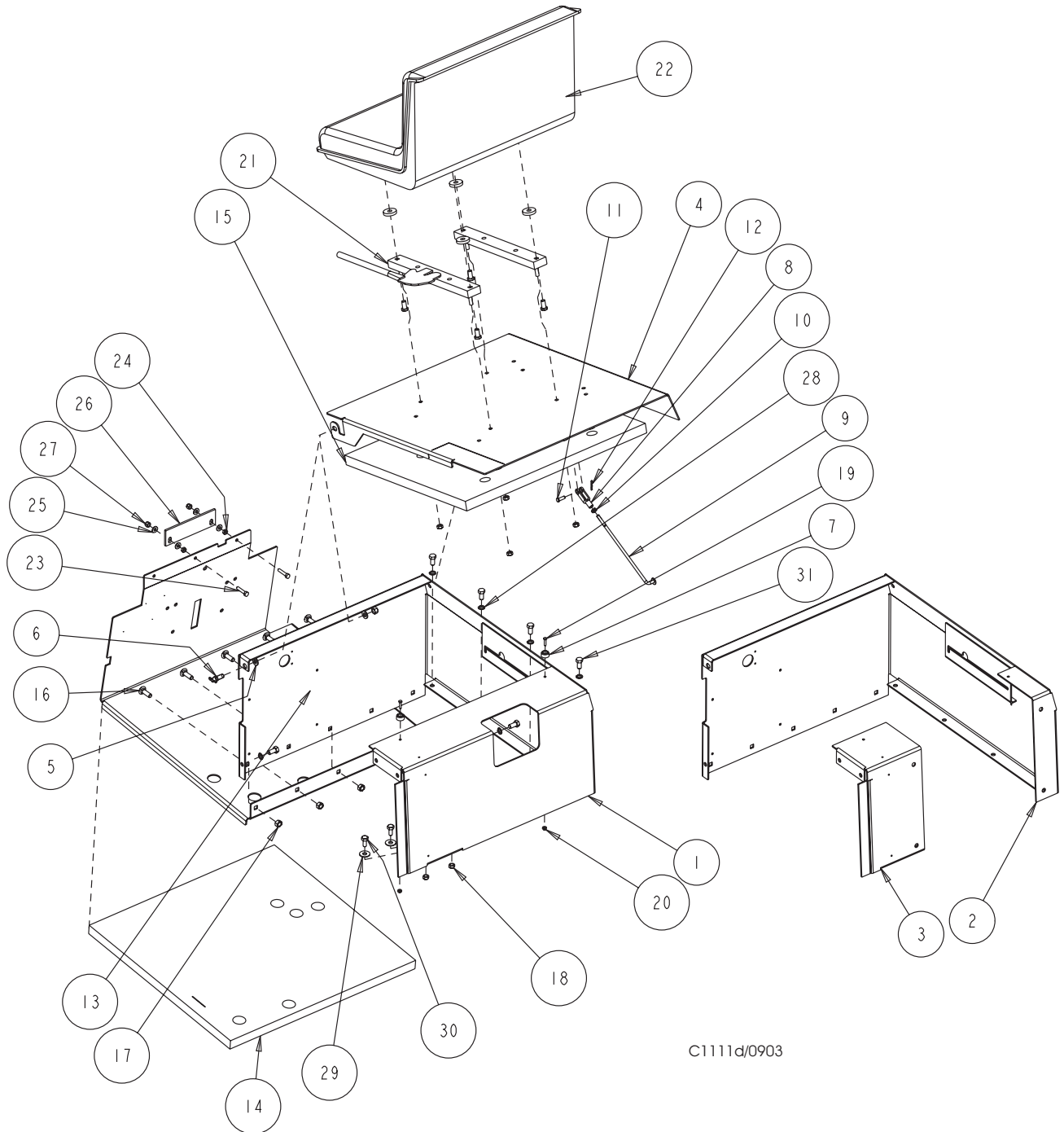
C1118/9812

SEAT & FLOOR ASSEMBLY - PARTS LIST

<u>KEY NO.</u>	<u>PART NUMBER</u>	<u>DESCRIPTION</u>	<u>QTY.</u>
1	8-33-05152	Housing, Seat (Gas & Diesel only)	1
2	8-33-05153	Housing, Seat (LP only)	1
3	8-08-00922	Bracket, Seat Pedestal (LP only)	1
4	8-16-07348	Seat Deck	1
5	2-00-00402	Flat Washer, .750 x .390 x .094	2
6	8-55-08121	Pin, Seat Deck Pivot	1
7	8-50-05058	Rubber Bumpers	2
8	8-14-01006	Clevis	1
9	8-66-00171	Prop Rod	1
10	2-95-01999	Nut, 1/4-28 Hex Jam	1
11	2-00-04909	Pin, 1/4 x 3/4 LG	1
12	2-00-05249	Hair Pin (Cotter)	1
13	8-52-00123	Kick Panel, Floor	1
14	8-34-09016	Insulation, Floor	1
15	8-34-09019	Insulation, Seat Deck	1
16	2-00-05187	Carriage Bolt, 3/8-16 x 1.0	5
17	2-95-04182	Nut, 3/8-16 Hex Stop	6
18	2-00-00644	Nut, 5/16-18 Hex Insert Fiber	6
19	2-00-05258	Screw, #8-32 x 3/4 SOC BHCS	2
20	2-00-01372	Nut, #8-32 Hex Fiber Lock	2
21	7-72-05005	Slide Adjuster Kit	1
22	8-69-00022	Seat	1
23	2-00-00222	Screw, 1/4-20 x 1.25 Hex Head	2
24	2-00-00589	Nut, 1/4-20	2
25	2-00-03702	Washer, .625 x .281 x .063	4
26	8-58-05270	Plate, Latch	1
27	2-00-00641	Nut, 1/4-20 Fiber Insert	2
28	2-00-02310	Lock Washer, 3/8 Helical Spring	7
29	2-00-03979	Flat Washer, 1.0 x .39 x .062	2
30	2-00-00208	Screw, 5/16-18 x .75 HHC	2
31	2-00-00232	Bolt, 3/8-16 Hex Head Finished	7

C1111d/0903

SEAT & FLOOR ASSEMBLY - EXPLODED VIEW



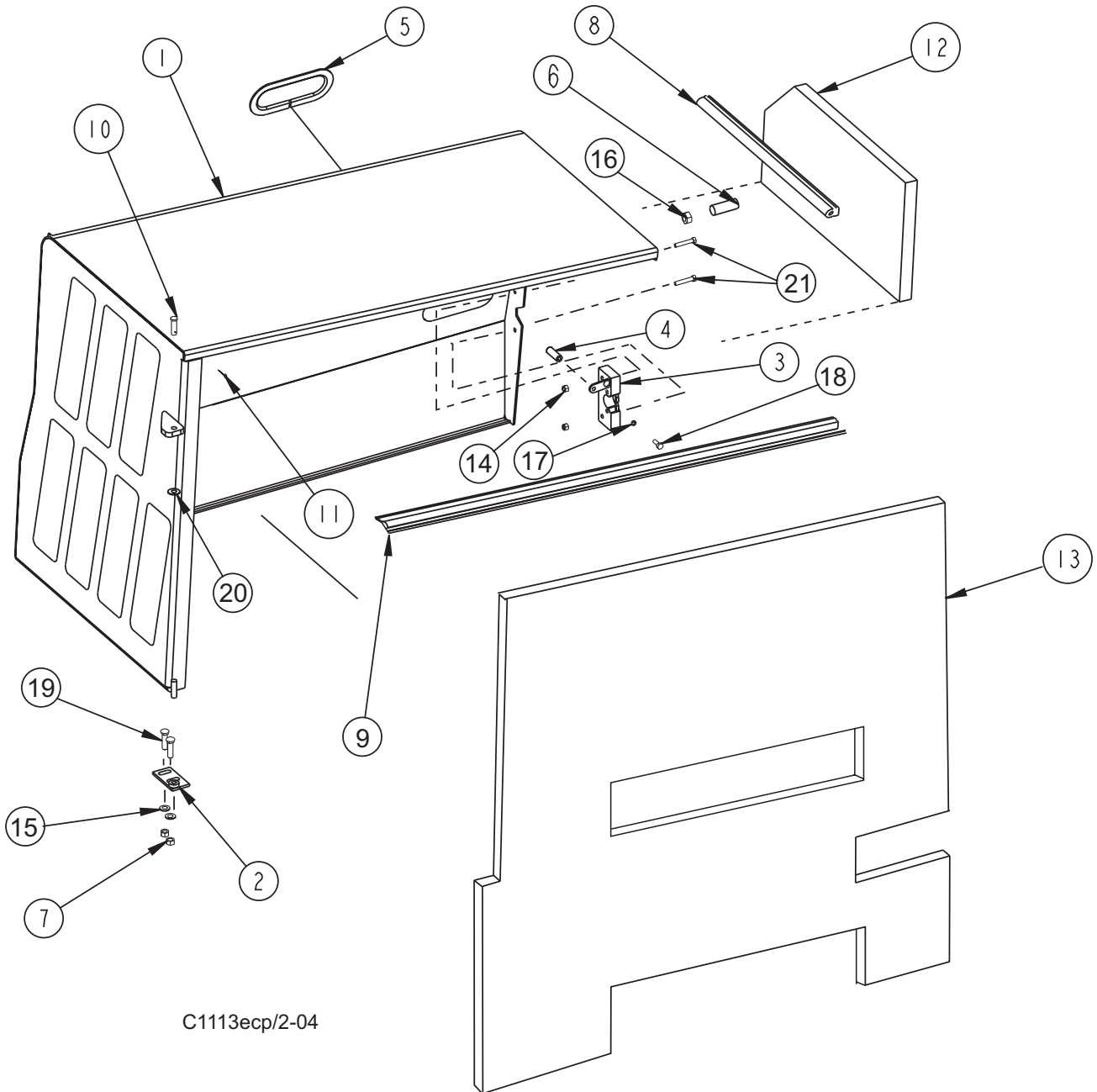
C1111d/0903

ENGINE COVER - PARTS LIST

<u>KEY NO.</u>	<u>PART NUMBER</u>	<u>DESCRIPTION</u>	<u>QTY.</u>
1	8-16-07363	Engine Cover	1
2	8-08-00776	Plate, Engine Cover Mounting	1
3	8-41-00051	Latch, Rotor	1
4	8-39-00014	Knob, Latch	1
5	7-21-03003	Edging	1
6	8-66-05012	Roller, Engine Cover Mtg.	1
7	2-95-04182	Nut, 3/8-16 Hex Stop	2
8	8-29-00236	Gasket, Engine Cover	1
9	8-29-00237	Gasket, Engine Cover	1
10	2-00-05266	Pin, 3/8 Dia. Clevis	1
11	2-00-05249	Cotter Pin	1
12	8-34-09037	Insulation	1
13	8-34-09021	Insulation	1
14	2-00-00641	Nut, 1/4-20 Insert Fiber	2
15	2-00-00402	Flat Washer, .750 x .390 x .094	1
16	2-00-04936	Nut, 1/2-13 Fiber Lock	1
17	2-00-00518	Lock Washer, Helical Spring	1
18	2-00-00221	Bolt, 1/4-20 x .750 HHC	1
19	2-00-03750	Carriage Bolt, 3/8-16 x 1.50	2
20	2-00-00410	Flat Washer, .875 x .375 x .060	1
21	2-00-00203	Screw, 1/4-20 x 1.50 Hex	2

C1113ecp/2-04

ENGINE COVER - EXPLODED VIEW



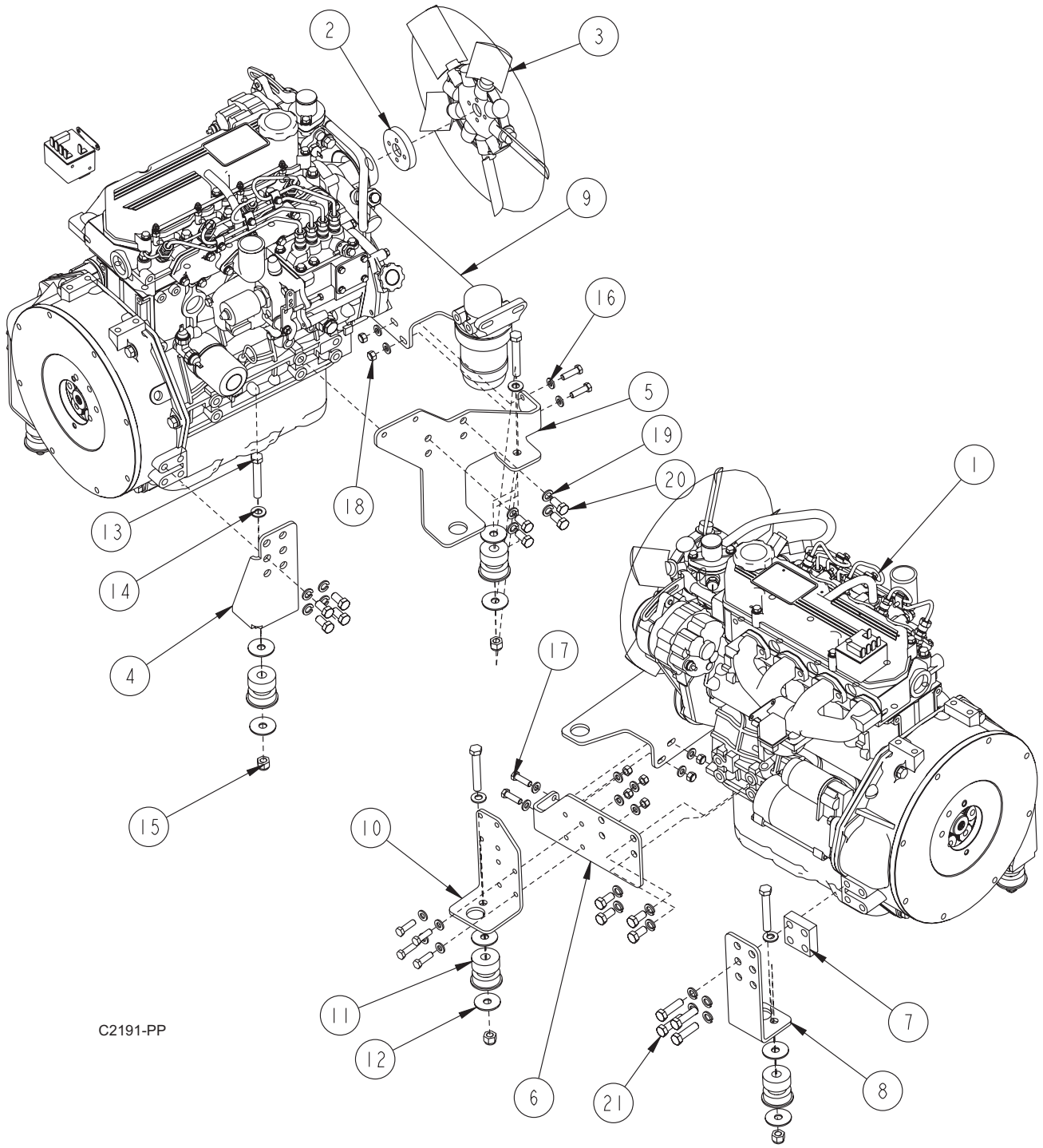
C1113ecp/2-04

MITSUBISHI S4L2 DIESEL ENGINE (FAN, BRACKETS)

<u>KEY NO.</u>	<u>PART NUMBER</u>	<u>DESCRIPTION</u>	<u>QTY.</u>
1	0777-049	Engine, Mitsubishi S4L2 Diesel	1
2	7-75-01250	Spacer, Breeza Fan	1
3	7-23-00023	Fan, S4L2 Engine	1
4	7-08-02042	Bracket, Right Rear Mount	1
5	7-08-01176	Bracket, Front Mount	1
6	7-08-01177	Bracket, Front Mount	1
7	7-75-01246	Spacer, Engine Mount	1
8	7-08-02043	Bracket, Left Rear Mount	1
9	7-08-01175	Bracket, Front Mount	1
10	7-08-02041	Bracket, Front Mount	1
11	7-35-00017	Isolator, Engine Mount (Red Dot)	4
12	2-00-05067	Spacer, Snubbing Washer	8
13	2-00-02617	Screw, 1/2-13 x 3.5	4
14	2-00-00405	Flat Washer, 1.063 x .531 x .094	4
15	2-00-04936	Nut, 1/2-13 Elastic Lock	4
16	2-00-00402	Washer, 25/64 ID x 3/4 OD	16
17	2-00-00209	Bolt, 3/8-16 x 1.25 Hex Head	8
18	2-95-04182	Nut, 3/8-16 Hex Stop	8
19	2-00-05043	Washer, 25/64 ID x 3/4 OD	16
20	2-00-05960	Screw, M12 x 1.25 x 25mm HHC	12
21	2-00-05962	Screw, M12 x 1.25 x 45mm HHC	4

C2191-PP/6-04

MITSUBISHI S4L2 DIESEL ENGINE (FAN, BRACKETS)



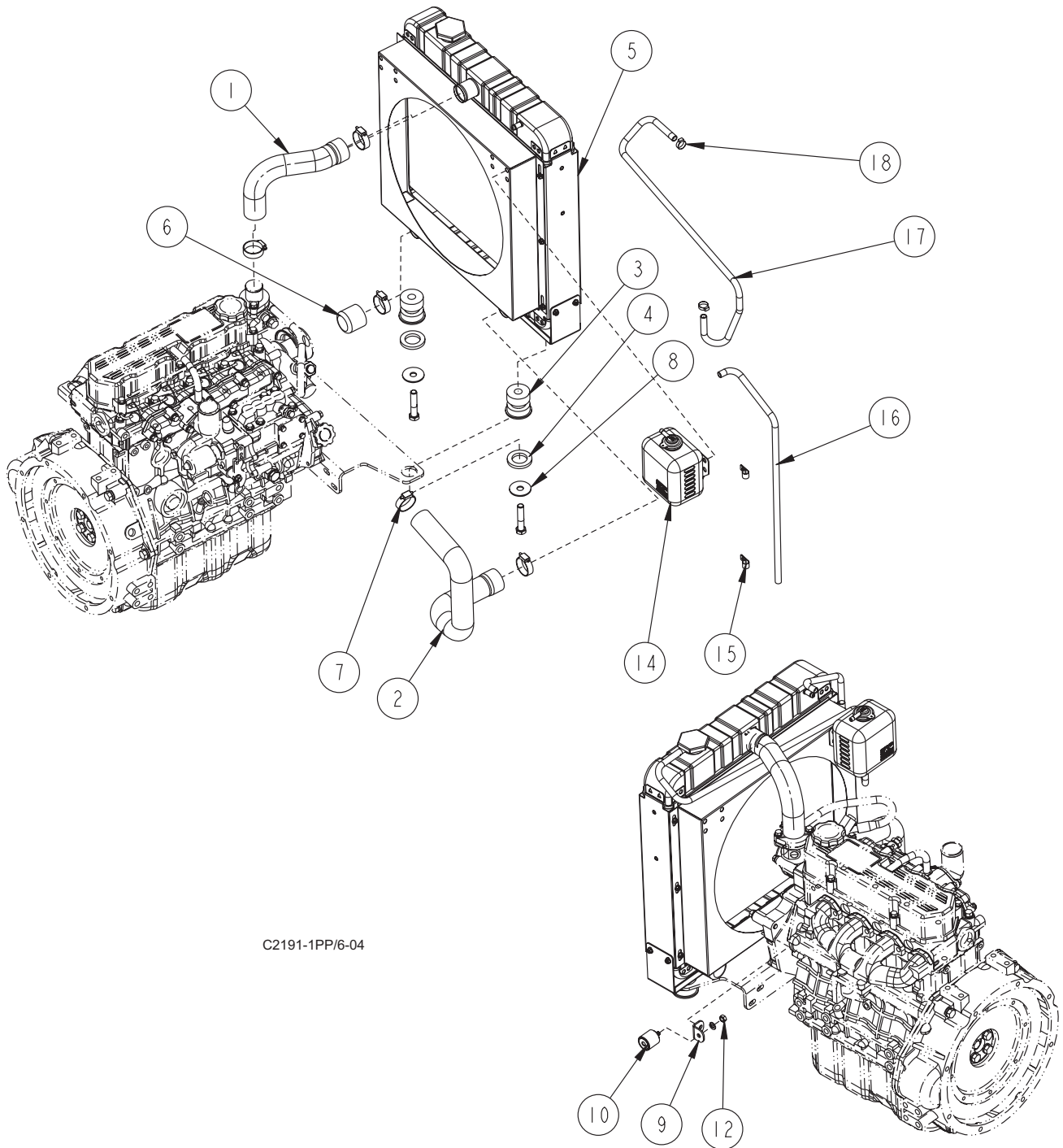
C2191-PP

MITSUBISHI S4L2 DIESEL ENGINE (COOLING SYSTEM)

<u>KEY NO.</u>	<u>PART NUMBER</u>	<u>DESCRIPTION</u>	<u>QTY.</u>
1	7-33-02604	Hose, Upper Radiator	1
2	7-33-02605	Hose, Lower Radiator	1
3	7-35-00017	Isolator, Engine Mount (Red Dot)	2
4	2-00-05955	Washer, 1.25 ID x 2.00 OD x .25	2
5	7-62-01008	Radiator	1
6	2-00-05956	Plug, Radiator Outlet	1
7	2-00-03404	Clamp, Witteck C24P	5
8	2-00-05067	Spacer, Snubbing Washer	2
9	7-08-02047	Bracket, Radiator	1
10	7-35-00028	Isolator, M8-1.25 32 x 32	1
11	2-00-05041	Lock Washer, M8 Helical Spring	2
12	2-00-05964	Nut, M8 x 1.25	1
13	2-00-00247	Screw, 1/2-13 x 2.50 HHC	2
14	7-07-02002	Overflow Bottle Assy. (1 liter)	1
15	2-00-04602	Clamp	2
16	7-33-02644	Hose, 1/4" ID x 24" long (Clear)	1
17	7-33-02643	Hose, 1/4" ID x 36" long (Black)	1
18	2-95-04388	Clamp, Hose	2

C2191-1PP/6-04

MITSUBISHI S4L2 DIESEL ENGINE (COOLING SYSTEM)



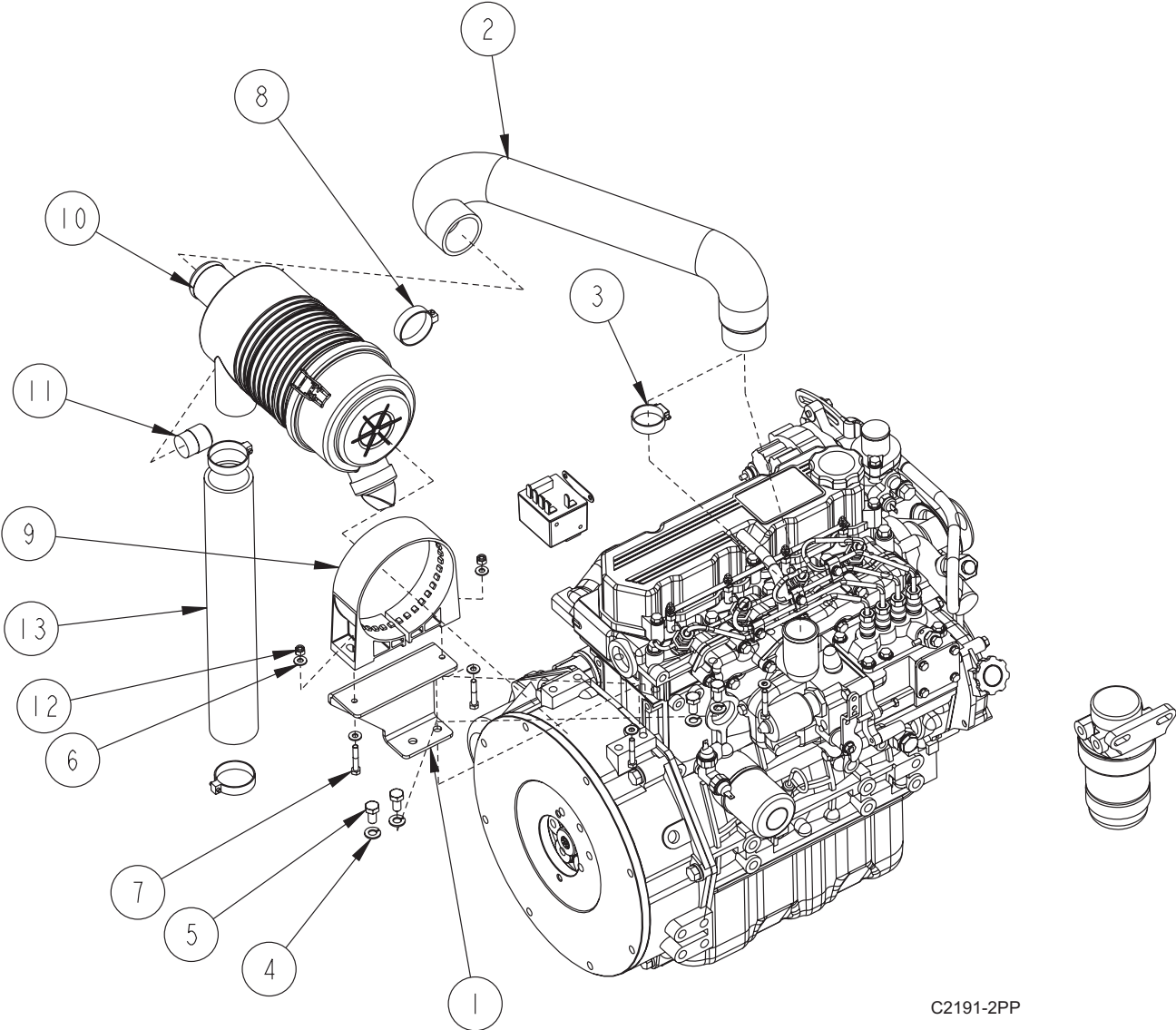
C2191-1PP/6-04

MITSUBISHI S4L2 DIESEL ENGINE (AIR INTAKE SYSTEM)

<u>KEY NO.</u>	<u>PART NUMBER</u>	<u>DESCRIPTION</u>	<u>QTY.</u>
1	7-08-02044	Bracket, Air Cleaner	1
2	7-33-02608	Hose, Air Intake	1
3	2-00-03404	Clamp	1
4	2-00-05042	Lock Washer, M10 Helical Spring	4
5	2-00-05958	Screw, M10 x 1.25 x 20mm HHC	4
6	2-00-03702	Washer, .625 x .281 x .063	6
7	2-00-00203	Screw, 1/4-20 x 1.50 Hex Head	4
8	2-00-02216	Clamp, Hose	3
9	7-13-07231	Band, Filter	1
10	7-24-04083	Filter Assy., Air Cleaner	1
11	7-24-04087	Filter Service Indicator (20" WC)	1
12	2-00-00641	Nut, 1/4-20 Fiber Insert	2
13	8-33-02398	Hose, Air Intake	1

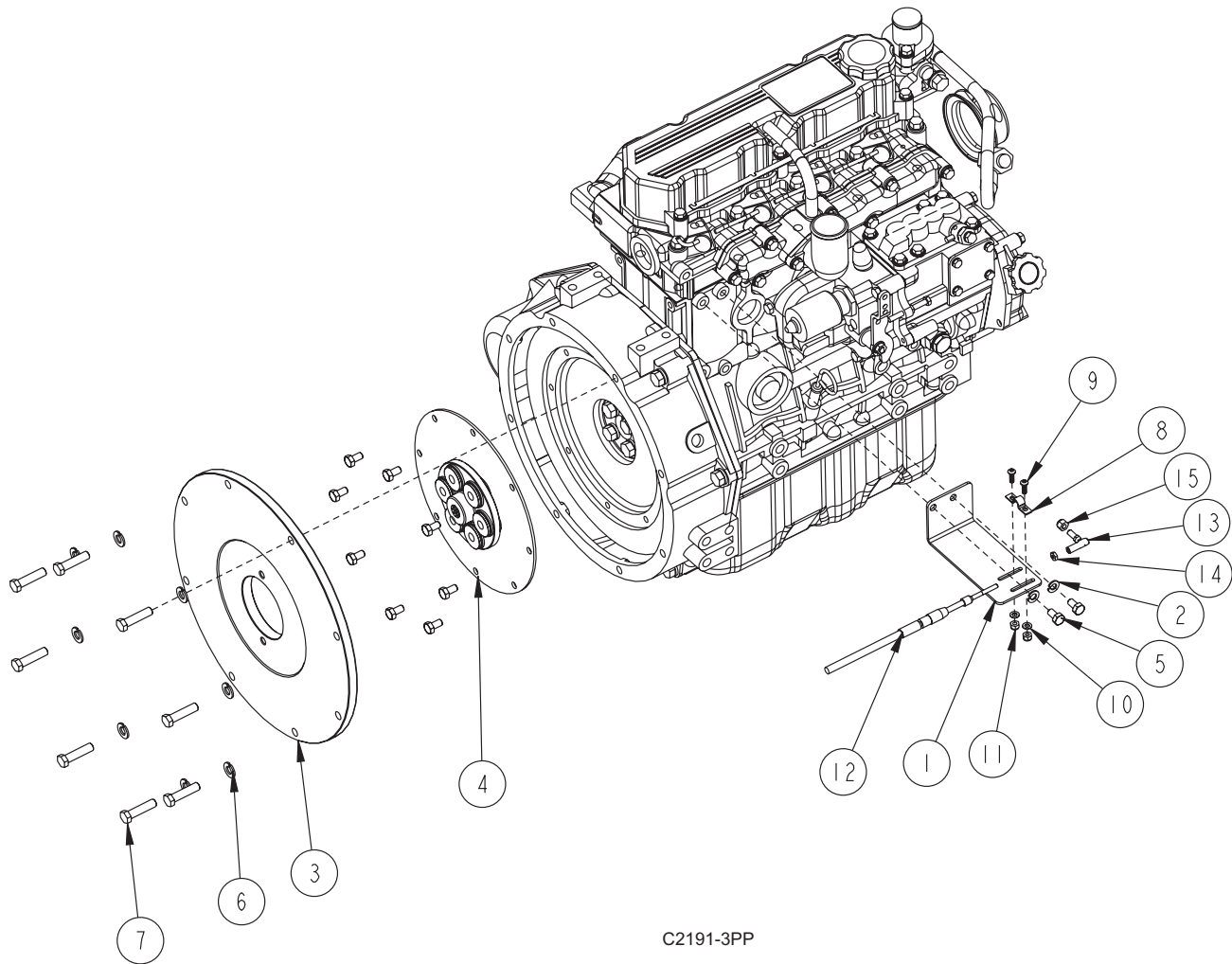
C2191-2PP/6-04

MITSUBISHI S4L2 DIESEL ENGINE (AIR INTAKE SYSTEM)



C2191-2PP

MITSUBISHI S4L2 DIESEL ENGINE (THROTTLE, PUMP PLATE)

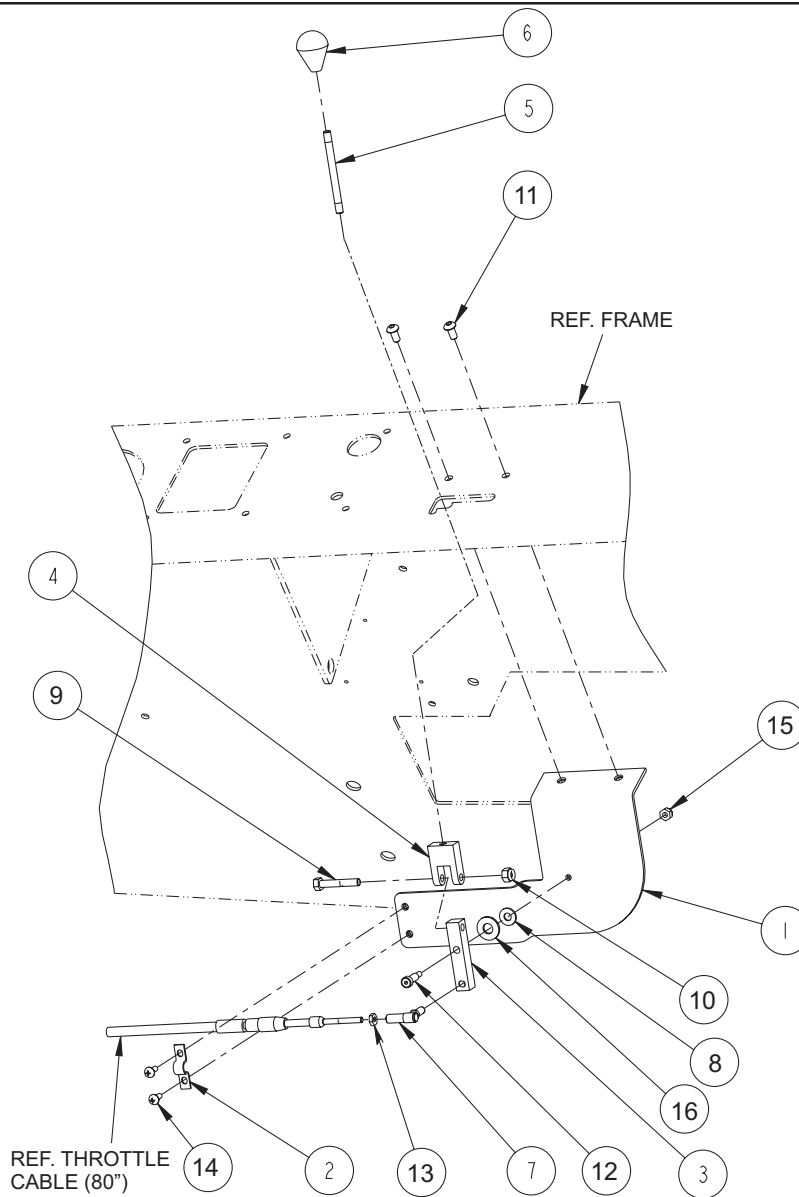


C2191-3PP

KEY NO.	PART NUMBER	DESCRIPTION	QTY.
1	7-08-02048	Bracket, Throttle	1
2	2-00-05041	Lock Washer, M8 Helical Spring	2
3	7-58-05335	Casting, Pump Plate	1
4	7-16-05044	Coupling, Engine	1
5	2-00-05963	Screw, M8 x 1.25 x 15mm 8.8 Blox HHC	10
6	2-00-05042	Lock Washer, M10 Helical Spring	8
7	2-00-05329	Bolt, .39 Dia. x 1.57	8
8	8-13-07094	Clamp, Conduit	1
9	2-00-04794	Screw, 10-24 x .63 BHS	2
10	2-00-00426	Flat Washer, .500 x .219 x .063	2
11	2-00-01246	Insert, 10-24 Thin Nylon	2
12	8-10-00033	Cable, Throttle (57")	1
13	8-25-02036	Connector, Ball Joint	1
14	2-00-00626	Nut, 10-32 Hex	1
15	2-00-00633	Nut, 1/4-28 Fiber Insert	1

C2191-3PP/6-04

THROTTLE CONTROL (DIESEL)

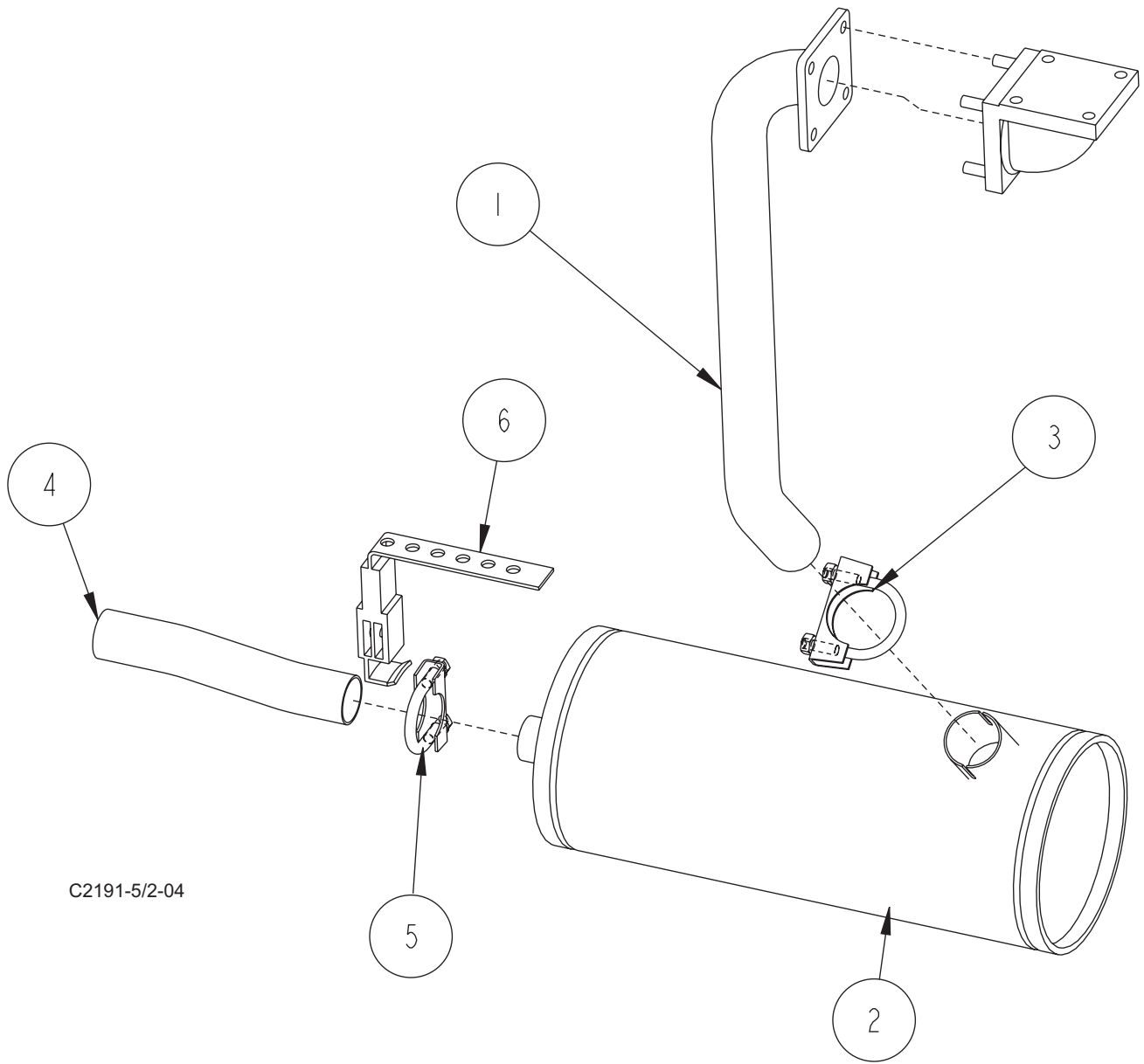


C1296

KEY NO.	PART NUMBER	DESCRIPTION	QTY.
1	8-08-00899	Bracket, Throttle	1
2	8-13-07094	Clamp, Conduit	1
3	8-92-00046	Block, Throttle Pivot	1
4	8-92-00045	Yoke, Throttle	1
5	8-66-00192	Rod, Throttle Control	1
6	7-39-00017	Knob, Solution Control	1
7	8-25-02036	Connector, Ball Joint	1
8	2-00-03702	Washer, .625 x .281 x .063	1
9	2-00-00203	Screw, 1/4-20 x 1.50 Hex Head	1
10	2-00-00641	Nut, 1/4-20 Fiber Insert	1
11	2-00-04876	Screw, 1/4-20 x .50 BHS	2
12	2-00-04563	Screw, 10-24 Shoulder	1
13	2-00-00626	Nut, 10-32 Hex	1
14	2-00-00049	Screw, 10-24 x .50 RHM	2
15	2-00-01246	Insert, 10-24 Thin Nylon	1
16	7-23-03048	Washer, Shakeproof Spring	1

C2196/6-04

mitsubishi S4L2 DIESEL ENGINE (EXHAUST SYSTEM)

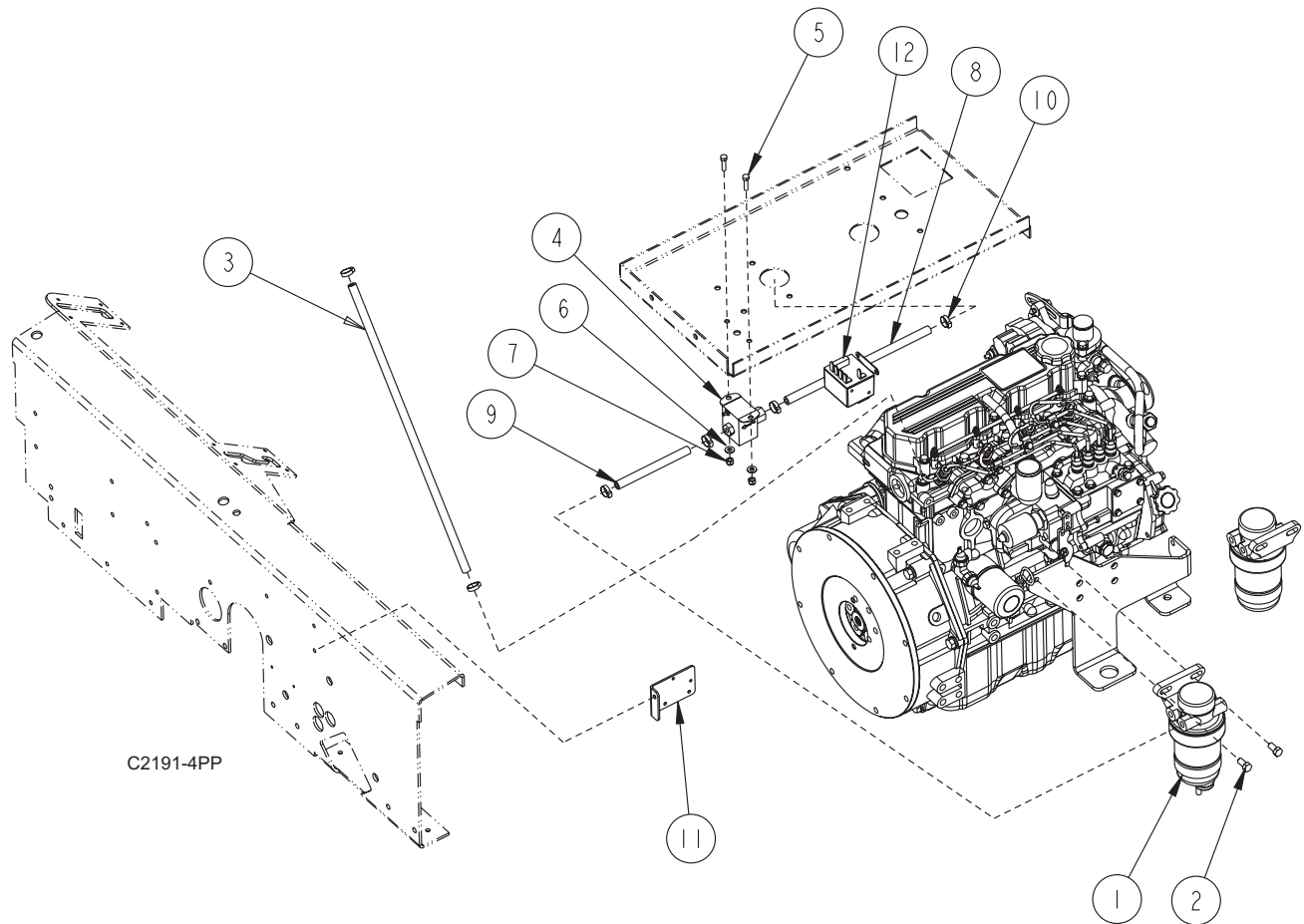


C2191-5/2-04

KEY NO.	PART NUMBER	DESCRIPTION	QTY.
1	8-87-02120	Tube, Exhaust	1
2	7-49-00043	Muffler	1
3	7-13-07075	Clamp, Muffler (1.50)	1
4	8-87-02123	Tube, Exhaust	1
5	2-00-04040	Clamp, Muffler (1.25)	1
6	7-31-07033	Hanger, Muffler	1

C2191-5/2-04

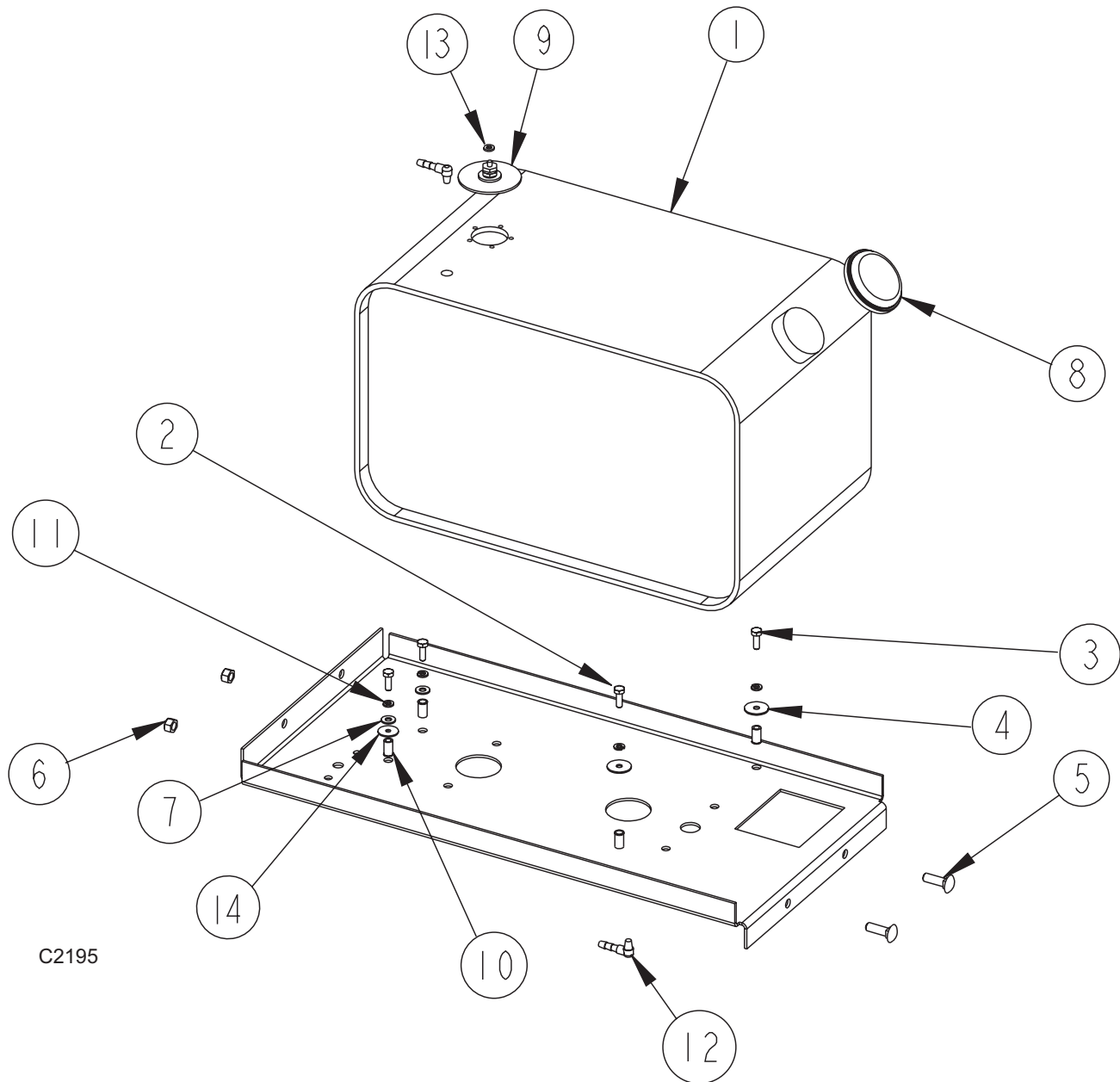
MITSUBISHI S4L2 DIESEL ENGINE (FUEL SYSTEM)



KEY NO.	PART NUMBER	DESCRIPTION	QTY.
1	7-24-04078	Filter, Diesel Fuel	1
2	2-00-00232	Bolt, 3/8-16 Fin. Hex Head	2
3	8-33-02145	Hose, Fuel (22")	1
4	8-60-05028	Pump, Fuel	1
5	2-00-00205	Bolt, 1/4-20 Fin. Hex Head	2
6	2-00-03702	Washer, .625 x .281 x .063	2
7	2-00-00641	Nut, 1/4-20 Fiber Insert	2
8	8-33-02386	Hose, Fuel	1
9	8-33-02387	Hose, Fuel	1
10	2-95-04388	Clamp, Hose	6
11	8-08-00936	Bracket, Murphy	1
12	7-64-00040	Relay, Murphy	1

C2191-4PP/6-04

FUEL TANK (GAS & DIESEL)

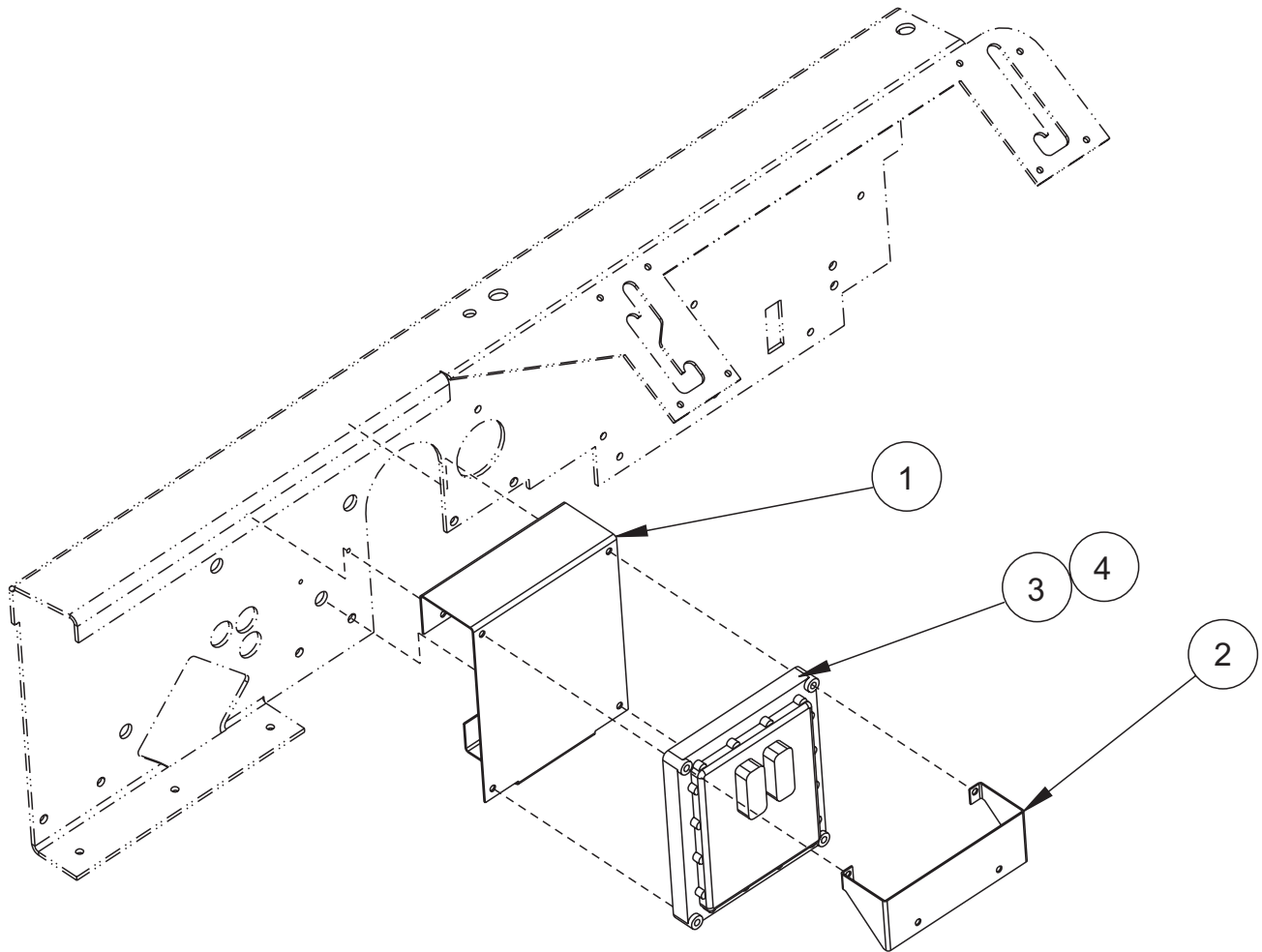


C2195

<u>KEY NO.</u>	<u>PART NUMBER</u>	<u>DESCRIPTION</u>	<u>QTY.</u>
1	8-83-04029	Gas Tank	1
2	8-08-00791	Fuel Support Bracket	1
3	2-00-00221	Screw, 1/4-20 x .750 HHC	7
4	2-00-01676	Flat Washer, 1.062 x .265 x .062	2
5	2-00-05187	Carriage Bolt, 3/8-16 x 1.250	2
6	2-95-04182	Nut, Fiber Insert	2
7	2-00-03702	Washer, .625 x .281 x .063	5
8	7-11-00029	Cap	1
9	8-26-04003	Float/Sender	1
10	2-00-05261	Insert, 1/4-20	4
11	2-00-00518	Lock Washer, 1/4"	4
12	2-00-05973	Hose Barb, 1/8 NPT x 5/16 90° Elbow	2
13	2-00-00512	Star Washer	1
14	2-00-03829	Lock Washer, 3/8 Int./Ext. Tooth	1

C2195/6-04

FORD 416EFI ENGINE COMPUTER RELAY BOX (GAS & LP)



<u>KEY NO.</u>	<u>PART NUMBER</u>	<u>DESCRIPTION</u>	<u>QTY.</u>
1	8-08-00926	Bracket, EPM	1
2	8-08-00927	Bracket, Relay Box	1
3	0769-031	EPM w/Calibration (N. America)	1
4	0769-032	EPM w/Calibration (Export)	1

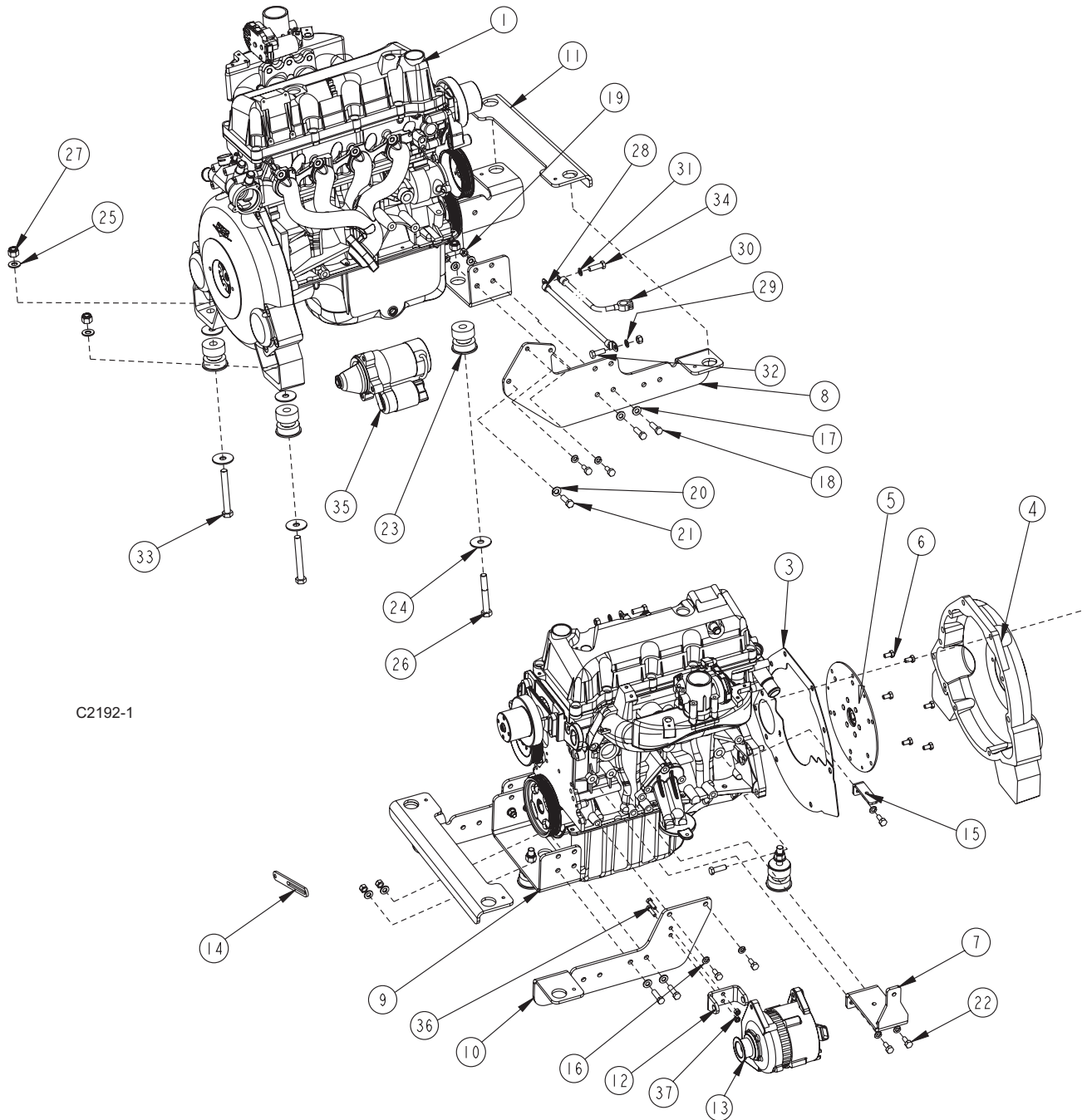
C2192/9-04

FORD 416EFI GAS & LP ENGINES (BRACKETS, ALTERNATOR, STARTER)

<u>KEY NO.</u>	<u>PART NUMBER</u>	<u>DESCRIPTION</u>	<u>QTY.</u>
1	0777-047	Engine, 416EFI Gas	1
	0777-048	Engine, 416EFI LP	1
2	0777-058	Engine, 416EFI Gas (Export Only)	1
	0777-059	Engine, 416EFI LP (Export Only)	1
3<	7-58-05338	Plate, Starter	Ref
4<	7-33-05145	Housing, Pump Mount	Ref
5<	7-16-05047	Coupling, Engine/Pump	Ref
6	2-00-05963	Screw, M8 x 1.25 x 15mm 8.8 Blox HHC	6
7	7-08-01185	Bracket, Tube Support Front	1
8	7-08-01179	Bracket, Right Front Leg (Gas)	1
	7-08-01255	Bracket, Right Front Leg (LP)	1
9	7-08-01182	Bracket, Cross	1
10	7-08-01180	Bracket, Left Front Leg (Gas)	1
	7-08-01256	Bracket, Left Front Leg (LP)	1
11	7-08-01181	Bracket, Cross	1
12	7-08-01183	Bracket, Alternator	1
13<	0775-292	Alternator Assy.	1
14	7-03-04254	Arm, Alternator	1
15	7-08-01186	Bracket, Tube Support Back	1
16	2-00-05041	Lock Washer, M8 Helical Spring	7
17	2-00-00402	Washer, 25/64 ID x 3/4 OD	8
18	2-00-00209	Bolt, 3/8-16 x 1.25 Hex Head	4
19	2-95-04182	Nut, 3/8-16 Hex Stop	5
20	2-00-05042	Lock Washer, M10 Helical Spring	1
21	2-00-05922	Bolt, M10-1.5 x 30mm Hex Head	1
22	2-00-04363	Screw, M8 x 1.25 x 20mm	7
23	7-35-00017	Isolator, Engine Mount (Red Dot)	3
24	2-00-05067	Spacer, Snubbing Washer	5
25	2-00-00405	Flat Washer, 1.063 x .531 x .094	2
26	2-00-02618	Bolt, 1/2-13 x 3.5 Hex	1
27	2-00-04936	Nut, 1/2-13 Elastic Lock	3
28	8-90-07328	Wire (Ground to Frame)	1
29	2-00-00505	Lock Washer, 7/16 HS Med.	1
30	7-90-07281	Cable, Battery	1
31	2-00-02310	Lock Washer, 3/8 Helical Spring	1
32	2-00-00233	Bolt, 3/8-16 x 1.00 Fin. Hex Head	1
33	2-00-04816	Bolt, 1/2-13 x 4.0 Hex	2
34	2-00-05005	Screw, M10 x 1.5 x 30mm HHC	4
35<	0775-291	Starter Assy.	1
36	2-00-00205	Bolt, 1/4-20 Fin. Hex Head	2
37	2-00-00641	Nut, 1/4-20 Fiber Insert	2

<Comes with Engine Assy.

FORD 416EFI GAS & LP ENGINES (BRACKETS, ALTERNATOR, STARTER)



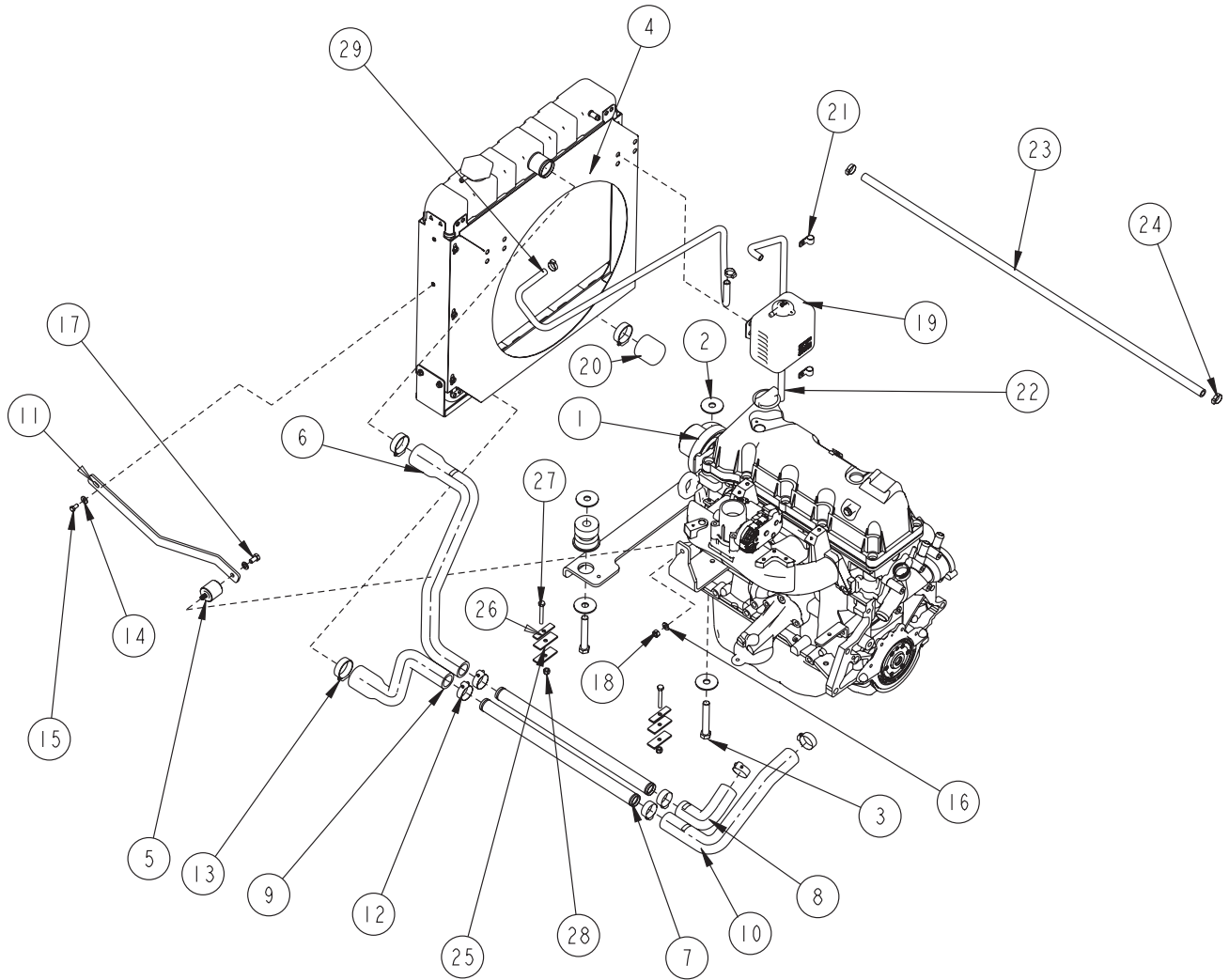
C2192-1

FORD 416EFI GAS ENGINE - COOLING SYSTEM

<u>KEY NO.</u>	<u>PART NUMBER</u>	<u>DESCRIPTION</u>	<u>QTY.</u>
1	7-35-00017	Isolator, Engine Mount (Red Dot)	2
2	2-00-05067	Spacer, Snubbing Washer	4
3	2-00-02617	Screw, 1/2-13 x 3.5	2
4	7-62-01008	Radiator	1
5	7-35-00028	Isolator, M8-1.25, 32 x 32	1
6	7-33-02610	Hose, Front, 25 ID, 20R4, 23000072T	1
7	7-87-02930	Connector, 410.0 x 25.40 dia. Straight	2
8	7-33-02612	Hose, Back, 27 ID, 20R4, 23000057T	1
9	7-33-02609	Hose, Front, 25 ID, 20R4, 23000072B	1
10	7-33-02611	Hose, Back, 27 ID, 20R4, 23000057B	1
11	7-08-01184	Support, Upper	1
12	2-00-02220	Clamp, Hose	6
13	2-00-03404	Clamp	3
14	2-00-03702	Washer, .625 x .281 x .063	1
15	2-00-00219	Bolt, 1/4-20 Fin. Hex Head	1
16	2-00-05041	Lock Washer, M8 Helical Spring	2
17	2-00-05963	Screw, M8 x 1.25 x 15mm 8.8 Blox HHC	1
18	2-00-05964	Nut, M8 x 1.25	1
19	7-07-02002	Overflow Bottle Assy. (1 liter)	1
20	2-00-05956	Plug, Radiator Outlet	1
21	2-00-04602	Clamp	2
22	7-33-02644	Hose, 1/4" ID x 24" long (Clear)	1
23	7-33-02655	Hose, Vent (Radiator to Engine)	1
24	2-95-04388	Clamp, Hose	4
25	7-29-00192	Gasket, Oil Cooler	4
26	8-13-07088	Clip	2
27	2-00-02589	Bolt, 1/4-20 x 2.0 Fin. Hex Head	2
28	2-00-00641	Nut, 1/4-20 Fiber Insert	2
29	7-33-02643	Hose, 1/4" ID x 36" long (Black)	1

C2192-4PP/6-04

FORD 416EFI GAS ENGINE - COOLING SYSTEM



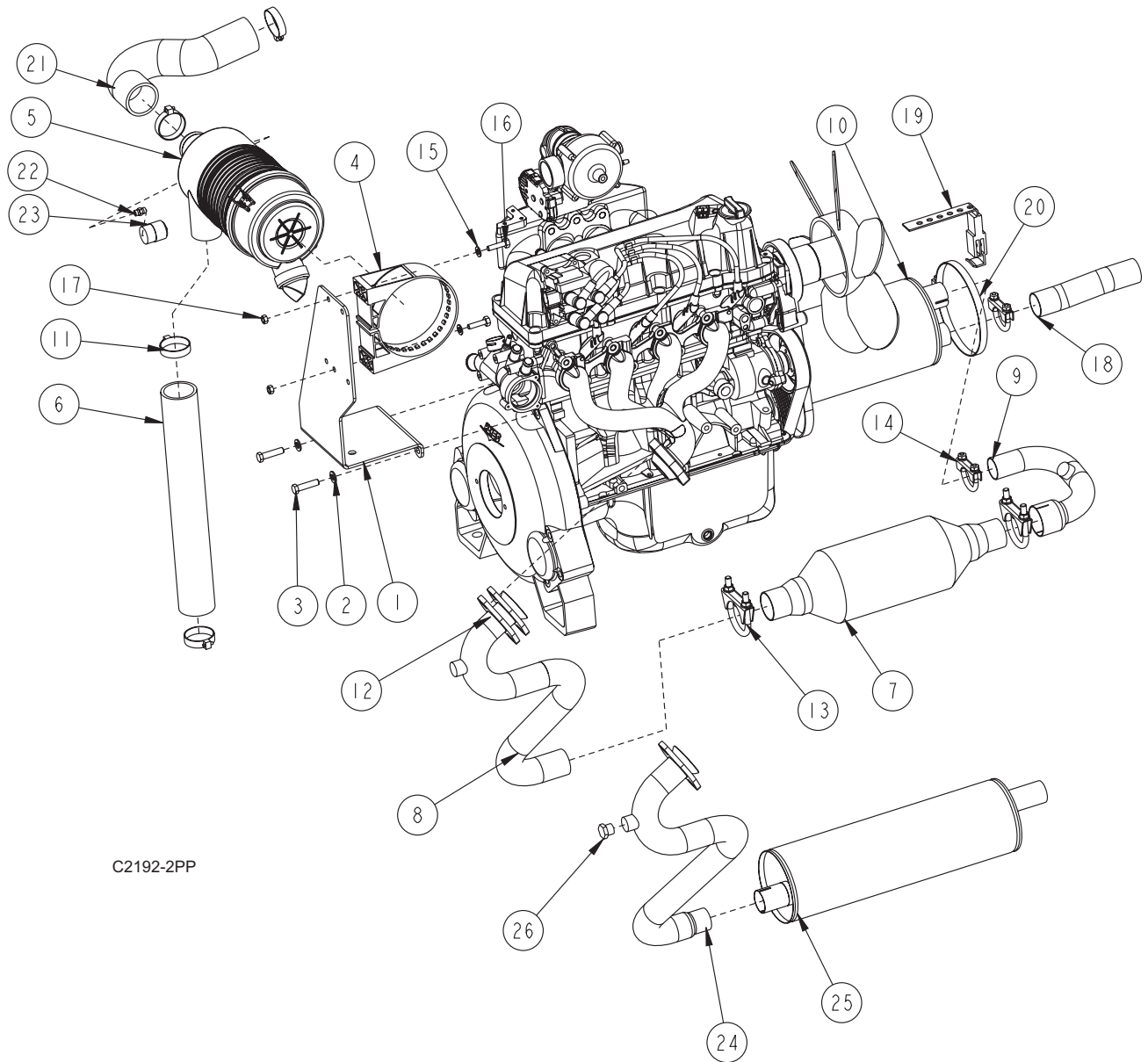
FORD 416EFI GAS ENGINE - AIR INTAKE & EXHAUST SYSTEMS

<u>KEY NO.</u>	<u>PART NUMBER</u>	<u>DESCRIPTION</u>	<u>QTY.</u>
1	7-08-02051	Bracket, Air Cleaner	1
2	2-00-05042	Lock Washer, M10 Helical Spring	2
3	2-00-05329	Bolt, .39 dia. x 1.57	2
4	7-13-07231	Band, Filter	1
5	7-24-04083	Filter Assy., Air Cleaner	1
6	8-33-02398	Hose, Air Intake	1
7<~	7-11-04037	Catalytic Converter	1
8<	7-87-02223	Tube, Exhaust	1
9<	7-87-02222	Tube, Exhaust	1
10<	7-49-00041	Muffler	1
11	7-33-02607	Hose, Air Intake	1
12	2-00-02216	Clamp, Hose	4
13	7-58-05340	Plate, Exhaust Flange	1
14	2-00-05970	Clamp, Muffler, 2"	2
15	2-00-04040	Clamp, Muffler, 1.25"	2
16	2-00-00409	Flat Washer, .687 x .344 x .062	2
17	2-00-00207	Screw, 5/16-18 x 1.25 Hex Head	2
18	2-00-00644	Nut, 5/16-18 Fiber Insert Hex	2
19<	8-87-02122	Tube, Exhaust	1
20	7-31-07033	Hanger, Muffler	1
21	2-00-04400	Clamp	1
22	2-95-02519	Nipple, 1/8 NPT Closed	1
23	7-24-04087	Filter Service Indicator (20" WC)	1
24*	8-87-02124	Tube, Exhaust	1
25*	7-49-00031	Muffler	1
26	2-00-06090	Plug, 18mm x 1.5	1

<North American Only
 *Export Only
 ~Comes with Engine Assy.

C2192-2PP/7-04

FORD 416EFI GAS ENGINE - AIR INTAKE & EXHAUST SYSTEMS



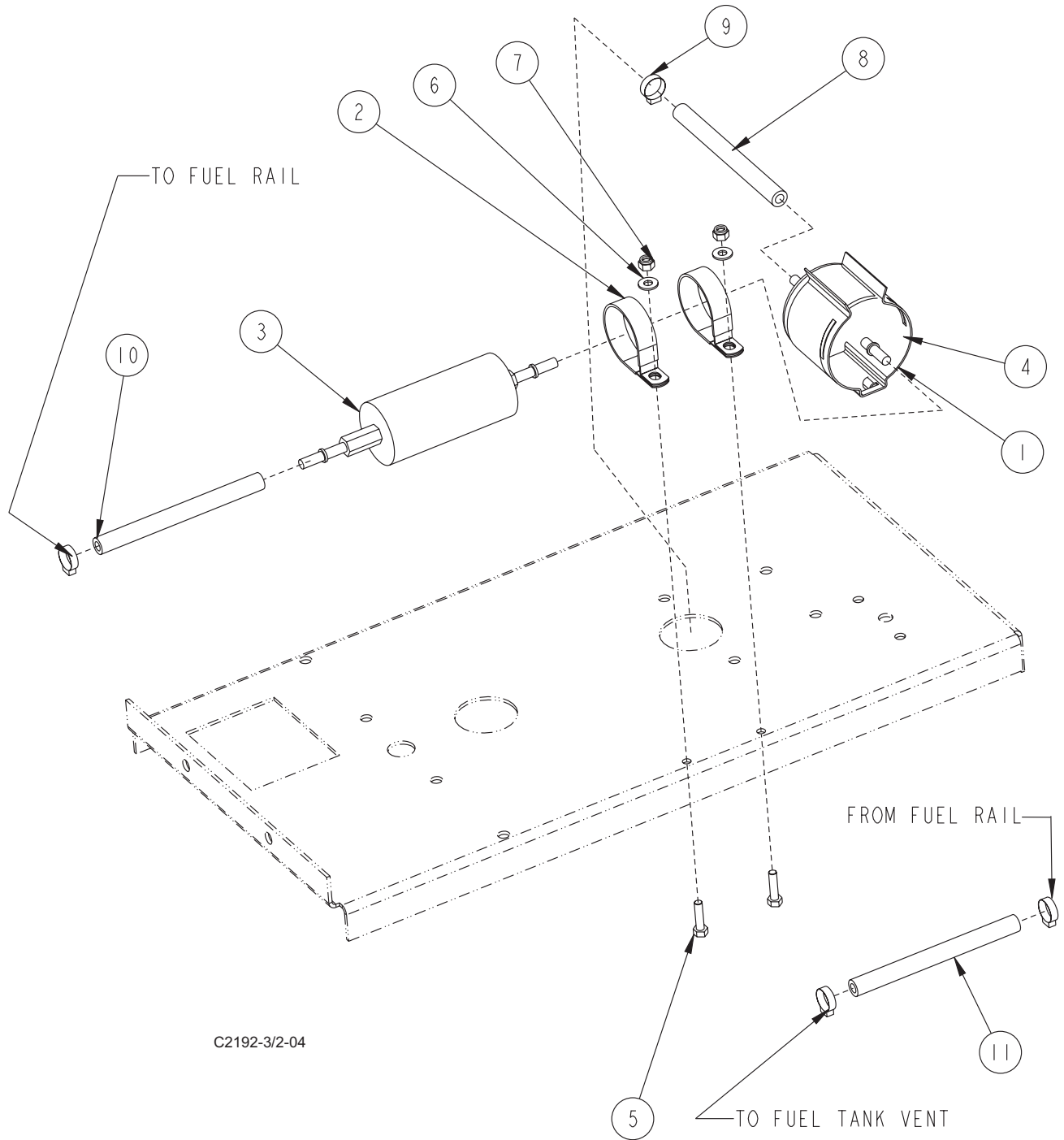
C2192-2PP

FORD 416EFI GAS ENGINE - FUEL SYSTEM

<u>KEY NO.</u>	<u>PART NUMBER</u>	<u>DESCRIPTION</u>	<u>QTY.</u>
1	7-08-01188	Bracket, Fuel Filter	1
2	7-08-01187	Bracket, Fuel Pump	2
3	0769-030	Pump, Fuel	1
4	7-24-04067	Filter, Fuel	1
5	2-00-00205	Bolt, 1/4-20 Fin. Hex Head	2
6	2-00-03702	Washer, .625 x .281 x .063	2
7	2-00-00641	Nut, 1/4-20 Fiber Insert	2
8	8-33-02386	Hose, Fuel	1
9	2-95-04388	Clamp, Hose	4
10	8-33-02388	Hose, Fuel	1
11	8-33-02389	Hose, Fuel	1

C2192-3/2-04

FORD 416EFI GAS ENGINE - FUEL SYSTEM



FORD 416EFI LP ENGINE - FUEL SYSTEM (N. AMERICA & "EX" MODELS)

<u>KEY NO.</u>	<u>PART NUMBER</u>	<u>DESCRIPTION</u>	<u>QTY.</u>
1	8-08-00944	Bracket, LP Regulator	1
2<~	7-11-04043	LP Regulator	Ref
3	2-00-05972	Fitting, 3/8 NPT x 5/8 90° Hose	2
4	2-00-05674	Fitting, 1/4 NPT Hex Nipple (Brass)	1
5<~	7-88-00110	Valve, LP Safety	Ref
6	2-00-05678	Fitting, 1/4 NPT 90° Street Elbow Brass	1
7	2-00-05942	Fitting, 1/4 NPT x 1/8 NPT x 3/8 JIC TEE	1
8	8-82-00046	Switch, Oil Pressure	1
9<~	7-11-04052	Megajector	Ref
10	8-33-02390	Hose, 5/8 ID Heater (55")	1
11	8-33-02391	Hose, 5/8 ID Heater (54")	1
12<	8-33-02392	Hose, 3/4" ID x 15.6" LP Low Pressure	1
13<	8-33-02393	Hose, 5/8" ID x 34.8" LP Low Pressure	1
14<	8-33-02394	Hose, 1/4" ID x 45" LP Low Pressure	1
15<	2-00-00518	Lock Washer, 1/4 Helical Spring	4
16	2-00-00219	Bolt, 1/4-20 Fin. Hex Head	4
17	2-00-00519	Lock Washer, #10-24 Helical Spring	2
18	2-00-00049	Screw, 10-24 x .50 RHM	2
19	2-00-03407	Clamp, Wittek #10P Hose	4
20	2-95-04388	Clamp, Hose	4
21~	7-33-02654	Hose, LP High Pressure (19.25")	Ref
22*~	7-11-04046	LP Regulator	Ref
23*	8-33-02402	Hose, 5/8" ID LP Low Pressure (36")	1
24*	7-33-02647	Hose, 1/4" ID Vapor (44")	1
25*	2-00-06085	Fitting, 3/8 NPT x 5/8 Hose 90° Elbow	1
26	2-00-06000	Fitting, 1/2 NPT x 3/4 Barb Str.	1
27*	2-00-06087	Fitting, 1/2 NPT x Hose Barb 90° Elbow	1
28*~	F48	Fitting, 1/8 NPT x 1/4 Hose 90° Elbow	Ref

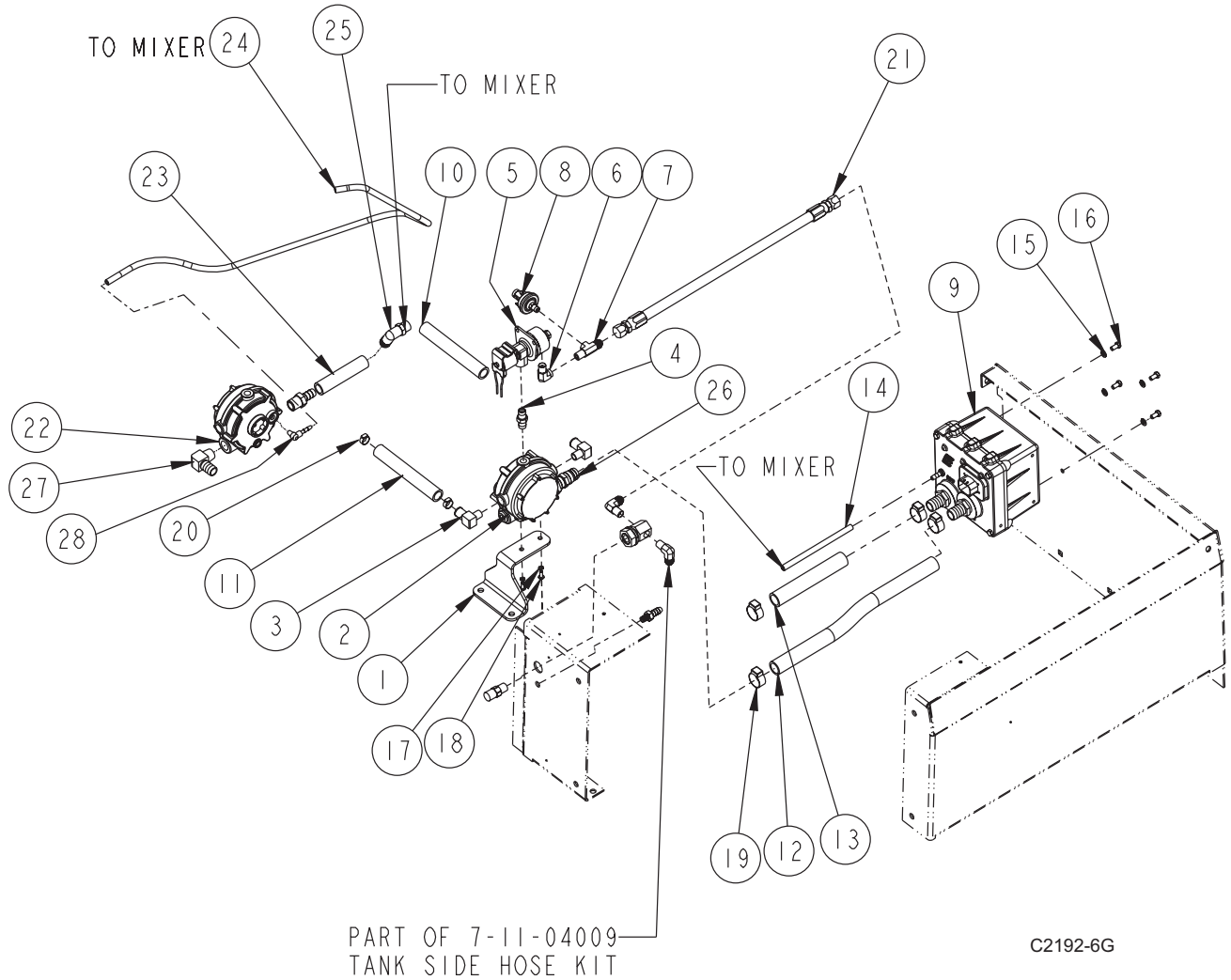
< North America Only

*EX Models Only

~Comes w/Engine Assembly

C2192-6G/9-04

FORD 416EFI LP ENGINE - FUEL SYSTEM (N. AMERICA & "EX" MODELS)

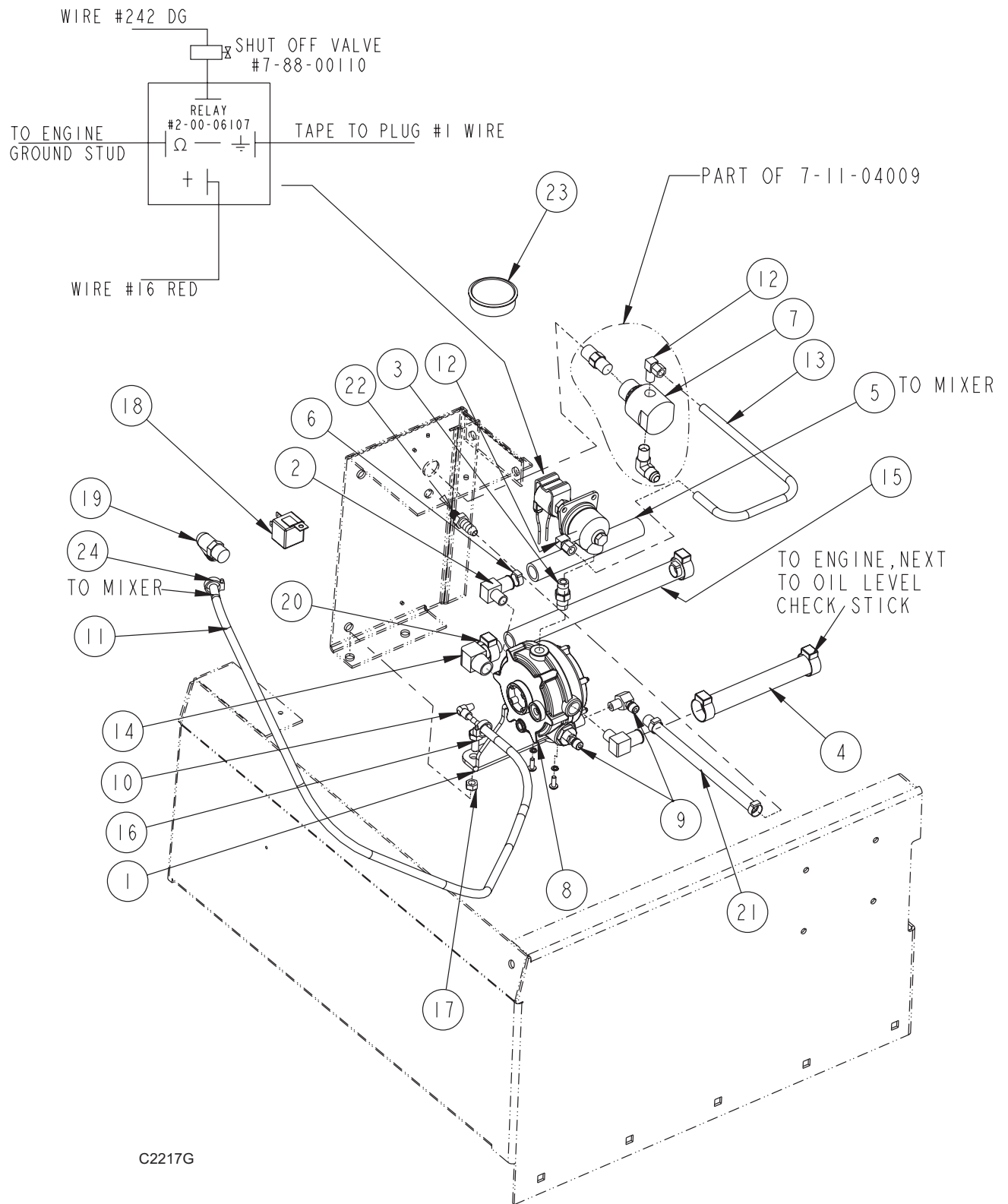


FORD 416EFI LP ENGINE - FUEL SYSTEM ("CE" MODELS)

<u>KEY NO.</u>	<u>PART NUMBER</u>	<u>DESCRIPTION</u>	<u>QTY.</u>
1	8-08-00944	Bracket, LP Regulator	1
2	2-00-05972	Fitting, 3/8 NPT x 5/8 90° Hose	2
3	2-00-05674	Fitting, 1/4 NPT Hex Nipple (Brass)	1
4	8-33-02390	Hose, 5/8" ID Heater (55")	1
5	8-33-02391	Hose, 5/8" ID Heater (54")	1
6	2-95-04388	Clamp, Hose	4
7<	2-00-06093	Fitting, 1/4 NPT 3-way Bulkhead	Ref
8<	7-11-04046	LP Regulator	Ref
9	7-88-00117	Valve Kit, LP Safety	Ref
10<	2-00-04787	Fitting, 1/8 NPT x 1/4 Hose Barb 90° Elbow	1
11	7-33-02647	Hose, 1/4" ID Vapor (44")	1
12	2-00-06099	Fitting, 3/8 Tube x 1/4 NPT 90° Elbow (SS)	2
13	8-87-02126	Tubing, LP High Pressure	1
14<	2-00-06087	Fitting, 1/2 NPT x 5/8 90° Hose	1
15	7-33-02677	Hose, 5/8 ID LP Low Pressure (36")	1
16	2-00-00208	Screw, 5/16-18 x .75 HHC	2
17	2-00-00644	Nut, 5/16-18 Fiber Insert Hex	2
18	2-00-06107	Relay, Lektron Safety	1
19	2-00-06085	Fitting, 3/8 NPT x 5/8 90° Elbow Hose	1
20	2-00-03407	Clamp, Wittek #10P Hose	4
21	7-33-02652	Hose, LP (34")	1
22<	2-00-05997	Fitting, 3/8 Hose Barb x 1/8 NPT	Ref
23	2-00-05281	Plug, Fuel Gauge	1
24	2-00-05363	Clamp, Hose	2

<Comes w/Engine Assembly

C2217G/9-04

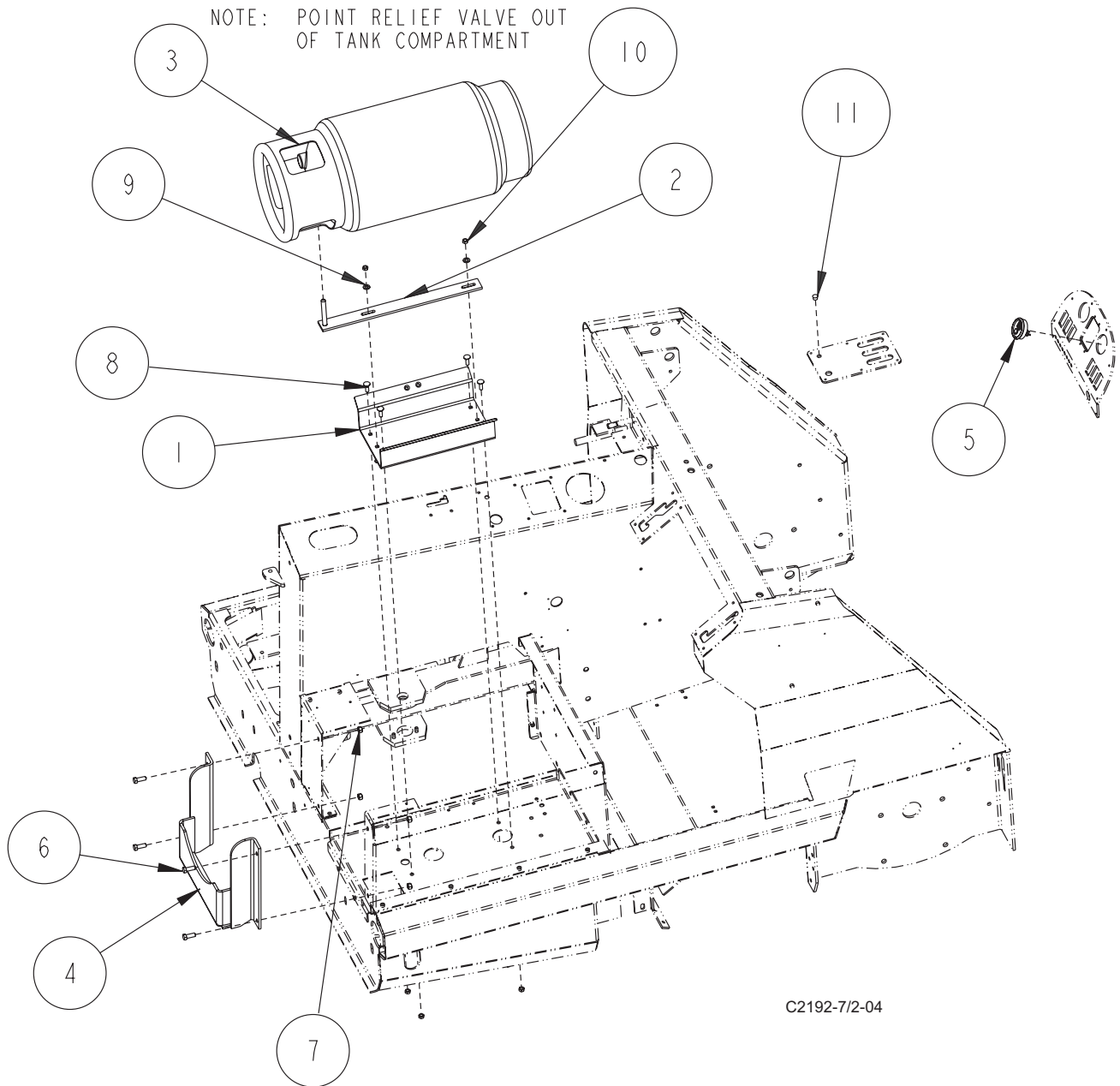


C2217G

LP TANK

<u>KEY NO.</u>	<u>PART NUMBER</u>	<u>DESCRIPTION</u>	<u>QTY.</u>
1	8-08-00813	Bracket, LP Tank	1
2	8-43-05005	Pin, LP Tank Locate	1
3	8-83-04016	LP Tank	1
4	8-30-05171	Guard, LP Tank	1
5	7-11-04035	Kit, Low LP Indicator	1
6	2-00-00233	Bolt, 3/8-18 x 1.00 Fin. Hex Head	4
7	2-95-04182	Nut, 3/8-16 Hex Stop	4
8	2-00-00196	Carriage Bolt, .31-18 x 1.00	6
9	2-00-00409	Flat Washer, .687 x .344 x .062	2
10	2-00-00644	Nut, 5/16-18 Insert Fiber Hex	6
11	2-00-05283	Plug Button	1

C2192-7/2-04



C2192-7/2-04

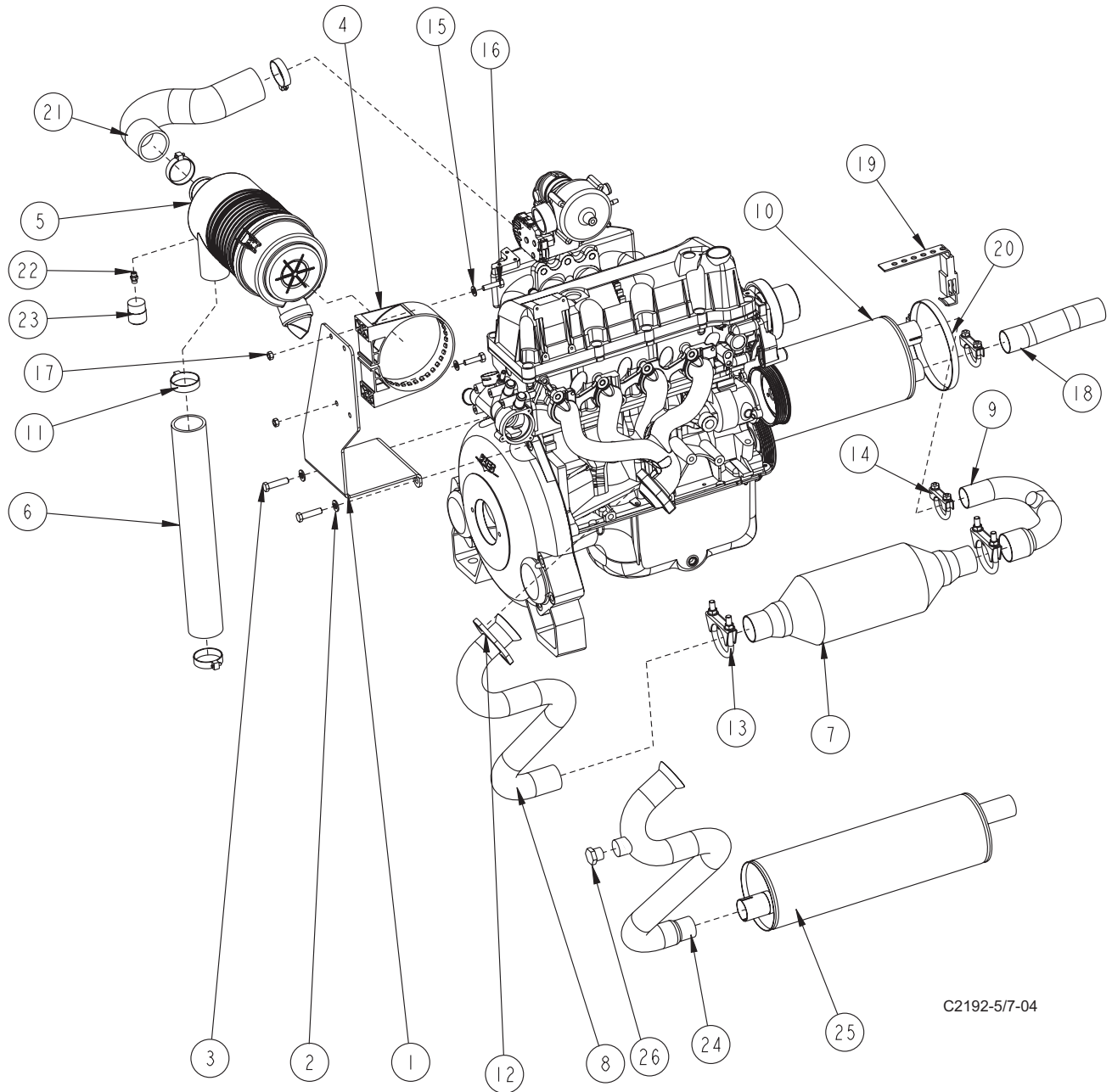
FORD 416EFI LP ENGINE - AIR INTAKE & EXHAUST SYSTEMS

<u>KEY NO.</u>	<u>PART NUMBER</u>	<u>DESCRIPTION</u>	<u>QTY.</u>
1	7-08-02051	Bracket, Air Cleaner	1
2	2-00-05042	Lock Washer, M10 Helical Spring	2
3	2-00-05329	Bolt, .39 dia. x 1.57	2
4	7-13-07231	Band, Filter	1
5	7-24-04083	Filter Assy., Air Cleaner	1
6	8-33-02398	Hose, Air Intake	1
7<~	7-11-04037	Catalytic Converter	1
8<	7-87-02223	Tube, Exhaust	1
9<	7-87-02222	Tube, Exhaust	1
10<	7-49-00041	Muffler	1
11	2-00-02216	Clamp, Hose	4
12	7-58-05340	Plate, Exhaust Flange	1
13	2-00-05970	Clamp, Muffler, 2"	2
14	2-00-04040	Clamp, Muffler, 1.25"	2
15	2-00-00409	Flat Washer, .687 x .344 x .062	2
16	2-00-00207	Screw, 5/16-18 x 1.25 Hex Head	2
17	2-00-00644	Nut, 5/16-18 Fiber Insert Hex	2
18<	8-87-02122	Tube, Exhaust	1
19	7-31-07033	Hanger, Muffler	1
20	2-00-04400	Clamp	1
21	8-33-02395	Hose, Air Intake	1
22	2-95-02519	Nipple, 1/8 NPT Closed	1
23	7-24-04087	Filter Service Indicator (20" WC)	1
24*	8-87-02124	Tube, Exhaust	1
25*	7-49-00031	Muffler	1
26	2-00-06090	Plug, 18mm x 1.5	1

<North American Only
 *Export Only
 ~Comes with Engine Assy.

C2192-5/7-04

FORD 416EFI LP ENGINE - AIR INTAKE & EXHAUST SYSTEMS



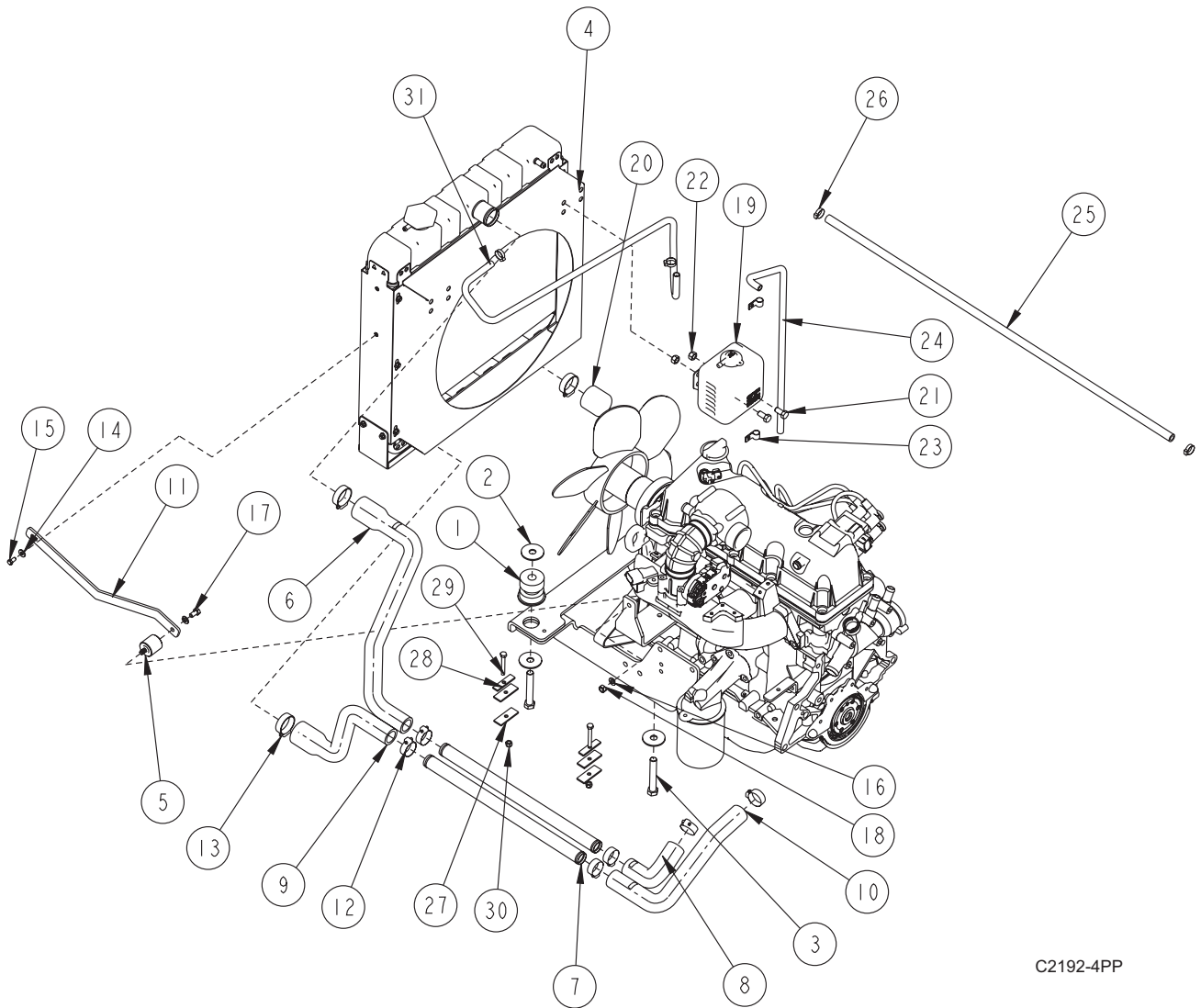
C2192-5/7-04

FORD 416EFI LP ENGINE - COOLING SYSTEM

<u>KEY NO.</u>	<u>PART NUMBER</u>	<u>DESCRIPTION</u>	<u>QTY.</u>
1	7-35-00017	Isolator, Engine Mount (Red Dot)	2
2	2-00-05067	Spacer, Snubbing Washer	4
3	2-00-02617	Screw, 1/2-13 x 3.5	2
4	7-62-01008	Radiator	1
5	7-35-00028	Isolator, M8-1.25, 32 x 32	1
6	7-33-02610	Hose, Front, 25 ID, 20R4, 23000072T	1
7	7-87-02930	Connector, 410.0 x 25.40 dia. Straight	2
8	7-33-02612	Hose, Back, 27 ID, 20R4, 23000057T	1
9	7-33-02609	Hose, Front, 25 ID, 20R4, 23000072B	1
10	7-33-02611	Hose, Back, 27 ID, 20R4, 23000057B	1
11	7-08-01184	Support, Upper	1
12	2-00-02220	Clamp, Hose	6
13	2-00-03404	Clamp	3
14	2-00-03702	Washer, .625 x .281 x .063	1
15	2-00-00220	Bolt, 1/4-20 Fin. Hex Head	1
16	2-00-05041	Lock Washer, M8 Helical Spring	2
17	2-00-05963	Screw, M8 x 1.25 x 15mm 8.8 Blox HHC	1
18	2-00-05964	Nut, M8 x 1.25	1
19	7-07-02002	Overflow Bottle Assy. (1 liter)	1
20	2-00-05956	Plug, Radiator Outlet	1
21	2-00-00232	Bolt, 3/8-16 x .75 HHC	2
22	2-95-04182	Nut, 3/8-16 Hex Stop	2
23	2-00-04602	Clamp	2
24	7-33-02644	Hose, 1/4" ID x 24" long (Clear)	1
25	7-33-02655	Hose, Vent (Radiator to Engine)	1
26	2-95-04388	Clamp, Hose	4
27	7-29-00192	Gasket, Oil Cooler	4
28	8-13-07088	Clip	2
29	2-00-02589	Bolt, 1/4-20 Fin. Hex Head	2
30	2-00-00641	Nut, 1/4-20 Fiber Insert	2
31	7-33-02643	Hose, 1/4" ID x 36" long (Black)	1

C2192-4PP/6-04

FORD 416EFI LP ENGINE - COOLING SYSTEM

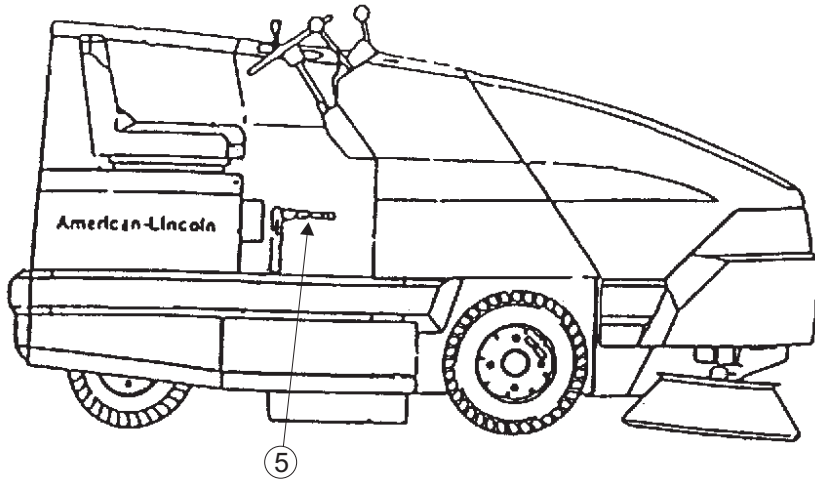


C2192-4PP

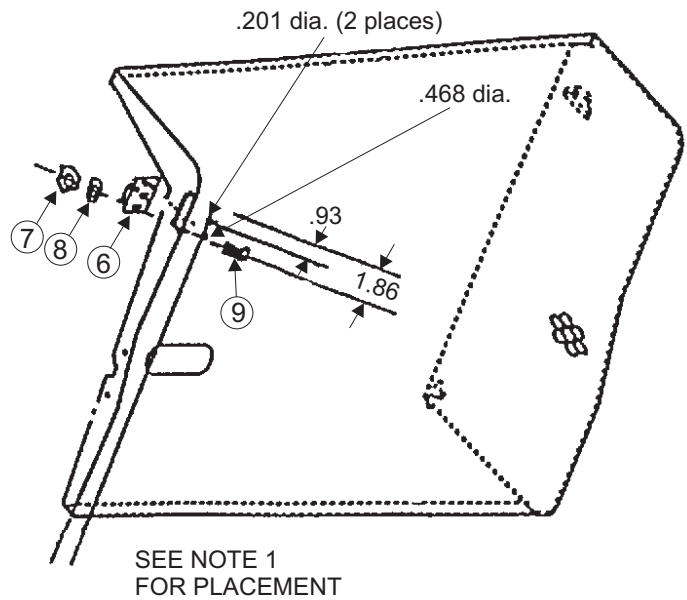
CE KIT

<u>KEY NO.</u>	<u>PART NUMBER</u>	<u>DESCRIPTION</u>	<u>QTY.</u>
1	8-79-00030	Static Strap	1
2	0880-593	Back-up Alarm (see Options)	1
3	8-41-05087	Latch (placement shown)	1
4	8-50-00016	CE Serial Plate (see decals)	1
5	7-41-05099	Brake Handle (replaces 7-41-05083)	1
6	8-31-06090	Latch Key	2
7	2-00-01246	Insert, #10-24 Thin Nylon	2
8	2-00-00426	Flat Washer, .500 x .219 x .063	2
9	2-00-03062	Screw, #10-24 x.063 THM	2
10	2-00-02310	Lock Washer, Helical Spring	2
11	2-00-02360	Nut, .38-16 Fin. Hex	1
12	2-00-00233	Screw, .375 x 1.00	1
13	2-00-00402	Flat Washer, .375 x .391 x .093	1
14	2-00-03829	Lock Washer, Int./Ext/ Tooth	1

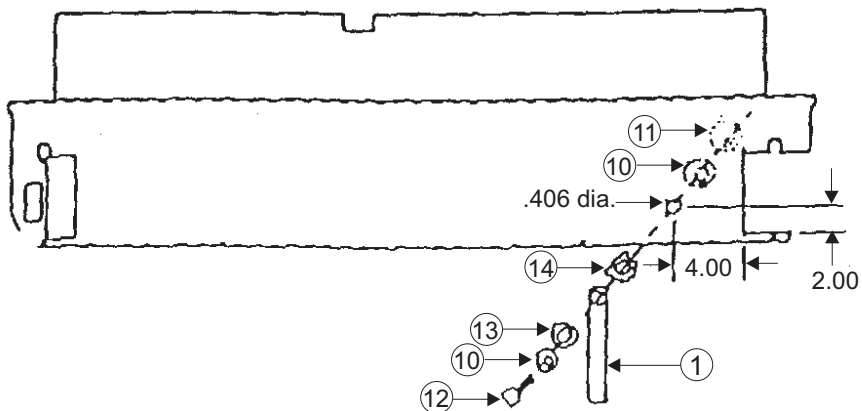
CE KIT/2-04



NOTE 1: POSITION HOLES WHERE LATCH CATCHES & HOLDS LENTEL BY AS MUCH AS POSSIBLE BUT NO LESS THAN 3/16".



BROOM CHAMBER



DECALS - PARTS LIST

<u>KEY NO.</u>	<u>PART NUMBER</u>	<u>DESCRIPTION</u>	<u>QTY.</u>
1*<	REF	ATF/Dextron Fluid Only	1
2	8-18-00490	Bi-Directional Pedal/horizontal	1
3~	8-18-00487	Blank Square-Option Covers	1
4<	REF	Gasoline Only	1
	REF	Diesel Fuel Only	1
5*<	REF	Do Not Use with Flammables	1
6*<	REF	Exhaust Warning (G, LP, D)	1
7*<	REF	Fire Hazard-Fuel Could Explode (G, D)	1
8<	REF	Moving Belts-Stay Clear (G, LP, D)	1
9<	REF	Moving Fan Blade-Stay Clear (G, LP, D)	1
10	8-18-00505	Throttle Lever (D)	1
11*<	REF	Patent/Patents Pending	1
12<	REF	Read Operator's Manual	1
13<	REF	Surface Hot-Stay Clear (G, LP, D)	1
14*<	REF	Turn Off-Lock Wheel	1
15<	REF	Cover/Hopper Could Close	3
16*<	REF	Split Rim (pneumatic tires)	3
17<	REF	Pinch Point-Stay Clear	6
18	8-18-00549	A-L Technology-small (Export Only)	1
19	8-18-00525	American-Lincoln (medium)	1
	8-18-00528	Alto (Export Only)	1
20	8-18-00524	American-Lincoln (small)	2
	8-18-00548	A-L Technology-large (Export Only)	1
21	8-18-00529	MPV- 60	1
22	REF	Serial Plate	1
23	7-50-05136	Non-Skid	3
24	8-50-05055	Non-Skid	1
25	2-00-04115	Rivets	2
26	8-18-00552	Check Engine (G, LP)	1

G=Gas LP=Liquid Petroleum D=Diesel

<English Text Warning and MPV-60 No-text Warning decals contained in kit: 0760-859

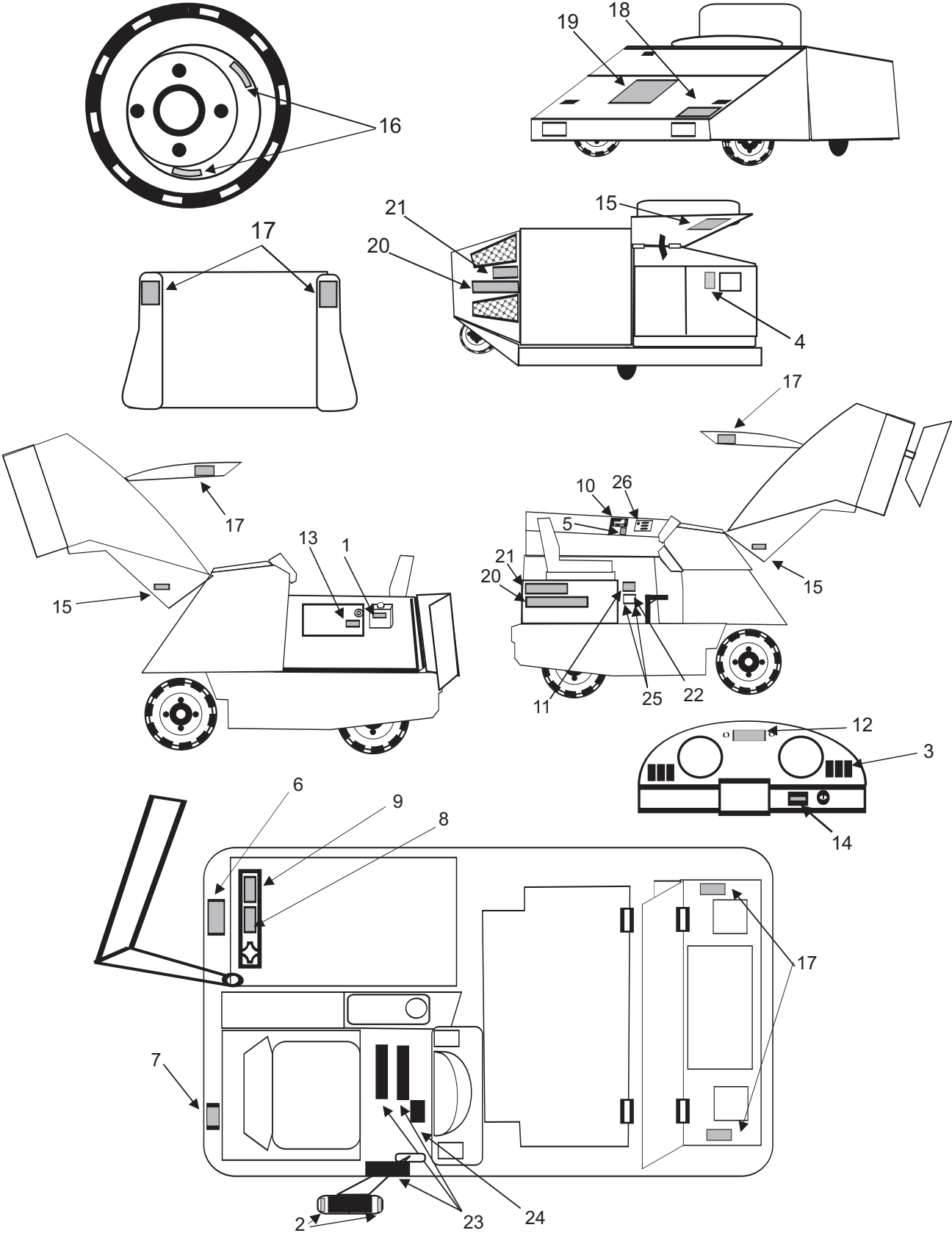
*ALL WARNING/SAFETY DECALS with TEXT SOLD IN A KIT BY LANGUAGE:

DANISH	0760-850	ITALIAN	0760-851
DUTCH	0760-849	FRENCH	0760-847
NORWEGIAN	0760-852	SPANISH	0760-846
SWEDISH	0760-853	PORTUGUESE	0760-854
GERMAN	0760-848		

~Can be ordered separately, but is included in 0760-859

C1440A/4-04

DECALS - EXPLODED VIEW



TOTAL STEEL PACKAGE - PARTS LIST

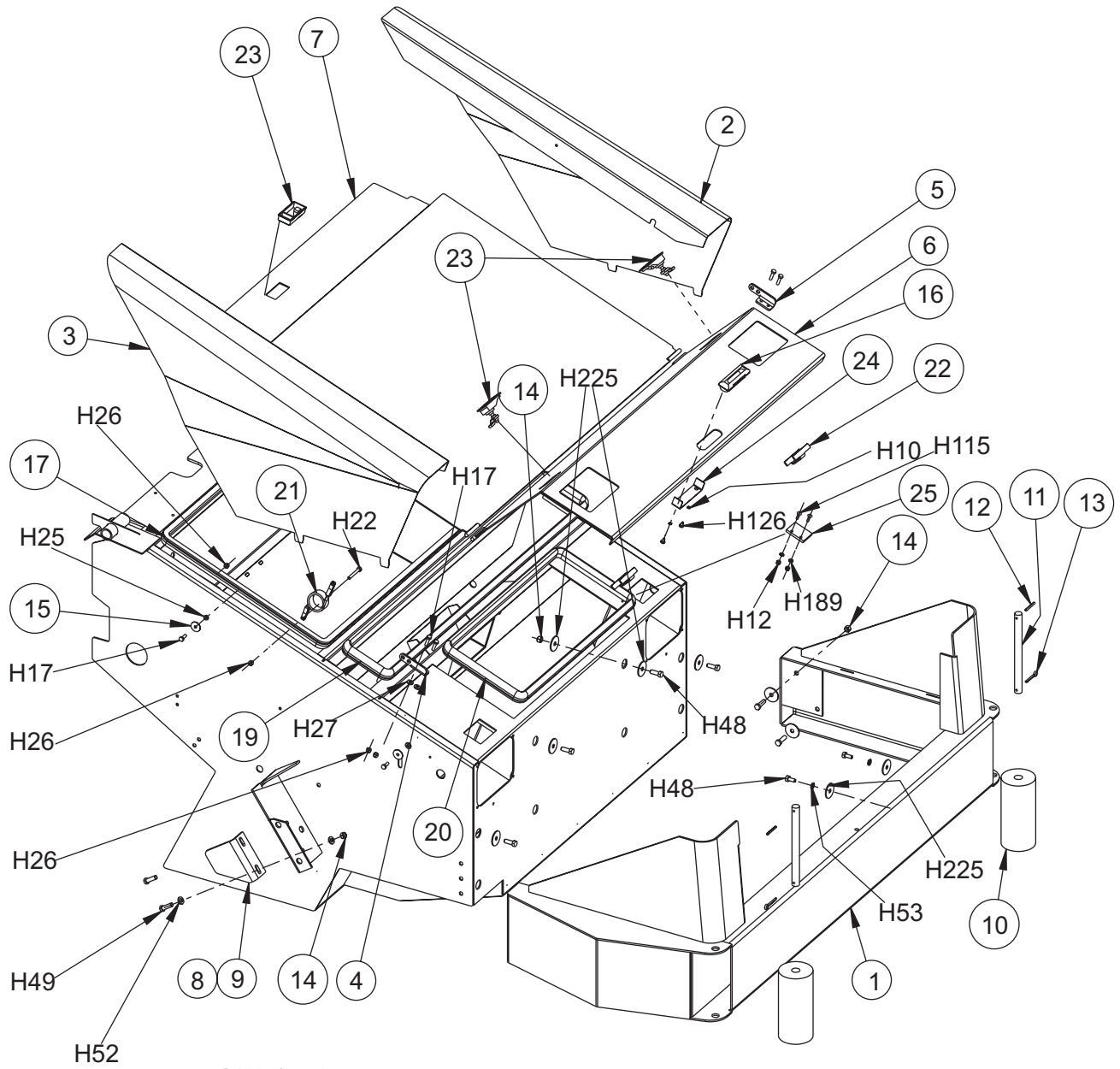
<u>KEY NO.</u>	<u>PART NUMBER</u>	<u>DESCRIPTION</u>	<u>QTY.</u>
1	8-08-07063	Bumper, Front	1
2	8-16-07378	Side Cover (LH)	1
3	8-16-07377	Side Cover (RH)	1
4	8-08-00850	Bracket (RH)	1
5	8-08-00851	Bracket (LH)	1
6	8-16-07402	Front Cover	1
7	8-16-07401	Top Cover	1
8	8-08-00852	Bracket, Bumper Guide (RH)	1
9	8-08-00853	Bracket, Bumper Guide (LH)	1
10	8-66-05013	Roller Bumper	2
11	8-70-05304	Pin, Roller Bumper	2
12	2-00-02444	Roll Pin, 3/16 x 1.750	2
13	2-00-02436	Cotter Pin	2
14	2-95-04182	Nut, Fiber	12
15	7-23-03092	Washer	4
16	8-31-06078	Handle	1
17	8-29-00240	Gasket	1
18			
19	8-29-00278	Gasket	1
20	8-29-00279	Gasket	1
21	8-10-00027	Cable	1
22	8-08-00886	Bracket-Latch	2
23	8-41-00040	Latch, Top Cover	3
24	8-79-00098	Strap, Handle	1
25	8-05-07091	Latch Bar	2

HARDWARE USED:

H10	2-00-00519	Lock Washer, # 10 Med. HS	2
H12	2-00-01246	Nut, Hex Fiber Insert #10-24	2
H17	2-00-00205	Screw, 1/4-20 x 1.000 HHC	8
H22	2-00-02589	Screw, 1/4-20 x 2.000 HHC	2
H25	2-00-00594	Nut, Hex 1/4-20 x .437 x .218	4
H26	2-00-00641	Nut, 1/4-20 Insert Fiber	8
H27	2-00-03702	Washer, .625 x .281 x .063	4
H48	2-00-00233	Screw, 3/8-16 x 1.000 HHC	12
H49	2-00-00209	Screw, 3/8-16 x 1.250 HHC	4
H52	2-00-00402	Flat Washer, .750 x .390 x .094	4
H53	2-00-02310	Lock Washer, Helical Spring 3/8 Med.	4
H115	2-00-03063	Screw, #10-24 x .750 THM	2
H126	2-00-03466	Screw, #10-16 x .500	2
H189	2-00-00460	Flat Washer, .437 x .192 x .031-s	2
H225	2-00-04851	Washer, Engine Mount	16

C-1167/9901

TOTAL STEEL PACKAGE - EXPLODED VIEW



C1167/9901

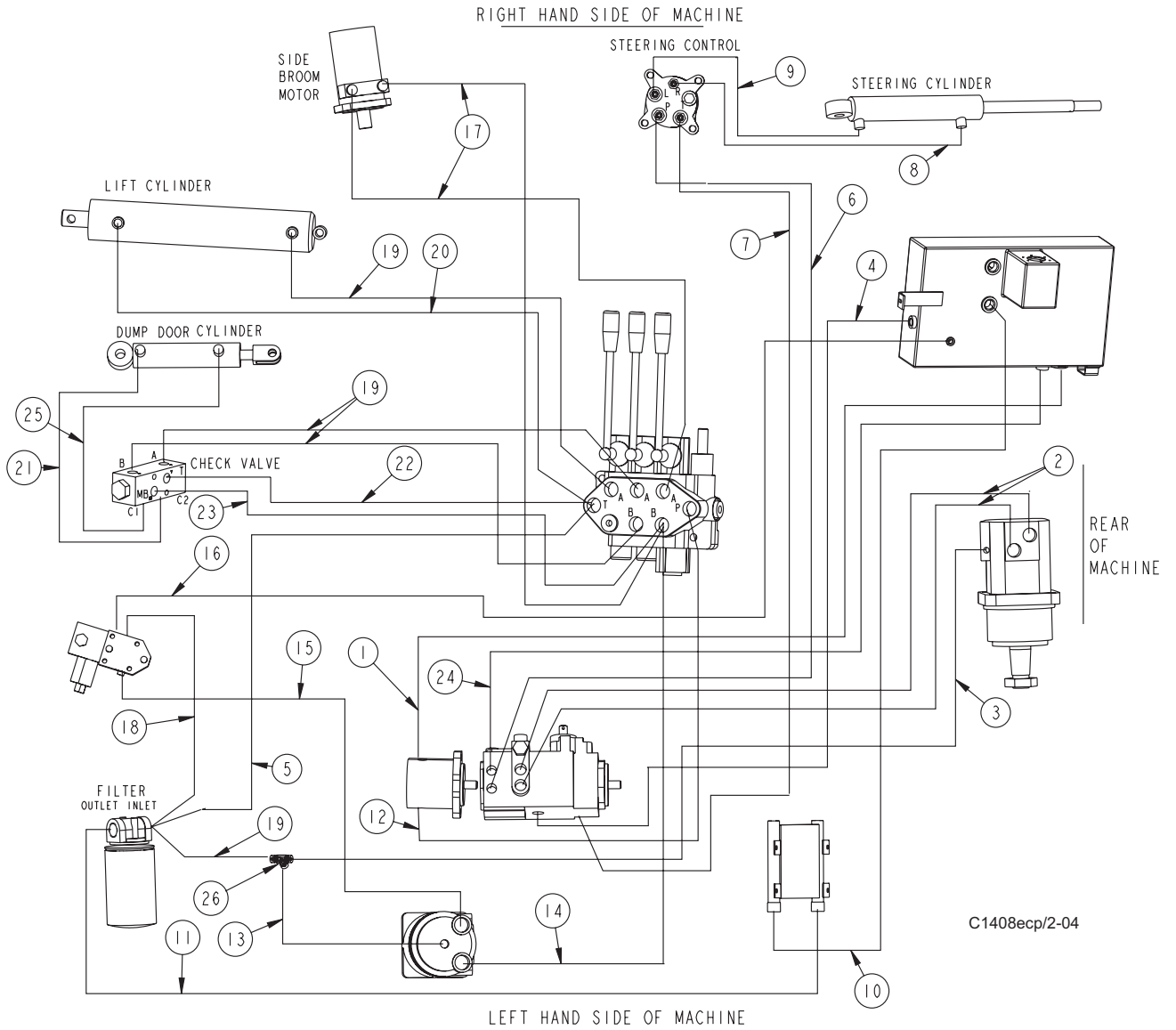
HYDRAULIC HOSE DIAGRAM - PARTS LIST

<u>KEY NO.</u>	<u>PART NUMBER</u>	<u>DESCRIPTION</u>	<u>QTY.</u>
1	8-33-02343	Hose, #12 x 45.0" 0-45-ORS	1
2	8-33-02344	Hose, #8 x 55.0" 0-0-ORS	2
3	8-33-02173	Hose, #4 x 80.0" 0-0-ORS	
4	8-33-02214	Hose, #8 x 29.0" 0-0-ORS	1
5	8-33-02326	Hose, #8 x 34.5" 0-0-ORS	1
6	8-33-02185	Hose, #4 x 56.0" 0-0-ORS	1
7	8-33-02189	Hose, #4 x 66.0" 0-0-ORS	1
8	7-33-02193	Hose, #4 x 49.0" 0-0-ORS	1
9	8-33-02182	Hose, #4 x 42.5" 0-0-ORS	1
10	8-33-02401	Hose, #12 x 41.0" 0-90-ORS	1
11	8-33-02372	Hose, #12 x 64.0" 0-90-ORS	1
12	8-33-02323	Hose, #8 x 55.0" 0-90-ORS	1
13	8-33-02329	Hose, #4 x 30.0" 0-90-ORS	1
14	8-33-02324	Hose, #8 x 72.0" 0-0-ORS	1
15	8-33-02325	Hose, #8 x 65.0" 0-0-ORS	1
16	8-33-02328	Hose, #4 x 78.5" 0-90-ORS	1
17	8-33-02327	Hose, #8 x 64.0" 0-0-ORS	2
18	7-33-02206	Hose, #8 x 14.25" 0-90-ORS	1
19	7-33-02189	Hose, #4 x 26.0" 0-90-ORS	4
20	8-33-02175	Hose, #4 x 21.0" 0-0-ORS	1
21	7-33-02193	Hose, #4 x 49.0" 0-90-ORS	1
22	8-33-02176	Hose, #4 x 21.0" 0-90-ORS	1
23	8-33-02199	Hose, #4 x 24.5" 0-90-ORS	1
24	7-33-02546	Hose, #8 x 42.0" 0-0-ORS	1
25	7-33-02191	Hose, #4 x 42.0" 0-90-ORS	1
26	2-00-04930	Fitting, #4 Union Tee	1

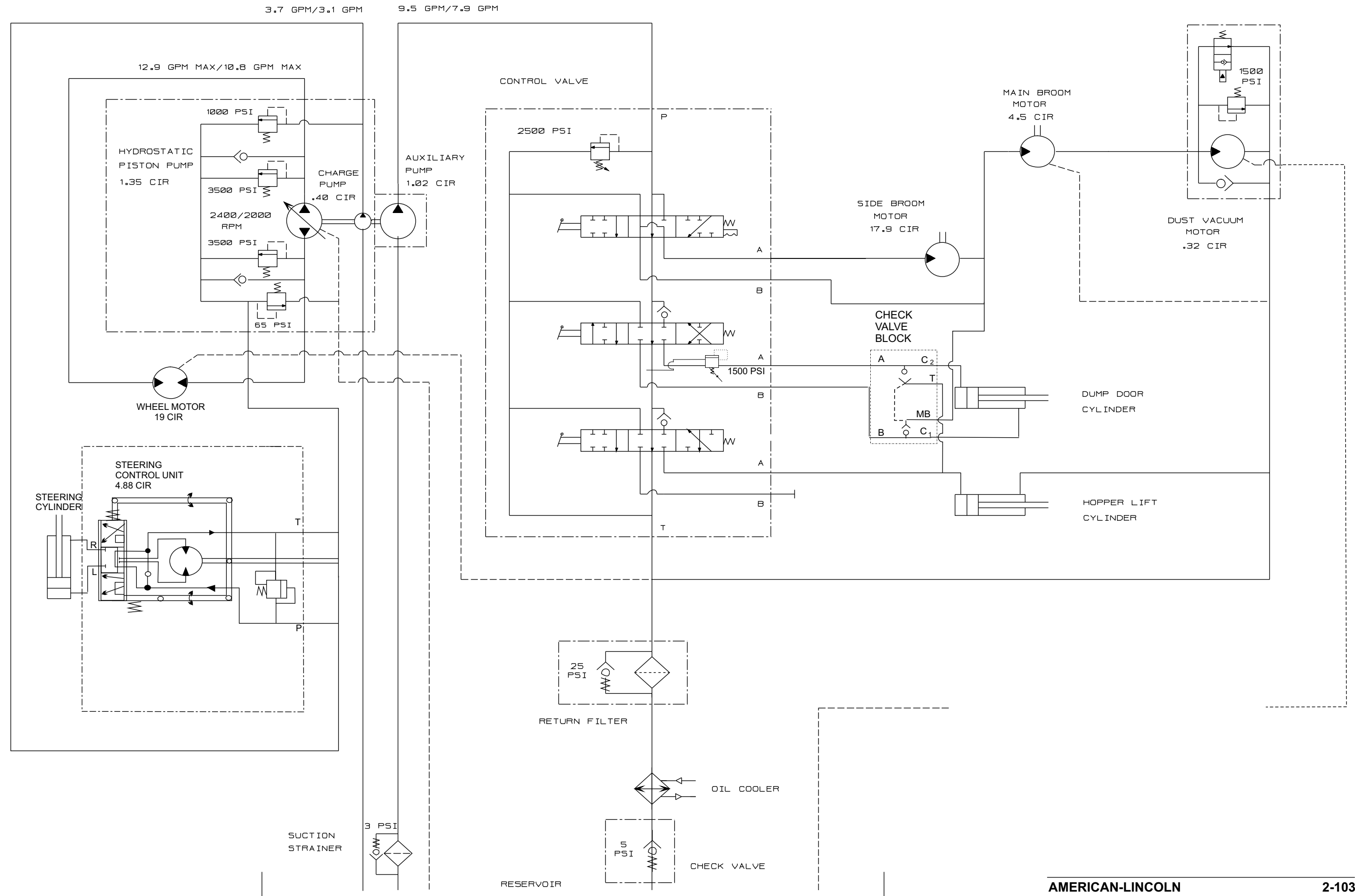
NOTE: Hoses are part of Kit 0860-625

C1408F/7-04

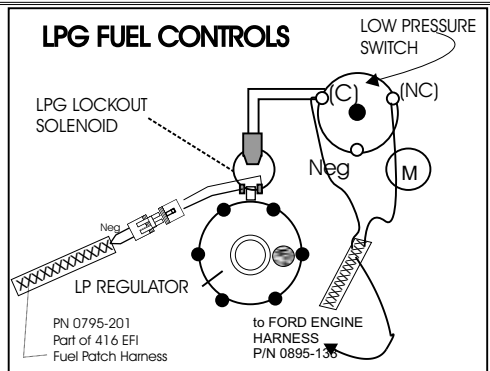
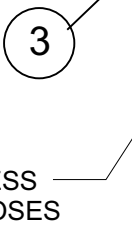
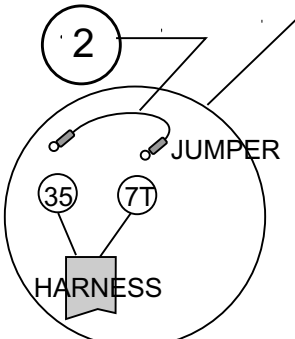
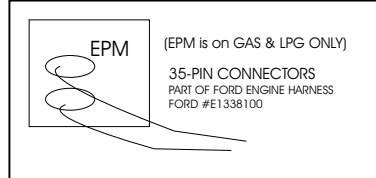
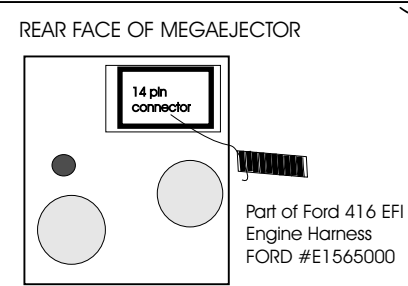
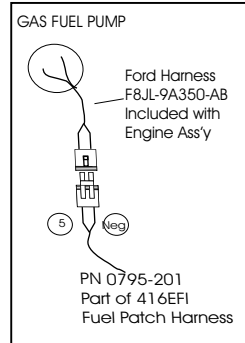
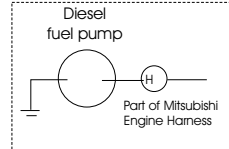
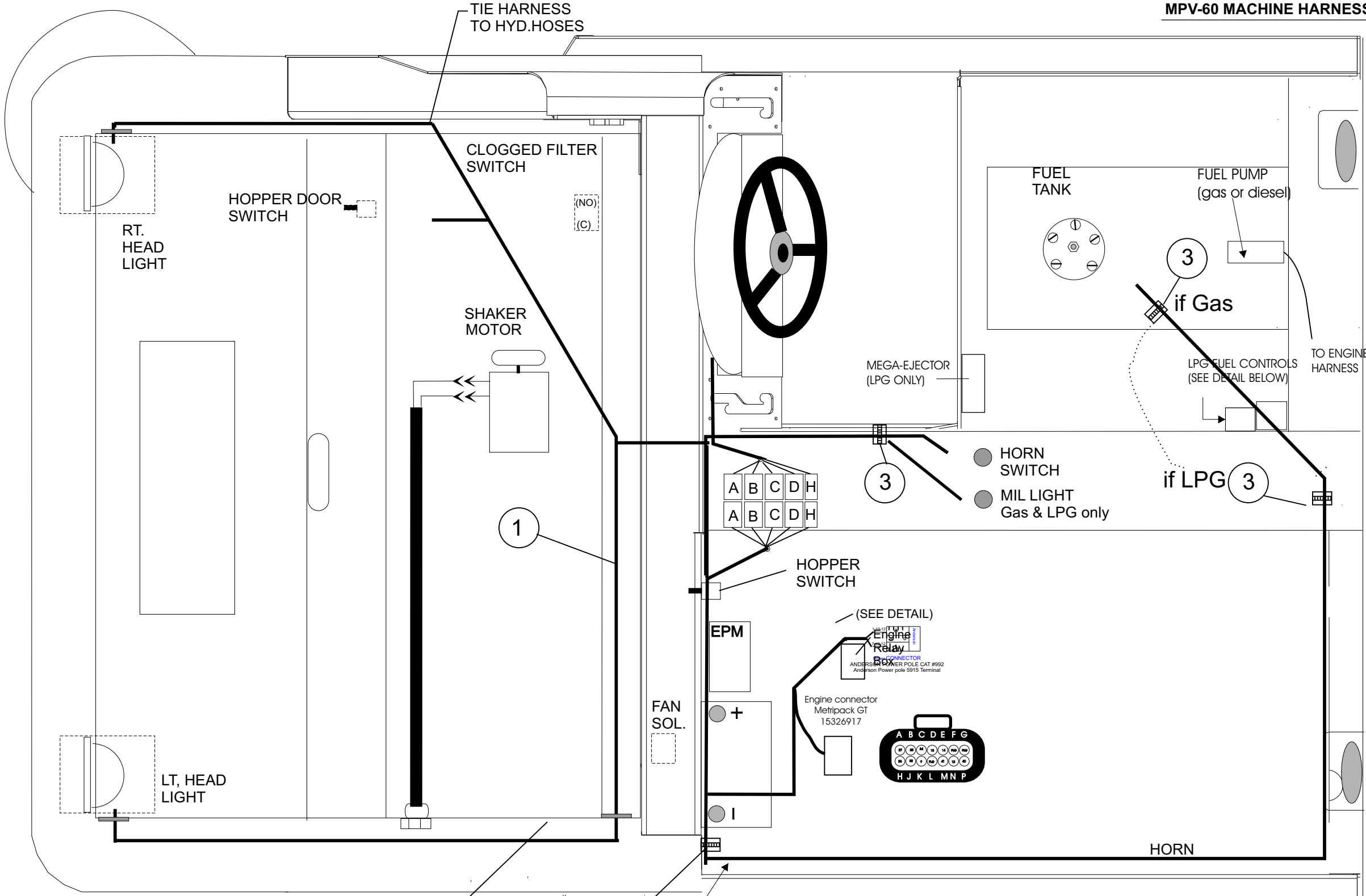
HYDRAULIC HOSE DIAGRAM - EXPLODED VIEW

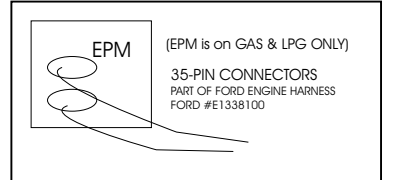
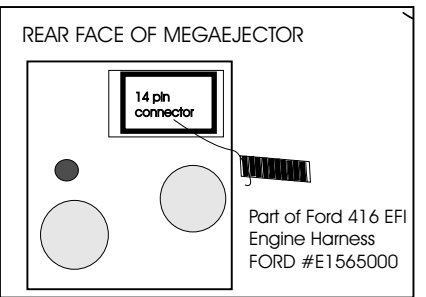
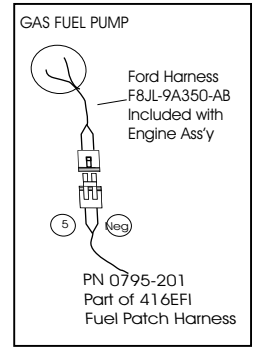
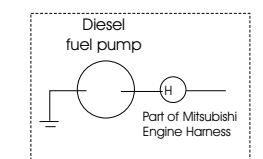
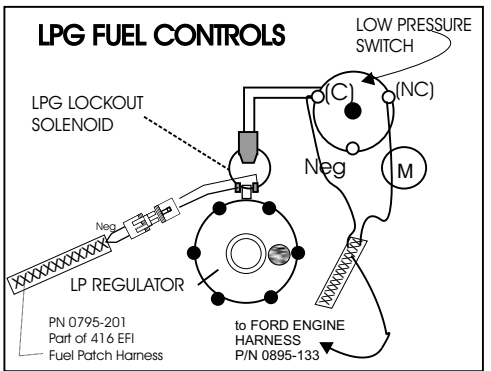
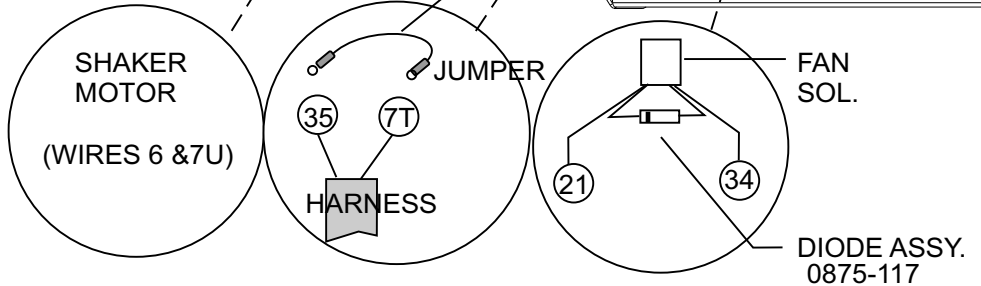
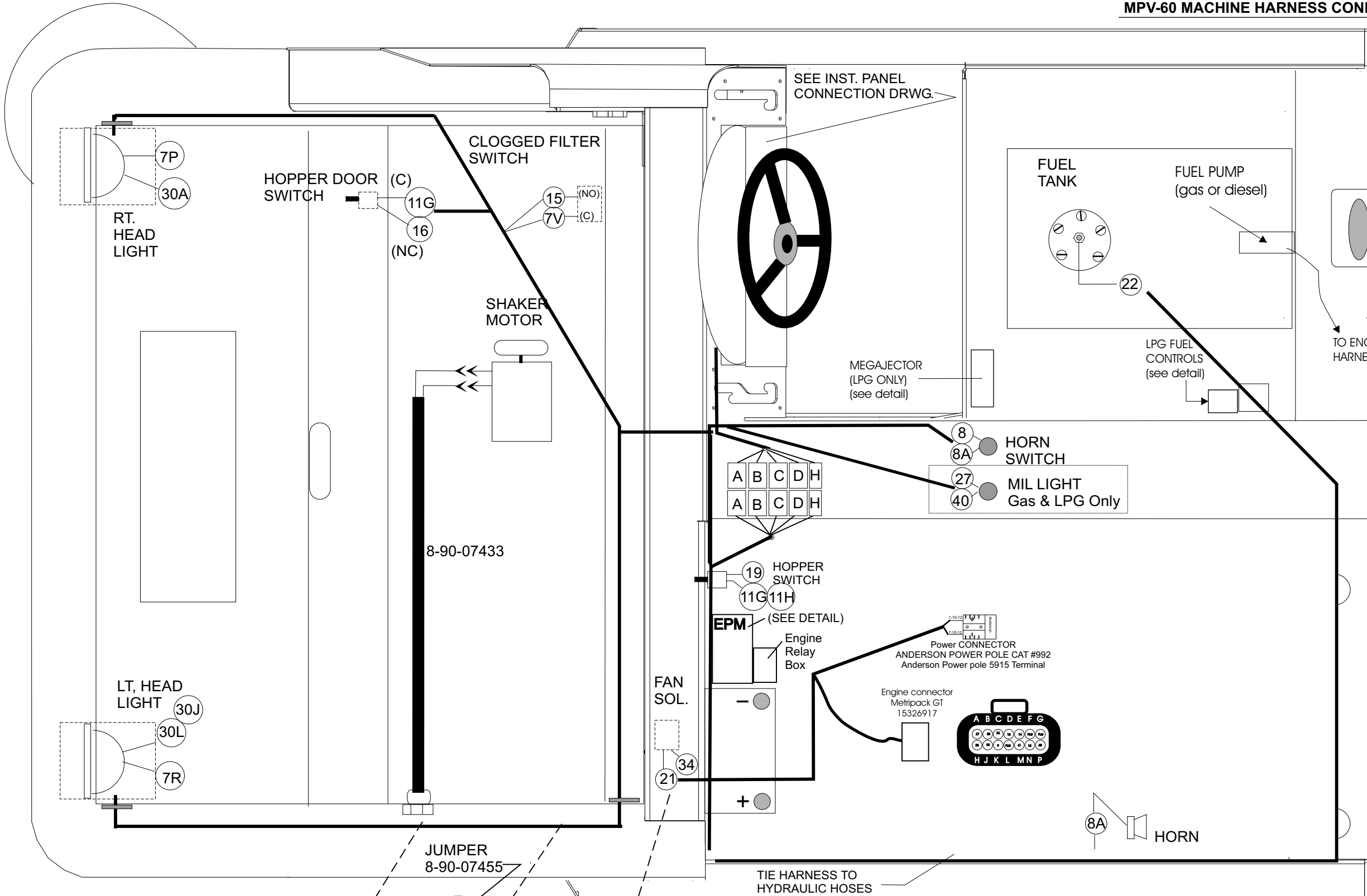


NOTES

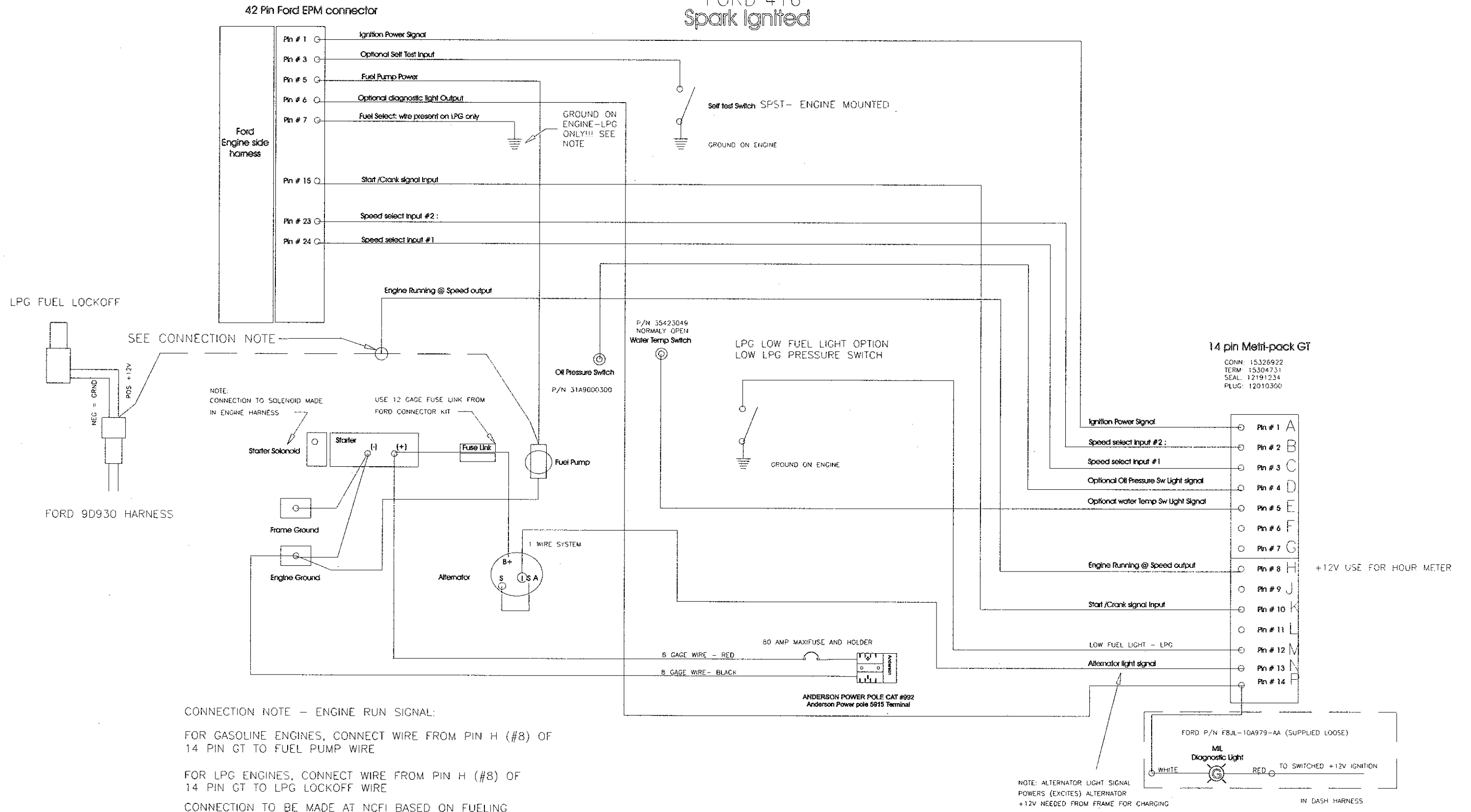


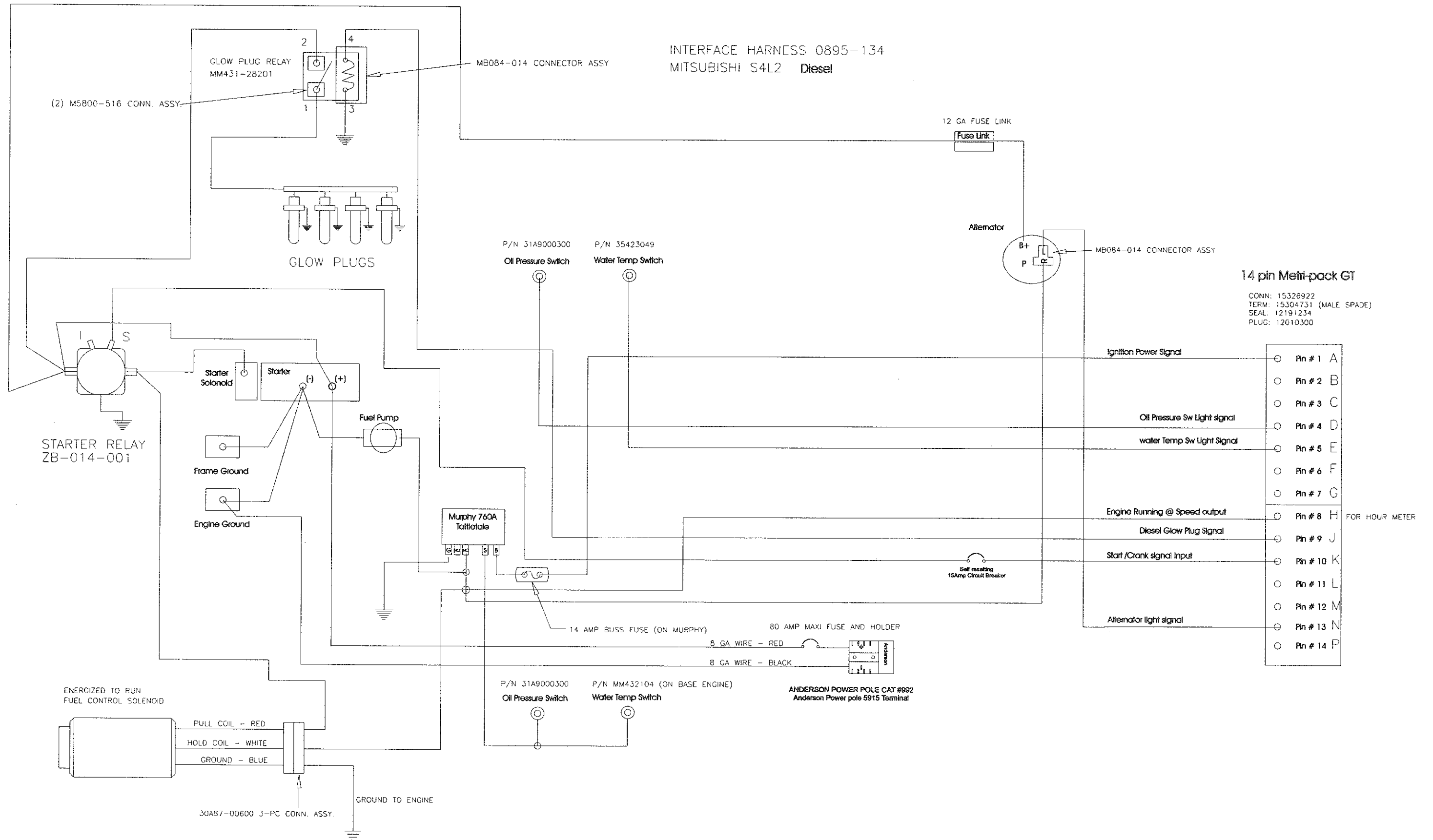
ITEM	QTY.	PART NO.	DESCRIPTION
1	1	0895-128	HARN.-BODY
2	1	8-90-07455	WIRE
3	3	7-13-07096	CLAMP





INTERFACE HARNESS 0895-133
 FORD 416
 Spark Ignited





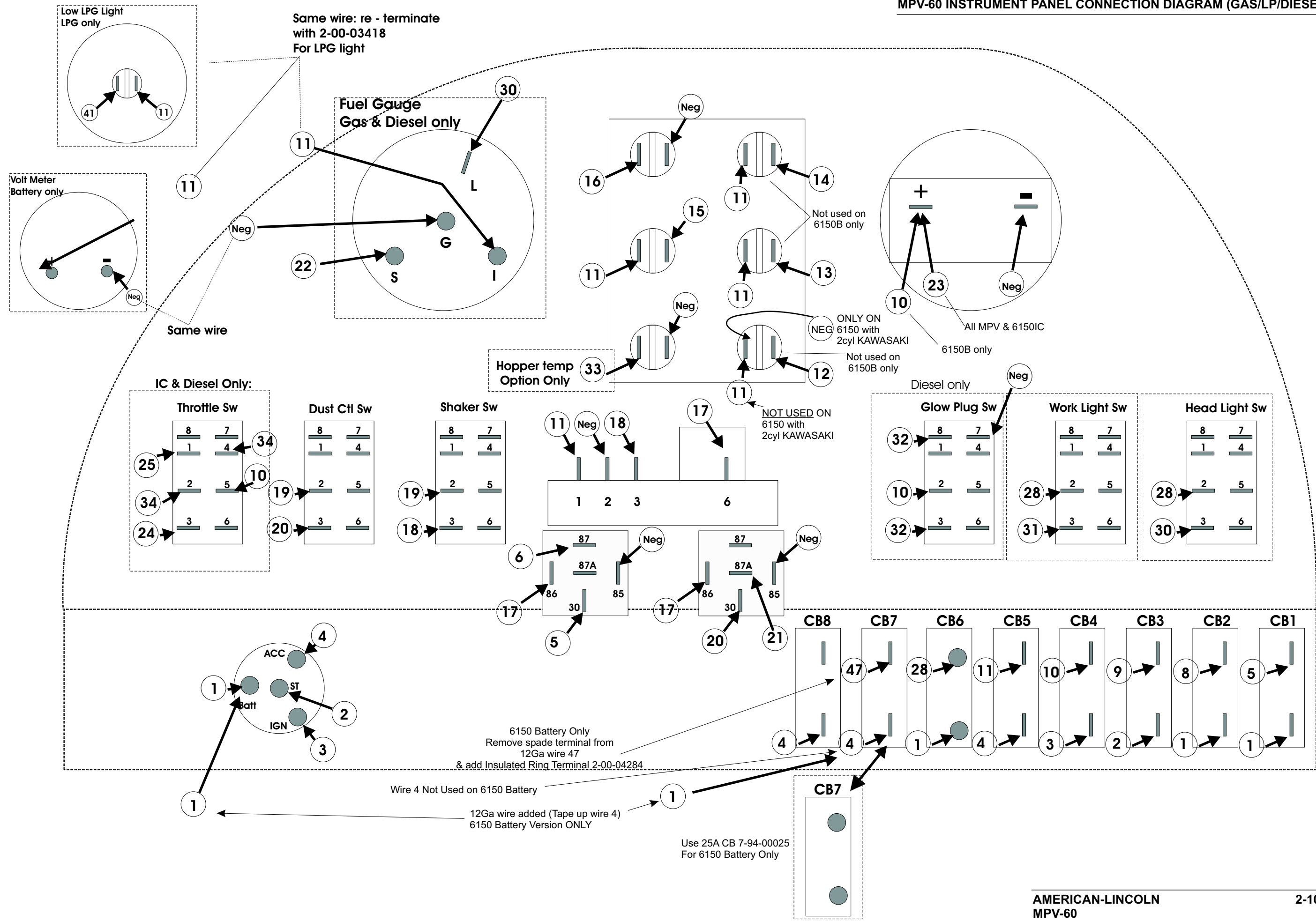
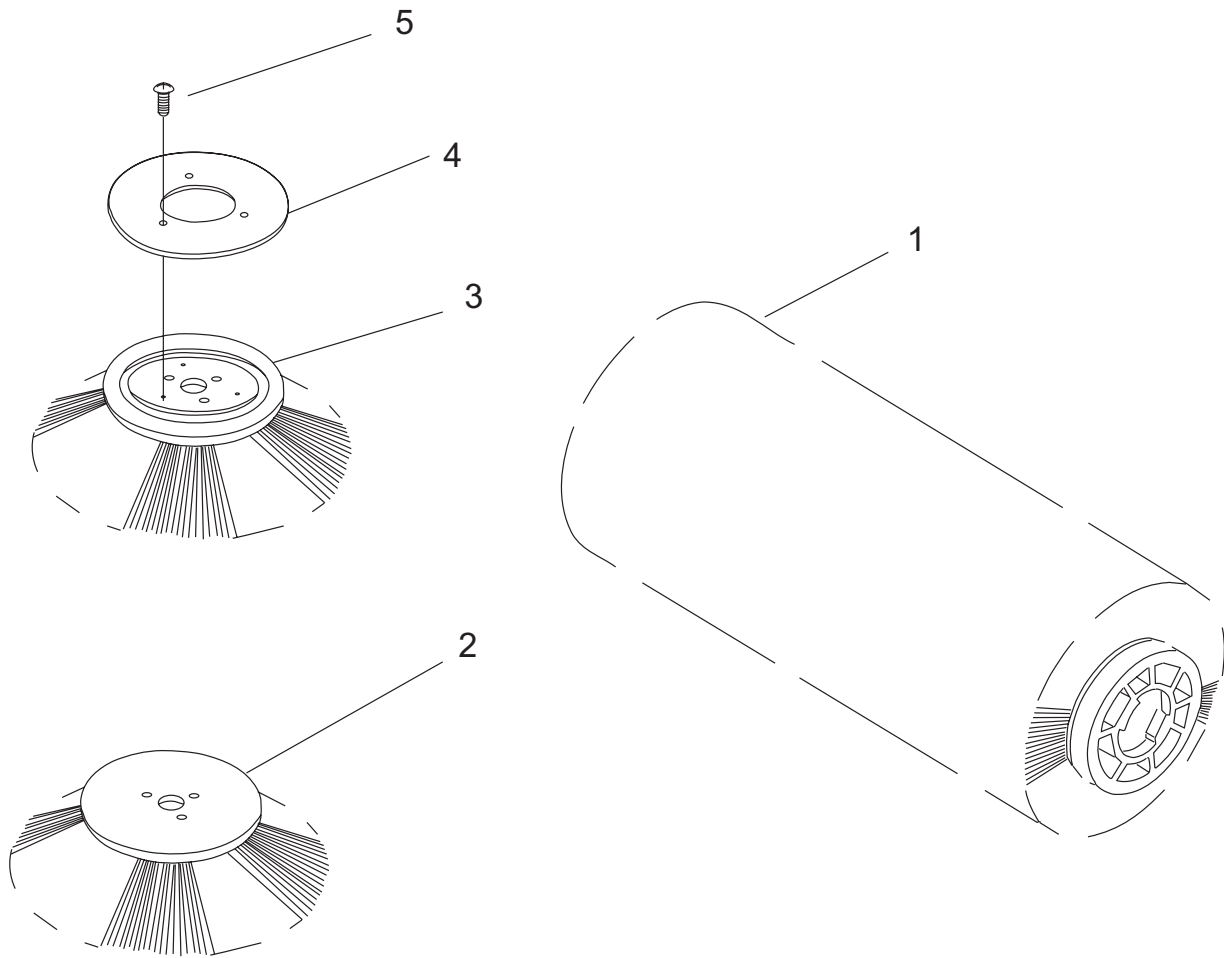


TABLE OF CONTENTS - CHAPTER 3 - OPTIONS

Broom Options	3-2
Side Broom Spotlight Option	3-3
Skirted Vacuumized Side Broom Option	3-4
Back-Up Alarm Option	3-6
Brake Lights Option	3-8
Turn Signals Option	3-10
Rear Work Light Option	3-12
Fire Extinguisher Option	3-13
Overhead Guard Option	3-14
Strobe Light Option (with Overhead Guard)	3-16
Strobe Light Option (without Overhead Guard)	3-18
Litter Vac Option	3-20
Prototectoseal Gas Cap Option	3-26
Spark Arrestor Option	3-27
Retractable Seatbelt Option	3-28
Righthand Armrest Option	3-29
Suspension Seat Option	3-30
Stainless Steel Hopper Option	3-31
Hopper High Temperature Shutdown Option	3-32
Tire Options	3-34
SE Air Cleaner with Raised Air Intake Option (with Overhead Guard)	3-36
SE Air Cleaner with Raised Air Intake Option (without Overhead Guard)	3-38
Blower Wand Option	3-40
Diesel Spare Parts Kit/Engine Service Parts	3-42
Gas Spare Parts Kit/Engine Service Parts	3-43

BROOM OPTIONS



C1158

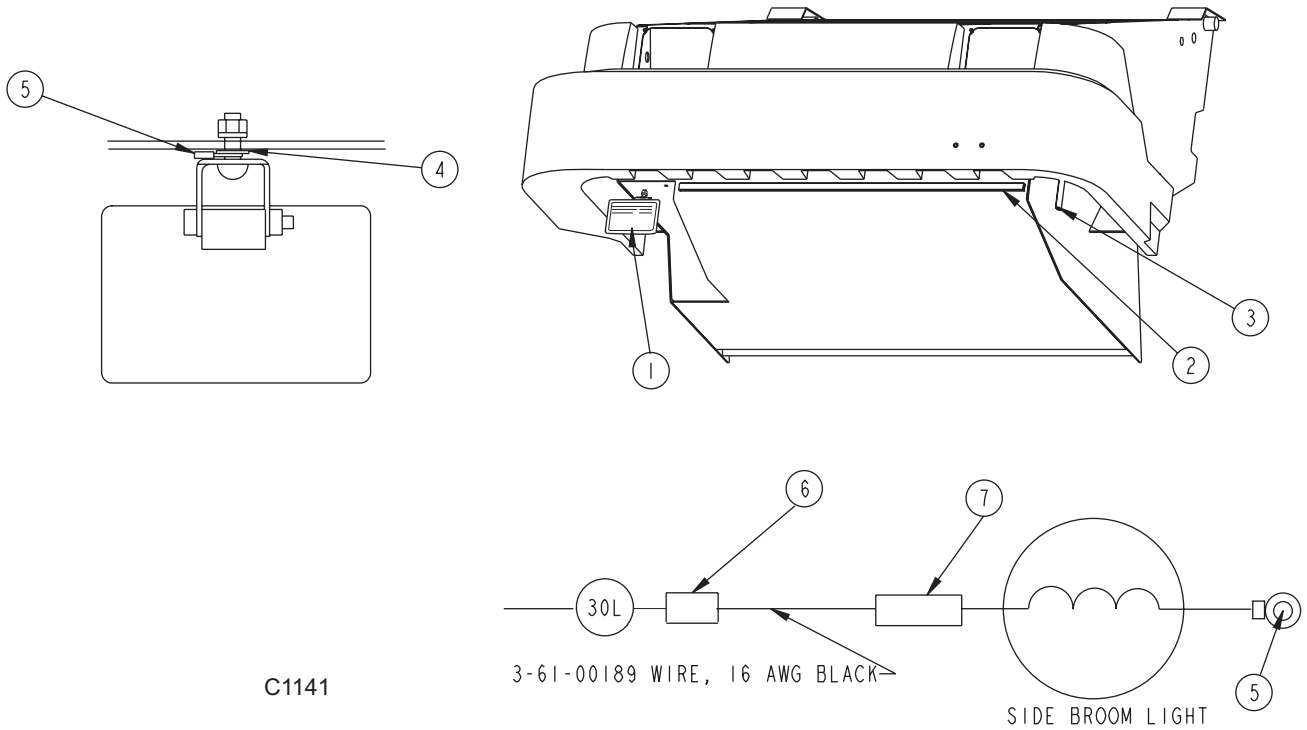
<u>KEY NO.</u>	<u>PART NUMBER</u>	<u>DESCRIPTION</u>	<u>QTY.</u>
1	8-08-03217	Proex and Wire Main Broom	Ref.
1	8-08-03219	Nylon Main Broom	Ref.
1	8-08-03220	Nylon, High Density Main Broom	Ref.
1	8-08-03221	Fiber and Wire High Density Main Broom	Ref.
1	8-08-03218	Poly and Wire Main Broom	Ref.
1	8-08-03232	Nylon	Ref.
2	8-08-03212	Black Prolene Side Broom	Ref.
2	8-08-03211	Nylon Side Broom	Ref.

**0880-439
Wire Bristle Side Broom Option**

3	8-08-03199	Wire Side Broom	1
4	8-58-05248	Plate	1
5	2-00-04121	Screw #10 - 13 x .750 RHW	3

C1158

SIDE BROOM SPOTLIGHT OPTION



OPTION NO. 0880-594

<u>KEY NO.</u>	<u>PART NUMBER</u>	<u>DESCRIPTION</u>	<u>QTY.</u>
1	8-40-05049	Light	1
2	8-20-06038	Duct, Wire	1
3	8-20-06037	Duct, Wire	1
4	2-00-02303	Washer, Internal Lock	1
5	2-00-04282	Ring Terminal	1
6	2-00-04578	Terminal	1
7	2-00-01128	Butt Splice	1

C1141/9901

SKIRTED VACUUMIZED SIDE BROOM OPTION

OPTION 0880-607 0880-712 TOTAL STEEL

<u>KEY NO.</u>	<u>PART NUMBER</u>	<u>DESCRIPTION</u>	<u>QTY.</u>
1	8-33-05144	Broom Guard	1
*	8-33-05146	Broom Guard	1
2^	8-08-00864	Bracket, Broom Guard	1
3	8-25-08216	Flap	1
*	8-25-08224	Flap	1
4	8-25-08226	Flap	1
*	8-25-08227	Flap	1
5^	8-13-07155	Clamp	1
6^	8-13-07156	Clamp	1
7^	8-13-07157	Clamp	3
8^	8-13-07158	Clamp	2
9^	8-13-07159	Clamp	1
10^	8-03-02043	Hose Adapter	2
11^	8-33-02357	Hose	1
12^	8-29-00253	Gasket	2
13^	2-00-02217	Clamp, Hose	2
14^	2-00-05261	Insert - 1/4 - 20	10
15^	2-00-05347	Insert - 3/8 - 16	8

* USED ON TOTAL STEEL MACHINES

^ USED ON BOTH TOTAL STEEL AND REGULAR MACHINES

HARDWARE USED:

H15	2-00-00221	Screw, 1/4-20 x .750 HHC	31
H25	2-00-00594	Nut, Hex 1/4- 20 x .437 x .218	8
H48	2-00-00233	Screw, 3/8-16 x 1.000 HHC	5
H50	2-00-00234	Screw, 3/8-16 x 1.500 HHC	2
H53	2-00-02310	Lockwasher Split .375 Cad. Pl.	6
H72	2-00-00518	Lock Washer, Helical Spring	31

C-1169a/9901

BACK-UP ALARM OPTION

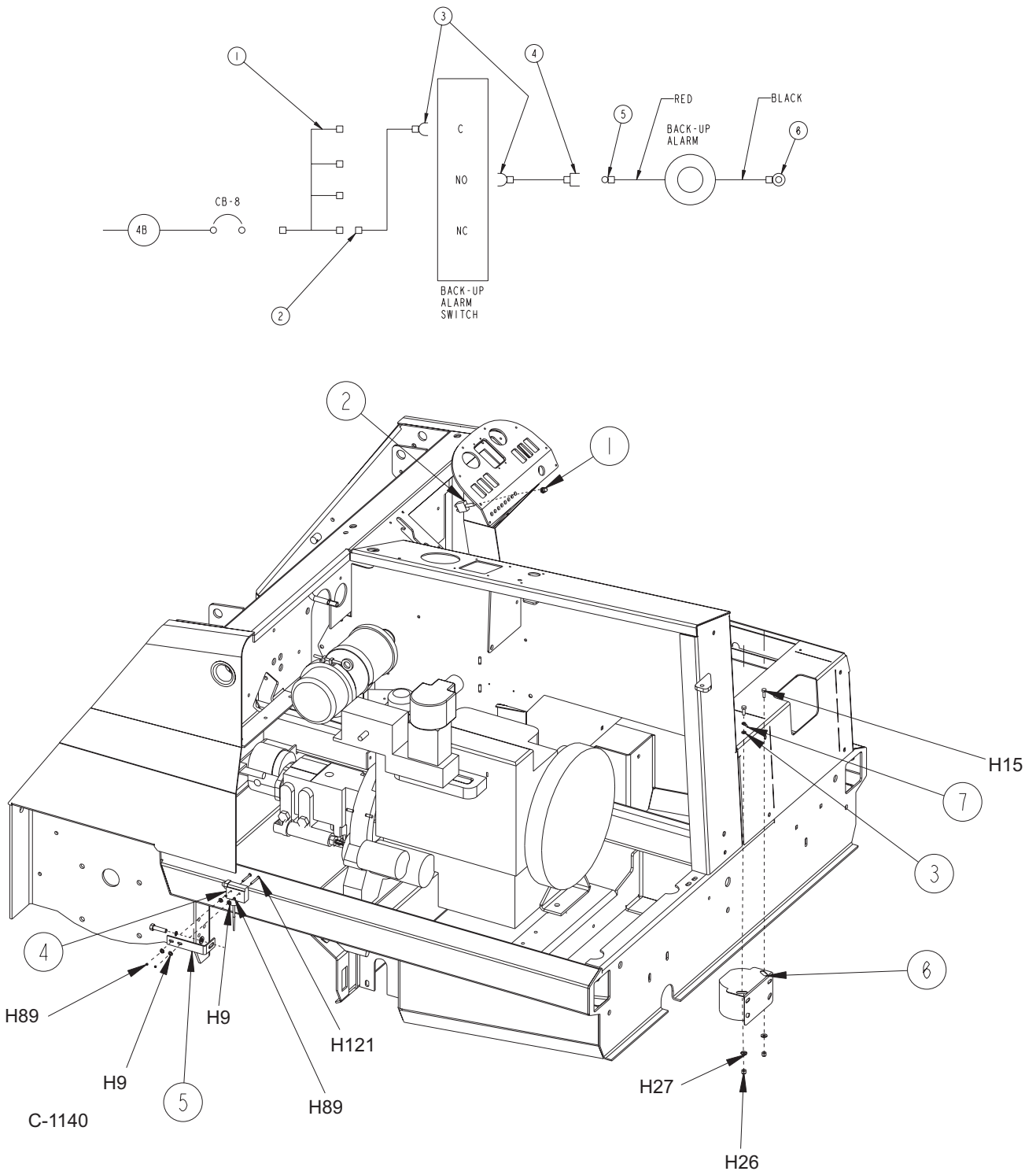
OPTION NO. 0880-593

<u>KEY NO.</u>	<u>PART NUMBER</u>	<u>DESCRIPTION</u>	<u>QTY.</u>
1	8-11-00044	Cap, Instrument Panel (Boot)	1
2	8-64-00008	Circuit Breaker, 15 amp	1
3	2-00-00501	Washer, Internal Lock	1
4	8-82-00058	Switch	1
5	8-08-02040	Bracket, Back Up Alarm Switch	1
6	8-32-09009	Alarm, Back Up	1
7	2-00-00828	Ring Terminal	REF.
8	8-90-07434	Wing Wire	1
9	8-11-00015	Terminal	1
10	2-00-04742	Terminal	2
11	2-00-04626	Terminal	1
12	2-00-04578	Terminal, Male Bullet	1
13	2-00-00828	Ring Terminal	1

HARDWARE USED:

H9	2-00-00426	Flat Washer, .500 x .219 x .063	4
H15	2-00-00221	Screw, 1/4 - 20 x .750 HHC	2
H26	2-00-00641	Nut, 1/4 - 20 Insert Fiber	2
H27	2-00-03702	Washer, .625 x .281 x .063	2
H89	2-00-01372	Nut Fiber Insert, #8 - 32 Steel	4
H121	2-00-00090	Screw, #8 - 32 x 1.500 RHM	2

C1140/9901



BRAKE LIGHTS OPTION

OPTION NO. 0880-617

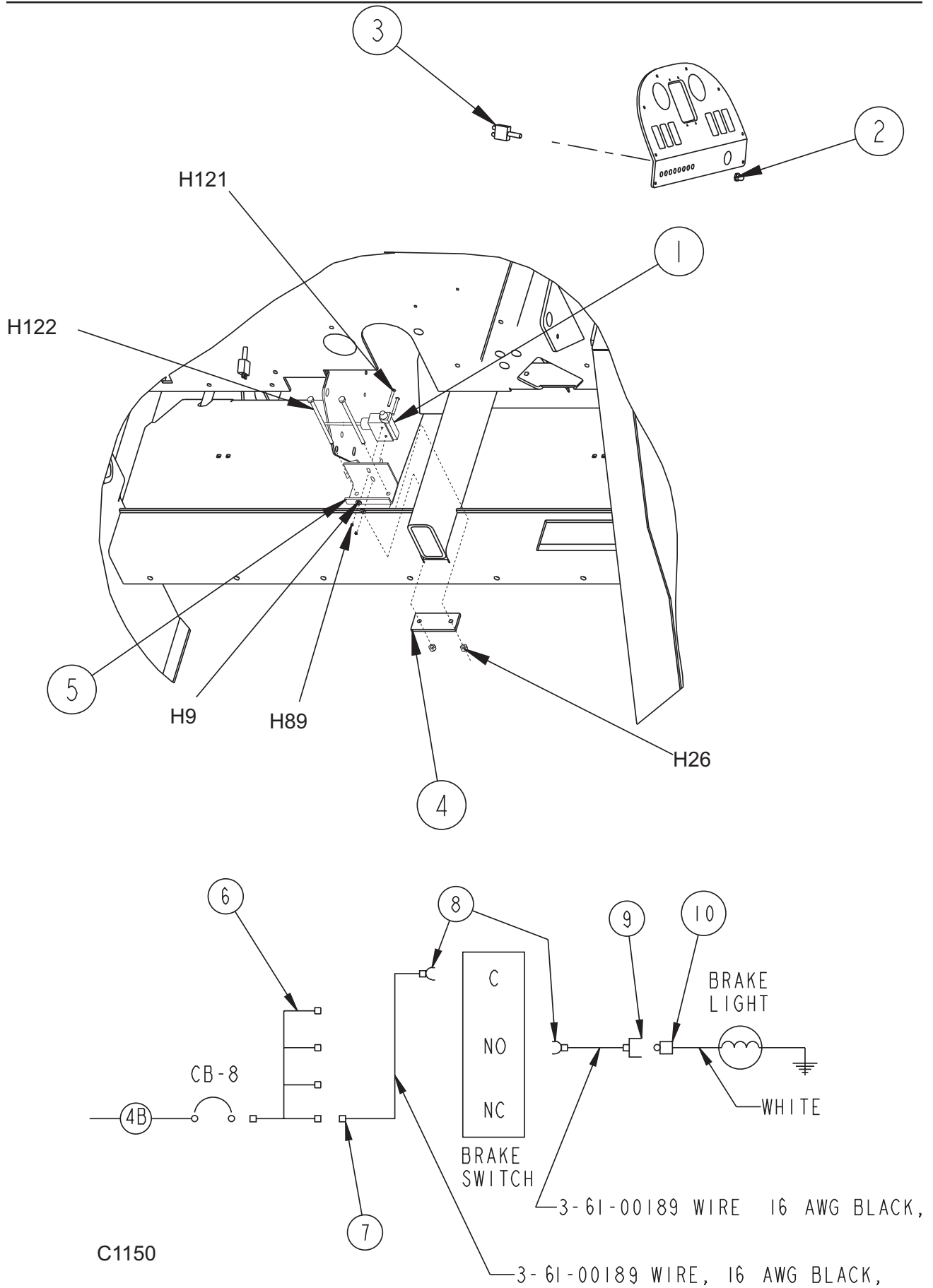
<u>KEY NO.</u>	<u>PART NUMBER</u>	<u>DESCRIPTION</u>	<u>QTY.</u>
1	8-82-00058	Switch	1
2	8-11-00044	Cap, Instrument Panel Boot	1
3	8-64-00008	Circuit Breaker, 15 amp	1
4	8-13-07132	Clamp, Brake Switch	1
5	8-08-00818	Bracket, Brake Switch	1
6	8-90-07434	Wing Wire	1
7	8-11-00015	Terminal	1
8	2-00-04742	Terminal	2
9	2-00-04626	Terminal	1
10	2-00-04578	Terminal	1
	2-00-05291	Bulb, Brake Light	(Service Part)

HARDWARE USED:

H9	2-00-00426	Flat Washer, .500 x .219 x .063	2
H26	2-00-00641	Nut, 1/4-20 Insert Fiber	2
H89	2-00-01372	Nut, Fiber Insert #8-32 Steel	2
H121	2-00-00090	Screw, #8-32 x 1.500 RHM	2
H122	2-00-05216	Screw, 1/4-20 x 5.000 HHC	2

C1150/9901

BRAKE LIGHTS OPTION

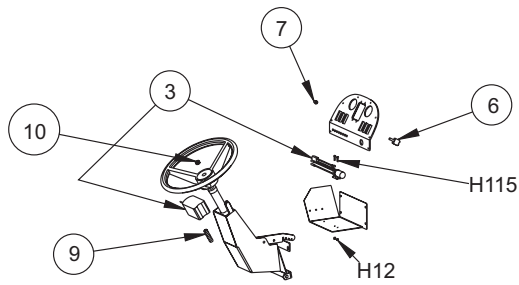


TURN SIGNALS OPTION

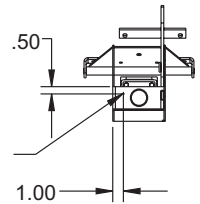
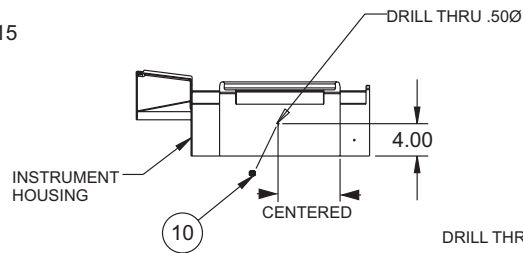
OPTION NO. 0880-596

<u>KEY NO.</u>	<u>PART NUMBER</u>	<u>DESCRIPTION</u>	<u>QTY.</u>
1	8-08-00884	Bracket, Light	2
2	8-40-05046	Turn Light	2
	2-00-05291	Bulb, Turn Signal, Front (Service Part)	REF.
	8-41-03012	Lens, Turn Signal, Front (Service Part)	REF.
3	8-82-00025	Turn Signal Switch	1
4	8-20-06037	Duct Wire	2
5	8-41-03009	Lens, Turn Signal	2
	2-00-05292	Bulb, Turn Signal, Rear (Service Part)	REF.
6	8-64-00008	Circuit Breaker	1
7	8-11-00044	Cap, Instrument Panel Boot	1
8	2-00-00828	Ring Terminal	REF.
9	3-61-02014	Convoluted Tube	5'
10	2-00-00491	Grommet	2
11	2-00-05261	Insert - ¼ - 20	4
12	8-90-07434	Wing Wire	1
13	8-11-00015	Terminal	1
14	2-00-04626	Terminal	6
15	2-00-04578	Terminal	6
16	2-00-04479	Connector	2
17	2-00-00828	Ring Terminal	2
HARDWARE USED:			
H8	2-00-00039	Screw, 10-24 x 1.000 RHM	4
H12	2-00-01246	Nut, Hex Fiber Insert #10-24	6
H15	2-00-00221	Screw, 1/4-20 x .750 HHC	4
H72	2-00-00518	Lock Washer, Helical Spring	4
H115	2-00-03063	Screw, #10-24 x .750 THM	2
H124	2-00-02296	Lock Washer, #10 Ext. Shakeproof	2

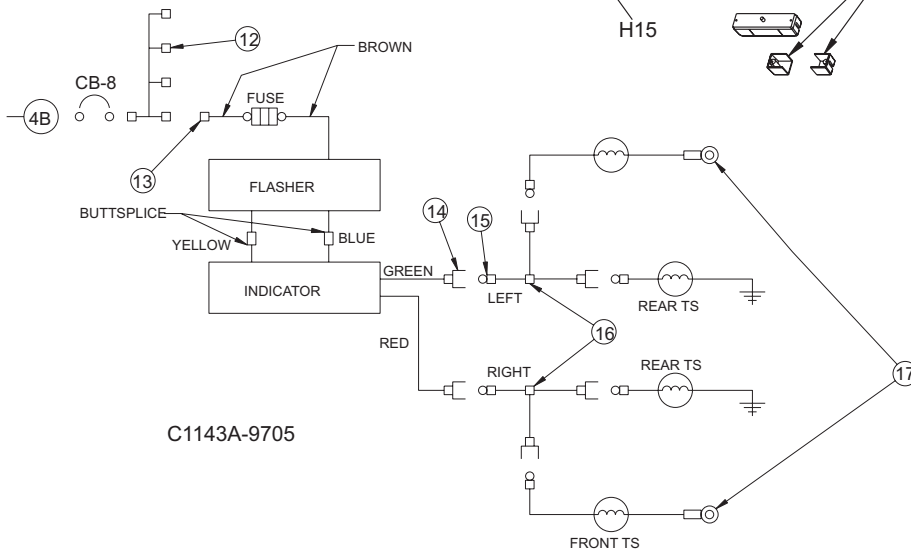
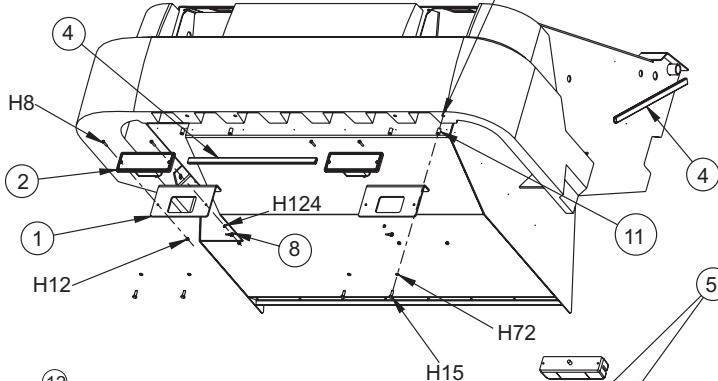
C1143a/9901



NOTE: SECURE WIRES TO COLUMN WITH TY-RAPS AS REQUIRED

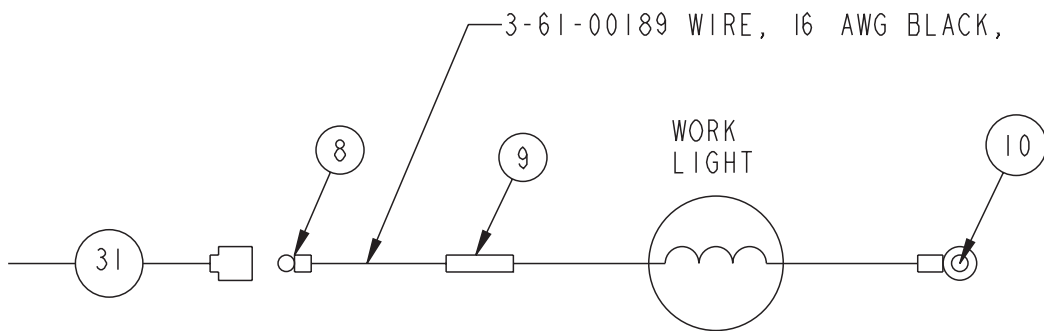
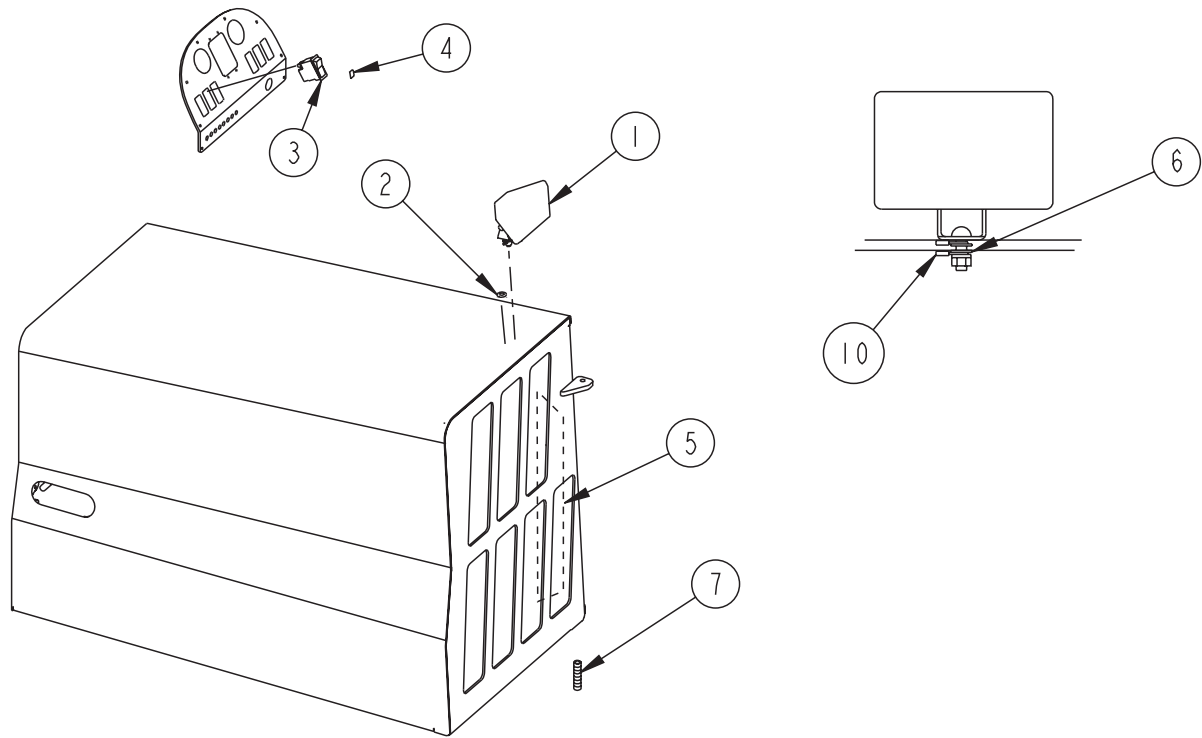


NOTE: POSITION LIGHT BRKTS AT SIDE EDGES OF HOPPER AND AGAINST BUMPER TO LOCATE HOLES 1.00" IN FROM FRONT EDGE OF BUMPER DRILL (4) Ø .390 HOLES THRU



C1143A-9705

REAR WORK LIGHT OPTION



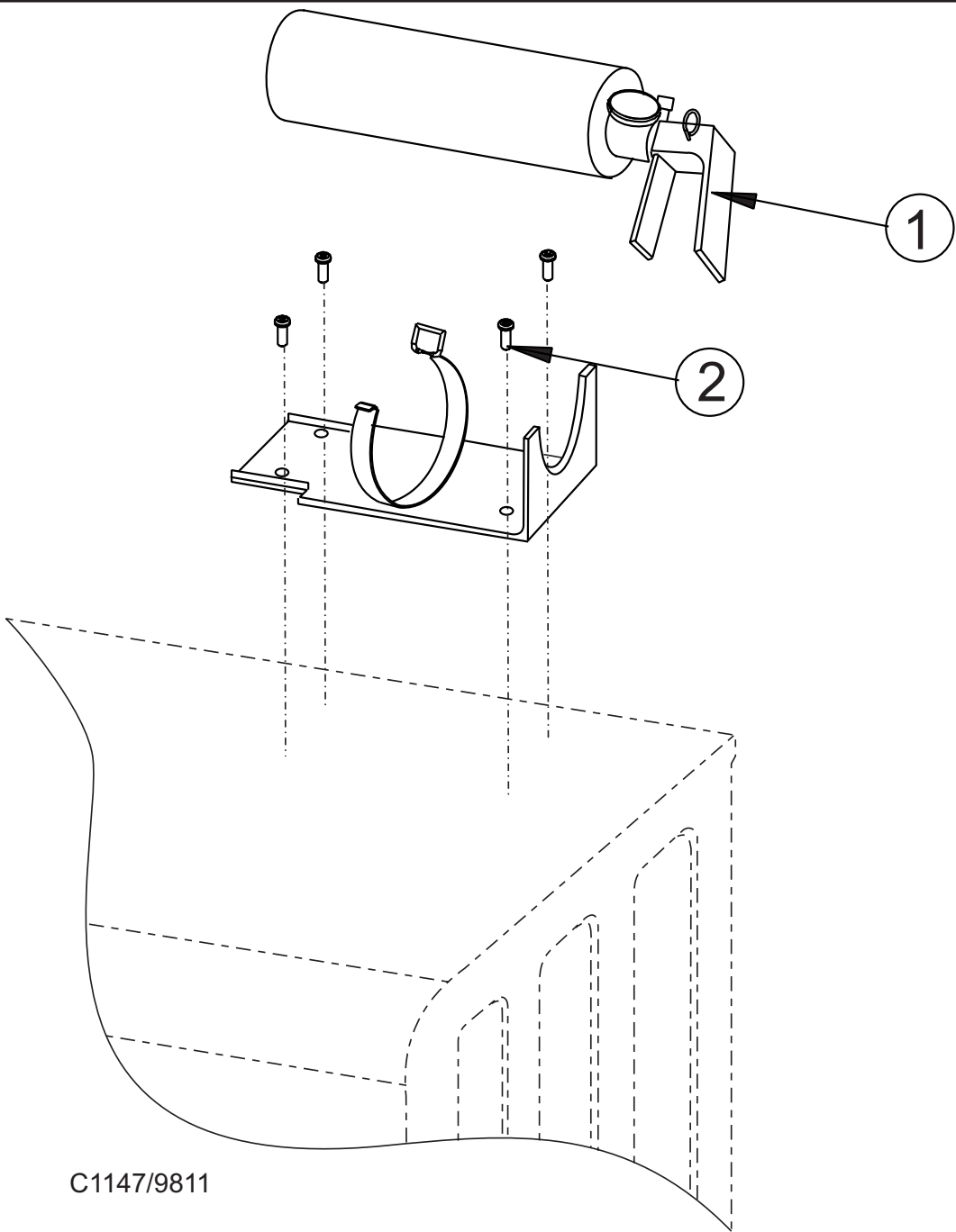
C1142

OPTION NO. 0880-595

KEY NO.	PART NUMBER	DESCRIPTION	QTY.
1	8-40-05049	Light	1
2	2-00-00491	Grommet	2
3	8-82-00053	Switch	1
4	8-41-03004	Lens, Work Light	1
5	8-20-06037	Duct, Wire	1
6	2-00-02303	Washer, Internal Lock	1
7	3-61-02014	Convoluted Tube	1
8	2-00-04578	Terminal	1
9	2-00-01128	Butt Splice	1
10	2-00-04282	Ring Terminal	1

C1142/9901

FIRE EXTINGUISHER OPTION



C1147/9811

OPTION NO. 0880-609

<u>KEY NO.</u>	<u>PART NUMBER</u>	<u>DESCRIPTION</u>	<u>QTY.</u>
1	8-83-04033	Fire Extinguisher	1
2	2-95-01998	Screw, #14-10 x .750 T/F R.H.	2

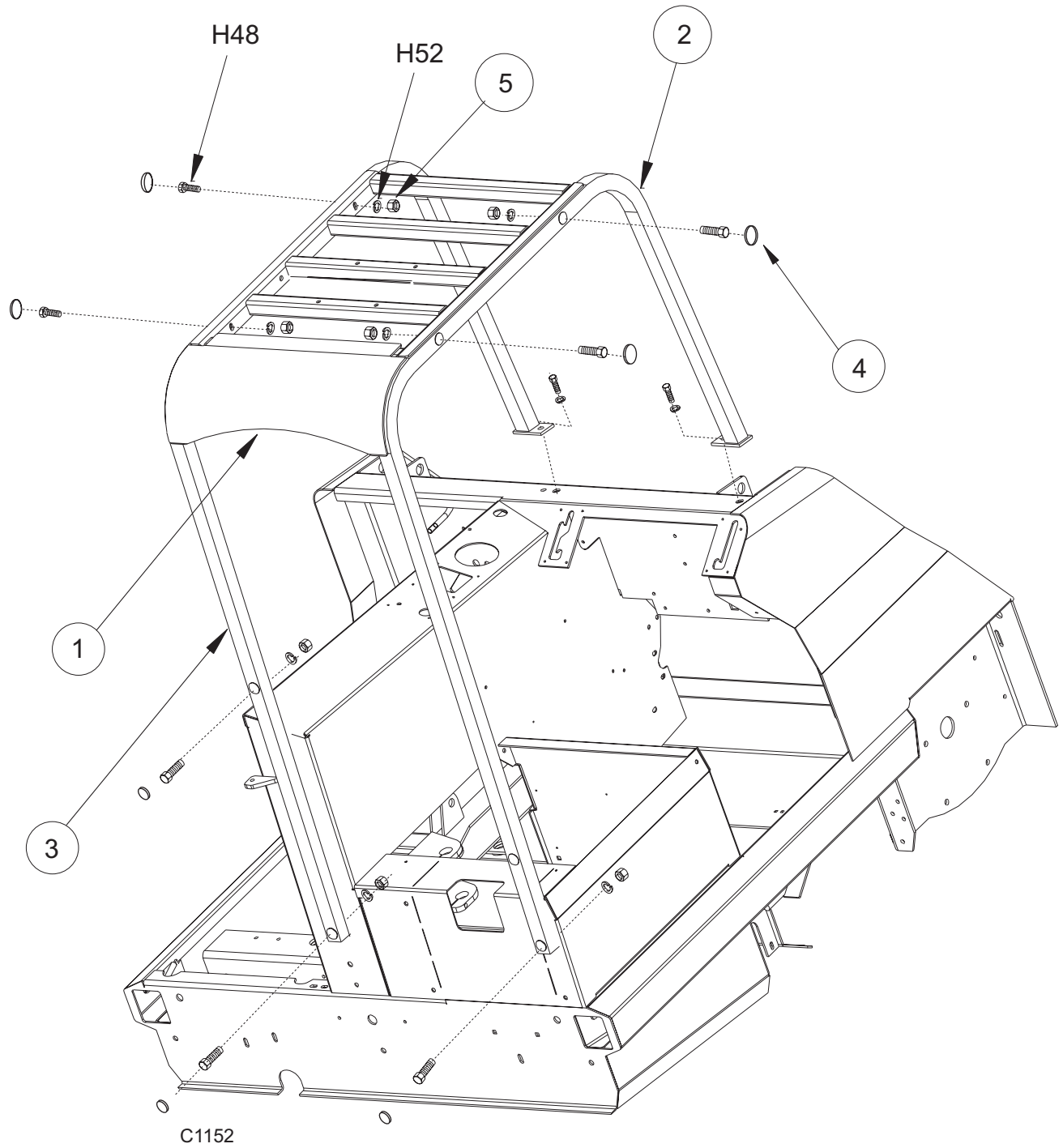
C1147/9901

OVERHEAD GUARD OPTION

OPTION NO. 0880-601

<u>KEY NO.</u>	<u>PART NUMBER</u>	<u>DESCRIPTION</u>	<u>QTY.</u>
1	8-30-05174	Overhead Guard, Top Weld	1
2	8-30-05172	Overhead Guard, Leg Weld R.H.	1
3	8-30-05173	Overhead Guard, Leg Weld L.H.	1
4	2-00-05134	Plug Button	8
5	2-95-04182	Nut, Fiber	8
HARDWARE USED:			
H48	2-00-00233	Screw 3/8 - 16 x 1.000 HHC	2
H52	2-00-00402	Flat Washer, .750 X .390 X .094	4
H57	2-00-00240	Screw, 1/2 - 13 x 1.250 HHC	8
H63	2-00-02312	Lock Washer, 1/2 HS Med.	2

C1152-1/9901



STROBE LIGHT WITH OVERHEAD GUARD OPTION

OPTION NO. 0880-600 (Amber Strobe)

<u>KEY NO.</u>	<u>PART NUMBER</u>	<u>DESCRIPTION</u>	<u>QTY.</u>
1	8-40-05036	Strobe, Amber	1
2	8-58-05228	Panel, Light Support	1
3	8-20-06036	Duct, Wire	1
4	2-00-01915	Grommet	2
5	2-00-05261	Threaded Insert	4
6	2-00-00491	Grommet	1
7	2-00-04281	Terminal	1
8	8-90-07434	Wing Wire	1
9	8-11-00015	Terminal	1
10	2-00-04578	Terminal	2
11	2-00-04626	Terminal	2
12	8-11-00044	Cap, Boot	1
13	8-64-00008	Circuit Breaker, 15 amp	1
14	2-00-04200	Grommet	1

HARDWARE USED:

H12	2-00-01246	Nut, Hex Fiber Insert #10-24	4
H17	2-00-00205	Screw, 1/4-20 x 1.000 HHC	6
H72	2-00-00518	Lock Washer, Helical Spring	4
H115	2-00-03063	Screw, #10-24 x .750 THM	4

C1145/9901

STROBE LIGHT *WITHOUT* OVERHEAD GUARD OPTION

OPTION NO. 0880-598

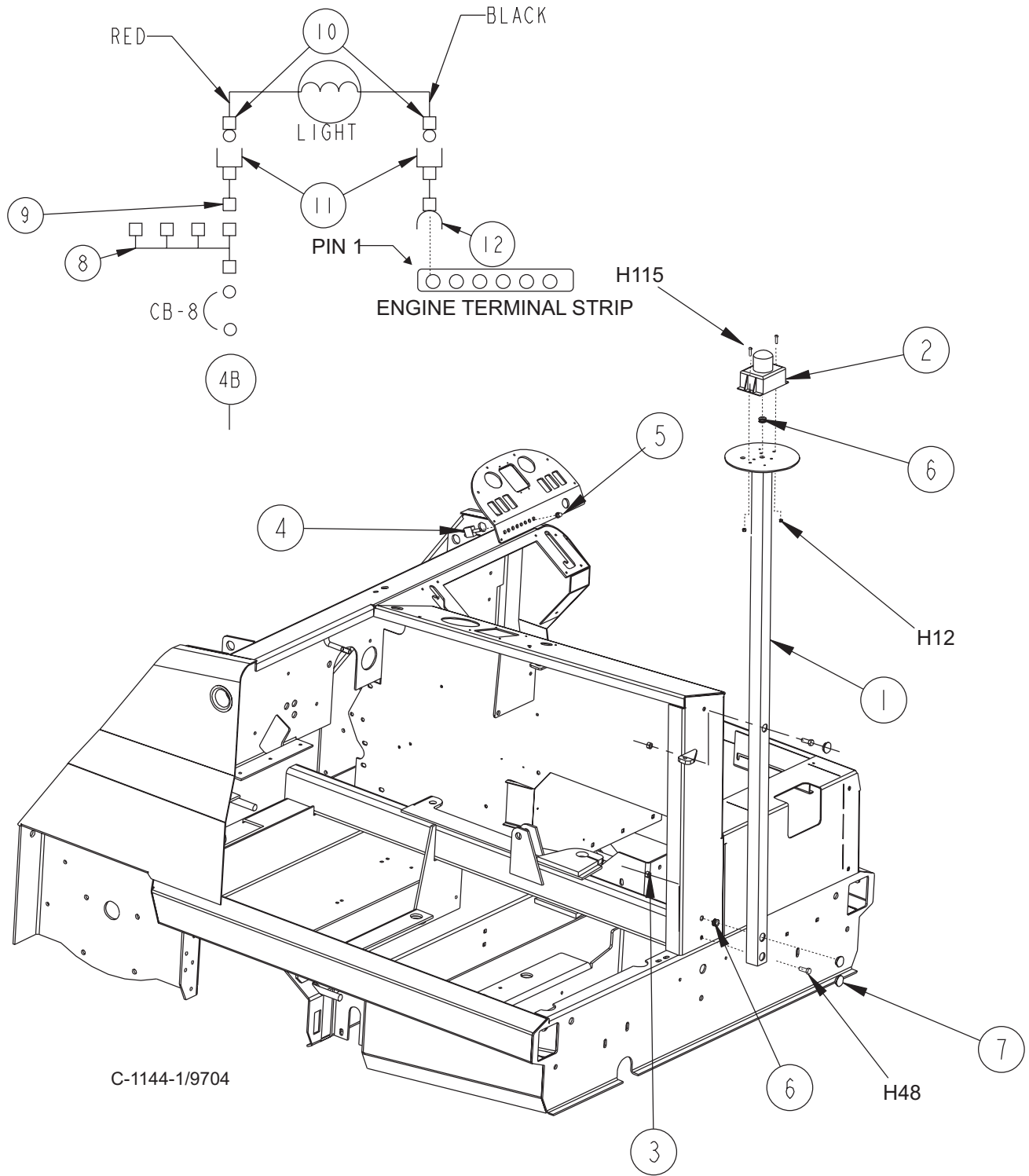
<u>KEY NO.</u>	<u>PART NUMBER</u>	<u>DESCRIPTION</u>	<u>QTY.</u>
1	8-81-00173	Light Pole	1
2	8-40-05036	Strobe, Amber	1
3	2-95-04182	Nut, Elastic Stop	2
4	8-64-00008	Circuit Breaker, 15 amp	1
5	8-11-00044	Cap, Instrument Panel Boot	1
6	2-00-00491	Grommet	2
7	2-00-05134	Plug Button	3
8	8-90-07434	Wing Wire	1
9	8-11-00015	Terminal	1
10	2-00-04578	Terminal	2
11	2-00-04626	Terminal	2
12	2-00-04742	Terminal	1

HARDWARE USED:

H12	2-00-01246	Nut, Hex Fiber Insert #10-24	2
H48	2-00-00233	Screw 3/8 - 16 x 1.000 HHC	2
H115	2-00-03063	Screw, #10-24 x .750 THM	2

C1144/9901

STROBE LIGHT WITHOUT OVERHEAD GUARD OPTION



LITTER VAC OPTION

OPTION 0880-713 SHT. 1 OF 3

<u>KEY NO.</u>	<u>PART NUMBER</u>	<u>DESCRIPTION</u>	<u>QTY.</u>
1	8-82-00068	Switch 2 Position On-Off & Light	1
2	8-18-00445	Decal-LitterVac	1
3	8-64-00008	Circuit Breaker-15 Amp.	1
4	2-00-04742	Terminal, #6 Spring Spade	1
5	2-00-03418	Terminal, .25 FISO	13
6	3-61-00189	Wire, Black 16 AWG	11'
7	8-64-05009	Relay	1
8	2-00-00833	Terminal- #10 Ring	1
9	2-00-04479	Splice, 3-Way	1
10	8-33-02326	Hose, #8 ORS 0-0 34.5	1
11			
12	0875-117	Diode Assembly	2
13	2-00-04926	Fitting, 90° SAE 6 x ORS 4	2
14	8-08-00590	Bracket- Valve Mount	2
15	7-33-02189	Hose, #4 ORS 0-90° 26.00"	1
16	8-88-00044	Valve	1
17	2-00-05048	Terminal- Ring	2
18	2-00-04885	Fitting 90° SAE 8 x ORS 8	1
19	2-00-04928	Run Tee ORS 8 x 8 x 8	2
20	8-33-02214	Hose, #8 ORS 0-0 29.00"	2
21	8-88-00042	Valve	1
22	2-00-04970	Fitting, Strt. SAE 8 x ORS 8	1
23	8-18-00444	Decal- LitterVac Instructions	1

HARDWARE USED:

H12	2-00-01246	Nut, Hex Fiber Insert #10-24	1
H22	2-00-02589	Screw, 1/4-20 x 2.000HHC	4
H26	2-00-00641	Nut, 1/4-20 Insert Fiber	4
H27	2-00-03702	Washer, .625 x .281 x .063	8
H100	2-00-03062	Screw, #10-24 x .625 THM	1
H124	2-00-02296	Lock Washer, #10 Ext. Shakeproof	1

C1441/9901

LITTER VAC OPTION (cont.)

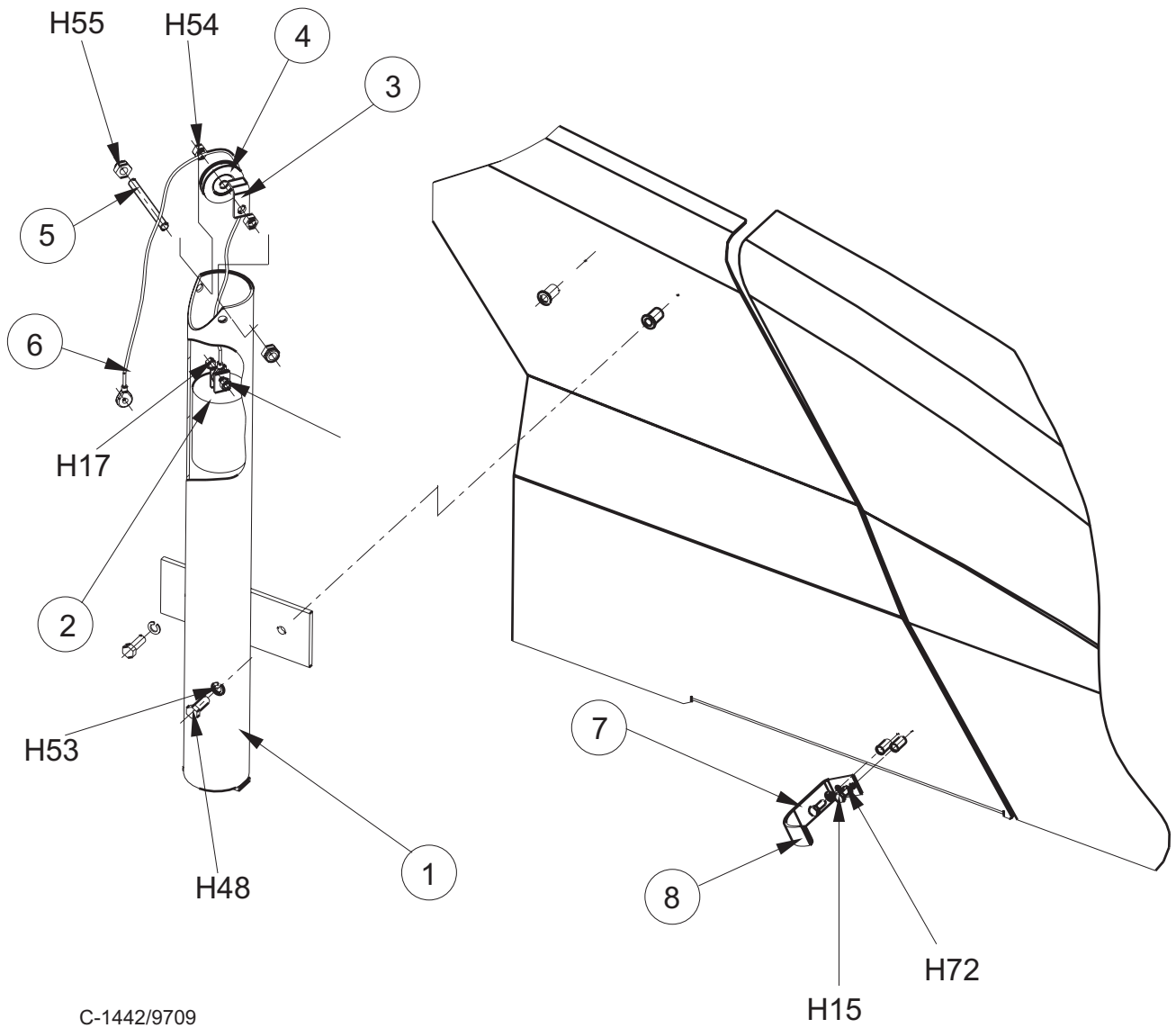
OPTION 0880-713 SHT. 2 OF 3

<u>KEY NO.</u>	<u>PART NUMBER</u>	<u>DESCRIPTION</u>	<u>QTY.</u>
1	8-81-00180	Support-Litter Vac Hose	1
2	8-89-04020	Counter Weight	1
3	7-13-07130	Cable Retainer	1
4	7-60-00160	Pulley	1
5	8-80-05047	Threaded Rod, 3/8-16	1
6	8-10-00036	Cable	1
7	8-08-00881	Bracket- Vac. Wand	1
8	7-31-06065	Edging	1

HARDWARE USED:

H15	2-00-00221	Screw, 1/4-20 x .750 HHC	2
H17	2-00-00205	Screw, 1/4-20 x 1.000 HHC	1
H26	2-00-00641	Nut, 1/4-20 Insert Fiber	1
H48	2-00-00233	Screw, 3/8-16 x 1.000 HHC	2
H53	2-00-02310	Lock Washer, HS, 3/8-16 x 1.000	2
H54	2-00-02360	Nut, 3/8-16 Hex.	2
H55	2-00-00643	Nut, 3/8-16 Stop	2
H72	2-00-00518	Lock Washer, Helical Spring	2

c1442/9901



C-1442/9709

LITTER VAC OPTION (cont.)

**OPTION 0880-713
SHT. 3 OF 3**

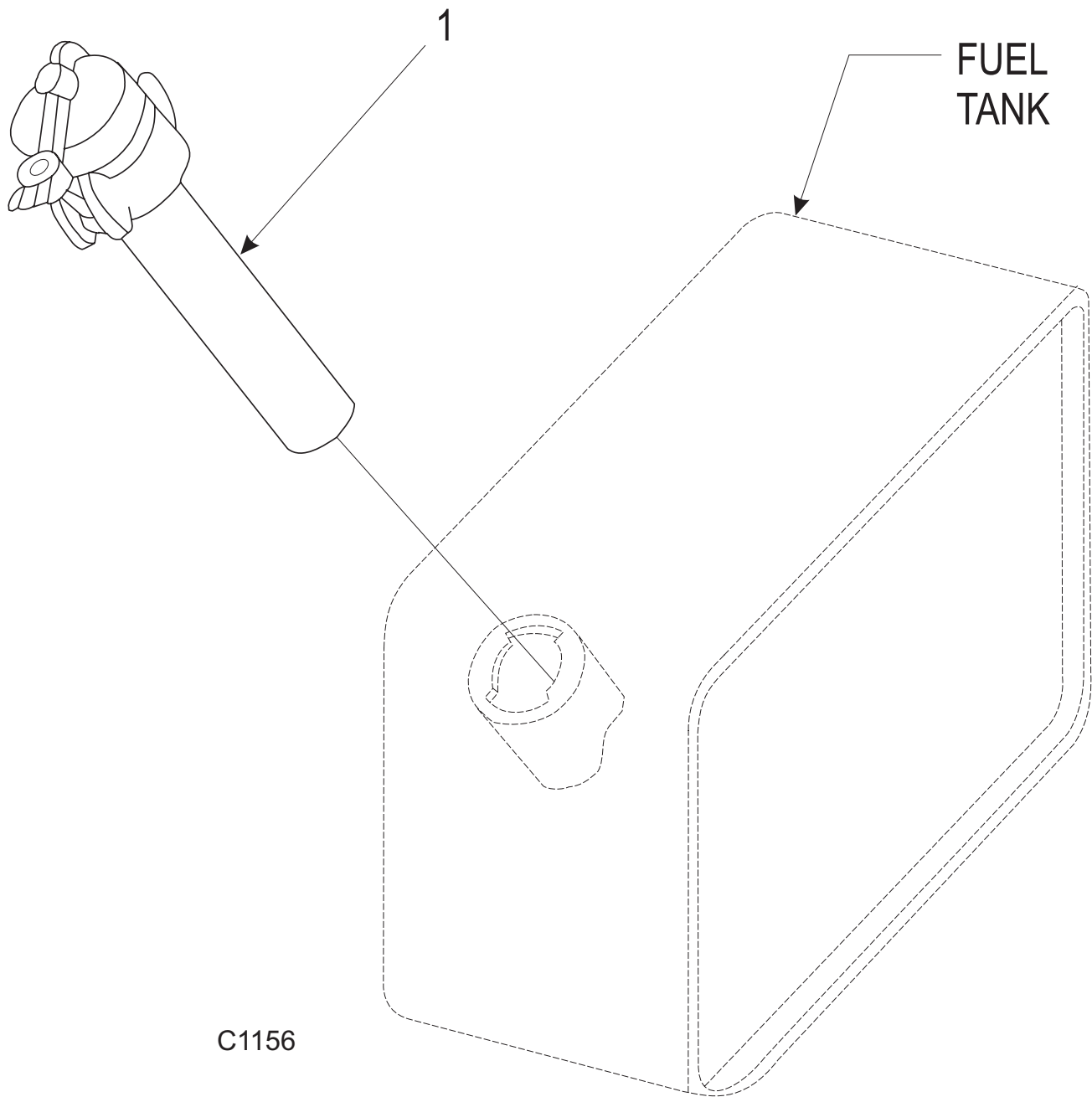
<u>KEY NO.</u>	<u>PART NUMBER</u>	<u>DESCRIPTION</u>	<u>QTY.</u>
1	8-16-07400	Cover	1
2	8-16-07404	Cover	1
3	8-29-00281	Gasket	1
4	8-87-02117	Hose Connector	1
5	8-33-02359	Hose	1
6	8-87-02119	Interconnect	1
7	8-08-00883	Handle	1
8	8-87-02118	Wand Tube (Plastic)	1
9	2-95-03355	Handle-Grip	1
10	2-00-03959	Clamp-Hose	2
11	2-00-04066	Wing Screw-5/16-18	2
12	2-14-03197	Washer-Rubber	2
13	2-00-05330	Insert-5/16-18	2
14	2-00-05262	Insert- #10-24	2
15	7-23-03113	Fastener, QTR Turn	1
16	7-23-03107	Grommet	1
17	7-23-03108	Clip	1
18	8-13-07171	Bridge Clamp	2
19	8-79-00128	Strap-Bungee	1
20	8-30-05180	Guard	1
21	8-41-00040	Latch	2
22		Print of 0880-715	1

HARDWARE USED:

H6	2-00-00049	Screw #10-24 x .500 RHM	2
H10	2-00-00519	Lock Washer, #10 Med. HS	2
H15	2-00-00221	Screw, 1/4-20 x .750 HHC	2
H26	2-00-00641	Nut, 1/4-20 Fiber Insert	2
H140	2-00-00447	Flatwasher, 1.250 x .280 x .090	2

c1443/9901

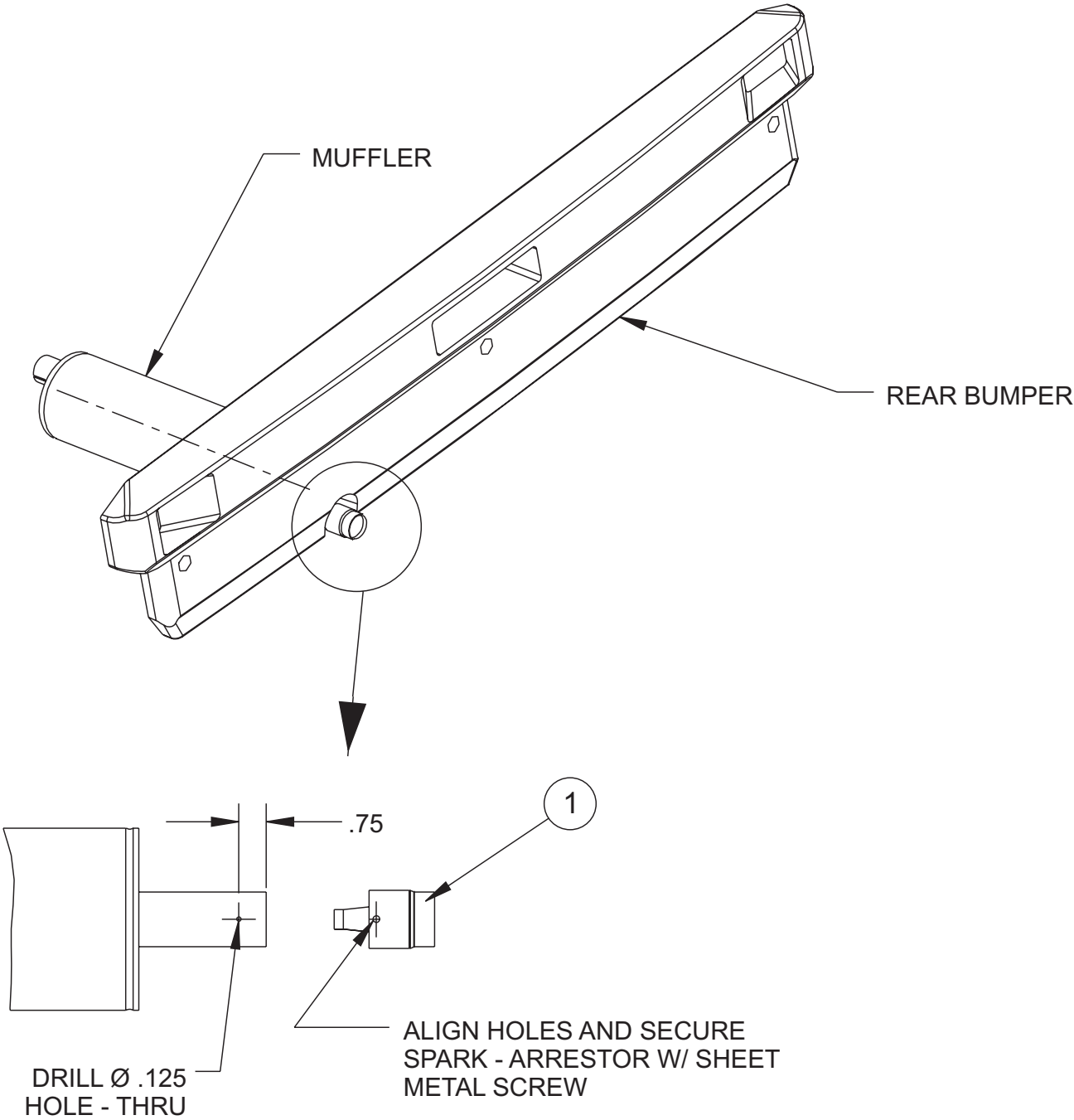
PROTOTECTOSEAL GAS CAP OPTION



<u>KEY NO.</u>	<u>PART NUMBER</u>	<u>DESCRIPTION</u>	<u>QTY.</u>
1	8-11-00024	Protoseal Gas Cap	1

C1156

SPARK ARRESTOR OPTION



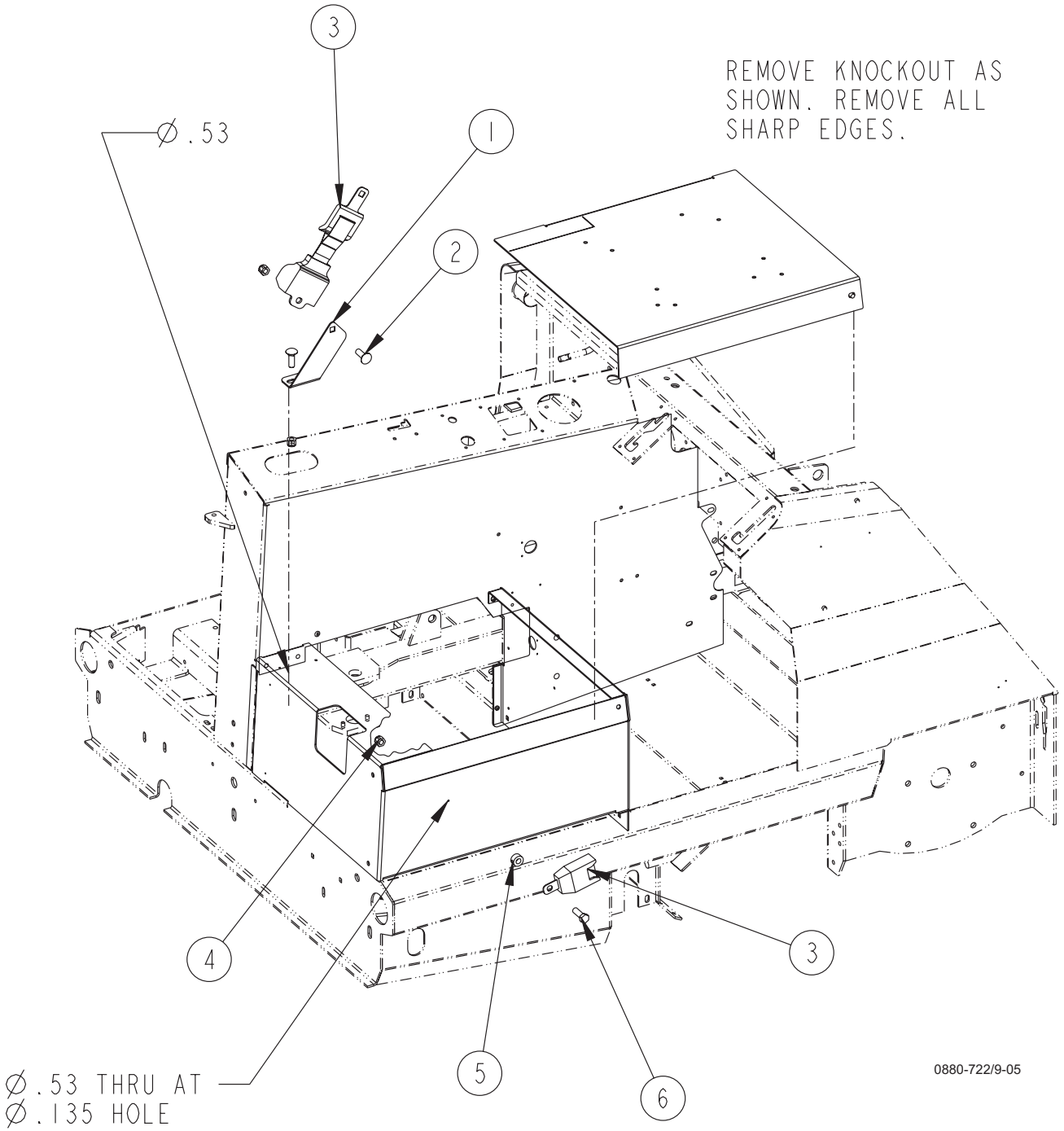
C1146

OPTION NO. 0880-608

<u>KEY NO.</u>	<u>PART NUMBER</u>	<u>DESCRIPTION</u>	<u>QTY.</u>
1	8-81-05001	Spark Arrestor	1

C1146/9901

RETRACTABLE SEATBELT OPTION

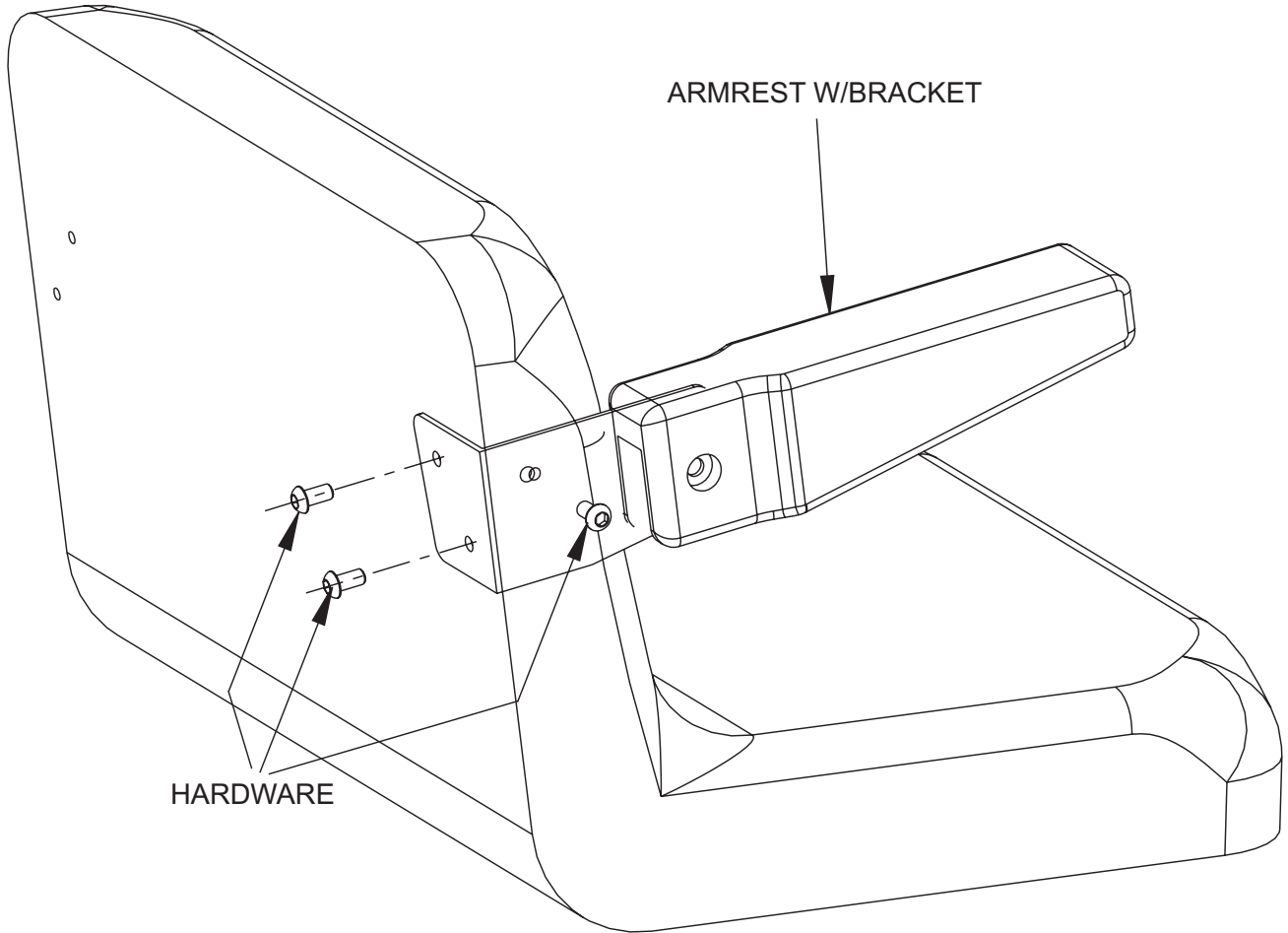


0880-722/9-05

OPTION NO. 0880-722

KEY NO.	PART NUMBER	DESCRIPTION	QTY.
1	8-08-00971	Bracket, Seat Belt	1
2	2-00-05077	Carriage Bolt, 1/2-13 x 1.5	2
3	2-00-05391	Retractable Seatbelt	1
4	2-00-04936	Nut, 1/2 -13 Fibre Lock	3
5	2-00-03589	Collar, Set Screw	1
6	2-00-01254	Screw, 1/2-13 x 1.5 Hex	1

0880-722/9-05

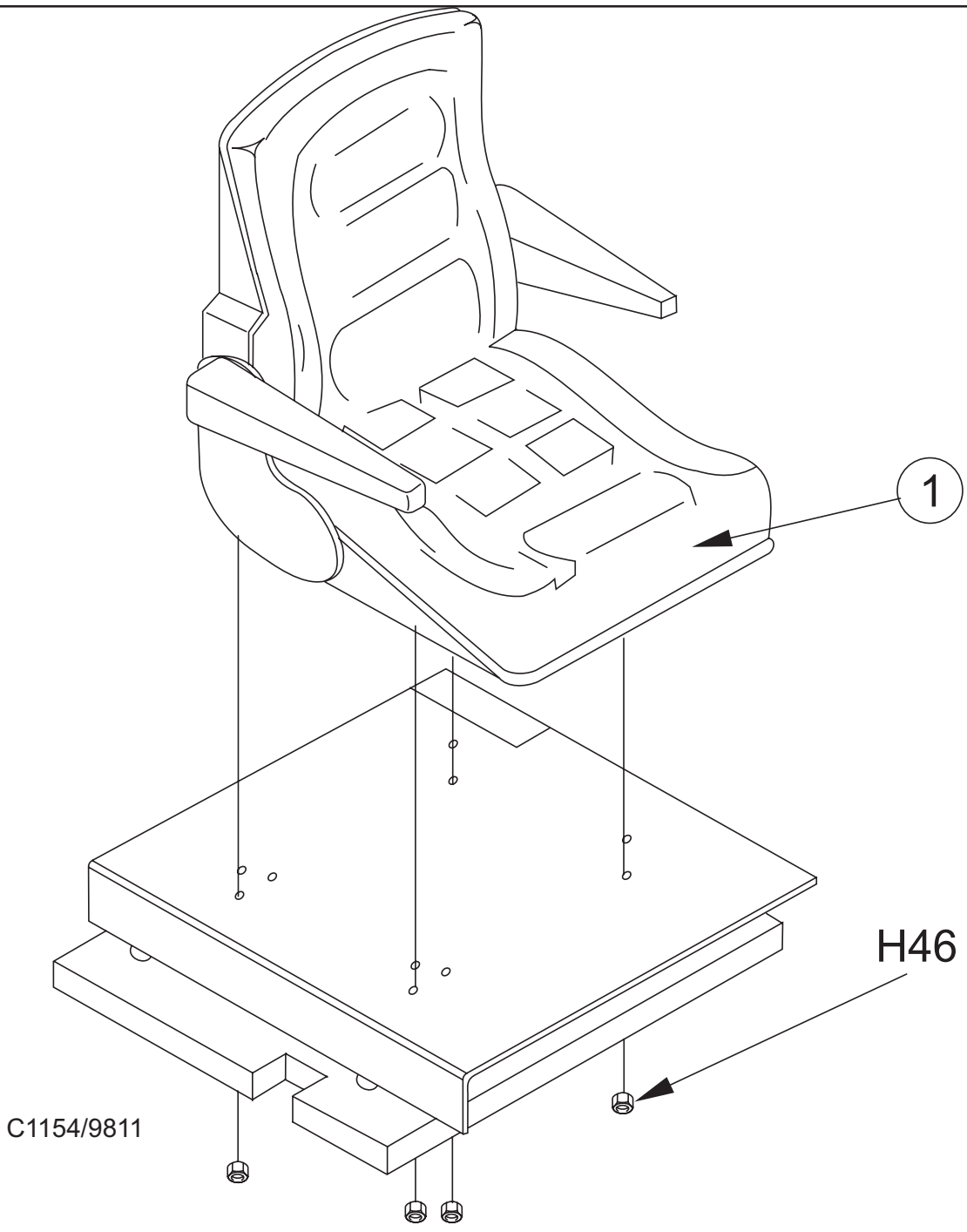


OPTION NO. 0780-606*

***Includes armrest with bracket and hardware to attach to existing seat.
(For service, order Kit #7-03-04250)**

0780-606/9-03

SUSPENSION SEAT OPTION

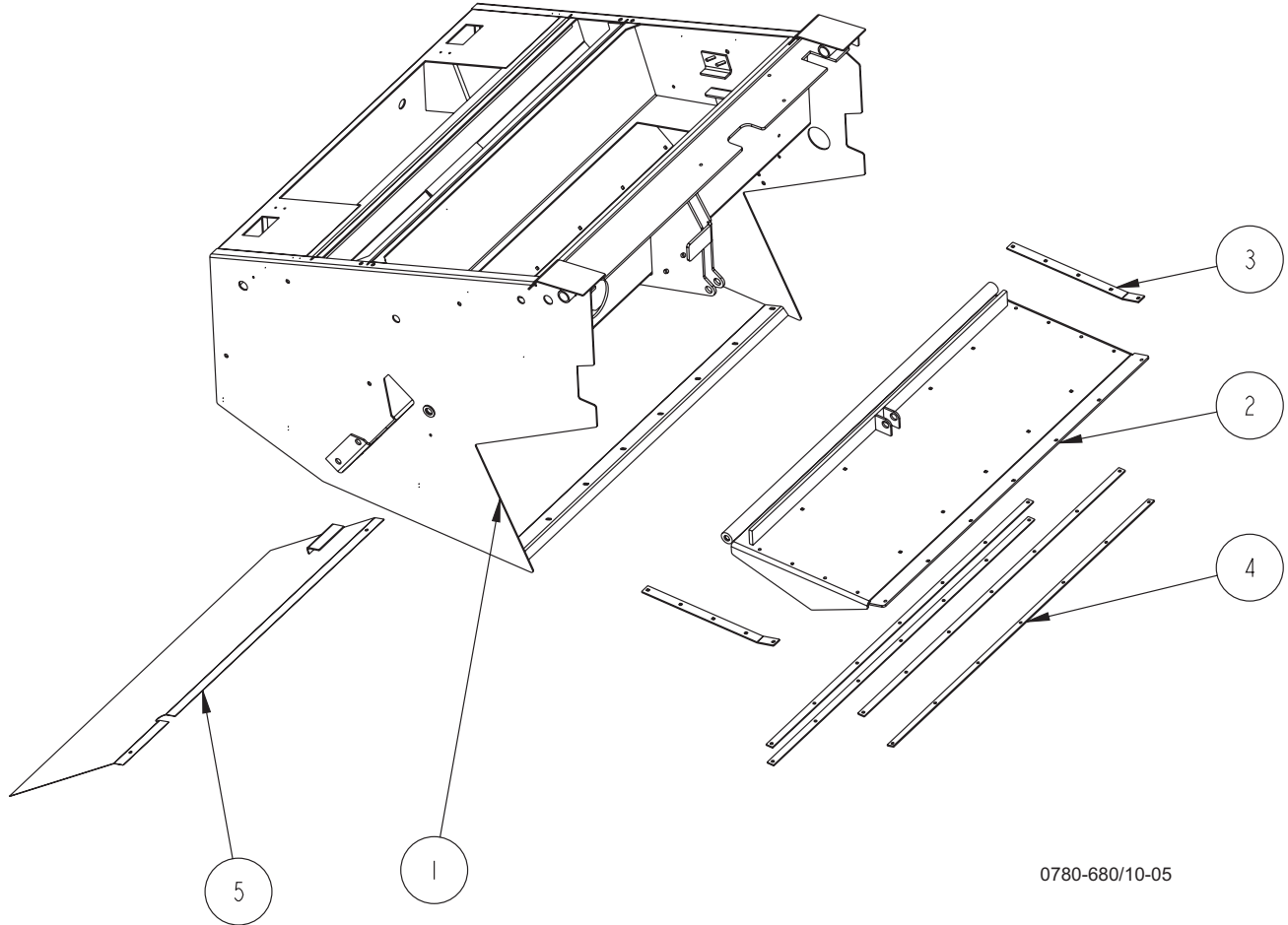


OPTION NO. 0880-734

<u>KEY NO.</u>	<u>PART NUMBER</u>	<u>DESCRIPTION</u>	<u>QTY.</u>
1	8-69-00019	Seat - Suspension	1
HARDWARE USED:			
H46	2-00-00644	Nut, 5/16-18, Insert Fiber	4

C1154/9901

STAINLESS STEEL HOPPER OPTION



0780-680/10-05

OPTION NO. 0780-680

<u>KEY NO.</u>	<u>PART NUMBER</u>	<u>DESCRIPTION</u>	<u>QTY.</u>
1	8-32-06105-1	Hopper, Stainless Steel	1
2	8-19-08058-2	Door, Hopper (Welded)	1
3	8-13-07118-1	Clamp, Dump Door Seal	2
4	8-13-07119-1	Clamp, Dump Door Seal	4
5	8-52-00191-1	Panel, Stainless Steel Hopper Seal	1

IN LIEU OF STANDARD PARTS 8-32-06105, 8-19-08058, 8-13-07118, 8-13-07119, 8-52-00191.

0780-680/10-05

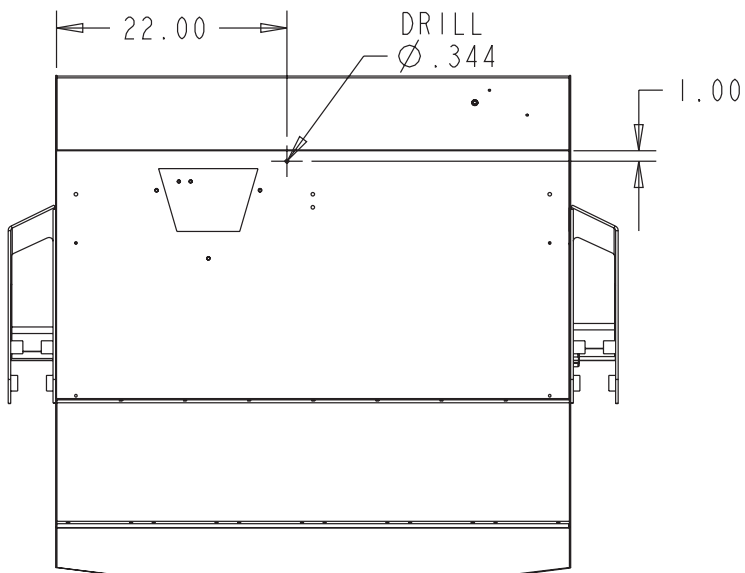
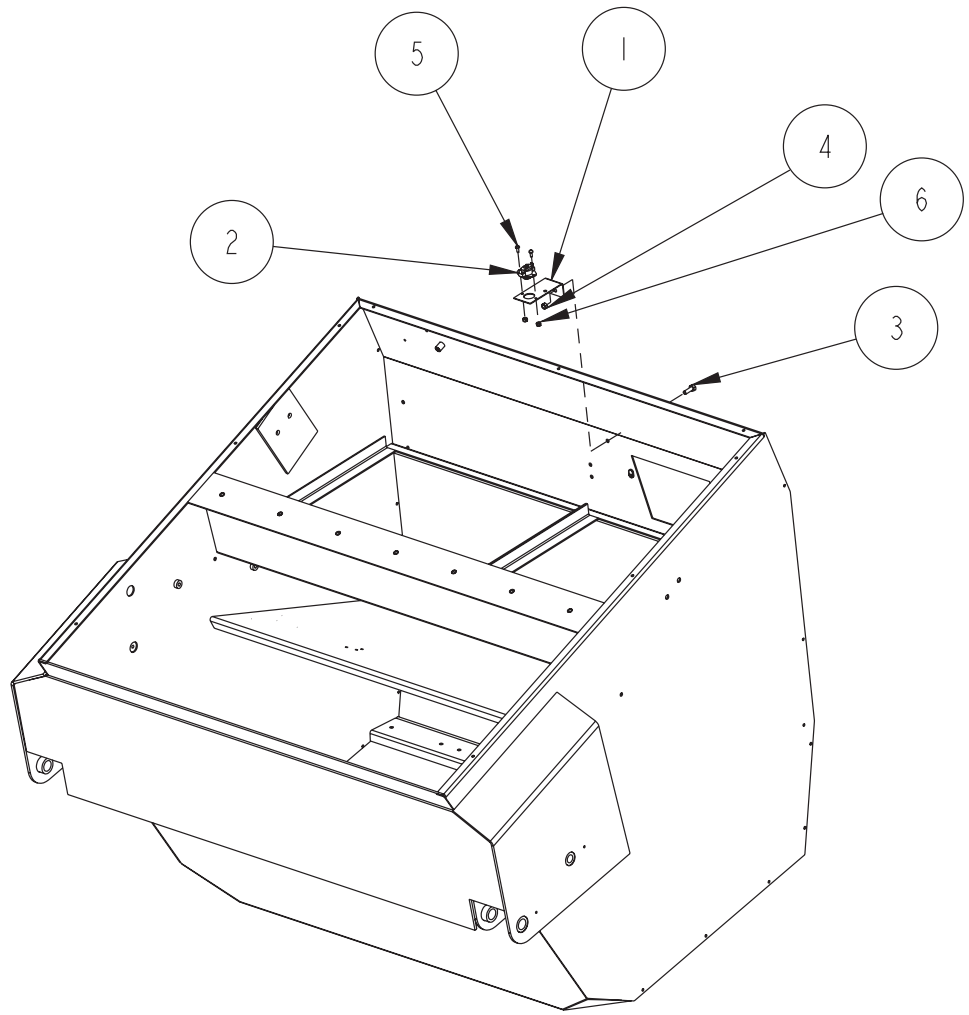
HOPPER HIGH TEMPERATURE SHUTDOWN OPTION

OPTION NO. 0780-694

<u>KEY NO.</u>	<u>PART NUMBER</u>	<u>DESCRIPTION</u>	<u>QTY.</u>
1	8-08-00803	Bracket, Temperature Switch	1
2	8-82-00056	Switch, Thermostat	1
3	2-00-02708	Screw, 5/16-18 x 1.0 Hex Head	1
4	2-00-00644	Nut, 5/16-18 Fiber Insert Hex	1
5	2-00-00049	Screw, 10-24 x 1/2 RHM	2
6	2-00-01246	Nut, 10-24 Elastic Stop	2

0780-694/1-05

HOPPER HIGH TEMPERATURE SHUTDOWN OPTION



0780-694

TIRE OPTIONS

OPTION NO. 674

<u>KEY NO.</u>	<u>PART NUMBER</u>	<u>DESCRIPTION</u>	<u>QTY.</u>
1*	8-89-08081	Wheel Assy., Pneumatic Foam-filled (Rear)	1
2*	8-89-08080	Wheel Assy., Pneumatic Foam-filled (Front)	2

*No serviceable parts

~OPTION NO. 675

<u>KEY NO.</u>	<u>PART NUMBER</u>	<u>DESCRIPTION</u>	<u>QTY.</u>
1	8-89-08070	Wheel Assy., Solid Pneum. Soft Shoe Lug Tread (Rear)	1
2	8-89-08071	Wheel Assy., Solid Pneum. Soft Shoe Lug Tread (Front)	2

~OPTION NO. 676

<u>KEY NO.</u>	<u>PART NUMBER</u>	<u>DESCRIPTION</u>	<u>QTY.</u>
1	8-89-08088	Wheel Assy., Solid Pneum. Non-Mark Lug Tread (Rear)	1
2	8-89-08087	Wheel Assy., Solid Pneum. Non-Mark Lug Tread (Front)	2

~Service Parts

For 8-89-08070 & 8-89-08088:
 8-33-09088 - Inner Rim Half
 8-65-05017 - Outer Rim Half
 7-85-06029 - Tire Only
 8-80-05035 - Studs (Qty. 6)

For 8-89-08071 & 8-89-08087:
 8-65-05015 - Rim Assy. (5 x 8 x 3.75)
 7-85-06029 - Tire Only

>OPTION NO. 677

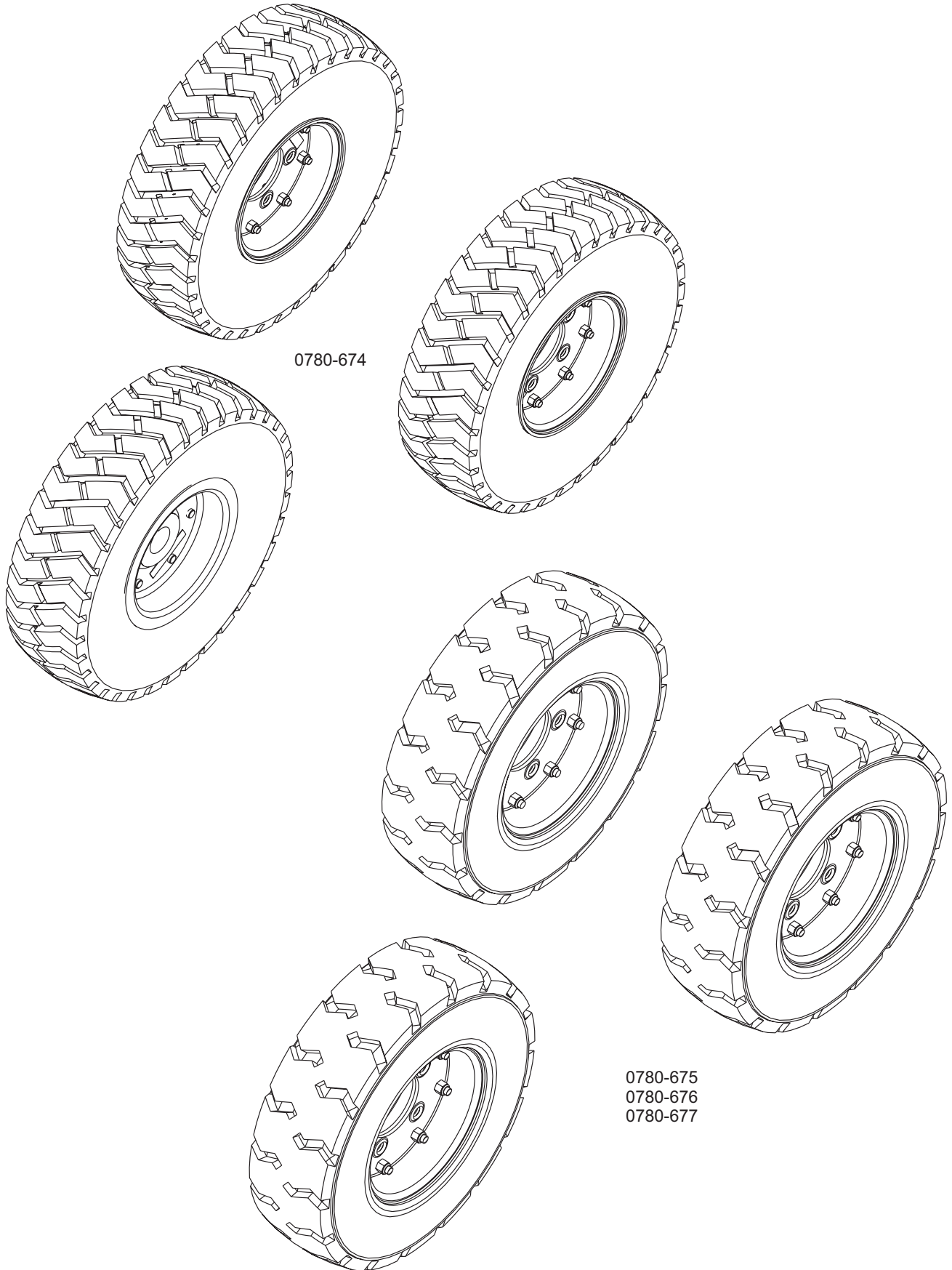
<u>KEY NO.</u>	<u>PART NUMBER</u>	<u>DESCRIPTION</u>	<u>QTY.</u>
1	8-89-08085	Wheel Assy., Solid Pneum. Man-Toter Lug Tread (Rear)	1
2	8-89-08084	Wheel Assy., Solid Pneum. Man-Toter Lug Tread (Front)	2

>Service Parts

For 8-89-08085:
 8-33-09088 - Inner Rim Half
 8-65-05017 - Outer Rim Half
 7-85-06027 - Tire Only
 8-80-05035 - Studs (Qty. 6)

For 8-89-08084:
 8-65-05015 - Rim Assy. (5 x 8 x 3.75)
 7-85-06027 - Tire Only

0780-674-677/12-05



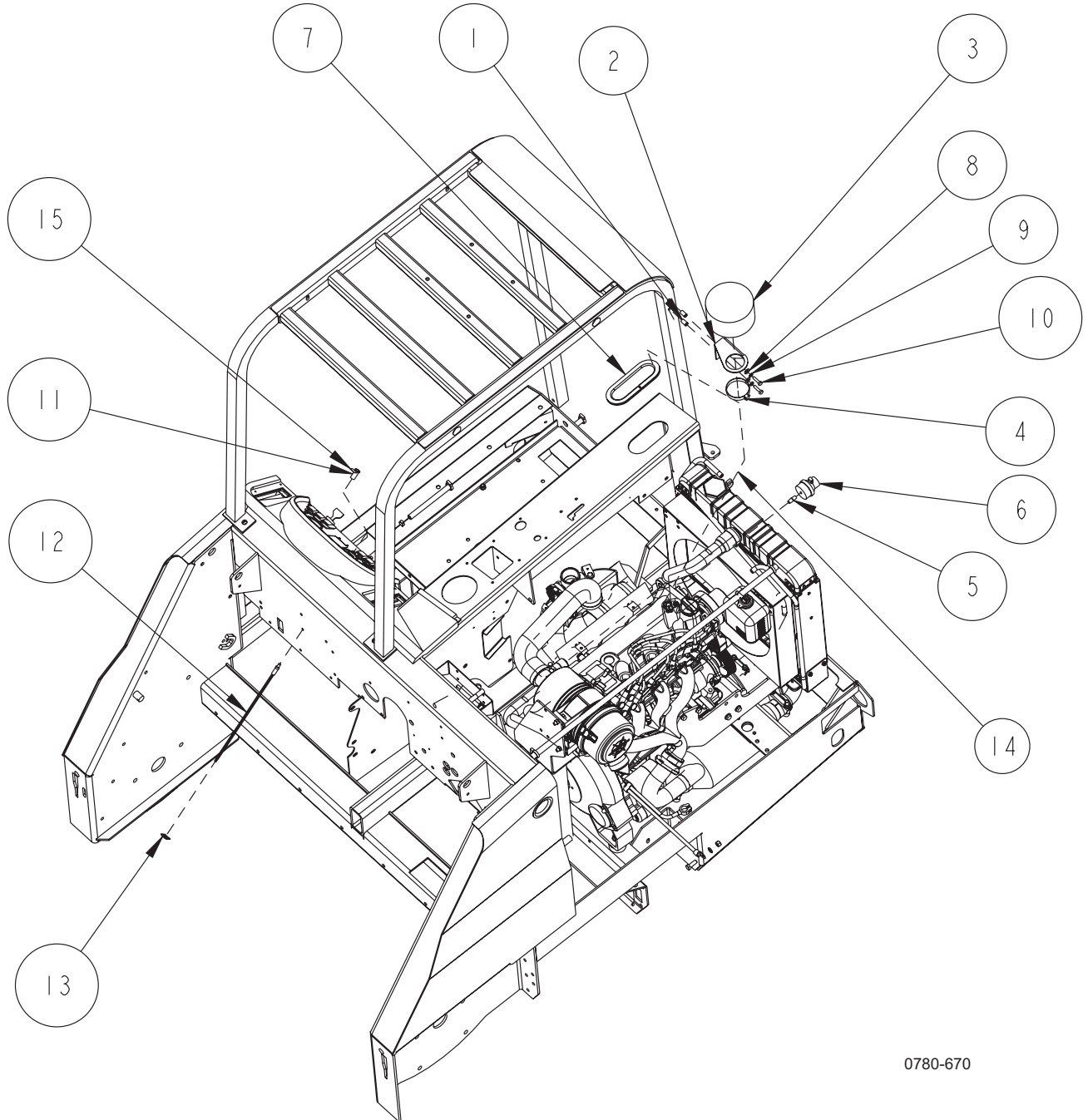
SE AIR CLEANER W/ RAISED INTAKE OPTION (W/ OVERHEAD GUARD)

OPTION NO. 0780-670

<u>KEY NO.</u>	<u>PART NUMBER</u>	<u>DESCRIPTION</u>	<u>QTY.</u>
1	2-00-02561	Insert, 1/4-20 Threaded	2
2	7-08-01336	Bracket	1
3	7-24-04107	Filter, Pre-Cleaner	1
4	2-00-02216	Clamp, Hose	1
5	2-00-03875	Nipple, Brass Close	1
6	7-82-00065	Switch, Dust Load Indicator	1
7	7-21-03003	Edging	1
8	2-00-03702	Washer, .625 x .281 x .063	2
9	2-00-00518	Lock Washer, 1/4" Helical Spring	2
10	2-00-00205	Bolt, 1/4-20 Fin. Hex Head	2
11	7-41-03004-1	Lens, Red	1
12	7-40-05027	Lamp Assembly	1
13	2-00-04735	Clip, Spring	1
14	3-71-00302	Hose	10 ft.
15	8-18-00144	Decal	1

0780-670/2-06

SE AIR CLEANER W/ RAISED INTAKE OPTION (W/ OVERHEAD GUARD)



0780-670

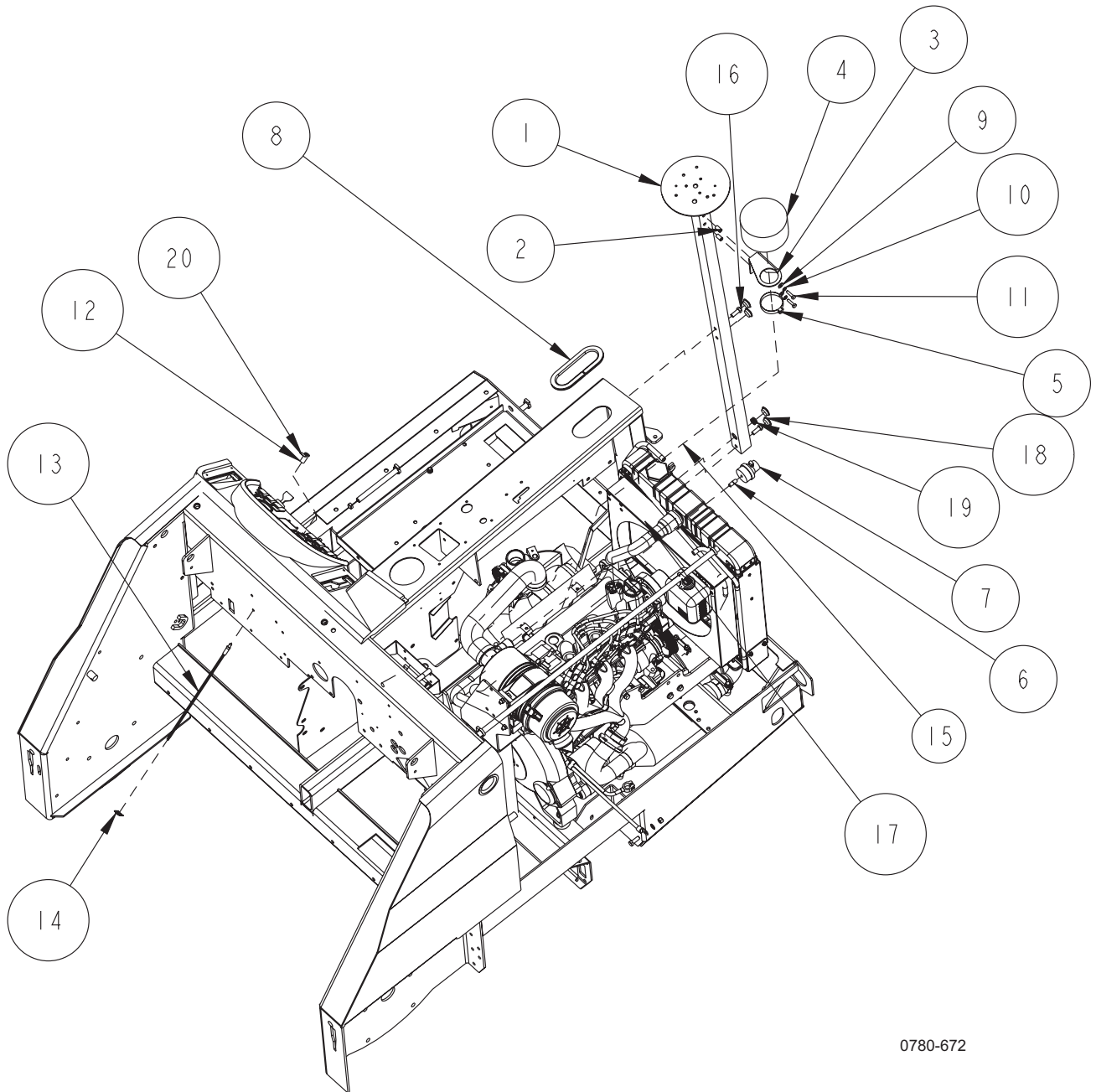
SE AIR CLEANER W/ RAISED INTAKE OPTION (NO OVERHEAD GUARD)

OPTION NO. 0780-672

<u>KEY NO.</u>	<u>PART NUMBER</u>	<u>DESCRIPTION</u>	<u>QTY.</u>
1	8-81-00173	Pole, Light	1
2	2-00-02561	Insert, 1/4-20 Threaded	2
3	7-08-01336	Bracket	1
4	7-24-04107	Filter, Pre-Cleaner	1
5	2-00-02216	Clamp, Hose	1
6	2-00-03875	Nipple, Brass Close	1
7	7-82-00065	Switch, Dust Load Indicator	1
8	7-21-03003	Edging	1
9	2-00-03702	Washer, .625 x .281 x .063	2
10	2-00-00518	Lock Washer, 1/4" Helical Spring	2
11	2-00-00205	Bolt, 1/4-20 x 1.0 Fin. Hex Head	2
12	7-41-03004-1	Lens, Red	1
13	7-40-05027	Lamp Assembly	1
14	2-00-04735	Clip, Spring	1
15	3-71-00302	Hose	10 ft.
16	2-00-00233	Bolt, 3/8-16 x 1.0 Fin. Hex Head	2
17	2-95-04182	Nut, 3/8-16 Hex Stop	2
18	2-00-05134	Plug Button	4
19	2-00-00491	Grommet	1

0780-672/2-06

SE AIR CLEANER W/ RAISED INTAKE OPTION (NO OVERHEAD GUARD)



0780-672

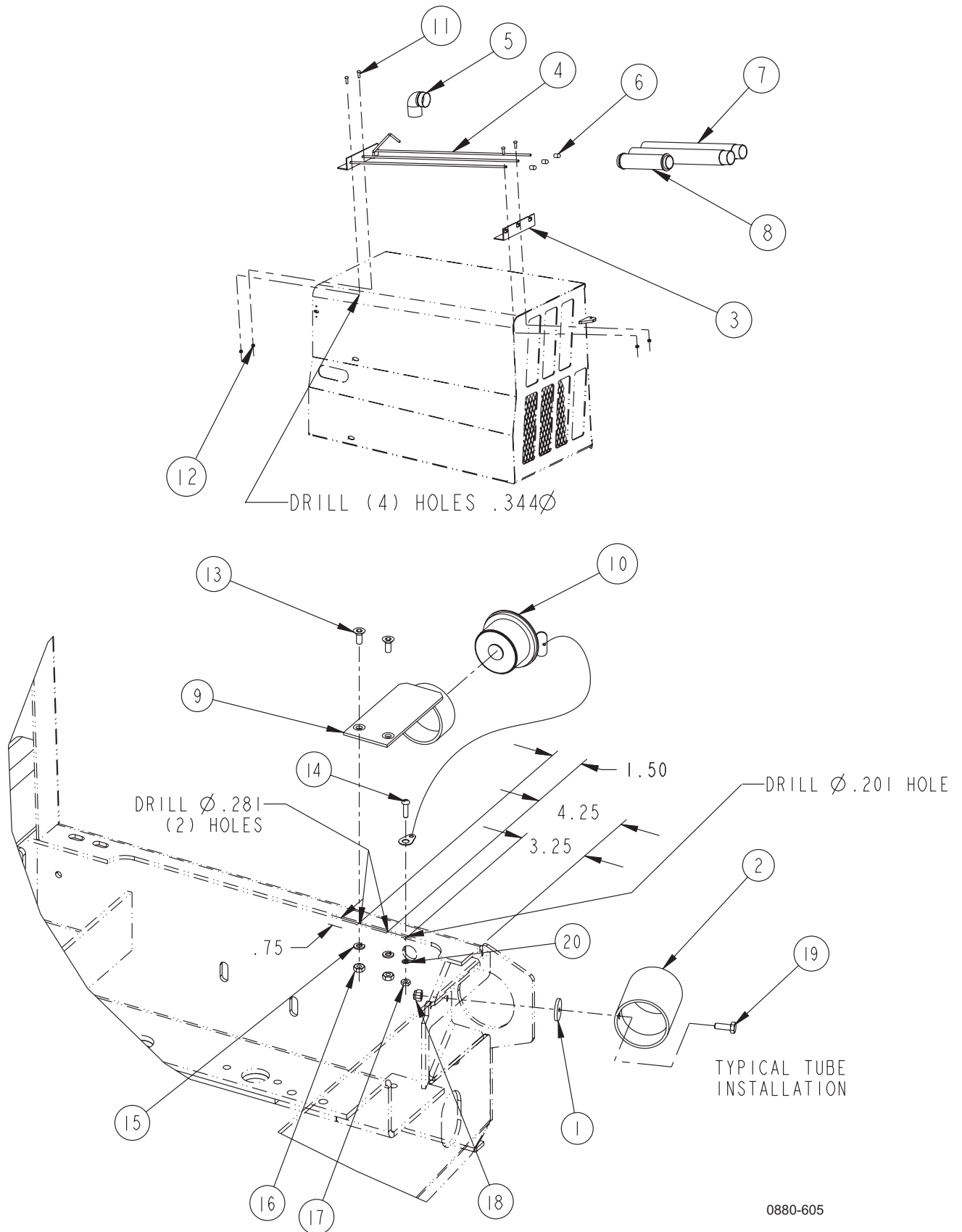
BLOWER WAND OPTION

OPTION NO. 0880-605

<u>KEY NO.</u>	<u>PART NUMBER</u>	<u>DESCRIPTION</u>	<u>QTY.</u>
1	2-14-03197	Rubber Washer	2
2	8-87-02115	Tube, Blower Wand	2
3	8-08-00622	Bracket, Latch	1
4	8-08-00670	Bracket, Blower Comp Storage	1
5	8-21-07019	Adapter, 90 Elbow	1
6	8-11-00034	Cap	4
7	8-89-00002	Wand Section	2
8	8-33-02121	Hose	1
9	8-65-00048	Plug Retainer (Weldment)	1
10	8-25-02038	Plug, Blower Wand	1
11	2-00-01481	Screw, .31 x 1.0 RHM	4
12	2-00-00644	Nut, .31-18 Fiber Insert	4
13	2-00-03027	Screw, 1/4-20 x .63 HSFHC	2
14	2-00-00056	Screw, 10-24 x 3/4 RHM	1
15	2-00-00518	Lock Washer, 1/4 Med.	2
16	2-00-00594	Nut, 1/4-20 Fin. Hex	2
17	2-00-00605	Nut, 10-24 Hex	1
18	2-00-00641	Nut, 1/4-20 Fiber Insert	2
19	2-00-00221	Screw, 1/4-20 x 3/4 HHC	2
20	2-00-00519	Lock Washer, #10 Med.	1

0880-605/2-96

BLOWER WAND OPTION



SPARE PARTS KIT/MITSUBISHI S4L2 DIESEL ENGINE SERVICE PARTS

OPTION NO. 0860-752

<u>KEY NO.</u>	<u>PART NUMBER</u>	<u>DESCRIPTION</u>	<u>QTY.</u>
1	8-25-08222	Flap, Broom Door Outer	2
2	8-25-08198	Flap, Broom Door Inner	2
3	8-25-08194	Flap, Wheel Well	1
4	8-25-08197	Flap, Rear Inside Frame	1
5	8-25-08196	Flap, Frame Rear Outside	1
6	8-24-04139-1	Hopper Panel Filter	1
7	8-25-08202	Hopper Flap	1
8	8-68-05075	Seal, Dump Door - Sides	2
9	8-68-05077	Seal, Dump Door - Lip	1
10*	7-24-04085	Engine Main Air Filter	1
	7-24-04086	Engine Safety Air Filter	1
11	2-00-05989	Belt, Alternator/Fan	1
12	7-24-04088	Fuel Filter	1
13	7-24-04099	Engine Oil Filter	1
14	8-24-04118	Hydraulic Filter Element	1
15	8-68-05076	Seal, Dump Door (Foam)	1

*Both filters should be replaced at the same time

ADDITIONAL MITSUBISHI S4L2 ENGINE SERVICE PARTS

<u>PART NUMBER</u>	<u>DESCRIPTION</u>	<u>QTY</u>
7-24-04099	Oil Filter	1
7-84-08017	Thermostat	1
7-29-00313	Gasket, Thermostat	1
7-60-05049	Water Pump	1
7-29-00311	Gasket, Water Pump	1
7-75-03005	Glow Plug	4
7-64-00041	Relay, Glow Plug (installed on wire harness)	1
0775-288	Alternator	1
2-00-05989	Belt, Alternator/Fan	1
7-29-00337	Gasket, Cylinder Head	1
7-56-04075	Pipe, Cylinder #1	1
7-56-04076	Pipe, Cylinder #2	1
7-56-04077	Pipe, Cylinder #3	1
7-56-04078	Pipe, Cylinder #4	1
7-82-00056	Switch, Water Temperature	1
8-82-00070	Sending Unit, Water Temperature	1
0775-286	Starter	1
2-00-04982	Fitting, 1/8 NPT Street Tee	1
7-82-00055	Switch, Oil Pressure	2
0895-134	Wiring Harness	1
7-16-05044	Coupling, Engine	1
7-58-05335	Casting, Pump Plate	1
7-64-00040	Relay, Murphy (installed on wire harness)	1
7-24-04088	Fuel Filter	1
2-86-00383	Operators Handbook	
2-86-00384	Parts Catalog	
2-86-00405	Service Manual	

SPARE PARTS KIT/FORD 416EFI GAS/LP SERVICE PARTS

OPTION NO. 0860-751			
<u>KEY NO.</u>	<u>PART NUMBER</u>	<u>DESCRIPTION</u>	<u>QTY.</u>
1	8-25-08222	Flap, Broom Door Outer	2
2	8-25-08198	Flap, Broom Door Inner	2
3	8-25-08194	Flap, Wheel Well	1
4	8-25-08197	Flap, Rear Inside Frame	1
5	8-25-08196	Flap, Frame Rear Outside	1
6	8-24-04139-1	Hopper Panel Filter	1
7	8-25-08202	Hopper Flap	1
8	8-68-05075	Seal, Dump Door-Sides	2
9	8-68-05077	Seal, Dump Door-Lip	1
10*	7-24-04085*	Engine Air Filter (Main)	1
	7-24-04086*	Engine Air Filter (Safety)	1
11	2-00-05990	Belt, Alternator/Water Pump	1
12	7-24-04067	Fuel Filter	1
13	8-24-04156	Engine Oil Filter	1
14	8-24-04118	Hydraulic Filter Element	1
15	8-68-05076	Seal, Dump Door (Foam)	1

*Both filters should be replaced at the same time

ADDITIONAL FORD 416 ENGINE SERVICE PARTS

<u>PART NO.</u>	<u>DESCRIPTION</u>	<u>QTY.</u>
7-23-00025	Fan	1
2-00-06092	Belt, Fan	1
0782-652	Thermostat	1
7-11-04071	Mixer, Ford 416 LP Engine (EXPORT)	1
7-11-04054	Mixer, Ford 416 LP Engine (N. Am. certified)	1
7-88-00110	LP Safety Valve	1
7-11-04062	HEGO Sensor (Pre Cat)	1
7-11-04055	TMap Sensor	1
7-11-04065	Light, Malfunction Indicator	1
7-11-04066	O ₂ Sensor (Post Cat Monitor)	1
7-75-03007	Spark Plug	4
7-90-08017	Spark Plug Wire #1	1
7-90-08018	Spark Plug Wire #2	1
7-90-08019	Spark Plug Wire #3	1
7-90-08020	Spark Plug Wire #4	1
7-14-07015	Coil Pack	1
7-11-04041	Throttle Body	1
7-21-07005	Elbow, Vacuum	1
7-11-04046	LP Regulator (EXPORT)	1
7-11-04043	LP Regulator (N.Am. certified)	1
7-11-04045	MegaJector (N. Am. certified)	1
7-11-04037	Catalytic Converter	1
0775-292	Alternator	1
0775-291	Starter	1
0769-030	Fuel Pump	1
7-60-05062	Water Pump	1
7-29-00	Gasket, Water Pump	1
7-11-04041	Throttle Body	1
7-21-07005	Elbow, Vacuum	1
0769-031	EPM w/Calibration (N. Am. certified)	1
0769-032	EPM w/Calibration (EXPORT)	1
7-08-01188	Bracket, Fuel Filter	1
2-00-04641	Fitting, 3/8 NPT Close Nipple	1
2-00-06539	Fitting, 3/8 NPT - 5/8 Hose Nipple	1
2-00-06540	Fitting, NPT Brass "T"	1
2-00-05447	Fitting, 5/8 Nylon Hose "T"	1
2-86-00394	Operators Handbook	
2-86-00395	Parts Catalog	
2-86-00390	Service Manual	

American-Lincoln®

14600 21st Avenue North
Plymouth, MN 55447-3408
www.americanlincoln.com
Phone: 800-331-7692
Fax: 877-877-2586
©2006 American-Lincoln