



## Electronic Service Manuals

This electronic document is provided as a service to our customers. We do not create the contents of the information contained in this document. Should you have detailed questions pertaining to the information contained in this document, you may contact Michco, or the manufacturer which provided the original information in this electronic deliverable. Michco's only part in this electronic deliverable was the electronic assembly process. By providing this manual on line we are not guaranteeing parts availability.

You may contact Michco through the following methods:

Phone (517) 484-9312 or (800) 331-3339

2011 N. High St. -- Lansing, Michigan -- 48906

Fax: (517) 484-9836

Email: [CustServe@Michco.com](mailto:CustServe@Michco.com)

Web site: [www.Michco.Com](http://www.Michco.Com)

Parts Web site: [www.FloorMachineParts.Com](http://www.FloorMachineParts.Com)

Order Parts on Line at:

**[www.FloorMachineParts.Com](http://www.FloorMachineParts.Com)**

Directly to Parts & Service:

By Email: **[Shop@Michco.com](mailto:Shop@Michco.com)**

By Fax: (517) 702-2041

By Voice: Use numbers above.

**Serving the Cleaning Industry Since 1922**

Notice: All copyrighted material remains property of original owners, all trademarks are property of respective owners. Manuals are subject to Manufacturer's reproduction limitations. Originals or reproductions were provided by manufacturers through a request. We make no warranty as to the correctness of information provided in this document and you assume all risk. By placing these manuals on line we are not declaring our corporation to be an manufacturer authorized dealer or provider, please check our web site for authorized manufacturers we represent.

# American-Lincoln®

---

## 7765, 7760

---



---

### **PARTS LIST**

**American-Lincoln Models (7765): 505-255, 505-256, 505-257, 505-258, 505-259  
505-260, 505-261**

**Alto Models (7760): 505-255CE, 505-256CE, 505-257CE, 505-258CE, 505-259CE  
505-260CE**

**TABLE OF CONTENTS**

**2**

**7765, 7760**

<b>DESCRIPTION</b>	<b>Page</b>
Main Frame (Variable Dump) .....	4
Main Frame (Manual Dump) .....	6
Main Broom Assembly.....	8
Main Broom Lift Linkage.....	10
Side Broom Assy. (Variable Dump) .....	12
Broom and Brush Chamber Door.....	14
Hopper System (Manual Dump).....	16
Hopper System (Variable Dump).....	18
Hopper Filter and Impeller .....	20
Hopper Control Valve & Hopper Dump Linkage (Variable Dump) .....	22
Scrub Deck and Brushes.....	24
Rear and Side Squeegees .....	26
Squeegee Lift .....	28
Swing Squeegee Support.....	30
Solution Tank .....	32
Solution Feed Linkage.....	34
Recovery Tank .....	36
Recovery Tank Lid.....	38
Vacuum Motor & Float.....	40
Front Wheel and Brake .....	42
Brake Linkage .....	44
Rear Wheel .....	46
For/Rev Control – GM 3.0 .....	48
For/Rev Control – GM 3.0 - Foot Pedal Assy. ....	50
For/Rev Control – Mitsubishi .....	52
Operator Compartment .....	54
Hydraulic Hose System (Variable Dump) .....	56
Suction & Return Hoses (Variable Dump) .....	58
Hydraulic Hose System (Manual Dump) .....	60
Suction & Return Hoses (Manual Dump) .....	62
Main Broom Motor and Fittings .....	64
Side Broom Motor and Fittings.....	65
Scrub Motors and Fittings .....	66
Squeegee and Scrub Deck Cylinders and Fittings.....	67
Power Steering, Hopper Dump & Hopper Lift Cyl's and Fittings .....	68
Rear Wheel Motor and Fittings.....	70
Hydraulic Reservoir, Filter, and Fittings.....	72
Drive Pump and Fittings .....	74
Vacuum Motor and Fittings.....	75
Dust Control Impeller and Fittings .....	76
Power Steering Unit and Fittings.....	77
Main Control Valve and Fittings.....	78
Return Manifold and Fittings (Variable Dump).....	80
Return Manifold and Fittings (Manual Dump).....	82
Cylinder Control Valve and Fittings .....	84
Auxiliary Pump and Fittings - GM 3.0.....	86
Auxiliary Pump and Fittings – Mitsubishi.....	87
Battery .....	88
Engine Cover.....	90
Fuel Tank (Gas).....	92

<b>DESCRIPTION</b>	<b>Page</b>
GM 3.0 Liter Gas Engine (Air Filtration System) .....	94
GM 3.0 Liter LP Engine (Air Filtration System).....	96
GM 3.0 Liter Engine - Gas & LP (Supports, Brackets) .....	98
GM 3.0 Liter Engine - Gas & LP (Exhaust System).....	100
GM 3.0 Liter Engine - Gas & LP (Fan, Radiator Hoses).....	102
Fuel Tank Assembly (LP).....	104
Fuel Tank Assembly CE (LP).....	106
Mitsubishi S4Q2 Diesel Engine (Fan, Exhaust, Hoses) .....	108
Mitsubishi S4Q2 Diesel Engine (Supports, Brackets, Throttle) .....	110
Mitsubishi S4Q2 Diesel Engine (Fuel System).....	112
Mitsubishi S4Q2 Diesel Engine (Air Filtration System).....	114
Fuel Tank (Diesel).....	116
Radiator Assembly .....	118
Decals .....	120
CE Kit .....	122
Steering and Instrument Panel .....	124
Instrument Panel Connections .....	126
Spare Parts .....	128-130
Engine Service Parts - Mitsubishi S4Q2 Diesel.....	131
Engine Service Parts - GM 3.0 Gas/LP .....	132-133
Machine Harness Wiring Diagram.....	135
Hydraulics Schematic (Variable Dump).....	136
Hydraulics Schematic (Manual Dump) .....	137
Electrical Schematic .....	138

**WHEN ORDERING PARTS**

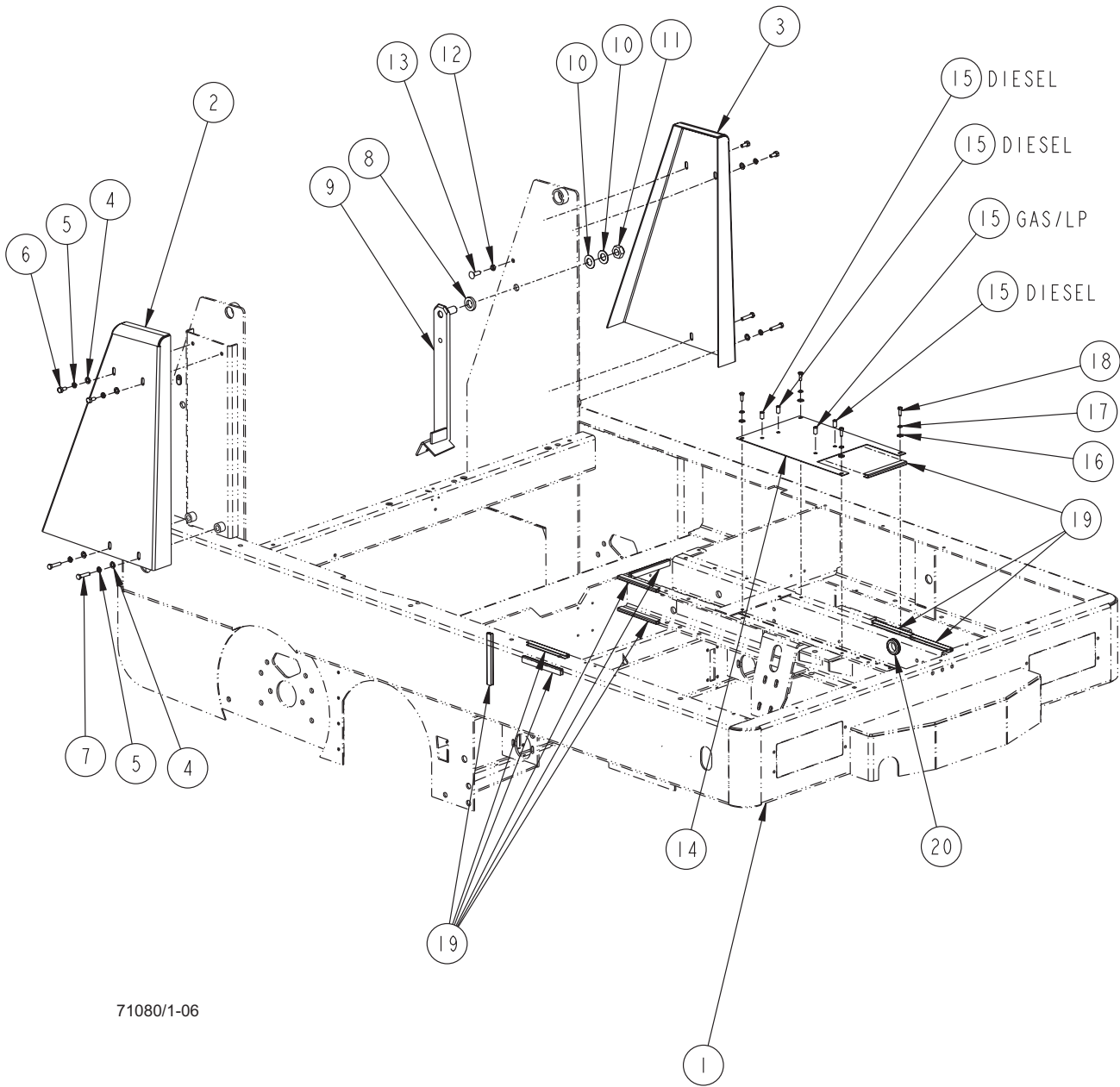
- \* Use the 6 to 8 digit numbers from the "Ref. No." columns in this parts list.
- \* Specify the model and serial number of the machine.
- \* Use the space below to record the model and serial number for future reference.

Model \_\_\_\_\_ Serial No. \_\_\_\_\_

MAIN FRAME - VARIABLE DUMP

4

7765, 7760

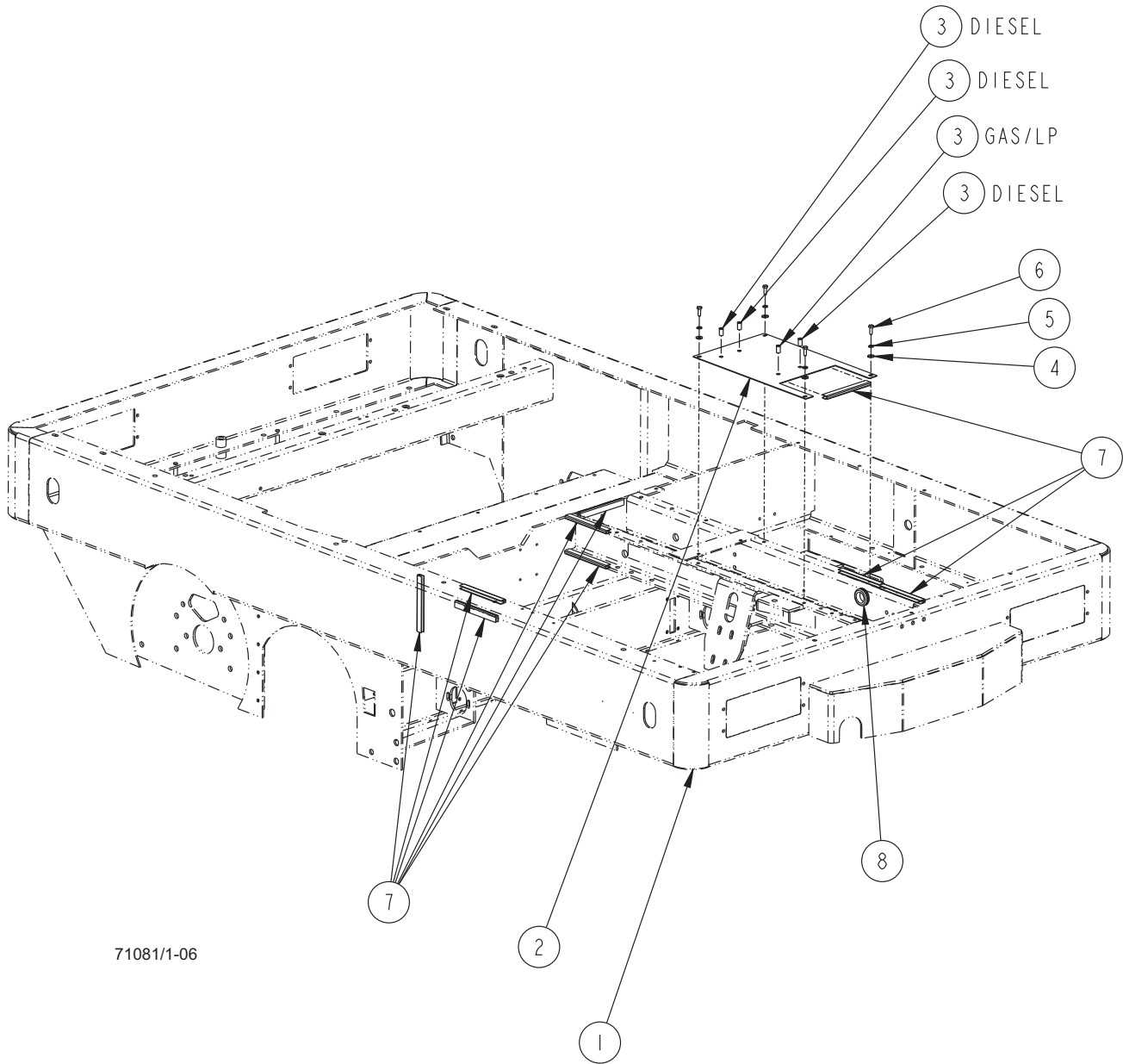


71080/1-06

**MAIN FRAME - VARIABLE DUMP****7765, 7760****5**

Item	Ref. No.	Qty	Description
1	7-27-07231	1	Main Frame
2	7-16-07313	1	Cover, LH Support Wing
3	7-16-07314	1	Cover, RH Support Wing
4	2-00-00409	8	Flat Washer, .687 x .344 x .062
5	2-00-00530	8	Lock Washer, 5/16 Med HS
6	2-00-00208	4	Screw, 5/16-18 x 3/4 HHC
7	2-00-00225	4	Screw, 5/16-18 x 1.50 Lg HHC
8	7-75-01167	1	Spacer
9	7-81-00189	1	Support, Safety Arm (Right)
10	2-00-05807	2	Washer, 3/4 Spring
11	2-00-05255	1	Nut
12	2-00-02369	1	Nut, 3/8-16 Hex Jam
13	2-00-05187	1	Carriage Bolt, 3/8-16 x 1.0"
14	7-16-07386	1	Cover, Steering Gear Assy.
15	2-00-05261	4	Insert, 1/4-20 Threaded
16	2-00-03702	4	Flat Washer, .562 x .265 x .062
17	2-00-00518	4	Lock Washer, 1/4 Helical Spring
18	2-00-00221	4	Bolt, 1/4-20 x 3/4 Fin. Hex Head
19	7-21-04031	9	Edging, Brush Drive Support
20	2-00-04721	1	Rubber Grommet

71080



71081/1-06

**MAIN FRAME - MANUAL DUMP****7765, 7760****7**

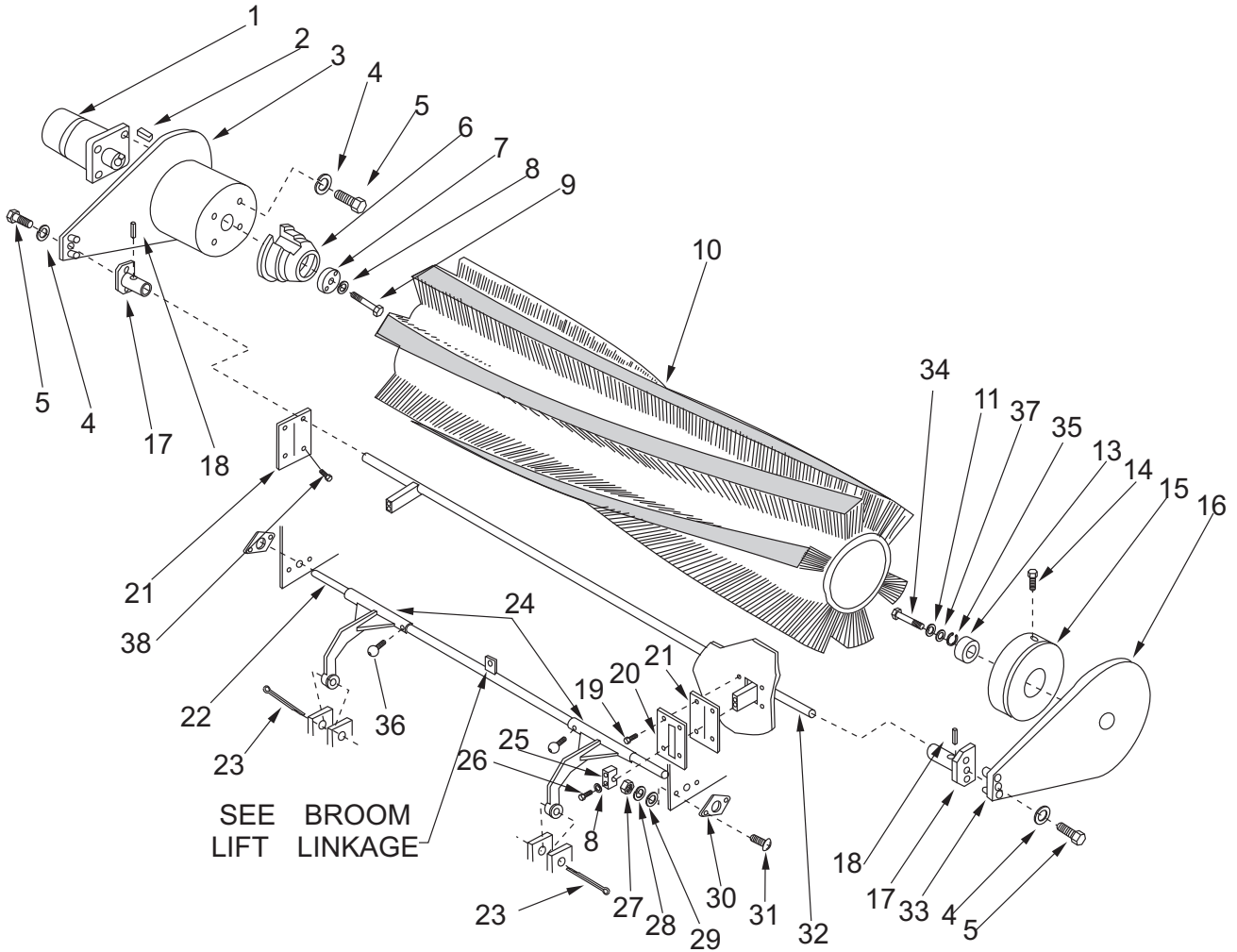
Item	Ref. No.	Qty	Description
1	7-27-07174	1	Main Frame
2	7-16-07386	1	Cover, Steering Gear Assy.
3	2-00-05261	4	Insert, 1/4-20 Threaded
4	2-00-03702	4	Flat Washer, .562 x .265 x .062
5	2-00-00518	4	Lock Washer, 1/4 Helical Spring
6	2-00-00221	4	Bolt, 1/4-20 x 3/4 Fin. Hex Head
7	7-21-04031	9	Edging, Brush Drive Support
8	2-00-04721	1	Rubber Grommet

71081

MAIN BROOM ASSEMBLY

8

7765, 7760



P4738/9606

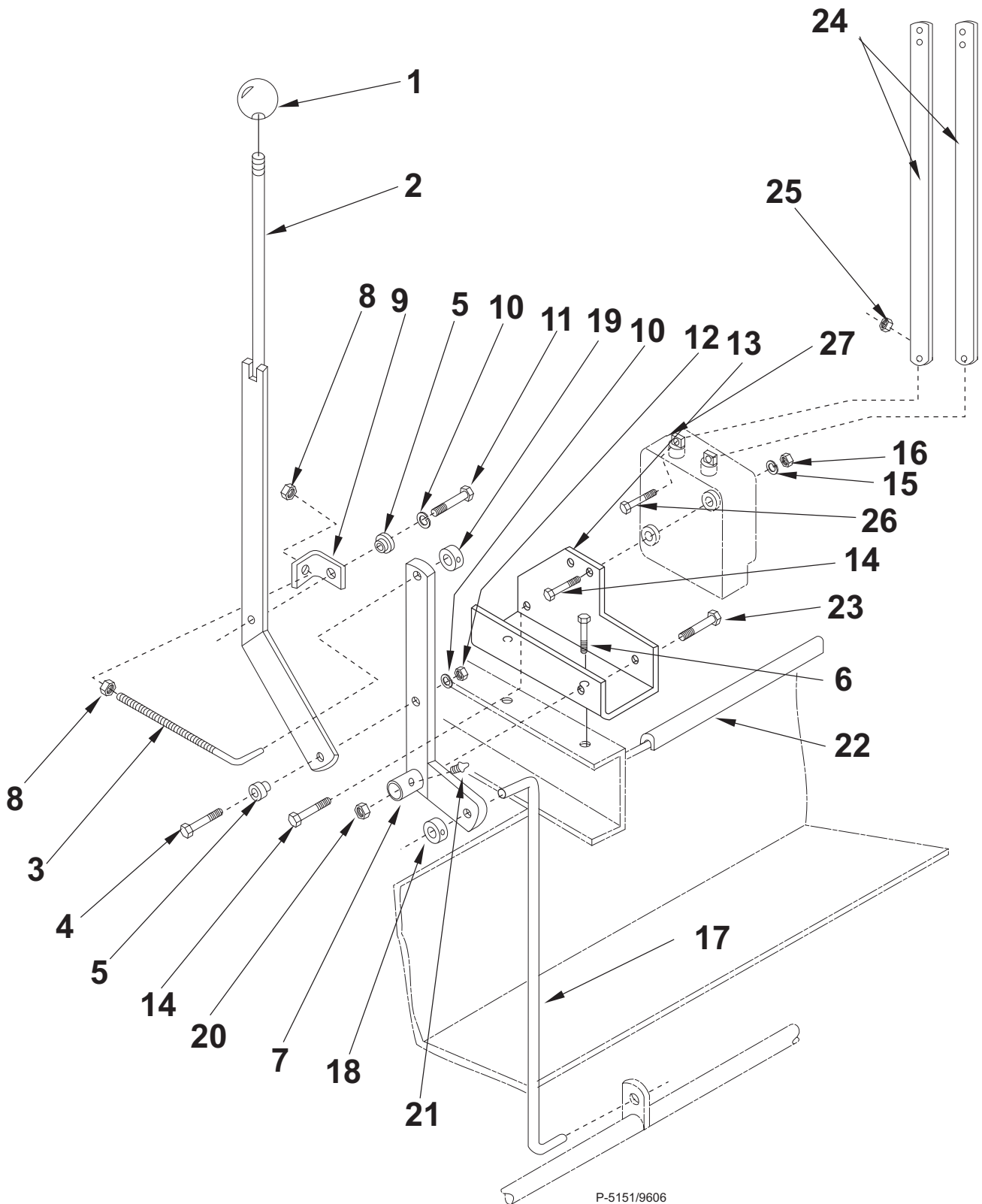
**MAIN BROOM ASSEMBLY****7765, 7760****9**

<b>Item</b>	<b>Ref. No.</b>	<b>Qty</b>	<b>Description</b>
1	0882-040	1	Hydraulic Motor, Broom Drive
2	2-00-03838	1	Key, 1/4 x 1.0 (#15) W
3	8-16-00041	1	Arm, Drive Broom
4	2-00-02310	6	Lock Washer, 3/8 Helical Spring
5	2-00-00232	6	Screw, 3/8-14 x 3/4 HHC
6	8-33-09046-1	1	Hub, Broom Driver
7	8-58-05160	1	Plate, Hub Locking
8	2-00-00518	7	Lock Washer, 1/4 Helical Spring
9	2-00-03039	3	Screw, 1/4-20 x .625 HSHC
10	See Broom Options		
11	2-00-00522	1	Lock Washer, 3/4 Helical Spring
12			Intentionally Omitted
13	2-00-04889	1	Bearing
14	2-00-04886	2	Screw, 3/8-16 x 1/2 HSHC
15	8-33-09090	1	Idler
16	8-16-00039	1	Arm, Idler
17	7-15-01035	2	Pivot Collar (Weldment)
18	2-00-04943	2	Spring Pin, 3/8 x 1.50
19	2-00-00221	8	Screw, 1/4-20 x 3/4 HHC
20	7-16-07274	2	Gasket, Cover Plate
21	7-29-00148	3	Gasket, Broom Arm
22	7-70-05137	1	Shaft
23	7-55-08119	2	Lift Pin (with Cotter Pin)
24	7-03-04151	1	RH Arm Assembly
	7-03-04152	1	LH Arm Assembly
25	7-13-07103	2	End Clamp
26	2-00-02587	4	Screw, 1/4-20 x 1.25 HHC
27	2-00-00586	4	Nut, 5/16-18 x .500 x .187 Hex Jam
28	2-00-00530	4	Lock Washer, 5/16 Helical Spring
29	2-00-05103	4	Flat Washer, SS, .750 x .343 x .050
30	2-00-03997	2	Flange Bearing, 3.75 x 1.00
31	2-00-00196	4	Carriage Bolt, 5/16-18 x 1.0
32	7-70-05138	1	Shaft, Broom Chamber (Weldment)
33	8-55-08098	4	Dowel Pin
34	2-00-04887	1	Screw, 3/4-10 x 1.25 HHC
35	2-00-04890	1	Retaining Ring, 3.341 Int.
36	2-00-02558	2	Lubrication Fitting, 45° 1/8 NPT
37	8-75-01157	1	Flat Washer, 3/4
38	2-00-00432	4	Screw, 1/4-20 x 1/2

MAIN BROOM LIFT LINKAGE

10

7765, 7760



P-5151/9606

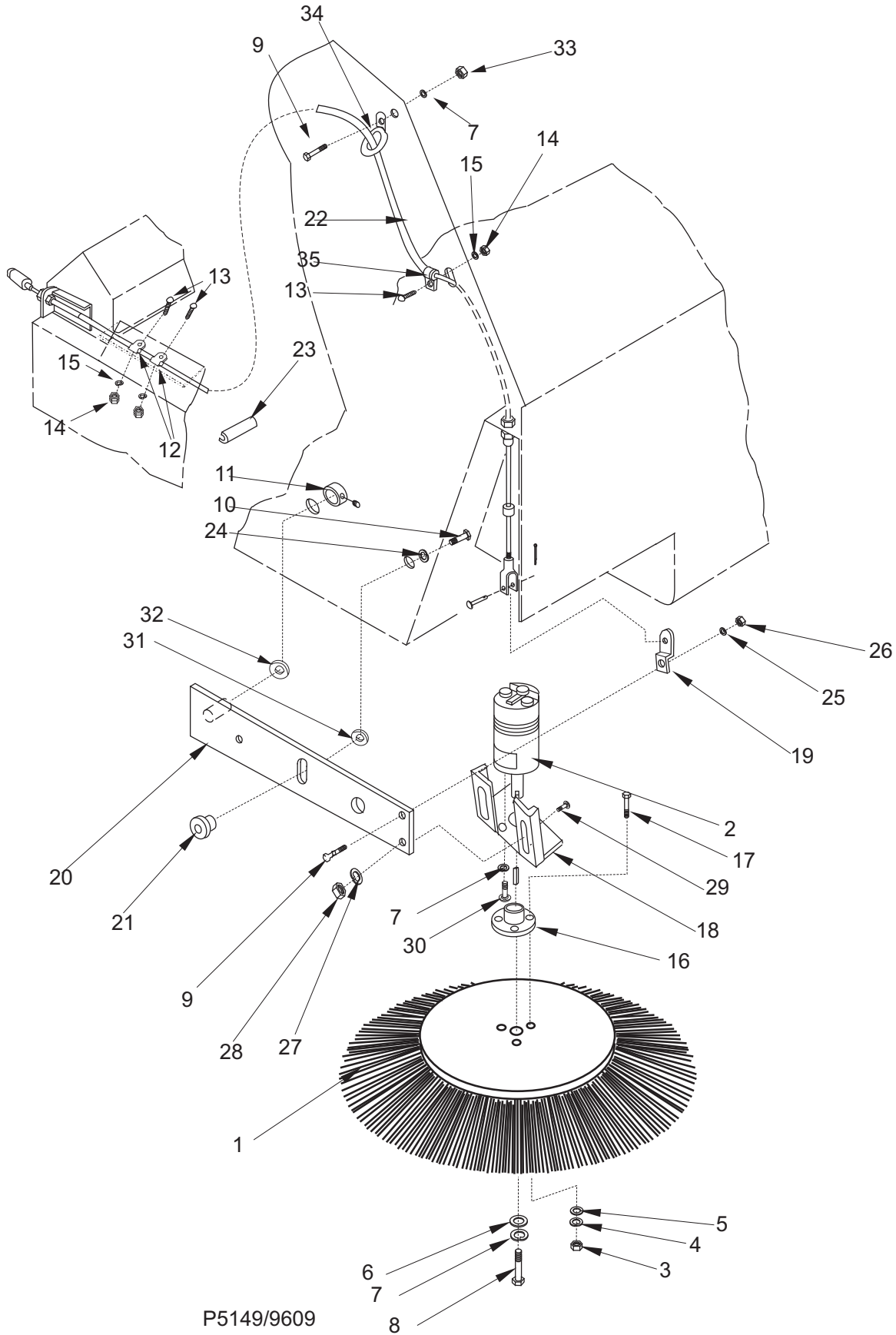
**MAIN BROOM LIFT LINKAGE****7765, 7760****11**

<b>Item</b>	<b>Ref. No.</b>	<b>Qty</b>	<b>Description</b>
1	8-39-00003	2	Knob
2	7-41-05082	1	Lever, Main Broom
3	7-66-00142	1	Adjusting Rod
4	2-00-00207	1	Screw, 5/16-18 x 1.25
5	7-09-01057	2	Spacer
6	2-00-01255	2	Screw, 5/16-18 x .875 HHC
7	7-17-00012	1	Crank
8	2-00-02369	2	Nut, 3/8-16 x .562 x .218 Hex Jam
9	7-08-00493	1	Bracket, Broom Lever
10	2-00-00530	2	Lock Washer, Helical Spring 5/16 Med
11	2-00-00208	1	Screw, 5/16-18 x 3/4 HHC
12	2-00-00585	1	Nut, 5/16-18 x .500 x .265 Hex
13	7-89-06700	1	Bracket, Hopper Valve
14	2-00-02589	2	Screw, 1/4-20 x 2.0 HHC
15	2-00-00518	2	Lock Washer, 1/4 Helical Spring
16	2-00-00594	2	Nut, 1/4-20 x .437 x .218 Hex
17	7-42-05086	1	Broom Lift Link
18	2-00-03589	1	Setscrew Collar, 1.00 x .500 x .437
19	7-15-01022	1	Setscrew Collar, .750 x .378 x .375
20	2-00-04936	1	Nut, 1/2-13 Fiber Insert Hex
21	2-00-00566	1	Lubrication Fitting, Straight 1/8 NPT
22	7-21-04030	1	Edging
23	2-00-05059	2	Screw, 1/2-13 x 3.75 HHC
24	7-42-05084	2	Link
25	2-00-00605	2	Nut, #10-24 Fiber Lock
26	2-00-00056	2	Screw, #10-24 x 3/4 RHM
27	8-88-00053	1	Control Valve

SIDE BROOM (VARIABLE DUMP)

12

7765, 7760



P5149/9609

## SIDE BROOM (VARIABLE DUMP)

7765, 7760

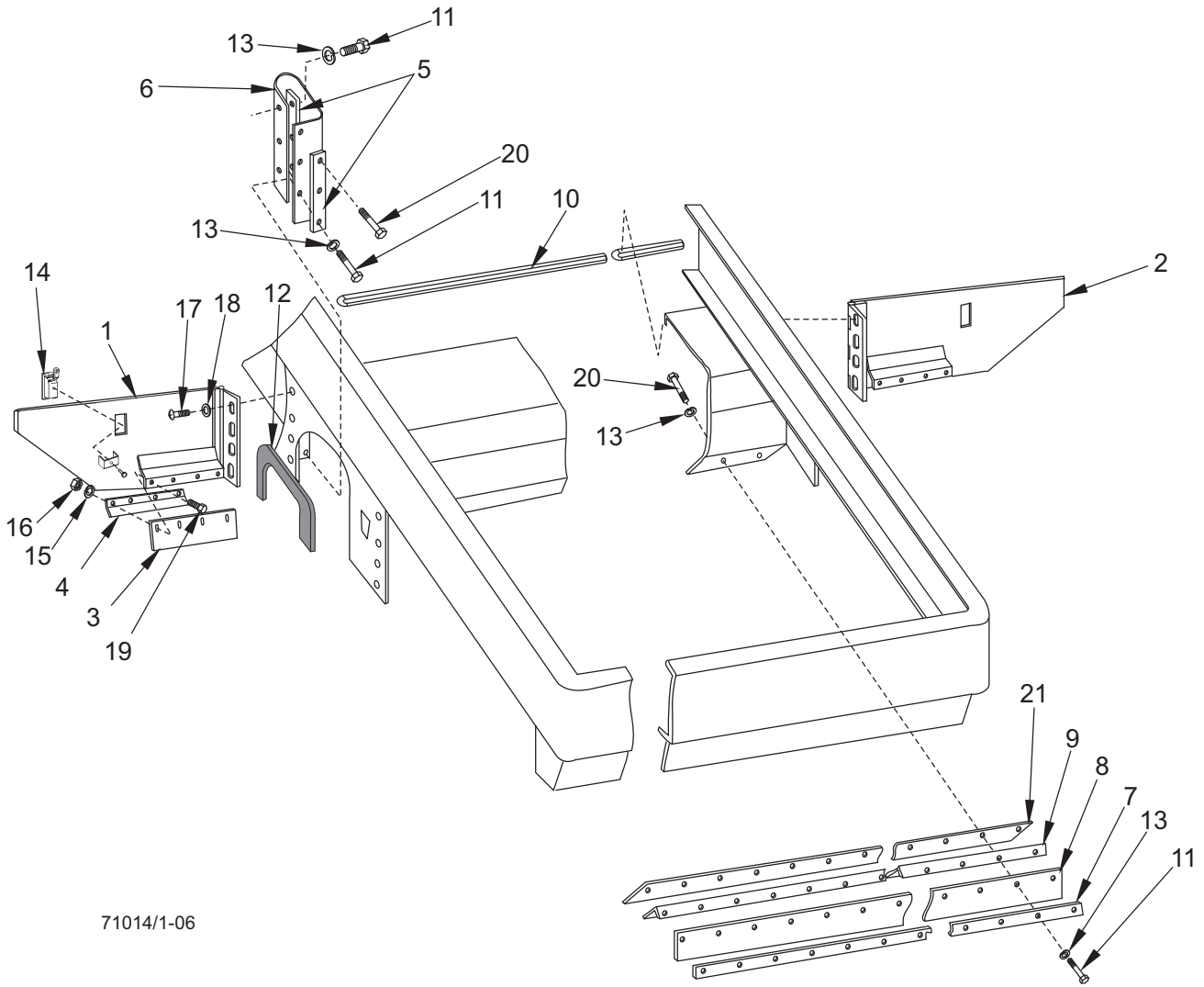
13

Item	Ref. No.	Qty	Description
1	8-08-03107	1	Side Broom
2	0885-061	1	Hydraulic Broom Drive Motor
3	2-00-00585	3	Nut, Hex 5/16 - 18 x .500 x .265
4	2-00-00530	3	Lock Washer, Helical Spring 5/16 Med
5	2-00-00409	2	Washer, Flat 5/16
6	2-00-01676	1	Flat Washer, 1.063 x .266 x .063
7	2-00-00518	5	Lock Washer, Helical Spring 1/4 Med
8	2-00-05976	1	Screw, 1/4 - 28 x 1.50 HHC
9	2-00-00221	2	Screw, 1/4-20 x .75
10	2-00-00232	1	Screw, 3/8 - 16 x .750 HHC
11	8-15-01003	1	Setscrew Collar, 1.250 x .750 x .562
12	2-00-04210	2	Clamp
13	2-00-00049	3	Screw, #10 - 24 x .500 RHM
14	2-00-00605	3	Nut, Hex MS #10-24 x .375 x .12
15	2-00-00512	3	Lock Washer, #10 Int. <b>(A-L only)</b>
16	7-25-06038	1	Flange
17	2-00-00218	3	Screw, 5/16 - 18 x 2.000 HHC
NS	0880-293	1	Seal Kit- 0885-061 (Up to Serial No. 750056)
NS	0780-144	1	Seal Kit- 0885-061 (Serial No. 750056 & Above)
18	7-08-00841	1	Bracket, Side Broom
19	7-79-00092	1	Strap
20	7-03-04153	1	Side Broom Arm Weldment
21	7-09-01134	1	Bushing
22	7-10-00029	1	Cable
23	8-21-04030	1	Edging
24	2-00-02310	1	Lock Washer, Helical Spring 3/8 Med
25	2-00-03702	1	Washer, Flat .625 x .281 x .063
26	2-00-00641	1	Nut, 1/4-20 Hex Fiber Lock
27	2-00-02303	2	Lock Washer, 5/16 Int. Tooth
28	2-00-00585	2	Nut, Hex 5/16-18
29	2-00-03569	2	Carriage Bolt, 5/16-18
30	2-00-05350	3	Screw, 1/4-28 x .63
31	2-00-03979	1	Washer, 1.00 x .391 x .06
32	2-00-03808	1	Washer, 1.50 x .750 x .06
33	2-00-00594	1	Nut, Hex MS 1/4-20 x .125
34	2-00-04603	1	Clamp
35	2-00-04378	1	Clamp

BROOM & BRUSH CHAMBER DOOR

14

7765, 7760



71014/1-06

**BROOM & BRUSH CHAMBER DOOR****7765, 7760****15**

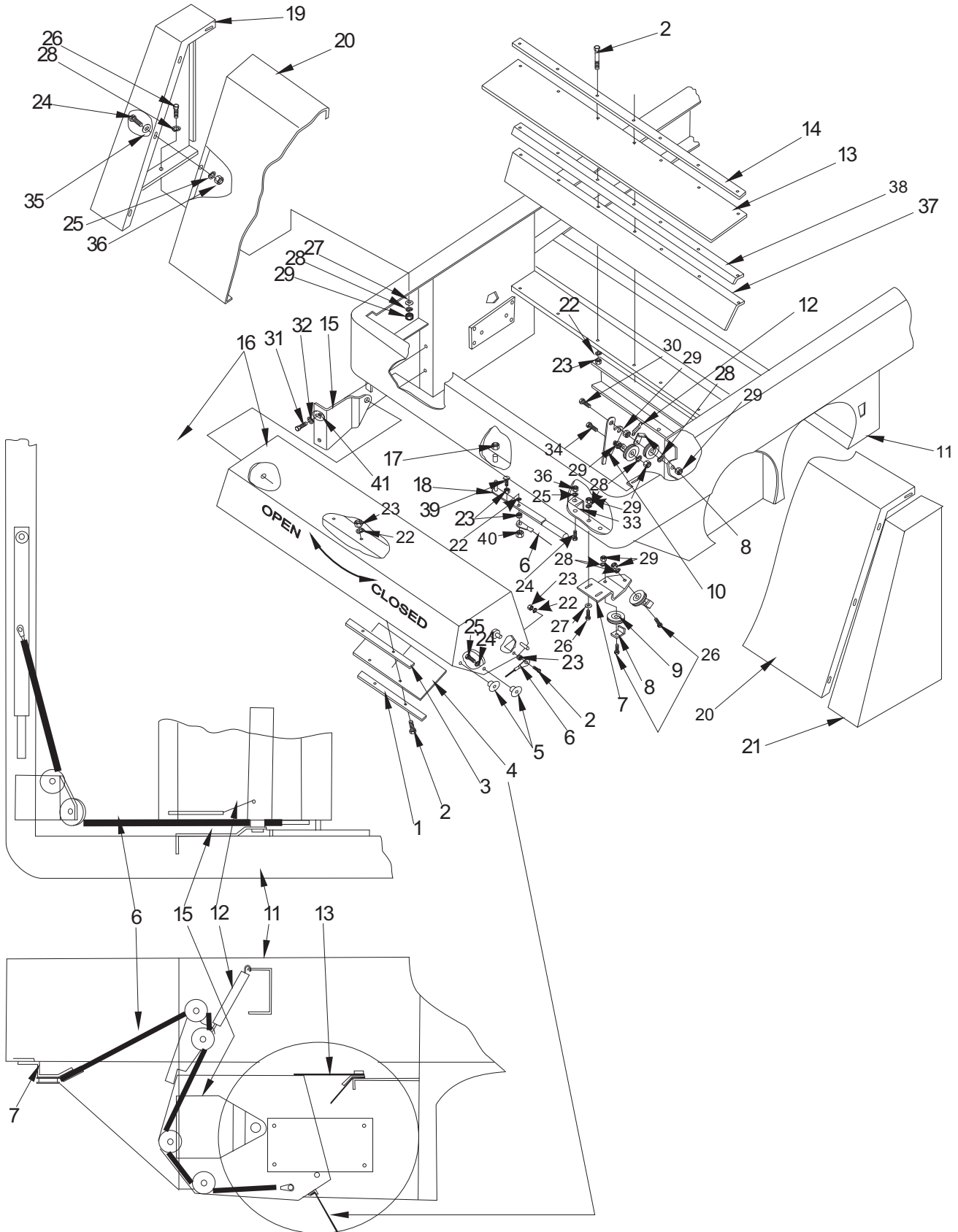
Item	Ref. No.	Qty	Description
1	7-19-08101	1	Door, Left Hand Broom Chamber
2	7-19-08102	1	Door, Right Hand Broom Chamber
3	7-25-08033	2	Flap, Broom Chamber Door
4	7-79-00056	2	Strap, Door Flap
5	7-79-00055	4	Strap, Broom Chamber
6	7-25-08034	2	Flap, Broom Chamber
7	7-79-00054	1	Strap, Broom Chamber Flap
8	7-25-08032	1	Flap, Broom Chamber
9	7-08-00487	1	Bracket, Flap (Weldment)
10	7-29-00147	1	Gasket
11	2-00-00221	25	Screw, 1/4-20 x 3/4 HHC
12	3-73-01020	2	Gasket (36")
13	2-00-00518	33	Lock Washer, 1/4 Helical Spring
14	7-41-00065	2	Latch, Flush Mount
15	2-00-00501	8	Lock Washer, 1/4
16	2-00-00589	8	Nut, 1/4-20 Hex
17	2-00-04880	8	Screw, 1/4-20 x 3/4 BHS
18	2-00-00407	8	Flat Washer, .687 x .343 x .062
19	2-00-04190	8	Carriage Bolt, 1/4-20 x .63
20	2-00-01490	13	Screw, 1/4-20 x .875 HHC
21	7-25-08036	1	Flap, Front Broom Chamber

71014

HOPPER SYSTEM (MANUAL DUMP)

16

7765, 7760



C-0355/9606

**HOPPER SYSTEM (MANUAL DUMP)****7765, 7760****17**

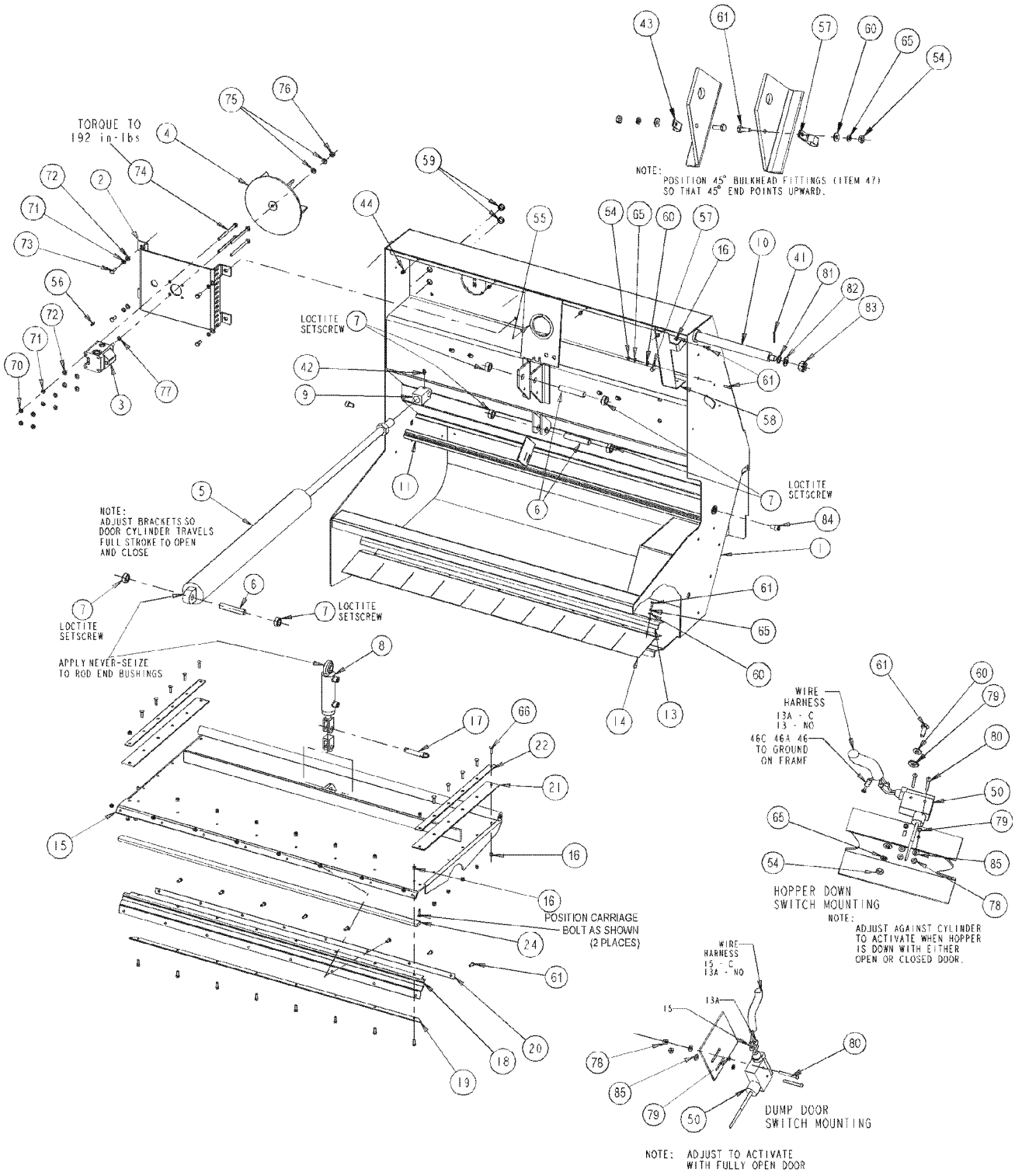
<b>Item</b>	<b>Ref. No.</b>	<b>Qty</b>	<b>Description</b>
1	7-79-00091	4	Hopper Flap Strap
2	2-00-00205	15	Screw, 1/4-20 x 1.000 HHC
3	7-13-07169	4	Hopper Flap Clamp
4	7-25-08050	4	Hopper Flap
5	7-30-08013	2	Cable Guide
6	7-10-00027	1	Hopper Lift Cable
7	7-08-00860	1	Pulley Mounting Bracket
8	7-13-07170	4	Cable Retainer Clip
9	7-60-00160	4	Cable Pulley
10	7-41-00029	1	Hopper Latch
11	7-27-07174	1	Main Frame
12	8-76-00045	1	Spring
13	7-25-08051	1	Baffle Flap
14	7-13-07131	1	Baffle Clamp
15	7-08-00861	2	Hopper Pivot Plate
16	7-32-06019	1	Hopper
17	2-00-03589	1	Collar
18	7-31-06073	1	Hopper Dump Handle
19	7-16-07340	1	Right Hand Cover
20	7-16-07341	1	Center Cover
21	7-16-07339	1	Left Hand Cover
22	2-00-00518	17	Lock Washer, 1/4 Helical Spring
23	2-00-00594	19	Nut, Hex 1/4-20
24	2-00-01255	11	Screw, 5/16-18 x .875 HHC
25	2-00-00530	11	Lock Washer, 5/16 Helical Spring
26	2-00-00209	8	Screw, 3/8-16 x 1.250 HHC
27	2-00-00402	10	Flat Washer, 3/8 Bs
28	2-00-02310	8	Lock Washer, 3/8 Helical Spring
29	2-00-02360	14	Nut, Hex 3/8-16
30	2-00-02711	1	Screw, 3/8-16 x2.750 HHM
31	2-00-00240	4	Screw, 1/2-13 x 1.250 HHC
32	2-00-02312	4	Lock Washer, 1/2 Helical Spring
33	7-41-00031	1	Handle Latch
34	2-00-00235	1	Screw, 3/8-16 x 1.750 HHC
35	2-00-00409	8	Flat Washer, 5/16 BS
36	2-00-00585	9	Nut, Hex 5/16-18
37	7-25-08052	1	Lower Baffle Flap
38	7-13-07136	1	Lower Baffle Clamp
39	2-00-00198	1	Carriage Bolt, 1/4-20 x 2.000
40	2-00-00641	1	Nut, Fiber Lock 1/4-20
41	2-00-00405	4	Flat Washer 1/2 B.S

# HOPPER SYSTEM (VARIABLE DUMP)

18

7765, 7760

08-3



**HOPPER SYSTEM (VARIABLE DUMP)**

08-3

**7765, 7760**

**19**

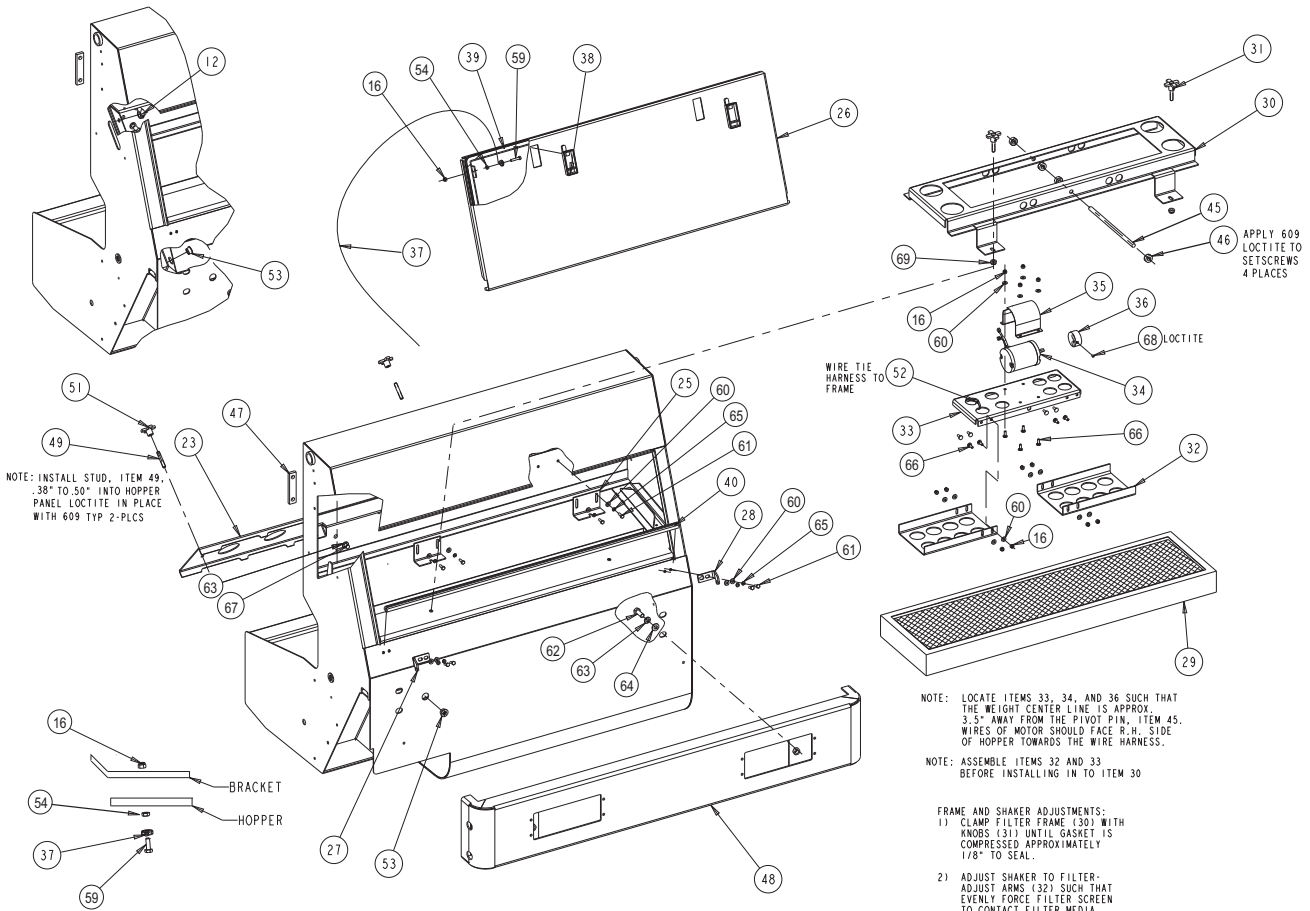
Item	Ref. No.	Qty	Description
1	7-32-06017	1	Hopper
2	7-08-00840	1	Bracket, Impellor Mounting and Guard
3	0882-041	1	Vac Fan Motor
4	8-23-00012	1	Impellor
5	7-17-05013	Ref.	Cylinder
6	7-55-08117	3	Pin
7	8-15-01003	6	Collar
8	7-17-05020	Ref.	Cylinder
9	8-14-01010	1	Rod End
10	7-55-08127	1	Rod
11	7-29-00233	2	Gasket, Dump Door
13	7-13-07162	1	Clamp, Hopper
14	7-25-08068	1	Flap, Hopper
15	7-19-08054	1	Dump Door, Hopper
16	2-00-00641	31	Nut, 1/4-20 Insert Fiber
17	7-55-08121	1	Pin
18	7-68-05019	1	Seal, Outer Door
19	7-79-00090	1	Strap, Inner Seal
20	7-79-00089	1	Strap, Outer Seal
21	7-68-05014	2	Seal, Door Side
22	7-13-07160	2	Clamp, Door Side Seal
24	7-68-05018	1	Seal, Dump Door
41	2-00-00776	2	Cotter Pin
42	2-00-02558	1	Lube Fitting
43	2-00-04378	1	Clamp
44	2-00-00566	4	Lube Fitting
50	8-82-00058	2	Switch
54	2-00-00594	6	Nut, Hex 1/4-20 x .437 x .218
55	7-21-04041	1	Edging, Hopper
56	2-00-02227	1	Key
57	2-00-04603	2	Clamp
58	7-08-00869	1	Bracket, Safety Arm Stop
#59	2-00-05382	2	Hole Plug
60	2-00-03702	17	Washer, .625 x .281 x .063
61	2-00-00221	33	Screw, 1/4-20 x .750 HHC
65	2-00-00518	16	Lock Washer, Helical Spring
66	2-00-03575	12	Carriage Bolt, 1/4-20 x .750
70	2-00-00585	4	Hex Nut, .13-18 Finished
71	2-00-00530	8	Lock Washer, 5/16 Med.
72	2-00-00409	8	Flat Washer, .688 x .344 x .063
73	2-00-00208	4	Screw, .313-18 x .75 HHC
74	2-00-02655	4	Screw, .313-18 x 4.50 HHC
75	2-00-00402	2	Flat Washer, .750 x .391 x .093
76	2-00-03412	1	Lock Nut, .38-24 (1-piece)
77	2-00-00484	1	Spacer, .625 x .375 x .047
78	2-00-01372	4	Nut, 8-32 Fiber Insert
79	2-00-00498	5	Lock Washer
80	2-00-00090	4	Screw, 8-32 x 1.50 PH RHM
81	2-00-00432	2	Flat Washer, 1.125 x .766 x .063
82	2-00-03170	2	Spacer, .75-1.50 x .125
83	2-00-04841	2	Nut, .75-16 Slotted Hex
84	2-00-05277	2	Screw, .50-13 x .75 HSHC
85	2-00-00460	4	Flat Washer, .438 x .192 x .031

# = Revised or new since last update

# HOPPER SYSTEM (FILTER & IMPELLER)

20

7765, 7760



P5148a-ecp/1-04

NOTE: LOCATE ITEMS 33, 34, AND 36 SUCH THAT THE WEIGHT CENTER LINE IS APPROX. 3.5" AWAY FROM THE PIVOT PIN, ITEM 45. WIRES OF MOTOR SHOULD FACE R.H. SIDE OF HOPPER TOWARDS THE WIRE HARNESS.

NOTE: ASSEMBLE ITEMS 32 AND 33 BEFORE INSTALLING IN TO ITEM 30

FRAME AND SHAKER ADJUSTMENTS:  
1) CLAMP FILTER FRAME (30) WITH KNOBS (31) UNTIL GASKET IS COMPRESSED APPROXIMATELY 1/8" TO SEAL.

2) ADJUST SHAKER TO FILTER-ADJUST ARMS (32) SUCH THAT EVENLY FORCE FILTER SCREEN TO CONTACT FILTER MEDIA.

NOTE: DO NOT COMPRESS FILTER MEDIA WITH SHAKER FRAME ASSEMBLY.

**HOPPER SYSTEM (FILTER & IMPELLER)**

**7765, 7760**

**21**

Item	Ref. No.	Qty	Description
12	2-00-00491	1	Grommet
16	2-00-00641	6	Nut, 1/4-20 Insert Fiber
23	7-18-03031	1	Air Deflector, Top
25	7-13-07159	2	Rear Clamp
26	7-19-08055	1	Filter Access Door
27	7-08-00843	1	Bracket, Door Filter Access (RH)
28	7-08-00844	1	Bracket, Door Filter Access (LH)
29	7-24-04046	1	Filter Panel
	7-24-04046-2		POLY Filter Panel Option
30	7-13-07158	1	Filter Clamp, Weldment
31	7-39-00027	2	Knob Assembly
32	7-03-04150	1	Shaker Arm
33	7-58-05279	1	Plate, Shaker Motor
*34	0860-623	1	Motor, Shaker
*35	8-16-07406	1	Cover, Filter Shaker Motor
*36	8-89-04019	1	Weight, Filter Shaker
37	8-10-00036	1	Cable
38	8-41-00040	2	Latch
39	7-29-00234	1	Gasket, Hopper Access Door
40	7-29-00235	1	Gasket, Hopper Access Door
45	7-55-08146	1	Pin, Shaker Pivot
46	2-00-03589	4	Collar
47	7-08-00643	1	Bracket
48	7-08-07053	1	Bumper
49	7-89-07423	2	Stud
51	25201A	2	Knob
52	2-00-04345	1	Tye-Rap
53	8-09-01082	2	Bushing
54	2-00-00594	2	Nut, Hex 1/4-20 x .437 x .218
59	2-00-02587	2	Screw, 1/4-20 x 1.250 HHC
60	2-00-03702	12	Washer, .625 x .281 x .063
61	2-00-00221	8	Screw, 1/4-20 x .750 HHC
62	2-00-00240	4	Screw, 1/2-13 x 1.250 HHC
63	2-00-02312	6	Lock Washer, 1/2 HS Med.
64	2-00-04159	4	Washer, 9/16 x 1 3/8 x .109
65	2-00-00518	8	Lock Washer, Helical Spring
66	2-00-03575	12	Carriage Bolt, 1/4-20 x .750
67	2-00-02676	2	Screw, 1/2-13 x .75
68	2-00-00263	1	Setscrew, 1/4-20 x .250 HSKCP
69	2-00-00643	2	Nut, 3/8-16 Stop

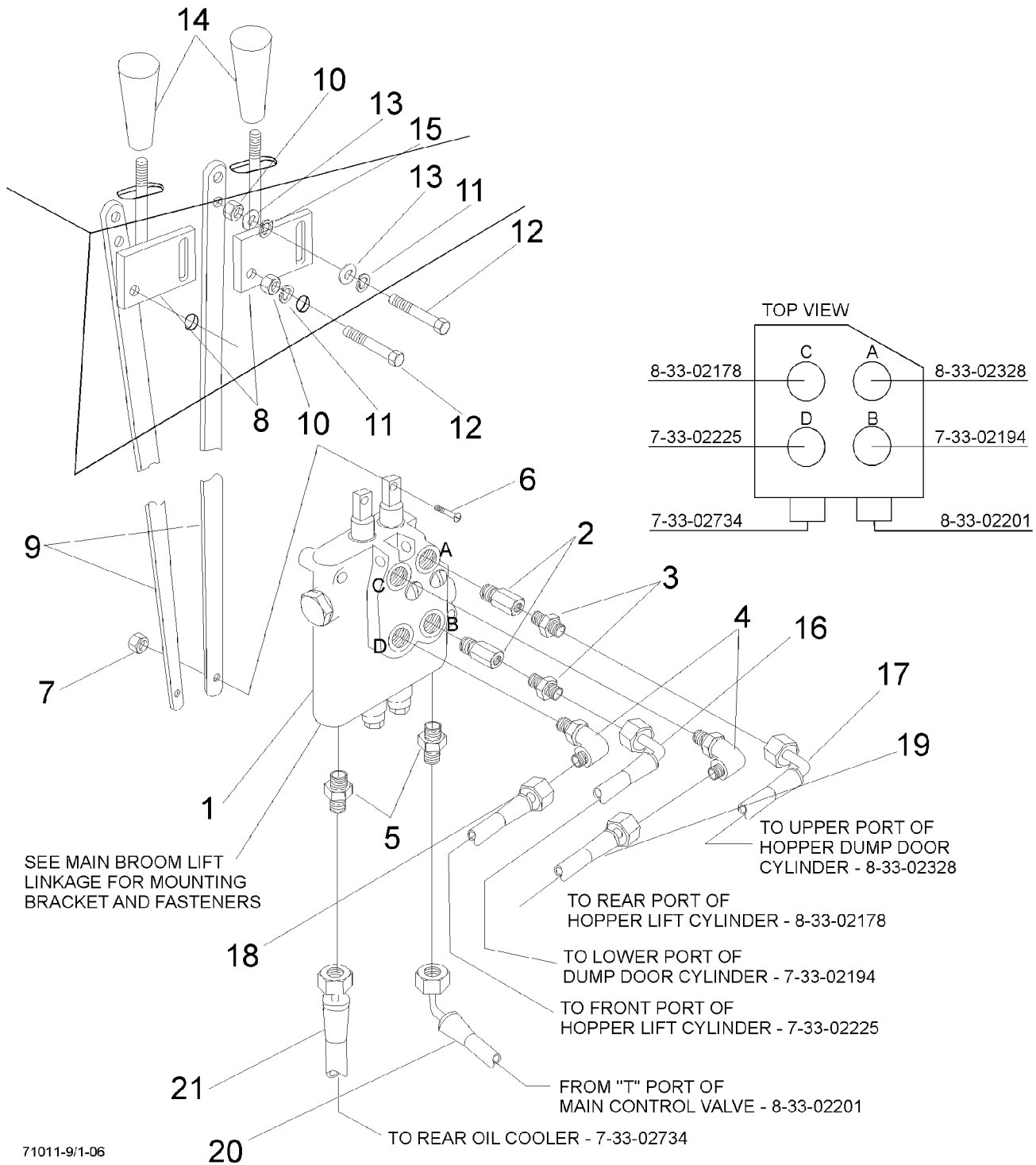
\*Contained in Kit 0880-705

HOPPER SYSTEM (VALVE, DUMP LINKAGE)

22

7765, 7760

06-9



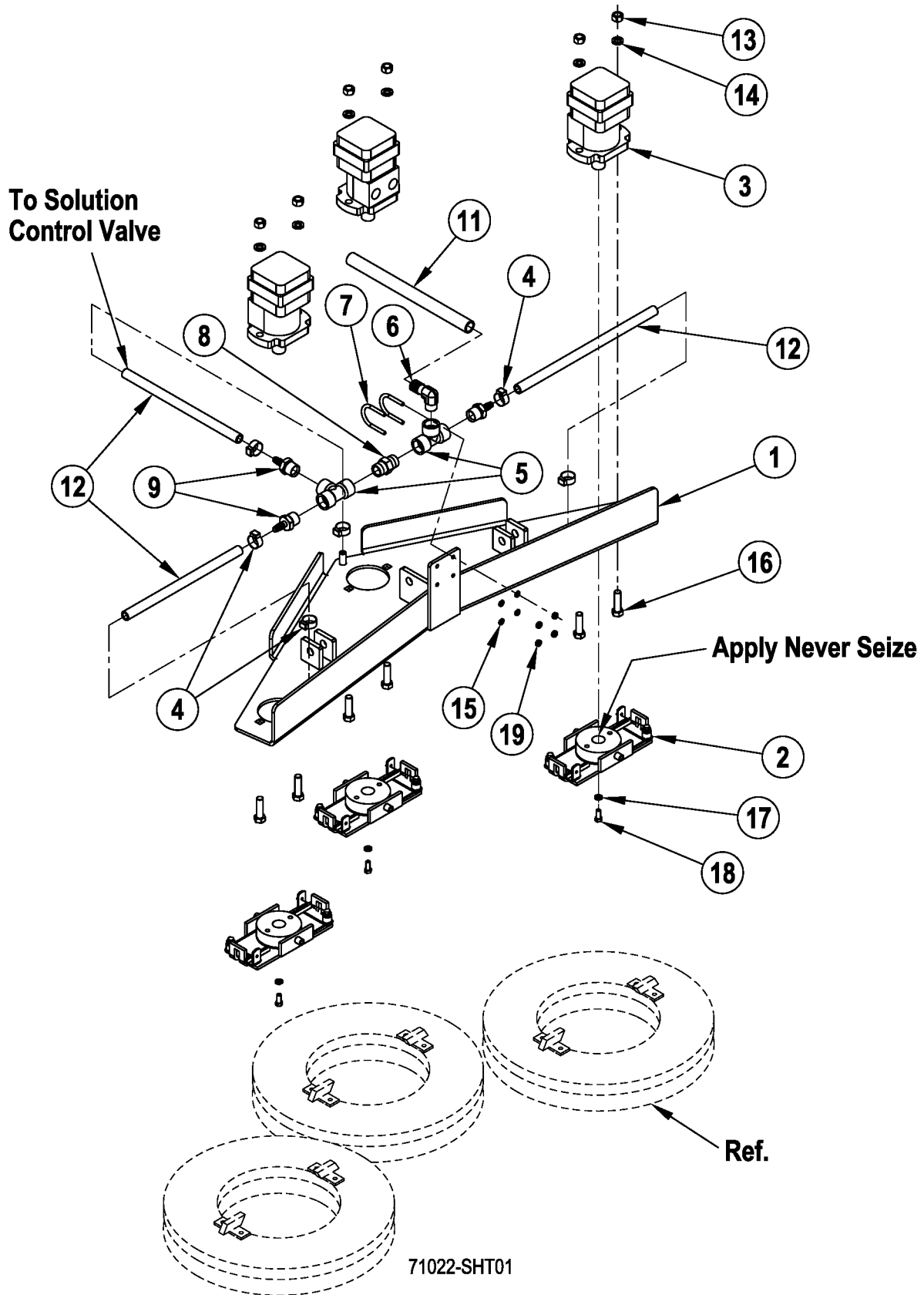
**HOPPER SYSTEM (VALVE, DUMP LINKAGE)**

06-9

**7765, 7760****23**

Item	Ref. No.	Qty	Description
1	8-88-00053	1	Hopper Control Valve
2	2-00-04917	2	ORFS Boss Reducer, 9/16-18 to 7/16-20
3	2-00-04895	2	ORFS Connector, 7/16-20 to 9/16-18
4	2-00-04926	2	ORFS 90° Elbow, 9/16-18
5	2-00-04970	2	Fitting - Straight
6	2-00-00056	2	Screw, #10-24 x .750 RHM
7	2-00-00605	2	Nut, Hex MS #10-24 x .375 x .125
8	7-41-05084	2	Lever
9	7-42-05089	2	Link
10	2-00-00594	4	Nut, Hex 1/4-20 x .437 x .218
11	2-00-00518	4	Lock Washer, Helical Spring 1/4 Med
12	2-00-00205	4	Screw, 1/4-20 x 1.0 HHM
13	2-00-03702	4	Flat Washer, .625 x .281 x .062
14	7-31-06059	2	Handle
15	2-00-00498	2	Lock Washer, 1/4 Ext
16	7-33-02195	Ref.	Hose
17	8-33-02328	Ref.	Hose
18	7-33-02225	Ref.	Hose
19	8-33-02178	Ref.	Hose
20	8-33-02201	Ref.	Hose
21	7-33-02734	Ref.	Hose

71011



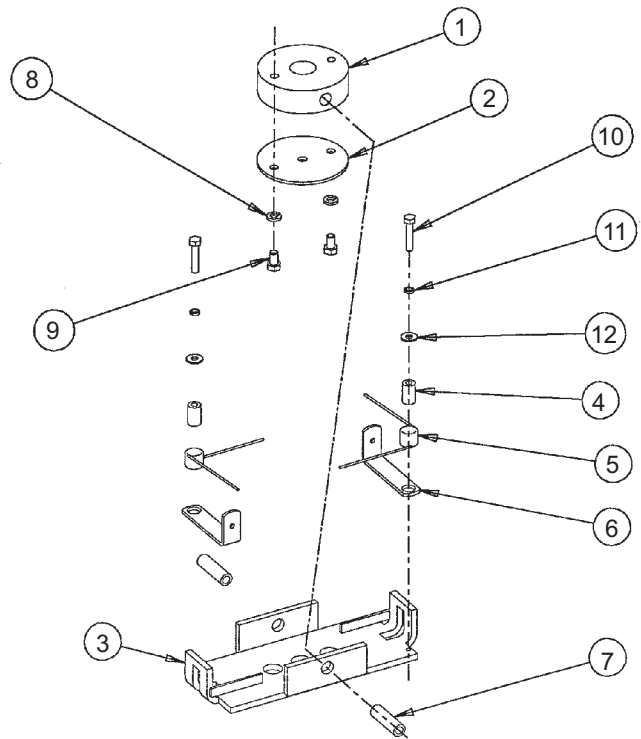
Item	Ref. No.	Qty	Description
1	7-27-07172	1	53" Scrub Deck
*2	0702-069	3	Drive Brush Assembly
3	0782-111	3	Hyd. Scrub Motor
4	2-00-03407	6	Clamp-Hose
5	2-00-05662	2	Fitting, Tee
6	7-25-02053	1	90° Nipple
7	8-13-07003	2	"U" Bolt - 1/4-20
8	2-00-05686	1	Nipple
9	2-00-05681	3	Nipple
#10			
11	7-33-02322	1	Hose-Water Feed - 12"
#12	7-33-02324	3	Hose-Water Feed - 12.5"
13	2-00-00596	6	Nut, 1/2 - 13
14	2-00-02312	6	Washer, .50 Split
15	2-00-00518	4	Washer, Helical Spring
16	2-00-00241	6	Bolt, 1/2-13 x 1.75 LG
17	2-00-00530	3	Lockwasher, 5/16
18	2-00-05087	3	Screw, 5/16 with Nylok
19	2-00-00594	4	Nut, Finish Hex, .25-20

71022-SHT01

# = Revised or new since last update

**\*0702-069 SERVICE PARTS**

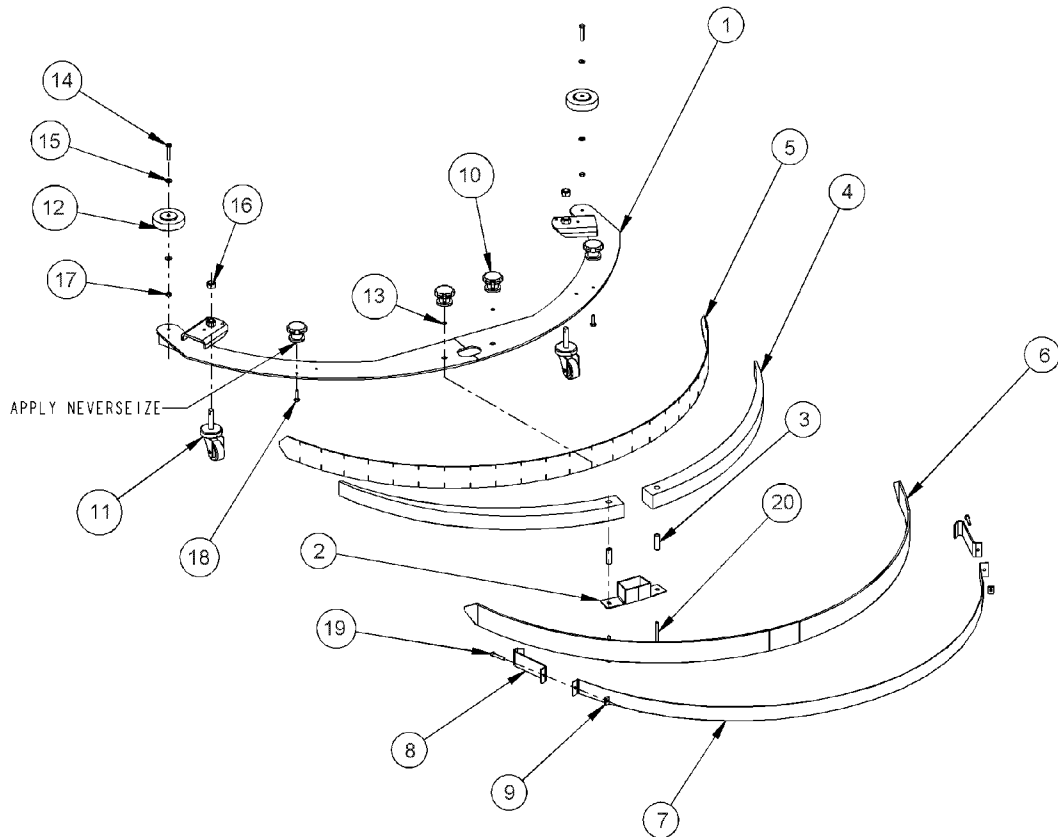
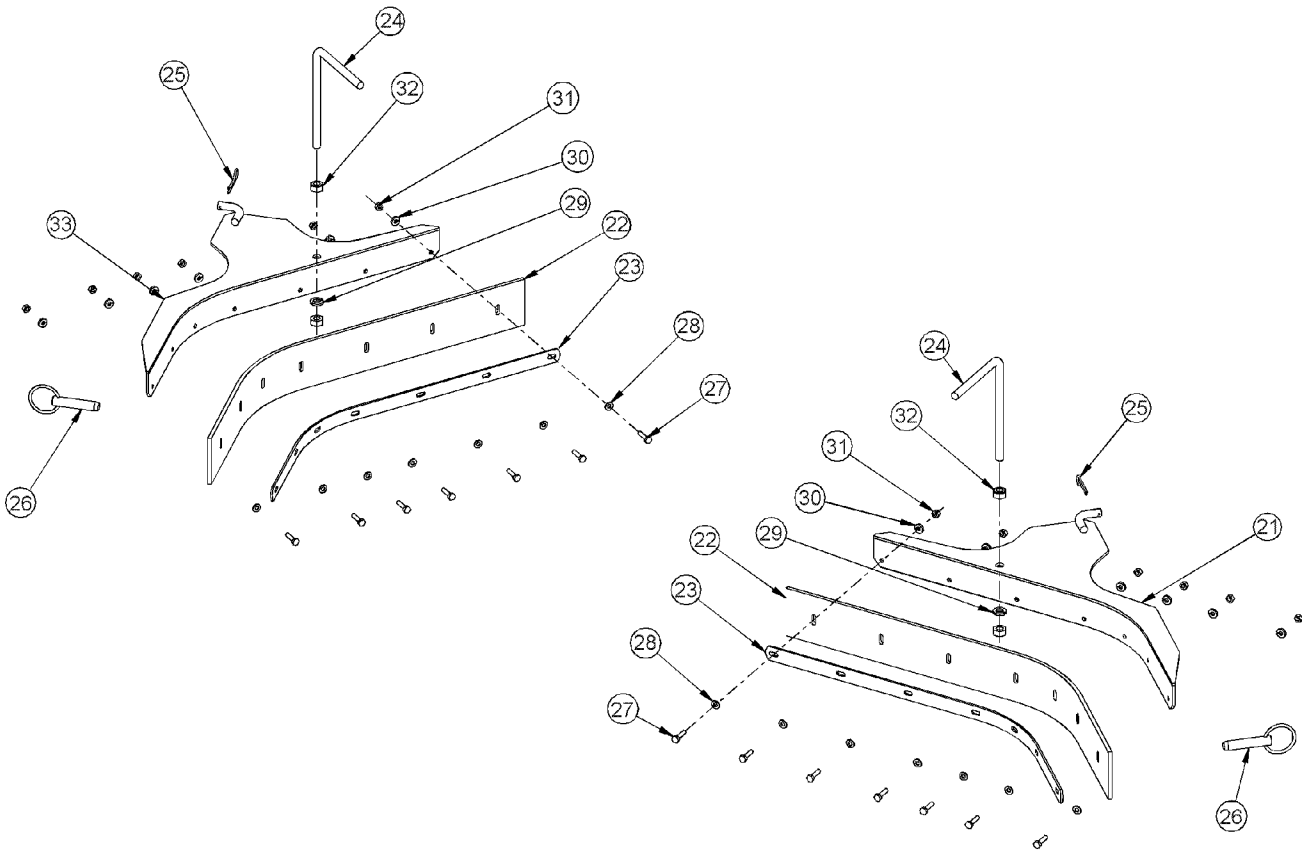
Item	Ref. No.	Qty	Description
1	7-33-09013	1	Drive Hub
2	7-58-05181	1	Hub Plate
3	7-03-04070	1	Brush Drive Arm
4	7-09-01062	2	Spacer
5	7-76-00089	2	Latch Spring
6	7-41-00007	2	Brush Latch
7	2-00-04663	2	Roll Pin
8	2-00-00530	2	5/16 Lock Washer
9	2-00-00224	2	Screw
10	2-00-02587	2	Screw
11	2-00-00518	2	1/4 Lock Washer
12	2-00-04045	2	Washer



REAR & SIDE SQUEEGEES

26

7765, 7760



**REAR & SIDE SQUEEGEES**

08-3

**7765, 7760**

**27**

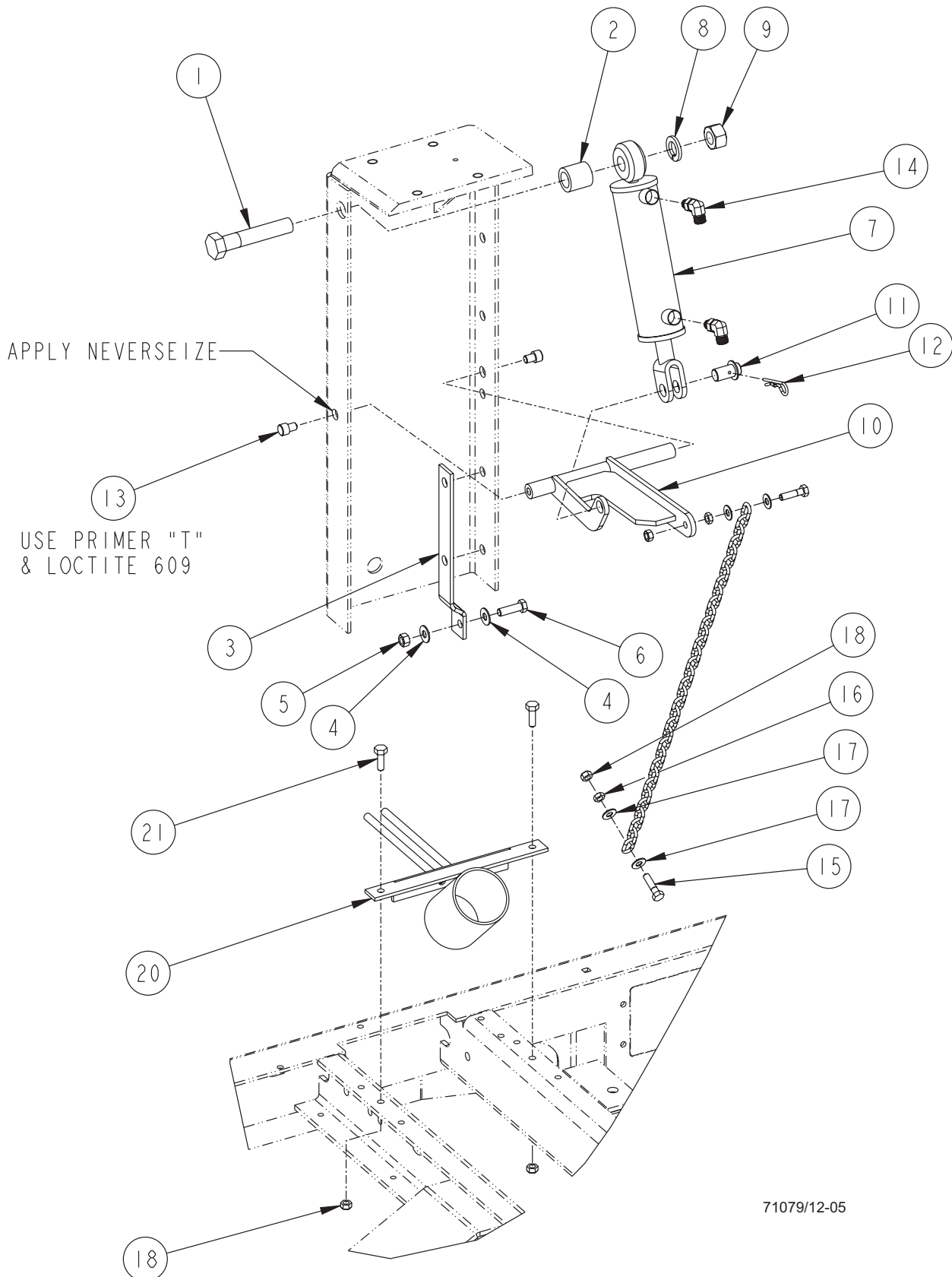
Item	Ref. No.	Qty	Description
1	7-86-08032	1	Squeegee - Weldment
2	7-20-06009	1	Duct - Squeegee Inlet
3	7-75-01164	2	Spacer - Bushing
4	7-75-01191	2	Spacer - Squeegee
5	7-77-00107	1	Squeegee - Rubber, Inlet
6	7-77-00105	1	Squeegee - Rubber, Outlet
7	7-79-00085	1	Strap - Squeegee Clamp
8	7-13-07157	2	Clamp - End Squeegee
9	7-13-07156	2	Clamp - Nut
10	7-39-00026	4	Knob - Squeegee
#11	56304266	2	Caster Assembly
12	2-14-00184	2	Wheel
13	2-00-04962	2	O-Ring
14	2-00-00216	2	Screw, 3/8-16 x 2.000 HHC
15	2-00-00402	4	Flat Washer, .750 x .390 x .094
16	2-00-00615	2	Nut, Finish Hex
17	2-00-02360	2	Nut, 3/8 -16 Hex
18	2-00-05302	2	Screw, 3/8-16 x 1.25 HHC SS
19	2-00-05344	2	Bolt, Hex Tap 5/16-18 x 1.75 SS
20	2-00-05343	2	Bolt, Carriage, .38-16 x 3.50
21	7-86-08034	1	Weldment - RH Bracket
22	7-77-00108	2	Squeegee - Rubber, Side
23	7-79-00086	2	Strap
24	7-55-08145	2	Pin - Lift
25	2-00-05320	2	Hair Pin
26	7-55-08121	2	Pin - Lock Up
28	2-00-05361	14	Washer, .563 x .281 x .063 SS
27	2-00-04690	14	Screw, 1/4-20 x 1.00 HHC SS #304
29	2-00-02312	2	Lock Washer, 1/2 HS Med.
30	2-00-04687	14	Lock Washer, Helical Spring 1/4 Med.
31	2-00-04688	14	Nut, 1/4-20 Hex
32	2-00-00598	4	Nut, .50-13 Hex
33	7-86-08033	1	Weldment - LH Bracket

# = Revised or new since last update

SQUEEGEE LIFT

28

7765, 7760



71079/12-05

**SQUEEGEE LIFT****7765, 7760****29**

<b>Item</b>	<b>Ref. No.</b>	<b>Qty</b>	<b>Description</b>
1	2-00-05345	1	Screw, 3/4-10 X 4.0 HHC
2	7-75-01166	1	Spacer
3	7-08-00845	1	Bracket
4	2-00-00410	2	Flat Washer, .875 x .375 x .060
5	2-95-04182	1	Nut, 3/8-18 Hex Stop
6	2-00-00209	1	Bolt, 3/8-16 x 1.25 HHC
7	7-17-05019	1	Lift Cylinder
8	2-00-00522	1	Lock Washer, 3/4 Helical Spring
9	2-00-03293	1	Nut, 3/4-10 Fin. Hex Head
10	7-17-00013	1	Arm, Squeegee Lift
11	7-55-08147	1	Pin Assembly
12	2-00-05320	1	Cotter Pin
13	2-00-04886	2	Set Screw, 3/8-16 x 1/2 (Allen Set)
14	2-00-04892	2	Fitting, 90° Elbow (O-Ring)
15	2-00-05356	2	Screw, 3/8-18 x 1.25 Hex Head
16	2-00-00586	2	Nut, 5/16-18 Jam
17	2-00-05103	4	Flat Washer .750 x .343 x .50
18	2-00-00644	4	Nut, 5/16-18 Fiber Insert Hex
19	7-13-05074	1	Chain, Squeegee Lift
20	7-08-00916	1	Bracket, Squeegee Lift
21	2-00-02708	2	Screw, 5/16-18 x 1.0 HHM

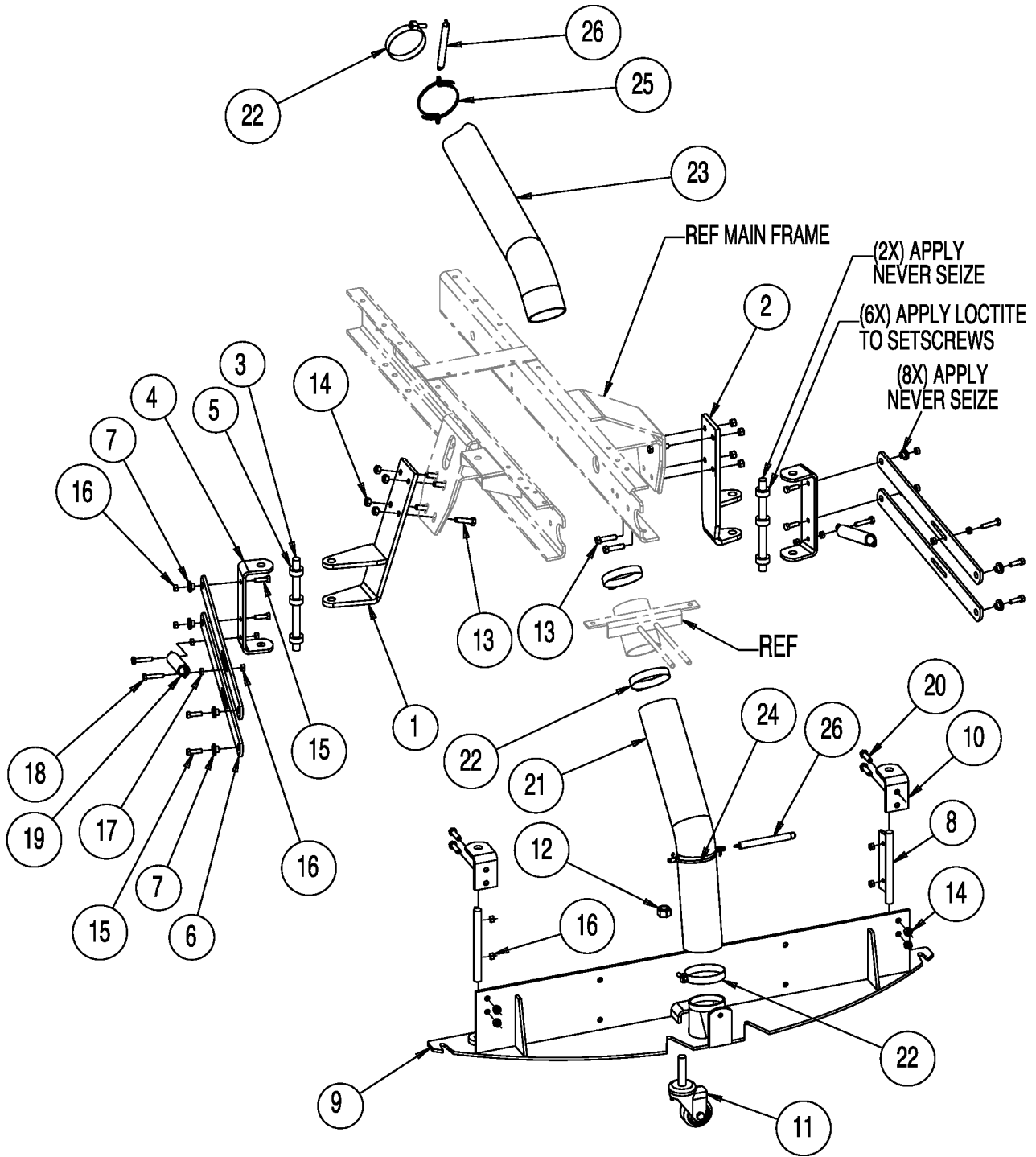
71079

SWING SQUEEGEE SUPPORT

30

7765, 7760

08-3



**SWING SQUEEGEE SUPPORT**

08-3

**7765, 7760**

**31**

Item	Ref. No.	Qty	Description
1#	7-08-00837	1	Pivot Bracket, Left
2#	7-08-00838	1	Pivot Bracket, Right
3#	7-70-05174	2	Shaft
4#	7-81-00185	2	Support-Squeegee
5#	8-15-01002	6	Collar, W/Setscrew
6#	7-03-04149	4	Arm-Squeegee
7#	7-09-01057	8	Bushing, Brush Lift
8#	7-55-08144	2	Pin, Rear, Weldment
9#	7-86-08039	1	Weldment - Squeegee Support
10#	7-08-00839	2	Bracket, Angle
11#	56304266	1	Wheel, Caster
12#	2-00-00615	1	Nut, Hex, 5/8-11
13#	2-00-00234	8	Screw, 3/8-16 X 1-1/2 HHC
14#	2-95-04182	12	Nut, Hex, Stop, 3/8-16
15#	2-00-05356	8	5/16-18 X 1.25", Hex Head Screw
16#	2-00-00644	12	Nut, Hex, Insert Fiber, 5/16-18
17#	2-00-00585	4	5/16-18, Hex Nut
18#	2-00-00225	4	SCREW, 5/16 - 18 X 1.5 HHC
19#	7-76-00114	2	Spring
20#	2-00-00209	4	Bolt, Hex Head, 3/8-16 X 1 1/4 SS
21#	7-33-02381*	1	Hose-Vacuum - 26" <b>TSBUS2007-954</b>
22#	7-13-07104*	4	Hose Clamp
23#	7-33-02380*	1	Hose-Vacuum - 78.50"
24#	56109196	2	Tie, Cable Nylon 6/6
25#	2-00-04937	2	Hose Tie W/ Eyelet
26#	7-76-00050-1	2	Spring - Extension <b>TSBUS2007-954</b>

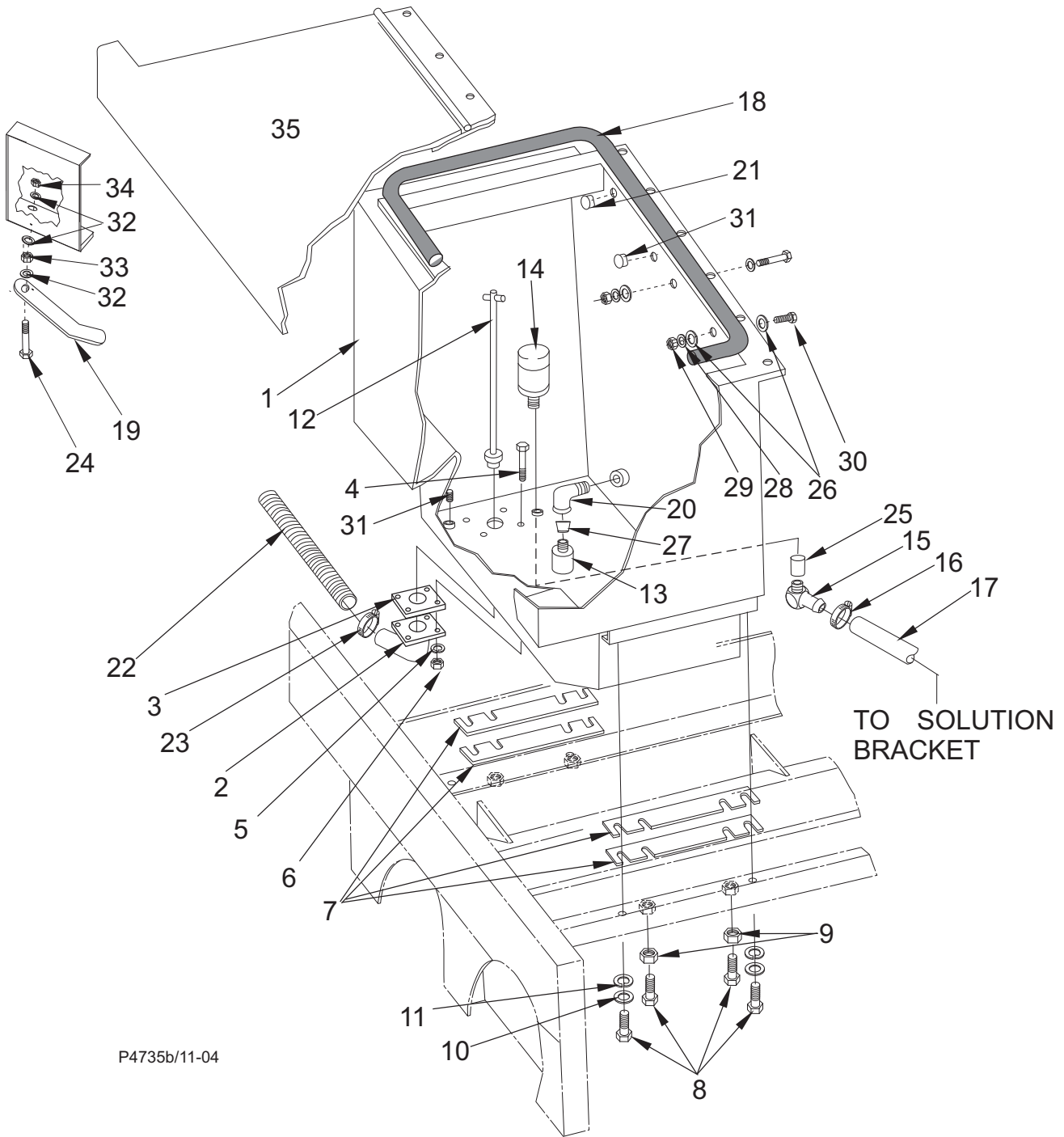
# = Revised or new since last update

\* = Part of Kit 0780-467

SOLUTION TANK

32

7765, 7760



P4735b/11-04

**SOLUTION TANK**

07-1

**7765, 7760****33**

Item	Ref. No.	Qty	Description
1~	7-83-04168	1	Solution Tank, Stainless Steel (Standard)
	7-83-04167		Solution Tank, Mild Steel (Option)
2	7-25-02046	1	Fitting, Drain
3	7-29-00100	1	Gasket, Tank Drain
4	56002884	4	Cap Screw, 5/16-18 x 1 1/4 SS
5	2-00-04691	4	Lock Washer, Helical Spring 5/16 Med SS
6	2-00-04692	4	Nut, Hex 5/16 - 18 x .50 x .265 SS
7	7-75-01088	4	Spacer
8	2-00-01254	4	Screw, 1/2 - 13 x 1.50 HHC
9	2-00-02371	4	Nut, 1/2-13 Hex Jam
10	2-00-02312	4	Lock Washer, Helical Spring 1/2 Med
11	2-00-00405	4	Flat Washer, 1.062 x .531 x .093
12	7-25-02095	1	Drain Plug Assembly
13	7-82-00017	1	Switch, Float
14	7-24-04022	1	Strainer, Pump Inlet
15	2-00-05132	1	Fitting, 3/4 NPT, 3/4 Barb 90°
16	2-00-02220	2	Hose Clamp, .812 - 1.500
17	7-33-02178	1	Hose
18	7-29-00176	1	Gasket, Solution Tank
19	7-32-03020	1	Holder, Hose
20	2-00-06529	1	Elbow, 90° 1/4 NPT
21	2-00-05724	1	Plug, 3/4 NPT Nylon
22	7-33-02335	1	Drain Hose, 44"
23	2-00-02216	1	Clamp, Hose
24	2-00-00234	1	Screw, 3/8-16 x 1.50 HHC
25	2-00-05686	1	Fitting, 3/4 NPT x 2" Nylon Nipple
26	2-00-04590	4	Washer, SS Sealing
27	2-00-06528	1	Reducer, 1/4 NPT - 1/8 NPT Brass
28	2-00-04687	4	Lock Washer, 1/4 SS
29	2-00-04688	4	Nut, 1/4-20 SS Hex
30	2-00-04685	4	Screw, 1/4 - 20 x .500 HHC SS
31	2-00-05940	2	Plug, 1/4 NPT Nylon
32	2-00-03979	3	Flat Washer, 3/8
33	2-00-02360	1	Nut, 3/8-16 Hex
34	2-00-04182	1	Nut, 3/8-16 Fiber Lock
35	7-16-07275	1	Cover, Solution Tank

~If you are ordering a replacement tank, you should also order:

1 of 8-18-00568 (7765 decal-provides 2) or 1 of 8-18-00541 (7760 for Export)

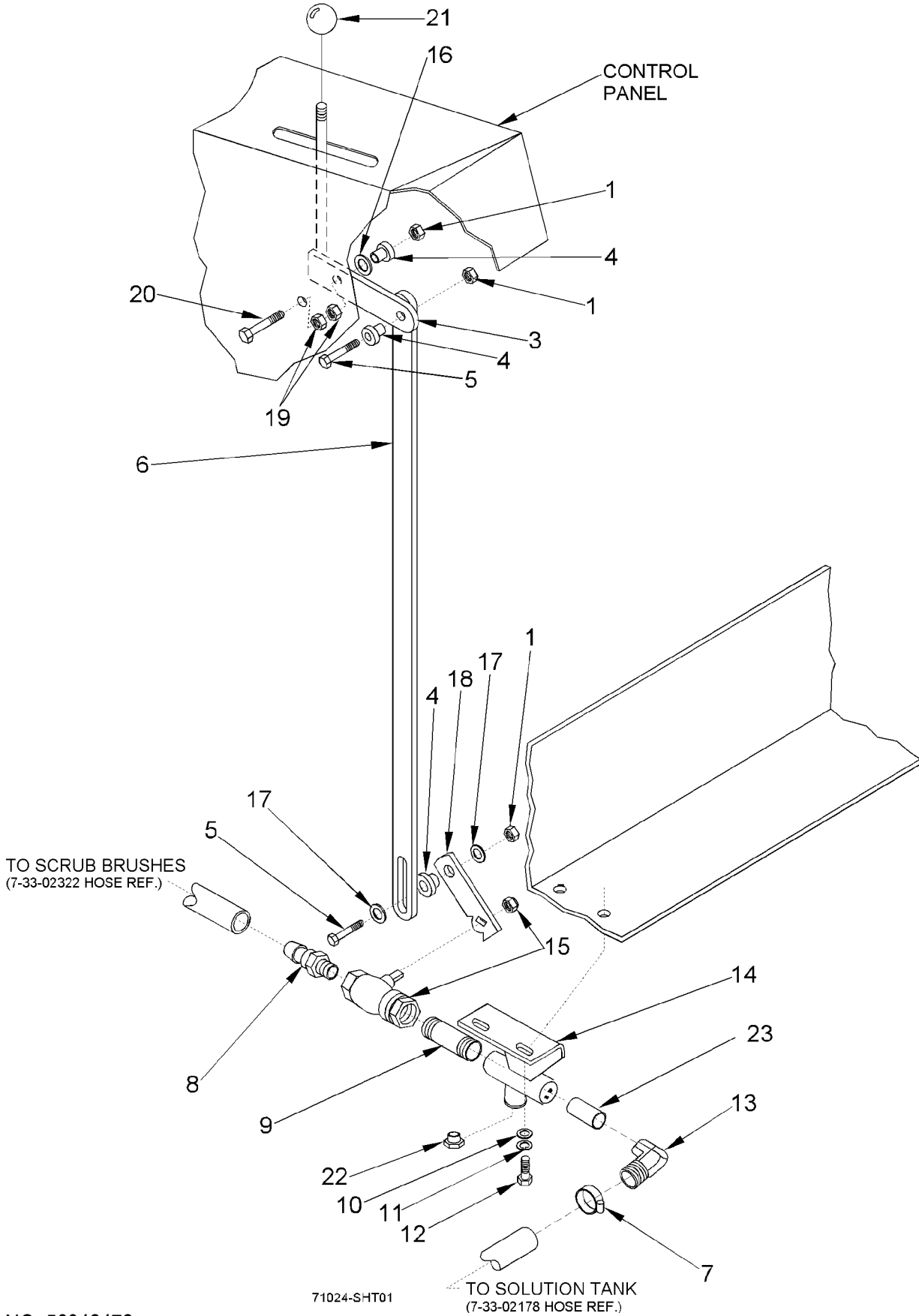
1 of 8-18-00525 (American-Lincoln logo) or 1 of 8-18-00549 (A-L Tech for Export)

SOLUTION FEED LINKAGE

34

7765, 7760

07-1



**SOLUTION FEED LINKAGE**

07-1

**7765, 7760****35**

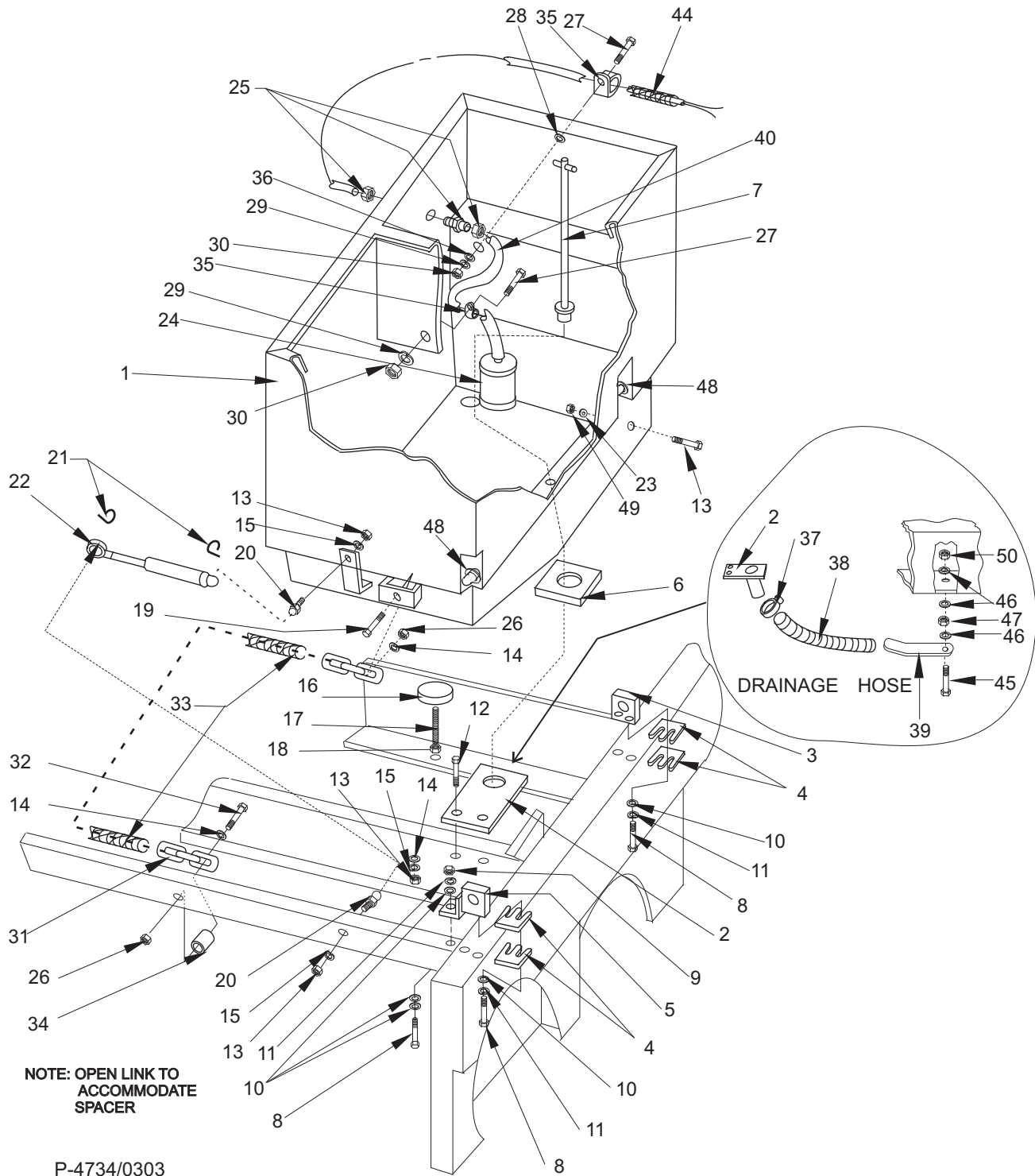
Item	Ref. No.	Qty	Description
1	2-00-00644	3	Fiber Insert Nut, Hex 5/16 - 18 x Hex
2			
3	7-41-05086	1	Solution Control Lever
4	7-09-01057	3	Bushing
5	2-00-00207	2	Screw, 5/16 - 18 x 1.250 HHC
6	7-42-05090	1	Solution Control Link
7	2-00-03407	1	Hose Clamp
8	7-25-02052	1	Hose Fitting, 3/4 Barbed, 14 NPT Nylon
9	2-00-03586	2	Pipe Nipple, 3/4 NPT x 2.00 short
10	2-00-03702	2	Flat Washer, .625 x .281 x .062
11	2-00-00518	2	Lock Washer, Helical Spring 1/4 Med
12	2-00-00221	2	Screw, 1/4 - 20 x .750 HHC
13	2-00-05132	1	Fitting, 3/4 NPT, 3/4 Barbed, 90°, Nylon
14	7-08-00437	1	Bracket, Solution Pipe
15	7-88-00027	1	Ball Valve
16	2-00-03382	1	Spring Washer, .875 x .500 x .015
17	2-00-00409	2	Flat Washer, .687 x .343 x .0623
18	7-41-05085	1	Solution Valve Lever
19	2-00-00600	2	Nut, Hex Hvy. 3/8 - 16 x .687 x .359
20	2-00-00211	1	Screw, 5/16 - 18 x 1.750 HHC
21	8-39-00002	1	Knob
22	2-00-05724	1	Plug, Pipe, 3/4 NPT, Nylon
23	2-00-05131	1	Nipple, Closed 3/4 NPT x 1.38

71024-sht01

RECOVERY TANK

36

7765, 7760



NOTE: OPEN LINK TO ACCOMMODATE SPACER

P-4734/0303

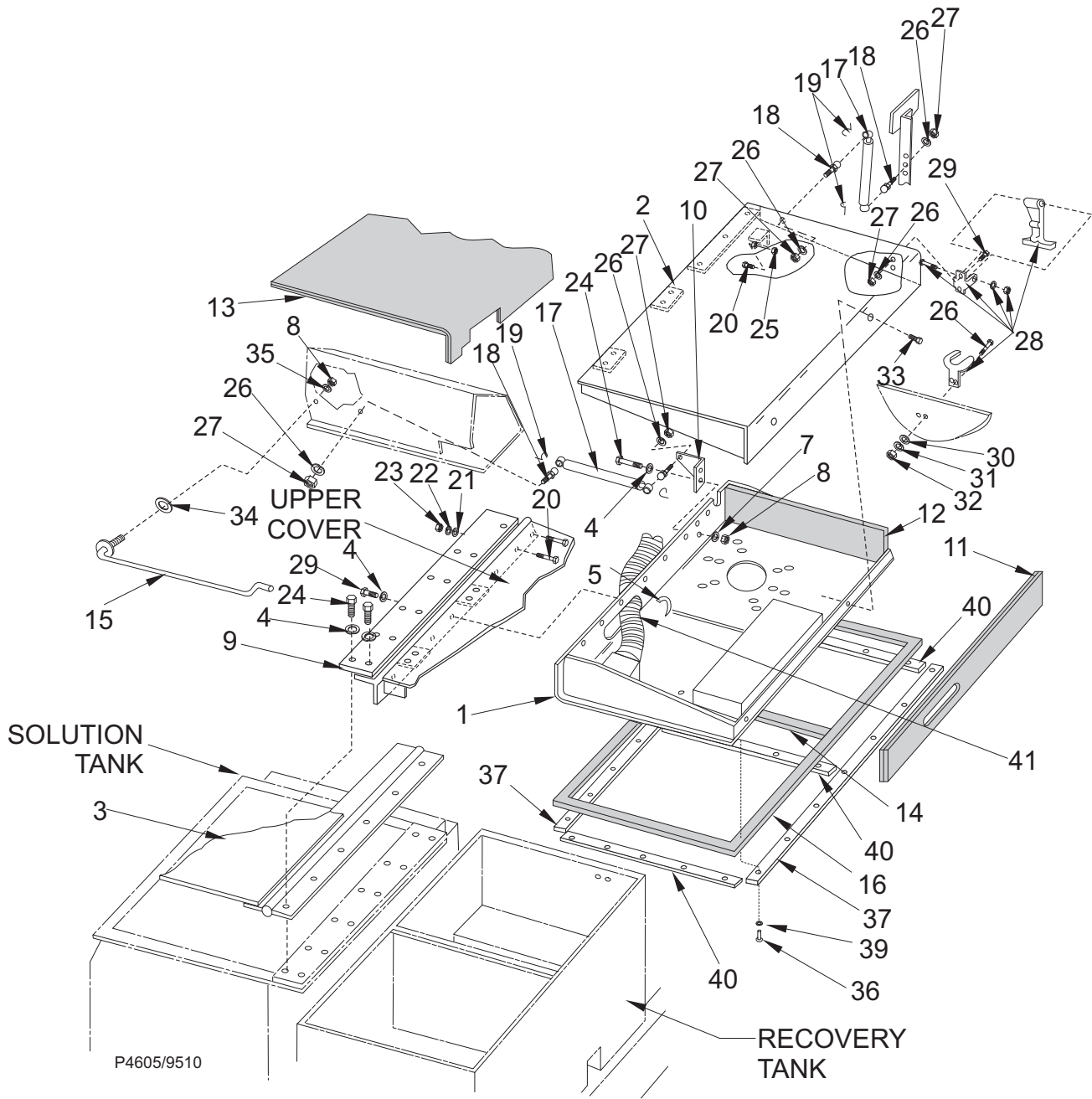
**RECOVERY TANK****7765, 7760****37**

Item	Ref. No.	Qty	Description
1*	7-83-04218	1	Recovery Tank - Stainless Steel (Standard)
	7-83-04224		Recovery Tank - Mild Steel (Option)
2	7-56-05023	1	Fitting Weldment
3	7-81-00126	1	Support
4	7-71-00009	4	Shim
5	7-08-00486	1	Bracket Weldment
6	7-29-00146	1	Gasket
7	7-25-02095	1	Drain Plug Assembly
8	2-00-00209	4	Screw, 3/8 - 16 x 1.250 HHC
9	2-00-02360	1	Nut, Hex, 3/8 - 16 x .562 x .328
10	2-00-04801	7	Washer, Flat, 1.000 x .390 x .062
11	2-00-02310	5	Washer, Lock, Helical Spring 3/8 Med
12	2-00-03569	2	Bolt, Carriage, 5/16 - 18 x .75
13	2-00-00183	1	Screw, PH THM 1/4-20 x .75
14	2-00-00409	4	Washer, 5/16 Flat SS
15	2-00-00530	4	Washer, Lock, Helical Spring 5/16 Med
16	7-78-05009	2	Stop
17	8-80-05014	2	Stud, 1/2-13 UNF-2A x 2.50
18	2-00-02371	2	Nut, Hex Jam, 1/2 - 13 x .750 x .312
19	2-00-00206	1	Screw, .313-18 x 1.00
20	7-80-05067	2	Stud, Gas Spring
21	7-13-07102	2	Safety Clip, Gas Spring
22	7-76-00103	1	Gas Spring, Recovery Tank Tilt
23	2-00-00518	1	Washer, 1/4 Med. Lock
24	7-82-00021	1	Switch, Float
25	8-09-01083	1	Connector, Float Switch
26	2-00-00644	6	Nut, Insert Fiber, .313-18
27	2-00-04685	9	Screw 1/4-20 x .75 HHC S.S.
28	2-00-04590	12	Washer, Sealing 1/4
29	2-00-04687	13	Washer, 1/4 Lock Split S.S.
30	2-00-04688	13	Nut, 1/4-20 Hex S.S.
31	7-13-05058	1	Chain
32	2-00-00207	2	Screw, 5/16-18 X 1.250 HHC
33	7-34-09018	1	Sleeve
34	7-75-01130	1	Spacer, .500 X .370 X .375
35	2-00-04602	3	Clamp, Float Switch
36	2-00-04689	1	Washer, 1/4 Flat S.S.
37	2-00-02216	1	Clamp
38	7-33-02336	1	Hose, 50.00
39	7-32-03020	1	Holder, Hose
40	8-08-07038	1	Hose
41	2-00-04690	3	Screw, 1/4 - 20 X 1.000 HHC
42	2-00-05028	6	Washer, Rubber
43	2-00-05236	6	Washer, Flat, 2.000 X .28 X .08 SS
44	8-43-00002	1	Loom, Wire
45	2-00-00234	1	Screw, HHC 3/8 - 16 X 1.500
46	2-00-00410	3	Washer, Flat, 3/8
47	2-00-02360	1	Nut, Hex, 3/8 - 16
48	2-00-00432	2	Washer, Flat, 1.125 x .766 x .063
49	2-00-00594	1	Nut, Hex, STD FIN 1/4-20
50	2-00-00643	1	Nut, Fiber, 3/8 - 16

\*If you are ordering a replacement tank, you should also order:

1 of 8-18-00568 (7765 decal-provides 2) or 1 of 8-18-00541 (7760 for Export)

1 of 8-18-00525 (American-Lincoln logo) or 1 of 8-18-00549 (A-L Tech for Export)



P4605/9510

**RECOVERY TANK LID**

**7765, 7760**

**39**

Item	Ref. No.	Qty	Description
1	7-16-07380	1	Recovery Tank Lower Cover
2	7-16-07295	1	Recovery Tank Upper Cover
3	7-16-07275	1	Solution Tank Cover
4	2-00-03702	2	Flat Washer, 1/4
5	3-73-00076	2.33'	Edging
6	2-00-02708	2	Screw, 5/16-18 x 1.0 HHC
7	2-00-01803	6	Flat Washer, 5/16
8	2-00-00644	1	Nut, Hex Fiber Insert 5/16-18
9	7-79-00057	2	Strap
10	7-08-00490	1	Bracket
11	7-34-09020	1	Lower Cover Insulation
12	7-34-09019	1	Lower Cover Insulation
13	7-34-09021	1	Lower Cover Insulation
14	7-29-00229	1	Gasket, Center Section
15	7-66-00145	1	Cover Support Rod
16	7-29-00228	1	Gasket, Perimeter
17	7-76-00104	2	Gas Spring
18	7-80-05067	4	Stud (13 mm)
19	7-13-07102	4	Clip
20	2-00-01254	1	Screw, 1/2-13 x 1.50 HHC
21	2-00-00518	6	Lock Washer, 1/4
22	2-00-00594	2	Nut, Hex 1/4-20 x .437 x .218
23	2-00-04876	8	Screw, 1/4-20 x 1/2 BHS
24	2-00-00205	14	Screw, 1/4-20 x 1.0 HHC
25	2-00-00596	1	Nut, Hex 1/2-13 x .750 x .437
26	2-00-00530	8	Lock Washer, 5/16 Helical Spring
27	2-00-00585	6	Nut, 5/16-18
28	8-41-00033	1	Latch Assembly
29	2-00-00049	4	Screw, 10-24 x 1/2
30	2-00-01974	2	Sealing Washer, .562 x #10 x .065
31	2-00-00519	4	Lock Washer, #10 Helical Spring
32	2-00-00605	4	Nut, Hex MS #10-24 x .375 x .125
33	2-00-00208	2	Screw, 5/16-18 x 3/4 HHC
34	7-23-03048	1	Spring Washer, .750 x .312 x .013
35	2-00-00409	3	Flat Washer, 5/16
36	2-00-04707	31	Pop Rivet, .125 Dia.
37	7-79-00081	2	Strap, Gasket Retainer
38	7-79-00082	1	Strap, Gasket Retainer
39	2-00-00455	31	Flat Washer #6
40	7-79-00087	2	Strap, Gasket Retainer
41	0780-467	1	Vac Hose

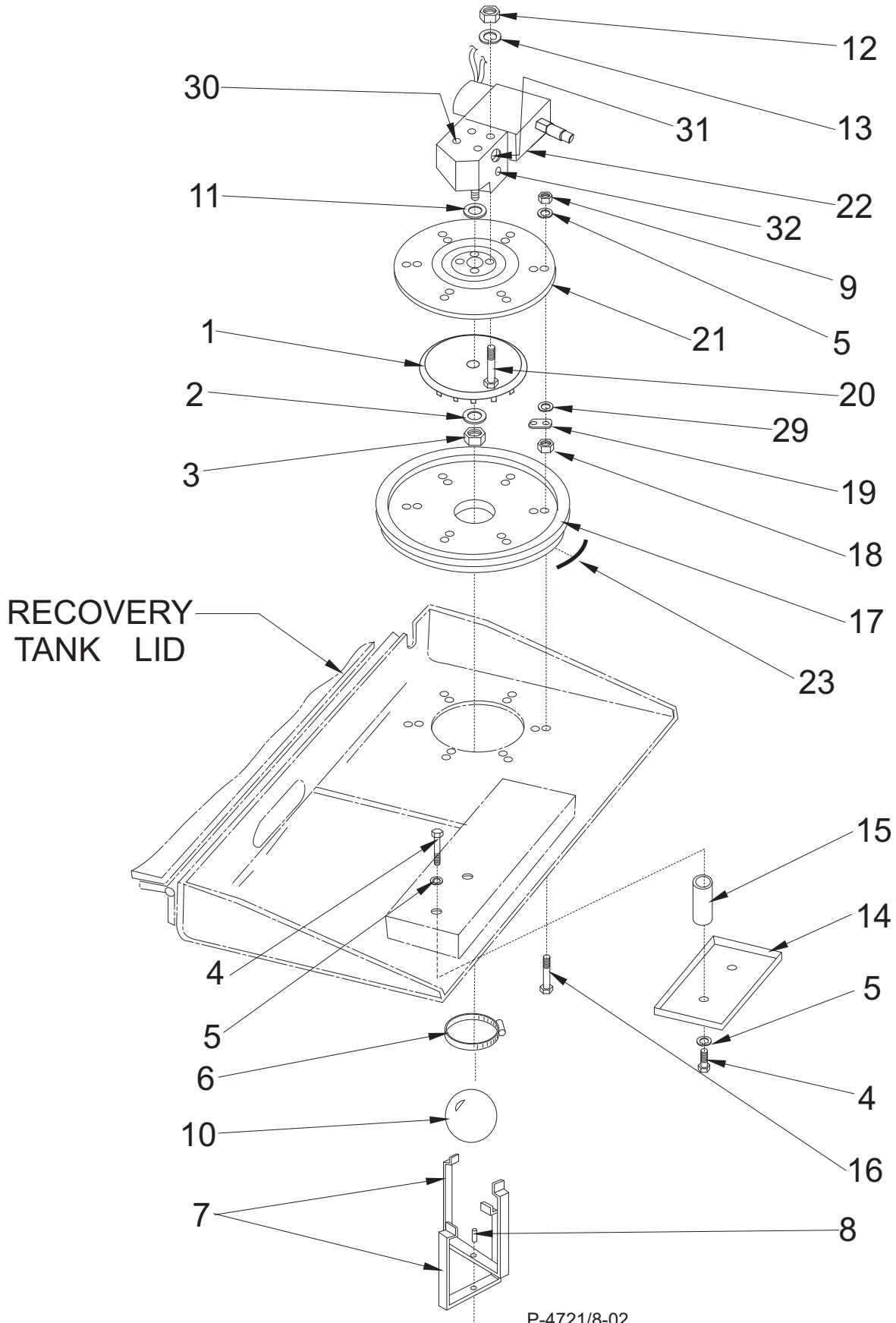
Key No.s 4, 5 and 6 must be ordered together for proper fit.

Lid Gasket Kit: 0880-644

VACUUM MOTOR & FLOAT

40

7765, 7760



P-4721/8-02

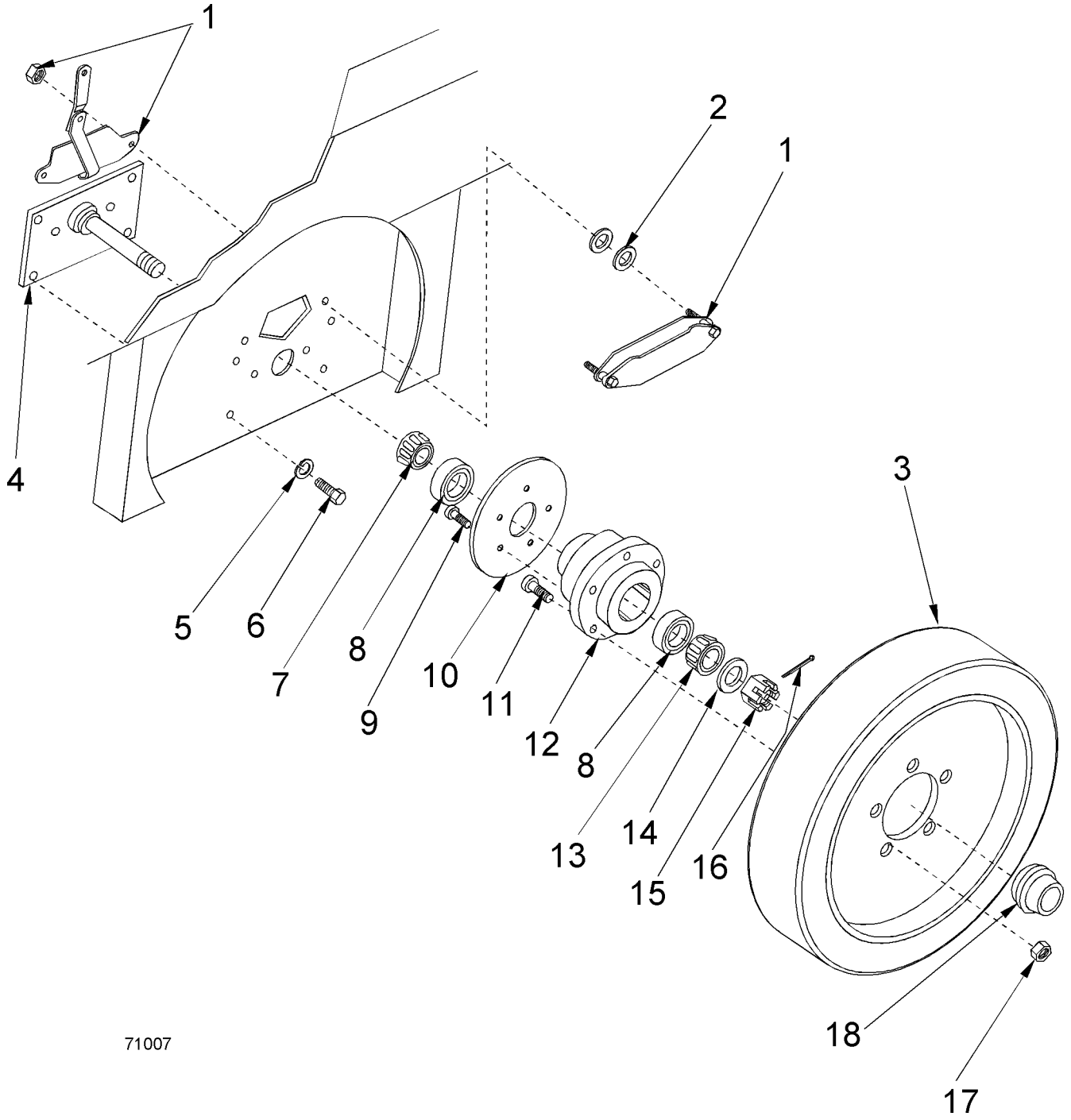
**VACUUM MOTOR & FLOAT****7765, 7760****41**

Item	Ref. No.	Qty	Description
1	7-34-04002	1	Impellor
2	2-00-00402	1	Flat Washer, .750 x .390 x .093
3	2-00-03412	1	Nut, Lock 3/8 - 24 x .562 x .281
4	2-00-00251	4	Screw, 1/4 - 20 x .500 HHCBB
5	2-00-00518	16	Lock Washer, Helical Spring 1/4 Med
6	2-00-03959	1	Hose Clamp, 3.562 - 4.500
7	7-79-00061	2	Strap-Float Ball
8	2-00-04115	1	Pop Rivet
9	2-00-00594	12	Nut, Hex 1/4 - 20 x .437 x .218
10	7-26-04011	1	Ball Float
11	2-00-00484	1	Spacer, .625 x .375 x .046
12	2-00-00585	4	Nut, Hex 5/16 - 18 x .50 x .265
13	2-00-00530	4	Lock Washer, Helical Spring 5/16 Med
14	7-68-00025	1	Screen
15	7-81-00134	2	Support
16	2-00-00222	12	Screw, 1/4 - 20 x 1.250 HHC
17	7-20-06004	1	Fan Duct
18	2-00-00641	12	Nut, Hex Fiber Insert 1/4 - 20
19	7-75-01159	6	Spacer
20	2-00-02653	4	Screw, 5/16 - 18 x 3.500 HHC
21	7-16-07276	1	Fan Cover
22	0782-145	1	Vacuum Motor Seal Kit: 7-70-00020 Coil: 7-14-07007 Valve: 7-12-02019
23	7-21-04029	1	Edging
24	2-00-04707	31	Rivet, 1/8 x .312
25	7-79-00081	2	Strap, Gasket Retainer
26	7-79-00082	1	Strap, Gasket Retainer
27	2-00-00455	31	Flat Washer, #10 Brass
28	7-79-00087	2	Strap, Gasket Retainer
29	2-00-03702	1	Washer, .625 x .281 x .063
30	2-00-04885	1	Fitting, SAE - OR 90 EL (not shown)
31	2-00-04975	1	Fitting, 45 - EL 8 ORS-8 SAE (not shown)
32	2-00-04976	1	Fitting, 45 - EL 4 ORS-4 SAE (not shown)

FRONT WHEEL & BRAKE

42

7765, 7760



71007

## FRONT WHEEL &amp; BRAKE

07-1

7765, 7760

43

Item	Ref. No.	Qty	Description
1	7-08-02006	1	Brake Caliper Assembly Weldment
	8-08-02036		Brake Caliper (Service Only) <b>(A-L only)</b>
2	2-00-04801	2	Flat Washer
3	7-89-08098	1	Molded Wheel
4	7-03-09007	1	Stub Axle Weldment
5	2-00-02312	6	Lock Washer, Helical Spring ½ Med.
6	2-00-02689	6	Screw, 1/2-20 x 1.0 HHC
7	2-00-02079	1	Roller Bearing, 2.328 x 1.250 x .703
8	2-00-04621	2	Roller Bearing, Cup Only
9	2-00-03051	5	Screw, 1/4-20 x 3/4 HSHC
10	7-08-02007	1	Brake Disc
11	8-80-05036	5	Stud, 1/2-20 x 1.56
12	7-33-09027	1	Hub, Front Wheel
13	2-00-04622	1	Roller Bearing, Cone (Timken)
14	2-00-05239	1	Washer, 1 1/16 x 2.0 <b>(A-L only)</b>
15	2-00-05026	1	Nut, 1-14 Fin. Slotted Hex
16	2-00-02436	1	Cotter Pin, .187 x 1.50
17	8-23-03065	5	Lug Nut, 1/2-20 x .800 x .620
18	8-11-00030	1	Dust Cap

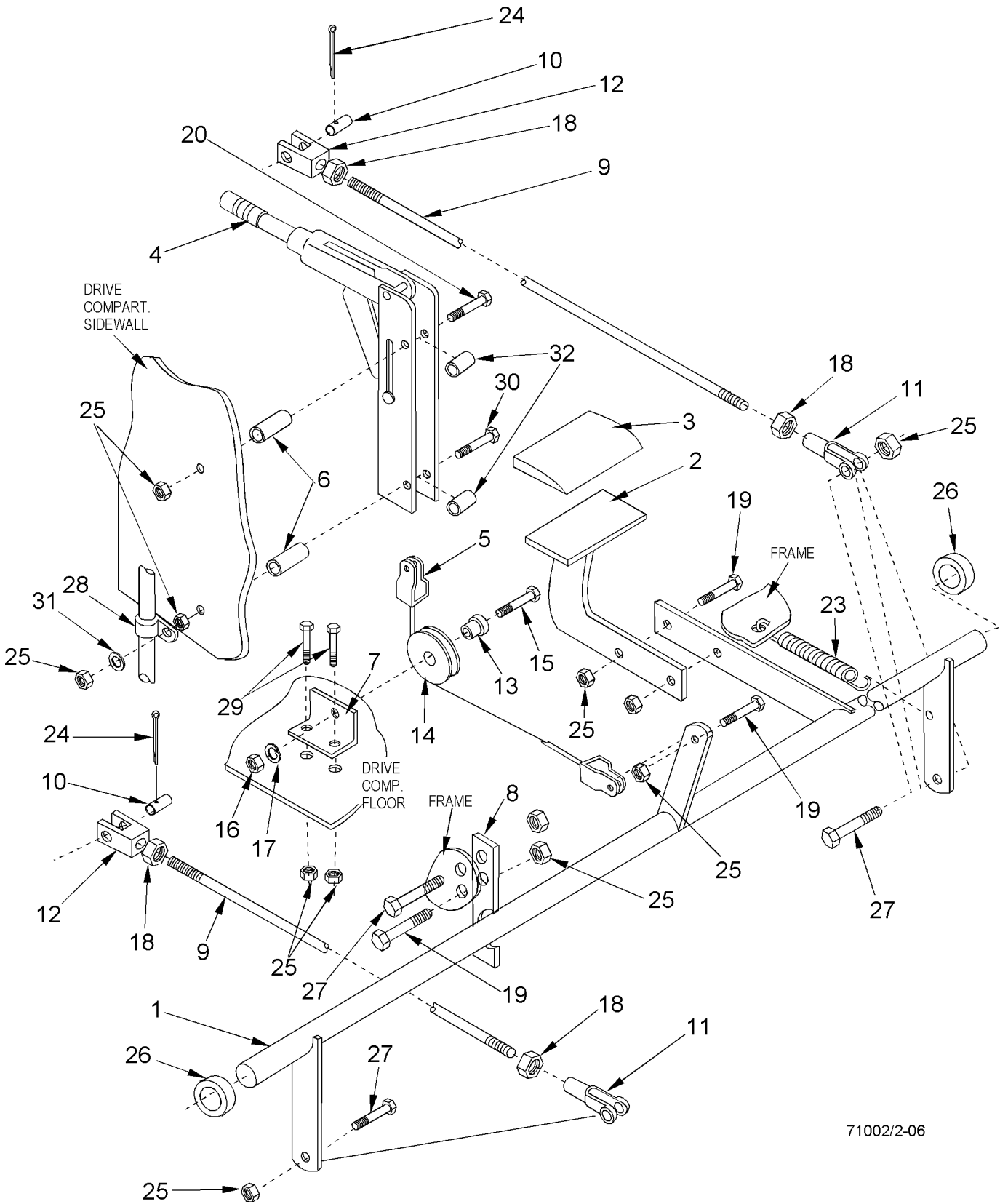
71007

**BRAKE LINKAGE**

44

7765, 7760

07-1



71002/2-06

**BRAKE LINKAGE**

07-1

**7765, 7760****45**

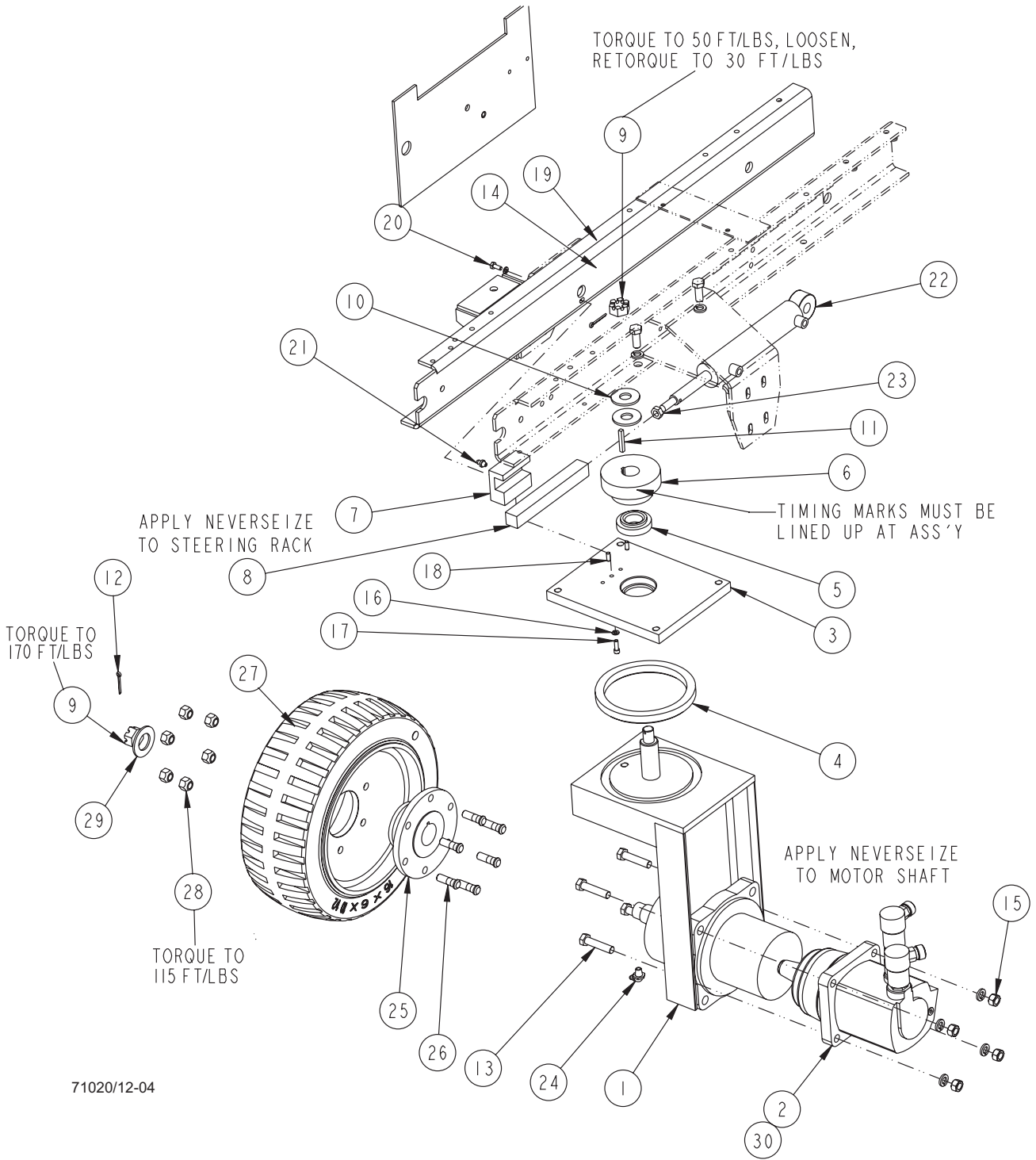
Item	Ref. No.	Qty	Description
1	7-70-05145	1	Cross Shaft
2	7-55-00009	1	Brake Pedal
3	8-50-05063	1	Pad, Brake Pedal
4	7-41-05083	1	Lever, Parking Brake
5	7-10-00019	1	Cable, Parking Brake
6	7-75-01096	2	Spacer, Lever Mounting
7	7-08-00501	1	Bracket, Brake Pulley
8	7-08-00502	1	Bracket, Brake Cross Shaft
9	7-66-00143	2	Rod, Brake
10	7-55-08122	2	Pin, Brake Clevis
11	8-14-01001	2	Clevis, 3/8 Rod
12	8-14-01007-1	2	Clevis, Brake Pedal
13	8-09-01065	1	Bushing, Pulley
14	8-60-00140	1	Pulley
15	2-00-00234	1	Screw, 3/8-16 x 1.50 HHC
16	2-00-02360	1	Nut, 3/8-16 x .562 x .328 Hex
17	2-00-02310	1	Lock Washer, 3/8 Helical Spring
18	2-00-02369	4	Nut, 3/8-16 x .562 x .218 Hex Jam
19	2-00-00206	5	Screw, 5/16-18 x 1.0
20	2-00-01770	1	Screw, 5/16-18 x 2.75 HHC
21			Intentionally Omitted
22			Intentionally Omitted
23	7-76-00102	1	Spring
24	2-00-02428	2	Cotter Pin, .062 x .750
25	2-00-00644	12	Nut, 5/16-18 Fiber Insert Hex
26	7-15-01014	2	Collar w/setscrew, 1.625 x 1.00 x .750
27	2-00-00207	3	Screw, 5/16-18 x 1.25 HHC
28	2-00-04873	1	Clamp, 1/2 Cable
29	2-00-00208	2	Screw, 5/16-18 x .75 HHC
30	2-00-02597	1	Screw, 5/16-18 x 3.25 HHC
31	2-00-00409	1	Flat Washer, .687 x .343 x .062
32	7-75-01126	2	Spacer, .500 x .327 x .780 (Part of #4)

71002

REAR WHEEL

46

7765, 7760



71020/12-04

**REAR WHEEL**

07-1

**7765, 7760**

**47**

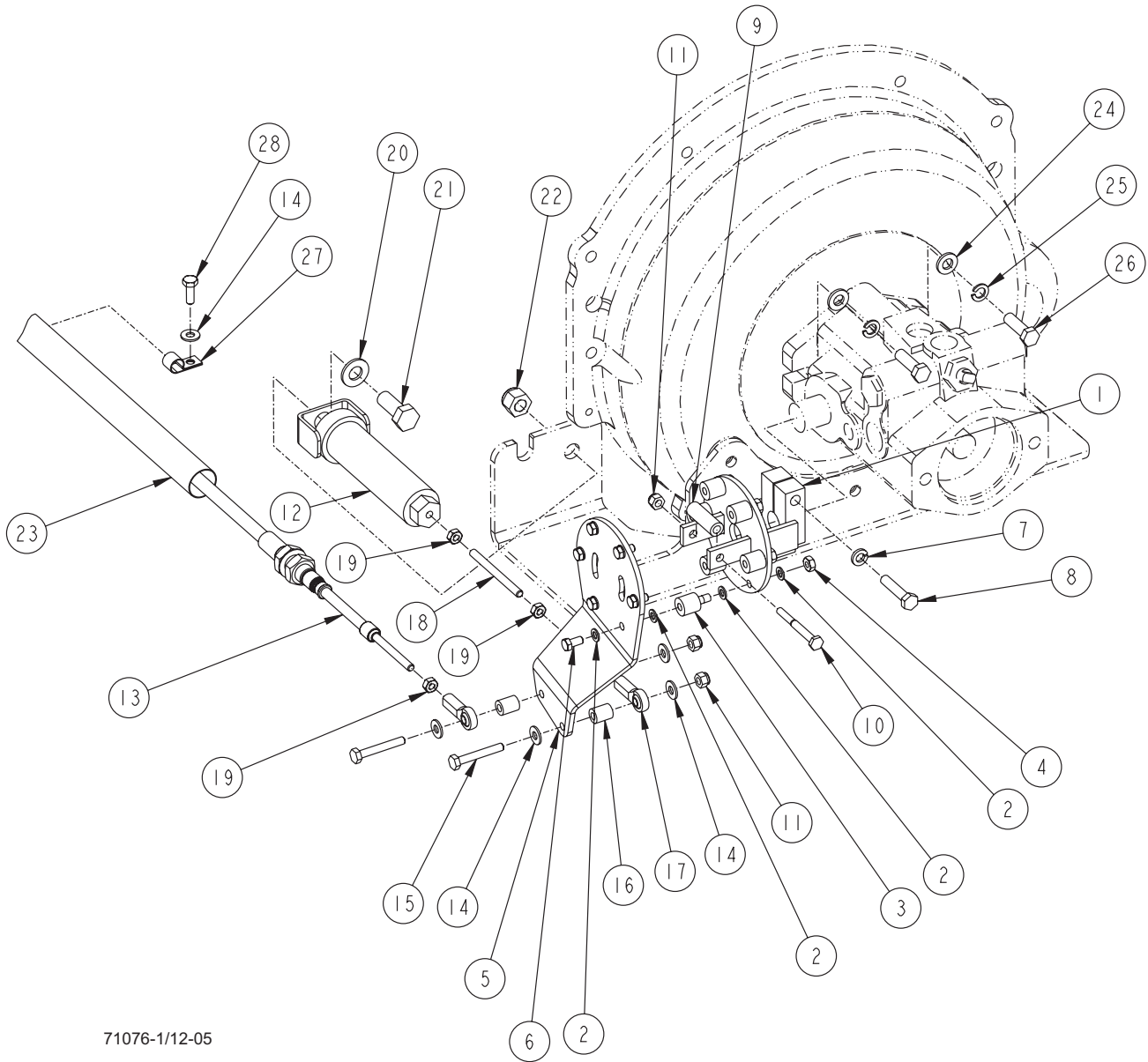
Item	Ref. No.	Qty	Description
1	7-81-00225	1	Support, Rear Wheel
2~	0885-051-1	1	Hydraulic Motor (Key: 8-70-00026 - one comes w/motor) (Nut: 8-70-00027 - one comes w/motor) (Motor Seal Kit: 0880-586 - Service Part) (Shaft Seal Kit: 0880-238 - Service Part)
3	7-58-05229	1	Bearing Plate
4	2-00-04455	1	Thrust Bearing (TIMKEN -#T581)
5	2-00-04456	1	Cup Bearing (TIMKEN - #15245)
6	7-29-05037	1	Spur Gear
7	7-30-08012	1	Rack Guide
8	7-62-00006	1	Rack
9	2-00-04841	2	Nut, 3/4-16 x 1.125 x .641 Slotted Hex
10	8-75-01157	2	Flat Washer, 3/4 Series W
11	2-00-03761	1	Key, .250 x 1.750 SQ.
12	2-00-04803	2	Cotter Pin, 1/8" dia. x 2.00 STL
13	2-00-00242	4	Screw, 1/2 - 13 x 2.250 HHC
14	2-00-02312	8	Lock Washer, Helical Spring 1/2 Med
15	2-00-00596	4	Nut, Hex 1/2 - 13 x .750 x .437
16	2-00-00518	2	Lock Washer, Helical Spring 1/4 Med
17	2-00-03051	1	Screw, 1/4-20 x .750 SHCS
18	2-00-01260	2	Dowel Pin, .250 x .625
19	2-00-00240	4	Screw, 1/2 - 13 x 1.250 HHC
20	2-00-00220	1	Screw, 1/4 - 20 x .625 HHC
21	2-00-00566	1	Lubrication Fitting, Straight 1/8 NPT
22	7-17-05010	1	Power Steering Hydraulic Cylinder
23	2-00-00591	1	Nut, Hex Jam 1/2 - 20 x .750 x .312
24	2-00-02568	1	Lubrication Fitting, 45° 1/8 NPT
25*	7-33-09063	1	Hub, Drive Wheel
26*	7-80-05056-1	6	Studs Only
27*	7-89-08069	1	Tire & Outer Rim Only
	7-85-06008	1	Tire Only (16 x 16 x 10.5)
28*	8-23-03065	6	Nut, Wheel
29	2-00-05225	1	Washer, 1.25 ID x 2.25 OD x .13

~CE Models only use the following: 0885-083 motor; Seal kits are the same as 0885-051-1

\*Part of 6" press-on wheel complete assembly 7-89-08068

Hub Assembly w/pressed-in studs (Item No.'s 25 & 26): 0780-656

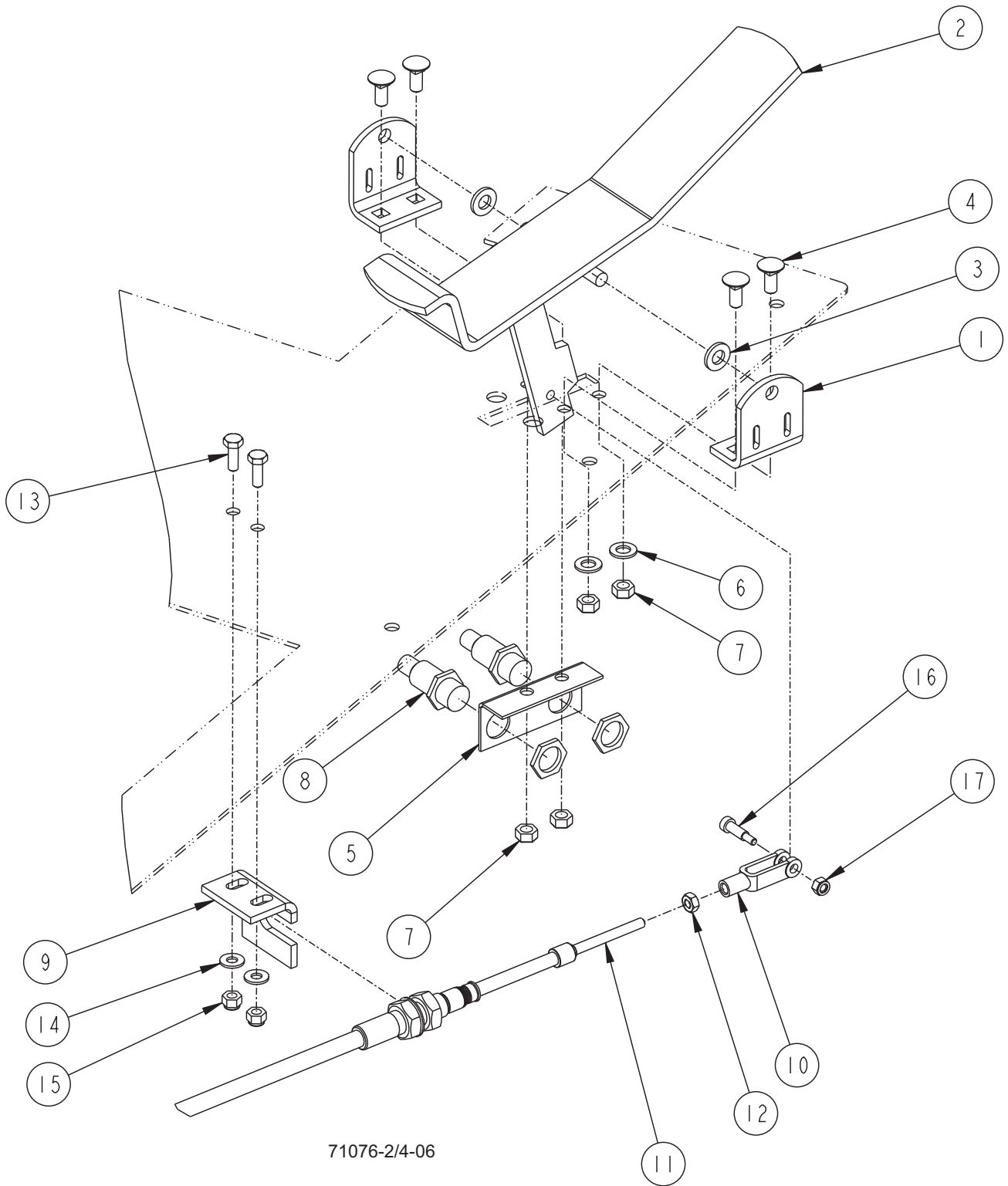
71020



71076-1/12-05

Item	Ref. No.	Qty	Description
1	7-03-04105	1	Transmission Arm
2	2-00-00501	24	Lock Washer, 1/4 Int.
3	7-75-01089	6	Isolator
4	2-00-00594	6	Nut, 1/4-20 Hex
5	7-58-05361	1	Plate, Hydrostat Arm
6	2-00-00219	6	Screw, 1/4-20 x 1/2 HHC
7	2-00-00530	1	Lock Washer, 5/16 Med Helical Spring
8	2-00-00225	1	Screw, 5/16-18 x 1.5 HHC
9	7-75-01110	1	Spacer, Transmission Arm
10	2-00-00246	1	Screw, 1/4-20 x 2.25 HHC
11	2-00-00641	3	Nut, 1/4-20 Fiber Insert
12	8-16-00025	1	Centering Control
13	7-16-00009	1	Cable, Forward/Reverse Cable
14	2-00-03702	5	Washer, .625 x .281 x .063
15	2-00-01769	2	Screw, 1/4-20 x 1.75
16	7-75-01274	2	Spacer, 1/4 OD x 1/2 ID x 5/8
17	7-25-02111	2	Rod End, 1/4 Female
18	7-66-00147	1	Rod, 1/4-28 x 3.0 Centering Control Adjustment
19	2-95-01999	3	Nut, 1/4-28 x .437 x .156 Hex Jam
20	2-00-00405	1	Flat Washer, .750 x .281 x .062
21	2-00-00240	1	Screw, 1/2-13 x 1.25 HHC
22	2-00-04936	1	Nut, 1/2-13 Elastic Lock
23	7-34-09034	1	Reflective Sleeve, 1" dia. x 16"
24	2-00-00402	2	Flat Washer, .750 x .390 x .093
25	2-00-02310	2	Lock Washer, 3/8 Helical Spring
26	2-00-00209	2	Bolt, 3/8-16 x 1.25 Hex Head
27	2-00-04602	1	Clamp
28	2-00-00221	1	Screw, 1/4-20 x .750 HHC

71076-1

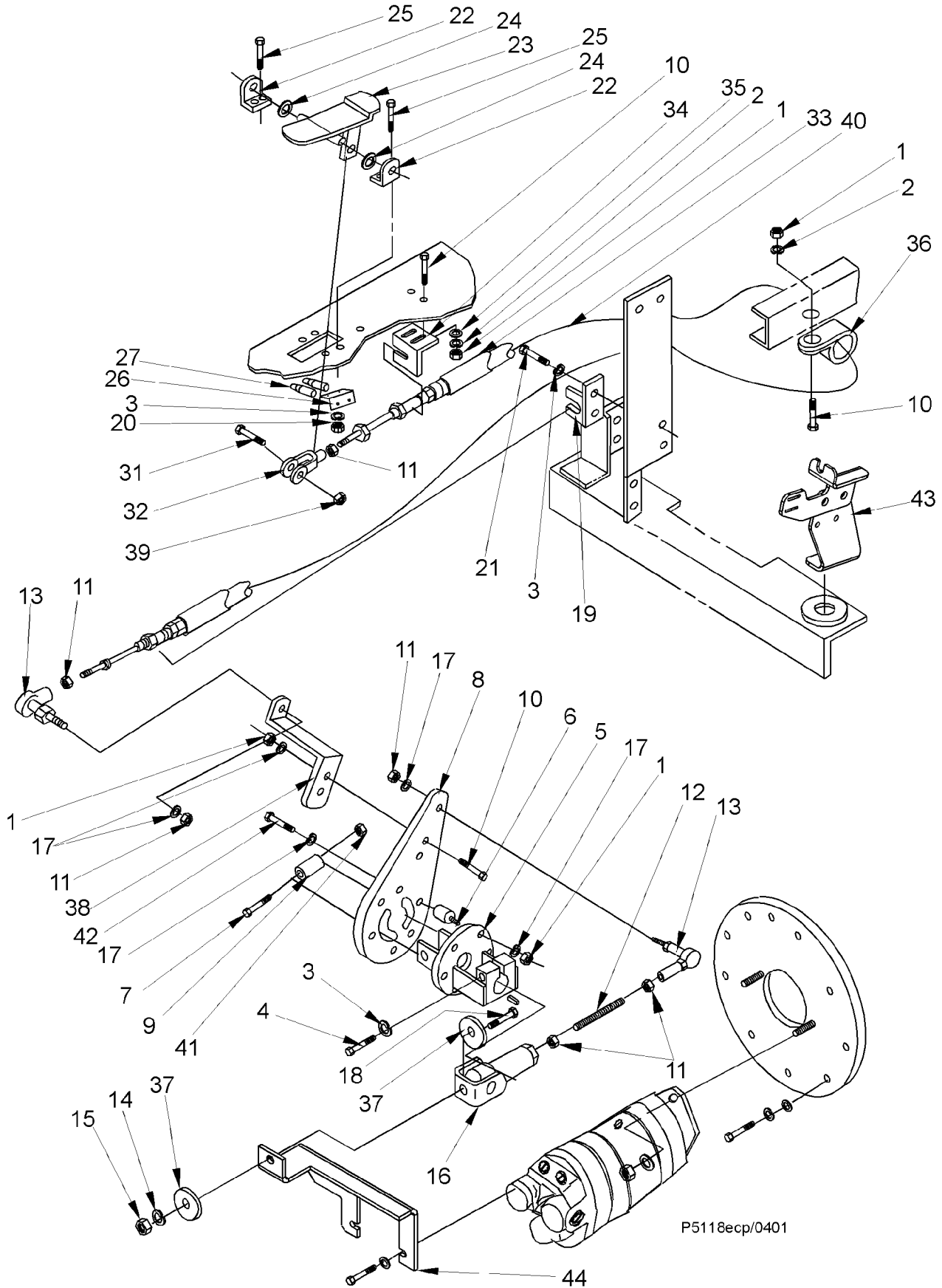


Item	Ref. No.	Qty	Description
	00000027	2	Forward/Reverse Motor
2	75500000		Forward/Reverse
	20000402	2	Forward/Reverse .750 x .000 x .000
4	20000560	4	Forward/Reverse 5/16 x 1/4
5	70000200		Forward/Reverse
6	20000400	2	Forward/Reverse .617 x .44 x .062
7	20000505	4	Neutral 5/16 x Forward/Reverse
	70000047	2	Forward/Reverse
	00000506		Forward/Reverse Motor
00	00040006		Forward/Reverse
00	70060000		Forward/Reverse
02	20050000		Neutral 4/20 x .47 x .56
00	20000022	2	Forward/Reverse 4/20 x 1/4
04	20000702	2	Forward/Reverse .625 x .20 x .06
05	20000064	2	Neutral 4/20 Forward/Reverse
06	20000456		Forward/Reverse 4/5
07	20000246		Neutral 0/24 Forward/Reverse

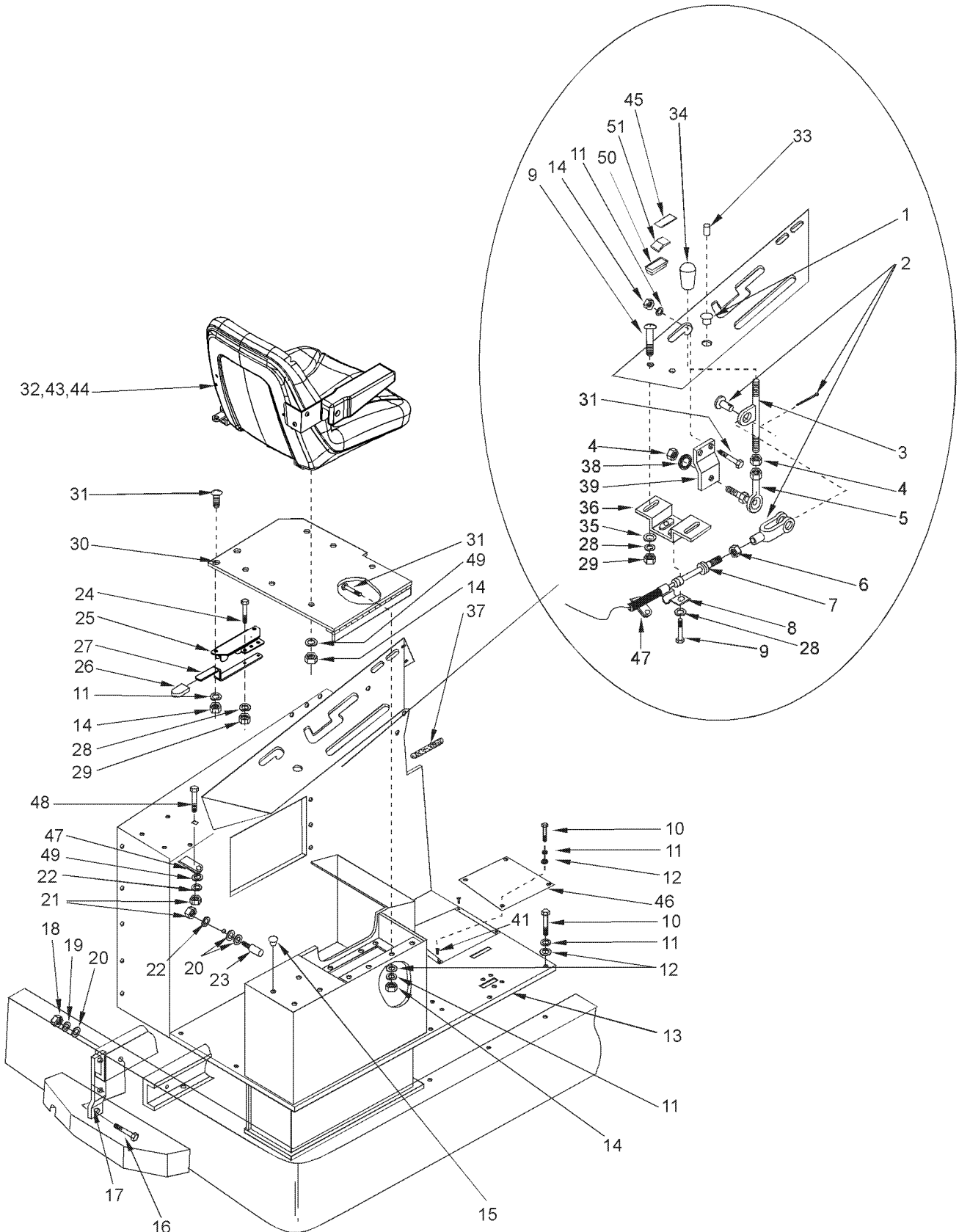
7076:2

INSTALLATION INSTRUCTIONS

1. ASSEMBLE BALL JOINT TO THREADED ROD FOR FULL ENGAGEMENT
2. THREAD ON JAM NUTS (ITEM 19-pg 48), THEN THREAD ROD END ASSEMBLY INTO HYDROBACK SPRING
3. ASSEMBLE HYDROBACK SPRING TO BRACKET AND ROD END AS SHOWN
4. ADJUST NEUTRAL POSITION BY TURNING HEX END OF THE HYDROBACK SPRING; TIGHTEN JAM NUTS
5. CONNECT FORWARD/REVERSE CABLE ONLY AFTER NEUTRAL POSITION IS ESTABLISHED
6. THREAD A MINIMUM OF 3/8" OF THE CABLE END INTO THE CLEVIS
7. FULL THREAD ENGAGEMENT IS REQUIRED FOR THE BALL JOINT AND CABLE END CONNECTION
8. 3/4" REAR HEEL CLEARANCE IS REQUIRED BETWEEN THE FOOT PEDAL AND THE OPERATOR COMPARTMENT FLOOR



Item	Ref. No.	Qty	Description
1	2-00-00594	11	Nut, Hex 1/4 - 20 x .437 x .218
2	2-00-00518	3	Lock Washer, Helical Spring 1/4 Med
3	2-00-00530	5	Lock Washer, Helical Spring 5/16 Med
4	2-00-00225	1	Screw, 5/16-18 x 1.500 HHC
5	7-03-04105	1	Transmission Arm
6	7-75-01089	6	Isolator, 1/4-20
7	2-00-00246	1	Screw, 1/4-20 x 2.250 HHC
8	7-58-05220	1	Transmission Arm Plate
9	7-75-01110	1	Spacer, Transmission Arm
10	2-00-00221	5	Screw, 1/4-20 x .750 HHC
11	2-95-01999	4	Nut, Hex Jam 1/4-28 x .437 x .156
12	7-66-00147	1	Rod, 1/4-28 x 3.000
13	7-25-02050	2	Rod End, 1/4-28
14	2-00-02312	1	Lock Washer, Helical Spring 1/2 Med
15	2-00-02352	1	Nut, Hex 1/2-13 x .875 x .484
16	8-16-00025	1	Centering Control
17	2-00-00501	16	Lock Washer, 1/4 Int.
18	2-00-00240	1	Screw, 1/2-13 x 1.250 HHC
19	7-08-00583	1	Centering Control Bracket
20	2-00-00585	4	Nut, Hex 5/16-18 x .500 x.265
21	2-00-00208	2	Screw, 5/16-18 x .750 HHC
22	8-08-00327	2	Forward Reverse Pedal Bracket
23	7-55-00010	1	Forward Reverse Pedal
24	2-00-00402	2	Flat Washer, .750 x .390 x .093
25	2-00-03569	4	Carriage Bolt, 5/16 - 18 x .75
26	7-08-01200	1	Bracket, Foot Pedal Prox. Switch
27	7-82-00047	2	Switch, Proximity
31	2-00-04563	1	Screw, #10-24 x .625 x .375 SH
32	8-14-01006	1	Clevis
33	7-16-00009	1	Forward / Reverse Cable
34	8-08-00506	1	Cable Mounting Bracket
35	2-00-03702	2	Flat Washer, .750 x .281 x .062
36	2-00-04602	1	Hose Clamp, .500
37	2-00-00405	2	Flat Washer, .500
38	7-03-04106	1	Transmission Arm
39	2-00-01246	1	Nut, Hex Fiber Insert #10-24
40	7-34-09018	1	Insulating Sleeve
41	2-00-00641	1	Nut, Hex Fiber Insert 1/4-20
42	2-00-00219	6	Screw, 1/4-20 x .500 HHC
43	7-08-01209	1	Bracket, Forward/Reverse Cable
44	7-08-00585	1	Hydroback Bracket



**OPERATOR COMPARTMENT**

08-3

**7765, 7760**

**55**

Item	Ref. No.	Qty	Description
1*	2-00-02011	1	Plastic Plug, .440 Dia.
2*	7-14-07006	1	Clevis
3*	7-41-05092	1	Lever, Throttle Control
4	2-95-01999	2	Nut, Hex Jam 1/4-28 x .437 x .156
5*	7-25-02050	1	Rod End, 1/4-28
6	2-00-00626	1	Nut, Hex MS #10-32 x .375 x .125
7*	7-10-00024		Cable, Throttle
8*	8-13-07094	1	Clamp
9	2-00-03061	4	Screw, #10-24 x 1/2THM
10	2-00-00221	6	Screw, 1/4-20 x 3/4 HHC
11	2-00-00518	14	Lock Washer, 1/4 Helical Spring
12	2-00-03702	10	Flat Washer, .625 x .281 x .062
13	7-70-08008	1	Shell, Drive Compartment
14	2-00-00594	8	Nut, Hex 1/4-20 x .437 x .218
15	2-00-04514	4	Plastic Plug, .562 Dia.
16	2-00-00209	1	Screw, 3/8-16 x 1.0 HHC
17	7-08-00845	1	Bracket, Drive Compartment Support
18	2-00-00620	1	Nut, 7/16-14 Hex
19	2-00-04182	1	Lock Washer, 7/16
20	2-00-00402	3	Flat Washer, .750 x .390 x .062
21	2-00-00585	1	Nut, 5/16-18 x .500 x .265 Hex
22	2-00-00530	1	Lock Washer, 5/16 Helical Spring
23	7-55-08116	1	Striker Pin
24	2-00-04794	2	Screw, #10-24 x .625 BHS
25	8-41-00037	1	Rotary Latch
26	7-31-06061	1	Grip, Cover Latch
27	7-31-06076	1	Handle, Seat Cover Latch
28	2-00-00519	6	Lock Washer, #10 Helical Spring
29	2-00-00605	4	Nut, #10-24 x .375 x .125 Hex
30	7-16-07281	1	Cover
31	2-00-00220	8	Screw, 1/4-20 x .625 HHC
32#	7-69-00008	1	Seat
33<	7-11-04080	1	Check Engine Light
34*	7-39-00017	1	Knob
35	2-00-00426	2	Flat Washer, .500 x .218 x .062
36*	7-08-00590	1	Bracket, Throttle Cable Mounting
37	8-21-04019	1	Edging
38	2-00-00501	1	Lock Washer, 1/4 Int
39*	7-08-00589	1	Bracket, Throttle Control Mounting
41	2-00-05261	4	Riv-Nut - 1/4-20 THD
43	7-72-05005	1	Slide Adjuster Kit
44#	7-03-04249	1	Arm Rest Kit
45*#	2-00-05868	1	Cover, Switch
46	7-52-00149	1	Panel, Access
47*	2-00-04873	1	Clamp
48*	2-00-00196	1	Carriage Bolt, 5/16-18 x 1.0
49	2-00-00409	5	Flat Washer, .687 x .344 x .062
50<	2-00-05827	1	Base, Switch
51<	2-00-05988	1	Actuator, Throttle

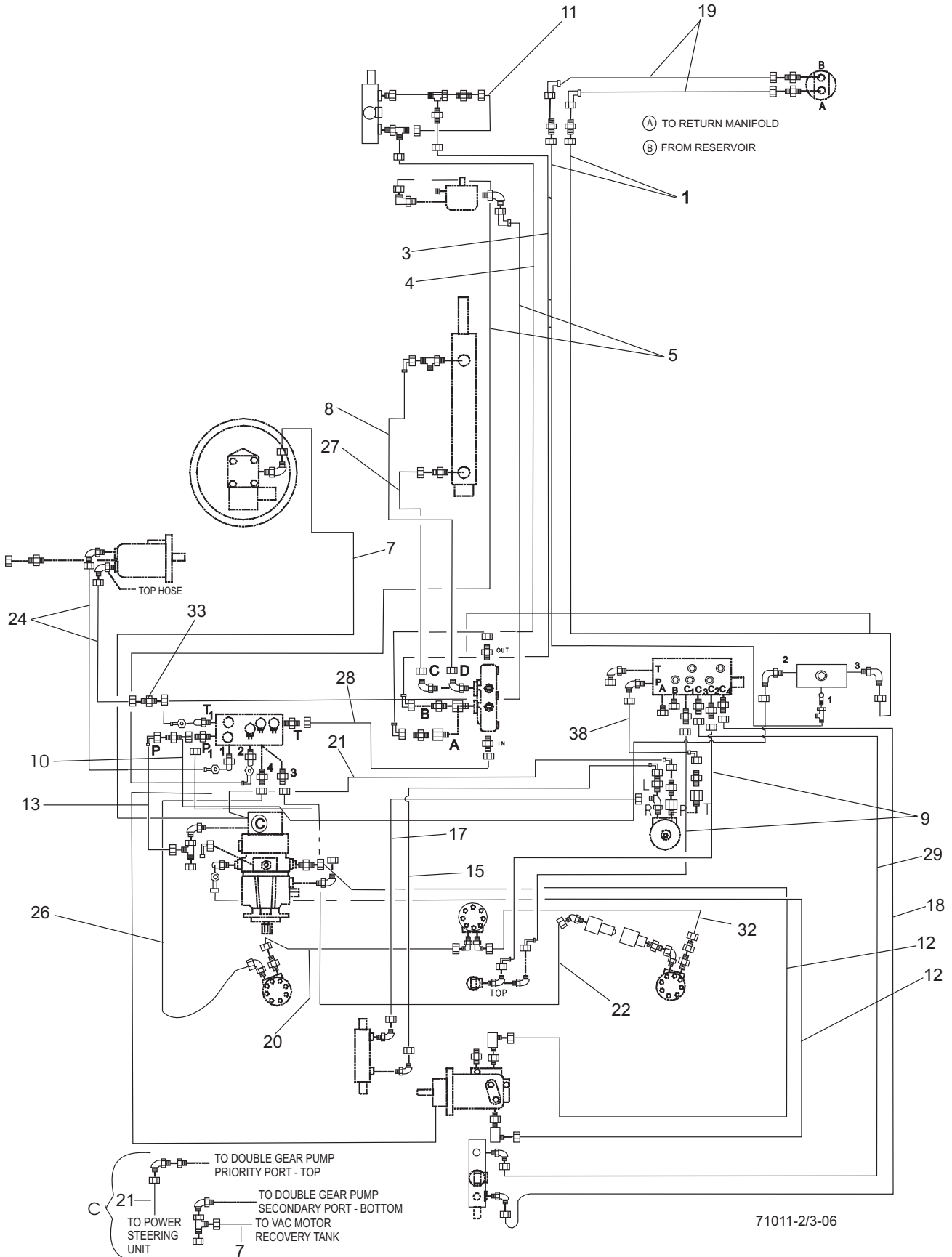
\*Diesel Only<Gas & LP Only

# = Revised or new since last update

# HYDRAULIC HOSE SYSTEM (VARIABLE DUMP)

56

7765, 7760



**HYDRAULIC HOSE SYSTEM (VARIABLE DUMP)**

**7765, 7760**

**57**

Item	Ref. No.	Qty	Description
1<	8-33-02277	2	Hydraulic Hose ORS 4-STR 110"
3<	8-33-02328	1	Hydraulic Hose ORS 4-90° to STR 78.5"
4<	7-33-02194	1	Hydraulic Hose ORS 4-90° to STR 80"
5<	7-33-02332	2	Hydraulic Hose ORS 8-90° to STR 102"
7+	8-33-02327	1	Hydraulic Hose ORS 8-STR 94"
7*	8-33-02195	1	Hydraulic Hose ORS 8-STR 69.5"
8+	7-33-02225	1	Hydraulic Hose ORS 4-90° to STR 38"
9+	7-33-02189	2	Hydraulic Hose ORS 4-90° to STR 26"
10<	8-33-02218	1	Hydraulic Hose ORS 4-STR 60"
11<	8-33-02178	1	Hydraulic Hose ORS 4-STR 15"
12+	7-33-02223	2	Hydraulic Hose ORS 8-45° to STR 87"
13+	8-33-02202	1	Hydraulic Hose ORS 8-90° to STR 20"
15+	7-33-02191	1	Hydraulic Hose ORS 4-90° to STR 42"
17+	7-33-02225	1	Hydraulic Hose ORS 4-90° to STR 38"
18+	8-33-02218	1	Hydraulic Hose ORS 4-STR 60"
19	8-33-02320	2	Hydraulic Hose ORS 4 90° to STR 64"
20	7-33-02327	1	Hydraulic Hose ORS 8-90° to STR 15.25"
21+	7-33-02334	1	Hydraulic Hose ORS 4-90° to STR 52.25"
22+	7-33-02546	1	Hydraulic Hose ORS 8-90° to STR 42.5"
24+	8-33-02214	2	Hydraulic Hose ORS 8-STR 29"
26+	7-33-02403	1	Hydraulic Hose, ORS 4-90° to STR 29"
27<	8-33-02178	1	Hydraulic Hose ORS 4-STR 15"
28<	8-33-02201	1	Hydraulic Hose ORS 8-45° to STR 18"
29+	8-33-02189	1	Hydraulic Hose ORS 4-STR 65"
32	7-33-02326	1	Hydraulic Hose ORS 8-90° to STR 17"
33	2-00-04987	1	ORFS Union, 13/16-16
38+	7-33-02190	1	Hydraulic Hose ORS 4-STR 67"

\* = Diesel Only

+ = Components of 0760-961, 7765 common hydraulic hose kit.

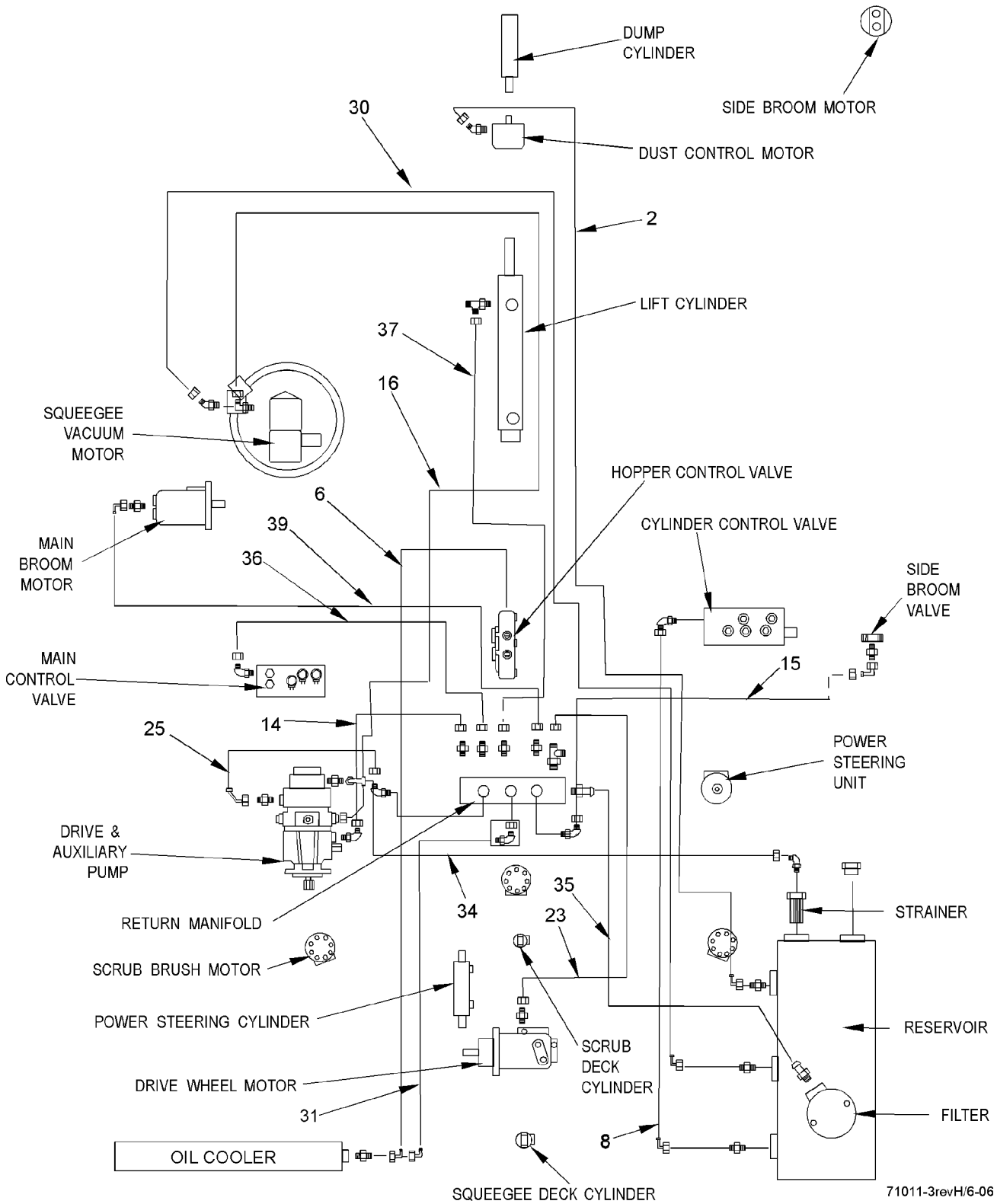
< = Components of 0760-962, 7765 VD hydraulic hose kit.

71011-2

SUCTION & RETURN HOSES (VARIABLE DUMP)

58

7765, 7760



71011-3revH/6-06

**SUCTION & RETURN HOSES (VARIABLE DUMP)****7765, 7760****59**

<b>Item</b>	<b>Ref. No.</b>	<b>Qty</b>	<b>Description</b>
2*	7-33-02333	1	Hydraulic Hose ORS 4-90° to STR 119"
6*	7-33-02734	1	Hydraulic Hose ORS 8-90° to STR 68"
8*	7-33-02225	1	Hydraulic Hose ORS 4-90° to STR 38"
14#	7-33-02186	1	Hydraulic Hose ORS 4-STR 30"
15#	7-33-02191	1	Hydraulic Hose ORS 4-90° to STR 42"
16*	8-33-02192	1	Hydraulic Hose ORS 8-STR 80"
23#	8-33-02184	1	Hydraulic Hose ORS 4-STR 50.5"
25#	7-33-02197	1	Hydraulic Hose ORS 8-45° to STR 52.5"
30#	7-33-02224	1	Hydraulic Hose ORS 4-90° to STR 155"
31#	7-33-02551	1	Hydraulic Hose ORS 8-90° to STR 35"
34#	7-33-02331	1	Hydraulic Hose ORS 16-STR 46"
35	7-33-02244	1	Hydraulic Hose 1.0" ID Low Pressure 33"
36#	7-33-02180	1	Hydraulic Hose ORS 4-STR 37"
37*	8-33-02183	1	Hydraulic Hose ORS 4-STR 49"
39#	8-33-02200	1	Hydraulic Hose ORS 4-90° to STR 55"

# = Components of 0760-961, 7765 common hydraulic hose kit.

\* = Components of 0760-962, 7765 VD hydraulic hose kit.

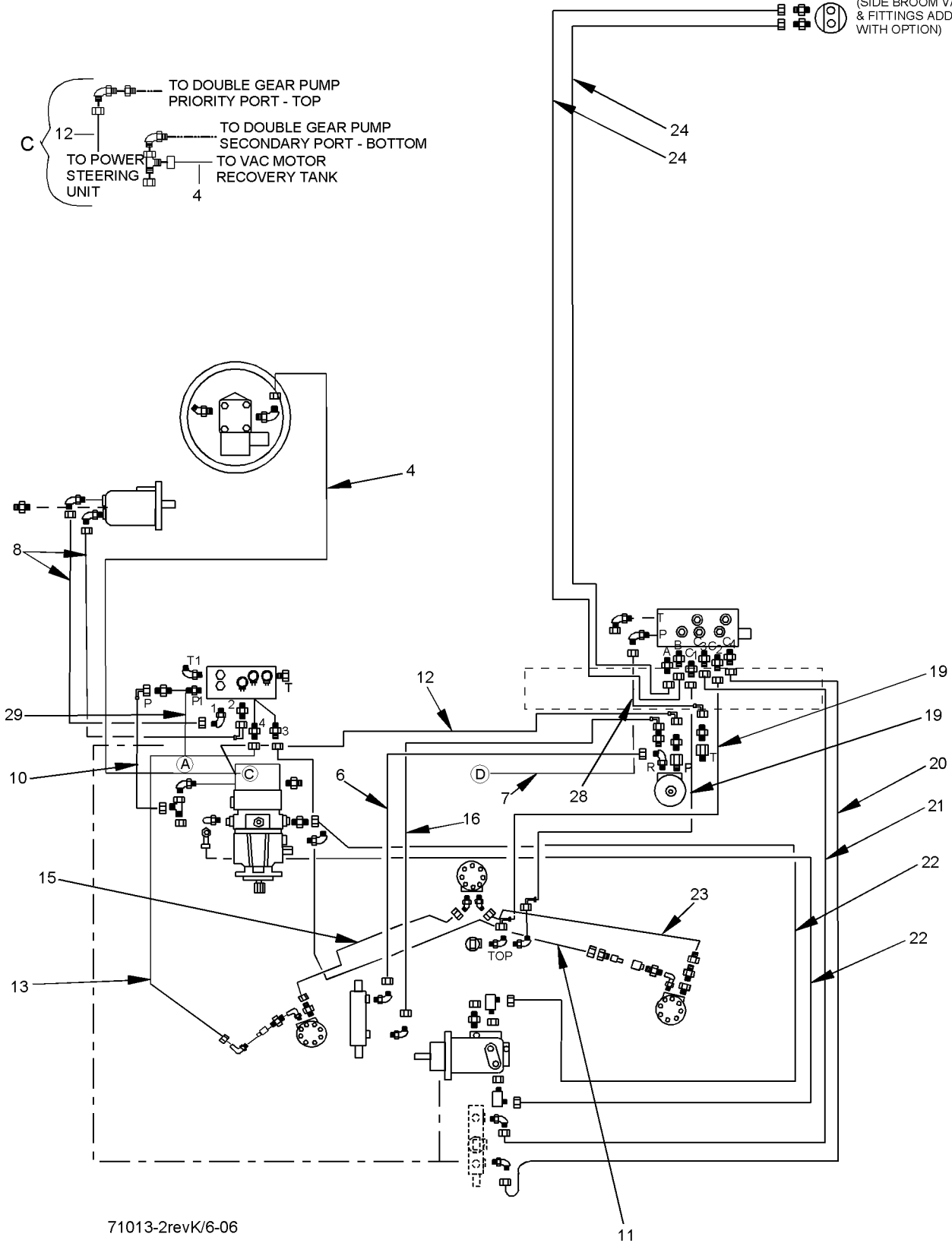
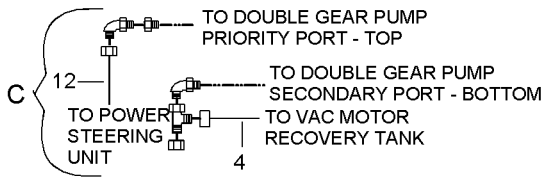
71011-3

HYDRAULIC HOSE SYSTEM (MANUAL DUMP)

60

7765, 7760

SIDE BROOM  
OPTIONAL  
(SIDE BROOM VALVE  
& FITTINGS ADDED  
WITH OPTION)



71013-2revK/6-06

FORM NO. 56042472

**HYDRAULIC HOSE SYSTEM (MANUAL DUMP)**

**7765, 7760**

**61**

Item	Ref. No.	Qty	Description
1	8-33-02192 (see page 62-63)	1	Hydraulic Hose ORS 8 Str. to JIC 8 Str. 80"
3+	7-33-02224 (see page 62-63)	1	Hydraulic Hose ORS 4-90° to Str. 155"
4+	8-33-02327	1	Hydraulic Hose ORS 8-Str.to 8 Str. 94"
4*	8-33-02195	1	Hydraulic Hose ORS 8-Str.to 8 Str. 69.5"
5	7-33-02186 (see page 62-63)	1	Hydraulic Hose ORS 4-Str. Ends 30"
6+	7-33-02225	1	Hydraulic Hose ORS 4-90° to Str. 38"
7+<	8-33-02200 (see page 62-63)	1	Hydraulic Hose ORS 4-90° to Str. 55"
8+	8-33-02214	2	Hydraulic Hose ORS 4-Str. to 4 Str. 29"
9	8-33-02184 (see page 62-63)	1	Hydraulic Hose ORS 4-Str. to 4 Str. 50.5"
10+	8-33-02202	1	Hydraulic Hose ORS 8-90° to 8 Str. 20"
11+	7-33-02546	1	Hydraulic Hose ORS 8-90° to 8 Str. 42.5"
12+	7-33-02334	1	Hydraulic Hose ORS 4-90° to 4 Str. 52.25"
13+	7-33-02403	1	Hydraulic Hose ORS 8-90° to 8 Str. 29"
14	7-33-02197	1	Hydraulic Hose ORS 8-45° to 8 Str. 52.50"
17	7-33-02331 (see page 62-63)	1	Hydraulic Hose ORS 16-Str. Ends 46"
18	7-33-02225 (see page 62-63)	1	Hydraulic Hose ORS 4-90° to Str. 38"
15	7-33-02327	1	Hydraulic Hose ORS 8-90° to 12 Str. 15.25"
16+	7-33-02191	1	Hydraulic Hose ORS 4-90° to Str. 42"
19+	7-33-02189	2	Hydraulic Hose ORS 4-90° to Str. 26"
20+	8-33-02218	1	Hydraulic Hose ORS 4-Str. 60"
21+	8-33-02189	1	Hydraulic Hose ORS 4-Str. 65"
22+	7-33-02223	2	Hydraulic Hose ORS 8-45° to Str. 87"
23	7-33-02326	1	Hydraulic Hose ORS 8-90° to 8 Str.17"
24+<	8-33-02216	2	Hydraulic Hose ORS 4-Str. 88"
25	7-33-02244 (see page 62-63)	1	1.0" Low Pressure 33"
28+	7-33-02190	1	Hydraulic Hose ORS 4-90° to Str. 67"
29	7-33-02187 (see page 62-63)	1	Hydraulic Hose ORS 8-Str. 42"
30+	7-33-02428 (see page 62-63)	1	Hydraulic Hose ORS 8-90° to Str. 57"
31+	7-33-02551 (see page 62-63)	1	Hydraulic Hose ORS 8-90° to Str. 35"

\* = Diesel Only

+ = Hoses are components of 0760-961 7765 common hydraulic hose kit.

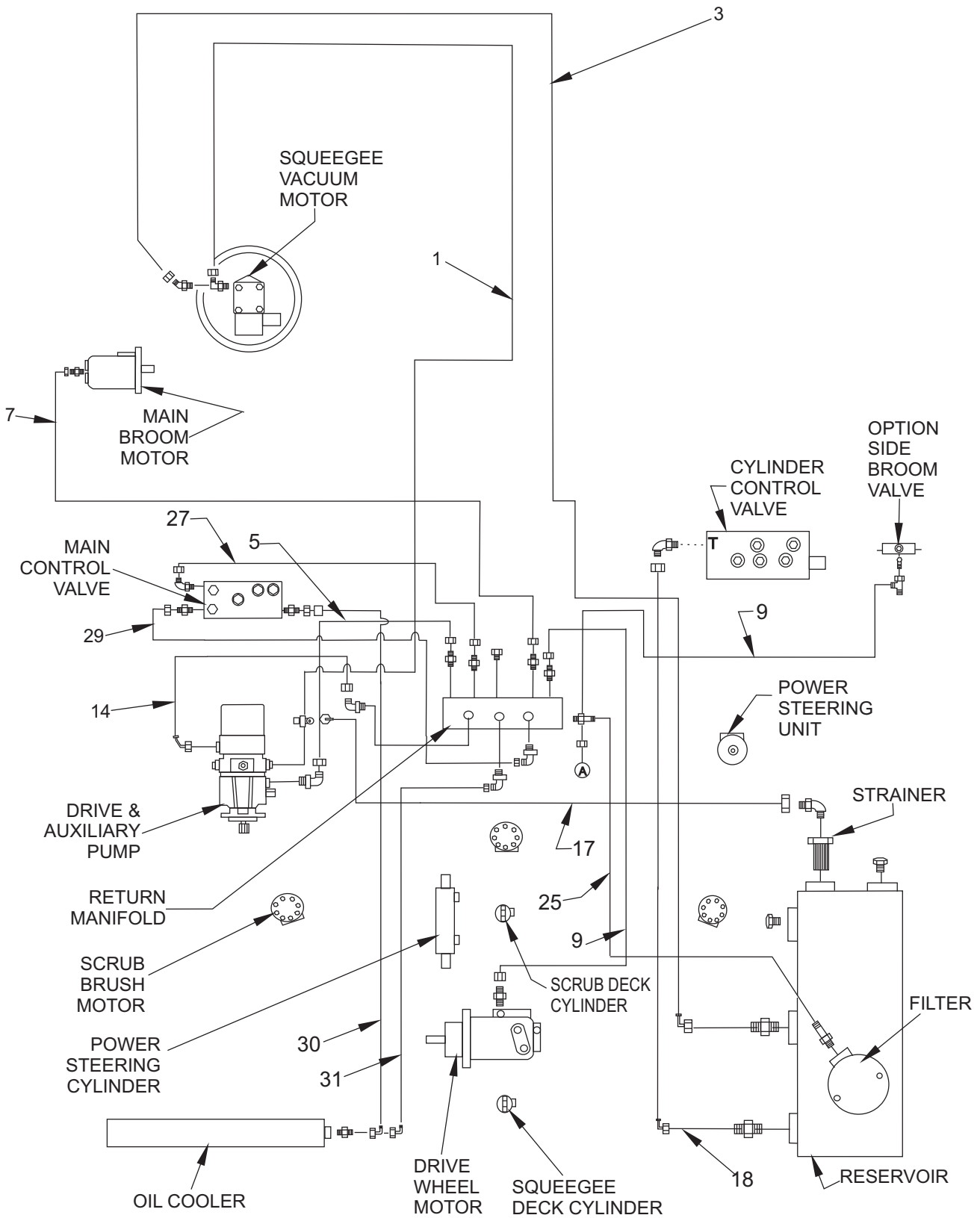
< = Hoses for Side Broom Option

71013-2

SUCTION & RETURN HOSES (MANUAL DUMP)

62

7765, 7760



71013-3/1-06

**SUCTION & RETURN HOSES (MANUAL DUMP)****7765, 7760****63**

Item	Ref. No.	Qty	Description
1	8-33-02192	1	Hydraulic Hose ORS 8 Str. to JIC 8 Str. 80"
3+	7-33-02224	1	Hydraulic Hose ORS 4-90° to Str. 155"
5	7-33-02186	1	Hydraulic Hose ORS 4-Str. Ends 30"
7+<	8-33-02200	1	Hydraulic Hose ORS 4-90° to Str. 55"
9	8-33-02184	1	Hydraulic Hose ORS 4-Str. to 4 Str. 50.5"
14	7-33-02197	1	Hydraulic Hose ORS 8-45° to 8 Str. 52.50"
17	7-33-02331	1	Hydraulic Hose ORS 16-Str. Ends 46"
18	7-33-02225	1	Hydraulic Hose ORS 4-90° to Str. 38"
25	7-33-02244	1	1.0" Low Pressure 33"
27	7-33-02180	1	Hydraulic Hose ORS 4-Str. to 4 Str. 37"
29	7-33-02187	1	Hydraulic Hose ORS 8-Str. 42"
30+	7-33-02428	1	Hydraulic Hose ORS 8-90° to Str. 57"
31	7-33-02551	1	Hydraulic Hose ORS 8-90° to Str. 35"

+ = Hoses are components of 0760-961 7765 common hydraulic hose kit.

< = Hoses for Side Broom Option

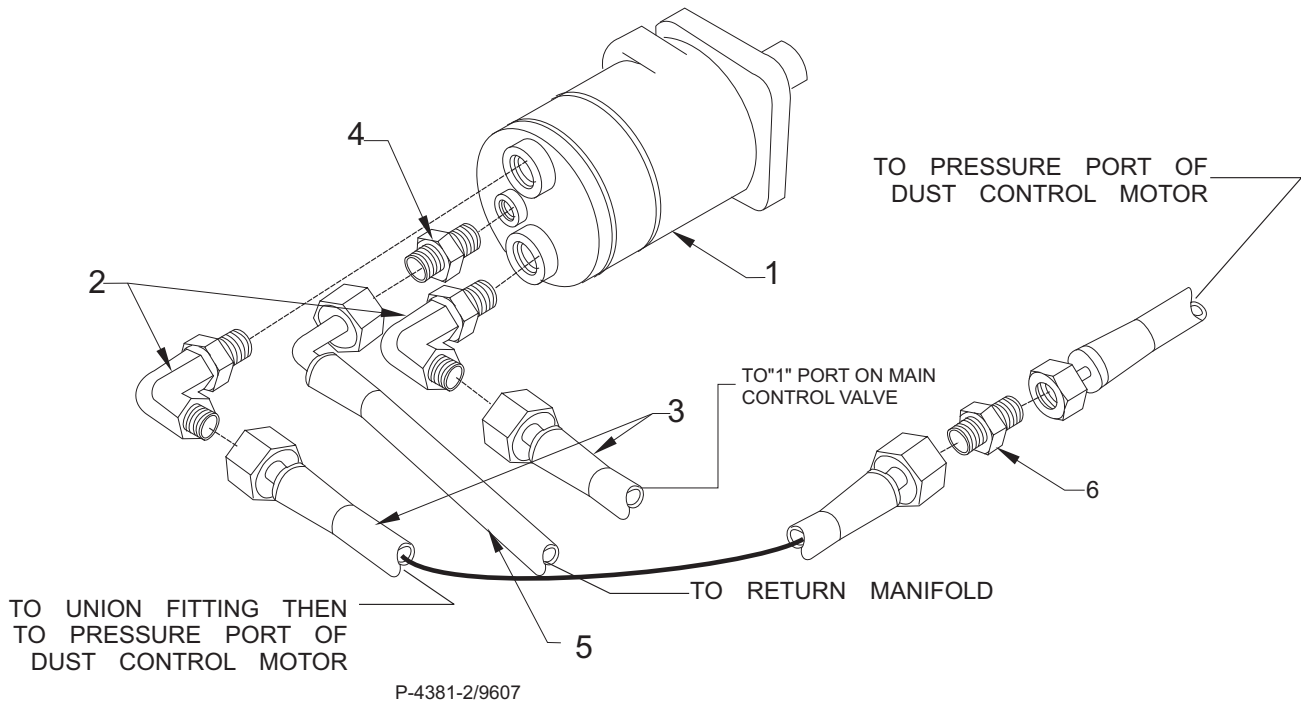
71013-3

**MAIN BROOM MOTOR & FITTINGS**

64

7765, 7760

08-3



Item	Ref. No.	Qty	Description
1	0882-040 2-00-03838 56479577#	1	Main Broom Motor Key (comes w/motor) Motor Seal Kit (Service Part)
2	2-00-04885	2	ORFS 90° Elbow, 3/4-16 to 13/16-16
3	8-33-02214	Ref.	Hose
4	2-00-04895	1	ORFS Connector, 7/16-20 to 9/16-18
5	8-33-02200	Ref.	Hose
6	2-00-04987	Ref.	ORFS Union, 13/16 - 16

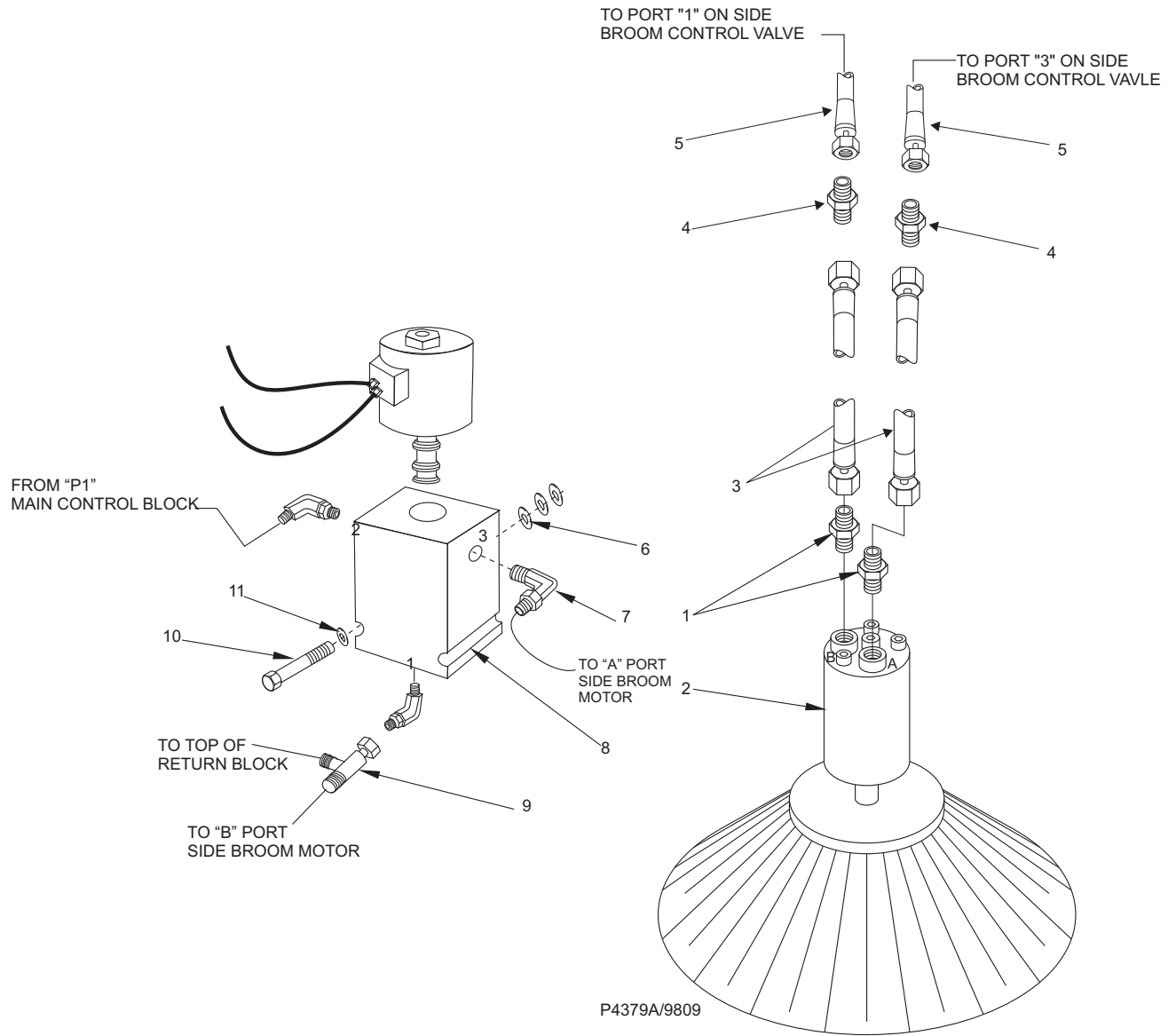
# = Revised or new since last update

**SIDE BROOM MOTOR & FITTINGS**

06-9

**7765, 7760**

**65**

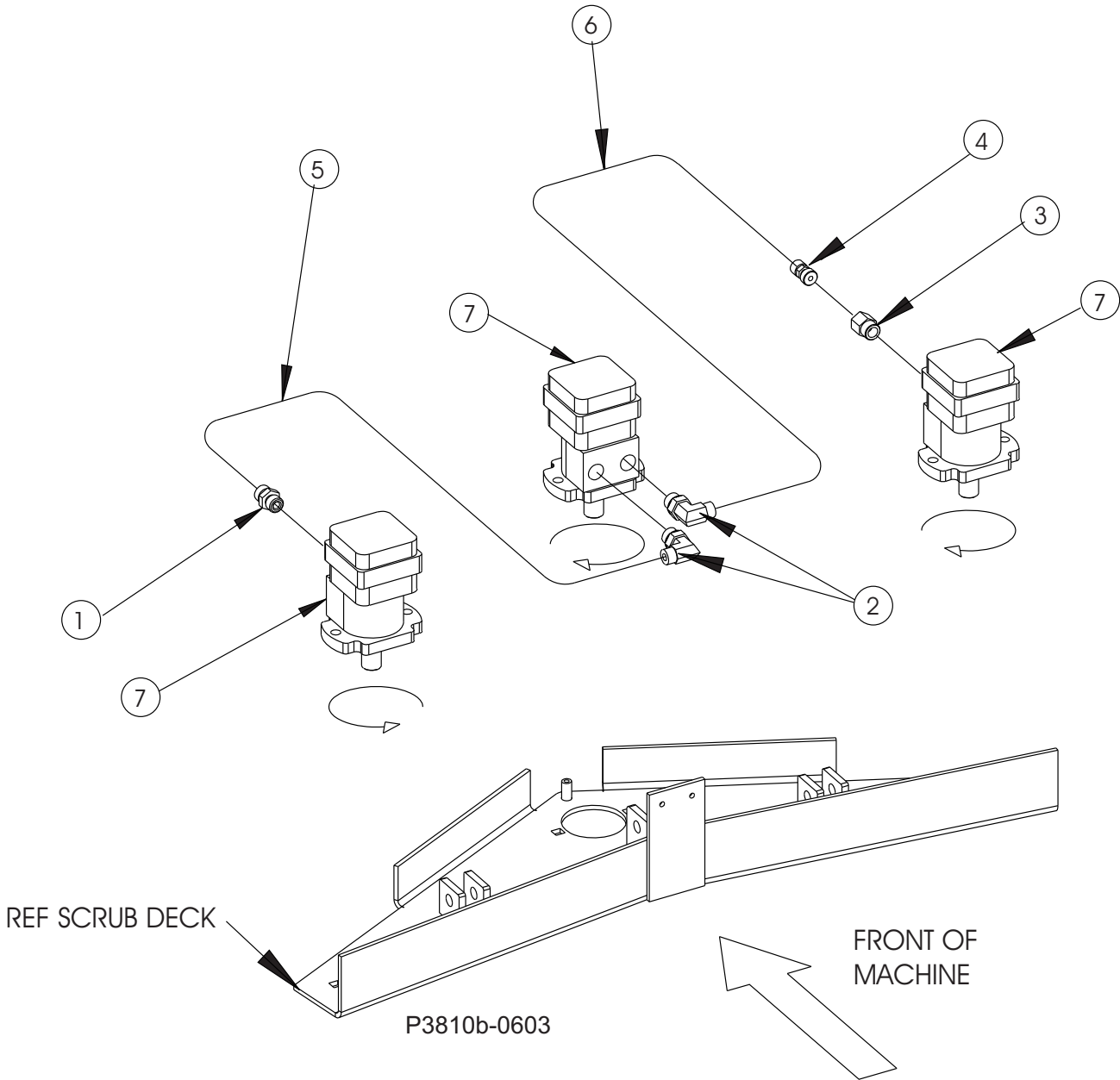


Item	Ref. No.	Qty	Description
1	2-00-04918	2	ORFS Connector, 9/16-18
2	0885-061	1	Hydraulic Motor
	0880-293	1	Seal Kit for 0885-061 (Up to Serial No. 750056)
	0780-144	1	Seal Kit for 0885-061 (Serial No. 750056 & Above)
3	7-33-02181	Ref.	Hose
4	2-00-05373	2	Fitting, Union 9/16 - 18 ORS
5	8-33-02277	Ref.	Hose
6	2-00-03702	6	Washer, Flat
7	2-00-04926	3	Fitting, 90°
8	7-88-00077	1	Valve, Housing - 3 way
9	2-00-05162	1	Fitting, Run tee
10	2-00-02589	2	Screw
11	2-00-00518	2	Lock Washer

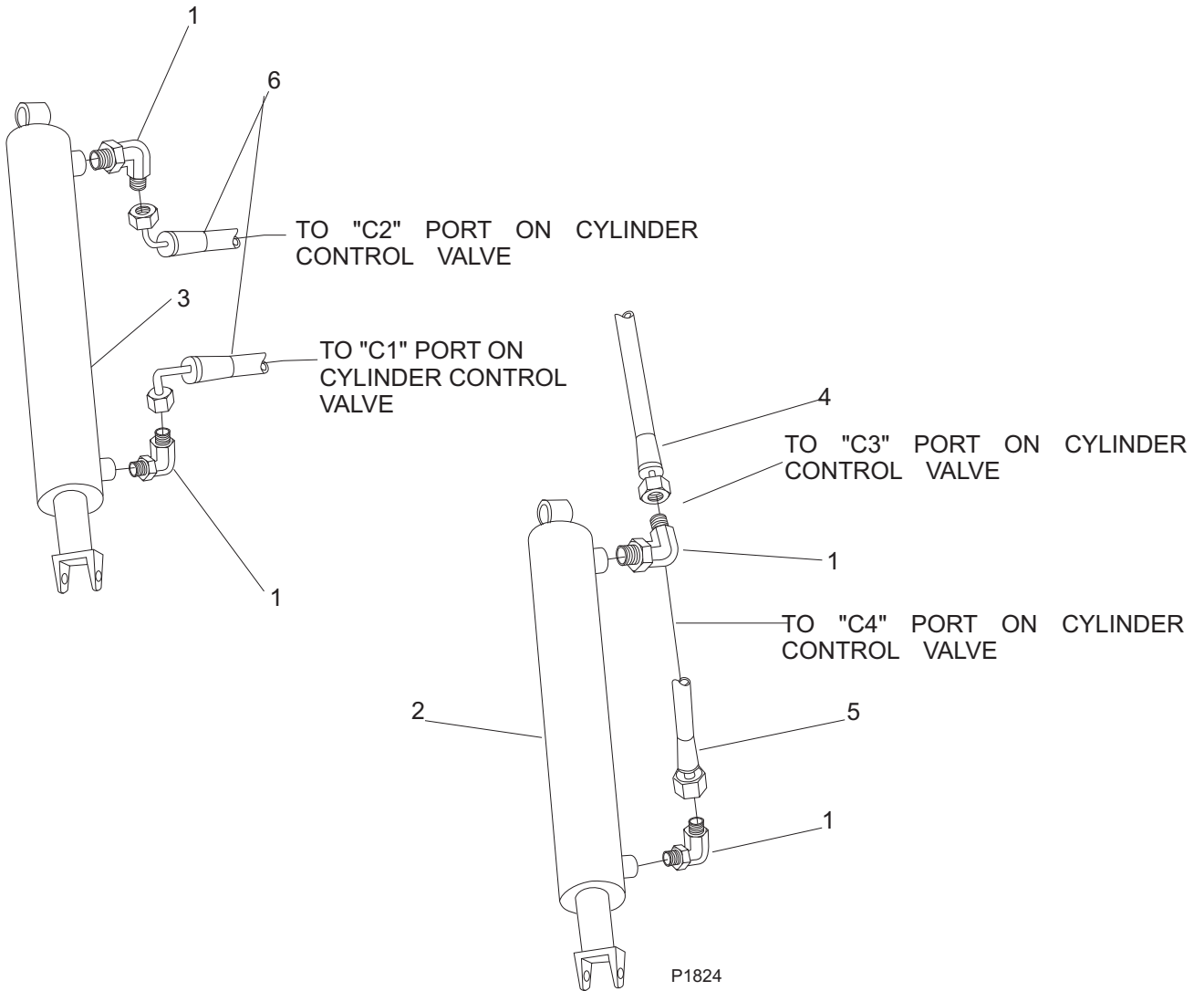
**SCRUB MOTORS & FITTINGS**

66

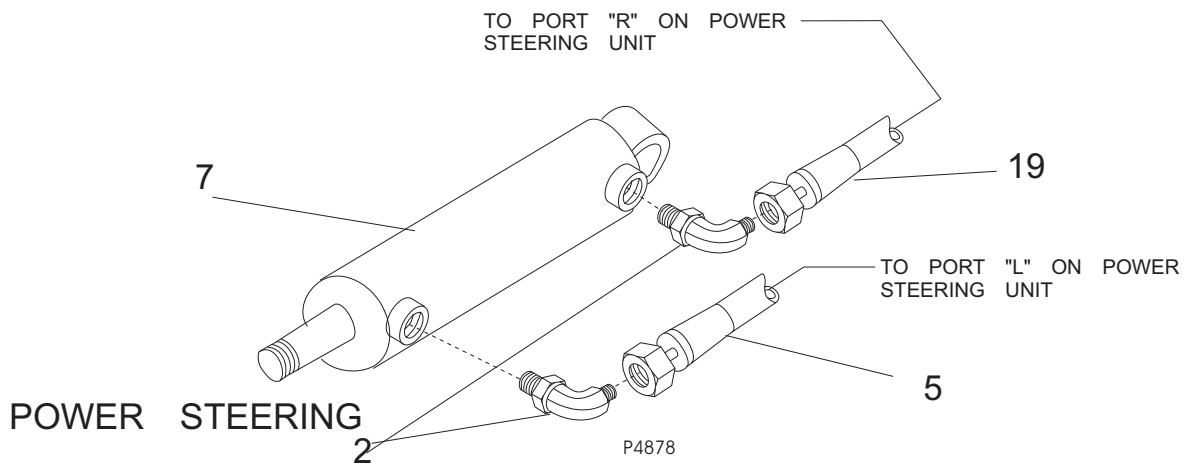
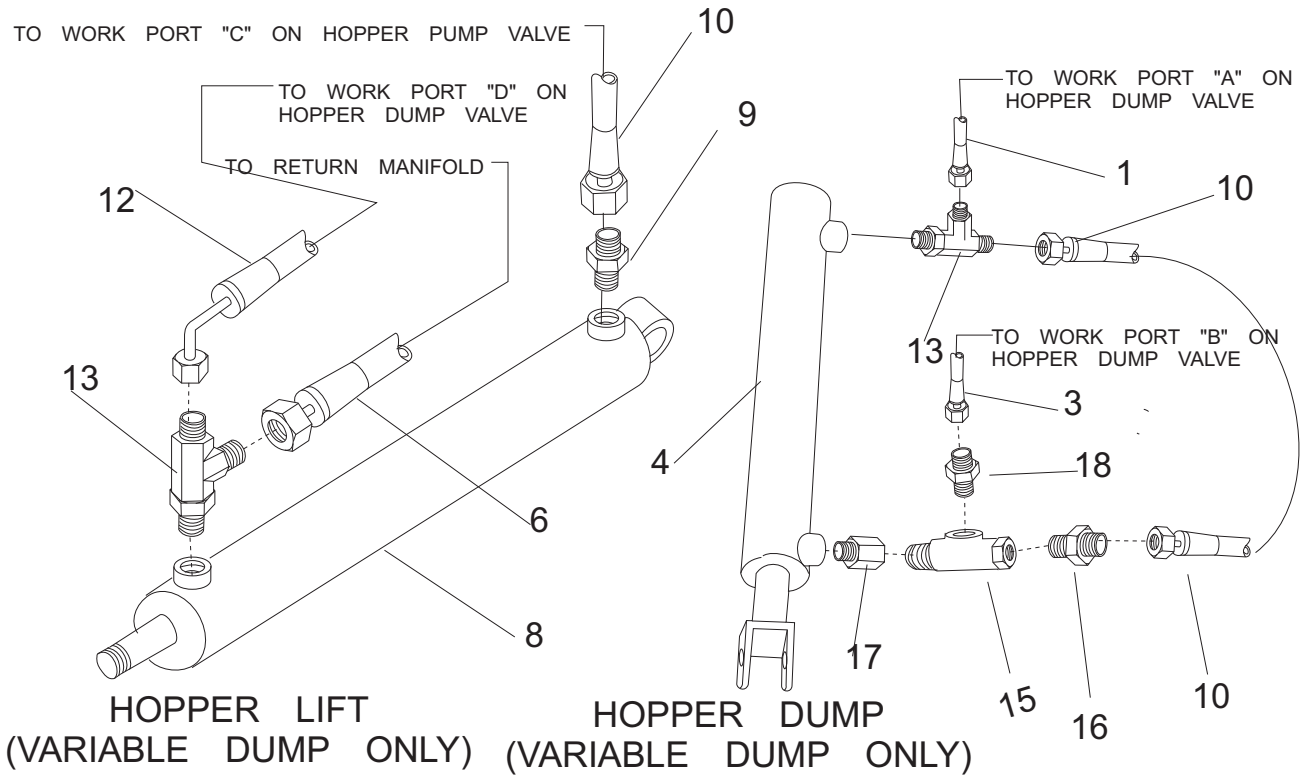
7765, 7760



Item	Ref. No.	Qty	Description
1	2-00-04974	1	Fitting - 10 SAE - 8 ORS
2	2-00-04921	4	Fitting - 10 SAE - 90° - 8 ORS
3	2-00-04990	1	Fitting - 10 SAE - 8 ORS
4	2-00-04970	1	Fitting - 8 SAE - 8 ORS
5	7-33-02326	1	Hose - 17" 90° End
6	7-33-02327	1	Hose - 15.25" 90° End
7	0782-111 0780-070	3	Scrub Motor Hyd. Seal Kit for Motor 0782-111



Item	Ref. No.	Qty	Description
1	2-00-04892	4	ORFS 90° Elbow, 7/16-20 to 9/16-18
2	7-17-05019	1	Hydraulic Cylinder (Squeegee)
3	7-17-05011	1	Hydraulic Cylinder (Scrub Deck)
4	8-33-02189	Ref.	Hose
5	8-33-02218	Ref.	Hose
6	7-33-02189	Ref.	Hose



**POWER STEERING, HOPPER DUMP, HOPPER LIFT CYLINDERS, & FITTINGS**

07-1

**7765, 7760**

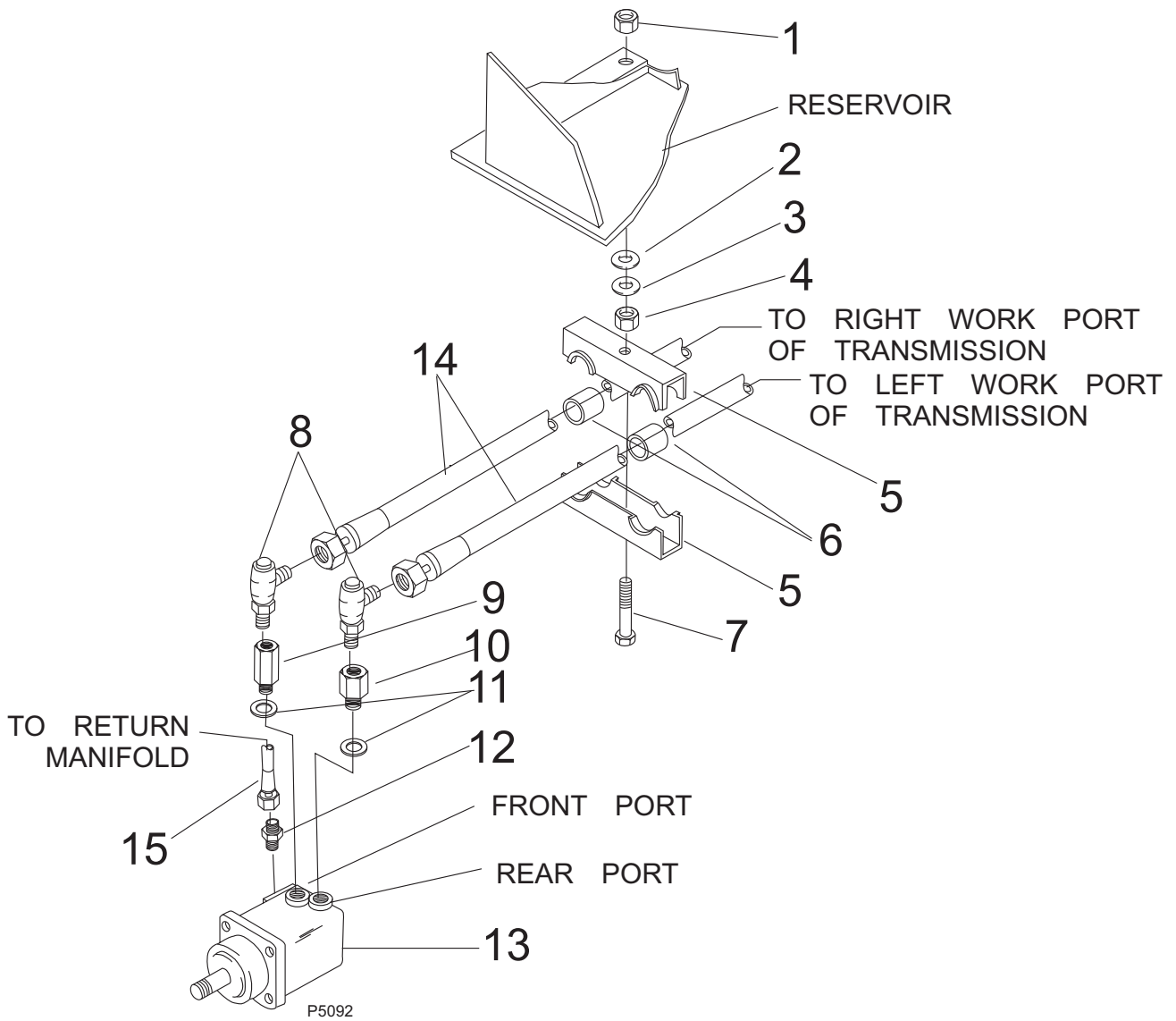
**69**

Item	Ref. No.	Qty	Description
1	7-33-02194	Ref.	Hose
2	2-00-04892	2	ORFS 90° Elbow, 7/16-20 to 9/16-18
3	7-33-02195	Ref.	Hose
4	7-17-05020	1	Dump Cylinder
5	7-33-02191	Ref.	Hose
6	8-33-02183	Ref.	Hose
7	7-17-05010	1	Steering Cylinder
NS	7-70-00021	2	Dump and Steering Cylinders Seal Kit
8	7-17-05013	1	Lift Cylinder
NS	0880-506	1	Lift Cylinder Seal Kit
9	2-00-04895	1	ORFS Connector, 7/16-20 to 9/16-18
10	8-33-02178	Ref.	Hose
11			
12	7-33-02225	Ref.	Hose
13	2-00-04927	2	Run Tee Fitting
14			
15	8-88-00045	1	Fitting, Check Valve
16	2-00-04997		Fitting Adapter, 9/16-18 ORFS - 1/4-18 NPT
17	2-00-04994	1	Adapter Fitting
18	2-00-05054	1	Adapter Fitting
19	7-33-02180	Ref.	Hose

REAR WHEEL MOTOR & FITTINGS

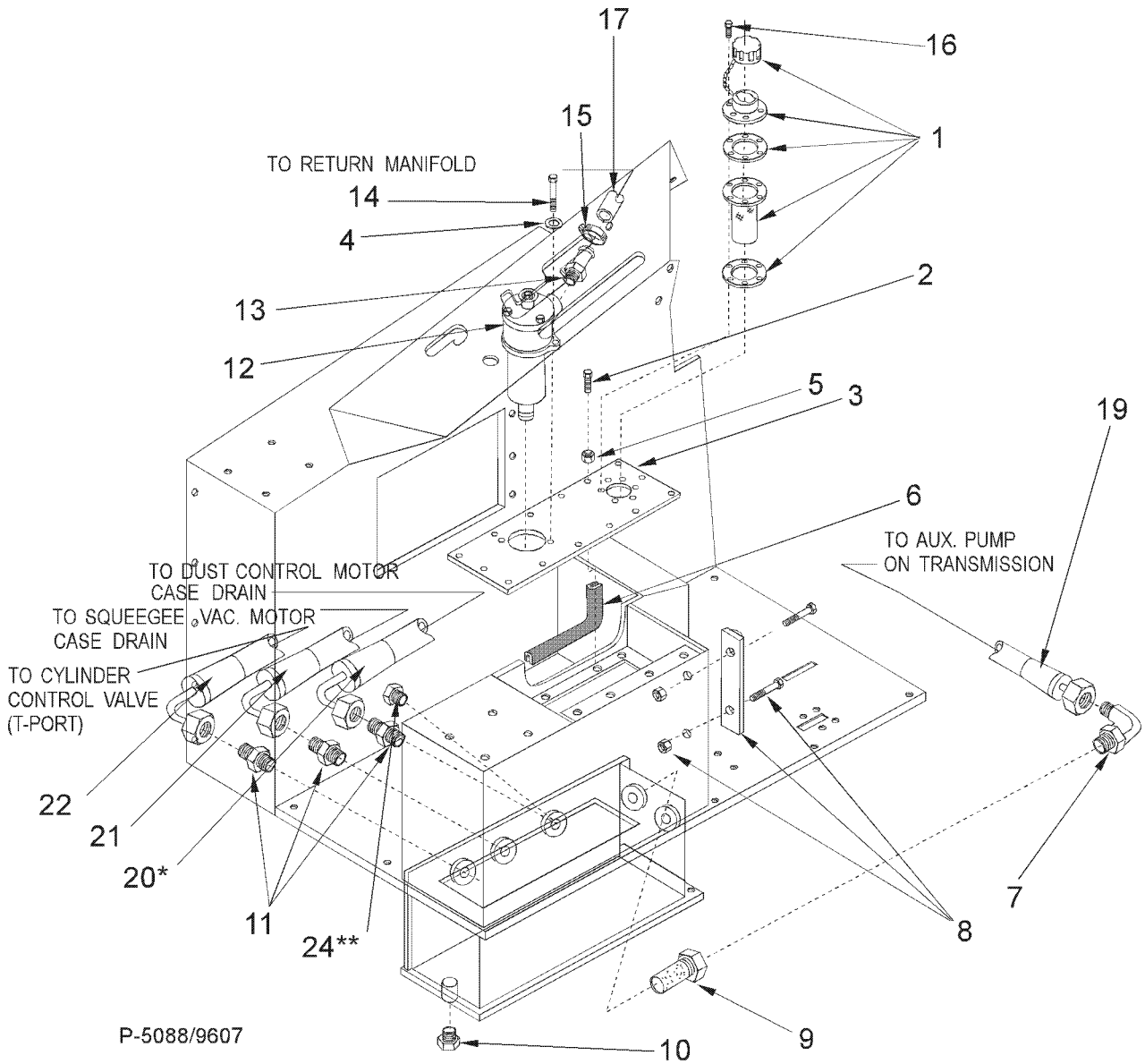
70

7765, 7760



**REAR WHEEL MOTOR & FITTINGS****7765, 7760****71**

Item	Ref. No.	Qty	Description
1	2-00-00644	1	Nut, Fiber Lock 5/16 - 18 THD's
2	7-23-03048	1	Spring Washer, .750 x .312 x .013
3*	2-00-00409	1	Flat Washer, For 5/16 Bolt (.687 x .343 x .062)
4	2-00-00586	1	Nut, Hex Jam 5/16-18 x .500 x .187
5	7-13-07110	1	Hose Clamping Unit
6*	7-09-01121	2	Split Hose Bushing
7	2-00-01770	1	Screw, 5/16-18 x 2.750 HHC
8	2-00-05358	2	Fitting
9	8-03-02035	1	Fitting
10	7-03-00054	1	Fitting
11	2-00-04620	2	Seal
12	2-00-04895	1	Fitting
13	0885-051-1	1	Rear Wheel Motor
	0880-238		Motor Seal
	0880-237		Shaft Seal for Eaton P/N 110-1085-004
	0880-586		Shaft Seal for Eaton P/N 110-1085-006
14	7-33-02223	2	Hose
15	8-33-02184	Ref.	Hose



**HYDRAULIC RESERVOIR, FILTER, & FITTINGS - EXPLODED VIEW**

08-3

**7765, 7760**

**73**

Item	Ref. No.	Qty	Description
1	8-11-00026	1	Reservoir Filter Cap
2	2-00-00049	14	Screw, #10-24 x .1/2 RHM
3	7-16-07282	1	Hydraulic Reservoir Cover
4	2-00-00530	2	Lock Washer, 5/16 Helical Spring
5	2-00-00519	14	Lock Washer, #10
6	7-21-03003	1	Edging
7	2-00-05354	2	Fitting, 3/4 NPT x 1 7/16-12
8	8-48-05034	1	Fluid Level Sight Gauge
9	8-24-04115	2	Strainer
10	2-00-02474	1	Pipe Plug, 1/2 NPT
11	2-00-04895	3	ORFS Connector, 7/16-20 to 9/16-18
12	7-24-04031	1	Return Filter Assembly
NS	7-24-04032	1	Return Filter Replacement Filter
13	2-00-05073	1	Straight Barbed Stem, 1-11 1/2 to 1.375 x 2.87
14	2-00-02708	2	Screw, 5/16-18 x 1.0 HHC
15	2-00-02220	1	Hose Clamp, .812-1.50
16	2-00-03940	6	Screw, #10-24 x 1/2 TC/HH
17	7-33-02244	1	Hose
18			
19	7-33-02331	1	Hose
20	7-33-02333	1	Hose
21	7-33-02224	1	Hose
22	7-33-02225	1	Hose
23#			
24**	2-00-05177	1	Plug, 7/16-20 O-Ring

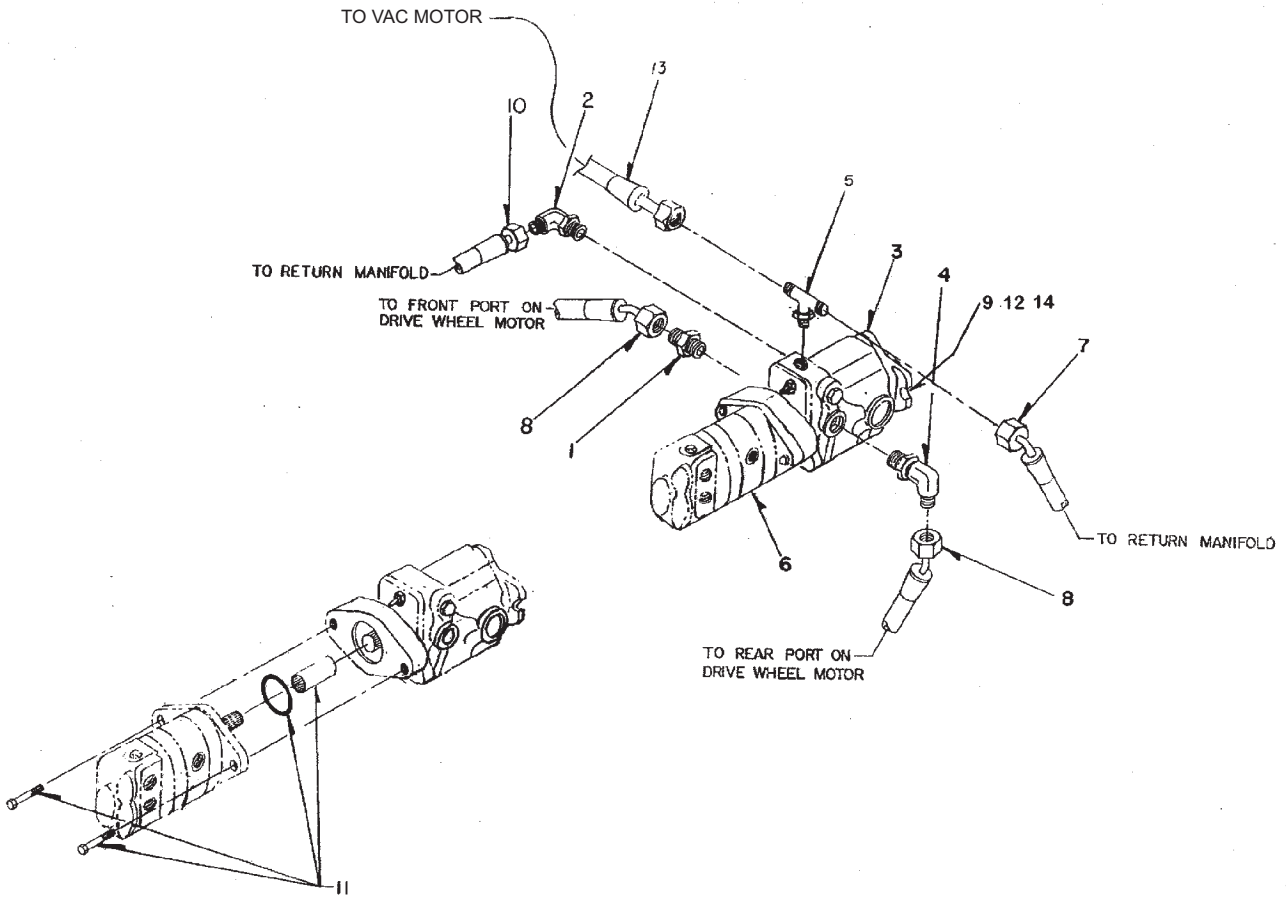
\*\* = Manual Dump Only

# = Revised or new since last update

**DRIVE PUMP & FITTINGS**

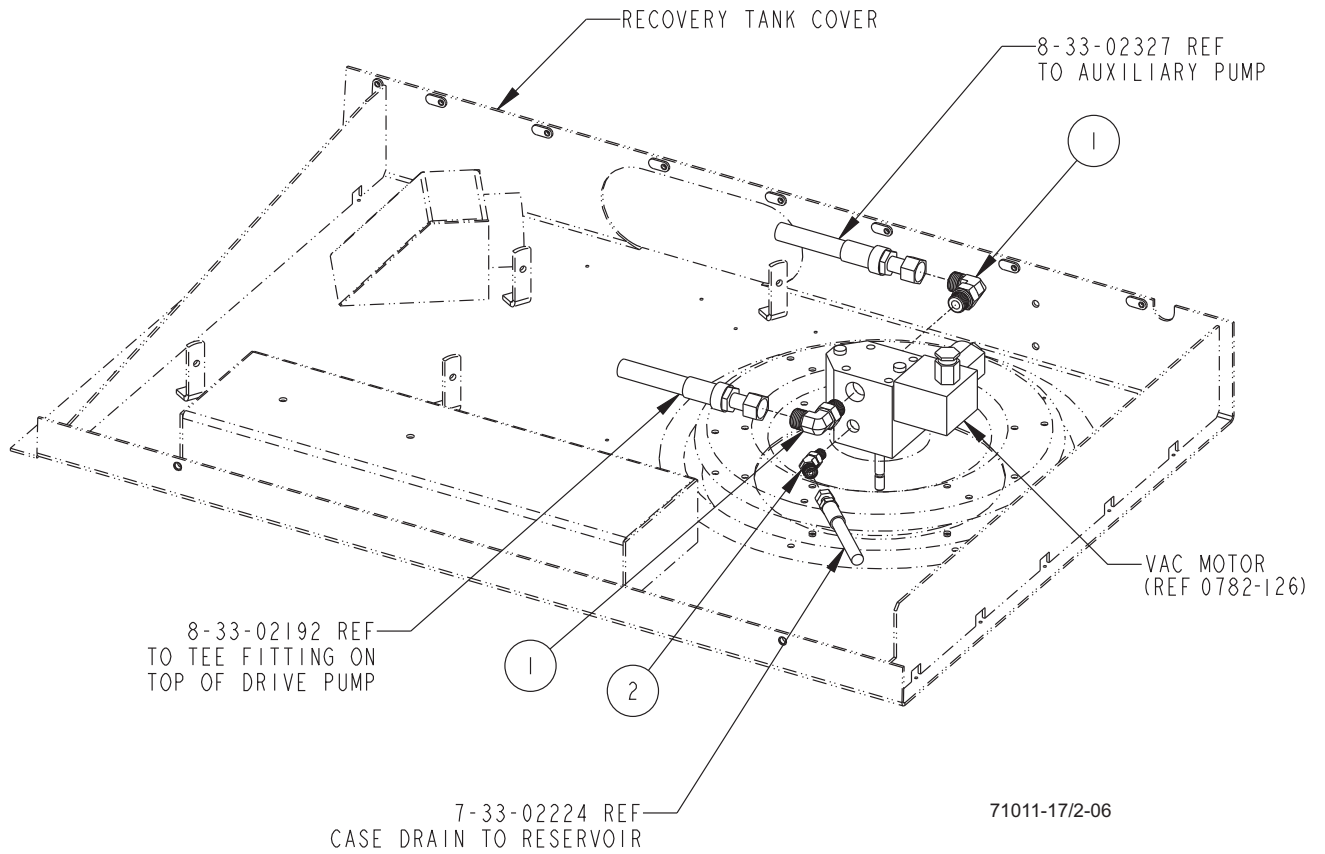
74

7765, 7760



Item	Ref. No.	Qty	Description
1	2-00-04979	1	ORFS Connector, 1 1/16-12 to 13/16-16
2	2-00-04926	1	ORFS 90° Elbow, 9/16-18
3	7-60-05026	1	Drive Pump
4	2-00-04922	1	ORFS 90° Elbow, 1 1/16-12 to 13/16-16
5	2-00-04978	1	Tee Fitting
6	7-60-05027	Ref.	Auxiliary Pump (Double Gear)
7	7-33-02197	Ref.	Hose
8	7-33-02223	Ref.	Hose
9	2-00-00209	2	Screw, .375-16 x 1.25 HHC
10	7-33-02186	Ref.	Hose
11	0880-685	1	Kit, Pump Assembly
12	2-00-02310	2	Lock Washer, Helical Spring
13	8-33-02192	1	Hose, ORS 8-STR, 74"
14	2-00-00402	2	Flat Washer, .750 x .391 x .093

71011-16



71011-17/2-06

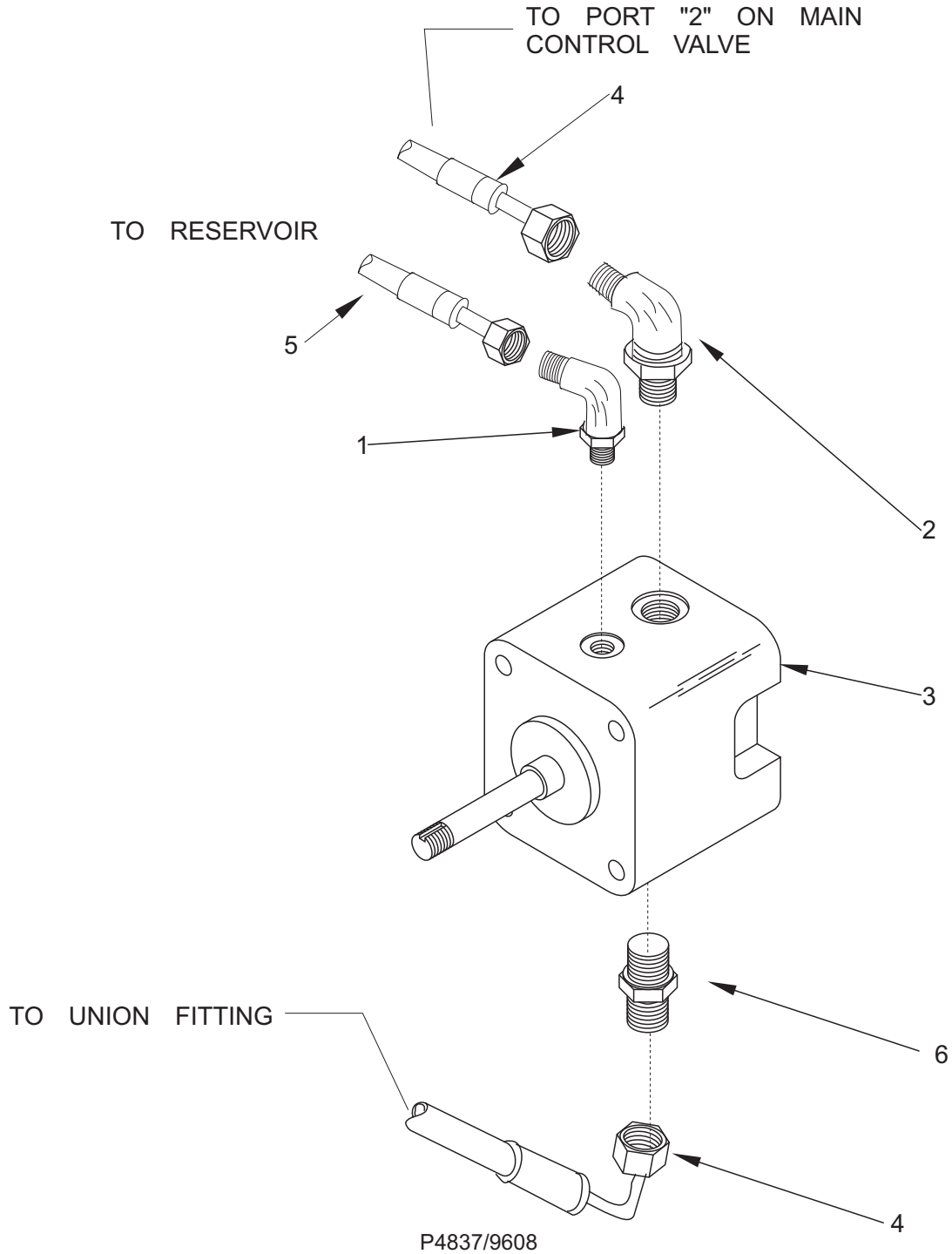
Item	Ref. No.	Qty	Description
1	2-00-04885	2	Fitting, 90° Elbow (O-Ring)
2	2-00-04976	1	Fitting, -4 ORB x -4 ORS, 45° Elbow

71011-17

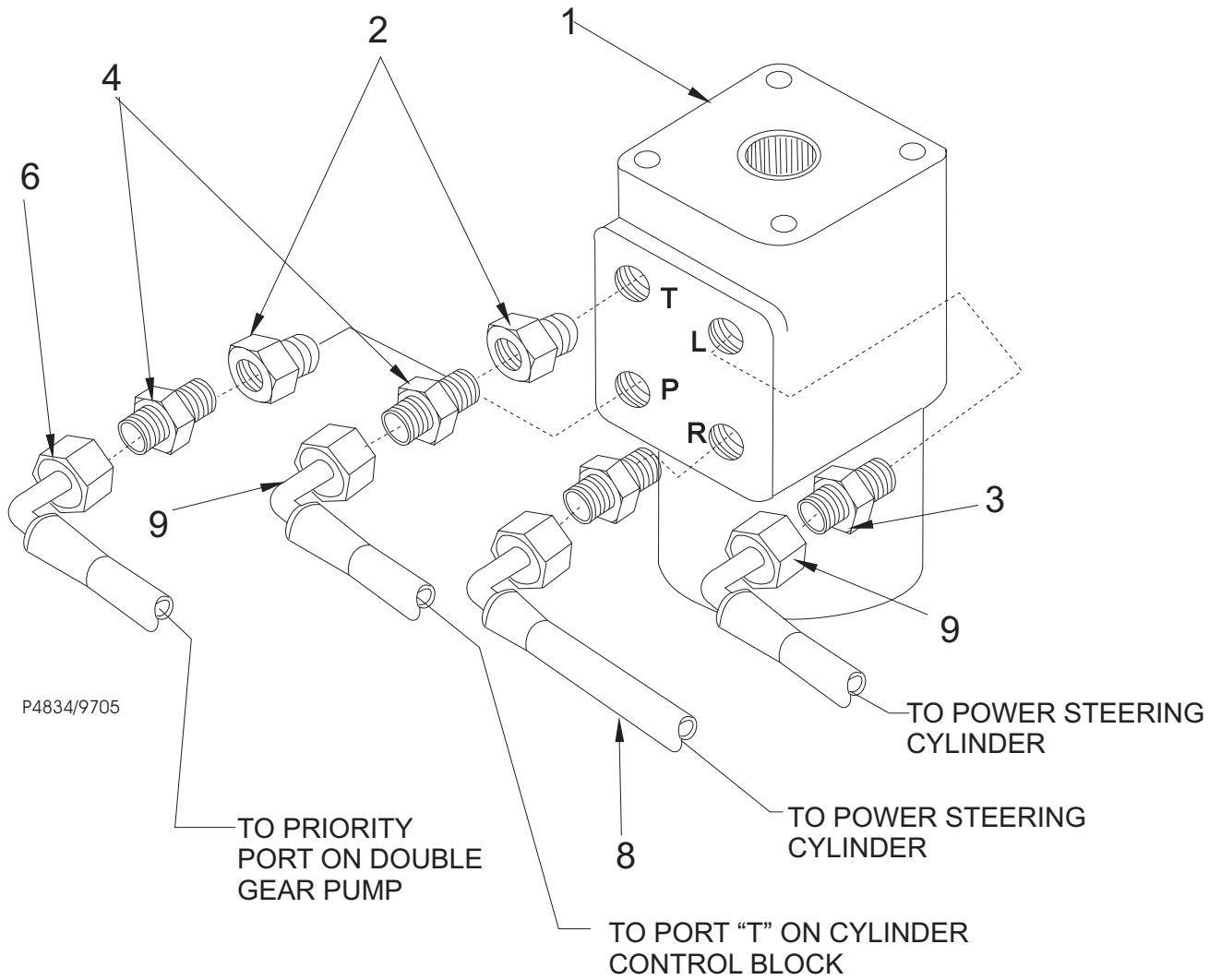
DUST CONTROL IMPELLER & FITTINGS

76

7765, 7760



Item	Ref. No.	Qty	Description
1	2-00-04892	1	Fitting, 90° #4 SAE x #4 ORS
2	2-00-04885	1	Fitting, 90° #8 SAE x #8 ORS
3	0882-041	1	Dust Control Motor
4	7-33-02332	Ref.	Hose
5	7-33-02333	Ref.	Hose
6	2-00-04970	1	Fitting, STRT #8 SAE x #8 ORS

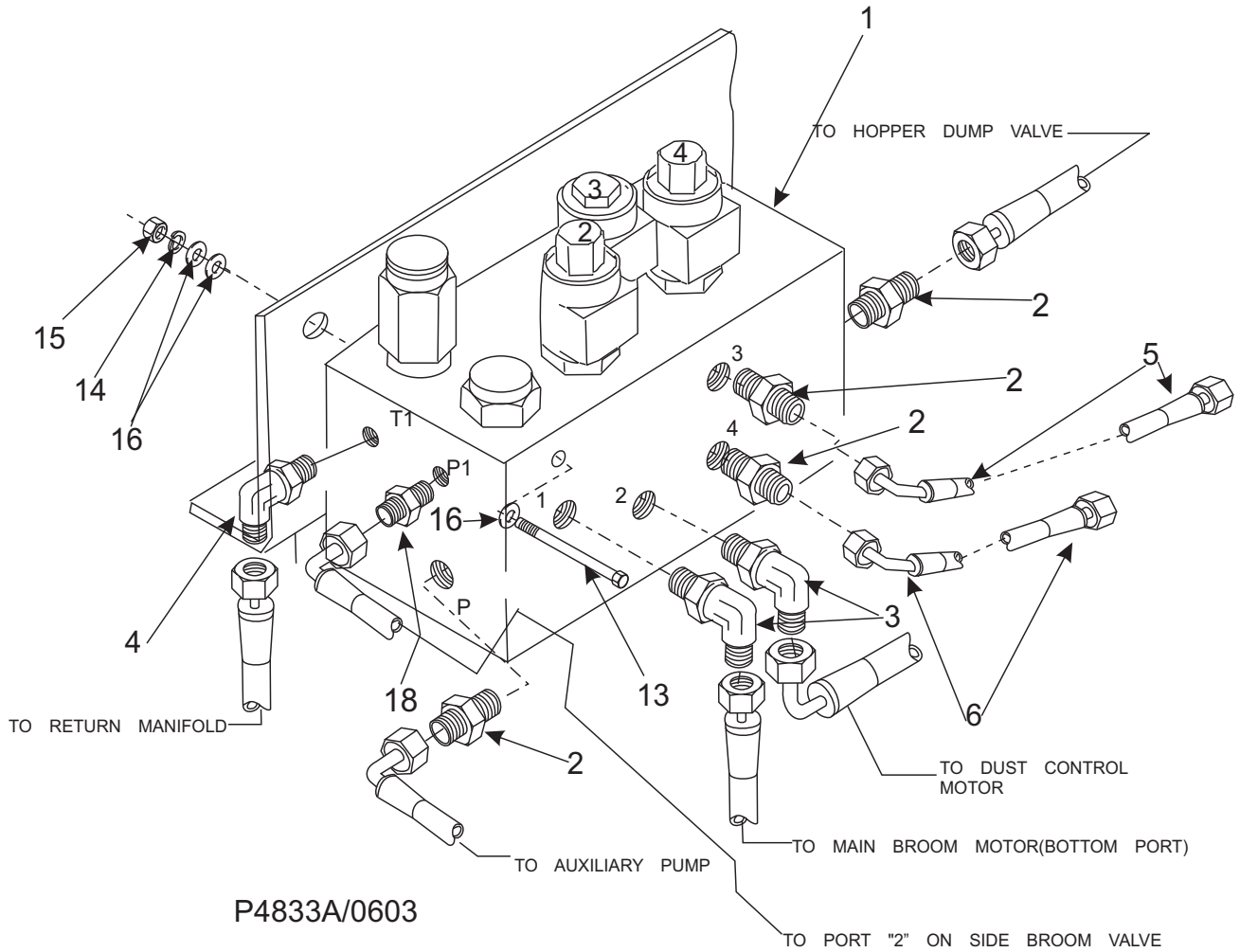


Item	Ref. No.	Qty	Description
1	7-60-05029	1	Power Steering Unit
2	2-00-04932	2	ORFS Boss Reducer, 3/4-16 to 9/16-18
3	2-00-05264	2	Fitting, Straight
4	2-00-04918	1	ORFS Connector, 9/16-18
6	7-33-02334	Ref.	Hose
8	7-33-00225	Ref.	Hose
9	7-33-02191	Ref.	Hose, 67"

MAIN CONTROL VALVE & FITTINGS

78

7765, 7760



**MAIN CONTROL VALVE & FITTINGS****7765, 7760****79**

Item	Ref. No.	Qty	Description
1	7-88-00071	1	Valve
2	2-00-04970	4	Fitting - Straight
3	2-00-04885	2	ORFS 90° Elbow, 3/4-16 to 13/16-16
4	2-00-04892	1	ORFS 90° Elbow, 7/16-20 to 9/16-18 (Gas Only)
5**	8-33-02326	Ref.	Hose
5#	7-33-02325	Ref.	Hose
6	7-33-02205	Ref.	Hose
9**	2-00-04978	1	Fitting - 90 °
11**	2-00-04895	1	Fitting - Straight
13	2-00-04986	2	Screw, 1/4 - 20 x 4.500 HHC
14	2-00-00518	2	Lock Washer, 1/4 Split
15	2-00-00594	2	Nut, Hex 1/4 - 20 x .437 x .218
16	2-00-03702	6	Flat Washer For 1/4 Bolt
18**	2-00-04895	1	Fitting - Straight
18#	2-00-04885	1	ORFS 90° Elbow, 3/4-16 to 13/16-16

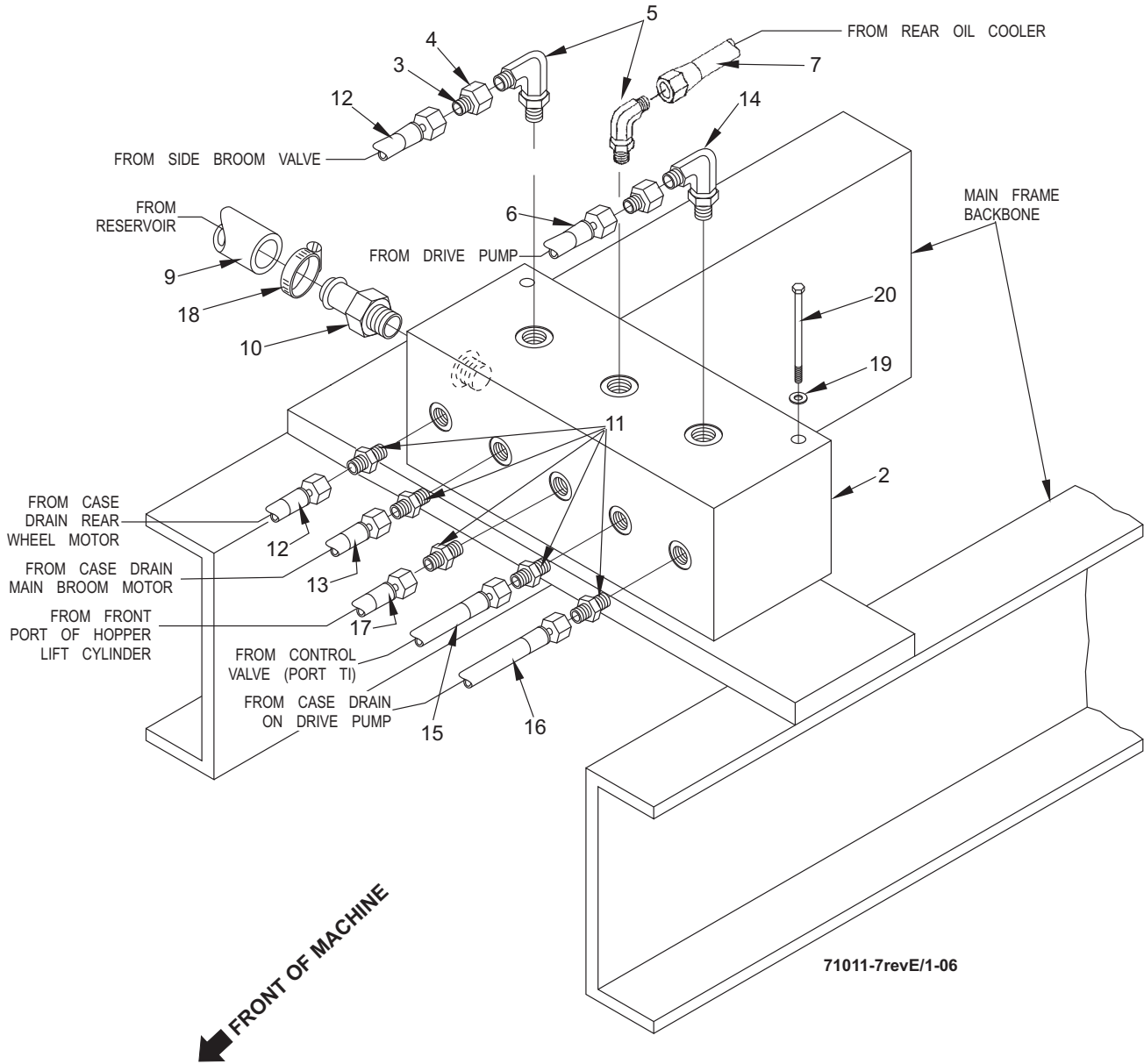
\*\* = Diesel Only

# = Gas Only

RETURN MANIFOLD & FITTINGS (VARIABLE DUMP)

80

7765, 7760



**RETURN MANIFOLD & FITTINGS (VARIABLE DUMP)****7765, 7760****81**

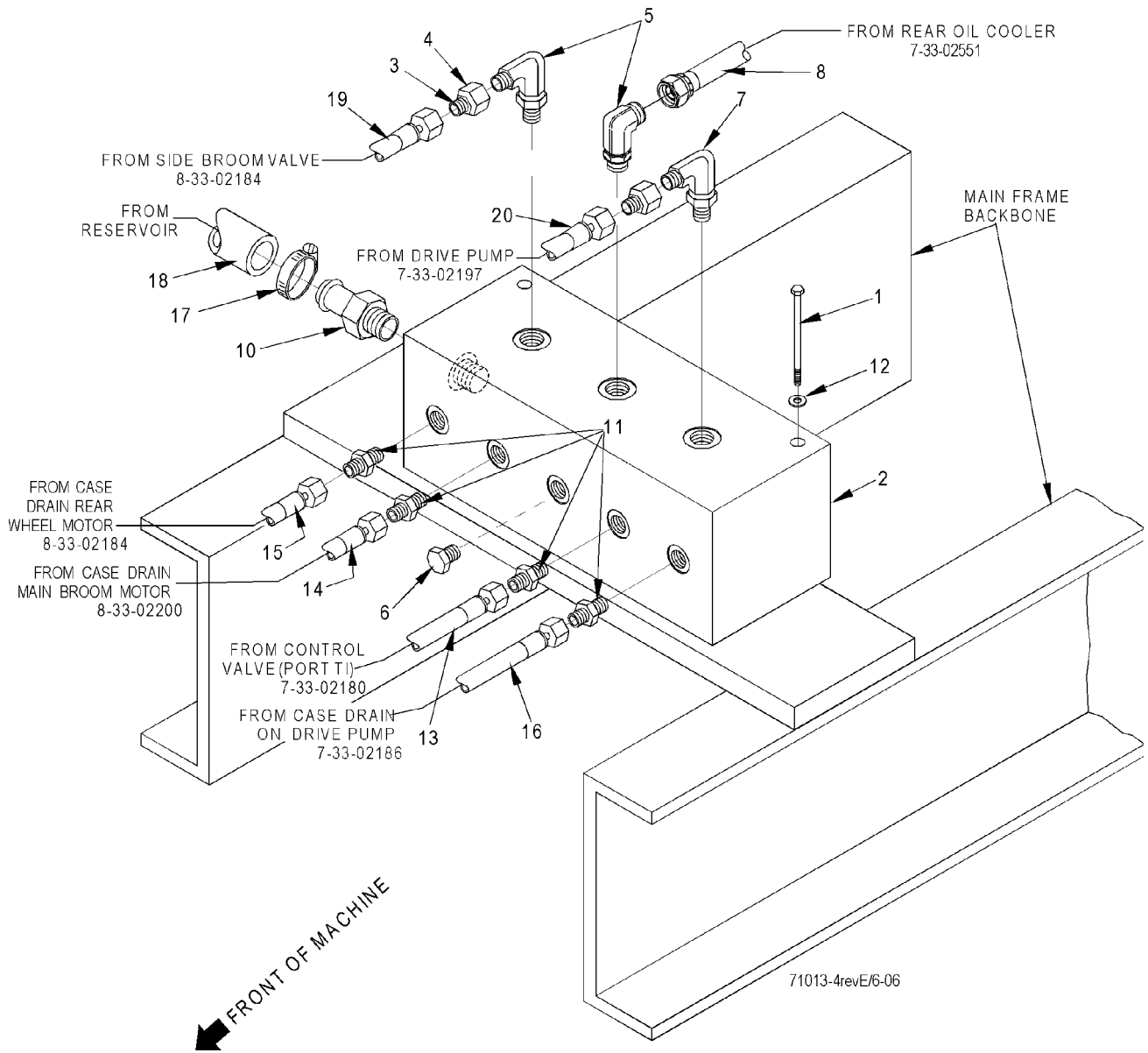
Item	Ref. No.	Qty	Description
1	2-00-02638	2	Screw, 1/4-20 x 3.0 HHC
2	7-48-00019	1	Return Manifold
3	2-00-04929	1	Reducer (O-Ring Face), ORS 8 to 4
4	2-00-04939	1	Nut for Reducer
5	2-00-04885	2	ORFS 90° Elbow, 3/4-16 to 13/16-16
6	7-33-02197	1	Hose
7	7-33-02551	1	Hose
8	7-33-02191	1	Hose
9	7-33-02244	1	Hose
10	2-00-05073	1	Fitting, Straight Barbed Stem, 1-11 1/2 x .50 x 2.57
11	2-00-04895	5	Fitting, ORFS Connector, 7/16-20 to 9/16-18
12	8-33-02184	1	Hose
13	8-33-02200	1	Hose
14	2-00-05479	1	Fitting, Reducer
15	7-33-02180	1	Hose
16	7-33-02186	1	Hose
17	8-33-02183	1	Hose
18	2-00-02220	1	Clamp, 13/16 to 1.50 Hose
19	2-00-00407	2	Flat Washer, .56 x .26 x .063
20	2-00-00518	2	Lock Washer, 1/4

71011-7

RETURN MANIFOLD & FITTINGS (MANUAL DUMP)

82

7765, 7760



**RETURN MANIFOLD & FITTINGS (MANUAL DUMP)****7765, 7760****83**

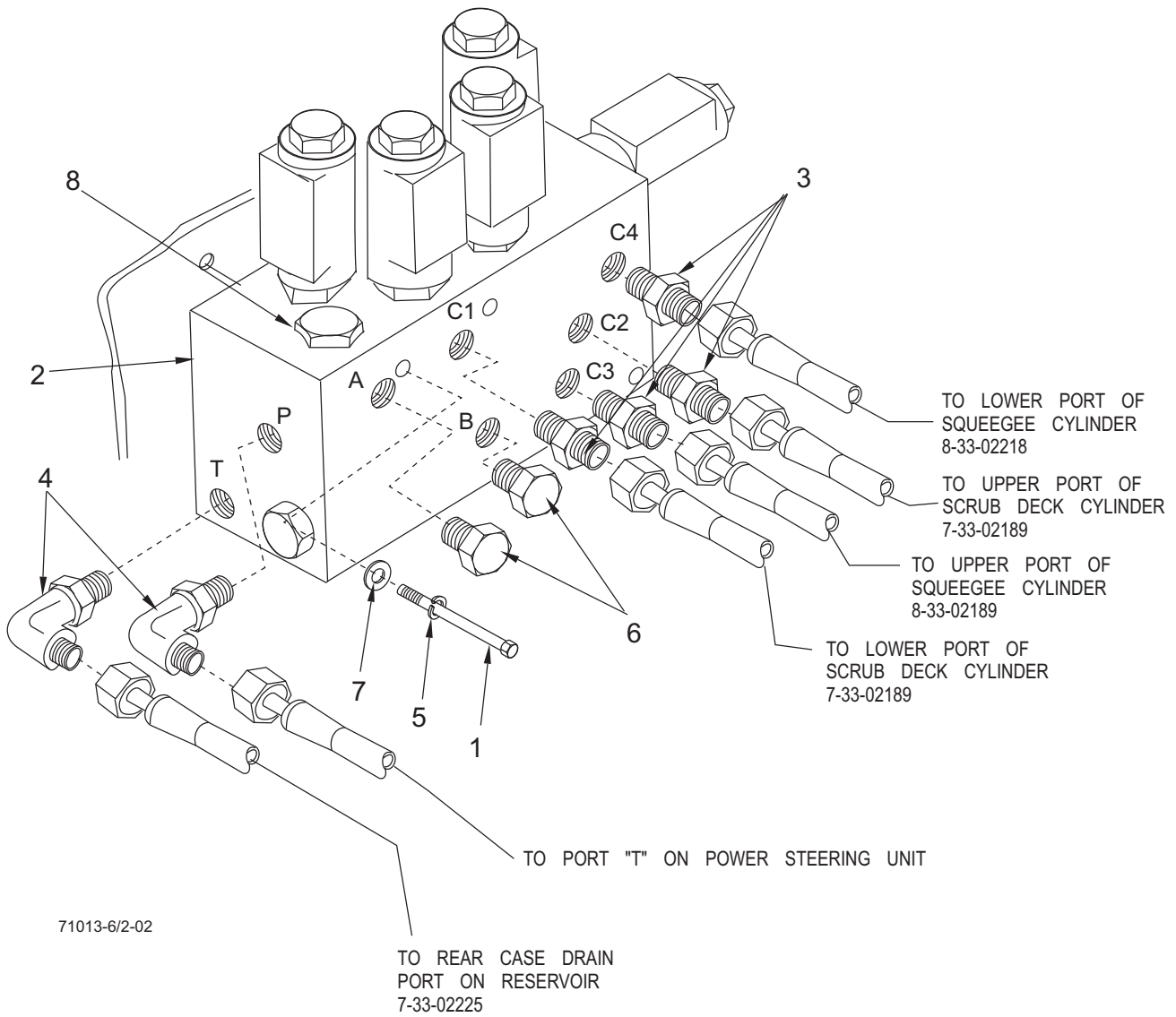
<b>Item</b>	<b>Ref. No.</b>	<b>Qty</b>	<b>Description</b>
1	2-00-02638	2	Screw, 1/4-20 x 3.0 HHC
2	7-48-00019	1	Return Manifold
3	2-00-04929	1	Reducer (O-Ring Face), ORS 8 to 4
4	2-00-04939	1	Nut for Reducer
5	2-00-04885	2	ORFS 90° Elbow, 3/4-16 to 13/16-16
6	2-00-05171	1	Plug, 7/16-20 O-Ring
7	2-00-05479	1	Fitting, Reducer
8	7-33-02551	1	Hose
9	2-00-00407	2	Flat Washer, .56 x .26 x .063
10	2-00-05073	1	Fitting, Straight Barbed Stem, 1-11 1/2 x .50 x 2.57
11	2-00-04895	4	Fitting, ORFS Connector, 7/16-20 to 9/16-18
12	2-00-00518	2	Lock Washer, 1/4
13	7-33-02180	1	Hose
14	8-33-02200	1	Hose
15	8-33-02184	2	Hose
16	7-33-02186	1	Hose
17	2-00-02220	1	Clamp, 13/16 to 1.50 Hose
18	7-33-02244	1	Hose
19	7-33-02197	1	Hose

71013-4

CYLINDER CONTROL VALVE & FITTINGS

84

7765, 7760

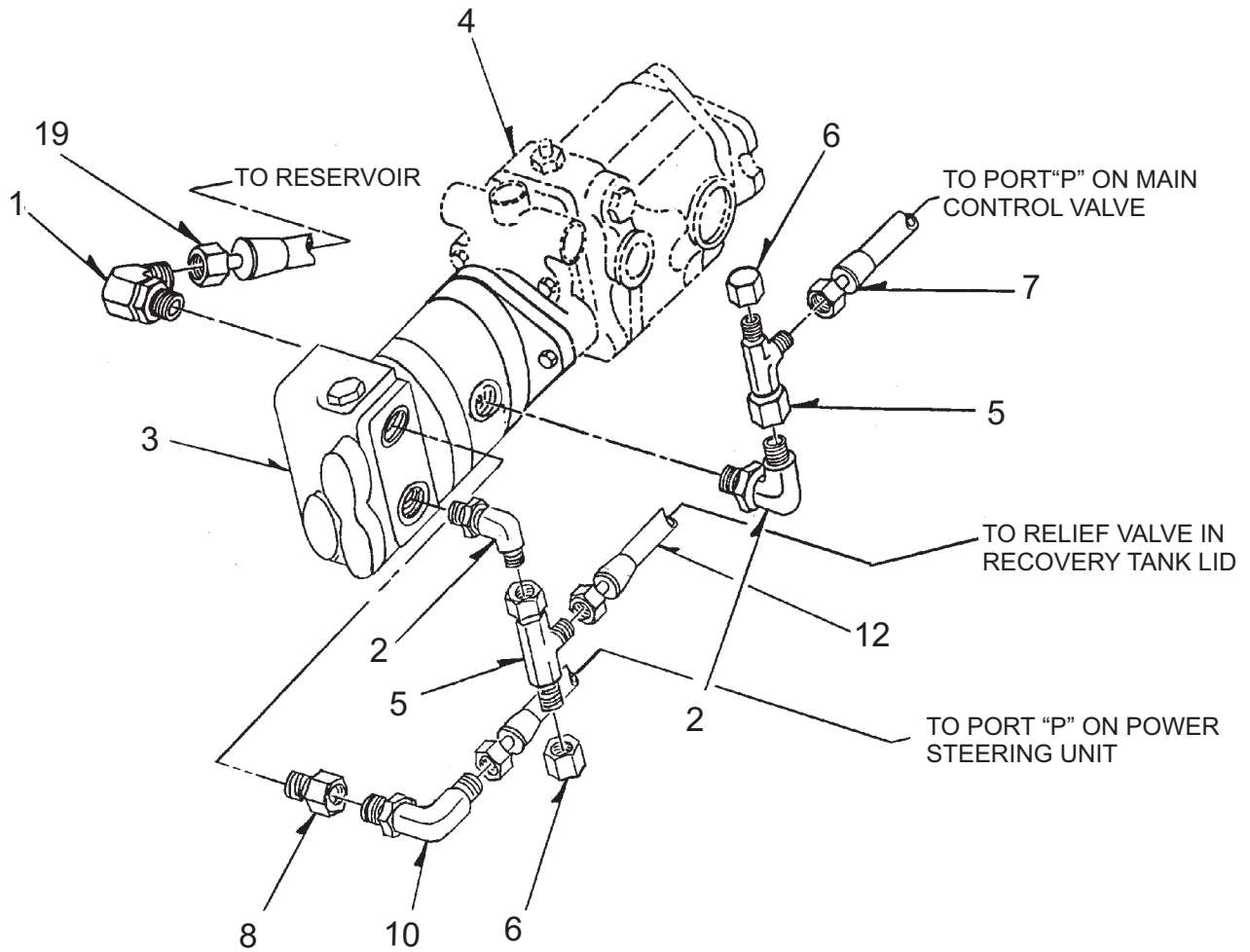


71013-6/2-02

**CYLINDER CONTROL VALVE & FITTINGS****7765, 7760****85**

<b>Item</b>	<b>Ref. No.</b>	<b>Qty</b>	<b>Description</b>
1	2-00-04596	2	Screw, 1/4-20 x 3.50 HHC
2	7-88-00069	1	Valve
3	2-00-04895	6	Straight Fitting
4	2-00-04892	2	ORFS 90° Elbow, 7/16-20 to 9/16-18
5	2-00-00518	2	Lock Washer, 1/4 Split
6	2-00-05177	2	Plug
7	2-00-00409	2	Flat Washer, 1/4
8	7-12-02032	1	Cavity Plug





Item	Ref. No.	Qty	Description
1	2-00-05353	1	Fitting, 90° Elbow
2	2-00-04921	2	Fitting, 90° Elbow
3	7-60-05027	1	Auxiliary Pump
4	7-60-05026	Ref.	Drive Pump
5	2-00-04928	1	ORFS Run Tee, 13/16 - 16
6	2-00-04957	1	ORFS Cap, #8 ORS
7	8-33-02202	Ref.	Hose
8	2-00-04932	1	Fitting, Reducer
9	7-33-02331	Ref.	Hose, 16ORS 46"
10	2-00-04926	1	Fitting, 90° Elbow
11	7-33-02334	Ref.	Hose, 52.25"
12	8-33-02195	Ref.	Hose, 69.5"



**BATTERY****7765, 7760****89**

<b>Item</b>	<b>Ref. No.</b>	<b>Qty</b>	<b>Description</b>
1	7-90-07514	1	Cable, Battery (+) (to Starter) (Gas/LP)
2	0875-008	1	Battery (Gas & LP)
	0875-057	1	Battery (Diesel)
3	8-21-04016	2	Edging
4	2-00-03569	6	Carriage Bolt, 5/16-18 x 3/4
5	7-19-08059	1	Door, Battery Access
6	7-23-03113	1	Fastener, Quarter-Turn
7	7-23-03106	2	Retainer Washer, .265 x .625 x .025
8	2-00-03575	1	Carriage Bolt, 1/4-20 x .75
9	7-13-07109	1	Clamp, Battery
10	2-00-03702	1	Flat Washer, .625 x .281 x .062
11	2-00-00518	1	Lock Washer, 1/4 Helical Spring
12	2-00-00594	1	Nut, Hex 1/4-20 x .437 x .218
13	7-23-03108	1	U-Clip
14	7-23-00023	1	Hinge
15	2-00-00409	6	Flat Washer, .687 x .343 x .062
16	2-00-00530	6	Lock Washer, Helical Spring 5/16 Med.
17	2-00-00585	6	Nut, Hex 5/16-18 x .500 x .265
18	7-90-07280	1	Cable, Battery (+) (to Starter) (Diesel)
19	7-90-07515	1	Cable, Battery (-) (to Ground) (Gas/LP)
20	2-00-05253	1	Clamp, 1/2" Battery Cable
21	2-00-05171	1	Boot, Protective (Red)
22	2-00-05173	1	Boot, Protective (Black)
23	7-90-07262	1	Cable, Battery (-) (to Ground) (Diesel)

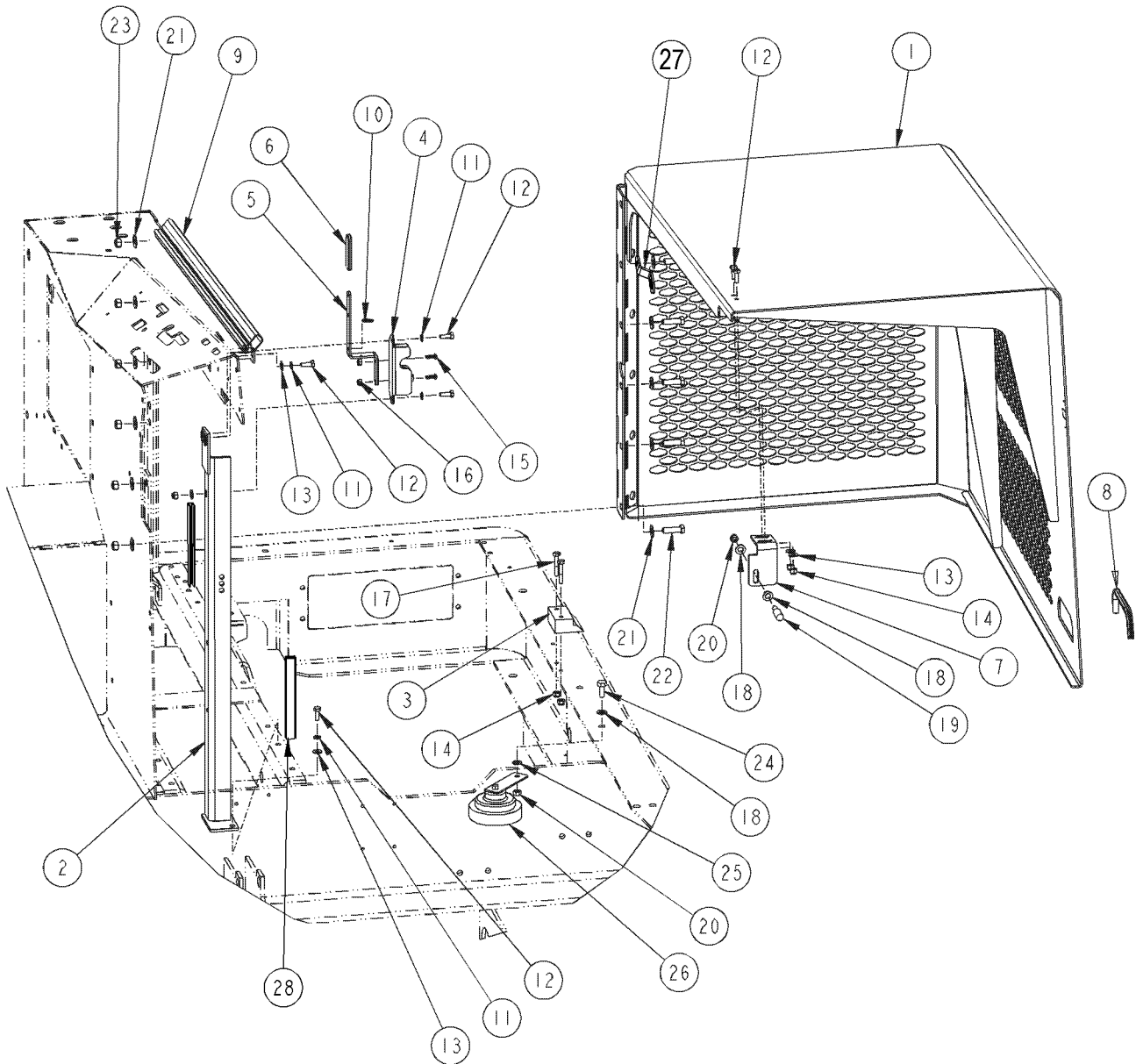
71001

ENGINE COVER

90

7765, 7760

08-3



**ENGINE COVER**

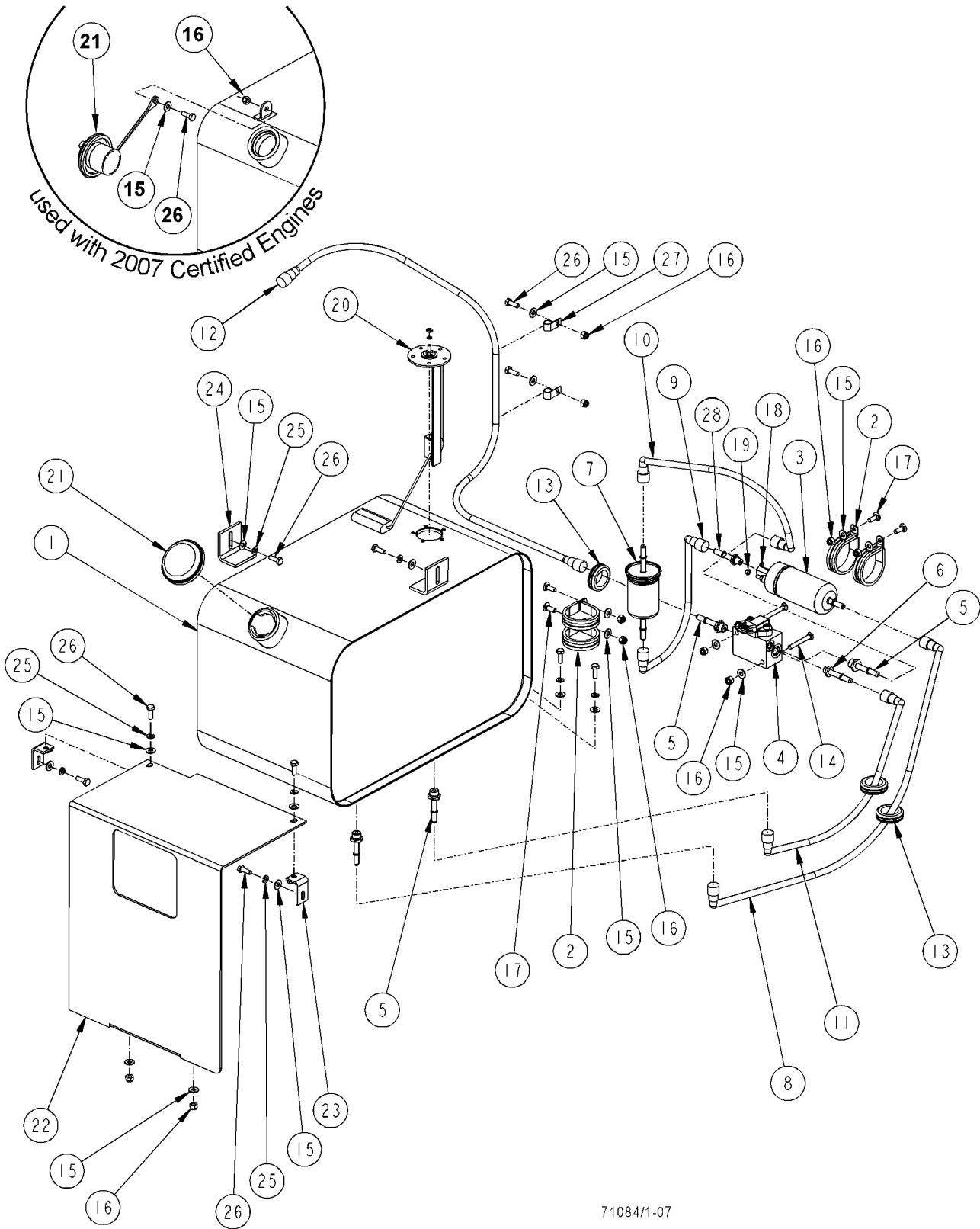
08-3

**7765, 7760****91**

Item	Ref. No.	Qty	Description
1	7-16-07505	1	Engine Cover
2	7-81-00138	1	Center Support Weldment
3	7-78-05016	1	Stop, Engine Cover
4	8-41-00037	1	Slam Latch
5	7-31-06062	1	Handle, Cover Latch
6	7-31-06061	1	Grip, Cover Latch
7	7-08-00872	1	Bracket, Engine Cover
8	8-21-04038	1	Edging
9	7-29-00157	1	Gasket, Engine Cover Seal
10	7-76-00106	1	Spring, Handle Return
11	2-00-00518	4	Lock Washer, Helical Spring 1/4 Med
12	2-00-00221	6	Screw, 1/4-20 x .75 HHC
13	2-00-03702	5	Flat Washer, .625 x .281 x .062
14	2-00-00641	5	Nut, 1/4-20 Fiber Insert Hex
15	2-00-04794	2	Screw, #10-24 x .625 HHC
16	2-00-01246	2	Nut, #10-24 Elastic Stop
17	2-00-00203	2	Bolt, 1/4-20 x 1.5 Hex
18	2-00-00409	3	Flat Washer, .687 x .343 x .062
19	7-55-08116	1	Striker Pin
20	2-00-00644	2	Nut, 5/16-18 Fiber Insert Hex
21	2-00-00410	12	Flat Washer, .875 x .375 x .062
22	2-00-00209	6	Screw, 3/8-16 x 1.25 HHC
23	2-00-04182	6	Nut, 3/8-16 Hex Stop
24	2-00-01255	1	Screw, 5/16-18 x 7/8 HHC
25	2-00-02303	1	Lock Washer, 5/16 HS Med.
26	8-32-09013	1	Horn
27#	56109092	1	Bracket, Radiator Support
28#	7-21-04031	2	Edging-Brush Drive Support

# = Revised or new since last update

71072



**GAS TANK - GM 3.0 LITER ENGINE**

07-1

**7765, 7760**

**93**

Item	Ref. No.	Qty	Description
1	56109112	1	Gasoline Tank Weldment
2	7-13-07243	4	Clamp, Fuel Pump
*3	56305062	1	Fuel Pump
*4	7-11-04082	1	Fuel Temp Manifold
*5	7-11-04083	4	Fitting, -6 SAE x 5/16 Quick Connect
*6	7-11-04084	1	Fitting, -3 SAE x 5/16 Quick Connect
*7	56305412	1	Fuel Filter
8	7-33-02735	1	Hose, Low Permeation Fuel Line
9	7-33-02736	1	Hose, Low Permeation Fuel Line
10	7-33-02737	1	Hose, Low Permeation Fuel Line
11	7-33-02738	1	Hose, Low Permeation Fuel Line
12	7-33-02739	1	Hose, Low Permeation Fuel Line
13	2-00-04721	3	Rubber Grommet
14	2-00-00198	2	Carriage Bolt, 1/4-20 x 2.0
15	2-00-03702	19	Washer, .625 x .281 x .063
16	2-00-00641	11	Nut, 1/4-20 Fiber Insert
17	2-00-03575	4	Carriage Bolt, 1/4-20 x 3/4
18	2-00-06572	1	Nut, M4 Distorted Thread
19	2-00-06573	1	Nut, M5 Distorted Thread
20	8-26-04003	1	Float, Fuel Level
21	7-11-00029	1	Cap, Tank <b>NOTE 1</b>
	56508354	1	Fuel Cap <b>NOTE 2</b>
22	7-16-07280	1	Cover (Weldment)
23	7-08-00479	2	Bracket, Clamp
24	7-08-07100	2	Bracket, Clamp
25	2-00-00518	8	Lock Washer, 1/4 Helical Spring
26	2-00-00221	11	Bolt, 1/4-20 x 3/4 LG Fin. Hex Head
27	2-00-04602	2	Clamp
*28	56109052	1	Fitting, Fuel Pump

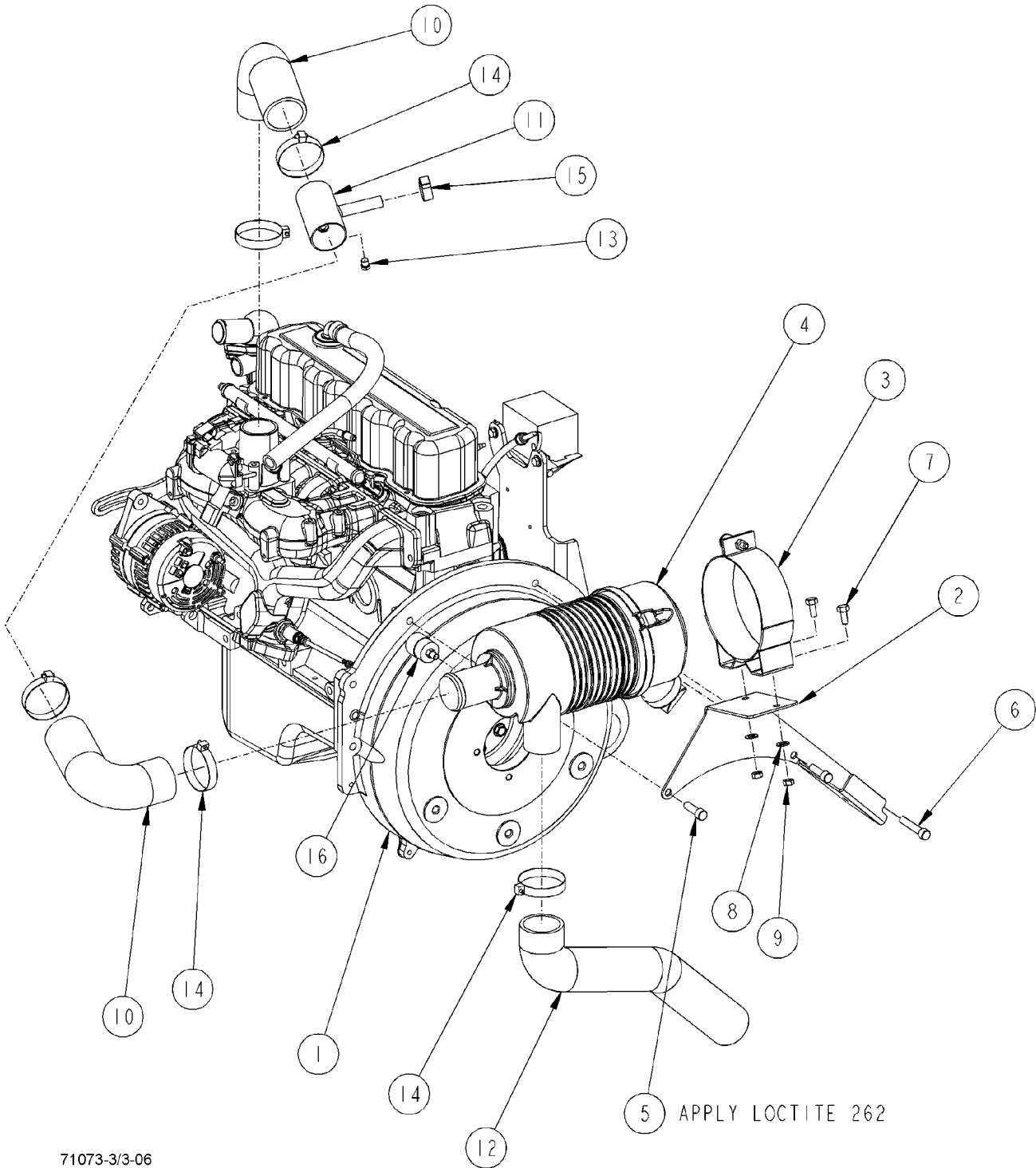
\* = Included with 0777-069 engine

See "Spare Parts" and "Engine Service Parts" pages for additional engine replacement parts.

**NOTE 1:** Used on machines with engines built prior to 2007 certification.

**NOTE2:** Used on machines with engines that are 2007 certified.

71084



71073-3/3-06

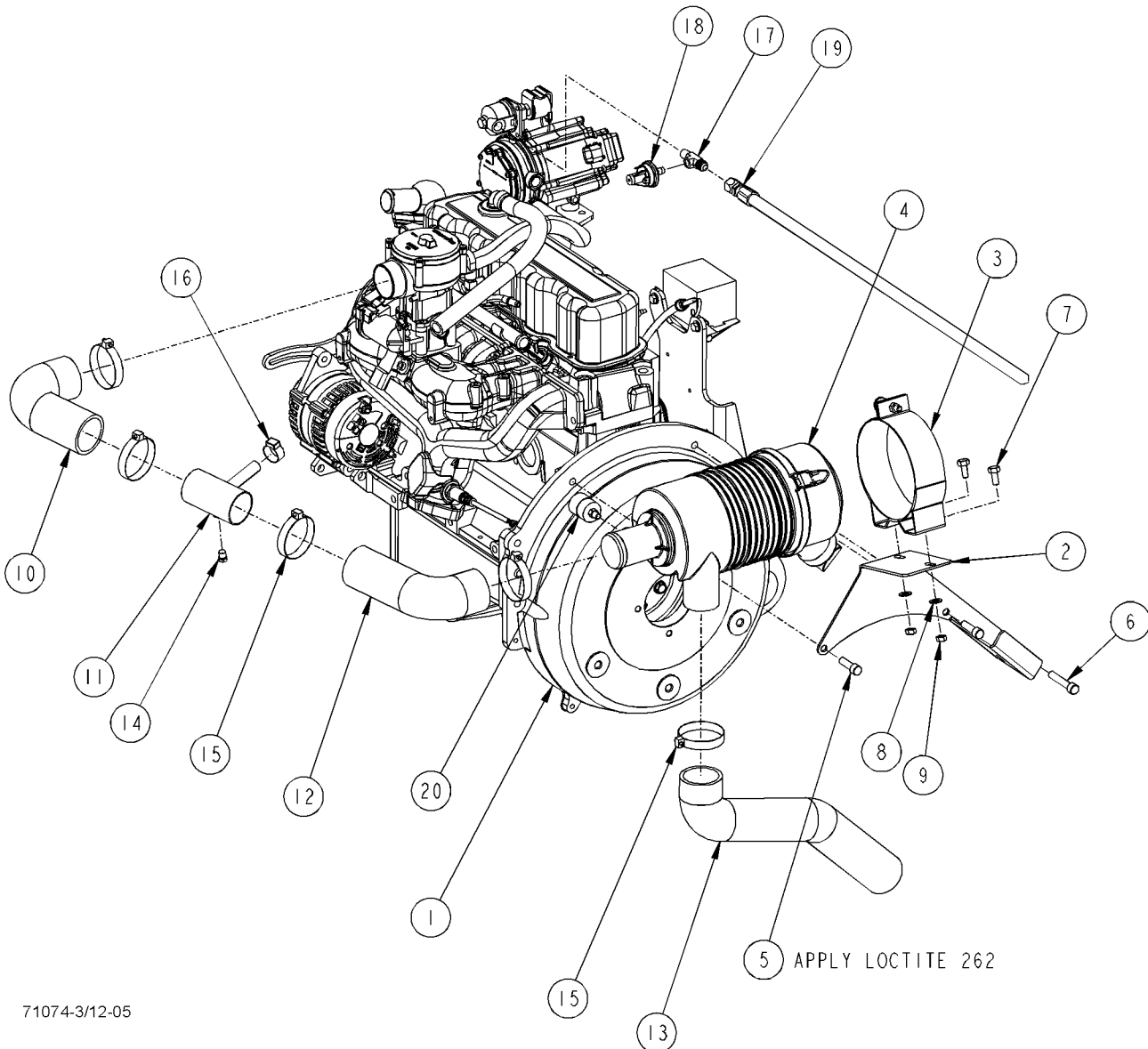
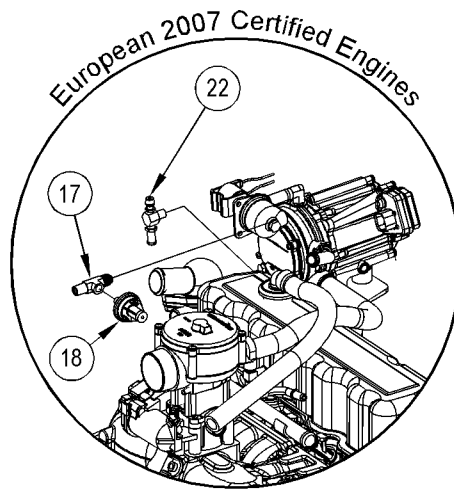
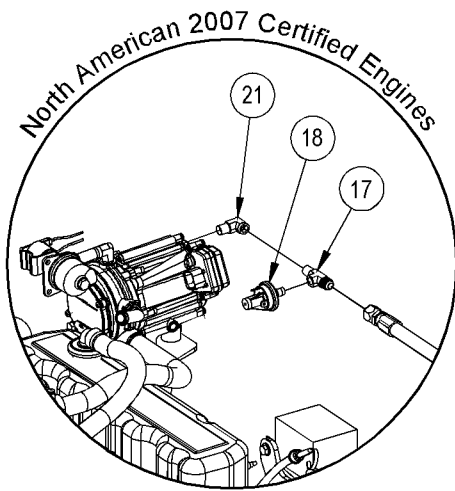
**GM 3.0 LITER - GAS ENGINE (AIR FILTRATION SYSTEM)****7765, 7760****95**

Item	Ref. No.	Qty	Description
2	7-08-01324	1	Bracket, Air Cleaner
3	7-13-07242	1	Clamp, Air Cleaner
4	7-24-04083	1	Filter Assy., Air Cleaner
*5	2-00-03865	2	Cap Screw, 3/8-16 x 1.25
*6	2-00-04534	1	Cap Screw, 3/8-16 x 2.0
7	2-00-00208	2	Screw, 5/16-18 x 3/4 HHC
8	2-00-00409	2	Flat Washer, .687 x .344 x .062
9	2-00-00644	2	Nut, 5/16-18 Fiber Insert Hex
10	7-33-02711	2	Hose, Air Intake
11	56305240	1	Tube Weldment
12	7-33-02714	1	Hose, Air Intake
13	2-00-03778	1	Plug, 1/8 NPT
14	2-00-02216	5	Clamp, Hose
15	2-00-03407	1	Clamp, Hose
16	56478461	1	Filter Service Indicator

\* = Included with 0777-069 engine

See "Spare Parts" and "Engine Service Parts" pages for additional engine replacement parts.

71073-3



71074-3/12-05

**GM 3.0 LITER - LP ENGINE (AIR FILTRATION SYSTEM)**

07-1

**7765, 7760**

**97**

Item	Ref. No.	Qty	Description
1	0777-068	1	Engine, GM 3.0 LP
2	7-08-01324	1	Bracket, Air Cleaner
3	7-13-07242	1	Clamp, Air Cleaner
4	7-24-04083	1	Filter Assy., Air Cleaner
*5	2-00-03865	2	Cap Screw, 3/8-16 x 1.25
*6	2-00-04534	1	Cap Screw, 3/8-16 x 2.0
7	2-00-00208	2	Screw, 5/16-18 x 3/4 HHC
8	2-00-00409	2	Flat Washer, .687 x .344 x .062
9	2-00-00644	2	Nut, 5/16-18 Fiber Insert Hex
10	7-33-02711	1	Hose, Air Intake
11	56305240	1	Tube Weldment
12	7-33-02712	1	Hose, Air Intake
13	7-33-02714	1	Hose, Air Intake
14	2-00-03778	1	Plug, 1/8 NPT
15	2-00-02216	5	Clamp, Hose
16	2-00-03407	1	Clamp, Hose
17	2-00-05942	1	Fitting, 1/4 NPT x 1/8 NPT x 3/8 JIC Tee
18	8-82-00046	1	Switch, Low Pressure
19	7-33-02721	1	Hose, LP High Pressure (64")
20	56478461	1	Filter Service Indicator
21	2-00-05678	1	Fitting, 1/4" NPT Street Elbow, 90, Brass <b>NOTE 1</b>
22	7-88-00117	1	Valve, Safety LP Export <b>NOTE 2</b>

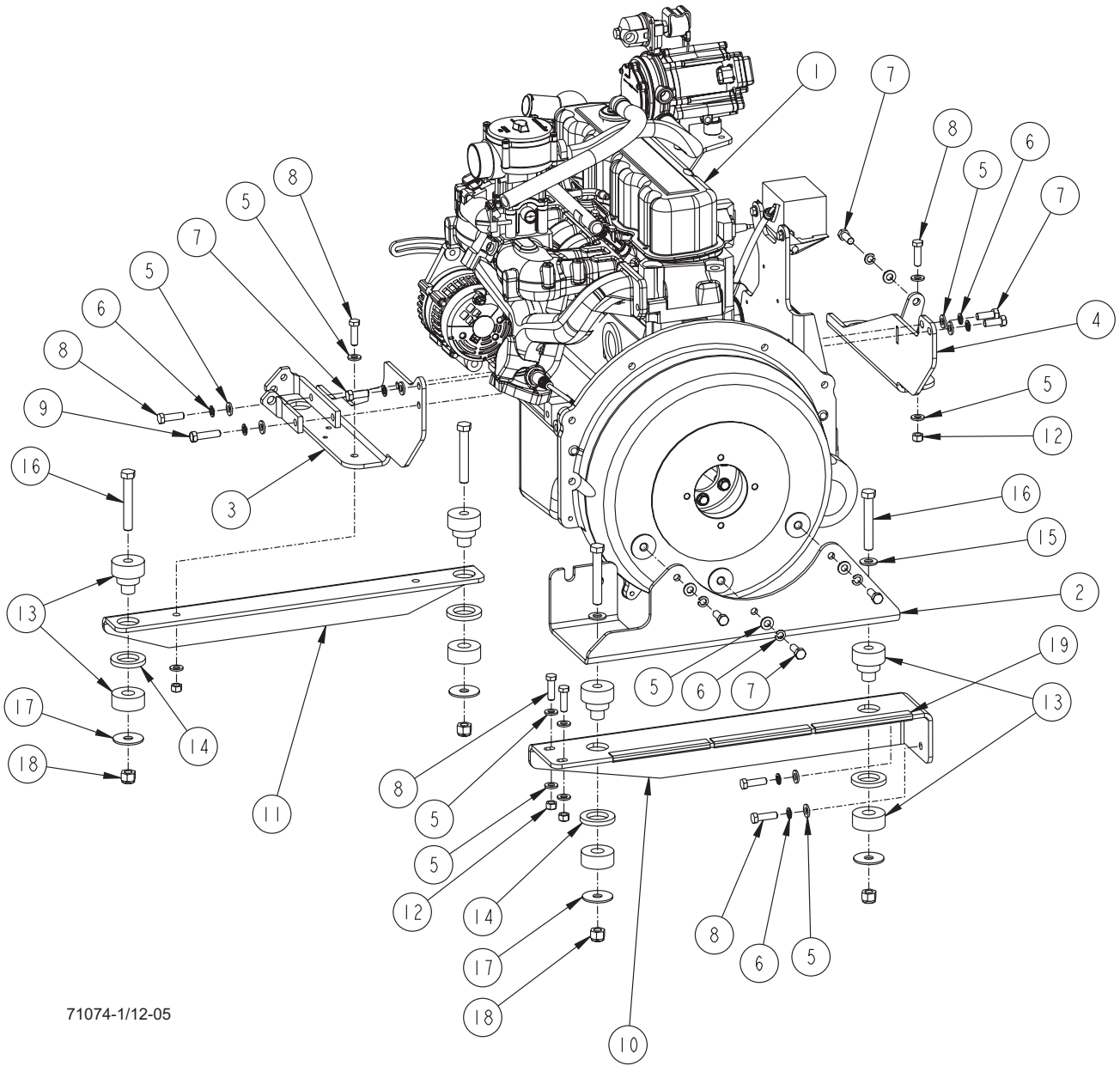
\* = Included with 0777-068 engine

**NOTE 1:** Used on North American machines with 2007 certified engines.

**NOTE 2:** Used on European (CE) machines with 2007 certified engines.

See "Spare Parts" and "Engine Service Parts" pages for additional engine replacement parts.

71074-3



71074-1/12-05

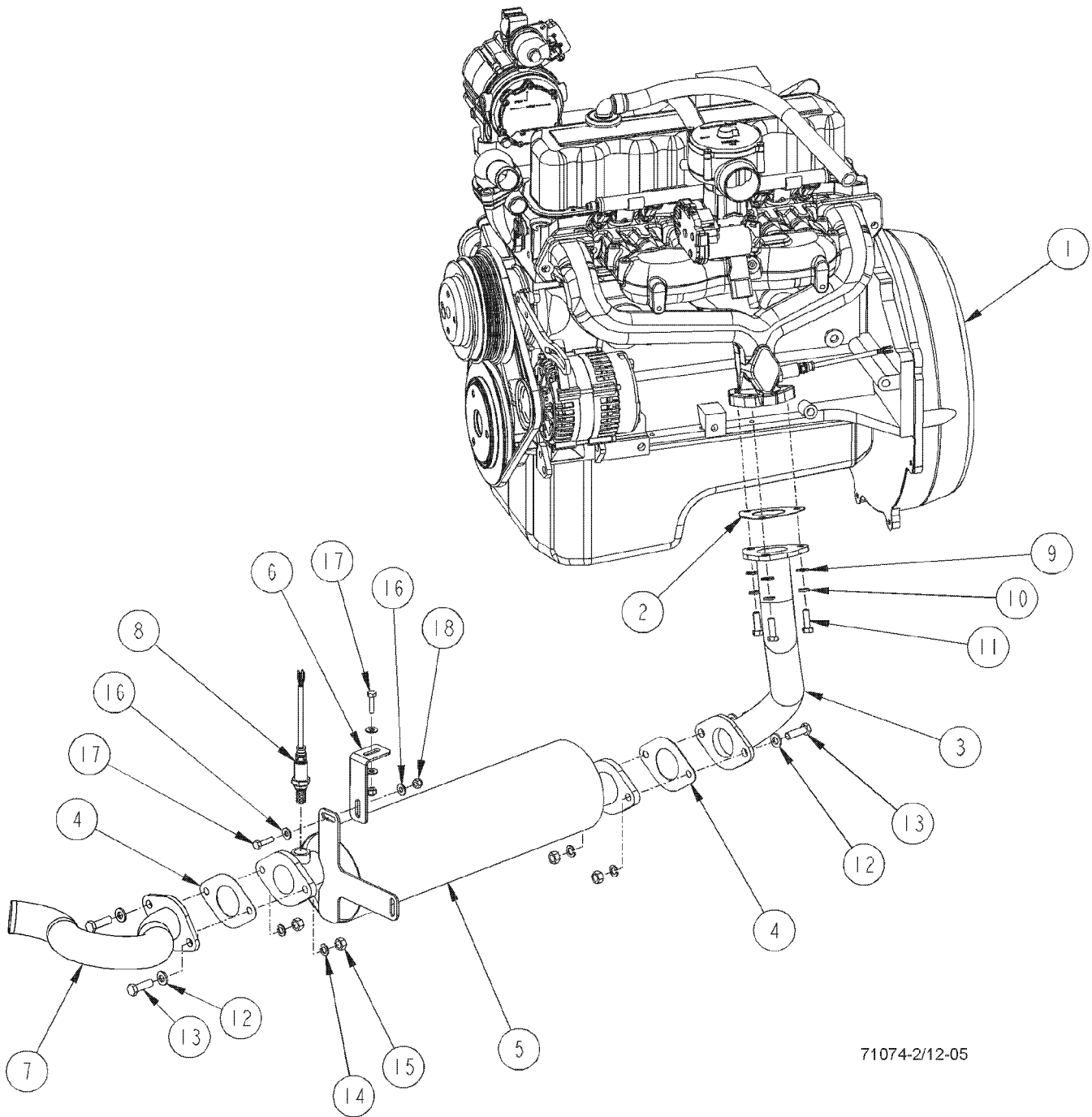
**GM 3.0 LITER - GAS & LP ENGINES (SUPPORTS, BRACKETS)**

**7765, 7760**

**99**

Item	Ref. No.	Qty	Description
1	0777-068	1	Engine, GM 3.0 LP
	0777-069	1	Engine, GM 3.0 GAS
2	7-08-01325	1	Bracket, Engine Mount
3	7-08-01326	1	Bracket, Engine Mount
4	7-08-01327	1	Bracket, Engine Mount
5	2-00-00402	19	Washer, 25/64 ID x 3/4 OD
6	2-00-02310	11	Lock Washer, 3/8 Helical Spring
7	2-00-00233	7	Bolt, 3/8-16 x 1.25 Fin. Hex Head
8	2-00-00209	7	Bolt, 3/8-16 x 1.25 Hex Head
9	2-00-00234	1	Screw, 3/8-16 x 1.50 HHC
10	7-81-00289	1	Support, Engine
11	7-81-00290	1	Support, Engine
12	2-95-04182	4	Nut, 3/8-16 Hex Stop
13	7-35-00017	4	Isolator, Engine Mount (Red Dot)
14	2-00-05955	4	Washer
15	2-00-00405	2	Flat Washer, 1.063 x .531 x .094
16	2-00-02617	4	Screw, 1/2-13 x 3.5 SS
17	2-00-05067	4	Spacer, Snubbing Washer
18	2-00-04936	4	Nut, 1/2-13 Elastic Lock
19	7-21-04031	3	Edging, Brush Drive Support

71074-1



71074-2/12-05

**GM 3.0 LITER - GAS & LP ENGINES (EXHAUST SYSTEM)**

07-1

**7765, 7760**

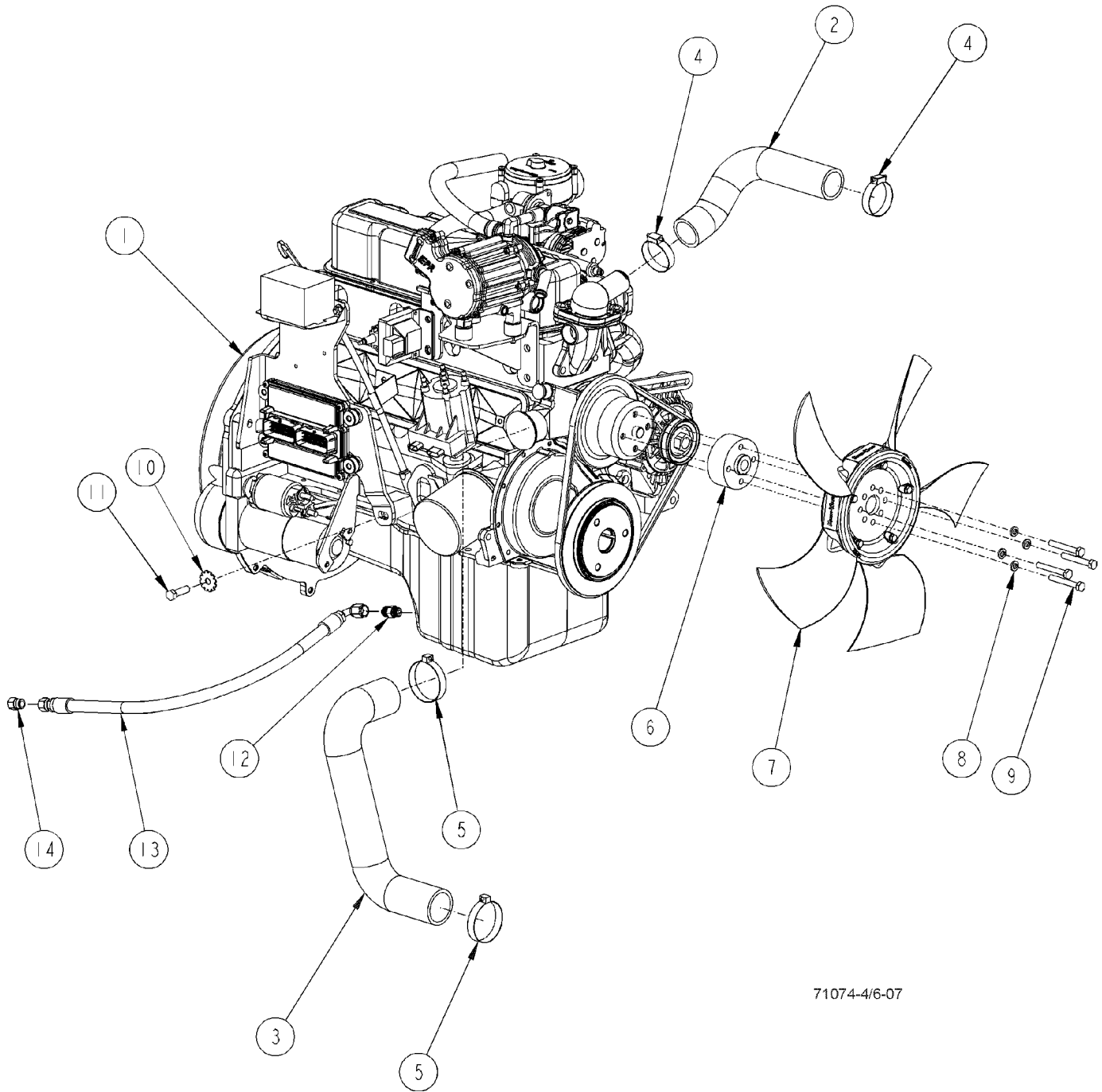
**101**

Item	Ref. No.	Qty	Description
1	0777-068	1	Engine, GM 3.0 LP
	0777-069	1	Engine, GM 3.0 GAS
*2	7-29-00344	1	Gasket, Exhaust Flange
3	7-56-04081	1	Exhaust Downpipe
*4	7-29-00345	2	Gasket, Exhaust Flange
*5	7-49-00045	1	Muffler, Catalyst
6	7-31-07036	1	Hanger, Muffler
7	7-56-04082	1	Exhaust Tailpipe <b>TSBUS2007-954</b>
*8	7-11-04081	1	O2 Sensor, GM 3.0
9	2-00-00409	3	Flat Washer, .687 x .344 x .062
10	2-00-00530	3	Lock Washer, 5/16
11	2-00-04948	3	Screw, M8 x 1.25 x 25mm HHC
12	2-00-00402	4	Washer, 25/64 ID x 3/4 OD
13	2-00-00209	4	Bolt, 3/8-16 x 1.25 Hex Head
14	2-00-02310	4	Lock Washer, 3/8 Helical Spring
15	2-00-02360	4	Nut, 3/8-16 Hex
16	2-00-03702	4	Washer, .625 x .281 x .063
17	2-00-00205	2	Bolt, 1/4-20 Fin. Hex Head
18	2-00-00641	2	Nut, 1/4-20 Fiber Insert

\* = Included with 0777-068 and 0777-069 engines

See "Spare Parts" and "Engine Service Parts" pages for additional engine replacement parts.

71074-2



71074-4/6-07

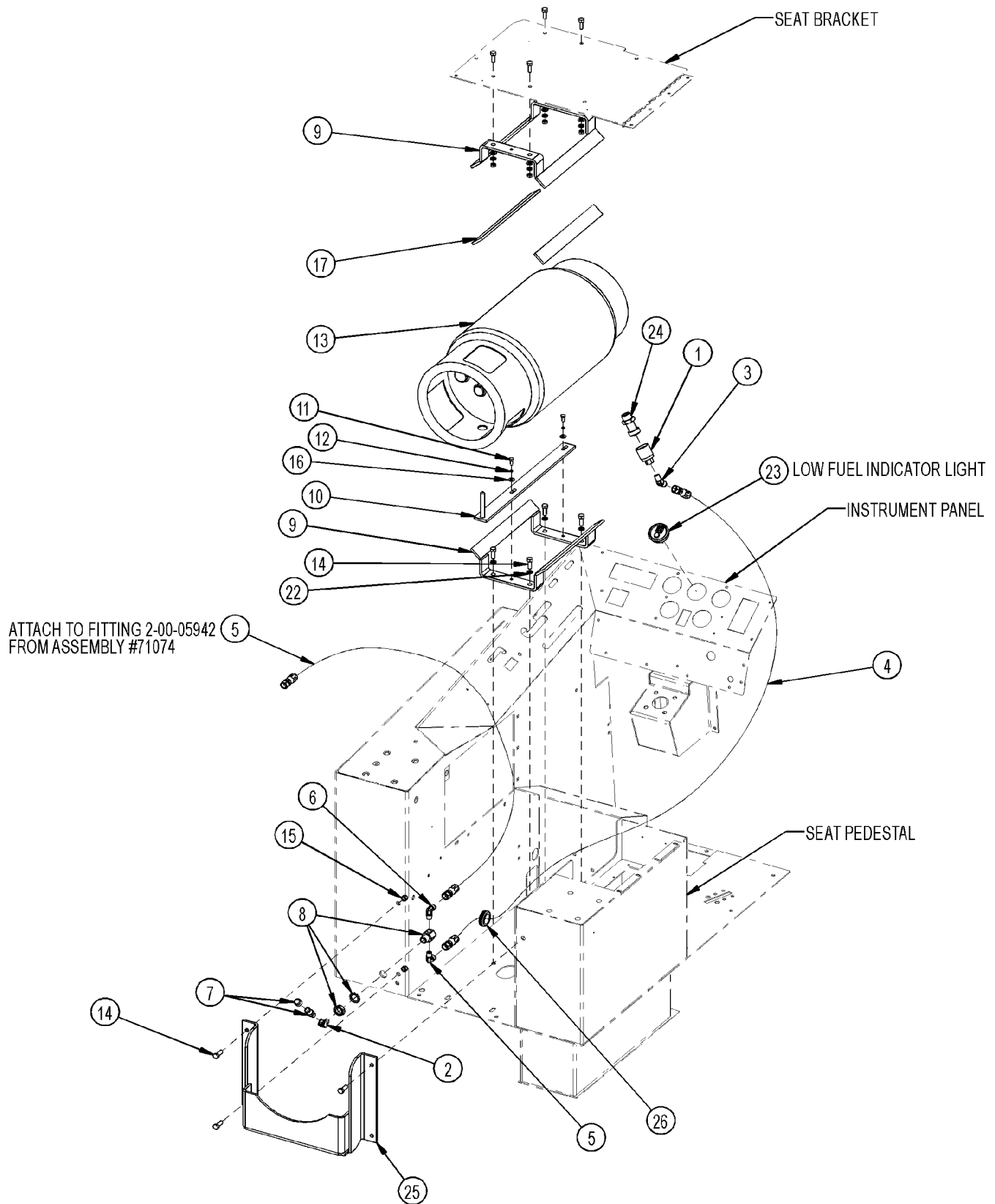
**GM 3.0 LITER - GAS & LP ENGINES (FAN, RADIATOR HOSES)**

07-6

**7765, 7760****103**

Item	Ref. No.	Qty	Description
1	0777-068	1	Engine, GM 3.0 LP
	0777-069	1	Engine, GM 3.0 GAS
2	7-33-02706	1	Hose, Upper Radiator
3	7-33-02713	1	Hose, Lower Radiator
4	2-00-03404	2	Clamp, Hose
5	2-00-02216	2	Clamp, Hose
6	7-75-01282	1	Spacer, Fan
7	56109130	1	Fan, 18" 5-Blade Sickle
8	2-00-00530	4	Lock Washer, 5/16
9	2-00-06557	4	Screw, 5/16-24 x 2.25 Hex Head
10	2-00-03829	1	Lock Washer, 3/8 Int./Ext. Tooth
11	2-00-04705	1	Bolt, 3/8-16 x 1.25 Fin. Hex Head
12	56109184	1	Connector, O-Ring
13	56305142	1	Hose Assy
14	56462247	1	Plug, Hex 37 Flared

71074-4



**LP FUEL TANK ASSEMBLY**

07-6

**7765, 7760**

**105**

Item	Ref. No.	Qty	Description
1~!	7-16-05049	1	Coupling (Woodward N3-0042-1)
2~!	8-56-05026	1	Fitting, 1/4 NPT x 1/4 FM 45° (Woodward N2-1106)
3~!	2-00-05721	1	Fitting, 1/4 NPT x 3/8 SAE 45, 45° (Woodward N2-1105)
4~!	7-33-02740	1	Hose, 5/16 ID x 44", #6 UL (Woodward 44" N8-3001)
6~!	8-56-05023	2	Fitting, 1/4 NPT x 3/8 SAE 90° (Woodward N2-1107)
5~!	7-33-02721	1	Hose, 5/16 ID x 64", #6 UL (Woodward 64" N8-3001)
7~	2-00-06094	1	Relief Valve (Woodward N3-0038-1)
8~	2-00-06555	1	Fitting, Bulkhead (Woodward N3-0037)
9	7-15-01038	2	Collar
10	7-43-05004	1	Lock
11	2-00-00220	2	Screw, 1/4-20 x .625 HHC
12	2-00-00518	2	Lock Washer, 1/4 Helical Spring
13!	56456590	1	LP Tank
14	2-00-00233	9	3/8-16 x 1.0 LG
15	2-95-04182	5	Nut, 3/8-16 Fiber Insert
16	2-00-03702	2	Washer, .625 x .281 x .063
17	7-50-05143	2	Pad
18			Intentionally Omitted
19			Intentionally Omitted
20			Intentionally Omitted
21			Intentionally Omitted
22	2-00-02310	4	Lock Washer, 3/8 Helical Spring
23!	7-11-04035	1	Light, Low LP Indicator
24!<	REF		Fitting
25	8-30-05171	1	Guard, LP Tank
26	2-00-04721	1	Rubber Grommet

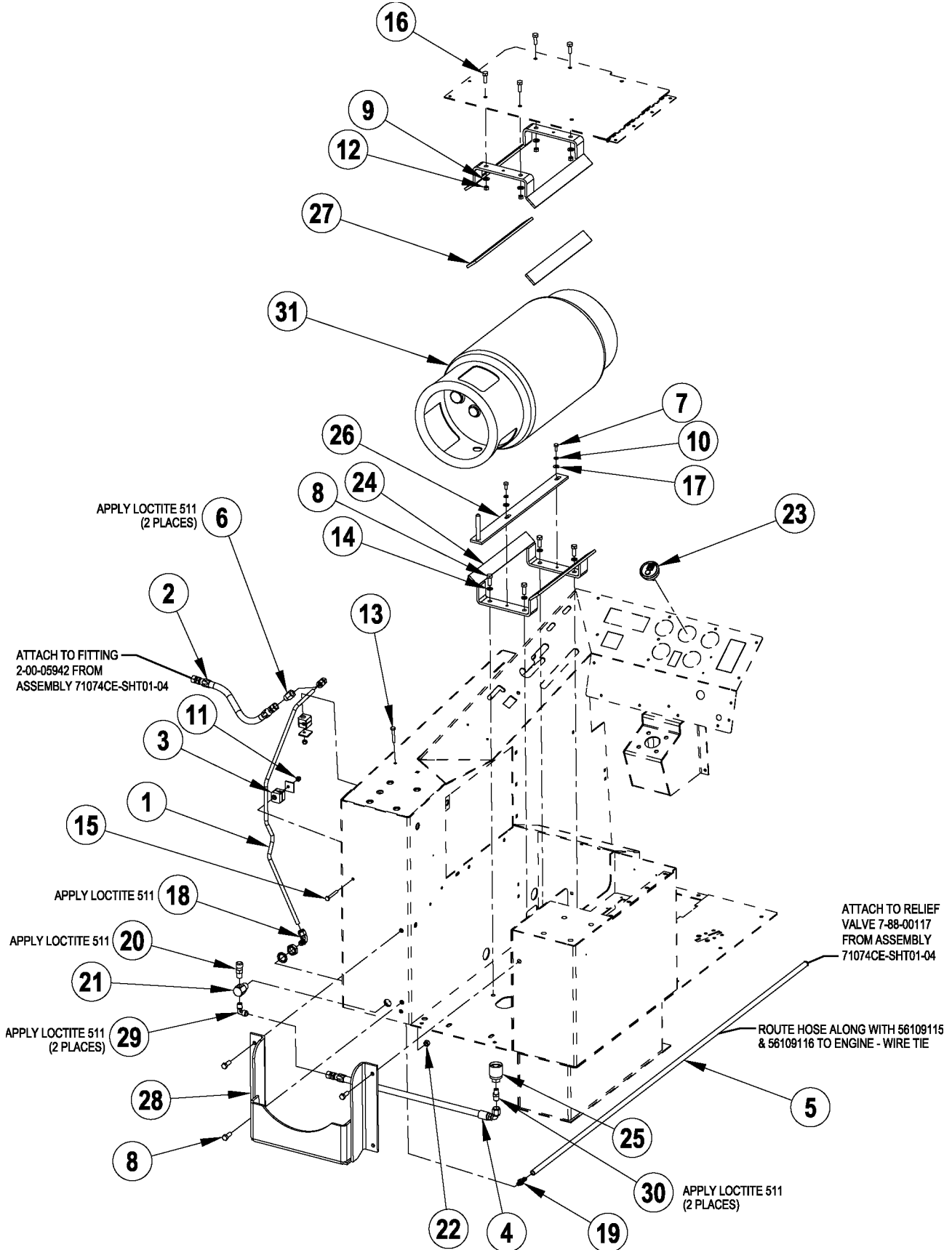
~ = Contained in LP Kit 7-11-04009

< = Comes with LP Tank

! = All NON-VGB/CE models

See "Spare Parts" and "Engine Service Parts" pages for additional engine replacement parts.

71071



**LP FUEL TANK ASSEMBLY CE**

07-6

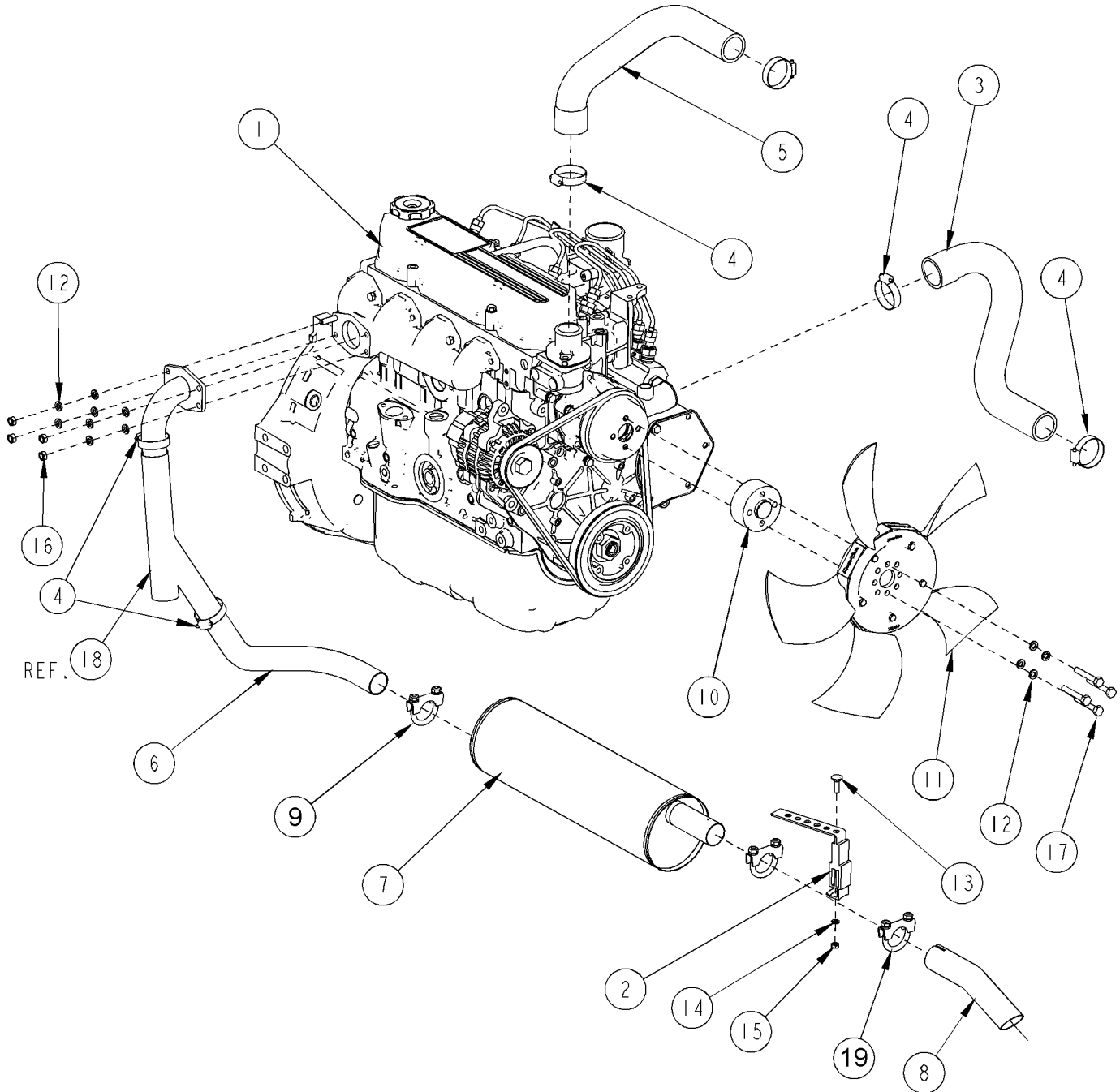
**7765, 7760**

**107**

Item	Ref. No.	Qty	Description
1	56109115	1	Tube, LP Fuel
2	56109116	1	Hose Assy, LPG
3	56109117	2	Clamp, Fuel Tube
4	56109118	1	Hose Assy, LPG
5	56109119	1	Hose, LP Vapor
6	56305505	1	Adapter, SAE 45 Deg.
7	2-00-00220	2	Screw - 1/4-20 X .625 HHC
8	2-00-00233	7	Bolt-Hex Head, Finished, 3/8-16 X 1.00
9	2-00-00409	4	Flat Washer, .687 X .344 X .062
10	2-00-00518	2	Washer, Lock, 1/4", Helical Spring
11	2-00-00641	2	Nut, Fiber Insert 1/4-20
12	2-00-00644	4	Nut, Hex, Insert Fiber, 5/16-18
13	2-00-01769	1	Screw, 1/4-20 X 1.75 HHC
14	2-00-02310	4	Washer-Lock, 3/8", Helical Spring
15	2-00-02589	1	Bolt-Hex Head, Finished, 1/4-20
16	2-00-02708	4	Screw, Hex Head, 5/16-18 X 1.00"
17	2-00-03702	2	Washer, .625 X .281 X .063
18	2-00-03815	2	Fitting, 3/8 Tube X 1/4 NPT, Elbow, 90
19	2-00-05997	1	Fitting, 3/8 Hose Barb X 1/8NPT
20	2-00-06094	1	Relief Valve
21	2-00-06555	1	Fitting, Bulkhead
22	2-95-04182	3	Nut, Hex, Stop, 3/8-16
23	7-11-04035	1	Kit, Low LP Indicator
24	7-15-01038	2	Weldment, LP Collar
25	7-16-05049	1	Coupling, LP Tank, Acme Rego 7141f
26	7-43-05004	1	Weldment, Lock
27	7-50-05143	2	Pad
28	8-30-05171	1	Guard, LP Tank Weldment
29	8-56-05023	1	Fitting, 1/4 NPT X 3/8 SAE 90°
30	8-56-05050	1	Fitting 1/4 NPT X 3/8 SAE Straight
31	56456590	1	LP Tank

See "Spare Parts" and "Engine Service Parts" pages for additional engine replacement parts.

71071CE



**08-3** **MITSUBISHI S4Q2 DIESEL ENGINE (FAN, EXHAUST, HOSES)**

08-3

**7765, 7760**

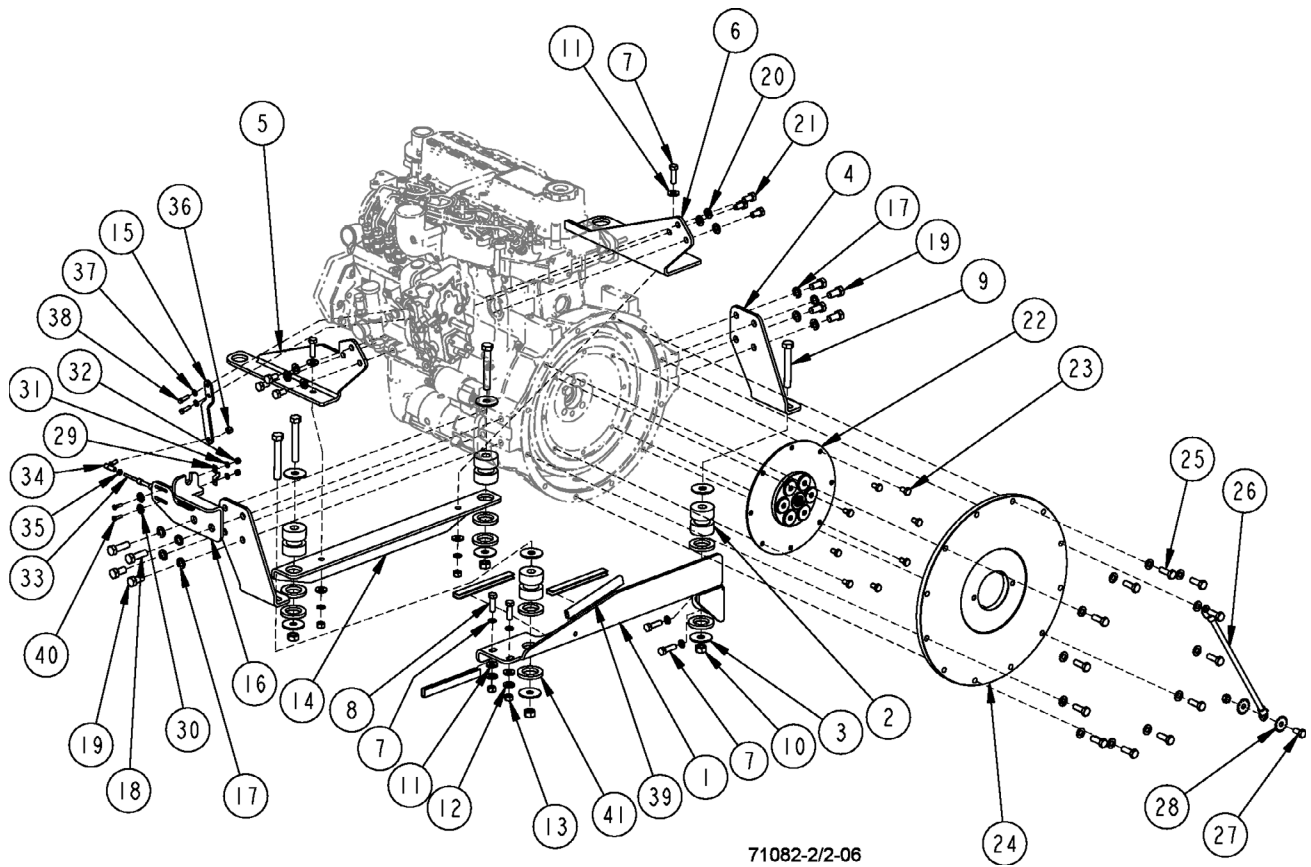
**109**

Item	Ref. No.	Qty	Description
1	0777-052	1	Engine Assy., Mitsubishi S4Q2 Diesel
2	7-31-07033	1	Hanger, Muffler
3	7-33-02709	1	Hose, Lower Radiator
4	2-00-03404	6	Clamp
5	7-33-02708	1	Hose, Upper Radiator
6	7-87-02239	1	Tube, Exhaust Downpipe
7	7-49-00031	1	Muffler
8	7-56-04055	1	Tailpipe
#9	2-00-04040	2	Clamp, 1/4" Muffler
10	7-75-01248	1	Spacer, S4Q2 Engine Fan
11	56109130	1	Fan, 18" 5-Blade Sickle
12	2-00-00530	12	Lock Washer, 5/16
13	2-00-00196	1	Carriage Bolt, .31-18 x 1.0
14	2-00-00518	1	Lock Washer, 1/4" Helical Spring
15	2-00-00594	1	Nut, 1/4-20 Hex
16	2-00-05964	4	Nut, M8 x 1.25
17	2-00-05981	4	Screw, M8 x 1.25 x 55mm HHC
18	7-34-09016	1	Sleeve, Insulating
#19	7-13-07075	1	Clamp Muffler 1 5/8

# = Revised or new since last update

See "Spare Parts" and "Engine Service Parts" pages for additional engine replacement parts.

71082-1



71082-2/2-06

**mitsubishi S4Q2 DIESEL ENGINE (SUPPORTS, THROTTLE)**

**7765, 7760**

**111**

Item	Ref. No.	Qty	Description
1	7-81-00273	1	Support, Engine
2	7-35-00017	4	Isolator, Engine Mount (Red Dot)
3	2-00-05067	8	Spacer, Snubbing Washer
4	7-08-01341	2	Bracket, Engine Rear
5	7-08-01339	1	Bracket, Engine Mount
6	7-08-01340	1	Bracket, Engine Mount
7	2-00-02310	6	Lock Washer, 3/8 Helical Spring
8	2-00-04705	6	Bolt, 3/8-16 x 1.25 LG Fin. Hex Head
9	2-00-02698	4	Screw, 1/2-20 x 3.50 LG HHC
10	2-00-00640	4	Nut, 1/2-20 Fiber Insert
11	2-00-04801	6	Flat Washer, 1.00 x .39 x .06
12	2-00-02312	2	Lock Washer, 1/2"
13	2-00-02360	5	Nut, 3/8-16 Hex
14	7-81-00290	1	Support, Engine
15	8-03-04321	1	Arm, Throttle
16	7-08-01209	1	Bracket, Forward/Reverse Cable
17	2-00-05043	8	Washer, 25/64 ID x 3/4 OD Plain <b>(A-L only)</b>
18	2-00-05370	2	Screw, M12 x 1.75 x 40mm HHC
19	2-00-05957	6	Screw, M12 x 1.75 x 25mm HHC
20	2-00-05042	18	Lock Washer, M10 Helical Spring <b>(A-L only)</b>
21	2-00-05958	6	Screw, M10 x 1.25 x 20mm HHC
22	7-16-05045	1	Coupling, Engine
23	2-00-05963	8	Screw, M8 x 1.25 x 15mm 8.8 Blox
24	7-33-05144	1	Casting, Pump Plate
25	2-00-05961	12	Screw, M10 x 1.25 x 30mm HHC
26	8-90-07328	1	Wire, Ground to Frame
27	2-00-00232	1	Bolt, 3/8-16 Fin. Hex Head
28	2-00-03829	2	Lock Washer, 3/8 Int./Ext. Tooth
29	8-13-07094	1	Clamp, Conduit
30	2-00-00498	2	Lock Washer, #10 Ext.
31	2-00-00426	2	Flat Washer, .500 x .219 x .063
32	2-00-01246	2	Nut, #10-24 Elastic Stop
33	7-10-00024	1	Cable, Throttle (80")
34	8-25-02036	1	Connector, Ball Joint
35	2-00-00626	1	Nut, 10-32
36	2-00-00633	1	Nut, 1/4-28 Fiber Insert
37	2-00-00518	2	Lock Washer, 1/4" Helical Spring
38	2-00-05279	2	Screw, M6 x1.0 x 20mm HHC
39	7-21-04031	4	Edging, Brush Drive Support
40	2-00-04795	2	Screw, 8-32 BHC
41	2-00-05955	8	Washer

See "Spare Parts" and "Engine Service Parts" pages for additional engine replacement parts.

71082-2



**MITSUBISHI S4Q2 DIESEL ENGINE (FUEL SYSTEM)**

07-6

**7765, 7760**

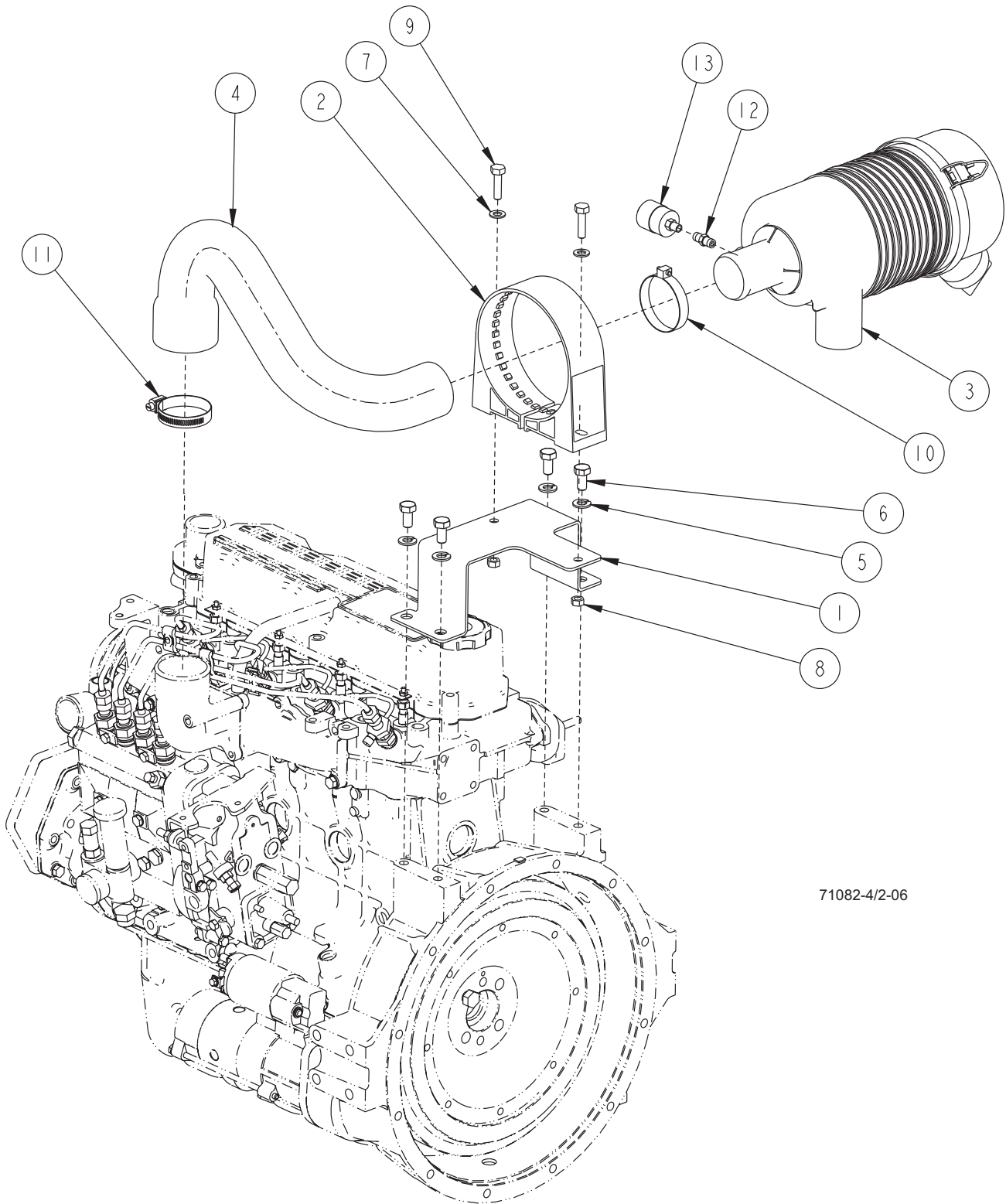
**113**

Item	Ref. No.	Qty	Description
1	2-00-04801	2	Flat Washer, 1.00 x .39 x .06
2	8-08-00940	1	Bracket, Fuel Filter
3	7-24-04078	1	Filter, Diesel Fuel
4	2-00-00530	4	5/16" Lock Washer
5	2-00-06532	2	Screw, M8 x 1.25 x 40mm
6	2-00-00209	2	Bolt, 3/8-16 x 1.25 Hex Head
7	2-00-00402	2	Washer, 25/64 ID x 3/4 OD
8	2-95-04182	2	Nut, 3/8-16 Hex Stop
9	2-00-05261	2	Insert, 1/4-20 Threaded
*10	8-60-05028	1	Pump, Fuel
11	2-00-00518	3	Lock Washer, 1/4" Helical Spring
12	2-00-00221	4	Bolt, 1/4-20 x .75 Fin. Hex Head
*13	2-00-05973	1	Hose Barb, 1/8 NPT x 5/16 90° Elbow
14	8-33-02145	1	Hose, Fuel (22")
15	2-95-04388	6	Clamp, Hose
16	2-00-03702	5	Flat Washer, .625 x .281 x .062
17	2-00-02587	1	Cap Screw, 1/4-20 x 1.25 Hex Head
18	2-00-00594	1	Nut, 1/4-20 Hex
19	8-08-00936	1	Bracket, Murphy
20	2-00-00641	3	Nut, 1/4-20 Fiber Insert
21	2-00-00512	2	Star Washer <b>(A-L only)</b>
22	7-64-00040	1	Relay, Murphy
23	2-00-00052	2	Screw, #10-24 x .38 RHMS
24	8-08-00939	1	Bracket, Murphy
25	2-00-04363	2	Screw, M8 x 1.25 x 20mm
26	2-00-00503	2	Lock Washer, 1/4-20
27	7-64-00041	1	Relay, Glow Plug
*28	8-74-00012	1	Solenoid, Starter
29	8-33-02172	1	Hose, Fuel (15")
30	8-08-07038	2	Bumper, Fuel Line
31	2-00-04873	1	Clamp, Cable
32	2-00-04602	1	Clamp
33	2-00-00501	1	Washer, 1/4 ID x .44 OD x .046
34	2-00-01490	1	Screw, 1/4-20 x .875 Hex Head
35	7-21-04051	2	Edging, Frame
36	2-00-05983	1	Fitting, 1/8 NPT x 5/16 Hose Barb
37	7-33-02641	1	Hose, 5/16 ID x 4" Fuel
38	2-00-03062	2	Screw, #10-24 x 5/8
39	2-00-01246	2	Nut, #10-24 Elastic Stop

\* = Comes with Engine Assembly

See "Spare Parts" and "Engine Service Parts" pages for additional engine replacement parts.

71082-3



71082-4/2-06

**MITO. S4Q2 DIESEL ENGINE (AIR INTAKE/FILTRATION)**

**7765, 7760**

**115**

Item	Ref. No.	Qty	Description
1	7-08-01206	1	Bracket, Air Cleaner
2	7-13-07231	1	Band, Air Cleaner Assy.
3	7-24-04083	1	Filter Assy., Air Cleaner
4	7-33-02613	1	Hose, Air Intake
5	2-00-05042	4	Lock Washer, M10 Helical Spring <b>(A-L only)</b>
6	2-00-05958	4	Screw, M10 x 1.25 x 20mm HHC
7	2-00-00409	2	Flat Washer, .687 x .344 x .062
8	2-00-00644	2	Nut, 5/16-18 Fiber Insert Hex
9	2-00-00207	2	Screw, 5/16-18 x 1.25 Hex Head
10	2-00-02216	1	Clamp, Hose
11	2-00-02217	1	Clamp, Hose
12	2-00-05004	1	Fitting, 1/8 NPT Nipple
13	56478461	1	Filter Service Indicator

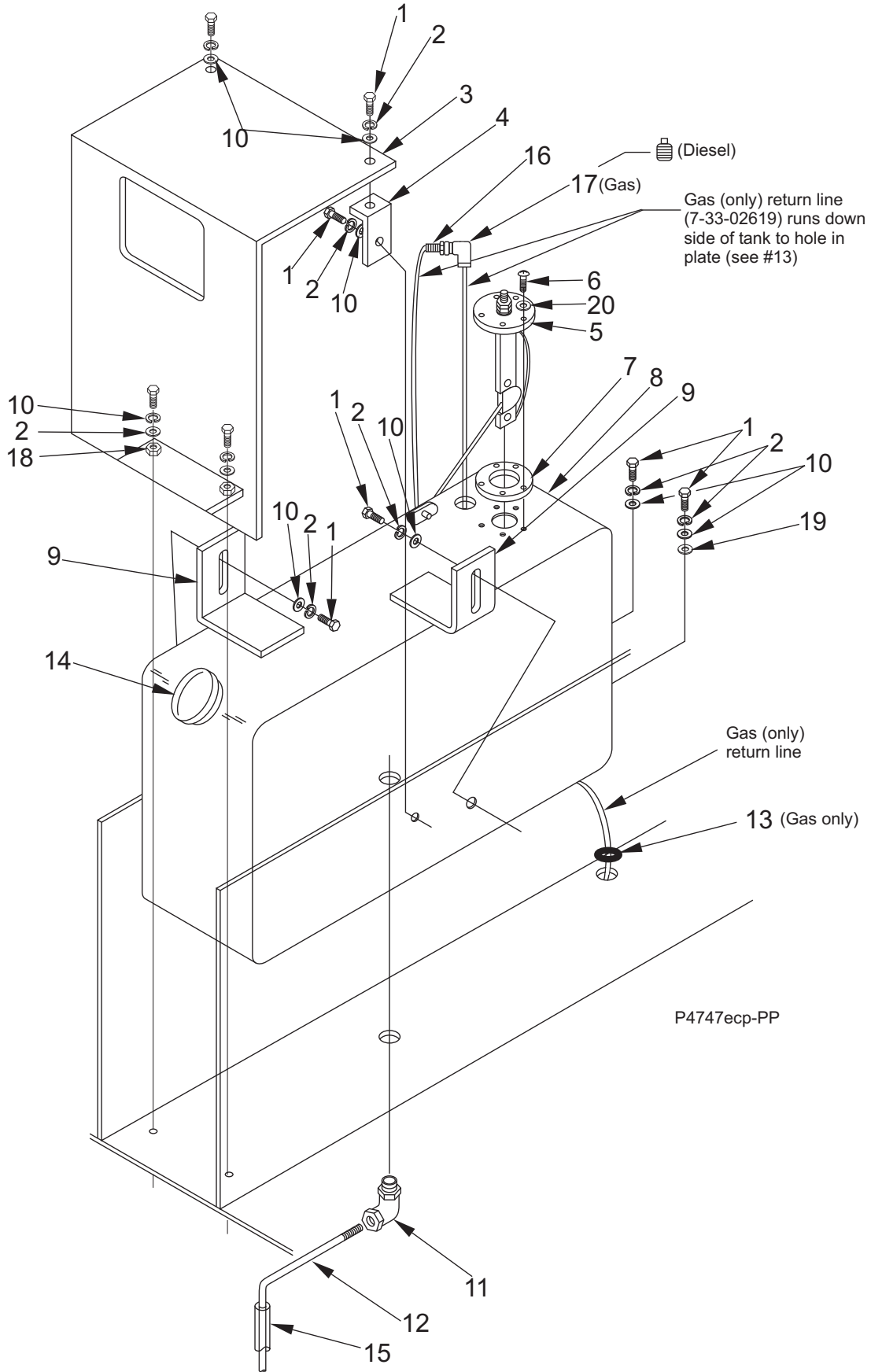
See "Spare Parts" and "Engine Service Parts" pages for additional engine replacement parts.

71082-4

FUEL TANK (DIESEL)

116

7765, 7760



	<b>FUEL TANK (DIESEL)</b>		
07-6	<b>7765, 7760</b>		<b>117</b>

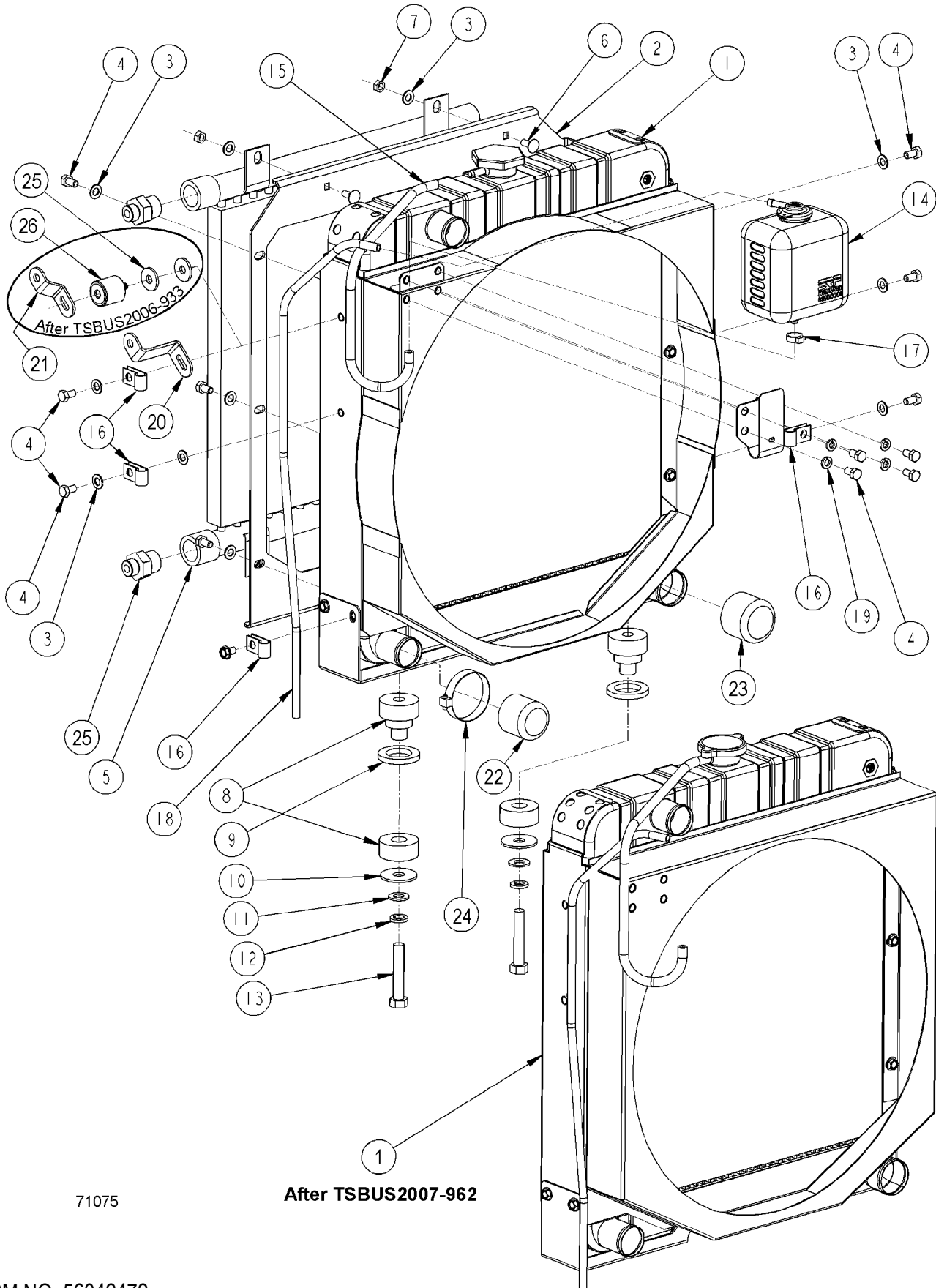
Item	Ref. No.	Qty	Description
1	2-00-00221	8	Screw, 1/4-20 x .750 HHC
2	2-00-00518	10	Lock Washer, 1/4 Helical Spring
3	7-16-07280	1	Cover
4	7-08-00479	2	Bracket
5	8-26-04003	1	Float
6	2-00-04737	5	Screw, #10-32 x .44 (Self-Seal)
7	8-29-00131	1	Gasket
8	8-83-04029	1	Fuel Tank
9	7-13-07100	2	Bracket
10	2-00-03702	10	Flat Washer, 1.062 x .265 x .062
11	2-00-04494	1	Fitting, 1/8" 90° Male Elbow Compression
12	7-87-02160	1	Fuel Line
13	2-00-03878	1	Grommet, 1.125 x .625 x .437 x .187
14	7-11-00029	1	Fuel Cap
15	8-08-07038	2	Bumper, Fuel Line
18	2-00-00594	2	Nut, 1/4-20 Fin. Hex
19	2-00-003829	1	Star Washer
20	2-00-00512	1	Star Washer <b>(A-L only)</b>

RADIATOR ASSEMBLY

118

7765, 7760

07-6



71075

After TSBUS2007-962

**RADIATOR ASSEMBLY**

07-6

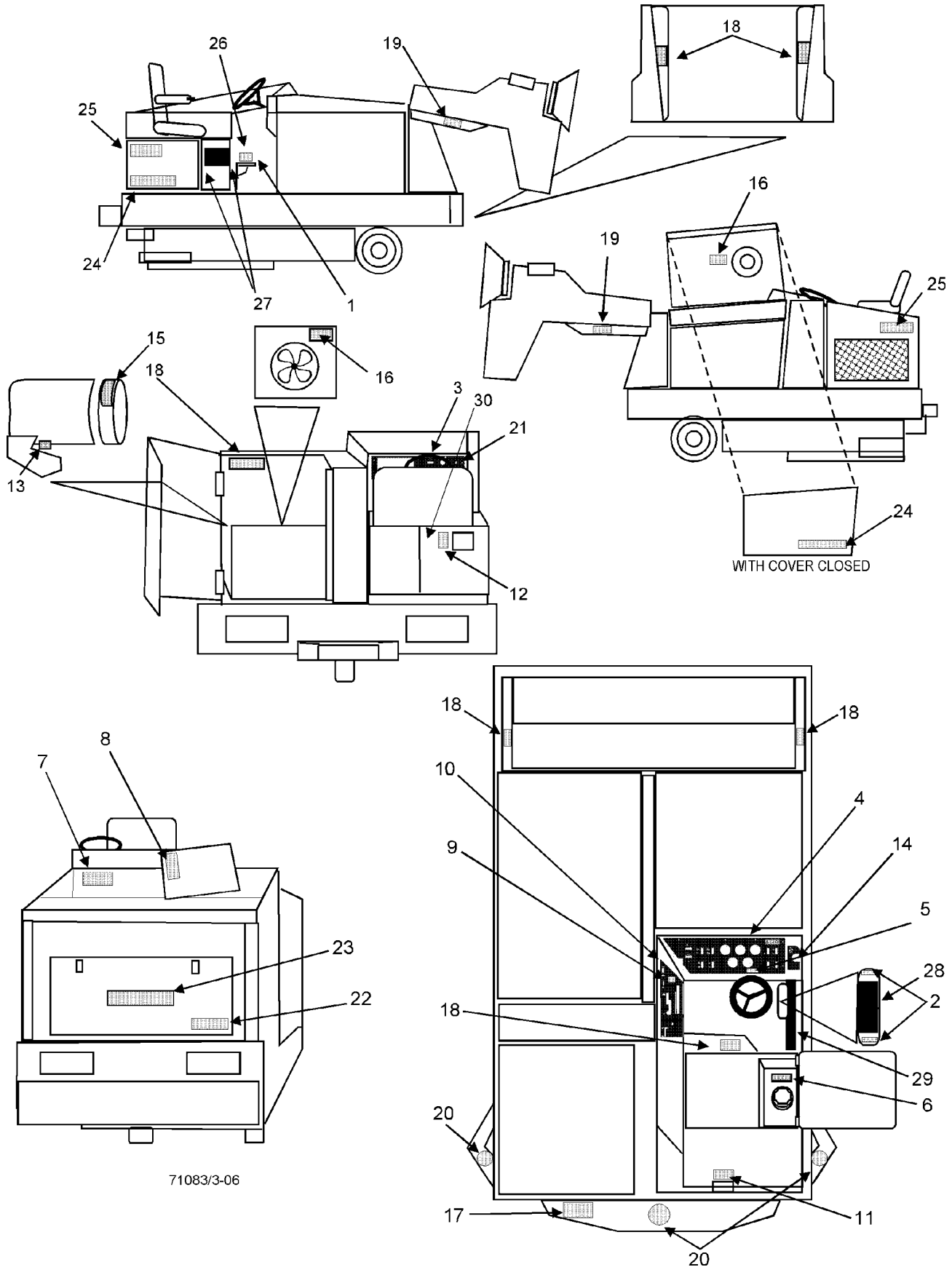
**7765, 7760**

**119**

Item	Ref. No.	Qty	Description
1	7-62-01011	1	Radiator <b>NOTE 1 Before TSBUS2007-962</b>
	56109131	1	Radiator <b>After TSBUS2007-962</b>
2	7-08-01337	1	Bracket, Oil Cooler
3	2-00-00409	13	Flat Washer, .687 x .344 x .062
4	2-00-05963	12	Screw, M8 x 1.25 x 15mm HHC
5	7-62-01014	1	Oil Cooler
6	2-00-03569	4	Carriage Bolt
7	2-00-00644	4	Nut, 5/16-18 Fiber Insert Hex
8	7-35-00017	2	Isolator, Engine Mount (Red Dot)
9	2-00-05955	2	Washer
10	2-00-05067	2	Spacer, Snubbing Washer
11	2-00-00405	2	Flat Washer, 1.063 x .531 x .094
12	2-00-02312	2	Lock Washer, 1/2"
13	2-00-02682	2	Screw, 1/2-13 x 2.75
14	7-07-02002	1	Overflow Bottle Assy. (1 liter)
15	7-33-02723	1	Hose, 1/4" ID x 20", Black
16	2-00-04873	4	Clamp, Cable
17	2-00-05363	1	Clamp, Hose
18	7-33-02724	1	Hose, 1/4" ID x 28", Clear
19	2-00-00530	4	Lock Washer, 5/16
20	7-08-01329	1	Bracket, Radiator Mount <b>Before TSBUS2006-933</b>
21	56109092	1	Bracket, Radiator Support <b>After TSBUS2006-933</b>
22	2-00-05956	1	Plug, Radiator Outlet (Gasoline/LPG)
23	2-00-06571	1	Plug, Radiator Outlet (Diesel)
24	2-00-02216	1	Clamp, Hose
25	2-00-04979	2	Fitting, Straight -8 ORS x -12 SAE
26	2-00-03266	2	Fan Washer <b>After TSBUS2006-933</b>
27	7-35-00028	1	Isolator, 32 x 32, M8-1.25 <b>After TSBUS2006-933</b>

**NOTE 1:** Radiator 7-62-01011 is obsolete if a replacement is needed order kit 56109133, which contains both a radiator (56109131) and a fan (56109130).

71075



**DECALS**

08-3

**7765, 7760**

**121**

Item	Ref. No.	Qty	Description
1*<	REF	1	Patent/Patents Pending
2	8-18-00490	1	Bi-directional Pedal
3	8-18-00517	1	Front Instrument Panel
4	8-18-00516	1	Top Instrument Panel
5<	REF	1	Turn Off-Lock Wheel
6*<	REF	1	ATF/Dextron Fluid Only
7*<	REF	1	Fill Marker
8*<	REF	1	No Gasoline or Combustibles
9*<	REF	1	Do Not Use with Flammables
10	8-18-00521	1	Left Side Control Panel
11<	REF	1	Fire Hazard-Fuel Could Explode
12<	REF	1	Gasoline Only (Gas models)
	REF	1	Diesel Fuel Only (Diesel models)
13<	REF	1	Surface Hot-Stay Clear
14	8-18-00500	1	Side Broom-Pull to Raise
15<	REF	1	Moving Belts-Stay Clear
16<	REF	2	Moving Fan Blade-Stay Clear
17*<	REF	1	Exhaust Warning
18<	REF	6	Pinch Point-Stay Clear
19<	REF	2	Cover/Hopper Could Close
20<	REF	3	No Step
#21<	8-18-00487	1	Blank Squares-Option Covers )
22	8-18-00549	1	American-Lincoln Technology (export only)
23	8-18-00526	1	American-Lincoln (large)
	8-18-00528	1	Alto (export only)
24	8-18-00525	2	American-Lincoln (medium)
	8-18-00548	2	American-Lincoln Technology (export only)
#25	8-18-00568	2	7765
	8-18-00561	1	7760 (export only)
26	REF	1	Serial Plate
27	2-00-04115	2	Rivet
28	8-50-05022	3	Pad (foot pedal)
29	7-50-05136	1	Pad (edge)
#30	56109404	1	Decal, Low Sulfur Diesel

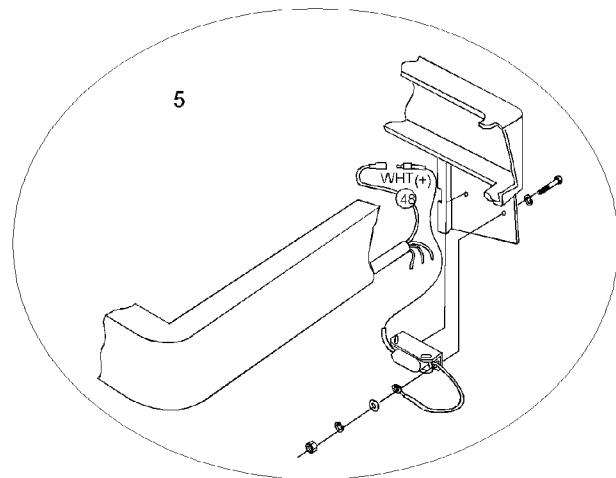
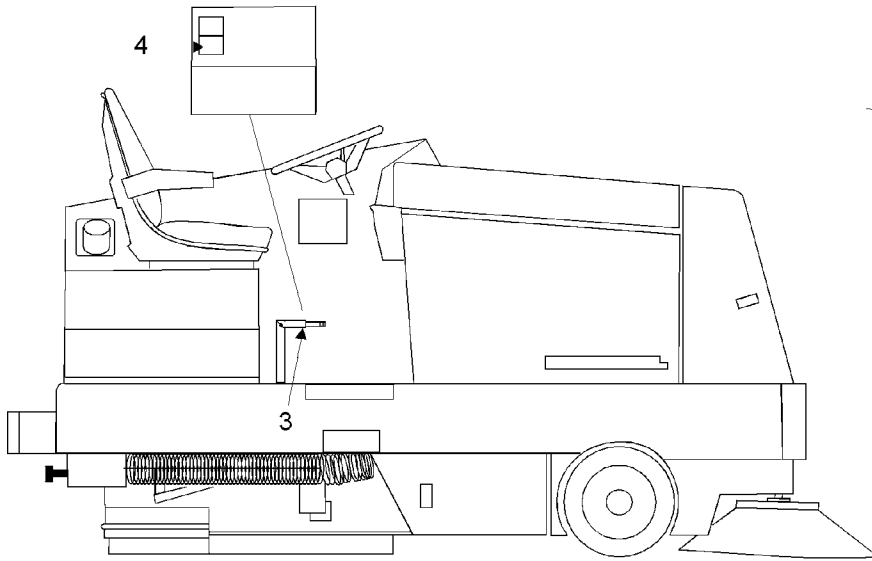
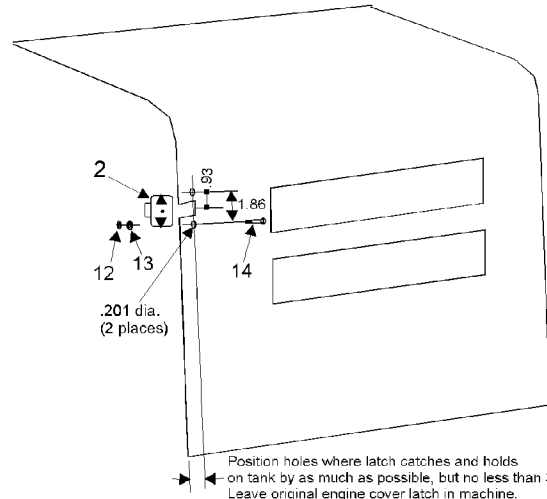
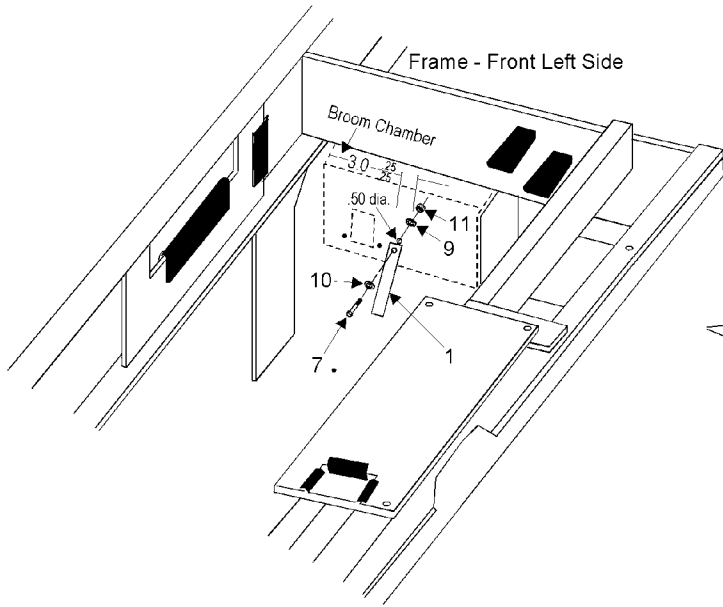
< = 7765 / 7760 No-Text and English Text warning/safety decals contained in kit 0760-896

\* = ALL WARNING/SAFETY DECALS with TEXT SOLD IN A KIT BY LANGUAGE:

DANISH	0760-850	ITALIAN	0760-851
DUTCH	0760-849	FRENCH	0760-847
NORWEGIAN	0760-852	SPANISH	0760-846
SWEDISH	0760-853	PORTUGUESE	0760-854
GERMAN	0760-848		

# = Revised or new since last update

71083



	<b>CE KIT</b>		
08-3	<b>7765, 7760</b>		<b>123</b>

Item	Ref. No.	Qty	Description
#1	56416517	1	Static Strap
2	8-41-05087	1	Latch
3	7-41-05099	1	Brake Lever (replaces 7-41-05083)
4	REF.	1	CE Serial Number Plate
#5	56409232	1	Back-Up Alarm (see Options Parts List)
6	8-31-06090	1	Latch Key (not shown)
#7	2-00-03855	1	3/8-16 x 1.0" Carriage Bolt
#8			Intentionally Omitted
#9	2-00-03266	1	Fan Wash
10	2-00-03829	1	Lock Washer, Int./Ext. Tooth
#11	2-95-04182	1	Nut-Hex Nyl Loc .38-16
12	2-00-01246	1	Insert, #10-24 Nylon
13	2-00-00426	1	Flat Washer, .500 x .219 x .063
14	2-00-03062	1	Screw, #10-24 x .63 THM
#[]	8-64-00008	1	Circuit Breaker (15 Amp)
#[]	2-00-00828	1	.25 Inch Non-Insulated Ring Term.
#[]	56409495	1	Pigtail Wire Assy
#[]	56409538	2	Insulator Terminal

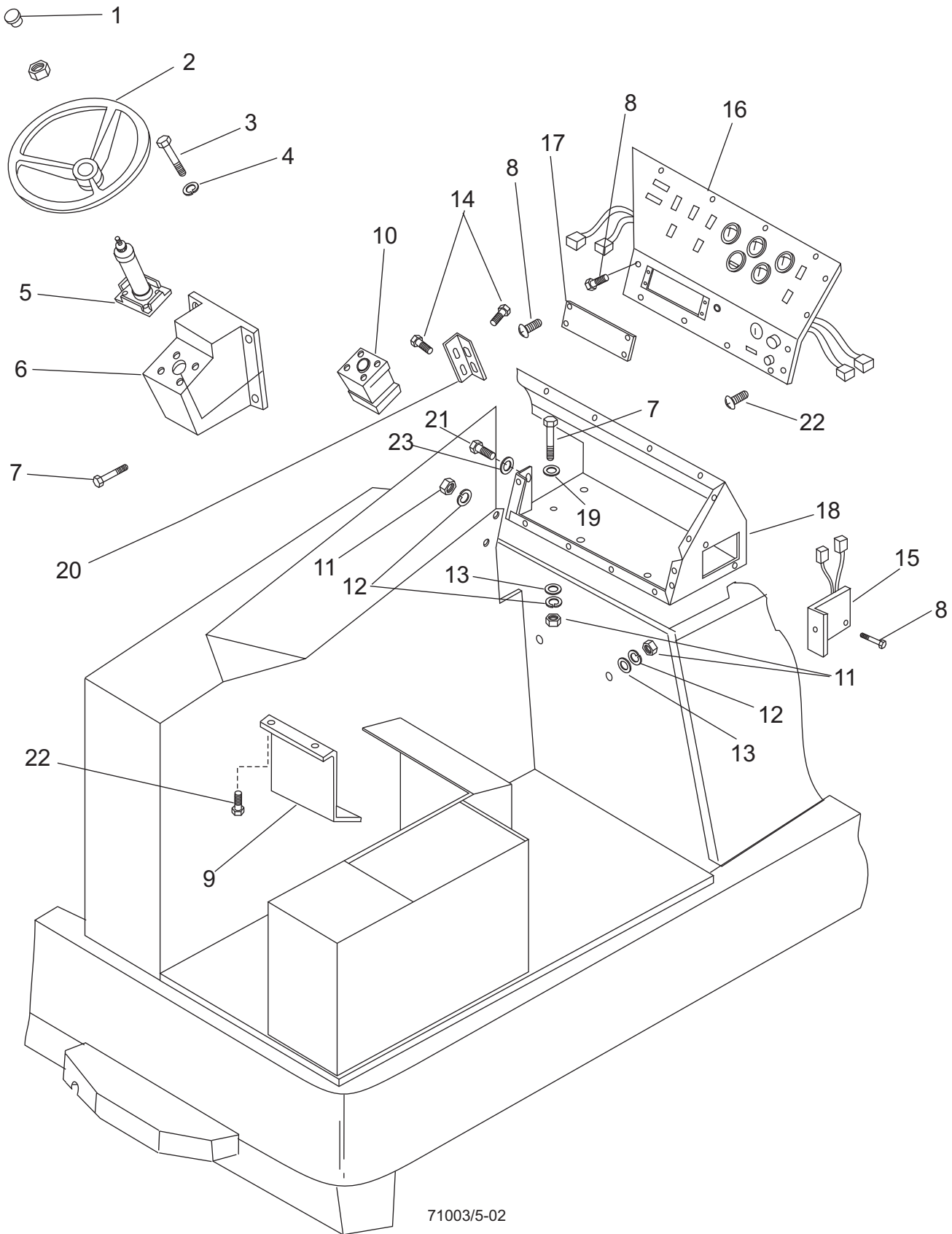
[] = Not Shown

# = Revised or new since last update

STEERING & INSTRUMENT PANEL

124

7765, 7760



71003/5-02

**STEERING & INSTRUMENT PANEL****7765, 7760****125**

Item	Ref. No.	Qty	Description
1	8-11-00022	1	Cap, Steering Wheel
2	7-89-08041	1	Steering Wheel
3	2-00-00233	4	Screw, 3/8-16 x 1.0 HHC
4	2-00-02310	4	Lock Washer, 3/8 Helical Spring
5	7-70-05135	1	Steering Column Assembly
6	7-33-05099	1	Housing, Steering
7	2-00-04685	8	Screw, 1/4-20 x 3/4 SS
8	2-00-03059	7	Screw, #10-24 x .375 THM
9	7-16-07283	1	Cover, Panel
10	7-60-05029	1	Pump, Steering Control Unit
	0880-675	1	Pump Seal Kit (Service item)
11	2-00-04688	10	Nut, 1/4 -20 SS Hex
12	2-00-04687	10	Lock Washer, 1/4 SS
13	2-00-04590	6	Sealing Washer, .63 x .25
14	2-00-04876	4	Screw, 1/4-20 x 1/2 BHS
15	7-52-00081	1	Panel, Circuit Breaker
16	7-52-00080	1	Instrument Panel
17	7-52-00083	1	Blank Panel
18	7-33-05096	1	Housing, Console
19	2-00-05237	4	Flat Washer, 1.06 x .265 x .063
20	7-08-00510	1	Bracket, Console Support
21	2-00-00219	2	Screw, 1/4-20 x 1/2
22	2-00-03466	12	Screw, #10-16 x 1/2 T/F RHM
23	2-00-00518	2	Lock Washer, 1/4

71003



**INSTRUMENT PANEL CONNECTIONS**

08-3

**7765, 7760**

**127**

Item	Ref. No.	Qty	Description
1^	7-82-00026	1	Key Switch (K-SW)
2^	8-82-00024	1	Horn, Push Button (H-PB)
3^	8-64-00008	10	Circuit Breaker (15 AMP)
4^	0795-186	1	Harness, Instrument Panel
5^	8-48-00016	1	Voltmeter (VM)
6^	8-48-05027	1	Gauge, Oil Pressure (OPG)
7^#	56478363	1	Gauge, Hour Meter (HM)
8^	8-48-05028	1	Gauge, Water Temperature (WTG)
9^	7-40-05028	2	Light, Rec High - Solution Low
10^	8-82-00044	2	Switch, Main & Side Broom (SPST On/Off)
11^	7-82-00019	3	Switch, SPST On/Off (L)
12^	7-82-00020	2	Switch, SPDT On/On
13	8-82-00045	1	Switch, Glow Plug (Diesel Only)
14	2-00-03062	1	Screw, #10 - 24 x .625 THM
15^	2-00-00519	2	Washer, #10 Lock Med. Helical Spring
16^	2-00-00605	3	Nut, #10 - 24 Hex.
17	8-90-07357	2	Wire, WTG to FG (Gas & Diesel Only)
18	8-48-05032	1	Gauge, Fuel (Gas & Diesel Only)
19^	8-64-05009	1	Relay
20^	8-64-00012	3	Relay
21	2-00-03063	3	Screw, #10 - 24 x .750 THM
22	2-00-00466	1	Flat Washer, .833 x .250 x .031
23	8-82-00045	1	Switch, Shaker Motor (SM-SW)
24	2-00-04757	2	Hole Plug
25^	2-00-04942	1	Hole Plug (Light SW)
26	7-11-04035	1	Kit, Low LP Indicator Light (LP Only)
27^	2-00-03061	2	Screw, #10-24 x .50 THM
28^	0795-111	1	Harness, Circuit Breaker
29^	7-52-00080	1	Weldment, Instrument Panel
30^	7-52-00081	1	Panel, Circuit Breaker Mount
31	2-00-02330	4	Nut, #10-32 Hex.
32	2-00-00512	5	Washer, #10 Int. <b>(A-L only)</b>
33^	8-08-00748	1	Bracket, Relay
34^	8-11-00044	10	Boot
35^	8-18-00516	1	Decal, Control Top Instr Panel
36^	8-18-00517	1	Decal, Control Top Instr Panel
37<	2-00-04896	2	Hole Plug
38^	8-90-07434	2	Wire Assy.

^ = Used on all models  
 < = Used on MD models

# = Revised or new since last update

**SPARE PARTS – GAS/LP (VARIABLE DUMP) MACHINES****BROOM & HOPPER COMPONENTS**

7-25-08036	1	Flap, Broom Chamber Front
7-25-08032	1	Flap - Broom Chamber
7-25-08034	2	Flap - Broom Chamber Rear Sides
7-25-08033	2	Flap - Broom Door
7-29-00226	4	Gasket - Broom Door
7-25-08068	1	Flap - Hopper Lip
7-68-05019	1	Seal Outer Door

**SQUEEGEE COMPONENTS**

7-77-00107	1	Rubber Rear Squeegee Outer
7-77-00108	2	Rubber Side Squeegees
7-77-00105	1	Rubber Rear Squeegee Inner

**FILTERS**

7-24-04032	1	Hydraulic Return Filter Element
7-24-04046	1	Hopper Panel Filter
7-24-04086	1	Engine Air Filter (Safety)
56482029	1	Engine Air Filter (Main)

**ENGINE-RELATED COMPONENTS****GM 3.0L Gas/LP Engine**

56109023	1	Oil Filter
56305412	1	Fuel Filter (Gasoline)
56305410	1	Filter (Propane)
56109028	1	Belt, Water Pump & Alternator
#56504459	A/R	Seal, Front Crankshaft

**SPARE PARTS - GAS/LP (MANUAL DUMP) MACHINES****BROOM & HOPPER COMPONENTS**

7-25-08052	1	Flap, Broom Chamber Front
7-25-08051	1	Flap, Broom Chamber Upper
7-25-08050	4	Flap, Hopper Lip

**SQUEEGEE COMPONENTS**

7-77-00107	1	Rubber Rear Squeegee Outer
7-77-00108	2	Rubber Side Squeegees
7-77-00105	1	Rubber Rear Squeegee Inner

**FILTERS**

7-24-04032	1	Hydraulic Return Filter Element
7-24-04086	1	Engine Air Filter (Safety)
56482029	1	Engine Air Filter (Main)

**ENGINE-RELATED COMPONENTS****GM 3.0L Gas/LP Engine**

56109023	1	Oil Filter
56305412	1	Fuel Filter (Gasoline)
56305410	1	Filter (Propane)
56109028	1	Belt, Water Pump & Alternator
#56504459	A/R	Seal, Front Crankshaft

# = Revised or new since last update

		<b>SPARE PARTS - DIESEL (VARIABLE DUMP) MACHINE</b>			
08-3	<b>7765, 7760</b>				<b>129</b>

## SPARE PARTS - DIESEL (VARIABLE DUMP) MACHINE

OPTION NO. 0780-621

### BROOM & HOPPER COMPONENTS

7-25-08036	1	Flap - Broom Chamber Front
7-25-08032	1	Flap - Broom Chamber
7-25-08034	2	Flap - Broom Chamber Rear Sides
7-25-08033	2	Flap - Broom Door
7-29-00226	4	Gasket - Broom Door
7-25-08068	1	Flap - Hooper Lip
7-68-05019	1	Seal - Outer Door

### SQUEEGEE COMPONENTS

7-77-00107	1	Rubber Rear Squeegee Outer
7-77-00108	2	Rubber Side Squeegees
7-77-00105	1	Rubber Rear Squeegee Inner

### FILTERS

7-24-04086*	1	Engine Air Filter (Safety)
56482029*	1	Engine Air Filter (Main)
7-24-04032	1	Hydraulic Return Filter Element
7-24-04046	1	Hopper Panel Filter

\* = Both filters should be changed at the same time

## ENGINE-RELATED COMPONENTS

### Mitsubishi S4Q2 Diesel Engine

7-24-04097	1	Oil Filter
#7-24-04089	1	Element, Fuel Filter
2-00-05968	1	Belt, Alternator/Fan
#56504421	1	Solenoid & Linkage, Shut Down
#56504455	A/R	Ring Set, Piston
#56504456	A/R	Bushing, Con-Rod

# = Revised or new since last update

**SPARE PARTS - DIESEL (MANUAL DUMP) MACHINES**

130

7765, 7760

08-3

**SPARE PARTS - DIESEL (MANUAL DUMP) MACHINES**

OPTION NO. 0780-625

**BROOM & HOPPER COMPONENTS**

7-25-08052	1	Flap, Broom Chamber Front
7-25-08051	1	Flap, Broom Chamber Upper
7-25-08050	4	Flap, Hopper Lip

**REAR SQUEEGEE COMPONENTS**

7-77-00107	1	Rubber Rear Squeegee Outer
7-77-00108	2	Rubber Side Squeegees
7-77-00105	1	Rubber Rear Squeegee Inner

**FILTERS**

7-24-04086	1	Engine Air Filter (Safety)
56482029	1	Engine Air Filter (Main)
7-24-04032	1	Hydraulic Return Filter Element

**ENGINE-RELATED COMPONENTS****Mitsubishi S4Q2 Diesel Engine**

7-24-04097	1	Oil Filter
#7-24-04089	1	Element, Fuel Filter
2-00-05968	1	Belt, Fan/Alternator
#56504421	1	Solenoid & Linkage, Shut Down
#56504455	A/R	Ring Set, Piston
#56504456	A/R	Bushing, Con-Rod

# = Revised or new since last update

**ENGINE SERVICE PARTS - MITSUBISHI S4Q2 DIESEL**

08-3

**7765, 7760**

**131**

Item	Ref. No.	Qty	Description
	0775-287	1	Alternator
	7-23-00022	1	Fan, S4Q2 Engine
	2-00-05968	1	Belt, Alternator/Fan
	7-60-05048	1	Water Pump
	7-29-00339	1	Gasket, Water Pump
	7-24-04097	1	Oil Filter
	7-75-03005	4	Glow Plug
	7-64-00041	1	Relay, Glow Plug (installed on wire harness)
	7-64-00040	1	Relay, Murphy (installed on wire harness)
	0769-029	1	Injector
	7-56-04071	1	Pipe, Cylinder #1
	7-56-04072	1	Pipe, Cylinder #2
	7-56-04073	1	Pipe, Cylinder #3
	7-56-04074	1	Pipe, Cylinder #4
	7-56-04079	1	Pipe, Fuel Leak-Off
	7-29-00312	1	Gasket, Thermostat
	7-84-08016	1	Thermostat
	0775-285	1	Starter
	7-29-00338	1	Gasket, Cylinder Head
	#56504421	1	Solenoid & Linkage, Shut Down
	#7-24-04089	1	Element, Fuel Filter
	#7-24-04088	1	Filter, Water Separator
	7-82-00052	1	Switch, Water Temperature
	7-82-00055	1	Switch, Oil Pressure (for Murphy Shutdown)
	2-86-00385		Operator Handbook <b>(A-L only)</b>
	2-86-00386		Parts Catalog <b>(A-L only)</b>
	2-86-00406		Service Manual <b>(A-L only)</b>

# = Revised or new since last update

## ENGINE SERVICE PARTS - GM 3.0 GAS/LP

132

7765, 7760

08-3

Item	Ref. No.	Qty	Description
	56109000*	1	ECU, 2006 LP Cert 3.0L <b>NOTE 1</b>
	56109113*	1	ECU, 2007 LP Cert 3.0L <b>NOTE 1</b>
	56109001	1	ECU, 2006 Gas Cert 3.0L <b>NOTE 2</b>
	56109114*	1	ECU, 2007 Gas Certified 3.0L <b>NOTE 2</b>
	0795-225	1	Harness, 3.0L LP
	0795-228	1	Harness, 3.0L Gas
	0795-220	1	Harness, Engine To Machine Interface
	0795-226	1	Harness, Fuel Temp Extension
	56109002	1	Sensor, Coolant
	56109003	1	Sensor, Crankshaft Position
	56109004	1	Sensor, TMAP
	56109005	1	Sensor, O2 Pre Cat
	56109006	1	Switch, Oil Pressure
	8-69-00013	1	Sender, Water Temp
	8-69-00005	1	Sender, Oil Pressure
	56109007	1	Water Pump
	56109008	1	Oil Pump
	56109009	1	Gasket, Cylinder Head
	56109010	1	Gasket, Valve Cover
	56109011	1	Gasket, Lifter Cover
	56109012	1	Gasket, Intake Manifold
	56109013	1	Plate, Drive, SAE 13T B-B
	56109014	6	Bolt, Drive Plate
	56109015	1	Distributor Assembly (Complete)
	56109016	1	Distributor Cap
	56109017	1	Distributor Rotor
	56109018	1	Ignition Module
	56109019	1	Ignition Coil
	56109020	1	Coil Wire
	56109021	1	Spark Plug Wire Set
	56109022	4	Spark Plug
	56109023	1	Oil Filter
	56109024	1	PCV Valve
	56109025	1	Starter
	56109026	2	Bolt, Starter
	#56305867	1	Alternator
	56109028	1	Belt, Water Pump & Alternator
	56109029	1	Thermostat, 180
	56109030	1	Gasket, Thermostat
	56109032	1	Gasket, Thermostat Housing

# = Revised or new since last update

**NOTE 1:** Use ECU 56109000 for 2006 engine (P/N: 39000558). Use ECU 56109113 for 2007 engine (P/N: 39000653).

**NOTE 2:** Use ECU 56109001 for 2006 engine (P/N: 39000559). Use ECU 56109114 for 2007 engine (P/N: 39000655).

**ENGINE SERVICE PARTS - GM 3.0 GAS/LP (continued)**

08-3

**7765, 7760**

**133**

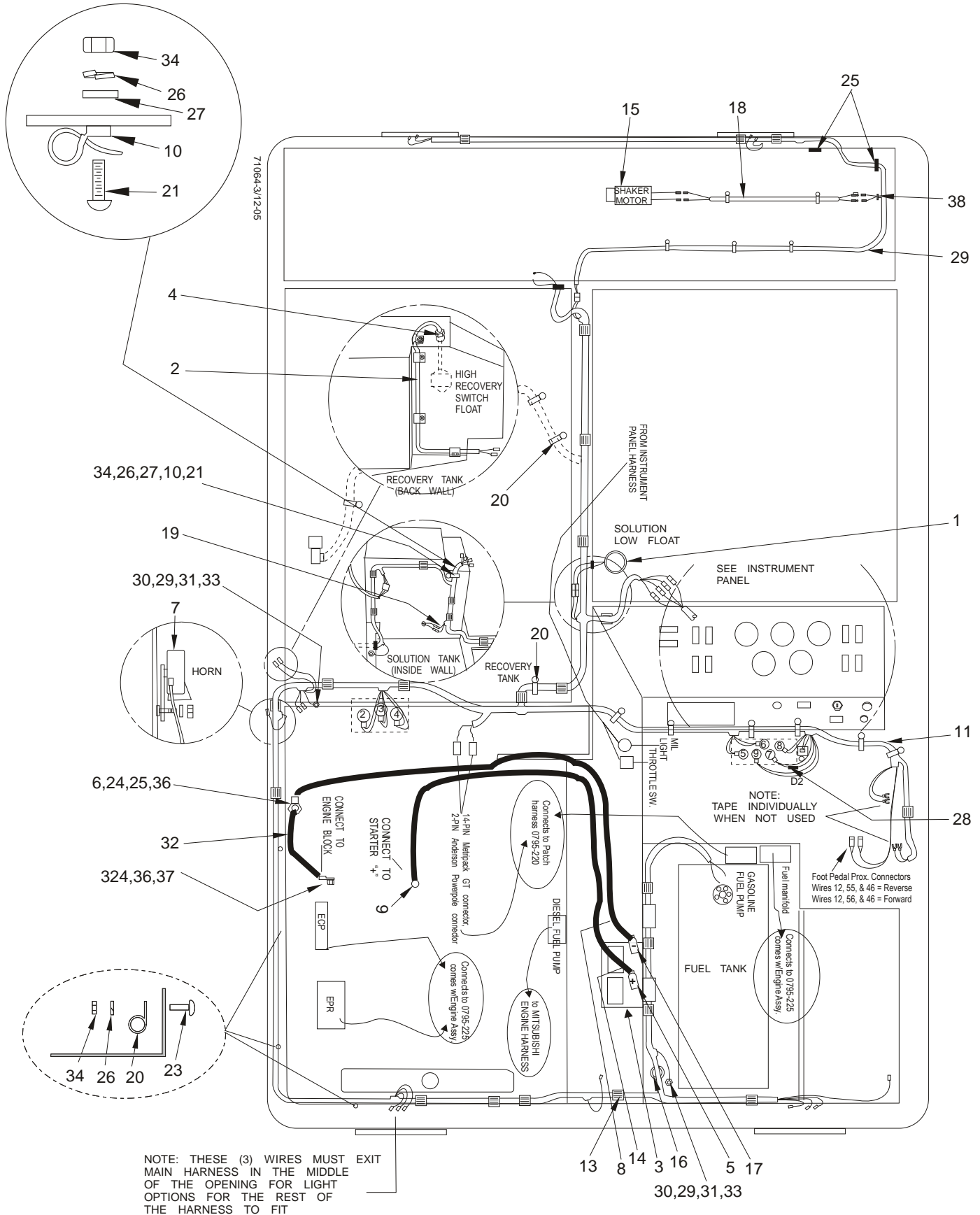
Item	Ref. No.	Qty	Description
	56109033	1	Throttle Body, Bosch 40mm
	56109034	1	Gasket, Bosch Throttle Body
	56109035	1	Mixer, IMPCO Model 100
	56109036	1	Gasket, Adapter – Mixer
	56109040	1	Adapter, Mixer - Throttle Body
	56109041	2	Seal, Mixer Adapter
	56109042	1	O-Ring, Mixer Adapter
	56109043	1	Electronic Pressure Regulator (EPR)
	56109044	1	Sender, LPG Temp - EPR
	56109045	1	Fitting Kit - EPR
	56109046	3	Isolator, EPR
	56109047	1	Hose, Water - EPR
	7-88-00110	1	Valve, LP Safety
	56109048	1	Connector, Safety Valve
	56109049	1	Lock, Safety Valve Connector
	56305410	1	Filter, Propane
	56109050	1	Fuel Rail Assembly
	56109051	4	Fuel Injector
	#56109185	1	Intake Manifold, GM 3.0L
	#56508791	1	Intake Gasket
	#56109186	1	Exhaust Manifold, GM 3.0L
	#56109284	1	Exhaust Manifold Gasket
	#56109187	A/R	Head Bolt
	#56504459	A/R	Seal, Front Crankshaft
	56109084		Engine Service Kit
	56109085		Engine Service Manual

# = Revised or new since last update

# MACHINE HARNESS ROUTING DIAGRAM (GAS/LP/DIESEL)

134

7765, 7760



**MACHINE HARNESS ROUTING DIAGRAM (GAS/LP/DIESEL)**

**7765, 7760**

**135**

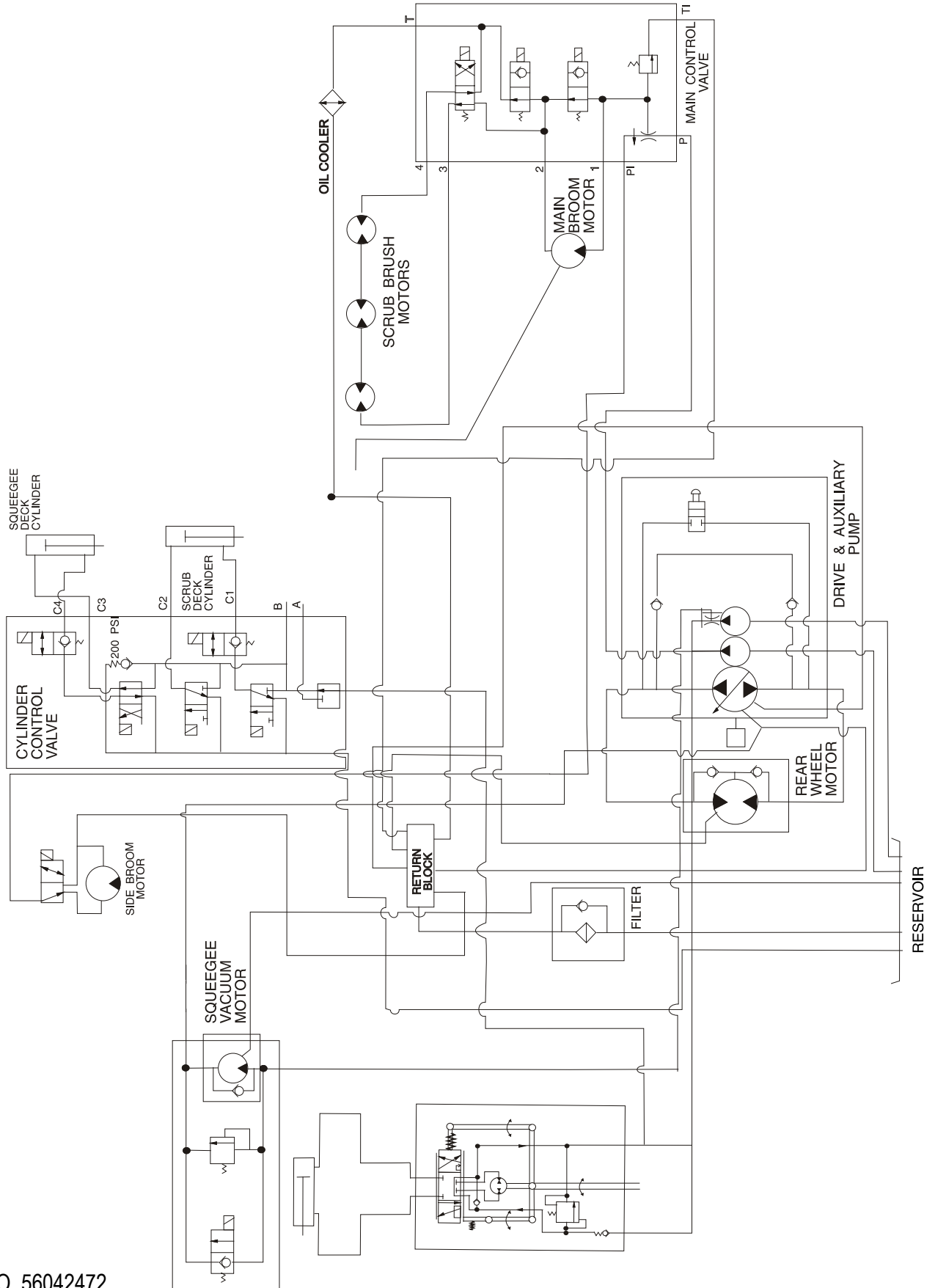
Key No.	Ref. No.	Qty	Description
1	7-82-00017	Ref.	Switch, Float (Solution Low)
2	7-82-00021	Ref.	Switch, Float (Rec. High)
3	0875-008	Ref.	Battery (Gas/LP Only)
	0875-057	Ref.	Battery (Diesel Only)
4	8-09-01083	1	Bushing, Connector (Liquid Tight)
5	2-00-05171	Ref.	Boot, Protective (Red)
6	2-00-00232	Ref.	Screw, 3/8-16 x .75 HHC
7	8-32-09013	Ref.	Horn
8	7-90-07515	Ref.	Cable, Battery (Negative)(Gas/LP)
	7-90-07262	Ref.	Cable, Battery (Negative)(Diesel)
9	2-00-04952	1	Boot, Protective (Red)
10	2-00-04937	1	Tie, Cable
11	0795-187	1	Harness, Machine
12	2-00-03060	Ref.	Screw, #10-24 x .25 THMS
13	7-13-07096	33	Clamp, Adjustable
14	7-90-07514	Ref.	Cable, Battery (Positive)(Gas/LP)
	7-90-07280	Ref.	Cable, Battery (Positive)(Diesel)
15	0880-705	Ref.	Motor, Shaker
16	8-09-01081	1	Bushing, Snap
17	2-00-05173	Ref.	Boot, Protective (Black)
18	8-90-07433	1	Wire Assembly, Hopper (HO - WA)
19	2-00-04551	2	Terminal, .156 Male Bullet
20	2-00-04602	3	Clamp
21	2-00-03061	Ref.	Screw, #10-24 x .50 RHM
22	2-00-04345	30	Ty-Rap
23	2-00-00056	Ref.	Screw, #10-24 x .75 THM
24	2-00-03829	Ref.	Lock Washer, 3/8 Int./Ext.
25	2-00-02360	Ref.	Nut, 3/8-16 Hex
26	2-00-00519	5	Lock Washer, #10
27	2-00-00460	Ref.	Flat Washer, #10
28	0875-087	1	Diode Assembly (D2)
29	2-00-00183	2	Screw, 1/4 - 20 x .75 THM
30	2-00-00518	2	Lock Washer, 1/4 ID Helical Spring
31	2-00-00594	2	Nut, 1/4-20 Hex
32	8-90-07328	Ref.	Cable, Ground
33	2-00-00498	2	Lock Washer, 1/4 Ext.
34	2-00-00605	5	Nut, #10-24
35	0795-164	1	Harness, Hopper
36	2-00-00402	2	Flat Washer, 3/8
37	2-00-00319	2	Lock Washer, 3/8 ID Helical Spring
38	2-00-03878	1	Grommet

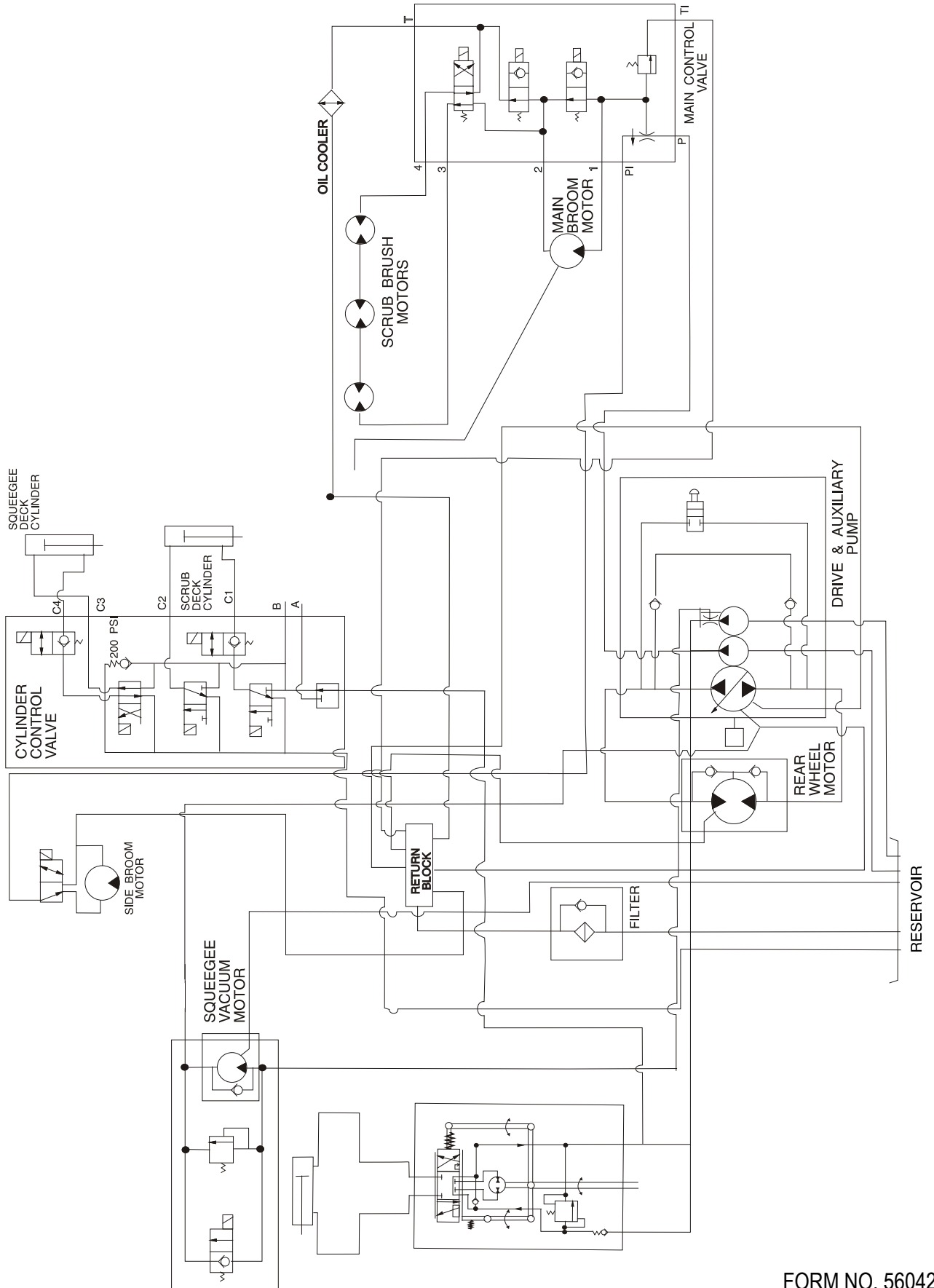
71064-3

HYDRAULIC SCHEMATIC (VARIABLE DUMP)

136

7765, 7760

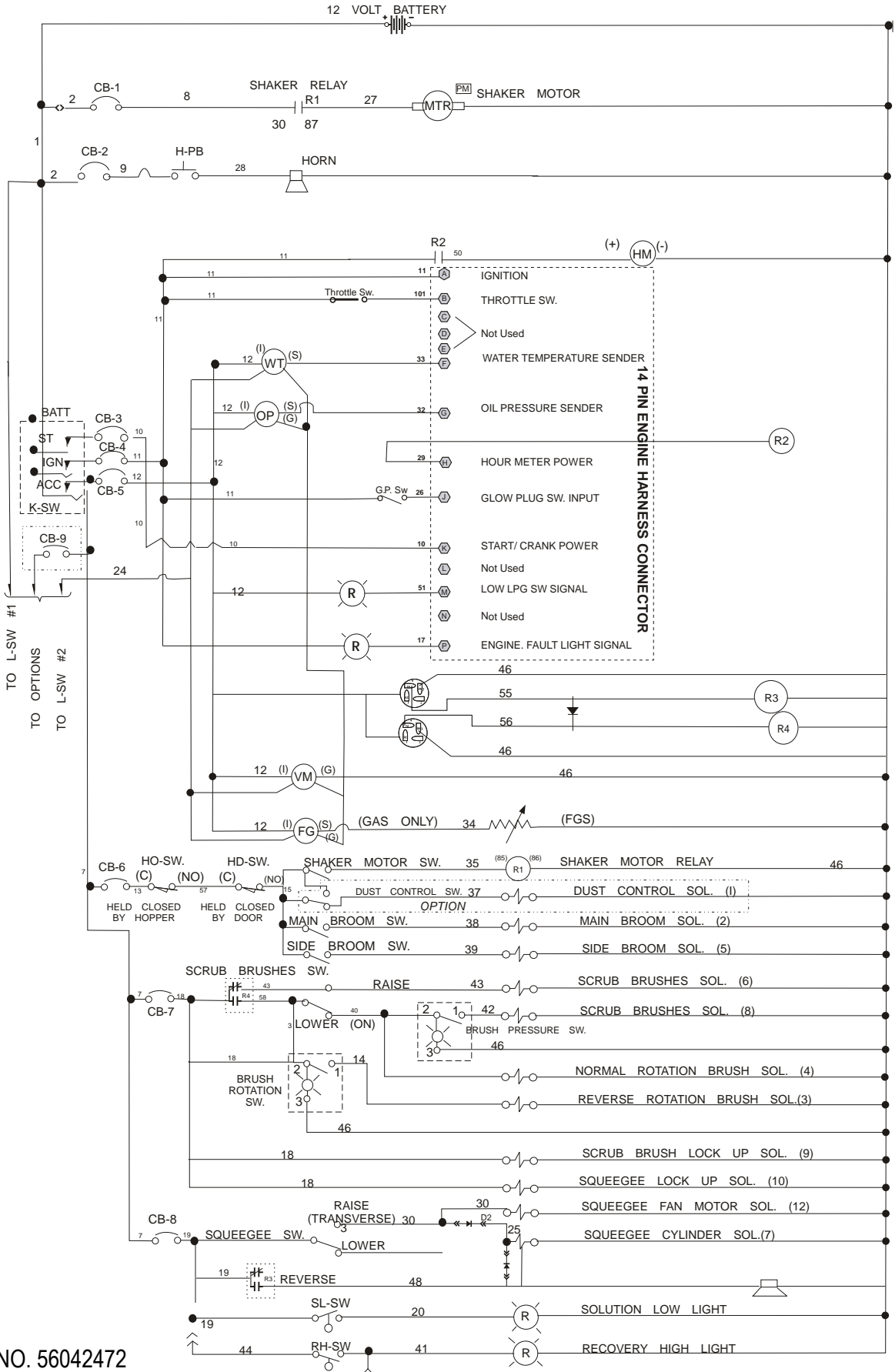




# ELECTRICAL SCHEMATIC (GAS/LP/DIESEL)

138

7765, 7760





## **American-Lincoln®**

14600 21<sup>st</sup> Avenue North  
Plymouth, MN 55447-3408  
[www.americanlincoln.com](http://www.americanlincoln.com)  
Phone: 800-331-7692  
Fax: 877-877-2586  
©2008 American-Lincoln