



Electronic Service Manuals

This electronic document is provided as a service to our customers. We do not create the contents of the information contained in this document. Should you have detailed questions pertaining to the information contained in this document, you may contact Michco, or the manufacturer which provided the original information in this electronic deliverable. Michco's only part in this electronic deliverable was the electronic assembly process.

You may contact Michco through the following methods:
Phone (517) 484-9312 or (800) 331-3339 MI, OH, IN only
2011 N. High St. -- Lansing, Michigan -- 48906
Fax: (517) 484-9836
Email: CustServ@Michco.com
Web site: www.Michco.Com
Parts Web site: www.FloorMachineParts.Com

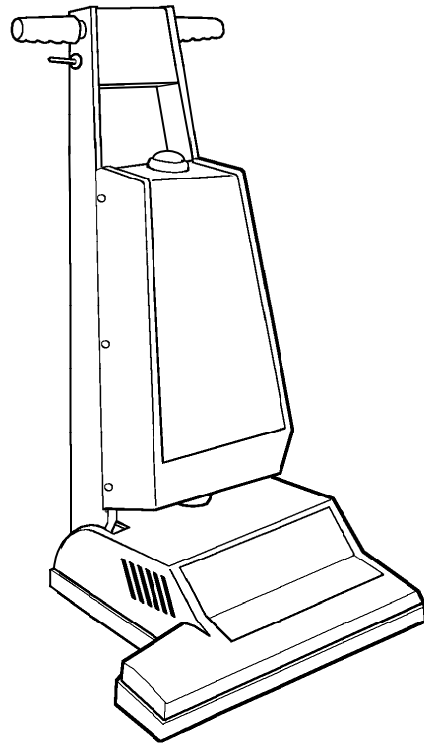
Order Parts on Line at:
www.FloorMachineParts.Com

Directly to Parts & Service:
By Email: **Shop@Michco.com**
By Fax: (517) 702-2041
By Voice: Use numbers above.

Serving the Cleaning Industry Since 1922

Notice: All copyrighted material remains property of original owners, all trademarks are property of respective owners. Manuals are subject to Manufacturer's reproduction limitations. Originals or reproductions were provided by manufacturers through a request. We make no warranty as to the correctness of information provided in this document and you assume all risk.

SH 460



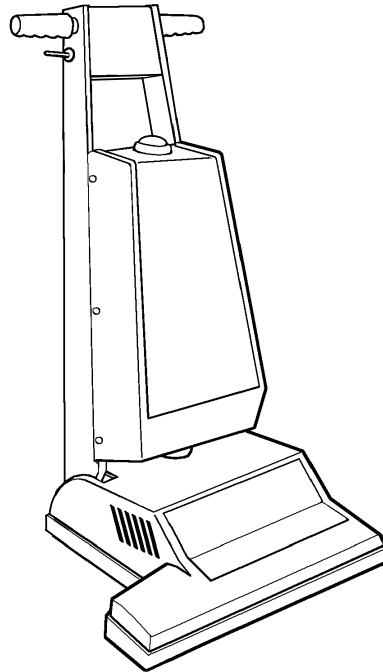
PARTS LIST **Nilfisk MODEL 56245350**



Nilfisk
Advance
setting standards

6/97 revised 11/99 FORM NUMBER 56042330
BOOK C SECTION 3.3.1

97-6	TABLE OF CONTENTS	BOOK C		
99-11	SH 460	C	3.3.1	1

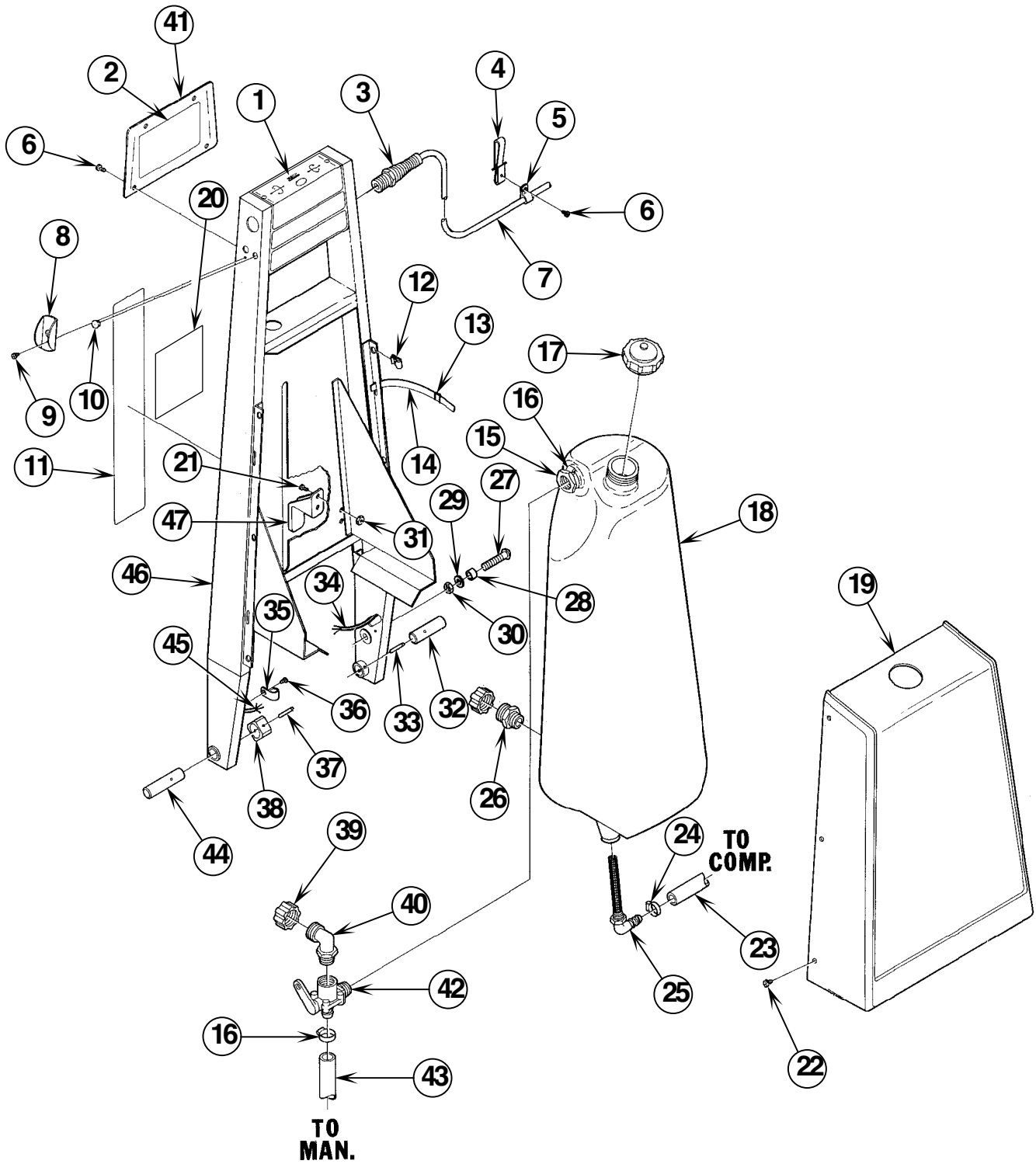


DESCRIPTION	PLAN
Handle - Front	C-3.3.1-3
Handle - Rear.....	C-3.3.1-5
Base Assembly	C-3.3.1-7
Brush and Adjustment Linkage.....	C-3.3.1-9
Compressor.....	C-3.3.1-11
Wiring Diagram	C-3.3.1-13

WHEN ORDERING PARTS

- * Use the 8 digit numbers from the "Ref. No." columns in this parts list.
- * Specify the model and serial number of the machine.
- * Use the space below to record the model and serial number for future reference.

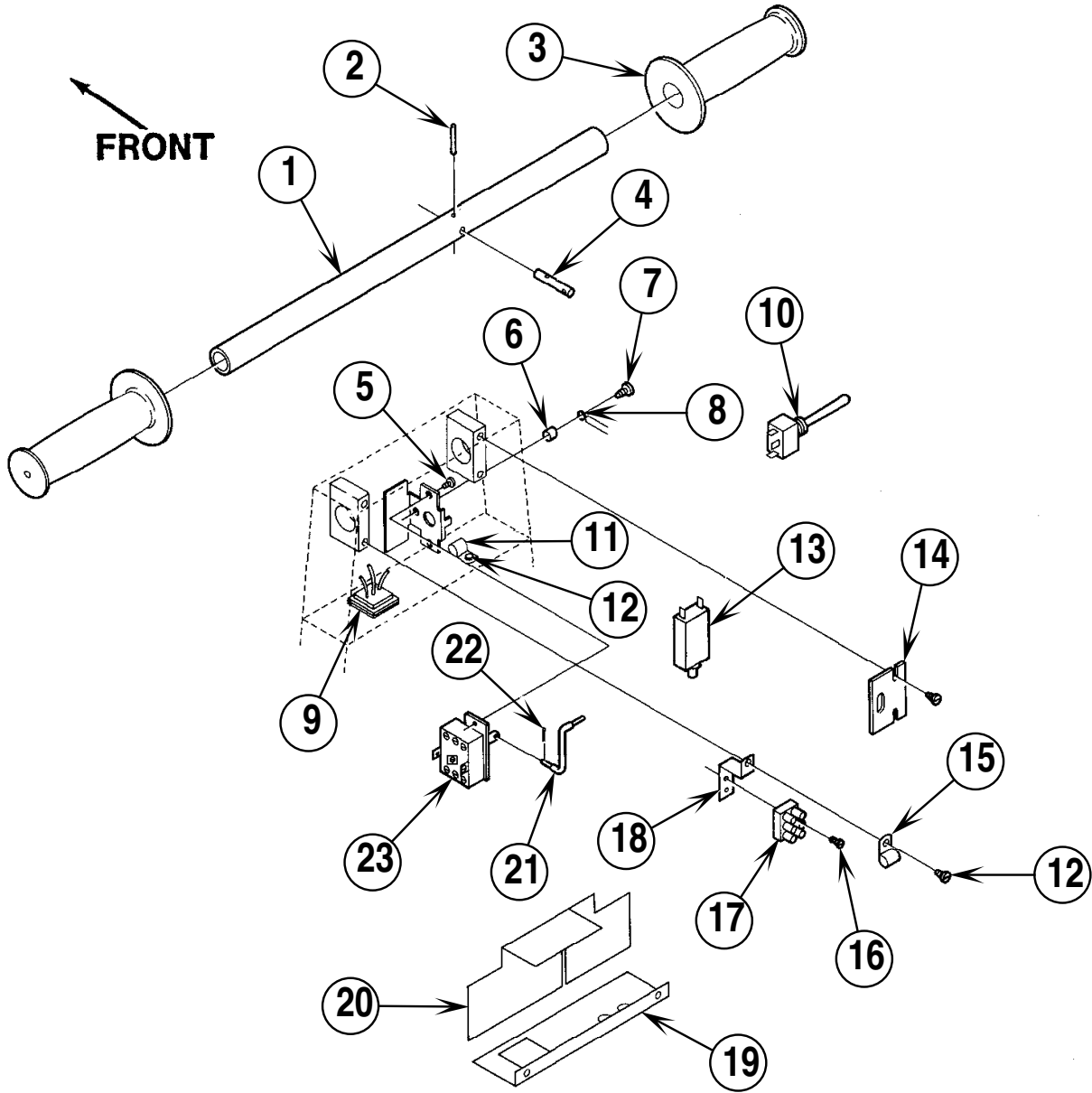
Model _____ Serial No. _____



97-6	HANDLE - FRONT	BOOK C		
99-11	SH 460	C	3.3.1	3

Item	Ref. No.	Qty	Description
	56245354	1	Handle Assy
1	56015988	1	Decal, Handle
2	56014593	1	Decal, Wiring
3	56323046	1	Strain Relief
4	56300187	1	Belt Clip
5	56300152	1	Clamp
6	56009161	5	Scr, Pan Phil Thd Form 8-32 x .50
7	56244835	1	Cord Set (includes 4-6)
8	56200352	1	Switch Guard
9	56001904	1	Scr, Pan Phil 6-32 x .38
10	56153648	1	Button Plug
11	56015285	1	Decal, Gauge
12	56255874	6	Nut
13	56245013	2	Buckle
14	56245041	8'	Strap (244 cm)
15	56244976	1	Tube
16	56244969	3	Hose Clamp
17	56244866	1	Cap
18	56244851	1	Tank
19	56245322	1	Shroud
20	56015093	1	Decal, Caution
21	56002453	2	Scr, Pan Phil 10-24 x .25
22	56001818	6	Scr, Pan Phil 8-32 x .38
23	56244967	1	Hose
24	56219932	3	Hose Clamp
25	56244987	1	Bubbler
26	56244980	1	Adapter
27	56002721	1	Scr, Hex Hd 5/16-18 x 2.00
28	56244941	1	Bushing
29	56002220	1	Wsh, Ft Std 5/16
30	56002701	1	Nut, Hex Nyl Loc 5/16-18
31	56002832	2	Nut, Hex Nyl Loc-Thin 10-24
32	56244858	1	Pin
33	56001932	1	Pin, Spr .19 x .88
34	56244829	1	Cord Set
35	56442011	2	Clamp
36	56009075	2	Scr, Hex Thd Form 8-32 x .38
37	56002082	1	Pin, Spr .19 x 1.00
38	56244834	1	Cam
39	56255076	2	Cap
*	56368776	2	Rubber Washer
40	56245072	1	Elbow
41	56245321	1	Cover
42	56245078	1	Valve
43	56245018	1	Tube
44	56244873	1	Pin
45	56245043	1	Cord Set
46	56245323	1	Handle
47	56392765	1	Cord Hook
*	56220426	1	Funnel
*	56218881	1	Brush

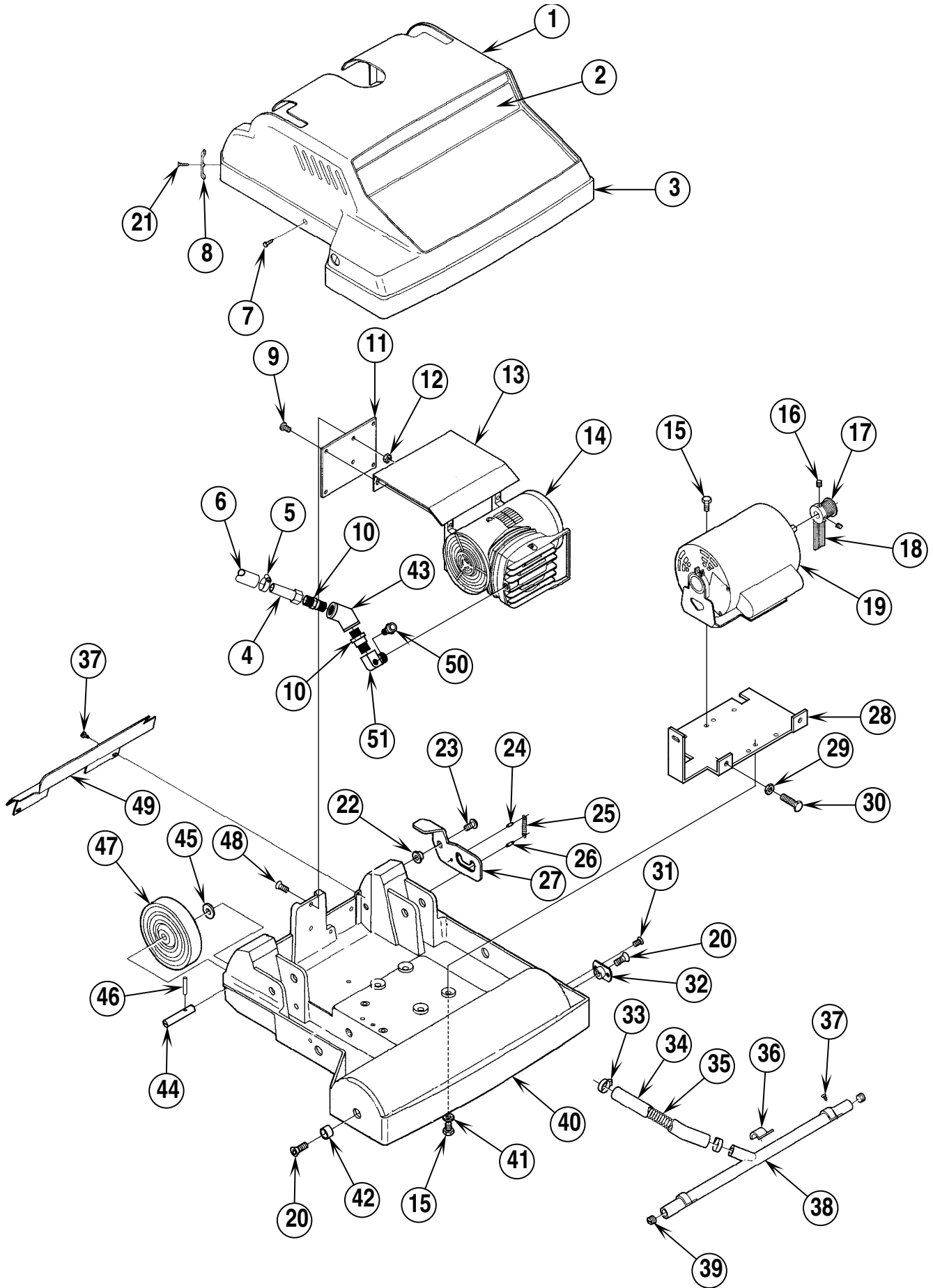
* = Not Shown



97-6	HANDLE - REAR	BOOK C		
99-11	SH 460	C	3.3.1	5

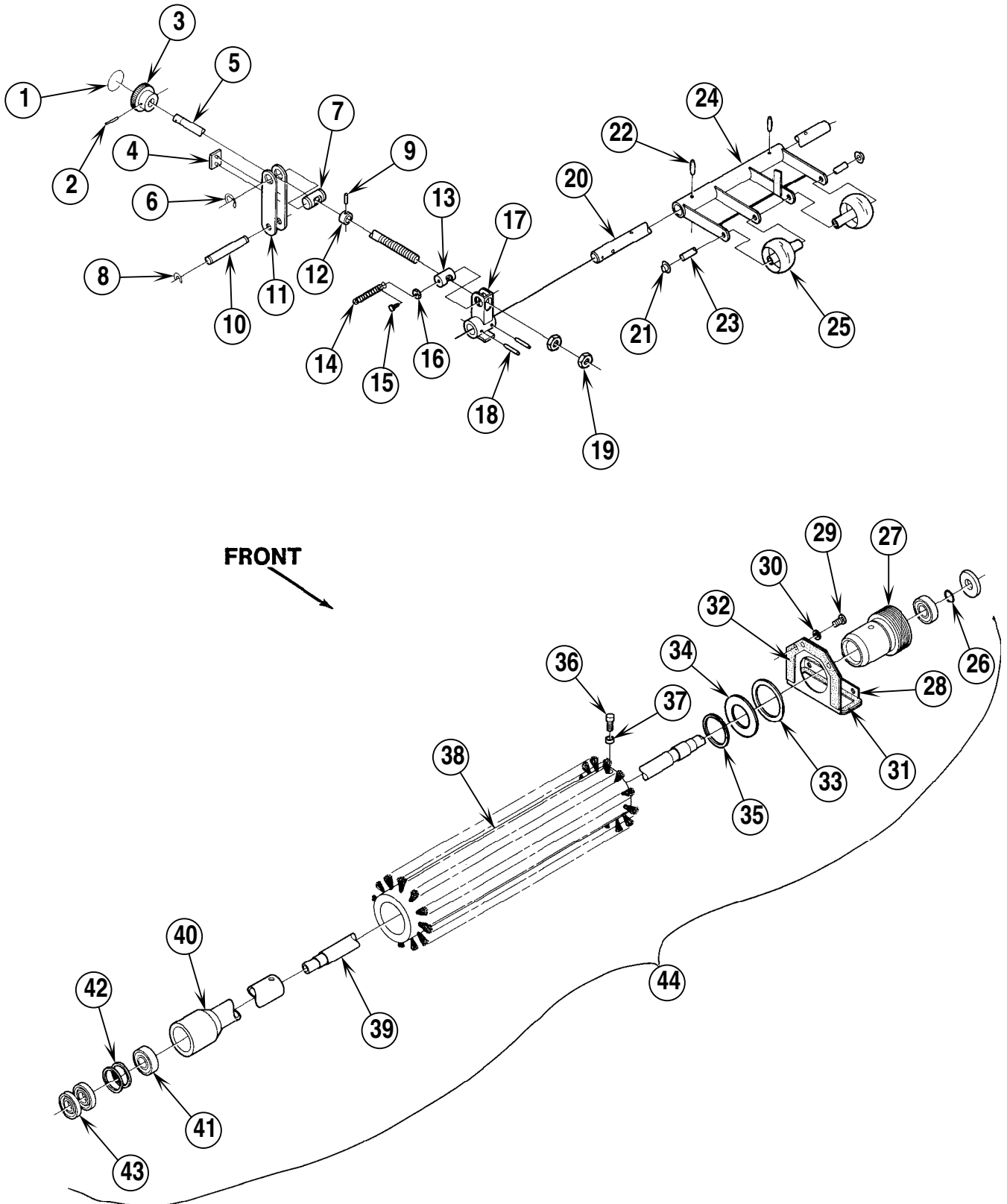
Item	Ref. No.	Qty	Description
1	56245002	1	Tube
2	56002291	1	Pin, Spr .12 x 1.00
3	56900248	2	Grip
4	56245004	1	Pin
5	56009032	2	Scr, Hex Thd Form 6-32 x .38
6	56369004	1	Bushing
7	56001993	1	Scr, Pan Phil 10-24 x .50
*	56002768	1	Nut, Hex Nyl Loc 10-24
8	56245060	1	Spring
9	56254223	1	Receptacle (optional)
10	56468350	1	Switch
11	56442011	2	Clamp
12	56009075	4	Scr, Hex Thd Form 8-32 x .38
*	56002865	1	Nut, Hex Nyl Loc-Thin 8-32
13	56387562	1	4A Circuit Breaker
14	56245000	1	Plate
15	56300152	1	Clamp
16	56002251	2	Scr, Pan Phil 4-40 x .62
17	56183523	1	Terminal Block
18	56245333	1	Bracket
19	56244955	1	Insulator
20	56244952	1	Insulator
21	56244996	1	Link
22	56002245	2	Pin, Cotter .06 x .50
23	56221155	1	Switch

* = Not Shown



97-6	BASE ASSEMBLY	BOOK C		
99-11	SH 460	C	3.3.1	7

Item	Ref. No.	Qty	Description	Item	Ref. No.	Qty	Description
	56245351	1	Shroud Assembly	26	56151122	1	Pin
1	56245352	1	Shroud	27	56244936	1	Latch
2	56015987	1	Decal, Base	28	56245186	1	Plate
3	56244956	1	Bumper	29	56009085	2	Nut, Hex Jam 3/8-16
4	56752754	1	Barb	30	56002058	2	Scr, Hex Hd 3/8-16 x 2.25
5	56756364	1	Hose Clamp	31	56009040	2	Scr, Flt Phil 10-24 x .38
6	56244935	1	Hose	32	56218111	1	Support
7	56009042	3	Scr, Pan Phil Thd Form 10-24 x .62	33	56244969	2	Hose Clamp
8	56244846	3	Clip	34	56245018	1	Tube
9	56002503	4	Scr, Hex Hd 10-24 x .50	35	56245010	1	Spring
10	56218510	2	Check Valve	36	56245076	1	Strap
11	56245306	1	Plate	37	56009012	8	Scr, Hex Thd Form 10-24 x .38
12	56002768	2	Nut, Hex Nyl Loc 10-24	38	56245068	1	Manifold
13	56245312	1	Shield		56220088	4'	Gasket (1220 mm)
14	56219215	1	Compressor	39	56261421	2	Plug
	56237647	1	Comp Assy	40	56245304	1	Base
			(#14,4-6, 10, 43 & 50-51)	41	56002220	4	5/16 Washer
15	56002923	8	Scr, Hex Hd Loc 5/16-18 x .50	42	56218146	1	Collar
16	56002021	2	Scr, Soc Set Loc 5/16-18 x .38	43	56220526	1	Coupler
17	56245605	1	Sheave	44	56245347	2	Axle
18	56245608	1	Belt	45	56001879	8	Washer
19	56218529	1	Motor	46	56003220	2	Pin
20	56002159	2	Scr, Flt Hd Soc 5/16-18 x 1.00	47	56161691	2	Wheel
21	56009065	3	Scr, Flt Phil Thd Form 10-24 x .50	48	56009127	2	Scr, Flt Phil Thd Form 10-24 x .62
22	56320595	1	Bushing	49	56245306	1	Cover
23	56002929	5	Scr, Hex Hd 5/16-18 x .62	50	56257990	1	Relief Valve
24	56244939	1	Pin	51	56219798	1	Elbow
25	56321087	1	Spring				



FRONT
↘

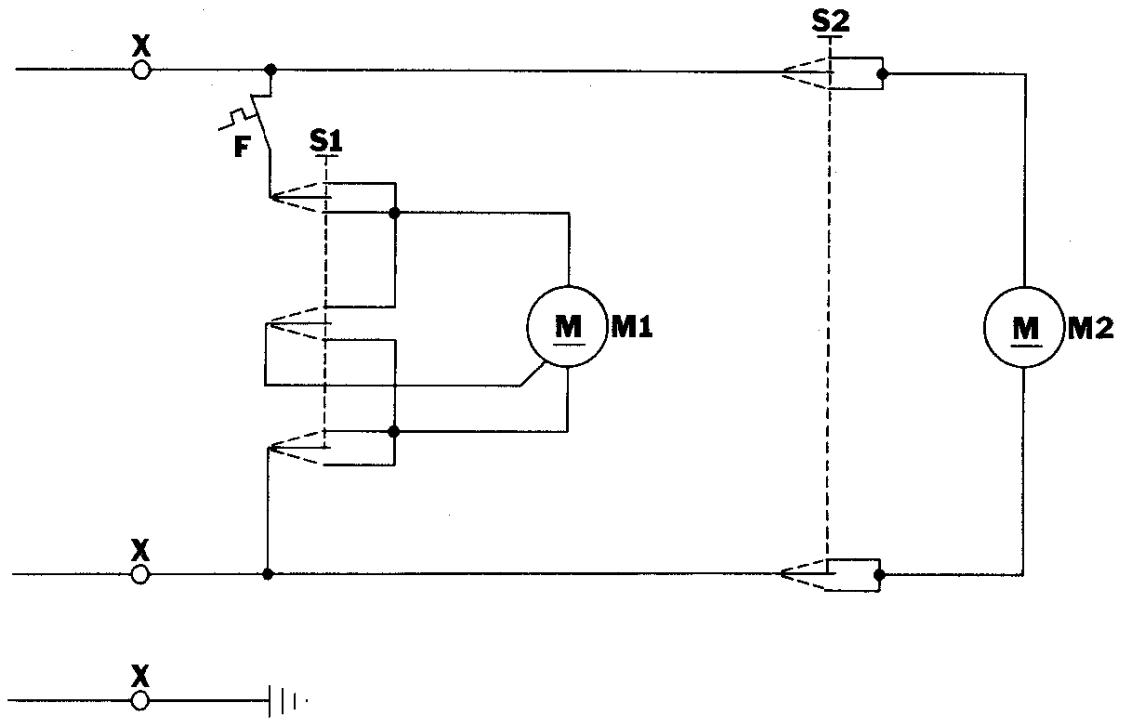
97-6	BRUSH AND ADJUSTMENT LINKAGE	BOOK C		
99-11	SH 460	C	3.3.1	9

Item	Ref. No.	Qty	Description
	56245339	1	Control Assembly (#1-19)
1	56023092	1	Decal, Brush
2	56002291	1	Pin, Spr .12 x 1.00
3	56395061	1	Knob
4	56362069	1	Wear Plate
5	56244861	1	Screw
6	56003265	2	Retaining Ring
7	56245030	1	Swivel
8	56003262	2	Retaining Ring
9	56002474	1	Pin, Spr .12 x .62
10	56244865	1	Pin
11	56244854	1	Arm
12	56245022	1	Collar
13	56219169	1	Nut
14	56379301	1	Spring
15	56003128	1	Scr, Hex Hd 8-32 x .38
16	56002808	1	Nut, Hex Nyl Loc 8-32
17	56244869	1	Lever
18	56002082	2	Pin, Spr .19 x 1.00
19	56009035	2	Nut, Hex Jam 7/16-14
20	56244896	1	Shaft
21	56009132	2	Cap, Stud
22	56001932	2	Pin, Spr .19 x .88
23	56244810	1	Pin
24	56244884	1	Bracket
25	56323086	2	Wheel
26	56217999	1	Retaining Ring
27	56245602	1	Sheave
28	56244898	1	Shield
29	56002124	4	Scr, Pan Phil 10-24 x .62
30	56009011	4	Wsh, Int Shprf #10
31	56244905	1	Gasket
32	56244903	1	Gasket
33	56220965	1	Washer
34	56217875	1	Seal
35	56218448	1	Retaining Ring
36	56003200	2	Scr, Soc Hd SS 1/4-28 x .75
37	56368997	2	Bushing
38	56244928	1	Brush
39	56244926	1	Shaft
40	56244930	1	Sleeve
41	56372773	2	Bearing
42	56220108	2	Spacer
43	56218049	3	Seal
44	56244961	1	Brush Assembly (#26-43)

97-6	COMPRESSOR	BOOK C		
99-11	SH 460	C	3.3.1	11

Item	Ref. No.	Qty	Description
	56219215	1	Compressor
1		6	Scr, Fillister Hd 10-24 x .50
2		8	#10 washer
3	56220951	1	Head
4		2	Scr, Rd Hd 6-32 x .12
5	56220963	2	Valve Keeper
6	56220955	2	Flapper Valve
7	56220958	1	Intake Valve Plate
8	56220532	1	Connecting Rod
9	56002487	1	Scr, Soc Hd 10-24 x .75
10	56220528	1	Con Rod Bearing
11	56220516	1	Screen
12		2	Scr, Rd Hd 10-24 x .75
13	56220513	1	Filter
14	56009036	1	Scr, Pan Phil Thd Form 8-32 x .25
15	56220529	2	Bearing
16	56220534	1	Shaft & Rotor Assy
17	56220519	1	Stator
18	56321737	2	Wire Nut
19	56163015	1	Strain Relief
20	56220535	1	End Cap
21	56220950	1	Diaphragm
22	56002306	8	Scr, Flt Phil 8-32 x .38
23	56220930	1	Exhaust Valve Plate
24	56220953	1	Gasket

230V



97-6	WIRING DIAGRAM	BOOK C		
99-11		SH 460	C	3.3.1

Item	Ref. No.	Qty	Description
X	56183523	1	Terminal Block
S1	56221155	1	Switch
S2	56468350	1	Switch
F	56387562	1	Circuit Breaker 4A
M1	56218529	1	Brush Motor
M2	56219215	1	Compressor Motor

DANMARK

Nilfisk-Advance Nordic A/S
 Myntevej 3, 8900 Randers
 ☎ 86 42 84 33 – Fax 86 41 19 55

NORGE

Nilfisk-Advance AS
 Enebakkn, 119, 0680 Oslo, Postboks 196, Manglerud,
 0612 Oslo
 ☎ 22 08 63 50 – Fax 22 08 63 63
 Distriktsrepresentanter over hele landet

SVERIGE

Nilfisk-Advance AB
 Sjöbjörnsvägen 5, 117 67 Stockholm
 ☎ 085 55 944 00 – Fax 085 55 944 30

FINLAND/ SUOMI

BERNER Ltd. Facotek Department
 Etäleranta 4B, 00130 Helsinki
 ☎ +358 9 1345 1382

AUSTRALIA

Nilfisk-Advance Pty. Ltd.
 ACN 003 762 623
 Head office: 17 Leeds Street, Rhodes, N. S. W. 2138
 ☎ (02) 9736 1244 – Fax (02) 9736 3910
 Customer Responce Centre:
 ☎ 1 800 011 013

BELGIQUE / BELGIË/ LUXEMBOURG

Nilfisk-Advance s.a./n.v.
 Doornveld/ Sphere Business Park
 Industrie Asse 3, nr 11 – bus 41
 1731 Zellik-Asse
 ☎ (02) 467.60.50 Fax (02) 463.44.16

CANADA

Nilfisk-Advance Ltd.
 396 Watline Avenue
 Mississauga, Ontario L4Z 1X
 ☎ (905) 712-3260 – Fax (905) 712-3255

DEUTSCHLAND

Nilfisk-Advance AG
 Siemensstraße 25-27
 25462 Rellingen
 ☎ (041 01) 3990 – Fax (04101) 399191
 Zentraler Kundenservice
 ☎ für die Industrie: 0180 535 67 97
 ☎ Institutionen und Gebäudereiniger: 0180 500 11 70

FRANCE

Nilfisk-Advance S.A.
 BP 246
 91944 Courtaboeuf Cedex
 ☎ (01) 69.59.87.00 Télécopie (01) 69.59.87.01

HONG KONG

Nilfisk-Advance Ltd.
 2001, 20/F HK Worsted Mills
 Industrial Building
 31-39 Wo Tong Tsui Street
 Kwai Chung, N.T.
 ☎ 2427 59 51 – Fax 2487 5828

IRELAND

Nilfisk-Advance Ltd.
 28 Sandyford Office Park
 Dublin 18
 ☎ +353 1 2943838 – Fax +353 1 2943845

JAPAN

Nilfisk-Advance Inc.
 3-4-9 Chigasaki Minami
 Tsuzuki-Ku Yokohama 224
 ☎ 045-942-7741 – Fax 045-942-6545

MALAYSIA

Nilfisk-Advance Sdn Bhd
 Lot 2, 1st. Floor
 Lorong 19/1A
 46300 Petaling Jaya
 Selangor Darul Ehsan
 ☎ 03-7568188 / 03-7568189 / 03-7568388 – Fax 03-7566828

NEDERLAND

Nilfisk-Advance B.V.
 Flevolaan 7, Postbus 341
 1380 AH Weesp
 ☎ 0294-462121 – Fax 0294-430053

NEW ZEALAND

Nilfisk-Advance Limited
 477 Great South Road, Penrose
 Auckland
 ☎ (09) 525 0092 – Fax (09) 525 6440

SCHWEIZ / SUISSE

Nilfisk-Advance AG
 Ringstrasse 19, 9533 Kirchberg/Wil
 ☎ 719 23 52 83 – Fax 719 23 84 44

SINGAPORE

Nilisk-Advance Pte. Ltd.
 22, Woodlands Industrial Park E1
 Singapore 757740
 ☎ (65) 759 9100 – Fax (65) 759 9133

TAIWAN

Nilfisk-Advance Ltd.
 1 F, No.23, Lane 132, Sec. 2
 Ta An Road, Taipei
 ☎ 700 22 68 – Fax 784 08 43

UNITED KINGDOM

Nilfisk-Advance Limited
 Newmarket Road
 Bury St. Edmunds
 Suffolk IP 33 3SR
 ☎ (01284) 763163 – Fax (01284) 750562

USA

Nilfisk-Advance Inc.
 14600 21st Avenue North
 Plymouth, MN 55447-3408
 ☎ +1 800 989 2235 – Fax 1 800 989 6566

Nilfisk-Advance of America, Inc.

300 Technology Drive
 Malvern, PA 19355
 ☎ (610) 647 647-6427

ÖSTERREICH

Nilfisk-Advance GmbH
 Vorarlberg Allee 46
 1230 Wien
 ☎ 1 616 58 30 – Fax 1 616 58 30 40

ESPAÑA

Nilfisk-Advance, S.A.
 Torre D'Ara
 Passeig del Rengle, 5 Pl.9-10
 E-08302 – Mataró (Barcelona)
 ☎ Tel. 93 741 24 00 – Fax: 93 757 80 20
 Central atención al cliente: 902 200 201
nilfisk@nilfisk-advance.es – www.nilfisk-advance.com
 Distribuidores y Servicio Técnico en toda España y Andorra

ITALIA

Nilfisk-Advance Italia Spa
 Località Novella Terza
 26862 Guardamiglio (LO)
 Italy
 ☎ +39 0377 414067-54 – Fax +39 0377 414097
www.nilfisk-advance.com

PORTUGAL

Nilfisk-Advance Lda.
 Rua Cândido de Figueiredo, 91-i, 1500-133 LISBOA
 ☎ 01/7784142 – Fax 01/7785613
 Porto 02/526766 – Fax 02/520739
 Açores 096/628092/3 – Fax 096/628129
 Madeira 091/228965 – Fax 091/228796

GREECE

Embiom S.A.
 Λεωφ. Βουλιαγμένης 60
 Αργυρούπολη
 164 52 Αθήνα
 ☎ 9950613 - Fax 9951680



Material composition of the Nilfisk SH 460

