



Electronic Service Manuals

This electronic document is provided as a service to our customers. We do not create the contents of the information contained in this document. Should you have detailed questions pertaining to the information contained in this document, you may contact Michco, or the manufacturer which provided the original information in this electronic deliverable. Michco's only part in this electronic deliverable was the electronic assembly process. By providing this manual on line we are not guaranteeing parts availability.

You may contact Michco through the following methods:

Phone (517) 484-9312 or (800) 331-3339

2011 N. High St. -- Lansing, Michigan -- 48906

Fax: (517) 484-9836

Email: CustServe@Michco.com

Web site: www.Michco.Com

Parts Web site: www.FloorMachineParts.Com

Order Parts on Line at:

www.FloorMachineParts.Com

Directly to Parts & Service:

By Email: **Shop@Michco.com**

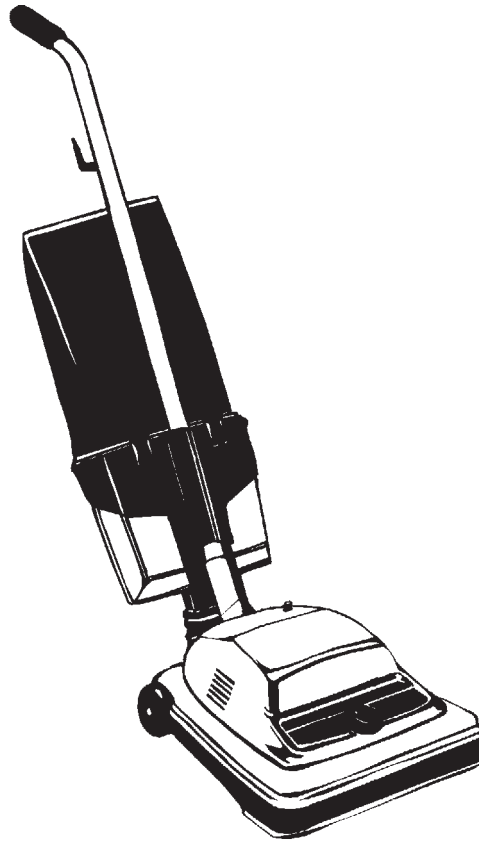
By Fax: (517) 702-2041

By Voice: Use numbers above.

Serving the Cleaning Industry Since 1922

Notice: All copyrighted material remains property of original owners, all trademarks are property of respective owners. Manuals are subject to Manufacturer's reproduction limitations. Originals or reproductions were provided by manufacturers through a request. We make no warranty as to the correctness of information provided in this document and you assume all risk. By placing these manuals on line we are not declaring our corporation to be an manufacturer authorized dealer or provider, please check our web site for authorized manufacturers we represent.

ReliaVac™ 12DC



PARTS LIST

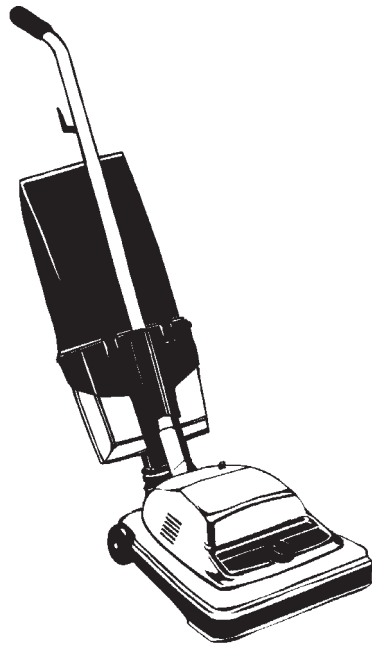
Nilfisk-Advance MODEL 56648070



**Nilfisk
Advance**

setting standards

11/04 revised 9/05 FORM NO. 56042462

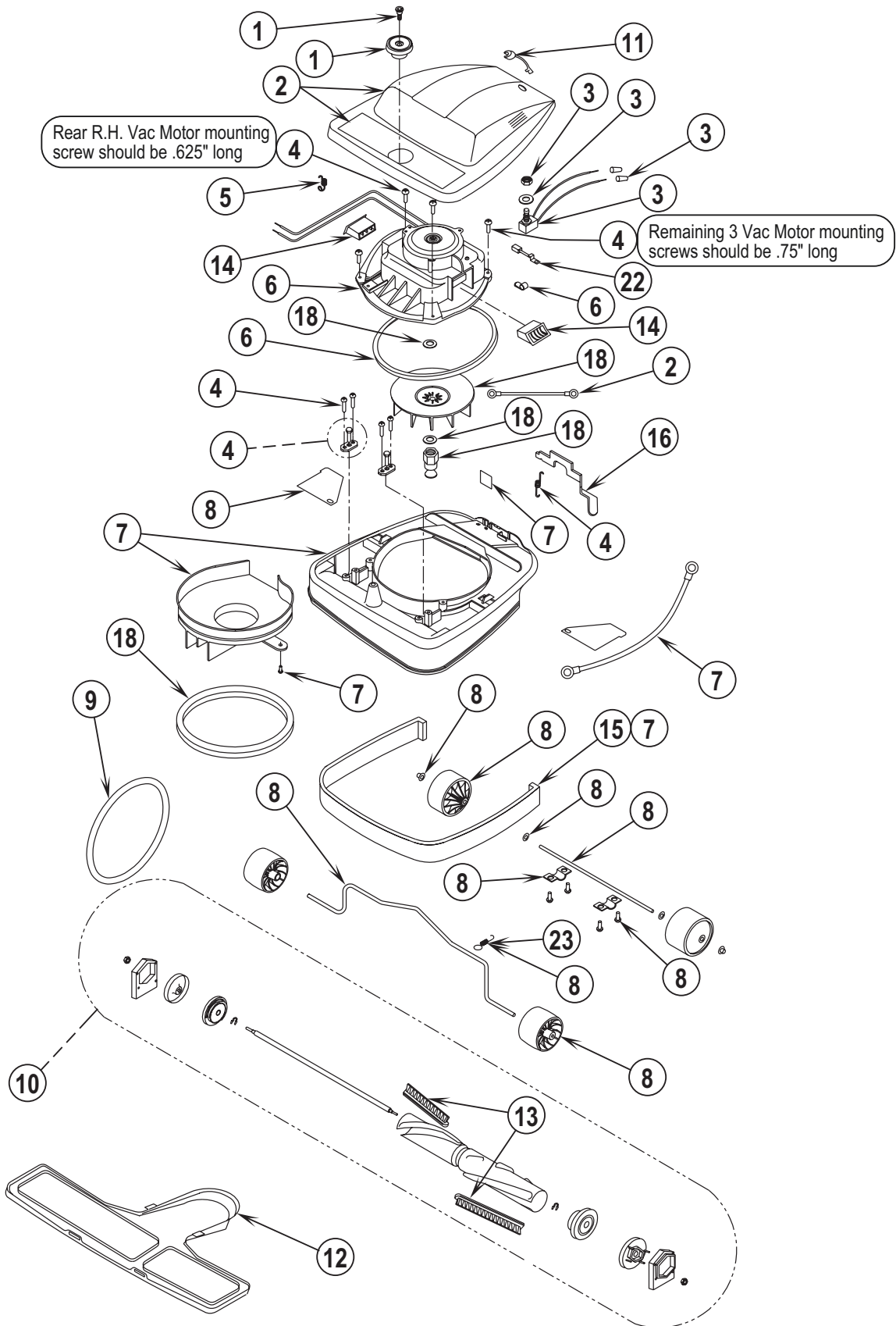


| <u>DESCRIPTION</u> | <u>PAGE</u> |
|-----------------------|-------------|
| Base Assembly..... | 2-3 |
| Handle Assembly | 4-5 |
| Wiring Diagram | 5 |

WHEN ORDERING PARTS

- * Use the 8 digit numbers from the "Ref. No." columns in this parts list.
- * Specify the model and serial number of the machine.
- * Use the space below to record the model and serial number for future reference.

Model _____ Serial No. _____



04-11

BASE ASSEMBLY

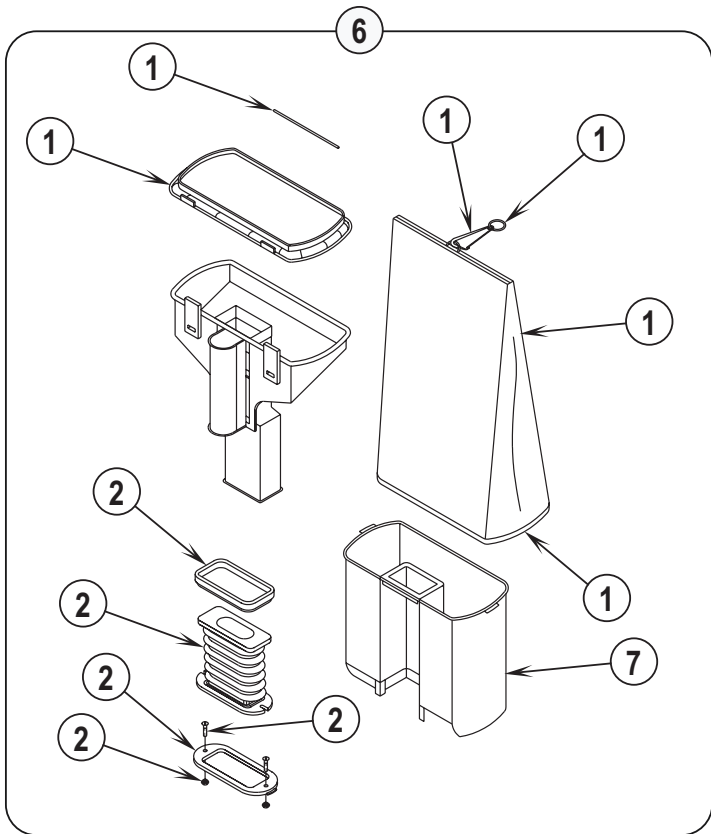
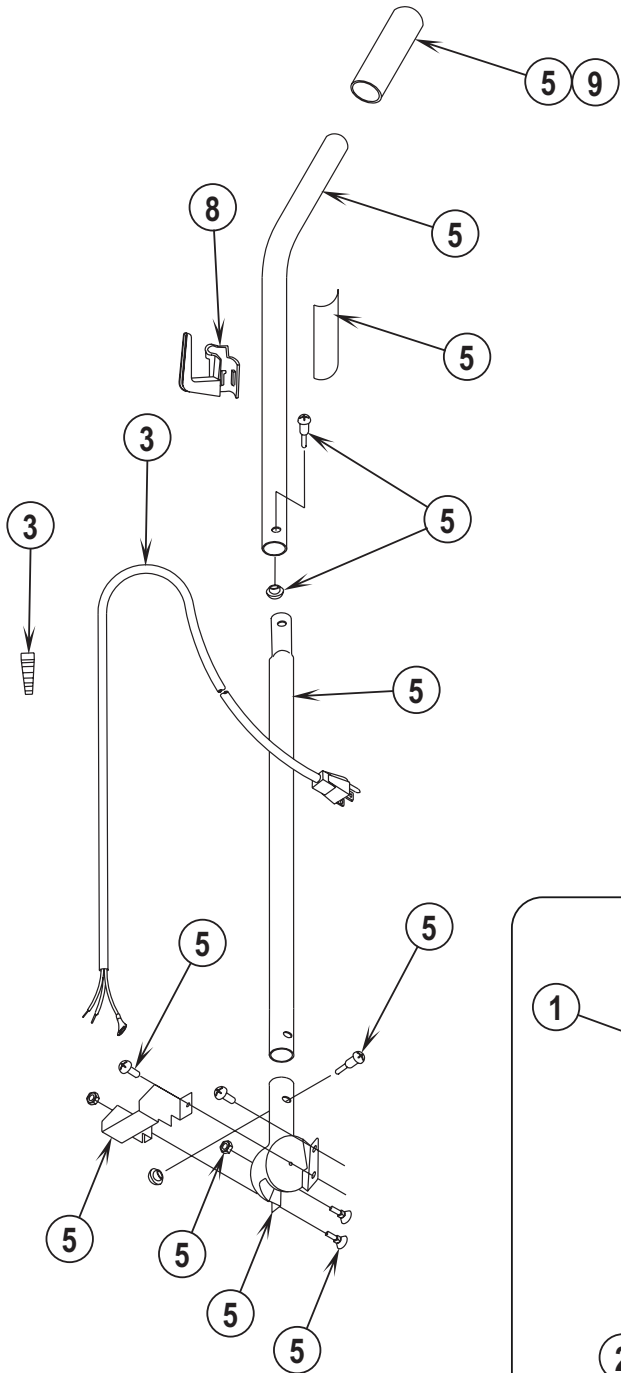
05-9

ReliaVac™ 12DC**3**

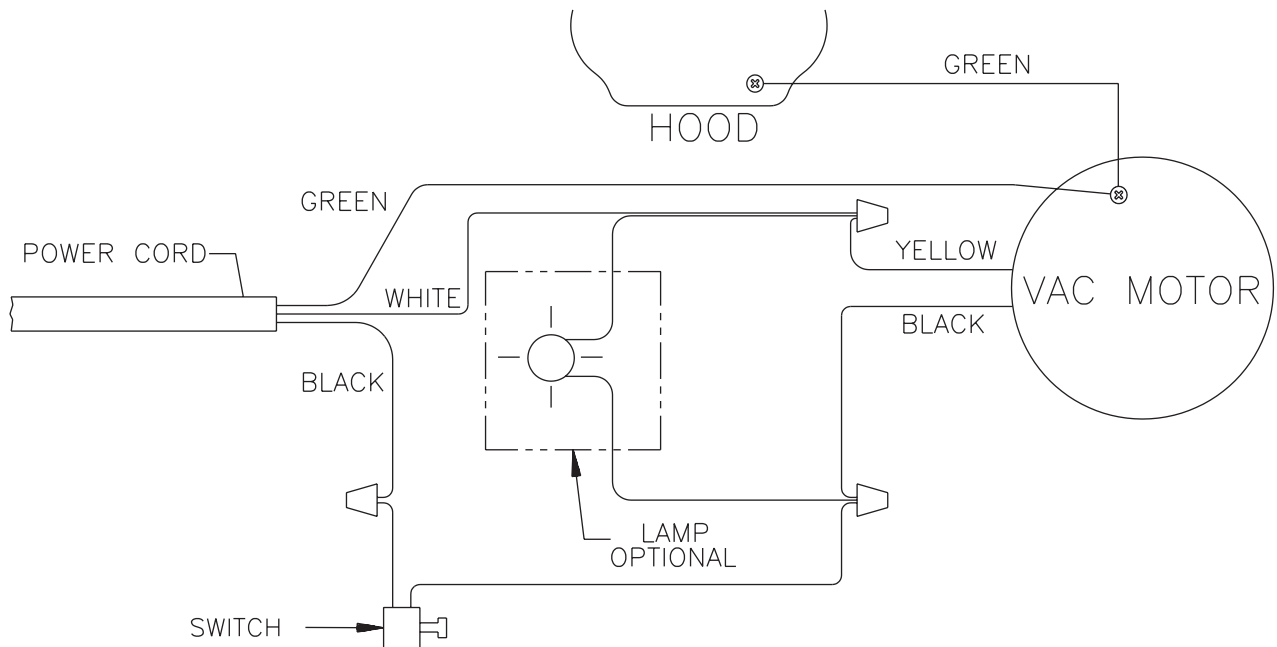
| Item | Ref. No. | Qty | Description |
|------|----------|-----|--|
| 1 | 56648400 | 1 | Brush Height Knob Assembly |
| 2 | 56648401 | 1 | Hood Assembly |
| 3 | 56648405 | 1 | Switch Assembly |
| 4 | 56648410 | 1 | Hardware Kit Base |
| 5 | 56630765 | 2 | Spring, Ext .304d .930l .055wd |
| 6 | 56648406 | 1 | Motor & Seal Assembly |
| 7 | 56648441 | 1 | Base Assembly-12, Dirt Cup |
| 8 | 56648422 | 1 | Wheel Assembly |
| 9 | 56630563 | 1 | Belt-Disturbulator Drive |
| 10 | 56630489 | 1 | Disturbulator, Assembly |
| 11 | 56648417 | 1 | Power Cord Assembly (see #3 on page 5) |
| 12 | 56630478 | 1 | Asm, Plate--Bottom |
| 13 | 56648412 | 1 | Brush Strip Kit |
| 14 | 56648418 | 1 | Air Duct Assembly |
| 15 | 56630508 | 1 | Guard, Furn--Clear Blue, 31.00l |
| 16 | 56630395 | 1 | Pedal, Foot--Uprt, White |
| 18 | 56648420 | 1 | Pulley and Fan Kit |
| 22 | 56630561 | 2 | Carbon Brush, Mtr |
| 23 | 56630620 | 1 | Spring, Ext .275d 1.50l .024wd |
| ** | 56052964 | 1 | Magnet, Permanent |
| ** | 56630325 | 1 | Upright Vacuum Accessory Kit |

* = Not Shown

** = Not Included (optional)



| Item | Ref. No. | Qty | Description |
|------|----------|-----|-------------------------------------|
| 1 | 56648404 | 1 | Dirt Cup Bag Kit |
| 2 | 56648427 | 1 | Dirt Cup Bellows Kit |
| 3 | 56648417 | 1 | Power Cord Assy (see #11 on page 3) |
| 5 | 56648411 | 1 | Handle Assy |
| 6 | 56039515 | 1 | Dirt Cup Kit |
| 7 | 56630249 | 1 | Cup--Dirt,Clear Plstc |
| 8 | 56630353 | 1 | Hook,Cord--Uprt,Dark Gray |
| 9 | 56648429 | 1 | Grip,Handle--Dark Gray |





**Nilfisk
Advance**

setting standards

Nilfisk-Advance, Inc.
14600 21st Avenue North
Plymouth, MN 55447-3408
www.nilfisk-advance.com
Phone: 800-989-2235
Fax: 800-989-6566
©2007 Printed in China