



Electronic Service Manuals

This electronic document is provided as a service to our customers. We do not create the contents of the information contained in this document. Should you have detailed questions pertaining to the information contained in this document, you may contact Michco, or the manufacturer which provided the original information in this electronic deliverable. Michco's only part in this electronic deliverable was the electronic assembly process. By providing this manual on line we are not guaranteeing parts availability.

You may contact Michco through the following methods:

Phone (517) 484-9312 or (800) 331-3339

2011 N. High St. -- Lansing, Michigan -- 48906

Fax: (517) 484-9836

Email: CustServe@Michco.com

Web site: www.Michco.Com

Parts Web site: www.FloorMachineParts.Com

Order Parts on Line at:

www.FloorMachineParts.Com

Directly to Parts & Service:

By Email: **Shop@Michco.com**

By Fax: (517) 702-2041

By Voice: Use numbers above.

Serving the Cleaning Industry Since 1922

Notice: All copyrighted material remains property of original owners, all trademarks are property of respective owners. Manuals are subject to Manufacturer's reproduction limitations. Originals or reproductions were provided by manufacturers through a request. We make no warranty as to the correctness of information provided in this document and you assume all risk. By placing these manuals on line we are not declaring our corporation to be an manufacturer authorized dealer or provider, please check our web site for authorized manufacturers we represent.



SPARE PART LIST

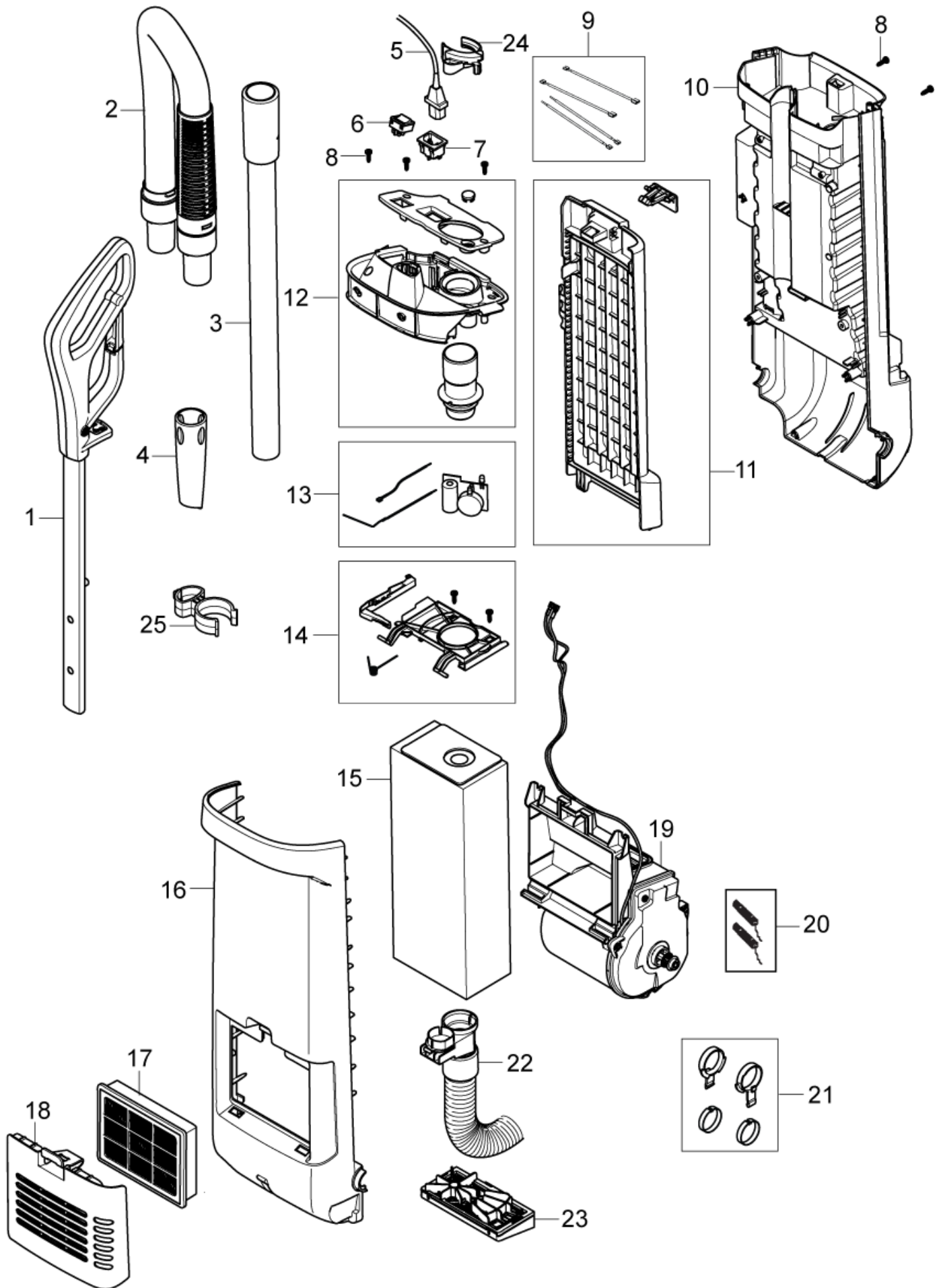
VU500 12 INCH SMU US

VU500 15 INCH SMU US

”

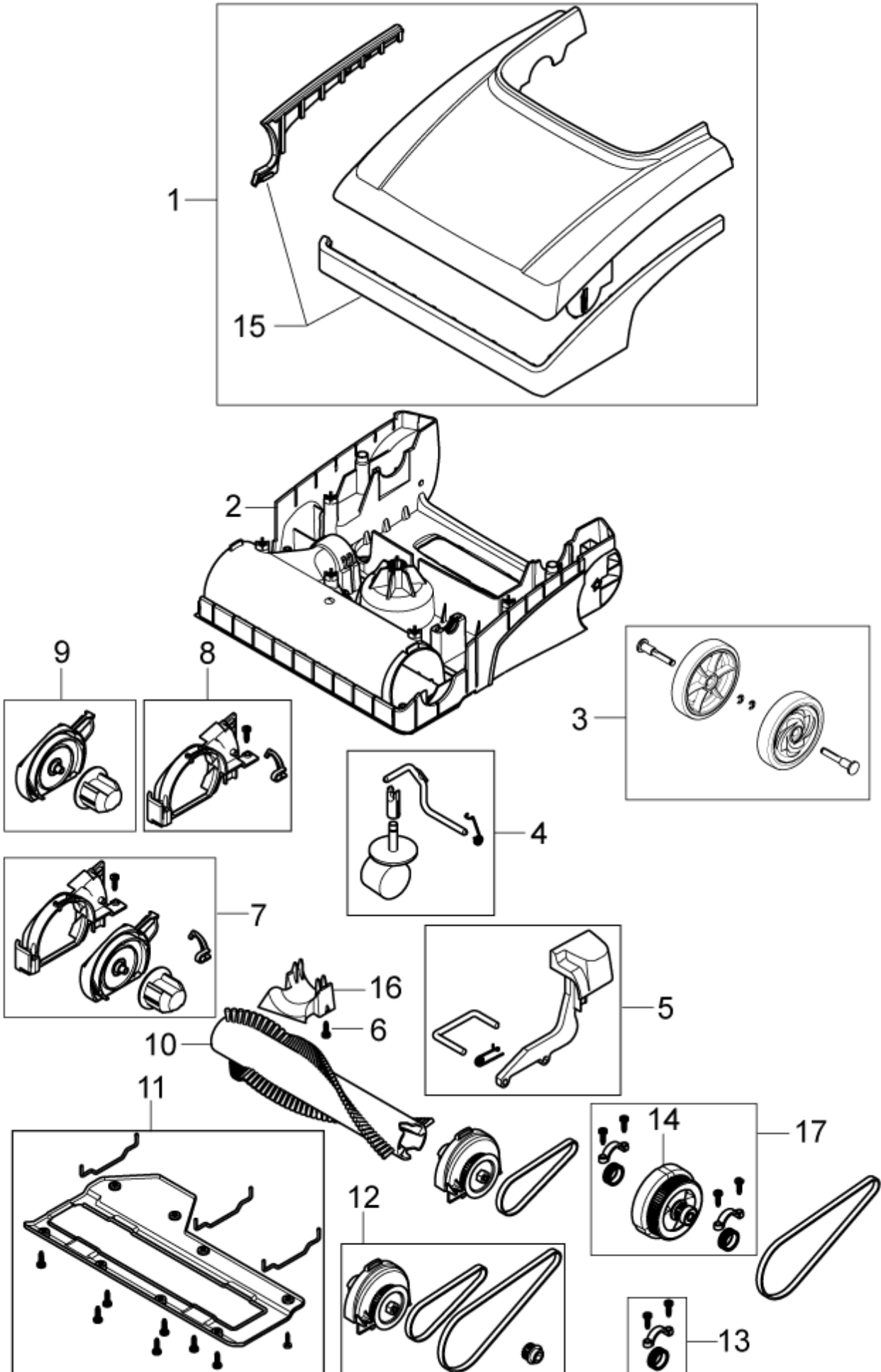
Model : 97765 VU500 (US)

Drawing : VU50001 Body



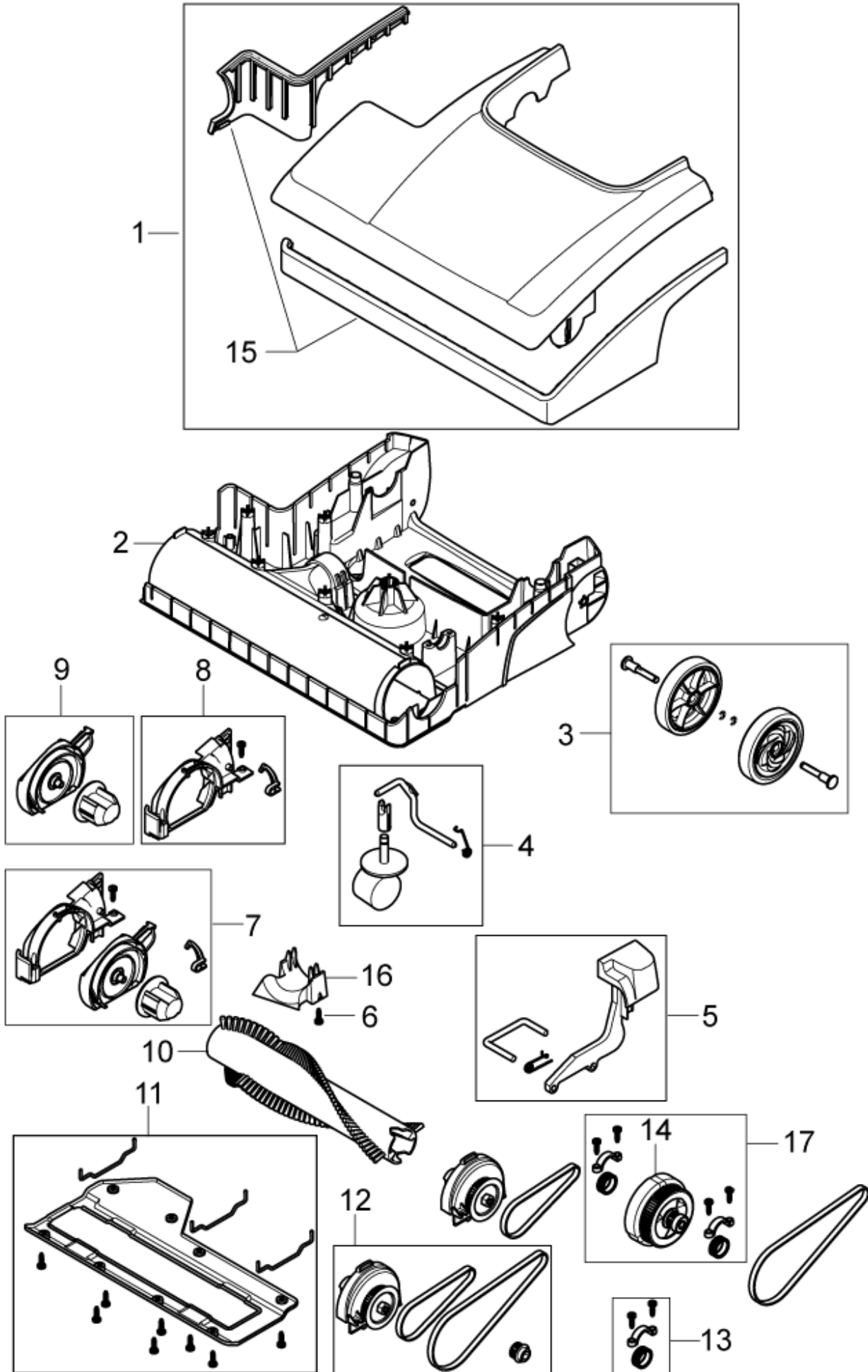
IA	Pos. no.	Qty.	Item no.	Item Text
	01	1	107407581	HANDLE , COMPLETE
	02	1	147 0950 500	HOSE STRETCHABLE
	03	1	147 0851 500	EXTENSION TUBE 35MM
	04	1	147 1203 500	CREVICE NOZZLE 35
	05	1	107407582	DETACHABLE CORD, 33FT
	05	1	107407713	DETACHABLE CORD, 50FT
	06	1	140 5496 510	SWITCH UL KIT
	07	1	107407583	PLUG SOCKET
	08	1	140 9214 040	SCREW PTK TORX 40X14 MM FZB
	09	1	107407590	INTERNAL WIRE KIT
	10	1	107407584	COVER BODY, REAR
	11	1	107407585	LID, COMPLETE
	12	1	107407586	COVER TOP KIT
	13	1	147 0987 500	BAG FULL DEVICE
	14	1	147 0854 500	HOLDER DUST BAG KIT
	15	1	107407587	DUST FILTER BAG
	16	1	107407588	COVER BODY, FRONT
	17	1	147 1250 600	HEPA-FILTER. H13
	18	1	107407589	COVER EXHAUST
	19	1	147 0864 510	MOTOR CASSETTE 110-120V
	20	1	147 1326 500	CARBON BRUSH KIT
	21	1	147 0927 500	JOINT BASE TO BODY W RING
	22	1	147 0919 500	ADAPTER BASE TO TUBE W.HOSE
	23	1	147 0958 500	HOLDER PRE FILTER KIT
	24	1	107407717	UPPER WAND CLIP
	25	1	107407699	ACCESSORY TOOL CLIP KIT

Model : 97765 VU500 (US)
Drawing : VU50003 Base 12"



IA	Pos. no.	Qty.	Item no.	Item Text
	01	1	107407569	COVER ,BASE 12"
	02	1	107407571	CHASSIS 12"
	03	1	147 0898 500	WHEEL KIT
	04	1	107407573	CASTER KIT
	05	1	107407574	PEDAL WITH SHAFT AND SPRING
	06	1	140 9214 040	SCREW PTK TORX 40X14 MM FZB
	07	1	107407575	BRUSH COVER AND FRAME, COMPLETE
	08	1	107407576	BRUSH FRAME WITH CLIP
	09	1	107407577	BRUSH COVER WITH BEARING
	10	1	107407697	12" BRUSH FOR VU500, RED
	11	1	107407578	BRUSH SHOE KIT,12"/305
	12	1	107407698	BEARING BLOCK WITH BELTS AND DRIVE PULLEY
	13	1	107407580	CLAMP AND GASKET KIT
	14	1	147 0913 500	S/B CLUTCH WITH BEARINGS
	15	1	107407718	BUMPER, 12"
	16	1	107407723	LOWER HOSE CLAMP
	17	1	107407722	CLUTCH ASSEMBLY ,COMPLETE

Model : 97765 VU500 (US)
Drawing : VU50005 Base 15"



IA	Pos. no.	Qty.	Item no.	Item Text
	01	1	107407570	COVER ,BASE 15"
	02	1	107407572	CHASSIS 15"
	03	1	147 0898 500	WHEEL KIT
	04	1	107407573	CASTER KIT
	05	1	107407574	PEDAL WITH SHAFT AND SPRING
	06	1	140 9214 040	SCREW PTK TORX 40X14 MM FZB
	07	1	107407575	BURSH COVER AND FRAME ,COMPLETE
	08	1	107407576	BRUSH FRAME WITH CLIP
	09	1	107407577	BRUSH COVER WITH BEARING
	10	1	107408004	15" BRUSH FOR VU500 ,RED
	11	1	107407579	BRUSH SHOE KIT, 15"/355
	12	1	107407698	BEARING BLOCK WITH BELTS AND DRIVE PULLEY
	13	1	107407580	CLAMP AND GASKET KIT
	14	1	147 0913 500	S/B CLUTCH WITH BEARINGS
	15	1	107407719	BUMPER, 15"
	16	1	107407723	LOWER HOSE CLAMP
	17	1	107407722	CLUTCH ASSEMBLY, COMPLETE

USA
Nilfisk-Advance Inc.
14600 21st Avenue North
Plymouth, MN 55447-3408
Tel.: (763) 745 3500
Fax : (763) 745 3718

Canada
Nilfisk-Advance Canada
240 Superior Boulevard Mississauga,
ON L5T 2L2
Tel.: 905-564-1149
Fax: 905-564-1030



Advance

www.advance-us.com