



# Electronic Service Manuals

This electronic document is provided as a service to our customers. We do not create the contents of the information contained in this document. Should you have detailed questions pertaining to the information contained in this document, you may contact Michco, or the manufacturer which provided the original information in this electronic deliverable. Michco's only part in this electronic deliverable was the electronic assembly process.

You may contact Michco through the following methods:  
Phone (517) 484-9312 or (800) 331-3339 MI, OH, IN only  
2011 N. High St. -- Lansing, Michigan -- 48906  
Fax: (517) 484-9836  
Email: [CustServ@Michco.com](mailto:CustServ@Michco.com)  
Web site: [www.Michco.Com](http://www.Michco.Com)  
Parts Web site: [www.FloorMachineParts.Com](http://www.FloorMachineParts.Com)

Order Parts on Line at:  
**[www.FloorMachineParts.Com](http://www.FloorMachineParts.Com)**

Directly to Parts & Service:  
By Email: **[Shop@Michco.com](mailto:Shop@Michco.com)**  
By Fax: (517) 702-2041  
By Voice: Use numbers above.

**Serving the Cleaning Industry Since 1922**

Notice: All copyrighted material remains property of original owners, all trademarks are property of respective owners. Manuals are subject to Manufacturer's reproduction limitations. Originals or reproductions were provided by manufacturers through a request. We make no warranty as to the correctness of information provided in this document and you assume all risk.

**CARPETWIN**

**MODEL 200**

THIS PARTS LIST IS FOR 115 VOLT  
MACHINES AFTER SERIAL NO. 053103

# PARTS LIST



**ADVANCE**  
**MACHINE COMPANY**

INTERNATIONAL HEADQUARTERS, Spring Park, Minnesota 55384-0275

EUROPE, 4 Rue Jean Engling, L-1466 Luxembourg

CANADA, 1295 Crestlawn Drive, Mississauga, Ontario L4W 1A9

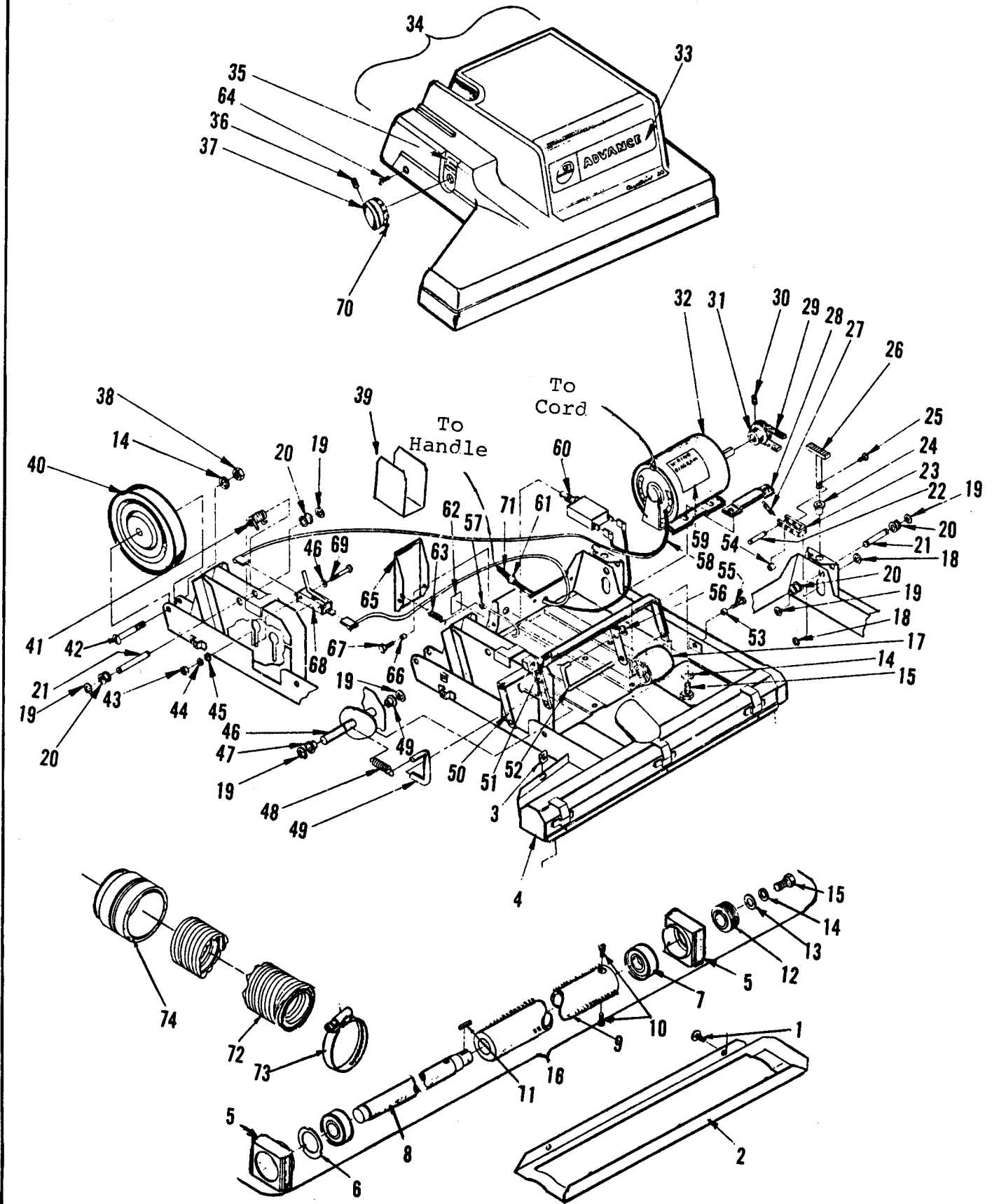
© 1985 Advance Machine Co.

FORM NO. 042 128 3/85



# INDEX FOR FORM NUMBER 042128

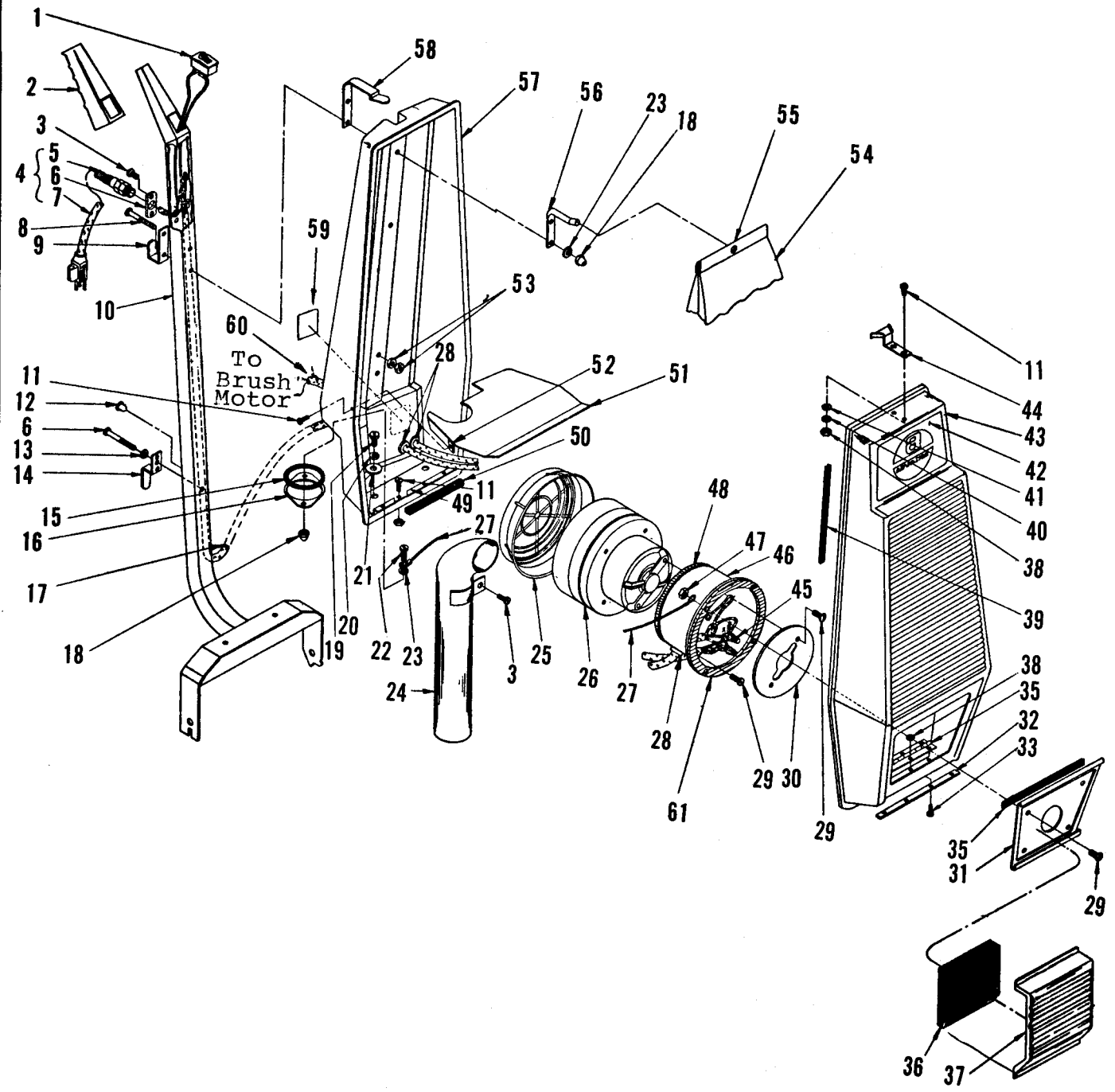
<u>Description</u>	<u>Location</u>	<u>Page</u>
Bag Housing	C3	3
Base	C1	1
Motor, Vacuum	C5	5
Wiring Diagram	C6	6



## BASE ASSEMBLY

ITEM	PART NO.	QTY.	DESCRIPTION	ITEM	PART NO.	QTY.	DESCRIPTION
1		6	SCREW #10-32 X 3/8	66	151 092	1	SPACER, GUARD
2	326 934	1	SHOE, BASE	67		2	SCREW, #10-32 X 5/16
3	328 855	5	NUT, SPEED #10-24	68	327 450	1	SWITCH
4	326 403	1	BASE	69		2	SCREW #6-32 X 7/8
5	322 420	2	BLOCK, BEARING	70	023 288	1	DECAL, NUMBER
6	320 153	1	SPRING, LOADING	71	325 390	1	CORD ASSY.
7	372 773	2	BEARING, BRUSH	72	330 090	1	HOSE, 2"
8	327 166	1	TUBE ASSY.	73	440 213	1	CLAMP, HOSE
9	327 255	1	BRUSH	74	330 088	1	HOSE CUFF
10		2	SCREW, #10-24 X 1/2				
11	109 258	1	KEY, SHAFT				
12	327 182	1	PULLEY, POLY-V				
13		1	WASHER, FLAT 5/16				
14		7	LOCKWASHER 5/16				
15		5	SCREW 5/16-18 X 5/8				
16	327 272	1	BRUSH ASSEMBLY				
17	325 244	2	ROLLER, HEIGHT ADJ.				
18	321 125	2	RING, RETAINING				
19	321 427	6	RING, RETAINING				
20	329 098	4	BEARING, NYLINER				
21	329 054	2	PIN, FORK PIVOT				
22	328 707	1	PIN, LATCH PIVOT				
23	328 561	1	LATCH ASSEMBLY				
24	328 723	1	BUSHING				
25		1	SCREW #10-32 X 1/2				
26	328 562	1	FOOT PEDAL ASSY.				
27	328 790	1	SPRING, FOOT PEDAL				
28	218 065	2	PLATE, NUT				
29	327 476	1	BELT, POLY-V				
30		1	SCREW 5/16-18 X 5/16				
31	327 131	1	PULLEY, MOTOR				
32	238 147	1	MOTOR, BRUSH				
33	014 305	1	DECAL, ADVANCE				
34	326 990	1	SHROUD ASSY.				
35	012 290	1	DECAL, BRUSH ADJ				
36		1	SCREW #8-32 X 3/8				
37	324 502	1	KNOB, ADJUSTMENT				
38		2	NUT, HEX 5/16-18				
39	329 147	1	SHIELD, ELECTRICAL				
40	327 530	2	WHEEL, 4"				
41	321 397	1	SPRING, TORSION				
42		2	SCREW 5/16-18 X 1 3/4				
43		2	NUT, HEX #6-32				
44		2	LOCKWASHER #6				
45		4	WASHER, FLAT #6				
46	328 058	1	CAM				
47	329 105	2	BEARING, NYLINER				
48	330 642	1	SPRING, ADJUSTMENT				
49	327 657	1	LEVEL, AXEL				
50	327 607	1	AXEL				
51		1	SCREW, SET 5/16-18 X 3/8				
52	327 668	2	AXEL, ROLLER				
53	151 106	2	BUSHING, AXEL				
54	328 758	1	SPACER, PEDAL				
55		2	SCREW 1/4-20 X 3/4				
56	325 227	2	NUT, STUD				
57	329 142	1	HOOK				
58	327 413	1	CORD ASSY 18/2 X 12				
59	014 335	1	DECAL, WIRING				
60	329 177	1	CIRCUIT BREAKER 6.0A				
61	163 015	1	STRAIN RELIEF				
62	014 362	1	DECAL, RESET				
63	378 968	1	SPRING, GUARD				
64		4	SCREW #10-24 X 1/2				
65	329 137	1	GUARD, HOSE				

62

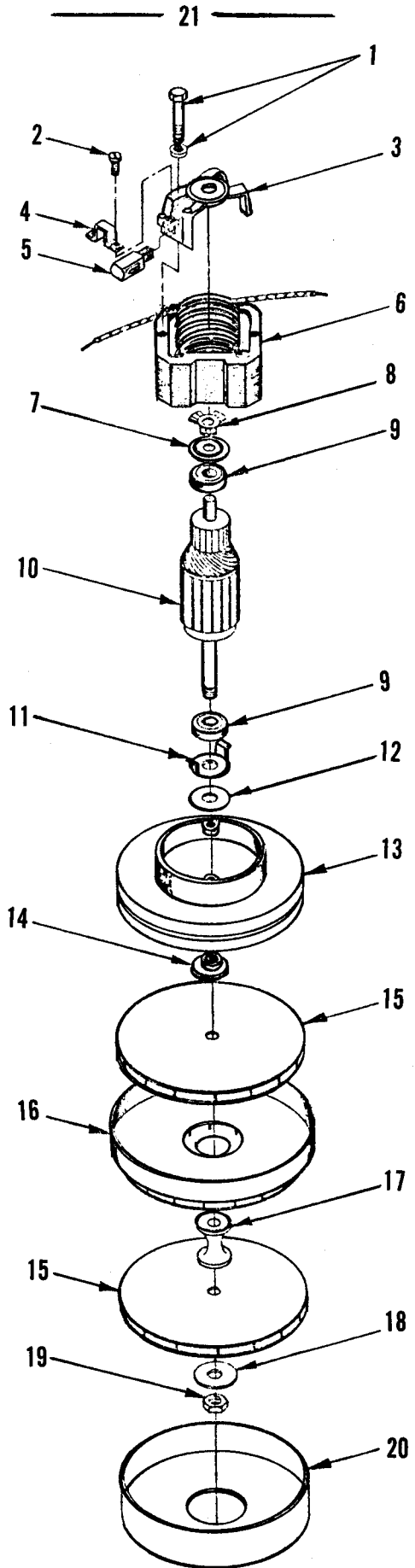


## HANDLE ASSEMBLY

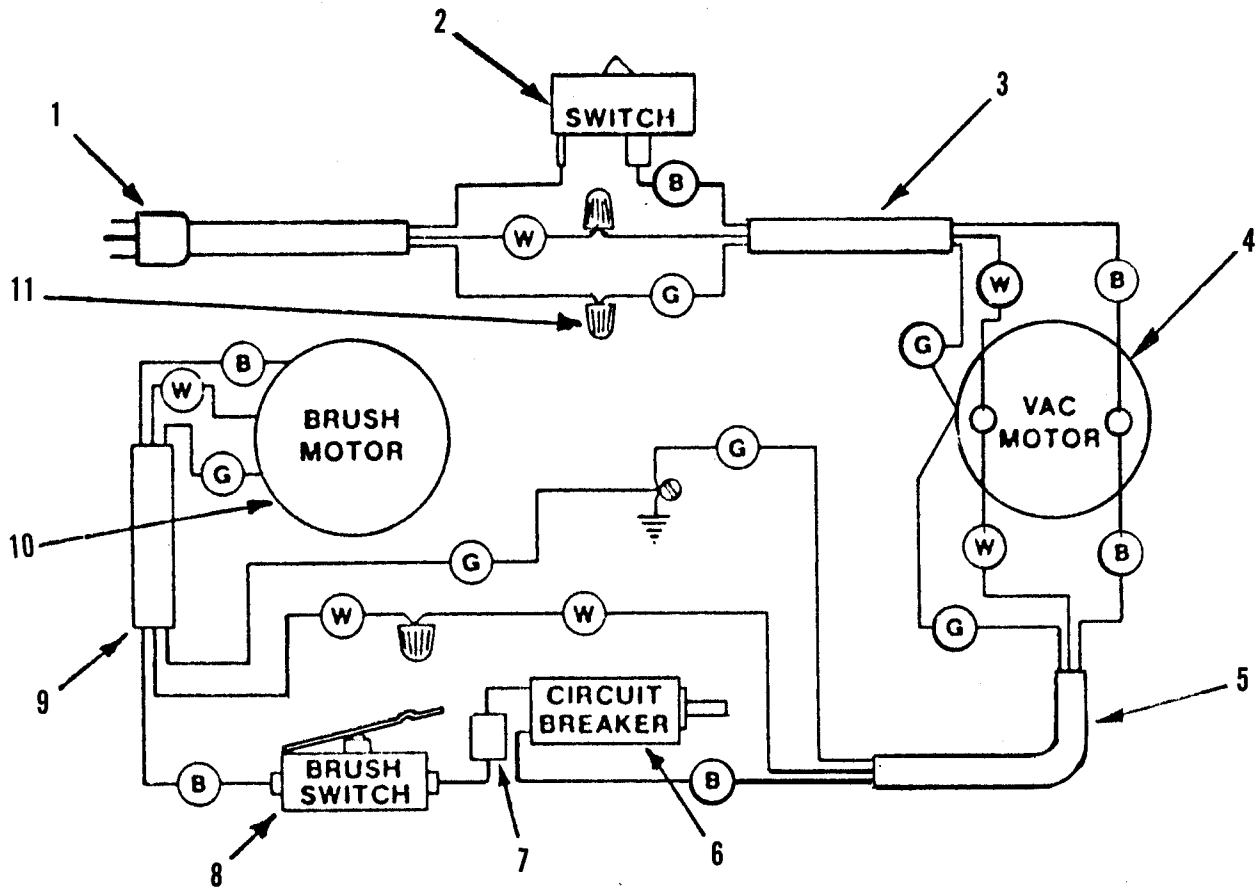
ITEM	PART NO.	QTY.	DESCRIPTION
1	325 140	1	SWITCH, ROCKER
2	585 099	1	GRIP, HANDLE
3		6	SCREW #10-32 X 1/2
4	327 343	1	CORD SET ASSY.
5	162 736	1	STRAIN RELIEF
6	322 027	1	PLATE
7	584 968	1	CORD SET
8		3	SCREW #10-24 X 1 5/8
9	325 168	1	HOOK, CORD
10	321 139	1	HANDLE
11		6	SCREW #6-32 X 5/8
12	361 321	2	CATCH, BULLET
13		2	WASHER, FLAT #10
14	325 166	1	HOOK, SWIVEL CORD
15	325 157	1	O-RING
16	325 160	1	PLATE, KEEPER
17	325 327	1	CORD ASSY.
18		6	NUT, ACORN #10-24
19		2	SCREW, 1/4-20 X 3/8
20		2	LOCKWASHER, 1/4
21	151 114	2	WASHER, FLAT
22		2	SCREW, #10-24 X 5/8
23		6	LOCKWASHER #10
24	325 162	1	TUBE, INLET
25	384 898	1	FILTER, VAC MOTOR
26	300 381	1	MOTOR, VACUUM
27	325 240	1	WIRE ROPE ASSY.
28	320 319	4	BUSHING, NYLON
29		8	SCREW, #10-24 X 1/2
30	325 332	1	PLATE, BAFFLE
31	325 173	1	PLATE, FILTER
32	325 208	1	PLATE, HINGE
33		5	SCREW #6-32 X 3/8
34	200 754	1	GASKET
35	325 205	1	HINGE, HOUSING
36	325 163	1	FILTER, AIR
37	325 161	1	DEFLECTOR, AIR
38		11	NUT, #6-32
39	325 324	1	GASKET 65 1/2
40		3	LOCKWASHER #6
41		2	WASHER, FLAT #6
42	014 060	1	DECAL, ADVANCE
43	325 297	1	HOUSING, FRONT
44	325 250	1	STRIKE, LATCH
45	321 737	3	WIRE NUT
46	325 120	1	CUP, VAC MOTOR
47		4	HEX NUT #10-24
48	209 325	1	GASKET, MOTOR
49	325 207	1	PLATE, HOUSING
50	385 448	1	GASKET 7"
51	325 138	1	SUPPORT, BAG
52	322 504	1	SPEEDNUT, #6
53		2	HEX NUT #10-24
54	324 530	1	BAG, CLOTH
55	320 676	1	CLAMP, BAG
56	325 164	1	HOOK, BAG
57	325 322	1	HOUSING, BACK
58	325 337	1	LATCH
59	015 314	1	DECAL, WARNING
60	325 390	1	CORD ASSY.
61	325 148	1	GASKET, CUP
62	329 402	1	HANDLE ASSY.

VACUUM MOTOR

ITEM	PART NO.	QTY.	DESCRIPTION
1	203 494	2	SCREW
2	203 263	4	SCREW, COMMUTATOR
3	207 234	1	BRACKET, COMMUTATOR END
4	207 285	2	CLAMP, BRUSH
5	203 518	SET	BRUSH MECHANISM
6	203 557	1	FIELD
7	203 513	1	DISC, 115V
8	202 843	1	LOAD SPRING
9	228 051	2	BEARING
10	203 549	1	ARMATURE
11	203 471	1	WASHER, CLAMPING
12	203 459	1	WASHER, FELT
13	301 184	1	BRACKET & SHELL ASSY
14	203 424	1	SPACER
15	208 191	2	FAN, ROTATING
16	207 268	1	FAN STATIONARY
17	203 516	1	SPACER
18	203 432	1	WASHER
19	203 440	1	NUT
20	203 491	1	FAN, SHELL
21	300 381	1	MOTOR, VACUUM



B - BLACK  
G - GREEN  
W - WHITE



### ELECTRICAL SCHEMATIC

ITEM	PART NO.	QTY.	DESCRIPTION
1	327 343	1	CORD SET ASSY.
2	325 140	1	SWITCH, ROCKER
3	325 327	1	CORD ASSY 16/3 X 53
4	300 381	1	MOTOR, VACUUM
5	325 390	1	CORD ASSY. 18/3 X 34
6	329 177	1	CIRCUIT BREAKER
7	329 149	1	WIRE ASSY.
8	327 450	1	SWITCH, BRUSH
9	327 413	1	CORD ASSY. 18/2 X 12
10	238 147	1	MOTOR, BRUSH
11	321 737	1	CONNECTOR, WIRE