



Electronic Service Manuals

This electronic document is provided as a service to our customers. We do not create the contents of the information contained in this document. Should you have detailed questions pertaining to the information contained in this document, you may contact Michco, or the manufacturer which provided the original information in this electronic deliverable. Michco's only part in this electronic deliverable was the electronic assembly process.

You may contact Michco through the following methods:
Phone (517) 484-9312 or (800) 331-3339 MI, OH, IN only
2011 N. High St. -- Lansing, Michigan -- 48906
Fax: (517) 484-9836
Email: CustServ@Michco.com
Web site: www.Michco.Com
Parts Web site: www.FloorMachineParts.Com

Order Parts on Line at:
www.FloorMachineParts.Com

Directly to Parts & Service:
By Email: **Shop@Michco.com**
By Fax: (517) 702-2041
By Voice: Use numbers above.

Serving the Cleaning Industry Since 1922

Notice: All copyrighted material remains property of original owners, all trademarks are property of respective owners. Manuals are subject to Manufacturer's reproduction limitations. Originals or reproductions were provided by manufacturers through a request. We make no warranty as to the correctness of information provided in this document and you assume all risk.

CARPETWIN

MODEL 160

THIS PARTS LIST IS FOR MACHINES
AFTER THE SERIAL NUMBER 053103

PARTS LIST



ADVANCE
MACHINE COMPANY

INTERNATIONAL HEADQUARTERS, Spring Park, Minnesota 55384-0275

EUROPE, 4 Rue Jean Engling, L-1466 Luxembourg

CANADA, 1295 Crestlawn Drive, Mississauga, Ontario L4W 1A9

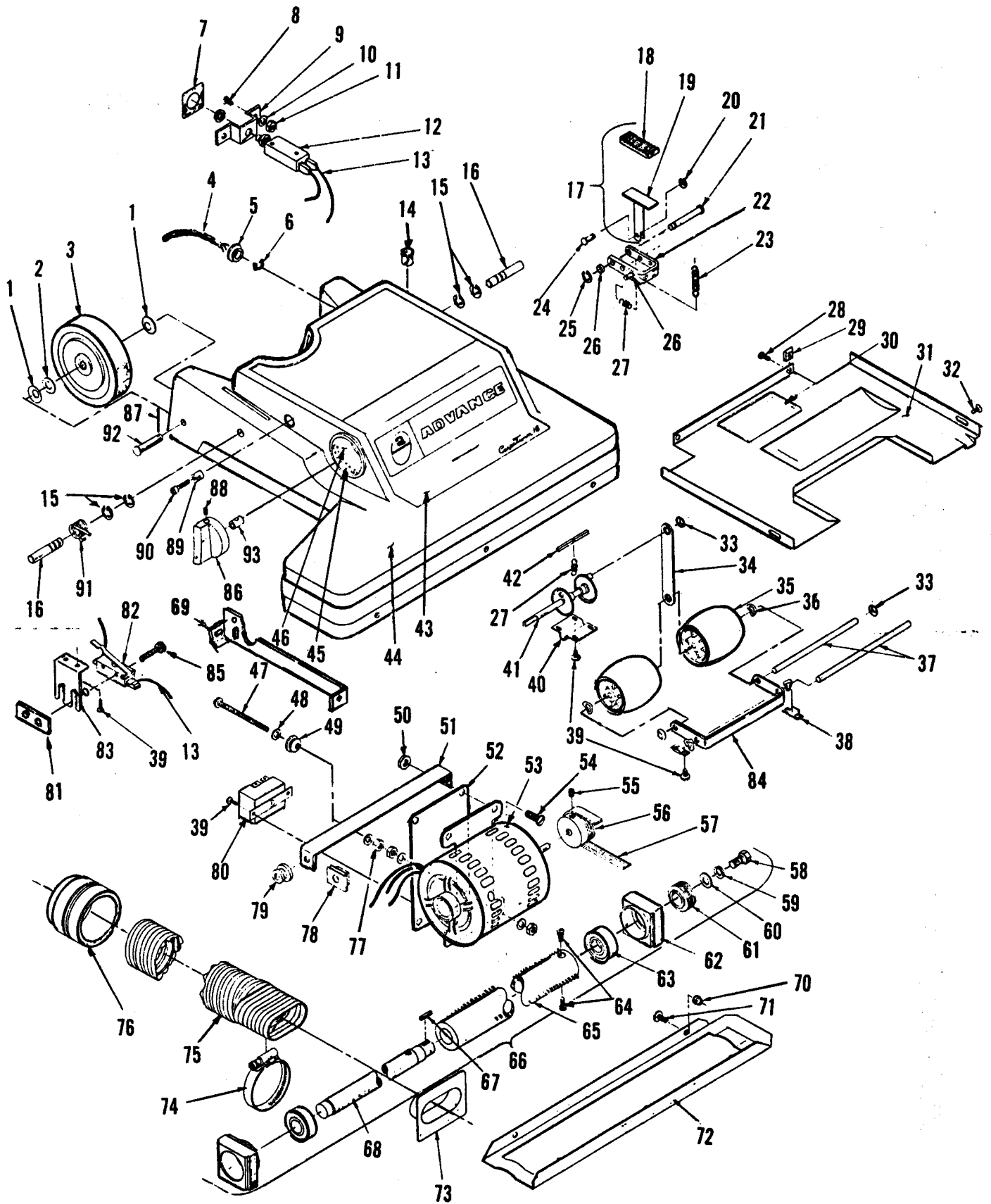
© 1985 Advance Machine Co.



FORM NO. 042127 3/85

Index for Form Number 042127

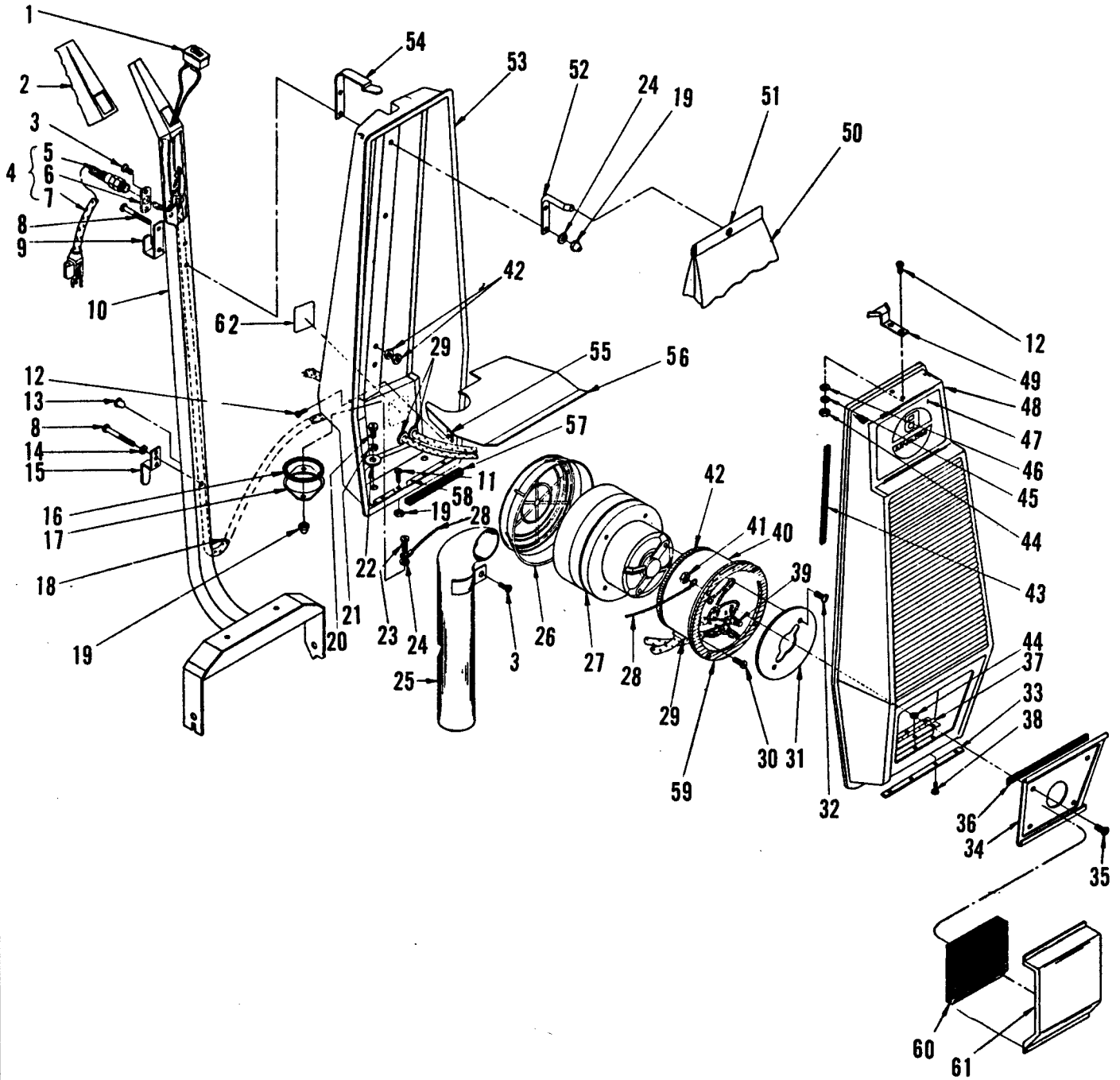
Description	Location	page
Bag Housing	D1	3
Base Housing	C13	1
Motor, Vacuum	D3	5
Wiring Diagram	D4	6



BASE ASSEMBLY

Item	Part No.	Qty	Description	Item	Part No.	Qty	Description
1	151041	4	Washer Bowed	48		4	Washer Flat 1/4
2		2	Washer Flat 3/8	49	321559	1	Grommet
3	327530	2	Wheel 4.00 x .968	50		3	Nut with Flange 1/4-20
4	325316	1	Cord Assembly 115V	51	325515	1	Bracket, Motor
5	321540	3	Grommet .500	52	322172	1	Plate, Motor
6	320358	1	Strain Relief	53	228408	1	Motor, Drive TSB 537, G-8
7	015020	1	Decal, Reset	54		3	Screw 1/4-20 x 1/2
8		2	Screw Flat Head #8-32 x 1/4	55		1	Screw Set 5/16-18 x 1/2
9	322410	1	Bracket, Circuit Breaker	56	322490	1	Pulley
10		2	Washer #8	57	320366	1	Belt
11		2	Nut Hex #8-32	58		1	Screw Hex 5/16-18 x 5/8
12	228414	1	Circuit Breaker 3.5A (115V)	59		1	Lock Washer 5/16
13	322412	1	Wire Assembly	60		1	Washer Flat 5/16
14	218472	1	Bushing, Nylon	61	322482	1	Sheave
15	321427	4	Ring, Retaining	62	320140	2	Block, Bearing
16	321402	2	Pin, Pivot	63	372773	2	Bearing
17	321065	1	Foot Pedal Assembly	64		2	Screw Socket.Hd #10-24 x 1/2
18	321064	1	Cap, Foot Pedal	65	320252	1	Brush, Turbulator
19	321054	1	Pedal	66	320290	1	Brush Assembly 16"
20	321128	1	Ring, Retaining	67	109258	1	Key
21	321095	1	Pin	68	320220	1	Shaft Assembly
22	328598	1	Latch	69	322654	1	Brace
23	321087	1	Spring	70		2	Flange Nut #10-32
24	321068	1	Pin, Foot Pedal	71		2	Screw #10-32 x 3/8
25	321125	2	Ring, Retaining	72	325533	1	Shoe
26	328642	1	Pin, Groove	73	325527	1	Adapter, Hose
27	320484	2	Spring	74	440213	1	Clamp, Hose
28		3	Screw Pan Head #8 x 1/2 S.T	75	325294	1	Hose
29	329575	6	Nut Spring	76	330088	1	Cuff, Hose
30	014113	1	Decal, Wiring	77		3	Hex Nut 1/4-20
31	325521	1	Shield, Base	78	321520	2	Nut
32		1	Screw Oval Head #8 x 1/2 S.T	79	321540	3	Grommet, Motor Mount
33	325227	3	Nut Stud	80	321610	1	Relay, 115V
34	325258	1	Link	81	385747	1	Plate, Nut
35	325244	2	Roller	82	171225	1	Switch, Snap SPST N.C.
36	150150	4	Washer Bowed	83	321615	1	Bracket, Switch
37	325229	2	Pin, Pivot	84	325254	1	Yoke, Adjusting
38	325213	2	Clamp, Axle	85		2	Screw Pan Head#6-32 x 1 1/4
39		12	Screw Pan Head #6-32 x 3/8	86	324504	1	Knob, Brush Height Adjusting
40	325225	1	Retainer, Ratchet	87	321406	2	Pin, Cotter
41	320474	1	Ratchet	88		1	Screw Socket Set #8-32 x 1/4
42	320476	1	Catch, Ratchet	89	321532	2	Bushing
43	014062	1	Decal, Advance	90		2	Screw Pan Head 1/4-20 x 5/8
44	325512	1	Housing	91	321398	1	Spring, Torsion
45	021106	1	Decal, Knob	92	321404	2	Axle, Rear
46	325410	1	Insert, Knob	93	321178	1	Spacer, Knob
47		1	Screw 1/4-20 x 3 1/4				

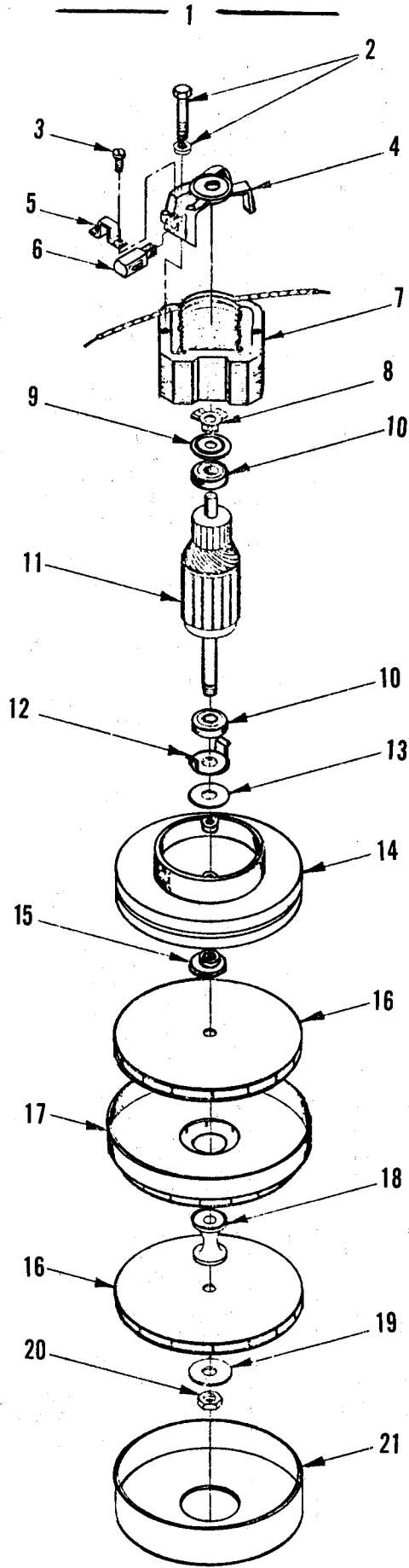
63



HANDLE ASSEMBLY

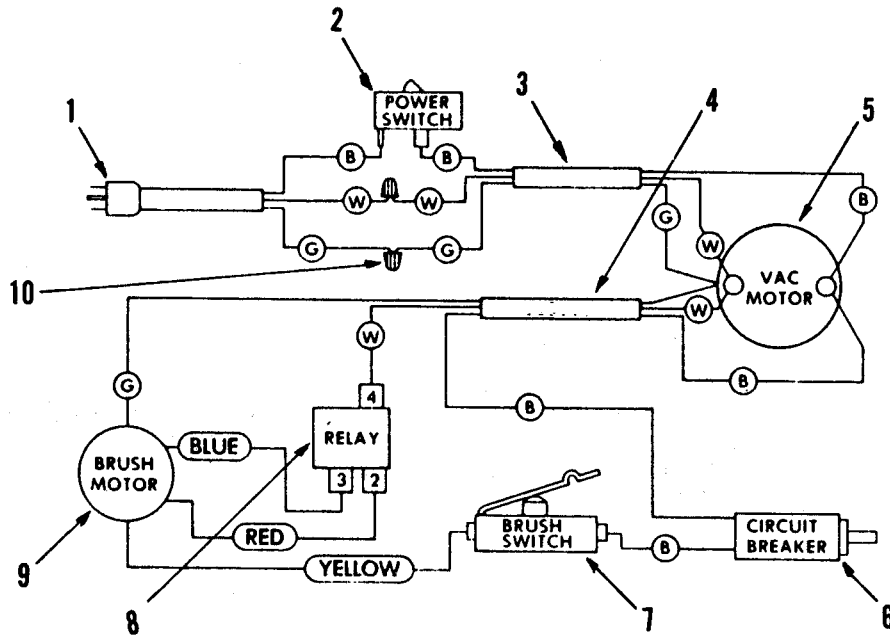
ITEM	PART NO.	QTY.	DESCRIPTION
1	325 140	1	SWITCH, ROCKER
2	585 099	1	GRIP, HANDLE
3		5	SCREW, PHIL.HD #10-32 X 1/2 HP-5
4	580 465	1	CORD SET ASSY. 115V 18 X 40
5	162 736	1	STRAIN RELIEF
6	322 027	1	PLATE, STRAIN RELIEF 115V
7	580 472	1	CORD SET, 115V
8		3	SCREW, PAN HD #10-24 X 1 5/8
9	325 168	1	HOOK, CORD
10	325 282	1	HANDLE
11	325 316	1	CORD ASSY. 18/3 X 26
12		6	SCREW, PAN HD. #6-32 X 5/16
13	361 321	2	CATCH, BULLET
14		2	WASHER, FLAT #10
15	325 166	1	CORD HOOK, SWIVEL
16	325 157	1	O-RING -132 NBR 70
17	325 160	1	KEEPER PLATE
18	325 312	1	CORD, HANDLE 115V 16"
19		6	NUT, ACORN #10-24
20		2	SCREW, HEX HD. 1/4-20 X 3/8
21		2	LOCKWASHER 1/4"
22	151 114	2	WASHER, FLAT 1/4"
23		2	SCREW, PAN HD. #10-24 X 5/8
24		2	LOCKWASHER #10
25	325 162	1	TUBE, INLET
26	384 898	1	FILTER, VAC MOTOR
27	300 381	1	MOTOR, VACUUM, 115V
28	325 240	1	CABLE STOP
29	162 981	4	STRAIN RELIEF
30		4	SCREW, PAN HD. #10-24 X 1/2
31	325 332	1	BAFFLE PLATE
32	325 134	2	SCREW, TC #10 X .375
33	325 208	1	PLATE, HINGE
34	325 173	1	PLATE, FILTER
35		4	SCREW, HEX HD. #10-24 X 1/2 W/WASHER
36	200 754	1	GASKET
37	325 205	1	HINGE
38		5	SCREW, PAN HD. #6-32 X 3/8
39	321 737	5	CONNECTOR, WIRE NUT
40	325 120	1	CUP, VAC MOTOR
41		6	NUT, HEX #10-24
42	209 325	1	GASKET, MOTOR
43	325 324	1	GASKET, 65-1/2"
44		11	NUT, HEX #6-32
45		3	LOCKWASHER, #6
46		2	WASHER, FLAT #6
47	014 060	1	DECAL, ADVANCE
48	325 297	1	HOUSING, FRONT
49	325 250	1	STRIKE LATCH
50	324 530	1	BAG, CLOTH
51	520 676	1	CLAMP, BAG
52	325 164	1	HOOK, BAG
53	325 322	1	HOUSING
54	325 337	1	LATCH
55	322 504	2	NUT, SPRING
56	325 138	1	SUPPORT, BAG
57	385 448	1	GASKET RS 3/8 X 3/8
58	325 207	1	PLATE, HOUSING
59	325 148	1	GASKET, CUP
60	325 163	1	FILTER, STD.
61	325 161	1	DEFLECTOR, AIR
62	015 314	1	DECAL, "WARNING"
63	329 360	1	HANDLE ASSY. 16" C'TWIN
64	325 219	1	TIE, CABLE (NOT SHOWN)
65	320 319	4	BUSHING, NYLON (NOT SHOWN)

ITEM	PART NO.	QTY.	DESCRIPTION
1	300 381	1	MOTOR, VACUUM 115V
2	203 494	2	SCREW
3	203 494	2	SCREW, COMMUTATOR
4	207 234	1	BRACKET, COMMUTATOR END 115V
5	207 285	2	CLAMP, BRUSH
6	203 518	SET	MOTOR BRUSHE (1 SET OF 2)
7		1	FIELD
8	202 843	1	LOAD SPRING 115V
9	203 513	1	DISC 115V
10	228 051	2	BEARING
11	203 549	1	ARMATURE
12	203 471	1	WASHER, CLAMPING
13	203 459	1	WASHER, FLAT
14	301 184	1	BRACKET & SHELL ASSEMBLY 115V
15	203 424	1	SPACER
16	208 191	2	FAN, ROTATING
17	207 268	1	FAN, STATIONARY
18	203 516	1	SPACER
19	203 432	1	WASHER
20	203 440	1	NUT
21	203 491	1	SHELL, FAN



115 VOLT

B-BLACK
G-GREEN
W-WHITE



ITEM	PART NO.	QTY.	DESCRIPTION
1	580 465	1	CORD SET ASSEMBLY
2	325 140	1	SWITCH, ROCKER
3	325 312	1	CORD ASSEMBLY 18/3 X 51
4	325 316	1	CORD ASSEMBLY 18/3 X 26
5	300 381	1	MOTOR, VACUUM
6	228 414	1	CIRCUIT BREAKER 3.5A
7	171 225	1	SWITCH, SNAP SPST
8	321 610	1	RELAY
9	228 408	1	MOTOR, BRUSH DRIVE
10	321 737	5	CONNECTOR, WIRE NUT