



## Electronic Service Manuals

This electronic document is provided as a service to our customers. We do not create the contents of the information contained in this document. Should you have detailed questions pertaining to the information contained in this document, you may contact Michco, or the manufacturer which provided the original information in this electronic deliverable. Michco's only part in this electronic deliverable was the electronic assembly process.

You may contact Michco through the following methods:  
Phone (517) 484-9312 or (800) 331-3339 MI, OH, IN only  
2011 N. High St. -- Lansing, Michigan -- 48906  
Fax: (517) 484-9836  
Email: [CustServ@Michco.com](mailto:CustServ@Michco.com)  
Web site: [www.Michco.Com](http://www.Michco.Com)  
Parts Web site: [www.FloorMachineParts.Com](http://www.FloorMachineParts.Com)

Order Parts on Line at:  
**[www.FloorMachineParts.Com](http://www.FloorMachineParts.Com)**

Directly to Parts & Service:  
By Email: **[Shop@Michco.com](mailto:Shop@Michco.com)**  
By Fax: (517) 702-2041  
By Voice: Use numbers above.

**Serving the Cleaning Industry Since 1922**

Notice: All copyrighted material remains property of original owners, all trademarks are property of respective owners. Manuals are subject to Manufacturer's reproduction limitations. Originals or reproductions were provided by manufacturers through a request. We make no warranty as to the correctness of information provided in this document and you assume all risk.

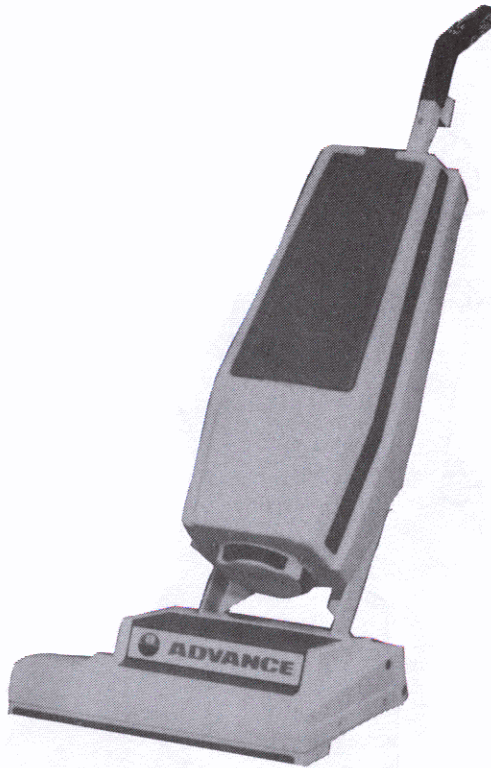
153390 34 10 91

# CARPETWIN 14

MODELS 323700, 323705, 323710

THIS PARTS LIST IS FOR MACHINES  
AFTER SERIAL NUMBER 380610

# PARTS LIST



**ADVANCE**  
**MACHINE COMPANY**

INTERNATIONAL HEADQUARTERS, Plymouth, MN 55447-3408  
EUROPE, Llantrisant, Pontyclun, Mid-Glamorgan CF7 8YZ Wales, United Kingdom  
CANADA, 1295 Crestlawn Drive, Mississauga, Ontario L4W 1A9



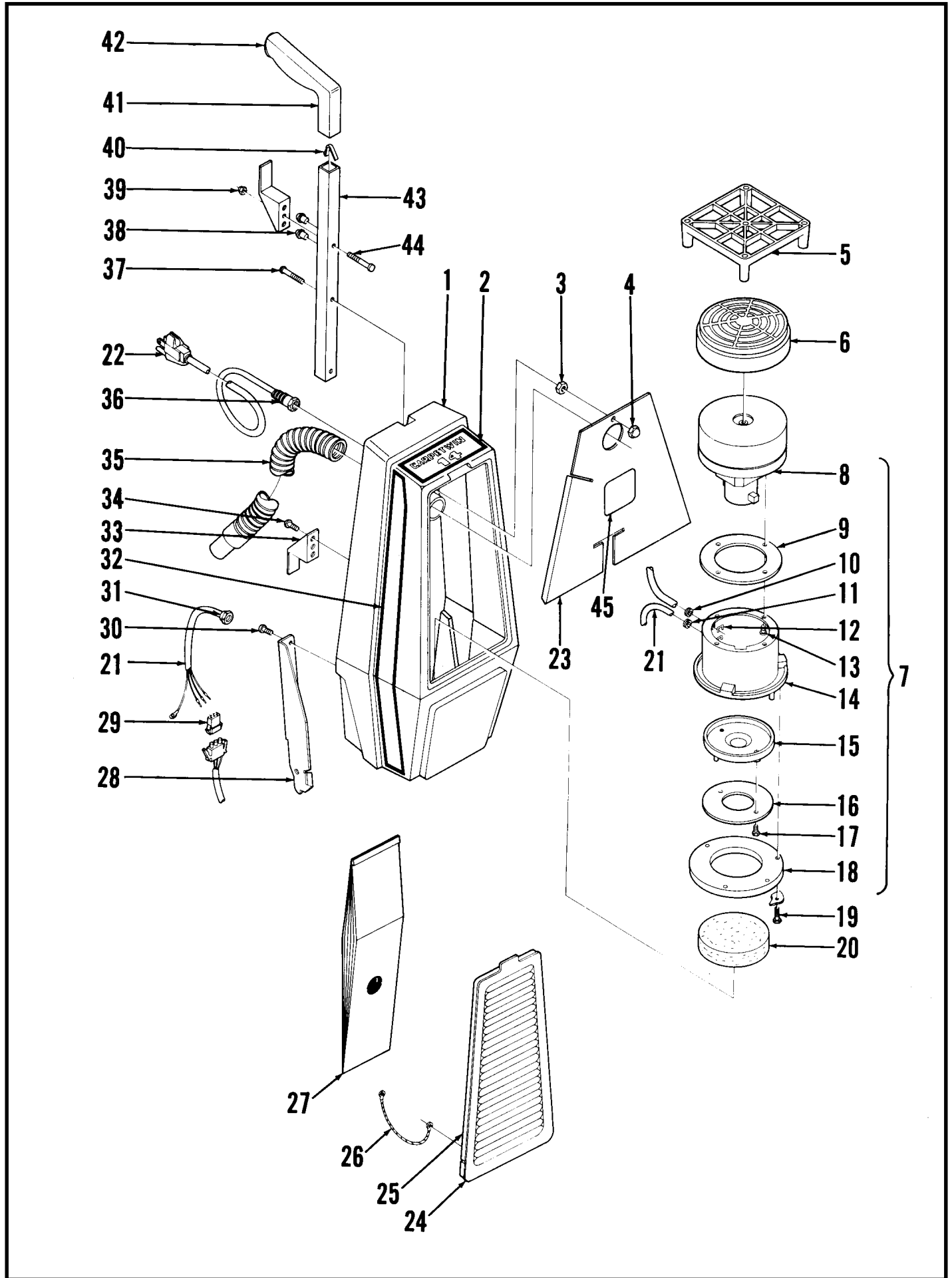
# TABLE OF CONTENTS

<u>DESCRIPTION</u>	<u>PAGE</u>
Upper Housing Assembly .....	1-2
Base Assembly .....	3-4
Wiring Diagrams .....	5-6

## WHEN ORDERING PARTS

- \* Use the 6 digit numbers from the "Part No." columns in this parts list.
- \* Specify the model and serial number of the machine.
- \* Use the space below to record the model and serial number for future reference.

Model \_\_\_\_\_ Serial No. \_\_\_\_\_

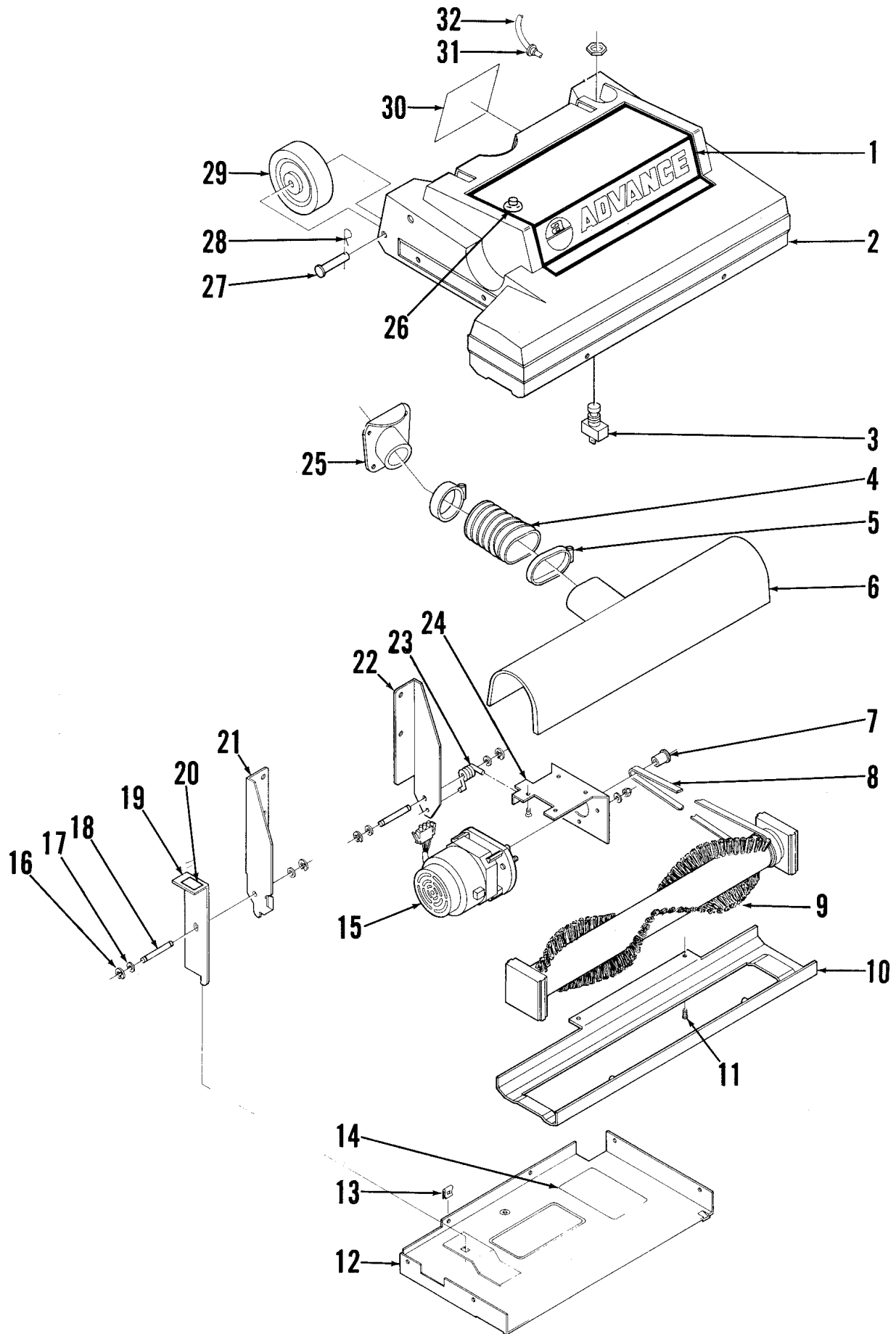


## UPPER HOUSING ASSEMBLY

Item	Part No.	Qty	Description	Item	Part No.	Qty	Description
1	323716	1	Upper Housing 115V, 100V	23	323557	1	Shield
	323746	1	Upper Housing 230V	24	323026	1	Cover
2	014271	1	Decal, Carpetwin 14	25	323113	1	Gasket
3	171094	2	Nut	26	323087	1	Wire Rope
4	172066	1	Acorn Nut	27	323122	1	Paper Bag 6-Pack
5	323041	1	Bag Support		323121	1	Cloth Bag <b>(optional)</b>
6	384898	1	Filter		706189	1	Bag Clip <b>(for cloth bag)</b>
7	323512	1	Vac Motor Assy 115V	28	323715	1	Right Bracket
	323749	1	Vac Motor Assy 100V		323525	1	Left Bracket
	323748	1	Vac Motor Assy 230V	29	900217	1	Socket 115V, 100V
8	325096	1	Vacuum Motor 115V	30		4	1/4-20 x 3/4 Screw
	330389	1	Vacuum Motor 100V	31	323135	1	Strain Relief
*	203518	1	Carbon Brush Set	32	014270	1	Decal, Right Stripe
*	228051	2	Bearing		014269	1	Decal, Left Stripe
*	208191	2	Rotating Fan	33	323074	2	Cord Hook
	301622	1	Vacuum Motor 230V	34		2	#10-24 x 1/2 Screw
**	203518	1	Carbon Brush Set	35	323718	1	Hose
**	228051	2	Bearing	36	323136	1	Strain Relief
**	208191	2	Rotating Fan	37		2	1/4-20 x 1-1/2 Screw
9	209325	1	Gasket	38	361321	2	Bullet Catch
10	467171	1	Grommet	39		1	#8-32 Acorn Nut
11	570206	1	Grommet	40	706226	1	Snap Button
12	162981	2	Strain Relief 115V, 100V	41	706220	1	Handle
13		4	1/4-20 x 1/2 Screw	42	706224	1	Plug
14	323039	1	Cup	43	323731	1	Handle Tube
15	323044	1	Inner Baffle	44		1	#8-32 x 1-1/2 Screw
16	323009	1	Outer Baffle	45	014629	1	Decal, Caution
17		2	#10-24 x 3/8 Screw		183523	1	Terminal Block 230V
18	323064	1	Gasket				<b>(not shown)</b>
19		3	#10-24 x 1 Screw				
20	323065	1	Exhaust Filter				
21	323532	1	Cord Assy 115V, 100V				
	323742	1	Cord Assy 230V				
22	323019	1	Cord Assy 115V				
	322940	1	Cord Assy 100V				
	300227	1	Cord Assy 230V				

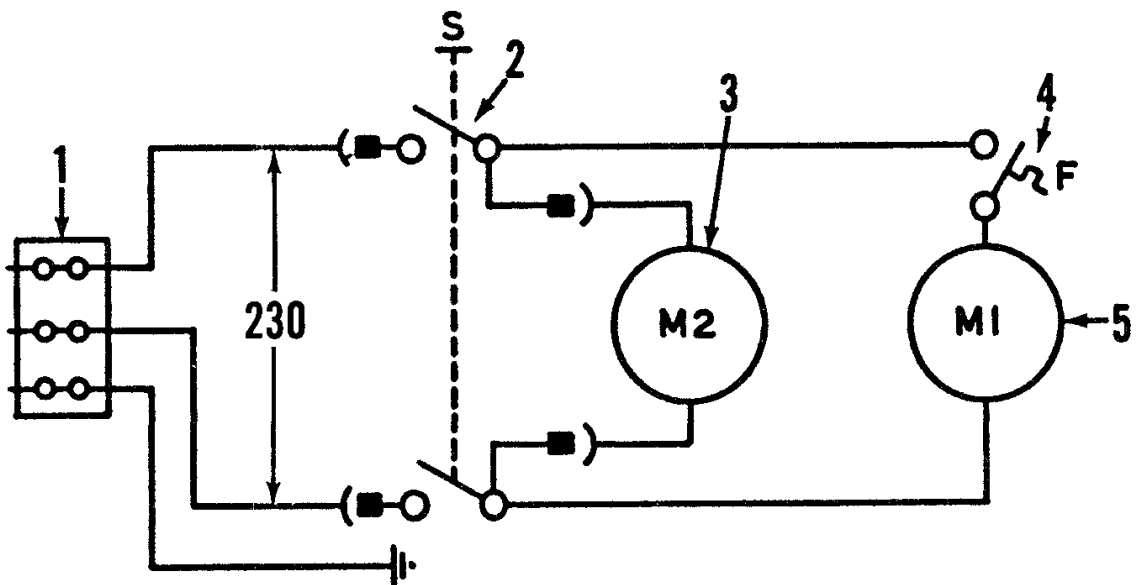
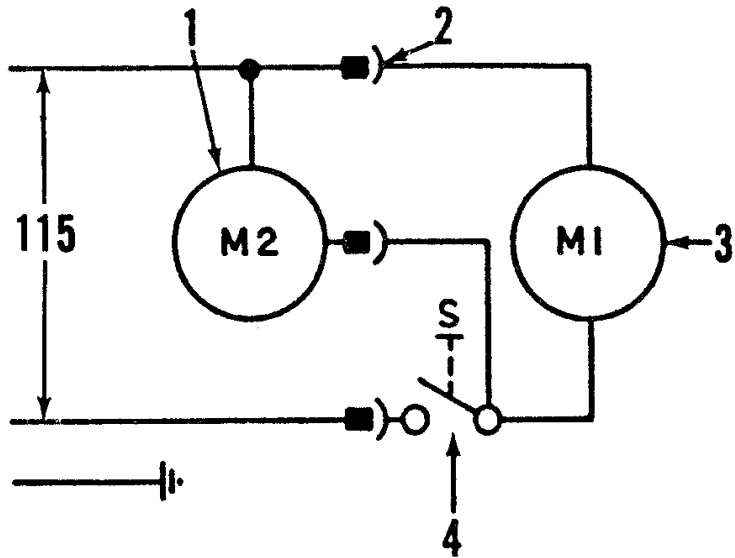
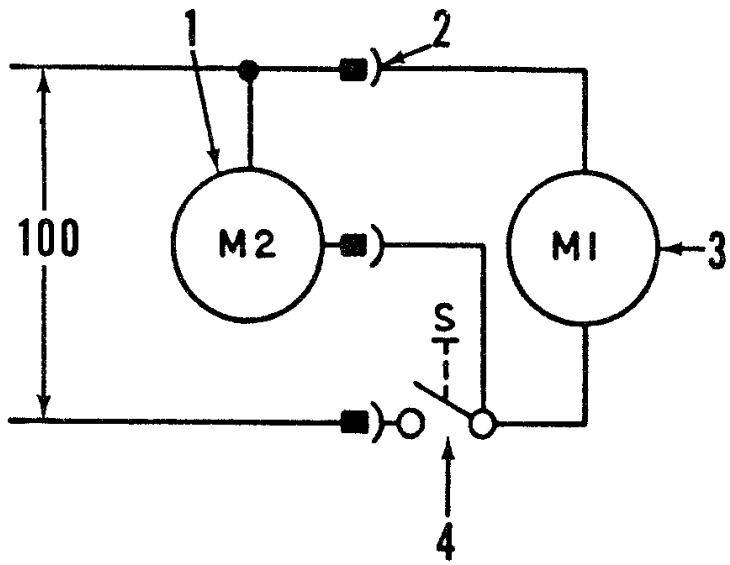
\* = Repair parts for 115V, 100V Vac Motor

\*\* = Repair parts for 230V Vac Motor



## BASE ASSEMBLY

Item	Part No.	Qty	Description	Item	Part No.	Qty	Description
1	014345	1	Decal, Advance 115V, 100V	16	321427	4	Retaining Ring
	014793	1	Decal, Advance 230V	17		4	3/8 Washer
2	323712	1	Base Housing 115V, 100V	18	402995	2	Pivot Pin
	323745	1	Base Housing 230V	19	323727	1	Handle Release
3	323723	1	Switch 115V, 100V	20	014084	1	Decal, Release
	290427	1	Circuit Breaker 230V	21	323715	1	Right Bracket
4	323580	1	Hose	22	323525	1	Left Bracket
5	440213	2	Clamp	23	323539	1	Spring
6	323522	1	Brush Insert	24	323719	1	Motor Mount
7	323131	1	Pulley <b>TSB 508, G11 / TSB 518, G10</b>	25	323579	1	Hose Adapter
8	323538	1	Belt <b>TSB 508, G11</b>	26	323741	1	Switch 230V
9	323530	1	Brush Assembly <b>TSB 508, G11</b>	27	329558	2	Pin
*	323589	1	Left Bearing Block	28	321406	2	Cotter Pin
*	323588	1	Right Bearing Block	29	323722	2	Wheel Assembly
*	290283	2	Bearing	30	014369	1	Decal, Warning
10	323556	1	Shoe	31	163015	1	Strain Relief
11		2	#10-24 x 5/8 Screw	32	323532	1	Cord Set 115V, 100V
12	323728	1	Bottom Pan Assembly		323742	1	Cord Set 230V
	323724	1	Pan				
	323726	1	Handle Catch				
13	900266	6	Spring Nut				* = Included with Brush Assembly
	900265	4	Side Screw				** = Repair parts for 115V, 100V Motor
	900264	2	Back Screw				*** = Repair parts for 230V Motor
14	014691	1	Decal, Wiring 115V				
	014765	1	Decal, Wiring 100V				
	014792	1	Decal, Wiring 230V				
15	323537	1	Brush Motor 115V <b>(includes #7)</b>				
	323516	1	Brush Motor 100V <b>(includes #7)</b>				
**	261149	1	Connector Plug				
**	323097	1	Carbon Brush Set				
**	228051	2	Bearings				
	323552	1	Brush Motor 230V <b>includes #7)</b>				
***	503004	1	Carbon Brush Set				
***	228051	2	Bearings				



## WIRING DIAGRAM 100V

Item	Part No.	Qty	Description
1	330389	1	Vacuum Motor 100V
2	900217	1	Socket
	261149	1	Plug
3	323516	1	Brush Motor 100V
4	323723	1	Switch

## WIRING DIAGRAM 115V

Item	Part No.	Qty	Description
1	325096	1	Vacuum Motor 115V
2	900217	1	Socket
	261149	1	Plug
3	323537	1	Brush Motor 115V
4	323723	1	Switch

## WIRING DIAGRAM 230V

Item	Part No.	Qty	Description
1	183523	1	Terminal Block
2	323741	1	Switch
3	301622	1	Vacuum Motor 230V
4	290427	1	Circuit Breaker
5	323747	1	Brush Motor 230V