



Electronic Service Manuals

This electronic document is provided as a service to our customers. We do not create the contents of the information contained in this document. Should you have detailed questions pertaining to the information contained in this document, you may contact Michco, or the manufacturer which provided the original information in this electronic deliverable. Michco's only part in this electronic deliverable was the electronic assembly process.

You may contact Michco through the following methods:
Phone (517) 484-9312 or (800) 331-3339 MI, OH, IN only
2011 N. High St. -- Lansing, Michigan -- 48906
Fax: (517) 484-9836
Email: CustServ@Michco.com
Web site: www.Michco.Com
Parts Web site: www.FloorMachineParts.Com

Order Parts on Line at:
www.FloorMachineParts.Com

Directly to Parts & Service:
By Email: **Shop@Michco.com**
By Fax: (517) 702-2041
By Voice: Use numbers above.

Serving the Cleaning Industry Since 1922

Notice: All copyrighted material remains property of original owners, all trademarks are property of respective owners. Manuals are subject to Manufacturer's reproduction limitations. Originals or reproductions were provided by manufacturers through a request. We make no warranty as to the correctness of information provided in this document and you assume all risk.

CARPETRON 18

MODEL — FC450
FC450-5

FORM NO. 042 057

JULY, 1981

REVISED FEB. 1984

PARTS LIST



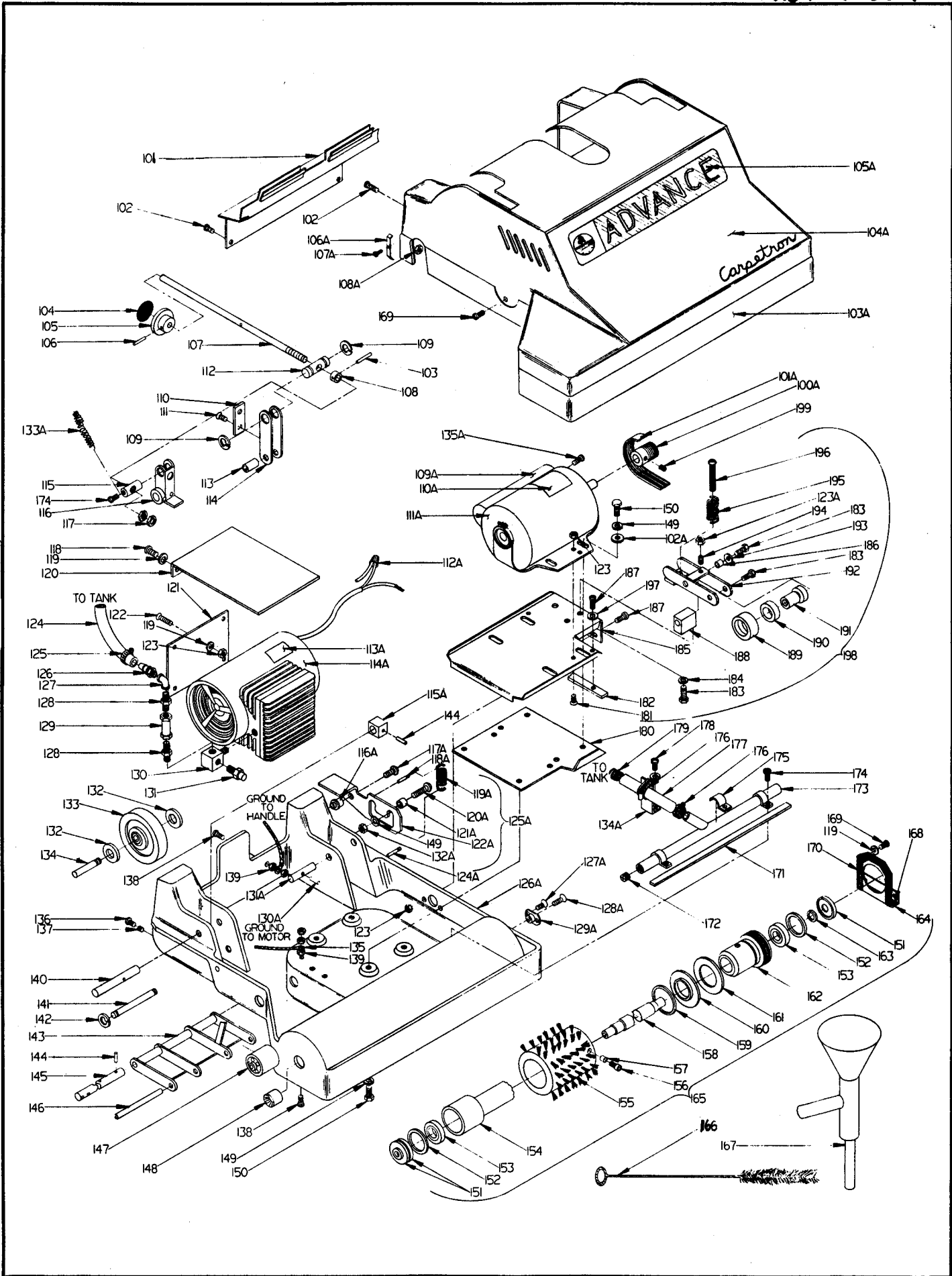
ADVANCE
MACHINE COMPANY

INTERNATIONAL HEADQUARTERS, Spring Park, Minnesota 55384-0275
EUROPE, 4 Rue Jean Engling, L-1466 Luxembourg
CANADA, 1295 Crestlawn Drive, Mississauga, Ontario L4W 1A9



INDEX FOR FORM NUMBER 042057

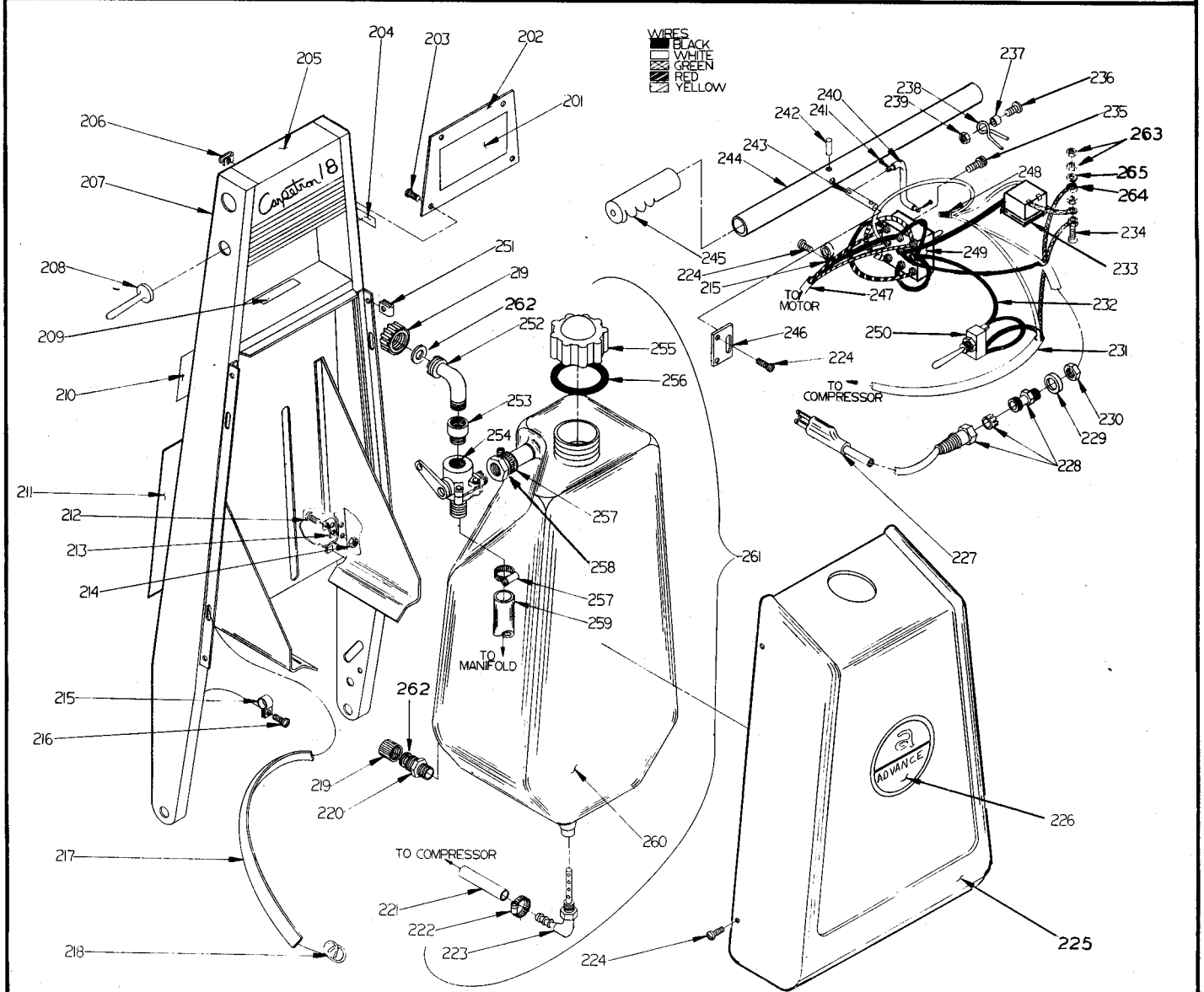
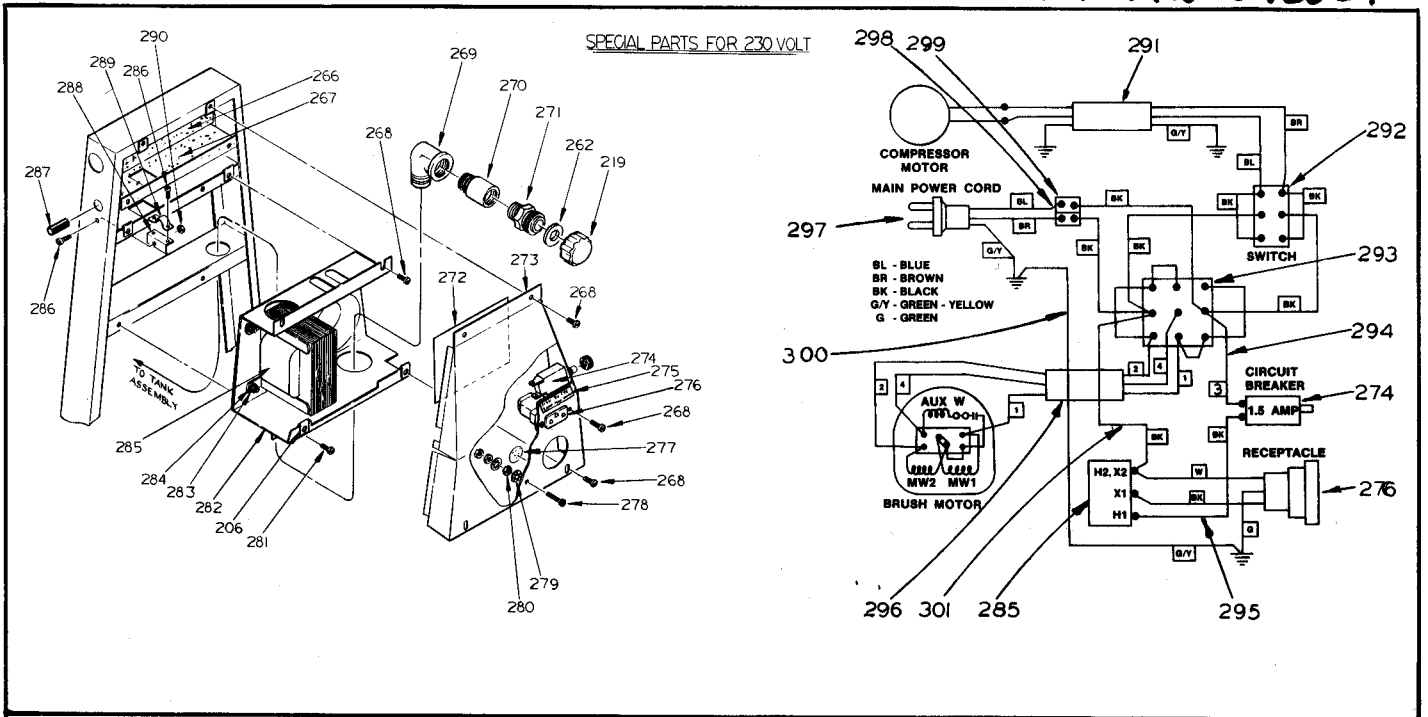
| <u>Description</u> | <u>Location</u> | <u>Page</u> |
|--------------------|-----------------|-------------|
| Base | B10 | 1 |
| Compressor | B14 | 5 |
| Handle | B12 | 3 |



BASE ASSEMBLY

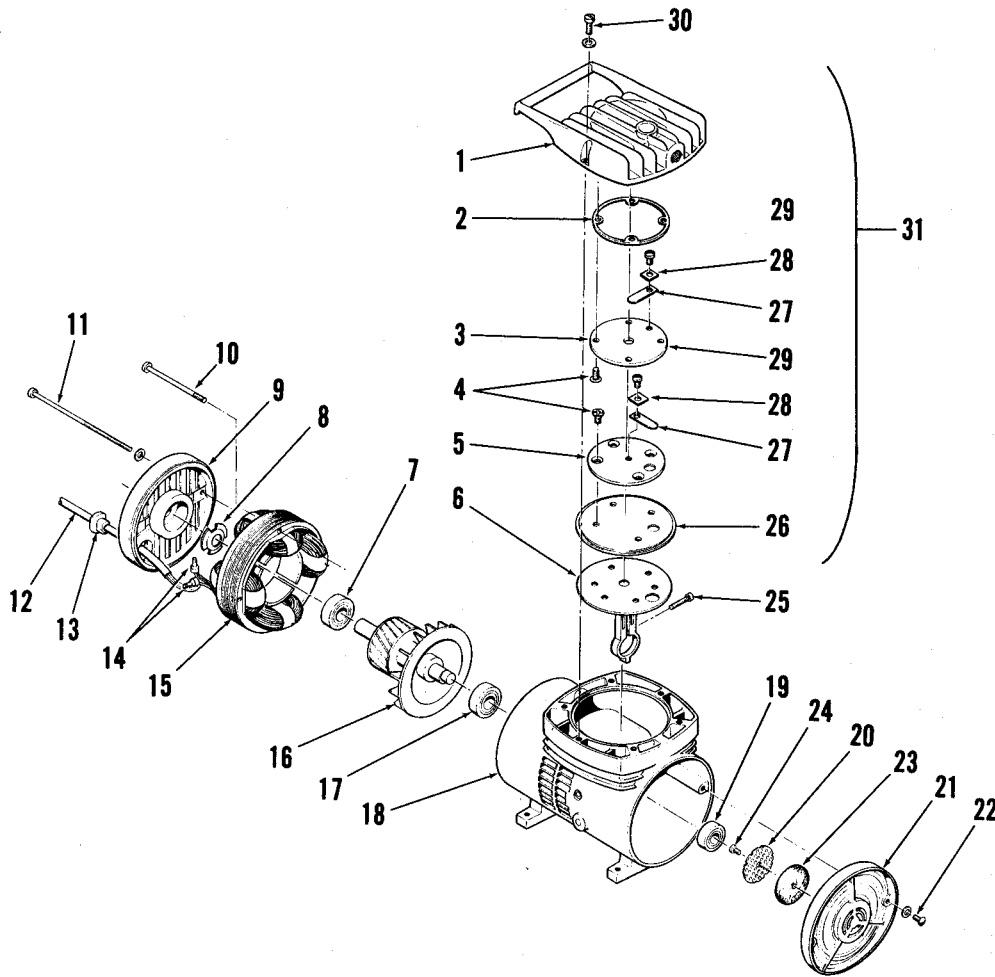
| ITEM | PART NO | QTY | DESCRIPTION | ITEM | PART NO | QTY | DESCRIPTION |
|------|---------|-----|-----------------------------|------|---------|-----|--|
| 101 | 244 800 | 1 | COVER WELDMENT | 188 | 245 192 | 1 | BLOCK, PIVOT |
| 102 | | 4 | SCREW, PAN HD. 8-32 X 5/16 | 189 | 470 662 | 1 | PULLEY |
| 103 | | 1 | SPRING PIN, 1/8 X 5/8 | 190 | 106 070 | 1 | BEARING, BALL |
| 104 | 023 092 | 1 | DECAL | 191 | 245 199 | 1 | SHAFT |
| 105 | 217 972 | 1 | KNOB | 192 | 245 188 | 1 | BRACKET |
| 106 | | 1 | GROOV-PIN, 1/8 X 1 | 193 | 151 041 | 1 | WASHER, SPRING |
| 107 | 244 861 | 1 | SCREW | 194 | | 1 | SCREW, SOCKET SET 1/4-20 X 5/8 |
| 108 | 245 022 | 1 | COLLAR | 195 | 171 177 | 1 | SPRING |
| 109 | 478 775 | 2 | RETAINING RING | 196 | | 1 | SCREW, RD. HD. 5/16-18 X 3 1/2 |
| 110 | 244 836 | 1 | WEAR STRIP | 197 | | 2 | WASHER, SHAKEPROOF #10 |
| 111 | | 2 | SCREW, FLAT HD. 6-32 X 5/16 | 198 | 245 185 | 1 | IDLER ASSEMBLY |
| 112 | 245 030 | 1 | SWIVEL | 199 | | 2 | SET SCREW, SOCKET 5/16-18 X 1/4 |
| 113 | 244 859 | 1 | SPACER | 100A | 245 605 | 1 | SHEAVE |
| 114 | 244 854 | 1 | ARM | 101A | 245 608 | 1 | BELT, POLY V |
| 115 | 219 169 | 1 | NUT | 102A | | 4 | WASHER, FLAT 5/16 |
| 116 | 244 869 | 1 | LEVER | 103A | 244 956 | 1 | BUMPER |
| 117 | | 2 | NUT, HEX JAM, 7/16-14 | 104A | 244 915 | 1 | SHROUD ASSEMBLY |
| 118 | | 2 | SCREW, PAN HD. 10-24 X 1/2 | 105A | 015 252 | 1 | DECAL |
| 119 | | 8 | LOCKWASHER #10 | 106A | 244 846 | 3 | CLIP |
| 120 | 244 933 | 1 | SHIELD | 107A | | 3 | SCREW, OVAL HD. 6-32 X 1/2 |
| 121 | 244 921 | 1 | PLATE | 108A | | 3 | NUT, HEX, 6-32 |
| 122 | | 2 | SCREW, FLAT HD. 10-24 X 5/8 | 109A | 153 931 | 1 | CAPACITOR (115V-60CYC.) |
| 123 | | 6 | NUT, HEX, 10-24 | | 220 918 | 1 | CAPACITOR (230V-50CYC.) |
| 124 | 244 991 | 4 | HOSE | 110A | 015 264 | 1 | DECAL (115V-60CYC.) |
| 125 | 219 932 | 2 | CLAMP, HOSE | | 015 164 | 1 | DECAL (230V-50CYC.) |
| 126 | 155 640 | 1 | BARB | 111A | 217 832 | 1 | MOTOR, 115V |
| 127 | 340 782 | 1 | ELBOW | | 218 529 | 1 | MOTOR, 230V |
| 128 | 218 510 | 2 | CHECK VALVE | 112A | 321 737 | 2 | WIRE NUT |
| 129 | 220 526 | 1 | COUPLING | 113A | 022 039 | 1 | DECAL, 115V, 60 HZ |
| 130 | 219 798 | 1 | STREET ELBOW | | 022 047 | 1 | DECAL, 230V, 50 HZ |
| 131 | 257 990 | 1 | RELIEF VALVE | 114A | 217 867 | 1 | COMPRESSOR, 115V, 50 HZ |
| 132 | 244 832 | 4 | WASHER | | 219 215 | 1 | COMPRESSOR, 230V, 60 HZ |
| 133 | 230 448 | 2 | WHEEL ASSEMBLY | 115A | 244 834 | 1 | CAM |
| 134 | 219 274 | 2 | AXLE | 116A | 244 937 | 1 | BUSHING |
| 135 | 245 049 | 1 | WIRE ASSEMBLY | 117A | | 1 | SCREW, TRUSS HD. 5/16-18 X 7/8 |
| 136 | | 2 | SCREW, PAN HD. 10-24 X 3/16 | 118A | 244 939 | 1 | PIN |
| 137 | | 2 | SET SCREW, SOC. 10-24 X 1/4 | 119A | 321 087 | 1 | SPRING |
| 138 | | 2 | SCREW, PAN HD. 8-32 X 3/4 | 120A | | 1 | SCREW, TRUSS HD. 5/16-18 X 2 |
| 139 | | 6 | NUT, HEX 8-32 | 121A | 244 941 | 1 | BUSHING |
| 140 | 244 873 | 1 | PIN | 122A | 244 936 | 1 | LATCH |
| 141 | 244 865 | 1 | PIN | 123A | | 1 | NUT, WHIZ 1/4-20 |
| 142 | 321 427 | 2 | RETAINING RING | 124A | 151 122 | 1 | PIN |
| 143 | 244 884 | 1 | BRACKET | 125A | 244 945 | 1 | LATCH ASSEMBLY |
| 144 | | 4 | SPRING PIN, 3/16 X 1 | 126A | 244 904 | 1 | BASE |
| 145 | 244 896 | 1 | SHAFT | 127A | | 2 | SCREW, FLAT HD. 10-24 X 3/8 |
| 146 | 244 877 | 2 | PIN | 128A | | 2 | SCREW, FLAT HD. SOC. 5/16-18 X 3/4 |
| 147 | 217 948 | 2 | ROLLER | 129A | 218 111 | 1 | SUPPORT |
| 148 | 218 146 | 1 | BUSHING | 130A | | 1 | SPRING PIN, 3/16 X 7/8 |
| 149 | | 9 | LOCKWASHER, 5/16 | 131A | 244 858 | 1 | PIN |
| 150 | | 8 | SCREW, HEX, 5/16-18 X 1/2 | 132A | | 1 | NUT, HEX. 5/16-18 |
| 151 | 218 049 | 3 | SEAL | 133A | 379 301 | 1 | SPRING |
| 152 | 220 108 | 2 | SPACER | 134A | 245 081 | 1 | BRACKET |
| 153 | 372 773 | 2 | BEARING | 135A | | 1 | SCREW, PAN HD., SELF TAPPING, 8-32 X 3/4 |
| 154 | 244 930 | 1 | SLEEVE ASSEMBLY | | | | |
| 155 | 244 928 | 1 | BRUSH | | | | |
| 156 | 218 073 | 2 | CAPSCREW | | | | |
| 157 | 368 997 | 2 | BUSHING | | | | |
| 158 | 244 926 | 1 | SHAFT | | | | |
| 159 | 218 448 | 1 | RETAINING RING | | | | |
| 160 | 217 875 | 1 | SEAL | | | | |
| 161 | 220 965 | 1 | WASHER | | | | |
| 162 | 245 602 | 1 | SHEAVE | | | | |
| 163 | 217 999 | 1 | RETAINING RING | | | | |
| 164 | 244 899 | 1 | SHIELD ASSEMBLY | | | | |
| 165 | 244 961 | 1 | BRUSH ASSEMBLY | | | | |
| 166 | 218 881 | 1 | BRUSH | | | | |
| 167 | 220 426 | 1 | FUNNEL | | | | |
| 168 | 244 905 | 1 | GASKET | | | | |
| 169 | | 7 | SCREW, PAN HD. 10-24 X 5/8 | | | | |
| 170 | 244 903 | 1 | GASKET | | | | |
| 171 | 245 092 | 1 | GASKET | | | | |
| 172 | 245 014 | 2 | PLUG | | | | |
| 173 | 245 079 | 1 | MANIFOLD ASSEMBLY | | | | |
| 174 | | 4 | SCREW, PAN HD. 8-32 X 3/8 | | | | |
| 175 | 245 076 | 1 | STRAP | | | | |
| 176 | 244 969 | 4 | CLAMP, HOSE | | | | |
| 177 | 245 018 | 1 | TUBE | | | | |
| 178 | | 2 | SCREW, PAN HD. 10-24 X 3/8 | | | | |
| 179 | 245 010 | 1 | SPRING | | | | |
| 180 | 245 077 | 1 | PLATE | | | | |
| 181 | | 2 | SCREW, FLAT HD. 10-24 X 1/2 | | | | |
| 182 | 245 195 | 1 | PLATE | | | | |
| 183 | | 6 | SCREW, HEX HD. 1/4-20 X 1/2 | | | | |
| 184 | | 4 | LOCKWASHER 1/4" | | | | |
| 185 | 245 193 | 1 | PLATE | | | | |
| 186 | 163 872 | 2 | BUSHING | | | | |
| 187 | | 4 | SCREW, PAN HD. 10-24 X 5/8 | | | | |

TSB
519,
G-11



HANDLE ASSEMBLY

| ITEM | PART NO | QTY | DESCRIPTION | ITEM | PART NO | QTY | DESCRIPTION |
|------|---------|-----|--|------|---------|-----|---------------------------|
| 201 | 015 264 | 1 | DECAL, "WIRING DIAGRAM" | 288 | 300 540 | 1 | BRACKET |
| 202 | 244 977 | 1 | COVER | 289 | 300 542 | 1 | CORD CLAMP |
| 203 | | 4 | SCREW, PAN HD. #6-32 X 3/8 | 290 | | 1 | NUT, HEX #8-32 |
| 204 | 015 064 | 1 | DECAL | 291 | 244 829 | 1 | CORD ASSEMBLY |
| 205 | 015 251 | 1 | DECAL | 292 | 468 350 | 1 | SWITCH, TOGGLE |
| 206 | 322 504 | 4 | NUT | 293 | 221 155 | 1 | SWITCH, FORWARD & REVERSE |
| 207 | 245 044 | 1 | HANDLE | 294 | 386 955 | 1 | WIRE ASSEMBLY #14 X 8 |
| 208 | 219 886 | 1 | SLEEVE | 295 | 245 232 | 1 | WIRE ASSEMBLY #14 X 7.50 |
| 209 | 015 121 | 1 | DECAL | 296 | 245 043 | 1 | CORD SET |
| 210 | 015 263 | 1 | DECAL | 297 | 244 835 | 1 | CORD SET, MAIN POWER |
| 211 | 015 269 | 1 | DECAL | 298 | 324 471 | 2 | TERMINAL BLOCK |
| 212 | | 2 | SCREW, PAN HD. #10-24 X 1/4 | 299 | 324 470 | 1 | END CAP |
| 213 | 325 168 | 1 | HOOK, CORD | 300 | 245 234 | 1 | WIRE ASSY. 14 X 9.0 |
| 214 | | 2 | NUT, WHIZ-LOC #10-24 | 301 | 478 708 | 1 | WIRE ASSY #14 X 6.0 |
| 215 | 342 319 | 3 | CLAMP | | | | |
| 216 | | 2 | SCREW, PAN HD. #8-32 X 1/4 S.T. | | | | |
| 217 | 245 041 | 2 | STRAP | | | | |
| 218 | 245 013 | 2 | BUCKLE | | | | |
| 219 | 255 076 | 2 | CAP | | | | |
| 220 | 244 980 | 1 | ADAPTOR | | | | |
| 221 | 244 991 | 1 | HOSE | | | | |
| 222 | 219 932 | 2 | CLAMP, HOSE | | | | |
| 223 | 244 987 | 1 | BUBBLER FITTING | | | | |
| 224 | | 7 | SCREW, PAN HD. #8-32 X 3/8 | | | | |
| 225 | 244 992 | 1 | SHROUD | | | | |
| 226 | 015 326 | 1 | DECAL | | | | |
| 227 | 244 830 | 1 | CORD ASSEMBLY | | | | |
| 228 | 162 736 | 1 | STRAIN RELIEF | | | | |
| 229 | 200 433 | 1 | WASHER | | | | |
| 230 | 200 441 | 1 | NUT | | | | |
| 231 | 244 826 | 1 | CORD ASSEMBLY | | | | |
| 232 | 251 615 | 1 | WIRE | | | | |
| 233 | 245 063 | 1 | RECEPTACLE | | | | |
| 234 | | 1 | SCREW, PAN HD. #8-32 X 7/8 | | | | |
| 235 | | 2 | SCREW, SOC. HD. #6-32 X 3/8 | | | | |
| 236 | | 1 | SCREW, PAN HD. #10-24 X 1/2 | | | | |
| 237 | 369 004 | 1 | BUSHING | | | | |
| 238 | 245 060 | 1 | SPRING | | | | |
| 239 | | 1 | NUT, HEX #10-24 | | | | |
| 240 | 244 996 | 1 | LINK | | | | |
| 241 | | 2 | PIN, COTTER 1/16 X 1/2 | | | | |
| 242 | | 1 | SPRING PIN 1/8 X 1" | | | | |
| 243 | 245 004 | 1 | PIN | | | | |
| 244 | 245 002 | 1 | PIN | | | | |
| 245 | 514 085 | 2 | GRIP | | | | |
| 246 | 245 000 | 1 | PLATE | | | | |
| 247 | 245 042 | 1 | CORD ASSEMBLY | | | | |
| 248 | 321 737 | 1 | WIRE NUT | | | | |
| 249 | 221 155 | 1 | SWITCH | | | | |
| 250 | 217 859 | 1 | SWITCH, TOGGLE | | | | |
| 251 | 255 874 | 10 | NUT | | | | |
| 252 | 245 072 | 1 | ELBOW | | | | |
| 253 | 245 074 | 1 | ADAPTOR | | | | |
| 254 | 245 078 | 1 | VALVE | | | | |
| 255 | 244 866 | 1 | CAP | | | | |
| 256 | 244 979 | 1 | GASKET | | | | |
| 257 | 244 969 | 2 | CLAMP | | | | |
| 258 | 244 976 | 1 | TUBE WELDMENT | | | | |
| 259 | 245 018 | 1 | TUBE | | | | |
| 260 | 244 851 | 1 | TANK | | | | |
| 261 | 244 964 | 1 | TANK ASSEMBLY | | | | |
| 262 | 368 776 | 2 | WASHER, RUBBER | | | | |
| 263 | | 4 | NUT, HEX #8-32 | | | | |
| 264 | 325 274 | 1 | WASHER, CUPPED | | | | |
| 265 | 325 276 | 1 | WASHER | | | | |
| 266 | 244 952 | 1 | INSULATOR | | | | |
| 267 | 244 955 | 1 | INSULATOR | | | | |
| 268 | | 8 | SCREW, PAN HD. #8-32 X 3/8 | | | | |
| 269 | 228 266 | 1 | ELBOW ST. 1/2 X 90 PVC | | | | |
| 270 | 245 074 | 1 | ADAPTOR 1/2 X 1/2 AL | | | | |
| 271 | 244 980 | 1 | ADAPTOR GHTX 1/2 NYLON | | | | |
| 272 | 015 280 | 1 | DECAL, WIRING | | | | |
| 273 | 245 248 | 1 | COVER | | | | |
| 274 | 290 425 | 1 | BREAKER, CIRCUIT 1.5 AMP | | | | |
| 275 | 015 278 | 1 | DECAL, INSTRUCTION | | | | |
| 276 | 245 230 | 1 | RECEPTICAL ASSEMBLY | | | | |
| 277 | 014 119 | 1 | GROUND SYMBOL | | | | |
| 278 | | 1 | SCREW, PAN HD. #10-24 X 5/8 | | | | |
| 279 | | 2 | WASHER, SHAKEPROOF #10 | | | | |
| 280 | | 3 | NUT, HEX #10-24 | | | | |
| 281 | | 2 | SCREW, PAN HD. SELF-TAP #8-32 X 3/8 | | | | |
| 282 | 245 246 | 1 | BRACKET | | | | |
| 283 | | 4 | NUT, HEX #8-32 | | | | |
| 284 | | 4 | WASHER, LOCK | | | | |
| 285 | 254 096 | 1 | TRANSFORMER | | | | |
| 286 | | 3 | SCREW, PAN HD. #8-32 X 1/2 | | | | |
| 287 | 300 601 | 3 | TUBE | | | | |



| ITEM | PART NO. | Qty. | DESCRIPTION | ITEM | PART NO. | Qty. | DESCRIPTION |
|------|----------|------|---|------|----------|------|--|
| 1 | 220 951 | 1 | HEAD | 16 | 220 534 | 1 | SHAFT & ROTOR ASSEMBLY |
| 2 | 220 953 | 1 | GASKET | 17 | 220 529 | 1 | BEARING, Ball Housing |
| 3 | 220 930 | 1 | PLATE, Exhaust Valve | 18 | 220 517 | 1 | HOUSING |
| 4 | | 8 | SCREW, Flat, Phillips Hd. 8-32 x 3/8 | 19 | 220 528 | 1 | BEARING, Connecting Rod |
| 5 | 220 958 | 1 | PLATE, Intake Valve | 20 | 220 516 | 1 | SCREEN |
| 6 | 220 536 | 1 | ROD, Connecting | 21 | 220 967 | 1 | COVER, Front |
| 7 | 220 530 | 1 | BEARING, Ball End Cap | 22 | | 2 | SCREW, Rd. Hd. 10-24 X 3/4 |
| 8 | 220 533 | 1 | LOAD SPRING | 23 | 220 513 | 1 | FILTER |
| 9 | 220 535 | 1 | END CAP | 24 | | 1 | SCREW, Pan Hd. Self Tapping 8-32 X 7/32 |
| 10 | 220 522 | 2 | SCREW | 25 | | 1 | SCREW, Socket Cap 10-24 X 3/4 |
| 11 | 220 509 | 2 | SCREW | 26 | 220 950 | 1 | DIAPHRAGM |
| 12 | 220 511 | 1 | CORD | 27 | 220 955 | 2 | FLAPPER, Valve |
| 13 | 163 015 | 1 | STRAIN RELIEF | 28 | 220 963 | 2 | VALVEKEEP STRIP |
| 14 | 321 737 | 2 | WIRE NUT | 29 | | 2 | SCREW, Rd. Hd. 6-32 X 1/8 |
| 15 | 220 518 | 1 | STATOR, 115V (60 Cycle) | 30 | | 6 | SCREW, Fillister Hd. 10-24 X 1/2 |
| | 220 519 | 1 | STATOR, 230V (50 Cycle) | 31 | 217 867 | 1 | COMPRESSOR ASSEMBLY 115V (60 Cycle) |
| | | | | | 219 215 | 1 | COMPRESSOR ASSEMBLY 230V (50 cycle) |